

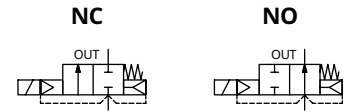
ASCO™ 2-Way NC, NO Solenoid Valves

Pilot Operated Floating Piston for High Pressure Fluids | 1/4" and 3/4"

Series
223

Features and Benefits

- Heavy duty two way shut-off solenoid valves for control of air, inert gas, water, oil and other gases/liquids compatible with the seal materials used
- Valves require a minimum operating pressure
- The solenoid valves satisfy all relevant CE and UKCA directives



General

Differential pressure See «SPECIFICATIONS» [1 bar =100 kPa]
Maximum viscosity 65 cSt (mm²/s)
Response time 15 - 60 ms

Fluids (*)	Temperature range (TS)	Seal materials (*)
air, inert gas, water, oil	-20°C to +90°C	PTFE/NBR

Materials in Contact with Fluid

(*) Ensure that the compatibility of the fluids in contact with the materials is verified

	Brass body	Stainless steel body
Body	Brass	AISI 304 Stainless steel
Core tube	Stainless steel	Stainless steel
Core and plugnut	Stainless steel	Stainless steel
Springs	Stainless steel	Stainless steel
Seat	Brass	Stainless steel
Core disc	NBR or PTFE	PTFE
Seals	NBR	NBR
Piston	Stainless steel	Stainless steel
Piston disc	PTFE	PTFE
Piston rings	PTFE (carbon filled)	PTFE (carbon filled)
Shading coils	Copper	Silver



Electrical Characteristics

Coil insulation class	F
Connector	Spade plug (cable Ø 6-10 mm)
Connector specification	ISO 4400 / EN 175301-803, form A
Electrical safety	IEC 335
Electrical enclosure protection	Moulded IP65 (EN 60529)
Standard voltages	DC (=) : 24V - 48V
(Other voltages and 60 Hz on request)	AC (-) : 24V - 48V - 115V - 230V / 50 Hz

ASCO™ 2-Way NC, NO Solenoid Valves

Pilot Operated Floating Piston for High Pressure Fluids | 1/4" and 3/4"

Series
223

Prefix option	Power ratings				Operator ambient temperature range (TS)	Replacement coil		Type ¹
	Inrush ~	Holding ~		Hot/Cold		-	=	
	(VA)	(VA)	(W)	(W)	(C°)	230 V/50 Hz	24 V DC	
SC	55	23	10.5	9/11.2	-20 to +75	400425-117	400425-142	01
	78	35	16.7	-	-20 to +50	400425-217	-	01
	-	-	-	14/19.7	-20 to +25	-	400425-342	01
	110	33.6	15.4	12/16.8	-20 to +75	400525-117	400625-142	02
	240	43	20	16.8/23	-20 to +50	400525-217	400625-242	02

1 For dimensions, see drawing(s) for each construction type on the following page(s)

Pipe size	Orifice size	flow coefficient Kv		operating pressure differential (bar)								power coil (W)		catalogue number		options		
				min.	max. (PS)						brass					Stainless steel	FPM	EPDM
					air (*)	water (*)		oil (*)		~		=	~	=				
NC - Normally Closed																		
Rp 1/4"	8	1.3	21.7	0.7	50	30	50	30	50	30	10.5	11.2	SCE223A421	SCE223A404	V	E	T	
				0.7	100	40	100	40	100	40	16.7	19.7	SCE223A425	SCE223A406	V	E	T	
Rp 3/8"	8	1.3	21.7	0.7	50	30	50	30	50	30	10.5	11.2	SCE223A423	SCE223A407	V	E	T	
				0.7	100	40	100	40	100	40	16.7	19.7	SCE223A427	SCE223A408	V	E	T	
Rp 1/2"	9	2.7	45	1.8	50	30	50	30	50	30	10.5	11.2	SCE223A422	SCE223A409	V	E	T	
				1.8	100	40	100	40	100	40	16.7	19.7	SCE223A403	SCE223A410	V	E	T	
Rp 3/4"	19	6.7	112	1.8	20	20	20	20	20	20	10.5	11.2	SCE223A424	SCE223A411	V	E	T	
				1.8	50	40	50	40	50	40	16.7	19.7	SCE223A405	SCE223A412	V	E	T	
NO - Normally Open																		
Rp 1/4"	8	1.3	21.7	0.7	40	40	40	40	40	40	15.4	16.8	SCE223A525	SCE223A506	V	E	T	
Rp 3/8"	8	1.3	21.7	0.7	40	40	40	40	40	40	15.4	16.8	SCE223A527	SCE223A508	V	E	T	
Rp 1/2"	9	2.7	45	1.8	40	40	40	40	40	40	15.4	16.8	SCE223A503	SCE223A510	V	E	T	
Rp 3/4"	19	6.7	112	1.8	40	40	40	40	40	40	15.4	23.0	SCE223A505	SCE223A512	V	E	T	

Options

- Valves can also be supplied with FPM (fluor elastomer), EPDM (ethylene-propylene), CR (chloroprene) and PTFE seals and discs. Use the appropriate optional suffix letter for identification.
- Waterproof enclosure with embedded screw terminal coil according to protection class IP67.
- Explosionproof enclosures for use in zones 1/21-2/22, categories 2-3 to ATEX Directive 2014/34/EU (see "Explosionproof solenoids" section)
- Electrical enclosures according to "NEMA" standards are available
- Compliance with "UL", "CSA" and other local approvals available on request
- Other pipe connections are available on request
- Connector plug with visual indication and peak voltage suppression or with cable length of 2 m (see Solenoids, Coils & Accessories section)

Installation

- The solenoid valves can be mounted in any position without affecting operation
- Pipe thread connection identifier is 8 = NPT (ANSI 1.20.3)
- Installation/maintenance instructions are included with each valve

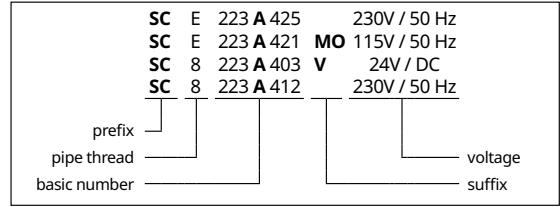
ASCO™ 2-Way NC, NO Solenoid Valves

Pilot Operated Floating Piston for High Pressure Fluids | 1/4" and 3/4"

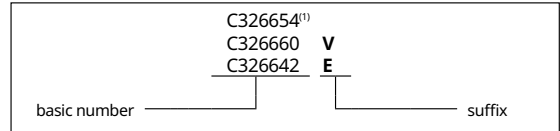
**Series
223**

Spare parts kit & Accessories		
Catalog number	spare part kit no.	
	~	=
SCE223A403	C326654	C326653
SCE223A404	C326642	C326642
SCE223A405	C326655	C326655
SCE223A406	C326643	C326642
SCE223A407	C326642	C326642
SCE223A408	C326643	C326642
SCE223A409	C326653	C326653
SCE223A410	C326654	C326653
SCE223A411	C326655	C326655
SCE223A412	C326655	C326655
SCE223A421	C326642	C326642
SCE223A422	C326653	C326653
SCE223A423	C326642	C326642
SCE223A424	C326655	C326655
SCE223A425	C326643	C326642
SCE223A427	C326643	C326642
SCE223A503	C326658	C326659
SCE223A505	C326660	C326661
SCE223A506	C326656	C326657
SCE223A508	C326656	C326657
SCE223A510	C326658	C326659
SCE223A512	C326660	C326661
SCE223A525	C326656	C326657
SCE223A527	C326656	C326657

ORDERING EXAMPLES:



ORDERING EXAMPLES KITS:



(1) Standard prefixes/suffixes are also applicable to kits

ASCO™ 2-Way NC, NO Solenoid Valves

Series
223

Pilot Operated Floating Piston for High Pressure Fluids | 1/4" and 3/4"

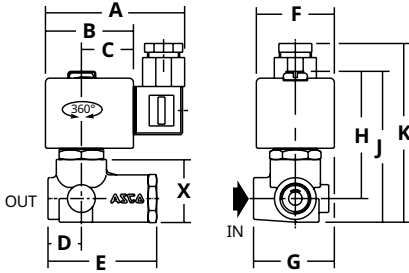
DIMENSIONS (mm), WEIGHT (kg)



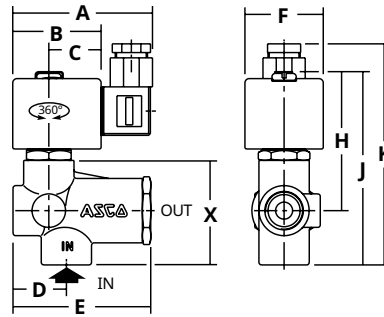
TYPE 01

Prefix "SC" Solenoid
Epoxy moulded
IEC 335 / ISO 4400
IP65

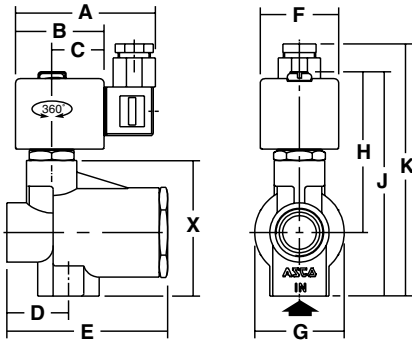
SCE223A404/A406/A407/A408 (AC/DC)
SCE223A421/A423/A425/A427 (AC/DC)



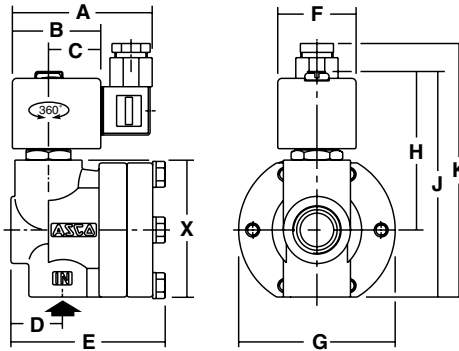
SCE223A403/A409/A410/A422 (AC/DC)



SCE223A405/A424 (AC/DC)



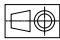
SCE223A411/A412 (AC/DC)



ASCO™ 2-Way NC, NO Solenoid Valves

Series
223

Pilot Operated Floating Piston for High Pressure Fluids | 1/4" and 3/4"

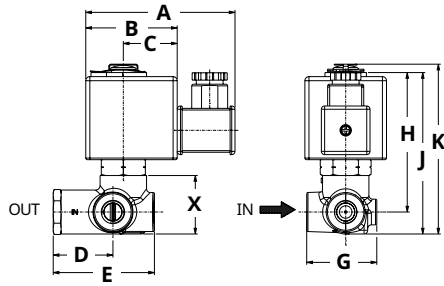
DIMENSIONS (mm), WEIGHT (kg) 



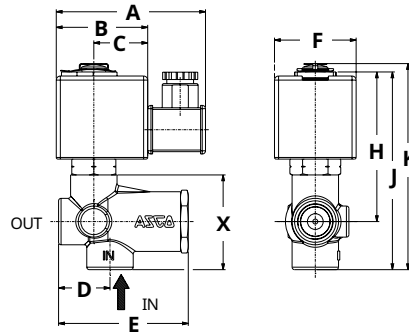
TYPE 02

Prefix "SC" Solenoid
Epoxy moulded
IEC 335 / ISO 4400
IP65

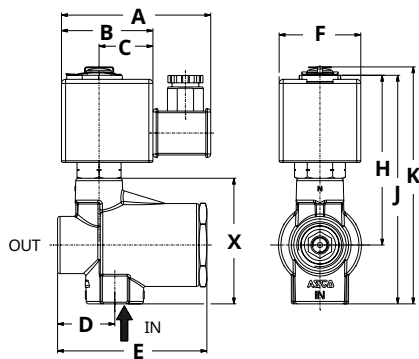
SCE223A506/A508/A525/A527 (AC/DC)



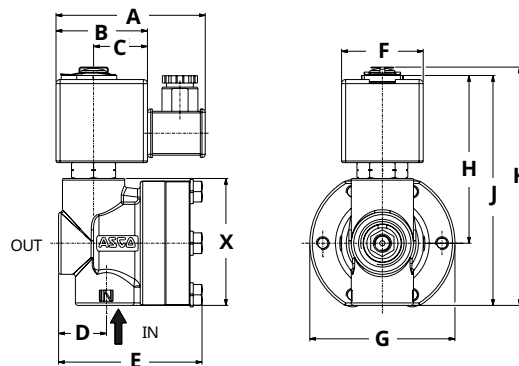
SCE223A503/A510 (AC/DC)



SCE223A505 (AC/DC)



SCE223A512 (AC/DC)



ASCO™ 2-Way NC, NO Solenoid Valves

Pilot Operated Floating Piston for High Pressure Fluids | 1/4" and 3/4"

**Series
223**

type	prefix option	catalogue number	A	B	C	D	E	F	G	H	J	K	X	weight (2)
01	SC	SCE223A403	80	50	30	31	78	45	-	78	109	126	60	0.9
		SCE223A404	80	50	30	20	65	45	46	72	86	103	37	0.7
		SCE223A405	80	50	30	34	91	45	50	91	127	144	78	1.5
		SCE223A406	80	50	30	20	65	45	46	72	86	103	37	0.7
		SCE223A407	80	50	30	20	65	45	46	72	86	103	37	0.7
		SCE223A408	80	50	30	20	65	45	46	72	86	103	37	0.7
		SCE223A409	80	50	30	31	78	45	-	78	109	126	60	0.9
		SCE223A410	80	50	30	31	78	45	-	78	109	126	60	0.9
		SCE223A411	80	50	30	29	88	45	89	88	128	143	77	2.3
		SCE223A412	80	50	30	29	88	45	89	88	128	143	77	2.3
		SCE223A421	80	50	30	20	65	45	46	72	86	103	37	0.7
		SCE223A422	80	50	30	31	78	45	-	78	109	126	60	0.9
		SCE223A423	80	50	30	20	65	45	46	72	86	103	37	0.7
		SCE223A424	80	50	30	34	91	45	50	91	127	144	78	1.5
		SCE223A425	80	50	30	20	65	45	46	72	86	103	37	0.7
		SCE223A427	80	50	30	20	65	45	46	72	86	103	37	0.7
02	SC	SCE223A503	91	56	33	31	79	50	-	92	121	126	58	0.9
		SCE223A505	91	56	33	35	91	50	-	104	140	145	77	1.5
		SCE223A506	91	56	33	37	62	50	43	85	99	104	36	0.7
		SCE223A508	91	56	33	37	62	50	43	85	99	104	36	0.7
		SCE223A510	91	56	33	31	79	50	-	92	121	126	58	0.9
		SCE223A512	91	56	33	29	88	50	89	103	141	146	78	2.3
		SCE223A525	91	56	33	37	62	50	43	85	99	104	36	0.7
		SCE223A527	91	56	33	37	62	50	43	85	99	104	36	0.7

Availability, design and specifications are subject to change without notice.
© 2023 Emerson Electric Co. All rights reserved.