



GENERAL
These Installation and Maintenance Instructions are for series 302 1...IA solenoid valves with mounting pad to ISO 15218 (CNOMO size 15 (E06,36,120N)). In case of an assembly to or installation on another valve, the Installation and Maintenance Instructions and Declarations of Conformity relating to the specific valve must be taken into account for assembling and putting the solenoid valve into operation.
Malfunction, damage or injury may occur if these instructions are not followed.
This component is not a safety accessory, it is intended only for the compliant use either as an individual component or incorporated in apparatus, machinery and installations.
All assembly, operation, use, and maintenance must be performed by qualified, authorised personnel.
Personnel working with the components must be familiar with the safety regulations and requirements relating to the components, apparatus, machinery and electrical installations (for valves, solenoid valves, electronic control equipment, air service equipment). In case of problems, please contact ASCO Numatics or one of its authorised representatives.

DESCRIPTION

The solenoid valve type 302 1...IA, is intended for fluid control.
Essential Health and Safety Requirements: Solenoid valve, type 302 1...IA, is designed in accordance with IEC and EN Standards references: 60079-0, 60079-11 and 60079-26.
Classification:

- II 1 G Ex ia IIC T6 to T4 Ga
- II 1 D Ex ia IIC T85°C to T135°C Da

 IP65 or IP67

The certificates of conformity in compliance with these standards are available at www.asconumatics.eu

EC type examination certificate no.: **INERIS 03 ATEX 0249 X**
IECEx Certificate of Conformity no.: **IECEx INE 10.0002X**

INSTALLATION

Special conditions for safe use:
ASCO Numatics components are intended to be used only within the technical characteristics specified on the nameplate or in the documentation. Changes to the equipment are only allowed after consulting the manufacturer or its representative. This solenoid valve which is equipped with an Ex ia rated solenoid operator is designed to be installed in potentially explosive atmospheres caused by gases of groups IIA, IIB and IIC, vapours or mists of group II (EPL Ga) and dusts of group III (EPL Da).

The surface temperature classification is T6-T85°C to T4-T135°C and depends on the power rating, ambient temperature and assembly of the product.
Depending on the ambient temperature/power rating, a heat resistant cable suitable for the temperature indicated on the coil must be used.

Preparation:

- Check the preliminary storage conditions required for the component. They must be in accordance with the product's specifications.
- Carefully remove the components from their packaging.
- Power off and depressurise the apparatus,** machinery, or installation designed to receive the component. Stipulate power off and depressurisation requirements to guard against any unauthorised intervention.
- Make sure that the unit, its components, and their environment are clean, and protect them against deterioration.
- In order to protect the equipment, install an adequate strainer or filter upstream from and as close as possible to the component.
- Do not modify the device.
- Make sure the solenoid valve's mating surface is clean to prevent damage to the seals.
- Make sure that the fluid is compatible with the materials it contacts.
Fluids used: air or neutral gas, filtered (50µm).
Allowable fluid temperature:
 - 0,25 W: 0°C to +40°C
 - 0,5 W: -10°C to +40°C
- This temperature may be limited by the operating tempera-

ture rating of the pilot valve or spool valve. Dew point -20°C.

- The solenoid valve must be installed in a non-corrosive, air or liquid environment.

- Ingress protection rating according to EN 60529 : IP6X

ELECTRICAL CHARACTERISTICS

DC coils (=)
type (series) 302 1...IA.
Nominal supply voltage : Umax = 28 V
Max. current consumption : I_{max} = 70 mA (12 V) or 40 mA (24 V)
Max. dissipated power : P_{max} = 1,6 W
Insulation class F (155°C) 100% E.D.

Pn	safety parameters				
	U ₀ (V)	I ₀ (mA)	P ₀ (W)	L ₀ (mH)	C ₀ (µF)
0,25 / 0,5	28	300	1,6	0	0

The solenoid valve type 302 1...IA, must be supplied with power from a voltage barrier certified for use in potentially explosive atmospheres of groups IIC, IIB or IIA and having an output circuit that is rated intrinsically safe. The valve-and-barrier combination must be compatible in terms of intrinsic safety.

To avoid electrostatic charging of the enclosure, the solenoid valve type 302 1...IA must be protected from external air currents and friction when used in zone 0 of group IIC. The voltage barrier for the equipment must have the following maximum characteristics: U₀ = 28 V ; I₀ = 300 mA or P₀ = 1,6W

Since the two parameters C₀ and L₀ of the equipment are both equal to zero, the maximum output characteristics C₀ and L₀ of the voltage barrier must exceed the effective values of C and L of the connecting cable used.
Selecting the barrier and making the interconnections are at the user's responsibility.

Pn (watt)	max. ambient °C (1)				solenoid valve mounted alone solenoid valve mounted in series
	surface temperature				
	T6 85°C	T5 100°C	T4 135°C	T4 12V/24V12V/24V12V/24V	
0,25 / 0,5	40	40	50	60	60
	-	-	-	50	50

Check the power compatibility with the selected product.
Minimum ambient temperature: -10°C (0,5 W) / 0°C (0,25 W)
This temperature may be limited by the operating temperature rating of the pilot valve or spool valve.

Calculation of operating conditions:
0,5 W:

$$I_1 \text{ (mA)} = \frac{[V_s - 1,2 - 0,003 (R_b + R_i)] \times 1000}{(R_b + R_i + R_c)} + 3$$

12 V or 24 V without LED :

$$I_1 \text{ (mA)} = \frac{[V_s - 1,2 - 0,003 (R_b + R_i)] \times 1000}{(R_b + R_i + R_c)}$$

0,25 W:
24 V with LED :

$$I_1 \text{ (mA)} = \frac{[V_s - 1,2 - 0,002 (R_b + R_i)] \times 1000}{(R_b + R_i + R_c)} + 2$$

This value (I₁) as well as the maximum current of the barrier/interface (if it is non-linear) must exceed 33 mA (12 V with LED), 25 mA (24 V with LED, 0,5 W), 20 mA (24 V with LED, 0,25 W), 30 mA (12 V without LED), 22 mA (24 V without LED).
I₁ (mA) Minimum supply current for the product



- R_b (Ω) Max. barrier resistance
- T_a (°C) Max. ambient temperature
- R_i (Ω) Max. resistance of connecting cables
- V₀ (V) Min. no-load voltage of barrier/interface
- R_c (Ω) Max. coil resistance:

$$12 \text{ V with LED} = \frac{288 (T_a + 234 + 10)}{254}$$

$$24 \text{ V with LED} = \frac{563 (T_a + 234 + 10)}{254}$$

Depending on the ambient temperature/power rating, a heat resistant cable suitable for the temperature indicated on the coil must be used.
The installer is required to proceed in accordance with European Directive 1999/92/EC and associated standards.

COMPATIBLE BARRIERS AND INTERFACES

These 12 V and 24 V DC solenoid valves are compatible with the barriers given in the table on pages 32 and 33. The 12 V DC valves that are compatible with the 24 V DC barriers are identified by the index (1).
These barriers and interfaces allow to feed the intrinsically safe solenoid valves located in explosive areas.
This equipment must be ordered from its respective manufacturers specifying that they are intended to feed intrinsically safe solenoid valves 302 1...IA, II 1 G Ex ia IIC T6 to T4 Ga, II 1 D Ex ia IIC T85°C to T135°C Da.
According to the zones and following the country legislation, apply the certification procedure relative to the association of IS products.
ASCO Numatics declines any responsibility for the use of products from other suppliers and the possible modifications of their characteristics.

ELECTRICAL INSTALLATION

The solenoid valve must be installed under the responsibility of the company operating the industrial site. The system as a whole must conform to standard EN60079-14.
Before starting any work, turn off the electrical current to power off the components.
All screw terminals must be tightened to the appropriate torque prior to operation.

Install the cable so that there is no tension on the valve body. When connecting the cables to the series 302 solenoid valves, first place all the cables in the cable trays or wireways before attaching them to the connectors.

- The electrical connection is made by
 - Detachable connector with an IP65 protection (when properly mounted). Tighten each wire on the connector's terminal to the specified torque. The tightening torque for the cable gland is 2,5 ± 0,1 N.m to ensure tightness to IP65. Catalogue number of right-angle connector, ISO 15217/DIN 43650, form C: **88130216** (cable entry dia. 4 to 6 mm). Catalogue number of right-angle connector DIN 43650, 9,4 mm, industrial standard B: **88130202** (cable entry dia. 4 to 6 mm)
 - M12 connector (+24 V DC) with an IP67 protection (when properly mounted).
- Catalogue number of right-angle connector to be wired:
 - 88130221**
 - Catalogue number of straight connector to be wired: **88130222**
- The connector delivered with each product **MUST BE MOUNTED**. If a connector is not included with the solenoid valve, the user must mount a connector certified IP6X with respect to the solenoid operating temperature range. Any other assembly/installation will invalidate the approval. Do not mount or remove the connector while the power is ON.

Operation: Before pressurising the system, first carry out an electrical test. Apply power to the coil several times and listen for the metallic «click» indicating the solenoid operator is working.
Personnel working with the components must be familiar with

electric controls, such as redundancies and feedback (electronic controls), where applicable.
Use: The coils are designed for continuous operation and may therefore become hot.
If the solenoid valve is easily accessible, provide for means of protection to prevent accidental contact that may cause burns. To avoid overheating, do not operate the solenoid valve in a confined space without sufficient ventilation

CONNECTION

- Connect all ports that may come in contact with fluids. Mount in accordance with the ISO 15218 (CNOMO size 15) mounting pad pattern. Make sure to check that all seals are placed on the mounting pad.
Pre-install the 2 M3 x 20 screws alternately and evenly up to a tightening torque of 0,3/0,5 Nm, and then tighten them to a tightening torque of 1 Nm ±0,2 (E).
- Clean the conduits that will connect to the component.
- Be sure to observe the direction of flow of the fluid.
- Use only the provided connection possibilities.
- Ensure that no foreign matter enters the circuit, in particular when making the connection leakproof.
- The manual override, which is indicated by the symbol (H), allows you to operate the valve without electrical power.
- Be sure to observe the allowed bend radius for tubing; do not restrict the ports for fluid circulation.
- Tubes and connection elements must not exert any force, torque, or strain on the product.
- Use appropriate tools and place assembly tools as close as possible to the connection point.
- Be sure to observe the recommended torque when tightening piping connections.
- Connections must be made to last.

CAUTION

Failure to stay within the electrical range of the coil rating will result in damage to or premature failure of the coil. This will also invalidate its approval for use in explosive atmospheres caused by gases or dusts.

WARNING: Unauthorised personnel is not permitted to disassemble or remove the coil or connector assembly. Take care not to damage the mating surfaces when disassembling or re-assembling the connector/coil assembly.
Wrong assembly will invalidate the approval.

OPERATION

To prevent the risk of personal injury or property damage, do not touch the coil. The coil can become hot under normal operation conditions. If the solenoid valve is easily accessible, the installer must provide protection against accidental contact. To prevent electrostatic hazard, clean coil surface with a damp cloth only. Do not use solvents.

MAINTENANCE

CAUTION: Turn off electrical power before servicing.
The installer is required to proceed in accordance with European Directive 1999/92/EC and associated standards.
There are no ATEX spare parts kits available.
The solenoid valve cannot be disassembled or adjusted.
Do not remove the coil from the pneumatic part of the solenoid valve.

DISASSEMBLY/REASSEMBLY OF SOLENOID VALVE CONNECTOR:

This operation must be carried out by suitably qualified personnel.
Unscrew and remove the connector.
Reassemble in the reverse order of disassembly (make sure to observe the tightening torque (A)).
The solenoid valve and the assembly consisting of the seal and the connector must be completely re-assembled for IP65/IP67 protection to be certified.

Wrong assembly will invalidate the approval.
In case of replacement of parts by the user, the traceability of the final product cannot be guaranteed by ASCO Numatics and must be ensured by the user.

512366-001 / A Availability, design and specifications are subject to change without notice. All rights reserved.

GENERALITES
 Cette fiche d'instructions d'installation et d'entretien porte sur l'électrovanne de pilotage série 302 1...IA, à plan de pose ISO 15218 (ONOMO taille 15 (E36.36.120N)). Dans le cas d'assemblage/montage sur un distributeur tenir compte des autres fiches d'installation et d'entretien et déclarations de conformité pour installer et mettre en service l'électrovanne.

Le non respect des points mentionnés ci-dessous peut être à l'origine de dysfonctionnements, de dommages ou de blessures.

Le présent composant n'est pas un accessoire de sécurité, il est destiné uniquement à une utilisation conforme, individuelle ou intégrée dans des appareils, des machines et des installations.

Les opérations de montage, mise en service, utilisation et maintenance doivent être réalisées par un personnel qualifié et autorisé.

Le personnel intervenant sur ces composants doit être familiarisé avec les règles de sécurité et exigences en vigueur concernant les composants, appareils, machines et installations électriques (pour vannes, électrovannes, commandes électroniques, traitement de l'air). En cas de problème veuillez contacter ASCO Numatics ou ses représentants officiels.

DESCRIPTION

L'électrovanne type 302 1...IA, est destinée à la commande de fluides.

Exigences essentielles en ce qui concerne la sécurité et la santé : L'électrovanne (type 302 1...IA) est conçue selon les normes CEI et EN références : 60079-0, 60079-11 et 60079-26.

Classification : II 1 G Ex ia IIC T6 à T4 Ga
 II 1 D Ex ia IIC T85°C à T135°C Da
 IP65 ou IP67

Tous les certificats de conformités relatifs à ces normes sont disponibles sur www.asconumatics.eu N° de l'attestation CE de type : **INERIS 03 ATEX 0249 X** IECEx Certificat de conformité no.: **IECEx INE 10.0002X**

INSTALLATION

Conditions spéciales pour une utilisation sûre :

La classification de température de surface est T6 à T4, elle dépend de la puissance, de la température ambiante et du montage du produit. Les composants ASCO Numatics sont conçus pour les domaines de fonctionnement indiqués sur la plaque signalétique ou la documentation. Aucune modification ne peut être réalisée sur le matériel sans l'accord préalable du fabricant ou de son représentant.

Cette électrovanne équipée d'une tête magnétique Ex ia est prévue pour être installée dans des atmosphères potentiellement explosibles, contenant des gaz des groupes IIA, IIB et IIC, des vapeurs ou des brouillards du groupe II (EPL Ga), des poussières du groupe III (EPL Da).

La classification de température de surface est T6-T85°C à T4-T135°C, elle dépend de la puissance, de la température ambiante et du montage du produit.

En fonction de la température ambiante / de la puissance, un câble résistant à la chaleur, approprié à la température indiquée sur la plaque signalétique, doit être utilisé.

L'électrovanne type 302 1...IA, est destinée à la commande de fluides.

Préparation :

- Veiller aux conditions préalables de stockage du composant.
- Elles doivent être en accord avec les spécifications du produit.
- Retirer les composants de l'emballage avec précaution.
- **Mettre hors tension et hors pression l'appareil,** la machine ou l'installation destinée à recevoir le composant. Consigner cette mise hors tension et pression pour éviter toute intervention non autorisée.
- S'assurer de la propreté du corps, de ses composants et de leur environnement, les protéger contre toute détérioration.
- Afin de protéger le matériel, installer une crépine ou un filtre adéquat en amont, aussi près que possible du composant.
- Ne pas procéder à des modifications de l'appareil.
- S'assurer à la propreté du plan de pose de l'électrovanne afin de ne pas endommager les joints d'étanchéité.
- Vérifier la compatibilité du fluide avec les matériaux en contact. Fluides utilisés : air ou gaz neutres, filtrés à 50µm.

Température du fluide admissible :

0,25 W : 0°C à +40°C

0,5 W : -10°C à +40°C

Cette température peut être limitée par la plage de température de fonctionnement de la vanne ou du distributeur.

Point de rosé -20°C.

- L'électrovanne doit être placée dans un environnement non-corrosif, air ou liquide
- Indice de protection suivant EN 60529 : IP6X

CARACTERISTIQUES ELECTRIQUES

Bobines CC (=)

type (série) 302 1...IA.

Tension nominale d'alimentation : U_{max} = 28 V

Courant absorbé : I_{max} = 70 mA (12 V) ou 40 mA (24 V)

Puissance maximale dissipée : P_{max} = 1,6 W

Classe d'isolation F (155°C) 100% E.D.

Pn	paramètres sécurité				
	U ₀ (V)	I ₀ (mA)	P ₀ (W)	L ₀ (mH)	C ₀ (µF)
0,25 / 0,5	28	300	1,6	0	0

L'électrovanne type 302 1...IA, doit être alimentée à partir d'une source de tension d'un type certifié pour une utilisation dans les atmosphères explosibles des groupes IIC, IIB ou IIA et son circuit de sortie reconnu de sécurité intrinsèque. Leur association doit être compatible du point de vue de la sécurité intrinsèque.

Dans le cas d'une utilisation dans les zones 0 du groupe IIC, l'électrovanne type 302 1...IA, doit être protégée contre le flux d'air environnant et les frottements de façon à éviter toutes charges électrostatiques de l'enveloppe en matériau synthétique. La source de tension, pouvant alimenter le matériel, possède les caractéristiques maximales suivantes : U₀ = 28 V ; I₀ = 300 mA ou P₀ = 1,6W

Les paramètres apparents Ci et Li du matériel étant tous deux égaux à zéro, les caractéristiques maximales de sortie Co et Le de la source de tension doivent être supérieures aux valeurs C linéique et L linéique du câble de raccordement utilisé.

Le choix de la barrière ainsi que la réalisation des interconnexions est sous la responsabilité de l'utilisateur.

Pn (watt)	ambiance maxi °C (1)						électrovanne montée seule
	température de surface						
	T6 85°C	T5 100°C	T4 135°C				
	12V [24V]	12V [24V]	12V [24V]	12V [24V]			
0,25 / 0,5	40	40	50	60	60	60	électrovanne montée en batterie
	-	-	-	-	50	50	

Vérifier que la puissance soit compatible avec le produit sélectionné.
Température ambiante minimum : -10°C (0,5 W) / 0°C (0,25 W)
 Cette température peut être limitée par la plage de température de fonctionnement de la vanne ou du distributeur.

Calcul des conditions de fonctionnement :

0,5 W :

12 V ou 24 V avec LED :

$$I_i \text{ (mA)} = \frac{[V_s - 1,2 - 0,003 (R_c + R_i)] \times 1000}{(R_c + R_i + R_b)} + 3$$

12 V ou 24 V sans LED :

$$I_i \text{ (mA)} = \frac{[V_s - 1,2 - 0,003 (R_c + R_i)] \times 1000}{(R_c + R_i + R_b)}$$

0,25 W :

24 V avec LED :

$$I_i \text{ (mA)} = \frac{[V_s - 1,2 - 0,002 (R_c + R_i)] \times 1000}{(R_c + R_i + R_b)} + 2$$

Cette valeur (I_i), ainsi que le courant maximum de la barrière/interface (si celle-ci est non linéaire), doivent être supérieurs à

33 mA (12 V avec LED), 25 mA (24 V avec LED, 0,5 W), 20 mA (24 V avec LED, 0,25 W), 30 mA (12 V sans LED), 22 mA (24 V sans LED).

I_i (mA) Courant minimum d'alimentation du produit

R_c (Ω) Résistance barrière maximum

T_a (°C) Température ambiante maximum

R_i (Ω) Résistance maximum des câbles de liaison

V₀ (V) Tension minimum à vide de la barrière/interface

R_b (Ω) Résistance maximum bobine :

$$12 \text{ V avec ou sans LED} = \frac{288 (T_a + 234 + 10)}{254}$$

$$24 \text{ V avec ou sans LED} = \frac{563 (T_a + 234 + 10)}{254}$$

En fonction de la température ambiante / de la puissance, un câble résistant à la chaleur, approprié à la température indiquée sur la bobine, doit être utilisé.

Lors de l'installation, l'installateur est tenu de suivre les recommandations de la directive 1999/92/CE et normes associées.

BARRIERES ET INTERFACES COMPATIBLES

Ces électrovannes 12 V et 24 V CC sont compatibles avec les barrières des tableaux pages 32 et 33. Le repère (1) indique les versions 12 V CC compatible avec les barrières 24 V CC. Ces barrières et interfaces permettent d'alimenter les électrovannes de sécurité intrinsèque installées en zones dangereuses.

Ces équipements sont à approvisionner auprès d'un des constructeurs mentionnés, en précisant que ces matériels sont destinés à alimenter des mini-électrovannes 302 1...IA, de sécurité intrinsèque, II 1 G Ex ia IIC T6 à T4 Ga, II 1 D Ex ia IIC T85°C à T135°C Da.

En fonction des zones, appliquer suivant la législation en vigueur du pays, les procédures d'homologation relative à l'association de produits SI.

ASCO Numatics décline toute responsabilité quant à l'utilisation des produits d'autres fournisseurs et des éventuelles modifications de leurs caractéristiques.

INSTALLATION ELECTRIQUE

L'installation de l'électrovanne est effectuée sous responsabilité de la société exploitante du site industriel. L'ensemble du système devra être conforme à la norme EN60079-14.

Avant toute intervention, couper l'alimentation électrique pour mettre hors tension les composants.

Toutes les bornes à vis doivent être serrées au couple de serrage approprié avant la mise en service.

⚠ Mettre en place le câble de raccordement de manière à ne pas provoquer de traction sur le corps d'électrovanne. Lors du raccordement des câbles aux 302, mettre dans un premier temps tous les câbles dans les chemins de câbles ou goulottes et raccorder chaque câble au connecteur en dernier lieu.

Le raccordement est réalisé par :

- Connecteur débrochable avec degré de protection IP65 (connecteur monté). Serrer chaque fil sur le bornier du connecteur au couple indiqué. Le couple de serrage du presse-étoupe est de 2,5 ±0,1 N.m afin de garantir l'étanchéité IP65.
- Code connecteur coudé ISO 15217/DIN 43650, forme C : **88130216** (entrée de câble Ø4 à 6 mm)
- Code connecteur coudé DIN 43650, 9,4 mm, standard industriel B : **88130202** (entrée de câble Ø4 à 6 mm)
- Connecteur M12 (+24V CC), degré de protection IP67 (connecteur monté)
- Code connecteur coudé à cabler : **88130221**
- Code connecteur droit à cabler : **88130222**

Monter impérativement le connecteur livré avec chaque produit. Dans le cas où le connecteur n'est pas livré avec l'électrovanne, l'utilisateur doit obligatoirement monter un connecteur certifié IP6X respectant la plage de température de service de l'électrovanne.

Tout autre assemblage invalidera la certification. Ne pas monter ou démonter le connecteur sous tension.

Mise en service : Avant de mettre le circuit sous pression, effectuer un essai électrique. Mettre la bobine sous tension

plusieurs fois et écouter le « clic » métallique qui signale le fonctionnement de la tête magnétique.

Le personnel intervenant sur ces composants doit être familiarisé avec la commande électrique, par exemple redondances et le cas échéant le retour d'information (commandes électroniques).

Utilisation : Les bobines sont prévues pour une utilisation permanente sous tension et peuvent par conséquent atteindre une température élevée.

Si l'électrovanne est facilement accessible, prévoir une protection empêchant tout contact accidentel qui pourrait provoquer des brûlures. Ne pas confiner l'électrovanne afin d'éviter toute surchauffe.

RACCORDEMENT

- Raccorder tous les orifices en contact avec le fluide. Montage par plan de pose ISO 15218 (CNOMO taille 15). Veuillez impérativement à la présence des joints sur le plan de pose. Pré-monté alternativement les 2 vis M3 x 20 à un couple compris entre 0,3/0,5 Nm, puis les serrer au couple de 1 Nm ±0,2 (E).
- Nettoyer les canalisations destinées à recevoir le composant.
- Respecter le sens de circulation du fluide.
- Utiliser uniquement les possibilités de raccordement prévues.
- S'assurer qu'aucun corps étranger ne pénètre dans le circuit, notamment lors de la réalisation de l'étanchéité du raccordement.
- La commande manuelle, signalée par le symbole (H), permet le fonctionnement hors tension.
- Respecter les rayons de courbure autorisés pour les tuyauteries, ne pas restreindre les orifices de circulation du fluide.
- Les tubes et éléments de raccordement ne devront exercer aucun effort, couple ou contrainte sur le produit.
- Utiliser un outillage adapté et placer les clés de serrage aussi près que possible du point de raccordement.
- Respecter les couples préconisés pour le serrage des raccords des tuyauteries.
- Les connexions doivent être réalisées de manière durable.

ATTENTION

Le fait de ne pas respecter les limites des caractéristiques électriques de la bobine, a comme conséquence des dommages ou une défaillance prématurée de cette dernière. Cela invalidera également son utilisation pour des atmosphères gazeuses/poussiéreuses.

AVERTISSEMENT : Il n'est pas permis à un personnel non autorisé de démonter l'ensemble bobine et connecteur monté. Prendre soin de ne pas endommager les surfaces d'appui en démontant ou en ré-assemblant l'ensemble connecteur/bobine. **Un assemblage incorrect invalidera la certification.**

EXPLOITATION

Pour prévenir d'éventuels dégâts matériels ou aux personnes, ne touchez pas à la bobine. La bobine peut devenir chaude dans des conditions de fonctionnement normal. Si l'électrovanne est facilement accessible, l'installateur doit assurer une protection pour éviter tout contact accidentel. Pour éviter les problèmes d'électricité statique, nettoyer exclusivement avec un chiffon humide. Ne pas utiliser de solvant.

ENTRETIEN

ATTENTION : Couper le courant électrique avant de commencer.
 Lors de l'installation, l'installateur est tenu de suivre les recommandations de la directive 1999/92/CE et normes associées. Il n'existe pas de pochette de rechange ATEX.

L'électrovanne n'est ni démontable, ni réglable. Ne jamais désolidariser la bobine de la partie pneumatique de l'électrovanne.

DEMONTAGE/REMONTAGE DU CONNECTEUR DE L'ELECTROVANNE : Cette opération devra être effectuée par un personnel qualifié. Dévisser et retirer le connecteur. Procéder à l'inverse pour le remontage (respecter le couple de serrage (A)).

L'électrovanne et l'ensemble joint /connecteur doivent être entièrement remontés pour que l'étanchéité IP 65/IP 67 puisse être certifiée.

Un assemblage incorrect invalidera la certification. Si un élément est remplacé par l'utilisateur la tracabilité du produit final ne sera plus assurée par ASCO Numatics et devra l'être par l'utilisateur.

ALLGEMEINES
 Diese Installations- und Wartungsanweisungen betreffen das Magnetventil der Baureihe 302...IA., mit Aufhängeschild nach ISO 15218 (CNOMO Größe 15 [E06.36.120N]).
 Beim Zusammenbau mit einem anderen Ventil oder bei der Montage auf einem anderen Ventil sind für die Installation sowie Inbetriebnahme des Magnetventils die jeweils entsprechenden Installations- und Wartungsanweisungen und die Konformitätserklärungen heranzuziehen.
 Die Nichtbeachtung der nachstehenden Hinweise kann zu Fehlfunktionen, Beschädigungen oder Verletzungen führen.
 Diese Komponente ist keine Sicherheitseinrichtung; sie ist ausschließlich für die bestimmungsgemäße Verwendung als Einzelgerät oder Einbauteil in Geräten, Maschinen und Anlagen bestimmt. Die Montage und Inbetriebnahme sowie der Einsatz und die Wartung dürfen nur von entsprechend qualifiziertem und beauftragtem Personal durchgeführt werden.
 Das mit Arbeiten an den Komponenten betraute Personal muss mit den jeweils geltenden Sicherheitsvorschriften und -anforderungen bezüglich der Komponenten, Geräte, Maschinen und elektrischen Anlagen (für Ventile, Magnetventile, elektronische Steuerungen, Luftaufbereitung) vertraut sein. Im Falle von Schwierigkeiten ist mit ASCO Numatics oder einem seiner ordnungsgemäß ermächtigten Vertreter Rücksprache zu halten.

BESCHREIBUNG
 Das Magnetventil des Typs 302 1...IA. ist für die Mediensteuerung bestimmt.
Wesentliche Anforderungen an Gesundheit und Sicherheit: Das Magnetventil, Typ 302 1...IA., ist gemäß den Normen IEC 60079-0, 60079-11 und 60079-26 konstruiert.
Klassifikation: **II 1 G Ex ia IIC T85°C Da**
IP65 oder IP67

Die Konformitätsbescheinigungen gemäß diesen Normen sind erhältlich unter: www.asconumatics.eu
EG-Baumusterprüfbescheinigungsnr.: INERIS 03 ATEX 0249 X
IECEx-Konformitätsbescheinigungsnr.: IECEx INE 10.0002X

INSTALLATION
Besondere Bedingungen für den sicheren Einsatz:
 ASCO Numatics-Komponenten dürfen nur innerhalb der auf dem Typenschild oder in der Dokumentation angegebenen Daten eingesetzt werden. Änderungen an den Produkten dürfen nur nach vorheriger Zustimmung des Herstellers oder einem seiner ordnungsgemäß ermächtigten Vertreter vorgenommen werden.
 Das mit einem Magnetkopf der Zündschutzart Ex ia ausgerüstete Magnetventil ist zur Verwendung in explosionsfähigen Atmosphären bestimmt, die durch Gase (Gruppe IIA, IIB und IIC), Dämpfe oder Nebel der Gruppe II (EPL Ga) oder Stäube der Gruppe III (EPL Da) verursacht werden.
 Die Oberflächentemperaturklasse ist T6-T85°C bis T4-T135°C und hängt von der Leistung, der Umgebungstemperatur und der Installationsart des Produkts ab.
 Entsprechend der Umgebungstemperatur/Leistung muss ein hitzebeständiges Kabel verwendet werden, das für die auf der Magnetspule angegebene Temperatur geeignet ist.

Vorbereitende Maßnahmen:
 • Auf eine sachgerechte Lagerung der Komponente ist zu achten. Sie muss mit den für das Produkt vorgegebenen Spezifikationen übereinstimmen.
 • Die Komponenten sind vorsichtig aus der jeweiligen Verpackung zu entnehmen.
 • Das für den Einbau der Komponente bestimmte Gerät bzw. die für den Einbau der Komponente bestimmte Maschine oder Anlage ist vom Netz zu trennen und drucklos zu schalten. Die Netztrennung und Entlüftung sind vorzuschreiben, um gegen unbefugten Eingriff zu schützen.
 • Die Einheit, die dazugehörigen Bauteile und das Umfeld sind sauber zu halten und vor Beschädigungen aller Art zu schützen.
 • Zum Schutz der Produkte sollten Schmutzfänger oder Filter so dicht wie möglich an der Komponente montiert werden.
 • Jede Art von Änderungen an den Produkten ist untersagt.
 • Die Aufhängeschleife des Magnetventils ist sauber zu halten, um eine Beschädigung der Dichtungen zu vermeiden.
 • Die Beständigkeit der medienberührten Teile gegenüber den verwendeten Medien ist zu überprüfen.
 Zu verwendende Medien: Luft oder neutrale Gase, gefiltert (50µm).
 Zul. Mediumtemperatur:
0,25 W: 0°C bis +40°C

0,5 W: -10°C bis +40°C
 • Diese Temperatur kann durch die Betriebstemperatur des Pilotventils bzw. Wegeventils begrenzt sein. Taupunkt: -20°C.
 • Das Magnetventil ist in einer nicht-korrosierenden Luft- oder Flüssigkeitsumgebung zu platzieren.
 • Schutzart nach EN 60529: IP6X

ELEKTRISCHE DATEN
 DC-Magnetspulen (=)
 Typ (Baureihe) 302 1...IA.
 Versorgungsennspannung: U_{max} = 28 V
 Stromaufnahme: I_{max} = 70 mA (12 V) oder 40 mA (24 V)
 Max. Verlustleistung: P_{max} = 1,6 W
 Isolationsklasse F (155°C) 100% E.D.

Pn	Sicherheitsparameter				
	U ₀ (V)	I ₀ (mA)	P ₀ (W)	L ₀ (mH)	C ₀ (µF)
0,25 / 0,5	28	300	1,6	0	0

Das Magnetventil des Typs 302 1...IA. ist mit einer Spannungsversorgung zu verbinden, die für den Einsatz in explosionsfähigen Atmosphären der Gruppen IIC, IIB oder IIA zertifiziert ist und über einen eigensicheren Ausgangskreis verfügt. Die Eigensicherheit der verbundenen Komponenten muss gewährleistet sein.
 Im Falle eines Einsatzes in Zone 0 der Gruppe IIC muss das Magnetventil Typ 302 1...IA gegen Luftzug und Reibung abgeschirmt sein, um elektrostatische Aufladungen des Gehäuses zu vermeiden.
 Die Spannungsbarriere für die Ausrüstung muss die folgenden maximalen Werte aufweisen: U₀ = 28 V; I₀ = 300 mA oder P₀ = 1,6 W.

Da die Parameter C₀ und L₀ der Ausrüstung beide gleich 0 sind, müssen die maximalen Ausgangswerte U₀ und L₀ der Spannungsbarriere die effektiven Werte C und L des verwendeten Kabels übersteigen.
 Die Wahl der Barriere und die Herstellung der elektrischen Verbindungen obliegen dem Betreiber.

Die Übereinstimmung der Leistung mit dem gewählten Produkt ist zu überprüfen.
Mindestumgebungstemperatur: -10°C (0,5 W) / 0°C (0,25 W)
 Diese Temperatur kann durch die Betriebstemperatur des Pilotventils bzw. Wegeventils begrenzt sein.
Berechnung der Betriebsbedingungen:

Pn (Watt)	Max. Umgebungstemp. °C ⁽¹⁾			
	Oberflächentemperatur			
	T6	T5	T4	
	85°C	100°C	135°C	
	12V/24V	12V/24V	12V/24V	
	40	40	50	60
0,25 / 0,5	-	-	-	50

Insolationsklasse F (155°C) 100% E.D.⁽²⁾

Magnetventil / Einzelmontage
 Magnetventil / Reihenmontage

12 V oder 24 V mit LED :

$$I_0 \text{ (mA)} = \frac{[V_s - 1,2 - 0,003 (R_b + R_i)] \times 1000}{(R_b + R_i + R_e)} + 3$$

12 V oder 24 V ohne LED :

$$I_0 \text{ (mA)} = \frac{[V_s - 1,2 - 0,003 (R_b + R_i)] \times 1000}{(R_b + R_i + R_e)}$$

0,25 W:

24 V mit LED :

$$I_0 \text{ (mA)} = \frac{[V_s - 1,2 - 0,002 (R_b + R_i)] \times 1000}{(R_b + R_i + R_e)} + 2$$

Dieser Wert (I₀) sowie der maximale Strom der Barriere/des Interface (sofern diese nichtlinear ist) müssen mehr als 33 mA (12 V mit LED), 25 mA (24 V mit LED, 0,5 W), 20 mA (24 V mit LED, 0,25 W), 30 mA (12 V ohne LED), 22 mA (24 V ohne LED) betragen.
 I₀ (mA) Mindestversorgungsstrom des Produkts

R_b (Ω) Max. Barrierenwiderstand
R_i (Ω) Maximale Umgebungstemperatur
V₀ (V) Max. Widerstand der Verbindungskabel
V₁ (V) Mindestleiteraufspannung der Barriere/des Interface
F₀ (Ω) Maximaler Magnetspulenwiderstand:

12 V mit oder ohne LED = $\frac{288 (T_s + 234 + 10)}{254}$

24 V mit oder ohne LED = $\frac{563 (T_s + 234 + 10)}{254}$

Entsprechend der Umgebungstemperatur / Leistung muss ein hitzebeständiges Kabel verwendet werden, das für die auf der Magnetspule angegebene Temperatur geeignet ist.
 Bei der Wartung sind die Bestimmungen der Richtlinie 1999/92/EG und zugehörige Normen zwingend einzuhalten.

SICHERHEITSBARRIEREN UND INTERFACEMODULE
 Diese 12 V und 24 V DC-Magnetventile können mit den in der Tabelle auf Seite 32/33 angegebenen Sicherheitsbarrieren angesteuert werden. Die mit den 24 V DC-Sicherheitsbarrieren kompatiblen 12 V DC-Versionen sind mit dem Index (1) gekennzeichnet.
 Mit diesen Sicherheitsbarrieren bzw. Interfacemodulen können die in einem gefahrdeten Bereich installierten eigensicheren Magnetventile angesteuert werden.
 Diese Betriebsmittel sind bei einem der angegebenen Hersteller direkt zu bestellen, mit dem Vermerk, dass eigensichere Mini-Magnetventile des Typs 302 1...IA., II 1 G Ex ia IIC T6 bis T4 Ga, II 1 D Ex ia IIC T85°C bis T135°C Da, angesteuert werden sollen. Beim Anschluss sind die Zoneinteilung und die in den jeweiligen Ländern geltenden Regeln für die Zusammenschaltung von eigensicheren Produkten zu beachten.
 ASCO Numatics übernimmt keinerlei Haftung für die Verwendung von Produkten anderer Hersteller und eine eventuellen Änderung deren Eigenschaften.

ELEKTRISCHER ANSCHLUSS
 Die Installation des Magnetventils obliegt dem Betreiber der Anlage. Das System als Ganzes muss der Norm EN60079-14 entsprechen.
Vor Beginn jeglicher Arbeiten ist sicherzustellen, dass die Komponenten spannungslos geschaltet sind.
 Alle Schraubklemmen sind vor der Inbetriebnahme mit dem entsprechenden Drehmoment anzuziehen.

⚠ Das Kabel ist so zu installieren, dass keine Zugbeanspruchung auf das Ventilgehäuse auftritt.
 Zum Anschluss der Kabel an die Magnetventile der Baureihe 302 zuerst die Kabel in die Kabelrinnen bzw. -kanäle verlegen und anschließend die Kabel an die Leitungsdosen anschließen. Der Anschluss erfolgt über:
 • Abnehmbare Leitungsdose, Schutzart IP65 (bei montierter Leitungsdose). Schließen Sie die einzelnen Drähte an den Klemmenblock der Leitungsdose mit dem angegebenen Drehmoment an. Das Anziehdrehmoment für die Kabelverschraubung beträgt 2,5 ± 0,1 N.m, um die IP65-Dichtheit zu gewährleisten. Artikel-Nr. der Winkelleitungsdose, ISO 15217/DIN 43650, Bauform C: **88130216** (Kabeleingang Ø4 bis 6 mm)
 Artikel-Nr. der Winkelleitungsdose, DIN 43650, 9,4 mm, Industriestandard B: **88130202** (Kabeleingang Ø4 bis 6 mm)
 • M12-Leitungsdose (+24 V DC), Schutzart IP67 (bei montierter Leitungsdose). - Artikel-Nr. der zu verbindenden Winkelleitungsdose:
88130221
 - Artikel-Nr. der zu verbindenden geraden Leitungsdose:
88130222

Die im Lieferumfang des Produkts enthaltene Leitungsdose ist zwingend zu montieren. Falls mit dem Magnetventil keine Leitungsdose mitgeliefert wird, muss der Benutzer eine in Bezug auf die Betriebstemperatur des Magneten IP6X-zertifizierte Leitungsdose anbringen. Bei jeglicher anderen Montage-/Installationsweise wird die Zulassung ungültig. Die Leitungsdose darf nicht unter Spannung montiert oder demontiert werden.

Inbetriebnahme: Vor Druckbeaufschlagung des Produktes sollte eine elektrische Funktionsprüfung erfolgen. Spannung an der Magnetspule mehrmals ein- und ausschalten; es muss ein metallisches Klicken zu hören sein.
 Das mit Arbeiten an den Komponenten betraute Personal muss mit elektrischer Steuerungstechnik wie Redundanzen und, gegebenenfalls, Rückkopplungen (elektronische Steuerungen) vertraut sein.

Eintritt: Die Magnetspulen sind für Dauerbetrieb ausgerüstet und können daher sehr heiß werden.
 Bei leicht zugänglichem Magnetventil sollte ein Schutz vorgesehen werden, um jegliches versehentliches Berühren, das zu Verbrennungen führen kann, zu vermeiden. Um ein Überhitzen zu vermeiden, ist das Magnetventil nicht in einem geschlossenen Bereich ohne ausreichende Luftzirkulation zu betreiben.
ANSCHLUSS
 • Alle Anschlüsse der Komponente, die mit dem Medium in Berührung kommen können, sind zu verbinden. Montage gemäß Aufhängeschild nach ISO 15218 (CNOMO Größe 15). Achten Sie darauf, dass die Dichtungen ordnungsgemäß auf der Aufhängeschleife aufliegen.
 Die 2 M3X20 Schrauben sind wechselweise mit einem Drehmoment von 0,3/0,5 NM vorzumontieren und mit einem Drehmoment von 1 Nm^{+0,2} (E) anzuziehen.
 • Die zur Aufnahme der Komponente bestimmten Verrohrungen sind zu reinigen.
 • Die Durchflussrichtung ist zu beachten.
 • Es sind ausschließlich die vorgesehenen Anschlussmöglichkeiten zu verwenden.
 • Insbesondere bei der Abdichtung am Gewinde ist darauf zu achten, dass kein Dichtungsmaterial in die Komponente gelangt.
 • Die mit dem Symbol (H) gekennzeichnete Handhilfsbetätigung ermöglicht eine Betätigung in spannungslosem Zustand.
 • Der für die Krümmung der Rohrleitungen zulässige Radius ist zu beachten. Der Durchflussbereich an den Anschlüssen ist nicht zu reduzieren.
 • Die Rohrleitungsanschlüsse und sonstigen Verbindungen sollen fluchten und dürfen keine Spannungen auf das Produkt übertragen.
 • Für die Montage ist ausschließlich geeignetes Werkzeug zu verwenden; die Montageschlüssel sind so nahe wie möglich am Anschlusspunkt anzusetzen.
 • Die zum Anziehen der Rohrverbindungen empfohlenen Drehmomente sind zu beachten.
 • Alle Anschlüsse sind dauerhaft auszuführen.

ACHTUNG
 Die Nichteinhaltung der elektrischen Grenzwerte kann zu einer Beschädigung oder einem vorzeitigen Verschleiß der Magnetspule führen. Damit erlischt auch die Zulassung für die Verwendung des Produkts in gas-/staubhaltigen Atmosphären.
WARNUNG: Unbefugten ist es untersagt, die Einheit aus Magnetspule und Leitungsdose zu demontieren.
 Bei der Demontage bzw. dem Zusammenbau der Einheit aus Magnetspule und Leitungsdose ist darauf zu achten, dass die Auflageflächen nicht beschädigt werden.
Bei unsachgemäßer Montage wird die Zulassung ungültig.

BETRIEB
 Zur Vermeidung von Personen- und Sachschäden sollte jede Berührung mit der Magnetspule vermieden werden, da diese auch unter normalen Betriebsbedingungen heiß werden kann. Bei leicht zugänglichem Magnetventil sollte vom Installateur ein Schutz vorgesehen werden, um jegliches versehentliches Berühren zu vermeiden.
 Um der statischen Elektrizität vorzubeugen, ist die Oberfläche nur mit einem feuchten Lappen zu reinigen. Lösungsmittel sind nicht zu verwenden.

WARTUNG
ACHTUNG: Vor Beginn der Arbeiten muss der spannungsfreie Zustand hergestellt werden.
 Bei der Wartung sind die Bestimmungen der Richtlinie 1999/92/EG und zugehörige Normen zwingend einzuhalten.
 ATEX-Ersatzteilsätze sind nicht vorhanden.
 Das Magnetventil lässt sich weder auseinandernehmen noch einstellen. Die Magnetspule ist nicht vom pneumatischen Teil des Magnetventils zu trennen.
DEMONTAGE/MONTAGE DER LEITUNGSDOSE DES MAGNETVENTILS: Diese Arbeiten sind von entsprechend qualifiziertem Personal durchzuführen. Lösen Sie die Leitungsdose, indem Sie sie abschrauben. Die Montage der Leitungsdose hat in umgekehrter Reihenfolge zu erfolgen (das Anziehdrehmoment (A) beachten).
 Das Magnetventil und die Einheit aus Dichtung und Leitungsdose müssen wieder vollständig zusammengebaut sein, um den Schutzart IP65/IP67 zu gewährleisten.
Bei unsachgemäßer Montage wird die Zulassung ungültig. Beim Austausch von Teilen durch den Nutzer ist die Rückverfolgbarkeit des Endprodukts durch ASCO Numatics nicht mehr gewährleistet, sie muss vom Nutzer selbst sichergestellt werden.

INFORMACIÓN GENERAL
 Esta ficha de instrucciones de instalación y mantenimiento está provista con la electroválvula serie 302...IA, con plano de acoplamiento según ISO 15218 [CNOMO talla 15 [E06 36 120N]]
 En el caso de acoplamiento/montaje en un distribuidor tener en cuenta otras fichas de instalación y mantenimiento, y declaraciones de conformidad para instalar y poner en marcha la electroválvula.

El no respetar los puntos mencionados debajo puede ser el origen de disfuncionamientos, daños o heridas.
 El presente componente no es un accesorio de seguridad, está destinado únicamente para una utilización conforme, individual o integrada en aparatos, máquinas e instalaciones. Las operaciones de montaje, puesta en marcha, utilización y mantenimiento deben ser realizadas por personal cualificado y autorizado.

El personal que interviene en estos componentes debe estar familiarizado con las reglas de seguridad y exigencias en vigor relativas a los componentes, aparatos, máquinas e instalaciones eléctricas (para válvulas, electroválvulas, mandos electrónicos, tratamiento del aire). En caso de problemas, contacte con ASCO Numatics o sus representantes oficiales.

DESCRIPCIÓN

La electroválvula tipo 302 1...IA, está destinada para el mando de fluidos.

Exigencias esenciales en lo relativo a seguridad y salud :
 La electroválvula (tipo 302 1...IA) está diseñada según las normas CEI y EN referencias: 60079-0, 60079-11 y 60079-26.
Clasificación:
 II 1 G Ex ia IIC T6 a T4 Ga
 II 1 D Ex ia IIC T85°C a T135°C Da IP65 o IP67

Todos los certificados de conformidad relativos a estas normas están disponibles en www.asconumatics.eu

Nº de certificación CE: **INERIS 03 ATEX 0249 X**
 IECEx Certificado de Conformidad nº: **IECEX IINE 10.0002 X**

INSTALACIÓN

Condiciones especiales para una utilización segura :
 La clasificación de temperatura de superficie es T6 a T4, ésta depende de la potencia, de la temperatura ambiente y del montaje del producto. Los componentes ASCO Numatics están diseñados para los campos de funcionamiento indicados en la placa de características o la documentación. No se puede realizar ninguna modificación en el material sin el acuerdo previo del fabricante o de su representante. Esta electroválvula equipada de una cabeza magnética Ex ia está prevista para ser instalada en atmósferas potencialmente explosivas, que contengan gases de los grupos IIA, IIB y IIC, vapores o nieblas de los grupos II (EPL Gá), polvos de los grupos III (EPL Da).

La clasificación de temperatura de superficie es T6-T85°C a T4-T135°C, ésta depende de la potencia, de la temperatura ambiente y del montaje del producto.

En función de la temperatura ambiente / de la potencia, se debe utilizar un cable resistente al calor, apropiado a la temperatura indicada en la placa de características.

La electroválvula tipo 302 1...IA, está destinada para el mando de fluidos.

Preparación :

- Tenga en cuenta las condiciones previas de almacenamiento del componente. Estas deben ser conforme a las especificaciones del producto.
- Retire los componentes del embalaje con precaución.
- Quite la tensión y la presión del aparato, la máquina o instalación destinada a recibir el componente para evitar toda intervención no autorizada.
- Compruebe la limpieza del cuerpo, de sus componentes y de su entorno, para protegerles contra todo deterioro.
- Con el fin de proteger el material, instale un filtro adecuado en la entrada, lo más cerca posible del componente.
- No realice modificaciones del aparato.
- Compruebe la limpieza del plano de acoplamiento de la electroválvula con el fin de no dañar las juntas de estanquidad.
- Compruebe la compatibilidad del fluido con los materiales en contacto.

Fluidos utilizados : aire o gases neutros, filtrados a 50µm.
 Temperatura del fluido admisible :

0,25 W: 0°C a +40°C
 0,5 W: -10°C a +40°C

Esta temperatura puede estar limitada por el rango de temperatura de funcionamiento de la válvula o del distribuidor Punto de rocío : < 20°C.

- La electroválvula debe ser colocada en un entorno no corrosivo, aire o líquido.
- Índice de protección según EN 60529 : IP6X

CARACTERÍSTICAS ELÉCTRICAS

Bobinas CC (= tipo (serie) 302 1...IA.
 Tensión nominal de alimentación : Umax = 28 V
 Corriente absorbida : Imax = 70 mA (12 V) o 40 mA (24 V)
 Potencia máxima disipada : Pmax = 1,6 W
 Clase de aislamiento F (155°C) 100% E.D.

Pn	parámetros de seguridad				
	U = (CC)	I _i	P _i	L _i	C _i
(W)	(V)	(mA)	(W)	(mH)	(µF)
0,25 / 0,5	28	300	1,6	0	0

La electroválvula tipo 302 1...IA, debe ser alimentada a partir de una fuente de tensión de un tipo certificado para una utilización en atmósferas explosivas de los grupos IIC, IIB o IIA y su circuito de salida reconocido de seguridad intrínseca. Su asociación debe ser compatible desde el punto de vista de la seguridad intrínseca.

En el caso de una utilización en zonas 0 del grupo IIC, la electroválvula debe estar protegida contra el flujo de aire circundante de manera que se eviten todas las cargas electrostáticas.

La fuente de tensión, que puede alimentar el material, posee las características máximas siguientes : U₀ = 28 V ; I₀ = 300 mA o P₀ = 1,6 W

Siendo los parámetros aparentes Ci y Li del material los dos iguales a cero, las características máximas de salida Co y Lo de la fuente de tensión deben ser superiores a los valores C y L del cable de racordaje utilizado.

La elección de la barrera así como la realización de las interconexiones están bajo la responsabilidad del usuario.

Pn	ambiente máximo °C (1)				
	temperatura de superficie				
	T6 85°C	T5 100°C	T4 135°C		
(watt)	12V/24V	12V/24V	12V/24V		
	clase de aislamiento F (155°C) 100% E.D. (2)				
0,25 / 0,5	40	40	50	60	60
	-	-	-	50	50

electroválvula montada sola
 electroválvula montada en batería

Verifique que la potencia sea compatible con el producto seleccionado.

Temperatura ambiente mínima : -10°C (0,5 W) / 0°C (0,25 W)
 Esta temperatura puede estar limitada por el rango de temperatura de funcionamiento de la válvula o del distribuidor.

Cálculo de las condiciones de funcionamiento :

12 V o 24 V con LED :

$$I_i \text{ (mA)} = \frac{[V_s - 1,2 - 0,003 (R_b + R_i)] \times 1000}{(R_b + R_i + R_e)} + 3$$

12 V o 24 V sin LED :

$$I_i \text{ (mA)} = \frac{[V_s - 1,2 - 0,003 (R_b + R_i)] \times 1000}{(R_b + R_i + R_e)}$$

0,25 W:
24 V con LED :

$$I_i \text{ (mA)} = \frac{[V_s - 1,2 - 0,002 (R_b + R_i)] \times 1000}{(R_b + R_i + R_e)} + 2$$

Este valor (I_i), así como la corriente máxima de la barrera/interface (si ésta es no lineal) deben ser superiores a 33 mA

(12 V con LED), 25 mA (24 V con LED, 0,5 W), 20 mA (24 V con LED, 0,25 W), 30 mA (12 V sin LED), 22 mA (24 V sin LED).
 I_i (mA) Corriente mínima de alimentación del producto

- R_b (Ω) Resistencia barrera máxima
- T_a (°C) Temperatura ambiente máxima
- R_i (Ω) Resistencia máxima de los cables de unión
- V_i (V) Tensión mínima en vacío de la barrera/interface
- R_e (Ω) Resistencia máxima bobina :

12 V con o sin LED = $\frac{288 (T_s + 234 + 10)}{254}$

24 V con o sin LED = $\frac{563 (T_s + 234 + 10)}{254}$

Se debe utilizar un cable en función de la temperatura ambiente / de la potencia, resistente al calor, apropiado a la temperatura indicada en la bobina.
 Seguir imperativamente durante la fase de mantenimiento las recomendaciones de la directiva 1999/92/CE y normas asociadas.

BARRERAS E INTERFACES COMPATIBLES

Estas electroválvulas 12 V y 24 V CC son compatibles con las barreras del cuadro página 32/33. La referencia (1) indica las versiones 12 V CC compatible con las barreras 24 V CC. Estas barreras e interfaces permiten alimentar las electroválvulas de seguridad intrínseca instaladas en zonas peligrosas.

Estos equipos se solicitan a los fabricantes mencionados, indicando que estos materiales están destinados a alimentar mini-electroválvulas 302 1...IA, de seguridad intrínseca, II 1 G Ex ia IIC T6 a T4 Ga, II 1 D Ex ia IIC T85°C a T135°C D.

En función de las zonas, aplicar según la legislación en vigor del país, los procedimientos de homologación relativos a la asociación de productos SI.

ASCO Numatics declina toda responsabilidad en cuanto a utilización de productos de otros proveedores y eventuales modificaciones de sus características.

INSTALACIÓN ELÉCTRICA

La instalación de la electroválvula se realiza bajo responsabilidad de la sociedad usuaria de dicha electroválvula. El conjunto del sistema deberá ser conforme a la norma EN60079-14.

Antes de cualquier intervención, corte la alimentación eléctrica para quitar la tensión de los componentes.
 Todas las bornas de tornillo deben estar apretadas al par de apriete apropiado antes de la puesta en marcha.

⚠ Instalar el cable de manera que no haya tensión en el cuerpo de la válvula.

Durante la conexión de los cables a la 302, coloque en primer lugar todos los cables en las cañaletas para cables antes de conectarlos al conector.
 La conexión se realiza mediante :

- Conector desenchufable con grado de protección IP65 (conector montado). Apriete cada hilo en el bornero del conector al par indicado. El par de apriete del prensaestopas es de 2,5 ± 0,1 N.m con el fin de garantizar la estanquidad IP65. Código conector en codo, ISO 15217/DIN 43650, forma C : **88130216** (entrada de cable Ø4 a 6 mm)
 Código conector en codo, DIN 43650, 9,4 mm, norma industrial B : **88130202** (entrada de cable Ø4 a 6 mm)
- Conector M12 (+ 24V CC), grado de protección IP67 (conector montado).
 - Código conector en codo a cablear : **88130221**
 - Código conector recto a cablear : **88130222**

Monte imperativamente el conector suministrado con cada producto. Si no se incluye el conector con la válvula de solenoide, el usuario debe montar un conector con certificación IP6X con respecto al intervalo de temperatura de funcionamiento del solenoide. Cualquier otro montaje invalidará la certificación. No monte o desmonte el conector bajo tensión.

Puesta en marcha : Antes de poner el circuito bajo presión, realice una prueba eléctrica. Ponga la bobina bajo tensión varias veces y escuche el « clic » metálico que señala el funcionamiento de la cabeza magnética.
 El personal que intervenga en estos componentes debe

estar familiarizado con el pilotaje eléctrico, por ejemplo redundancias y llegado el caso el retorno de información (mandos electrónicos).

Utilización : Las bobinas están previstas para una utilización permanente bajo tensión y pueden como consecuencia alcanzar una temperatura elevada.
 Si la electroválvula es de fácil acceso, prevea una protección que impida todo contacto accidental que pudiera provocar quemaduras.
 No encierre la electroválvula con el fin de evitar su recalentamiento.

RACORDAJE

- Conecte todos los orificios en contacto con el fluido. Montaje por plano de acoplamiento ISO 15218 (CNOMO talla 15). Compruebe la presencia de las juntas en el plano de acoplamiento.
- Pre-monte alternativamente los 2 tornillos M3 x 20 a un par comprendido entre 0,3/0,5 Nm, después apriete al par de 1 Nm ^{50,2} (E).
- Limpie las canalizaciones destinadas a recibir el componente.
- Respete el sentido de circulación del fluido.
- Utilice únicamente las posibilidades de racordaje previstas.
- Compruebe que ningún cuerpo extraño penetra en el circuito, particularmente durante la realización de la estanquidad del racordaje.
- El mando manual, señalado por el símbolo (H), permite el funcionamiento sin tensión.
- Respete los radios de curvatura autorizados para las tuberías, no reduzca los orificios de circulación del fluido.
- Los tubos y elementos de racordaje no deberán ejercer ningún esfuerzo, par o tensión en el producto.
- Utilice una herramienta adaptada y coloque las llaves de apriete lo más cerca posible del punto de racordaje.
- Respete los pares recomendados para el apriete de los racores de las tuberías.
- Las conexiones deben realizarse de manera duradera.

ATENCIÓN

El hecho de no respetar los límites de las características eléctricas de la bobina, tiene como consecuencia daños o fallos prematuros de ésta. Esto invalidará su utilización para atmósferas con gases/polvorientos.

ADVERTENCIA: No está permitido a personal no autorizado desmontar el conjunto bobina y conector montado. Tenga cuidado de no dañar las superficies de apoyo desmontando o montando el conjunto conector/bobina.

Un montaje incorrecto invalidará la certificación

EXPLOTACIÓN

Para prevenir eventuales daños materiales o personales, no toque la bobina. La bobina puede calentarse en condiciones de funcionamiento normal. Si la electroválvula es de fácil acceso, el instalador debe asegurar una protección para evitar todo contacto accidental.
 Para evitar los problemas de electricidad estática, limpie exclusivamente con un paño húmedo. No utilizar disolventes.

MANTENIMIENTO

ATENCIÓN : Corte la corriente eléctrica antes de comenzar. Seguir imperativamente durante la fase de mantenimiento las recomendaciones de la directiva 1999/92/CE y normas asociadas.

No existen bolsas de piezas de recambio ATEX. La electroválvula no es ni desmontable, ni regulable. No separe jamás la bobina de la parte neumática de la electroválvula.

DESMONTAJE/MONTAJE DEL CONECTOR DE LA ELECTROVÁLVULA :

Esta operación deberá ser realizada por personal cualificado. Desatornille y retire el conector. Proceda a la inversa para el montaje (respete el par de apriete (A)). La electroválvula y el conjunto junta/conector deben ser montados por completo para que la estanquidad IP 65/IP 67 pueda estar garantizada.

Un montaje incorrecto invalidará la certificación. Si un elemento es sustituido por el usuario la trazabilidad del producto final ya no está asegurada por ASCO Numatics sino por el usuario.

GENERALITÀ
Le presenti istruzioni di installazione e manutenzione si riferiscono alle elettrovalvole della serie 302 1...IA, con piano di posa ISO 15218 [CNOMO taglia 15 (E06.36.120N)].

In caso di assemblaggio/montaggio su distributore, tenete conto delle altre schede di installazione e manutenzione e delle dichiarazioni di conformità per installare e mettere in funzione l'elettrovalvola. Il mancato rispetto dei punti sotto riportati può essere l'origine di cattivo funzionamento, danni materiali o lesioni alle persone.

Questo componente non è un accessorio di sicurezza, è destinato unicamente ad un utilizzo adeguato, singolo o integrato in apparecchi, macchine e impianti. Le operazioni di montaggio, messa in funzione, utilizzo e manutenzione devono essere effettuati da personale qualificato e autorizzato.

Il personale che interviene su questi componenti deve avere esperienza con le regole di sicurezza ed i requisiti in vigore che riguardano i componenti, gli apparecchi, le macchine e impianti elettrici (per valvole, elettrovalvole, comandi elettronici, trattamento aria). In caso di problemi, vogliate contattare ASCO Numatics o i suoi rappresentanti ufficiali.

DESCRIZIONE

L'elettrovalvola tipo 302 1...IA, è destinata al controllo dei fluidi.

Requisiti essenziali di igiene e sicurezza:

La valvola a solenoide, tipo 302 1...IA, è concepita secondo le norme IEC ed EN, riferimenti: 60079-0, 60079-11 e 60079-26.
Classificazione: II 1 G Ex ia IIC T6 a T4 Ga
 II 1 D Ex ia IIC T85°C a T135°C Da IP65 o IP67

Tutti i certificati di conformità a queste norme sono disponibili sul sito Web www.asconumatics.eu

Certificato di esame del tipo CE N°: **INERIS 03 ATEX 0249 X**
Certificato di conformità IECEx N°: **IECEx INE 10.0002X**

INSTALLAZIONE

Condizioni speciali per un utilizzo sicuro:
L'utilizzo dei componenti ASCO Numatics deve essere conforme ai dati tecnici riportati sulla targhetta o nella documentazione del componente. Eventuali modifiche sono ammesse solo se autorizzate dal produttore o da un suo rappresentante. Questa elettrovalvola provvista di testa magnetica Ex ia è concepita per essere installata in atmosfere potenzialmente esplosive per la presenza di gas dei gruppi IIA, IIB e IIC, vapore o condensa di gruppo II (EPL Ga) e polveri di gruppo III (EPL Da).

La classificazione della temperatura superficiale è da T6-T85°C a T4-T135°C e dipende dalla potenza nominale, dalla temperatura ambiente e dall'assemblaggio del prodotto. Depending on the ambient temperature/power rating, a heat resistant cable suitable for the temperature indicated on the coil must be used.

Preparazione:

- Controllare le condizioni preliminari di stoccaggio del componente. Devono essere in accordo con le specifiche del prodotto.
- Togliere i componenti dall'imballaggio con precauzione.
- **Togliere tensione e pressione all'apparecchio**, alla macchina o all'impianto destinato a ricevere il componente. Accertarsi della sospensione della tensione e della pressione per evitare qualsiasi intervento non autorizzato.
- Assicurarsi che il corpo, i componenti e l'ambiente circostante siano puliti, proteggerli da ogni deterioramento.
- Per proteggere il materiale, installare un filtro adeguato a monte, il più vicino possibile al componente.
- Non apportare alcuna modifica all'apparecchio.
- Accertatevi della pulizia del piano di posa dell'elettrovalvola al fine di non danneggiare le guarnizioni di tenuta.
- Verificare la compatibilità del fluido con i materiali a contatto, fluidi utilizzati: aria o gas neutri, filtrati a 50µm.

Temperatura del fluido ammissibile :

0,25 W: da 0°C a +40°C
0,5 W: da -10°C a +40°C

Questa temperatura può essere limitata dal campo di temperatura di funzionamento della valvola o del distributore

Punto di rugiada: -20°C.

- L'elettrovalvola deve essere posizionata in ambiente non corrosivo, aria o liquido.
- Classe di protezione secondo EN 60529: IP6X.

CARATTERISTICHE ELETTRICHE

Bobina CC (= tipo (serie) 302 1...IA.
Tensione nominale d'alimentazione : U_{max} = 28 V
Assorbimento max. di corrente : I_{max} = 70 mA (12 V) o 40 mA (24 V)
Potenza max. dissipata : P_{max} = 1,6 W
Classe di isolamento F (155°C) 100% E.D.

P _n	parametri di sicurezza				
	U _i (V)	I _i (mA)	P _i (W)	L _i (mH)	C _i (µF)
0,25 / 0,5	28	300	1,6	0	0

L'elettrovalvola tipo 302 1...IA, deve essere alimentata da una barriera di tensione certificata per l'uso in atmosfere potenzialmente esplosive dei gruppi IIC, IIB o IIA e con un circuito di uscita a sicurezza intrinseca. La combinazione valvola/barriera deve essere compatibile in termini di sicurezza intrinseca.

Quando utilizzata nelle zone 0 del gruppo IIC, l'elettrovalvola deve essere protetta dalle correnti d'aria esterne per evitare cariche elettrostatiche.

La barriera di tensione utilizzata deve presentare le seguenti caratteristiche massime: U_o = 28 V; I_o = 300 mA o P_o = 1,6W Poiché i due parametri C_i e L_i del dispositivo sono entrambi uguali a zero, le caratteristiche massime di uscita Co e Lo della barriera di tensione devono superare i valori effettivi di C e L del cavo di collegamento utilizzato.

La scelta della barriera di tensione e la realizzazione delle interconnessioni sono compiti dell'utilizzatore.

P _n	ambiente max. °C (1)						elettrovalvola montata singolarmente elettrovalvola montata in serie
	temperatura superficiale						
	T6 85°C	T5 100°C	T4 135°C	T4 12V/24V	T4 12V/24V	T4 12V/24V	
(Watt)	40	40	50	60	60	60	classe di isolamento F (155°C) 100% E.D. (2)
0,25 / 0,5	-	-	-	-	50	50	

Verificare la compatibilità della potenza con il prodotto utilizzato.

Temperatura ambiente minima ammessa: -10°C (0,5W) / 0°C (0,25W)
Questa temperatura può essere limitata dalla temperatura nominale d'esercizio del pilota o del distributore.

Calcolo delle condizioni d'esercizio:

12 V o 24 V con LED :

$$I_i \text{ (mA)} = \frac{[V_s - 1,2 - 0,003 (R_b + R_i)] \times 1000}{(R_b + R_i + R_i)} + 3$$

12 V o 24 V senza LED :

$$I_i \text{ (mA)} = \frac{[V_s - 1,2 - 0,003 (R_b + R_i)] \times 1000}{(R_b + R_i + R_i)}$$

0,25 W:

24 V con LED :

$$I_i \text{ (mA)} = \frac{[V_s - 1,2 - 0,002 (R_b + R_i)] \times 1000}{(R_b + R_i + R_i)} + 2$$

Questo valore (I_i) e la corrente massima della barriera/interfaccia (se non lineare) devono essere maggiori di 33 mA (12 V con LED), 25 mA (24 V con LED, 0,5 W), 20 mA (24 V con LED, 0,25 W), 30 mA (12 V senza LED), 22 mA (24 V senza LED).
I_i (mA) Corrente minima d'alimentazione del prodotto

- R_i (Ω) Resistenza barriera max.
- T_i (°C) Temperatura ambiente max.
- R_i (Ω) Resistenza max. dei cavi di collegamento
- V_i (V) Tensione min. senza carico della barriera/interfaccia
- R_i (Ω) Resistenza max. bobina

$$12 \text{ V con o senza LED} = \frac{288 (T_s + 234 + 10)}{254}$$

$$24 \text{ V con o senza LED} = \frac{563 (T_s + 234 + 10)}{254}$$

In funzione della temperatura ambiente/campo di potenza, deve essere utilizzato un cavo resistente al calore, adatto alla temperatura indicata sulla bobina. Seguir imperativamente durante la fase di mantenimento le raccomandaciones de la directiva 1999/92/CE y normas asociadas.

BARRIERE COMPATIBILI ED INTERFACCIE

Queste elettrovalvole a 12 V e 24 V CC sono compatibili con le barriere elencate nella tabella a pagina 32/33. Le valvole a 12 V CC che sono compatibili con le barriere a 24 V CC vengono identificate con l'indice (1).

Queste barriere ed interfaccie consentono di alimentare le elettrovalvole a sicurezza intrinseca installate in zone pericolose. Questi dispositivi devono essere ordinati alle rispettive case produttrici specificando che la loro funzione è quella di alimentare elettrovalvole a sicurezza intrinseca 302 1...IA, II 1 G Ex ia IIC T6 a T4 Ga, II 1 D Ex ia IIC T85°C a T135°C D. Secondo le zone e alla legislazione del Paese, applicare la procedura di certificazione relativa all'Associazione dei Prodotti a Sicurezza Intrinseca. ASCO Numatics declina qualsiasi responsabilità per l'utilizzo di prodotti di altri fornitori e modifiche delle loro caratteristiche.

INSTALLAZIONE ELETTRICA

L'installazione dell'elettrovalvola deve essere eseguita sotto la responsabilità della società che gestisce il sito industriale. Il sistema, nel suo insieme, deve essere conforme alla norma EN60079-14.

Prima di qualsiasi intervento, sospendere l'alimentazione elettrica per togliere tensione ai componenti.

Tutti i morsetti a vite devono essere bloccati con coppia di serraggio appropriata prima della messa in funzione.

⚠ Installare il cavo in maniera da non creare tensione sul corpo della valvola.

Quando collegate i cavi alle elettrovalvole Serie 302, prima di collegarli ai connettori posizionatele nella canalina.

Il collegamento avviene tramite :

- Connettore disinnestabile con grado di protezione IP65 (connettore montato). Serrare ogni filo sul morsetto alla coppia indicata. La coppia di serraggio del pressacavo è 2,5 ±0,1 N.m al fine di garantire la tenuta IP65. Codice del connettore ad angolo, ISO 15217/DIN 43650, forma C : **88130216** (ingresso cavo Ø da 4 a 6 mm) Codice del connettore ad angolo DIN 43650, 9,4 mm, standard industriale B: **88130202** (ingresso cavo Ø da 4 a 6 mm)
 - Connettore M12 (+24 V CC) grado di protezione (quando montato correttamente)
- Codice del connettore ad angolo da cablare: **88130221**
- Codice del connettore dirittoda cablare: **88130222**
- Montare tassativamente il connettore fornito con ogni prodotto. Se assieme all'elettrovalvola non fosse incluso un connettore, l'utente deve installare un connettore certificato IP6X, in ottemperanza all'intervallo di temperatura operativo della solenoide. Qualsiasi altro tipo di assemblaggio/installazione annullerà la certificazione. Non montare o smontare il connettore sotto tensione.**

Messa in funzione: Prima di dare pressione al circuito, effettuare una prova elettrica. Dare corrente alla bobina diverse volte e verificare che si senta il «click» metallico che segnala il funzionamento della testa magnetica.

Il personale che interviene deve avere esperienza con il comando elettrico, per esempio ridondanze e, all'occorrenza,

con i comandi elettronici.

Utilizzo: Le bobine sono previste per messa in tensione permanente e, di conseguenza, possono raggiungere temperature elevate.

Se l'elettrovalvola è facilmente accessibile, prevedere una protezione che impedisca qualsiasi contatto accidentale per evitare bruciature. Per evitare problemi di surriscaldamento, non utilizzare l'elettrovalvola in spazi ridotti con scarsa ventilazione.

RACCORDO

• Raccordare tutte le vie a contatto con il fluido. Montaggio con piano di posa ISO 15218 (CNOMO taglia 15). Accertarsi tassativamente della presenza delle guarnizioni sul piano di posa.

Pre-montare alternativamente le 2 viti M3 x 20 con coppia di serraggio compresa tra 0,3/0,5 Nm, e successivamente serrare con coppia di 1 Nm ±0,2 (E)

- Pulire le canalizzazioni destinate a ricevere il componente.
- Rispettare il senso di circolazione del fluido.
- Utilizzare unicamente i possibili raccordi previsti..
- Assicurarsi che nessun corpo estraneo penetri nel circuito, in particolare al momento della realizzazione della tenuta del raccordo.
- Il comando manuale, segnalato dal simbolo (H), permette il funzionamento senza tensione.
- Rispettare i raggi di curvatura per le tubazioni, non restringere i passaggi di circolazione del fluido.
- Le tubazioni e gli elementi di raccordo non devono esercitare nessuno sforzo, coppia o sollecitazione sul prodotto.
- Utilizzare un'attrezzatura adatta e posizionare le chiavi di fissaggio il più possibile vicino al punto di raccordo.
- Rispettare le coppie raccomandate per il serraggio dei raccordi delle tubazioni.
- Le connessioni devono essere realizzate in modo duraturo.

ATTENZIONE

Il mancato rispetto dei limiti relativi alle caratteristiche elettriche della bobina, ha come conseguenza danni o la rottura prematura della bobina stessa. Ciò invaliderà anche la certificazione per utilizzo in atmosfere gassose/polverose.

AVVERTIMENTO: Al personale non autorizzato è proibito smontare il gruppo bobina e connettore.

Fare attenzione a non danneggiare le superfici d'appoggio smontando o riassemblando il gruppo connettore/bobina.
Un assemblaggio errato annullerà la certificazione.

UTILIZZO

Per evitare eventuali danni materiali o lesioni alle persone, non toccare la bobina. In condizioni normali di funzionamento la bobina può surriscaldarsi. Se l'elettrovalvola è facilmente accessibile, l'installatore deve garantire una protezione adeguata per evitare qualsiasi contatto accidentale. Per evitare problemi di elettricità statica, pulire esclusivamente con uno straccio umido. Non utilizzare solventi.

MANUTENZIONE

ATTENZIONE: Prima di cominciare, scollegare la corrente elettrica. Seguir imperativamente durante la fase di mantenimento le raccomandaciones de la directiva 1999/92/CE y normas asociadas.

Non sono disponibili kit parti di ricambio ATEX. L'elettrovalvola non può essere smontata o regolata. Non rimuovere la bobina dalla parte pneumatica dell'elettrovalvola.

SMONTAGGIO/RIMONTAGGIO DEL CONNETTORE DELL'ELETTROVALVOLA:

Questa operazione dovrà essere effettuata da personale qualificato.

Svitare e rimuovere il connettore. Rimontare in ordine inverso dello smontaggio (rispettare la coppia di serraggio (A)).

La valvola e il gruppo guarnizione e connettore devono essere completamente ri-montati affinché possa essere certificata la protezione IP65/IP67.

Un assemblaggio errato annullerà la certificazione.

In caso di sostituzione di qualche elemento, la tracciabilità del prodotto finale non può essere garantita da ASCO Numatics e dovrà essere assicurata dall'utilizzatore.



ALGEMEEN
 Deze Algemene installatie- en onderhoudsinstructies zijn bedoeld voor magneetventielen serie 302 1...IA, met montageplaat ISO 15218 (CNOMO grootte 15 (E06.36.120N)). In geval van assemblage of installatie op een ander ventiel, dienen de Algemene installatie- en onderhoudsinstructies en de Verklaringen van conformiteit met betrekking tot het specifieke ventiel in aanmerking te worden genomen bij de assemblage en de inwerkingstelling van het magneetventiel. Het niet opvolgen van deze instructies kan leiden tot storingen, schade of letsel.
 Deze component is geen veiligheidsaccessoire, maar is uitsluitend bedoeld voor gebruik als afzonderlijke component of geïntegreerd in apparatuur, machines en installaties. Alle montage, bediening, gebruik en onderhoud dient te worden uitgevoerd door gekwalificeerd, bevoegd personeel. Personeel dat met de componenten werkt dient vertrouwd te zijn met de veiligheidsvoorschriften en vereisten met betrekking tot de componenten, apparatuur, machinerie en elektrische installaties (voor afsluiters, magneetafsluiters, elektronische besturingsapparatuur, luchtdienstapparatuur). Neem in geval van problemen contact op met ASCO Numatics of een van de erkende vertegenwoordigers.

BESCHRIJVING

Het magneetventiel type 302 1...IA, is bedoeld voor vloeistofcontrole.
Fundamentele gezondheidsvoorschriften en veiligheidsvoorschriften:
 Magneetventiel, type 302 1...IA, is ontworpen in overeenstemming met IEC en EN normen met referenties: 60079-0, 60079-1 en 60079-11.
Klassificatie: II 1 G Ex ia IIC T6 tot T4 Ga
 II 1 D Ex ia IIC T85°C tot T135°C Da
 IP65 of IP67
Alle conformiteitscertificaten volgens deze normen zijn beschikbaar op www.asconumatics.eu

EG-typeonderzoek certificaat nr.: **INERIS 03 ATEX 0249 X**
 IECEx-conformiteitscertificaat nr.: **IECEx INE 10.0002X**

INSTALLATIE

Speciale voorwaarden voor veilig gebruik:
 ASCO Numatics componenten mogen uitsluitend toegepast worden binnen de op de naamplaat of in de documentatie aangegeven technische specificaties. Wijzigingen zijn alleen toegestaan na overleg met de fabrikant of haar vertegenwoordiger. Dit magneetventiel, dat is uitgerust met een Ex ia magneetkop, zijn ontworpen om te worden geïnstalleerd in potentieel explosieve atmosferen veroorzaakt door gas (IIA, IIB en IIC), dampen of nevels van categorie II (EPL Ga) en stof van groep III (EPL Da).
 De classificatie van de oppervlaktetemperatuur is T6-T85°C tot T4-T135°C, en is afhankelijk van de vermogen, omgevingstemperatuur en assemblage van het product.
 Depending on the ambient temperature/power rating, a heat resistant cable suitable for the temperature indicated on the coil must be used.

Vorbereiding:

- Controleer de voorbereidende opslagvoorwaarden die vereist zijn voor de component. Deze dienen overeen te stemmen met de productspecificaties.
- Neem de componenten voorzichtig uit de verpakking.
- **Schakel het apparaat, de machine of installatie waarop de component gemonteerd dient te worden uit en laat de overdruk ontsnappen.** Controleer of aan de vereisten voor de uitschakeling en de ontluchting is voldaan, ter bescherming tegen ongeautoriseerde interventie.
- Controleer of de eenheid, de componenten en de omgeving schoon zijn en beschermd tegen deze beschadiging.
- Om de apparatuur te beschermen installeert u bovenstrooms en zo dicht mogelijk bij de component een adequaat inlaat-rooster of filter.
- Verander het apparaat niet.
- Controleer of het contactoppervlak van de magneetafsluiter schoon is, om beschadiging van de afdichtingen te voorkomen.
- Controleer of de vloeistof verenigbaar is met de materialen waarmee deze in contact komt.
 Gebruikte vloeistoffen: lucht of neutraal gas, gefiltreerd tot 50µm.
 Toegestane vloeistoftemperatuur:
0,25 W: 0°C tot +40°C

0,5 W: -10°C tot +40°C
 Deze temperatuur kan beperkt worden door het gebruiks-temperatuurbereik van het stuurventiel of de schuifafsluiter.
 Dauwpunt: -20°C.
 • De magneetafsluiter dient geïnstalleerd te worden in een niet-corrosieve lucht- of vloeistofomgeving.
 • Beschermingsgraad volgens EN 60529: IP6X

ELEKTRISCHE KENMERKEN

Spoelen DC (=)
 type (serie) 302 1...IA.
 Nominale toevoerspanning : Umax = 28 V
 Max. stroomverbruik : Imax = 70 mA (12 V) aan 40 mA (24 V)
 Max. gedissipeerd vermogen : Pmax = 1,6 W
 Isolatieklasse F (155°C) 100% E.D.

Pn	veiligheidsparameters				
	U _i (= (DC) (V)	I _i (mA)	P _i (W)	L _i (mH)	C _i (µF)
0,25 / 0,5	28	300	1.6	0	0

Het magneetventiel type 302 1...IA, dient te worden gevoerd door stroom van een goedgekeurde barrière voor gebruik in potentieel explosiegevaarlijke omgevingen van groepen IIC, IIB of IIA en met een erkend intrinsiekveilig uitgangscircuit. De combinatie ventiel/barrière dient compatibel te zijn in termen van intrinsieke veiligheid.
 Bij gebruik in zones 0 van groep IIC dient het magneetventiel te worden beschermd tegen externe luchtstromen om elektrostatische ladingen te voorkomen.
 De barrière voor de apparatuur dient de volgende maximumwaarden te hebben: Uo = 28 V; Io = 300 mA of Po = 1,6W
 Aangezien de twee parameters Ci en Li van de apparatuur beiden gelijk zijn aan nul, moeten de maximale uitvoerwaarden Co en Lo van de barrière de effectieve waarden van C en L van de gebruikte aansluitkabel overschrijden.
 De gebruiker dient zelf de barrière te selecteren en te zorgen voor de onderlinge verbindingen.

Pn	max. omgeving °C (1)				magneetventiel afzonderlijk gemonteerd
	T6 85°C	T5 100°C	T4 135°C	oppervlaktetemperatuur	
0,25 / 0,5	40	40	50	60	magneetventiel in serie gemonteerd
	-	-	-	50	

Controleer of het vermogen geschikt is voor het gekozen product.
Toegestane minimale omgevingstemperatuur: -10°C (0,5W) / 0°C (0,25W)
 Deze temperatuur kan worden beperkt door de werkt temperatuur van het stuurventiel of spoelventiel.

Berekening van de bedrijfsvoorwaarden:

12 V of 24 V met LED:

$$I_i \text{ (mA)} = \frac{[V_s - 1,2 - 0,003 (R_b + R_i)] \times 1000}{(R_b + R_i + R_c)} + 3$$

12 V or 24 V zonder LED:

$$I_i \text{ (mA)} = \frac{[V_s - 1,2 - 0,003 (R_b + R_i)] \times 1000}{(R_b + R_i + R_c)}$$

0,25 W:

24 V met LED :

$$I_i \text{ (mA)} = \frac{[V_s - 1,2 - 0,002 (R_b + R_i)] \times 1000}{(R_b + R_i + R_c)} + 2$$

Deze waarde (I_i) evenals de maximumstroom van de barrière/interface (indien niet-lineair) dient hoger te zijn dan 33 mA (12 V met LED), 25 mA (24 V met LED, 0,5 W), 20 mA (24 V met LED,



0,25 W), 30 mA (12 V zonder LED), 22 mA (24 V zonder LED).
I_i (mA) Minimale toevoersterstand voor het product
R_i (Ω) Max. barrièreweerstand
T_i (°C) Max. omgevingstemperatuur
V_i (V) Max. weerstand van aansluitkabels
V_s (V) Min. nullastspanning van barrière/interface
R_c (Ω) Max. spoelweerstand

12 V met of zonder LED = $\frac{288 (T_s + 234 + 10)}{254}$

24 V met of zonder LED = $\frac{563 (T_s + 234 + 10)}{254}$

Afhankelijk van de omgevingstemperatuur en het toegepaste vermogen kan het noodzakelijk zijn om een hittebestendige kabel te gebruiken, die bestand is tegen de temperatuur die op de spoel staat vermeld.
 Neem alle voorschriften conform de Europese richtlijn 1999/92/EG en de hiervan afgeleide normen strikt in acht.

COMPATIBELE BARRIÈRES EN INTERFACES

Deze 12 V en 24 V DC magneetventielen zijn compatibel met de barrières die worden vermeld in de tabel op bladzijde 32/33. De 12 V DC ventielen die compatibel zijn met 24 V DC barrières worden vermeld in de index (1).
 In veilige ruimten geplaatst kunnen deze barrières en interfaces de intrinsiek veilige magneetventielen voeden die geplaatst zijn in explosiegevaarlijke ruimten. Deze apparatuur dient te worden besteld bij de respectievelijke producenten waarbij vermeld dient te worden dat deze zijn bedoeld om intrinsiek veilige magneetventielen 302 1...IA, II 1 G Ex ia IIC T6 tot T4 Ga, II 1 D Ex ia IIC T85°C tot T135°C D te voeden.
 Afhankelijk van de zones en volgens de nationale wetgeving is de certificatieprocedure met betrekking tot de combinatie van IS-producten van toepassing.
 ASCO Numatics kan niet aansprakelijk worden gesteld voor het gebruik van producten van andere leveranciers en de mogelijke wijzigingen van de eigenschappen ervan.

ELEKTRISCHE INSTALLATIE

Het magneetventiel dient te worden geïnstalleerd op verantwoordelijkheid van het bedrijf dat de industriële vestiging beheert. Het systeem als geheel dient conform de norm EN60079-14 te zijn.
Schakel voor iedere interventie de elektrische stroom uit om de componenten uit te schakelen.
 Vóór gebruik dienen alle schroefaansluitingen volgens het juiste koppelt te zijn aangedraaid.

⚠ Installeer de kabel zodanig dat er geen spanning op het ventielhuis staat.

- Wanneer u de kabels aansluit op de magneetventielen serie 302, plaats u de kabels eerst in de kabelgooten of zweefbanen voordat u deze bevestigt aan de stekers.
 De aansluiting komt tot stand door:
- Uitmenebare stekers met beschermingsgraad IP65 (gemontereerde stekers). Bevestig iedere draad op de klem van de stekers volgens het vermelde koppelt. Het aandraaikoppelt voor de kabelpakking is 2,5 ± 0,1 Nm om stevigheid te garanderen volgens IP65.
 - Catalogusnummer van haakse stekers, ISO 15217/DIN 43650, formulier C - 88130216 (kabelring diameter 4 tot 6 mm)
 - Catalogusnummer van haakse stekers DIN 43650, 9,4 mm, industriële norm B: 88130202 (kabelring diameter 4 tot 6 mm)
 - Steker M12 (+24 V DC), beschermingsgraad IP67 (indien naar behoren gemonteerd)
 - Catalogusnummer van haakse stekers aan te sluiten: **88130221**
 - Catalogusnummer van rechte stekers aan te sluiten: **88130222**

U MOET de meegeleverde aansluiting gebruiken. Als er geen connector bij de magneetafsluiter zit, moet de gebruiker een IP6X gecertificeerde connector monteren die geschikt is voor het bereik aan bedrijfstemperaturen van de magneetafsluiter. Bij elke andere montagewijze vervalt de typegoedkeuring. U mag de aansluiting niet in ingeschakelde toestand monteren of verwijderen.

Werkings: Voer een elektrische test uit voordat u het circuit onder druk zet. Zet de spoel diverse keren onder stroom

en luister of u de metalen «klik» hoort die aangeeft dat de magneetkop werkt.
 Personeel dat met de componenten werkt dient vertrouwd te zijn met elektrische besturing zoals redundancies en feedback (elektronische besturing), indien van toepassing.
Gebruik: De spoelen zijn ontworpen voor continu gebruik, en kunnen daardoor heet worden.
 Als de magneetafsluiter makkelijk toegankelijk is, zorg dan voor beschermende middelen ter voorkoming van onbedoeld contact dat brandwonden kan veroorzaken.
 Om oververhitting te voorkomen, mag u de magneetafsluiter niet gebruiken in een besloten ruimte zonder voldoende ventilatie.

AANSLUITING

- Sluit alle poorten aan die in contact kunnen komen met vloeistoffen. Montage op ISO 15218 (CNOMO basisplaat grootte 15). Controleer of alle afdichtingen op de montageplaat zijn geplaatst.
- Installeer eerst de 2 M3 x 20 schroeven afwisselend en gelijkmatig tot een aanhaalkoppelt van 0,3/0,5 Nm, en draai ze vervolgens vast tot een aanhaalkoppelt van 1 Nm ^{+0,2} (E).
- Reinig alle aan te sluiten leidingen.
- Neem de stromingsrichting van de vloeistof in acht.
- Gebruik uitsluitend de geleverde aansluitmogelijkheden.
- Zorg ervoor dat er geen losse deeltjes in het circuit komen, met name wanneer u de aansluiting lekdicht maakt.
- Met de handbediening, aangeduid met het symbool (H), kunt u de afsluiter bedienen bij stroomuitval.
- Neem de toegestane buigstraal voor de buizen in acht; belemmer de poorten voor de vloeistofcirculatie niet.
- Buizen en aansluitelementen mogen geen enkele kracht, torsie of druk op het product uitoefenen.
- Gebruik geschikt gereedschap en plaats het montagegereedschap zo dicht mogelijk bij het aansluitpunt.
- Neem het aanbevelen koppelt in acht wanneer u de buis-aansluitingen aandraait.
- Aansluitingen dienen duurzaam te zijn.

LET OP

Overschrijding van het elektrisch vermogen van de spoel kan schade of vroegtijdige gebreken aan de spoel veroorzaken. Hierdoor komt ook de goedkeuring voor gebruik in explosieve atmosferen veroorzaakt door gassen en stof te vervallen.

WAARSCHUWING: De spoel en aansluitingen mogen niet gedemonteerd of verwijderd worden door onbevoegd personeel. Zorg ervoor dat u tijdens het demonteren of hermonteren van de aansluitingen/spoel de contactvlakken niet beschadigt.
Door onjuiste montage vervalt de typegoedkeuring.

GEbruik

Raak de spoel niet aan, om persoonlijk letsel en beschadiging van de apparatuur te voorkomen. Ook bij normaal gebruik kan de spoel heet worden. Als de magneetafsluiter makkelijk toegankelijk is, dient de installateur te zorgen voor bescherming tegen onbedoeld contact.
 Reinig het spoeloppervlak altijd met een vochtige doek om het ontstaan van statische elektriciteit te voorkomen. Gebruik geen oplosmiddelen.

ONDERHOUD

LET OP : Schakel de elektriciteit uit voordat u met het onderhoud begint.
 Neem alle voorschriften conform de Europese richtlijn 1999/92/EG en de hiervan afgeleide normen strikt in acht. Er zijn geen ATEX-reserveonderdelen leverbaar.
 Het magneetventiel kan niet worden gedemonteerd of aangepast.
 Haal de spoel nooit los van het pneumatische deel van de magneetafsluiter.
DEMONTAGE/MONTAGE VAN DE MAGNEETAFLUITER-AANSLUITING:
 Deze handeling dient te worden uitgevoerd door voldoende gekwalificeerd personeel.
 Schroef de aansluiting los en verwijder deze.
 Monteer alle delen in omgekeerde volgorde (neem de vermelde aandraaikoppelt in acht (A)).
 De afsluiter en het samenstel van de afdichting en de aansluiting moeten in hun geheel zijn gemonteerd om beschermingsklasse IP65/IP67 te realiseren.
Door onjuiste montage vervalt de typegoedkeuring. Indien de gebruiker zelf onderdelen vervangt, kan ASCO Numatics de tracerbaarheid van het eindproduct niet garanderen en dient de gebruiker hiervoor te zorgen.

GENERELT
 Disse installasjons- og vedlikeholdsinstruksene er for serien 302 1...IA, magnetventiler, med festepute til ISO 15218 [CNOMO størrelse 15 (E06.36.120N)].

I tilfelle av sammensettning med eller installasjon på en annen ventil, må installasjons- og vedlikeholdsinstruksene og konformitetserklæringer for den spesifikke ventilen tas hensyn til ved montering og bruk av magnetventilen.

Svikt, skade eller personskaade kan inntreffe dersom disse instruksene ikke følges.

Denne komponenten er ikke sikkerhetstilbehør og er bare beregnet på føyelig bruk enten som en enkeltkomponent eller innlemmet i et apparat, maskineri og installasjoner. Montering, bruk og vedlikehold må utføres av kvalifisert og autorisert personale. Personale som arbeider med komponentene må være kjent med sikkerhetsreglene og -kravene forbundet med komponentene, apparatet, maskineriet og elektriske installasjoner (for ventiler, magnetventiler, elektronisk kontrollutstyr og luftserviceutstyr). Hvis det inntreffer problemer, vennligst ta kontakt med ASCO Numatics eller en av våre autoriserte representanter.

BEKRIVELSE

Magnetventilen av type 302 1...IA, er beregnet på styring av væsker.

Viktige helse- og sikkerhetskrav:
 Magnetventil, type 302 1...IA, er designet i samsvar med IEC- og EN-standardreferanser: 60079-0, 60079-26 og 60079-11.
Klassifisering:
 II 1 G Ex ia IIC T6 til T4 Ga
 II 1 D Ex ia IIC T85°C til T135°C Da IP65 eller IP67

Alle samsvarsertifikatene i samsvar med disse standardene foreligger på www.asconumatics.eu

EC-type test sertifikatnr.: **INERIS 03 ATEX 0249 X**
 IECEx samsvarsertifikatnr.: **IECEX INE 10.0002X**

INSTALLERING

Spesielle vilkår for sikker bruk:
 ASCO Numatics-komponenter er kun beregnet på bruk innenfor de tekniske karakteregenskapene som er spesifisert på navneplaten eller i dokumentasjonen. Endringer i utstyret er kun tillatt etter rådføring med produsenten eller dennes representant. Denne magnetventilen, som er utstyrt med en Ex ia-merket spoleoperatør er beregnet på installasjon i potensielt eksplosive atmosfæreforårsaket av gasser i gruppe IIA, IIB og IIC, damp eller tåke i gruppe II (EPL Ga) og støv i gruppe III (EPL Da).

Klassifiseringen for overflatetemperaturen er T6-T85°C til T4-T135°C og er avhengig av merkestrømmen og -temperaturen i omgivelsene som er angitt på spolen og montering av produktet.

Depending on the ambient temperature/power rating, a heat resistant cable suitable for the temperature indicated on the coil must be used.

Forberedelse:

- Kontroller forholdene for midlertidig lagring som kreves for komponenten. De må være i henhold til produktets spesifikasjoner.
- Fjern komponentene forsiktig fra innpakningen.
- Slå av og reduser trykket i apparatet, maskineriet eller installasjonen som er beregnet på å motta komponenten. Fastsatt krav for avslåing og trykkreduksjon for å forhindre uautoriserte inngrep.
- Sorg for at enheten, dens komponenter og området rundt er rene og beskyttet dem mot skade.
- For å beskytte utstyret skal du installere en fullgod sil eller filter oppstrøms fra og så nær komponenten som mulig.
- Ikke modifiser enheten.
- Sorg for at magnetventilens festepute er ren for å forhindre skade på tetningene.
- Sorg for at væsken er kompatibel med materialene den kommer i berøring med.
- Benyttede væsker: luft eller naturgass, filtrert (50µm).
- Tillatt væsketemperatur:
0,25 W: 0°C til +40°C

- 0,5 W: -10°C til +40°C.**
 Denne temperaturen kan være begrenset av merketemperaturen for styreventilen eller spoleventilen Duggpunkt: -20°C.
- Magnetventilen må installeres i et ikke-korroderende luft- eller væskemiljø.
- Beskyttelsesgrad i henhold til EN 60529: IP6X

ELEKTRISKE EGENSKAPER

Spoler likestrøm (=) type (serie) 302 1...IA.
 Nominell nettspenning: Umaks. = 28 V
 Maks. strømforbruk: Imaks. = 70 mA (12 V) eller 40 mA (24 V)
 Maks. tapseffekt: Pmaks. = 1,6 W
 Isolasjonsklasse F (155°C) 100 % E.D

Pn	sikkerhetsparametere				
	U _i (= likestrøm) (V)	I _i (mA)	P _i (W)	L _i (mH)	C _i (µF)
0,25 / 0,5	28	300	1,6	0	0

Magnetventilytten 302 1...IA, må forsynes med strøm fra en spenningsperre sertifisert for bruk i potensielt eksplosive atmosfærer av gruppene IIC, IIB eller IIA og ha en utgangskrets som er merket egensikker. Ventil og sperrerkombinasjonen må være kompatible med hensyn til egensikkerhet. Når den brukes i soné 0 av gruppe IIC må magnetventilen være beskyttet mot ekstern luftstrøm for å forhindre elektrostatiske ladninger. Spenningsvernet for utstyret må ha følgende maksimalegenskaper: U_o = 28 V; I_o = 300 mA eller Po = 1,6 W. Siden de to parametrene Ci og Li for utstyret begge er lik null, må de maksimale utgangsegenskapene for Co og Lo for spenningsvernet være større enn de effektive verdiene av Ci og Li for forbindelseskabelen som brukes. Valg av spenningsvern og sammenkoblingene er brukerens ansvar.

Pn (watt)	maks. omliggende °C (1)			
	overflatetemperatu			
	T6 85°C	T5 100°C	T4 135°C	T4 135°C
0,25 / 0,5	12V/24V	12V/24V	12V/24V	12V/24V
	40	40	50	60
	-	-	50	50

isolasjonsklasse F (155°C) 100% E.D. (2)

Kontroller at det er kompatibilitet med effekten til det valgte produktet.

Minimum omliggende temperatur: **-10°C (0,5W) / 0°C (0,25W)**
 Denne temperaturen kan være begrenset av merketemperaturen for styreventilen eller spoleventilen.

Beregning av driftsforhold:

12 V eller 24 V med LED :

$$I_i \text{ (mA)} = \frac{[V_s - 1,2 - 0,003 (R_i + R_s)] \times 1000}{(R_i + R_s + R_e)} + 3$$

12 V eller 24 V uten LED :

$$I_i \text{ (mA)} = \frac{[V_s - 1,2 - 0,003 (R_i + R_s)] \times 1000}{(R_i + R_s + R_e)}$$

0,25 W:

24 V med LED :

$$I_i \text{ (mA)} = \frac{[V_s - 1,2 - 0,002 (R_i + R_s)] \times 1000}{(R_i + R_s + R_e)} + 2$$

Denne verdien (I_i) samt maksimalstrømmen til vernet/grensesnittet (hvis den er ikke-lineær) må være større enn 33 mA (12 V med LED), 25 mA (24 V med LED, 0,5 W), 20 mA (24 V med LED, 0,25 W), 30 mA (12 V uten LED), 22 mA (24 V uten LED).
 I_i (mA) Minimum strømforsyning for produktet
 R_i (Ω) Maks. motstand i spenningsvern

T (°C) Maks. omliggende temperatur
 R_i (Ω) Maks. motstand i forbindelseskabler
 V_s (V) Min. tomgangsspenning av spenningsvern/grensesnitt
 R_e (Ω) Maks. spolemotstand:

$$12 \text{ V med eller uten LED} = \frac{288 (T_s + 234 + 10)}{254}$$

$$24 \text{ V med eller uten LED} = \frac{563 (T_s + 234 + 10)}{254}$$

Avhengig av omliggende temperatur/merkestrøm må det brukes en varmebestandig kabel som egner seg for temperaturen som er indikert på spolen. Installasjonen skal utføres i overensstemmelse med kravene i direktiv 1999/92/EC og tilknyttede standarder.

KOMPATIBLE BARRIERER OG GRENSESNIITT

Disse spoleventilene på 12 V og 24 V er kompatible med barrierene som er oppført i tabellen på side 32/33. Ventilene med 12 V likestrøm som er kompatible med barrierer for 24 V likestrøm er identifisert av indeksen (1). Disse barrierene og grensesnittene er plassert i trygge områder og gjør at egensikre spoleventiler som befinner seg i eksplosive områder kan få tilførsel. Dette utstyret må bestilles fra de respektive produsentene med spesifikasjon om at de er beregnet på tilførsel til egensikre spoleventiler 302 1...IA, II 1 G Ex ia IIC T6 til T4 Ga, II 1 D Ex ia IIC T85°C til T135°C D. Avhengig av sonene og i samsvar med landets lovgivning skal det benyttes den sertifiseringsrutinen som er godkjent av foreningen for egensikre produkter. ASCO Numatics påtar seg intet ansvar for bruk av produkter fra andre leverandører og mulig modifiseringer av deres egenskaper

ELEKTRISK INSTALLASJON

Magnetventilen må monteres av selvskapet som har ansvaret for å drive industriallegget. Systemet som helhet må være i samsvar med standard EN60079-14.
For eventuelle inngrep må du slå av strømmen slik at komponentene slås av.
 Alle skrueskruer må strammes til riktig moment for bruk.

⚠ Installer kablet slik at det ikke er noen spenning på ventilen.

Når du kobler kablet til ventilene i serien 302 solenoid, må du først plassere kablet i kabelbakken eller vaiholderen der du kobler dem til kontaktene.

- Den elektriske forbindelsen gjøres med:
- avtakbar konektor med en IP65-beskyttelse (når korrekt monter). Stram hver ledning på kontaktens pol til angitt moment. Strammementet for kabelmuffen er 2,5 ±0,1 Nm for å sørge for stramhet i henhold til IP65. Katalognummer for rettvinglet kontakt, ISO 15217/DIN 43650, skjema C: 88130216 (kabelinngangdia. 4 til 6 mm) Katalognummer for rettvinglet kontakt DIN 43650, 9,4 mm, industri-standard B: 88130202 (kabelinngangdia. 4 til 6 mm)
- M12-konnektor, (+24 V DC), IP67-beskyttelse (når riktig monter).
- Katalognummer for rettvinglet kontakt skal koples: **88130221**
- Katalognummer for rett kontakt skal koples: **88130222**
- Konnektoren som leveres med hvert produkt MA monteres. Hvis en kontakt ikke er levert sammen med magnetventilen, må brukeren montere en sertifisert IP6X-kontakt i henhold til driftstemperaturområdet til solenoiden. Enhver annen montasje/installasjon vil gjøre godkjenningen ugyldig. Ikke monter eller fjern konnektoren mens strømmen er PÅ.**

Betjening: For kretsen settes under trykk må du utføre en elektrisk test. Sett strøm på spolen flere ganger og lytt etter det metalliske "klikket" som indikerer at spoleoperatøren fungerer. Personale som arbeider med komponentene må være fortløpelig med elektriske kontroller, som for eksempel redundans og tilbak kobling (elektroniske kontroller) hvor aktuelt.
Bruk: Spoler er beregnet på kontinuerlig energisert drift, og kan derfor bli varme.

Hvis magnetventilen er lett tilgjengelig, bør du sørge for vernetiltak for å forhindre tilfeldig kontakt som kan forårsake brannskade.
 For å unngå overoppheting, må du ikke bruke spoleventilen i et innelukket rom uten tilstrekkelig ventilasjon.

TILKOBLING

- Koble til alle porter som kan komme i kontakt med væsker. Monter i samsvar med ISO 15218 (CNOMO størrelse 15 monteringspute). Sorg for å kontrollere at alle pakninger er plassert på monteringsputen. Forhåndsmønter 2 M3 x 20-skrur vekselvis og jevnt opp til strammemoment på 0,3/0,5 Nm og deretter stramme dem til et moment på 1 Nm ±0,2 (E).
- Rengjør rørene som skal koples til komponenten.
- Sorg for at du merker deg størst væskens flytetrening.
- Bruk kun de medfølgende tilkoplingsmulighetene.
- Sorg for at det ikke kommer noen fremmedlegemer inn i kretsen, spesielt når du gjør koblingen lekkasjesikker.
- Den manuelle overstyringen, som er angitt med symbolet (H), gjør at du kan bruke ventilen uten elektrisk kraft.
- Sorg for å merke deg største tillatte bøyning for rørene. Dessuten må ikke væskesirkulasjonen i portene begrenses.
- Rør og koblingsselementer må ikke utøve noe kraft, moment eller påkjenning på produktet.
- Bruk formålstjenlig verktøy og plasser monteringsverktøy så nær tilkoblingspunktet som mulig.
- Sorg for at du merker deg det anbefalte momentet når du strammer til rørkoblinger.
- Koblingene må gjøres varige.

FORSIKTIG

Å ikke holde seg innenfor den elektriske området for spolens klassifiseringen vil føre til skade på eller for tidlig svikt i spolen. Dette vil også gjøre ugyldig dens godkjenning for bruk i eksplosive atmosfærer forårsaket av gass eller støv.

ADVARSEL : Det er ikke tillatt for uautorisert personale å demontere eller fjerne spolen eller konnektorenheten. Vær forsiktig slik at berøringsflatene ikke skades når du demonterer eller remonterer konnektor/spole-montasjen.
Feilmontering vil gjøre godkjenningen ugyldig.

SERVICE

For å forhindre mulig risiko for skade på personer eller eiendom bør spolen ikke berøres. Spolen kan bli varm under normale driftsforhold. Hvis magnetventilen er lett tilgjengelig, må installatøren sette opp vern som forhindrer tilfeldig kontakt. Rengjør overflaten på spolen kun med en fuktig klut for å forhindre elektrostatiske fare. Opplosningsmidler må ikke brukes.

VEDLIKEHOLD

ADVARSEL: Slå av strømmen for service. Installasjonen skal utføres i overensstemmelse med kravene i direktiv 1999/92/EC og tilknyttede standarder. Det er ingen ATEX-reservedeler tilgjengelig. Magnetventilen kan ikke demonteres eller justeres. Spolen må ikke fjernes fra trykkluftdelen av spoleventilen.

DEMONTERING/MONTERING AV SPOLEVENTIKONNEKTOR:
 Dette må bare gjøres av personale med de rette kvalifikasjonene.
 Skru ut og fjern konnektoren.
 Remonter i motsatt rekkefølge fra demontering (sørg for å bruke riktig strammemoment (A)).
 Ventilen og montasjen som består av tetningen og konnektoren må være fullstendig remontert for at IP65/IP67-beskyttelse skal kunne sertifiseres.

Feilmontering vil gjøre godkjenningen ugyldig. Hvis brukeren bruker erstatningsdeler kan sporbarheten til det endelige produktet ikke garanteres av ASCO Numatics og må sikres av bruker.

ALLMÄNT
 De här installations- och skötselavvisningarna gäller för serien 302 1...IA, solenoidventiler, med monteringsplatta till ISO 15218 [CNOMO storlek 15 (E06.36.120N)].

Vid sammansättning eller installation med en annan typ av ventil, ska riktlinjerna i Installations- och underhållsinstruktionerna för den specifika ventilen följas vid hopsättning och driftsättning av solenoidventilen.

Funktionsförningar, defekter eller skada kan inträffa om dessa instruktioner inte följs. Den här komponenten är inte ett säkerhetstillbehör, den är enbart avsedd för medgiven tillämpning antingen som en enskild komponent eller inbyggd i en apparat, maskin eller installation.

Montering, användning och underhåll för enbart utföras av behörig och auktoriserad personal. Personalen som arbetar med komponenterna ska känna till gällande säkerhetsföreskrifter och förutsättningar som gäller för komponenter, apparater, maskiner och elektriska installationer (för ventiler, solenoidventiler, elektronisk kontrollutrustning, luftbehandlingsutrustning). Om problem uppstår, var god kontakta ASCO Numatics eller en auktoriserad representant.

BESKRIVNING

Solenoidventil typ 302 1...IA, är avsedd för flödeskontroll. **Grundläggande hälso- och säkerhetsföreskrifter:** Solenoidventil, typ 302 1...IA, är konstruerad enligt IEC- och EN- standarderna med referenserna: 60079-0, 60079-11 och 60079-26.

Klassificering: **II 1 G Ex ia IIC T6 till T4 Ga**
II D Ex ia IIC T85°C till T135°C Da
IP65 eller IP67

Alla certifikat för överensstämmelse med dessa standarder finns på www.asconumatics.eu

EC-typ utvärdering, certifikat nr: **INERIS 03 ATEX 0249 X**
 IECEx-intyg om överensstämmelse nr.: **IECEX INE 10.0002X**

INSTALLATION

Villkor för säker användning:
 ASCO Numatics-komponenter är enbart avsedda för användning enligt de tekniska egenskaper som specificerats på namnplattan eller i dokumentation. Modifikationer av utrustningen är enbart tillåtet med medgivande från tillverkaren eller auktoriserad representant. Den här solenoidventilen som är utrustad med en Ex ia-märkt solenoidoperatör är konstruerad för att installeras i en potentiellt explosiv atmosfär som kan uppstå genom gaser, grupp IIA, IIB och IIC, ångor eller dimmor i grupp II (EPL Ga) och damm i grupp III (EPL Da). Klassifikationen av yttemperaturer är T6-T135°C..T4-T135°C och beroende av märkeffekten och omgivningstemperaturen som står angiven på spolen och hopsättning av produkten. Depending on the ambient temperature/power rating, a heat resistant cable suitable for the temperature indicated on the coil must be used.

Förberedelse:
 • Kontrollera vilka förberedande förvaringsförhållanden som krävs för komponenten. Det är viktigt att dessa uppfyller produktspecifikationerna.
 • Packa försiktigt upp komponenterna.
 • **Slå av strömförsörjningen och koppla bort trycket från apparater, maskiner eller installationen** som konstruerats för att användas med komponenten. Vidta åtgärder som försäkrar att ström och tryck inte kan kopplas på innan detta är önskvärt.

• Se till att enheten, dess komponenter och omgivning är ren och skydda dem mot slitage.
 • För att skydda utrustningen ska en lämplig sil eller ett filter installeras uppströms och så nära komponenten som möjligt.
 • Utför inga ändringar på enheten.
 • Se till att solenoidventilens kontaktytor är rena då detta förebygger att packningarna tar skada.
 • Se till att vätskorna är kompatibla med materialen som de kommer i kontakt med.
 • Vätskor som används: luft eller neutral gas, filterträd (50µm). Tillåten vätsketemperatur:
0,25 W: 0°C till +40°C
0,5 W: -10°C till +40°C.

Den här temperaturen kan begränsas av pilotventilens eller rundsilventilens arbetstemperaturgräns Dagpunkt: -20°C.
 • Solenoidventilen ska installeras i en icke korrosiv, luft- eller vätskeomgivning.
 • Skyddsåtgärder enligt EN 60529: IP6X

ELEKTRISKA SPECIFIKATIONER

DC-spolar (-) typ (serie) 302 1...IA.
 Nominell försörjningsspänning: U_{max} = 28 V
 Max. strömförbrukning : I_{max} = 70 mA (12 V) eller 40 mA (24 V)
 Max. energiförlust: P_{max} = 1,6 W
 Isoleringsklass F (155°C) 100% E.D.

Pn	säkerhetsfaktorer				
	U _i = (DC) (V)	I _i (mA)	P _i (W)	L _i (mH)	C _i (µF)
0,25 / 0,5	28	300	1,6	0	0

Solenoidventilen av typ 302 1...IA, ska strömförsörjas via en spänningsspår som är certifierad för användning i potentiellt explosiva atmosfärer av grupp IIC, IIB eller IIA och ha en egensäker utgångskrets. Kombinationen av ventili och spår ska vara likställt vad det beträffar egensäkerhet. Vid användning i zon 0 i grupp IIC, ska solenoidventilen skyddas från yttre luftspänningar för att förebygga statisk elektricitet.

Utrustningens spänningsspår ska uppfylla följande maxivärden: U_o = 28 V; I_o = 300 mA eller P_o = 1,6 W. Eftersom utrustningens parameter för Ci och Li båda är noll måste spänningsspårrens maximum utgående värde för Co och Lo överstiga anslutningskabslens effektiva värden för C och L. Användaren ska ansvara för korrekt spår används och att anslutningarna görs på rätt sätt.

Pn	max omgivningstemp °C (1)					en monterad solenoidventil seriemonterad solenoidventil
	yttre temperatur					
	T6 85°C	T5 100°C	T4 135°C			
(watt)	12V/24V	12V/24V	12V/24V	12V/24V	12V/24V	
0,25 / 0,5	40	40	50	60	60	60
	-	-	-	50	50	

Kontrollera att strömstyrkan överensstämmer med den valda produkten.

Lägsta tillåtna omgivningstemperatur är: -10°C (0,5 W) / 0°C (0,25 W)
 Den här temperaturen kan begränsas av pilotventilens eller rundsilventilens arbetstemperaturgräns.

Beräkning av driftförhållanden:

12 V eller 24 V med lysdiod :

$$I_i \text{ (mA)} = \frac{[V_s - 1,2 - 0,003 (R_e + R_i)] \times 1000}{(R_e + R_i + R_i)} + 3$$

12 V eller 24 V utan lysdiod :

$$I_i \text{ (mA)} = \frac{[V_s - 1,2 - 0,003 (R_e + R_i)] \times 1000}{(R_e + R_i + R_i)}$$

0,25 W:

24 V med lysdiod :

$$I_i \text{ (mA)} = \frac{[V_s - 1,2 - 0,002 (R_e + R_i)] \times 1000}{(R_e + R_i + R_i)} + 2$$

Det här värdet (I_i) samt maximum spänning för spårren/gränssnittet (om ej linjärt) måste överstiga 33 mA (12 V med lysdiod), 25 mA (24 V med lysdiod, 0,5 W), 20 mA (24 V med LED, 0,25 W), 30 mA (12 utan lysdiod), 22 mA (24 V utan lysdiod).
I_i (mA) Minimum spänning för produktens strömförsörjning
R_e (Ω) Max. spårmotstånd
T_e (°C) Max. omgivningstemperatur
R_i (Ω) Max. motstånd för anslutningskablar
V_s (V) Min. tomgångsspänning för spårren/gränssnitt

R_e (Ω) Max. spölmotstånd:

$$12 \text{ V med eller utan lysdiod} = \frac{288 (T_e + 234 + 10)}{254}$$

$$24 \text{ V med eller utan lysdiod} = \frac{563 (T_e + 234 + 10)}{254}$$

Beroende på omgivningstemperaturen/märkeffekten måste en värmebeständig kabel användas som är lämpad för temperaturler enligt indikationen på spolen. Installationen ska utföras i enlighet med kraven enligt direktiv 1999/92/EC och tillhörande normer.

KOMPATIBLA SKYDDSBARRIÄRE/GRÄNSSNITT:

Dessa 12 V och 24 V DC solenoidventiler är kompatibla med skyddsbarriär enligt tabellen på sida 32/33. De 12 V DC ventiler är kompatibla med 24 V DC skyddsbarriärer enligt index (1). Skyddsbarriärerna och gränssnittet är placerade i säkra områden och tillåts mata de egensäkra solenoidventilerna i explosiva omgivning. Den här utrustningen måste beställas från dess respektive tillverkare med specifikation om att de är lämpade för matning av den egensäkra solenoidventilen 302 1...IA, II 1 G Ex ia IIC T6 till T4 Ga, II 1 D Ex ia IIC T85°C till T135°C D. Tillämpa relevant certifieringsprocedur för sammankoppling av egensäkra produkter i enlighet med zoner och samstämmighet med vidkommande lagstiftning. ASCO Numatics ansvarar inte för användning med produkter från andra tillverkare och eventuella modifikationer av dessa.

ELEKTRISK INSTALLATION

Solenoidventilen ska installeras under ansvar från företaget som driver anläggningen. Systemet i sin helhet ska uppfylla standarden EN60079-14.
Innan något utförs ska all strömförsörjning till komponenterna kopplas bort.
 Före användningen ska alla kontaktskruvar spännas åt enligt överensstämmande vridmoment.

⚠ Installera kabeln så att inte ventilkroppen utsätts för spänning.

Placera först kablarna i kabelrännan eller ledningskanal innan du kopplar dem till kontaktarna, när kablarna ansluts till magnetventiler av serie 302.
 Den elektriska anslutningen har gjorts av:
 • löstagbar koppling med skydd av klass IP65 (vid en korrekt koppling). Spänn fast alla kablar på kontaktarna enligt specificerat vridmoment. Vridmomentet för packboxen ska vara 2,5 ±0,1 N.m för att ansluta till IP65.
 Katalognummer för högvinklad koppling, ISO 15217/DIN 43650, form C : 88130216 kabelingång dia. 4 - 6 mm)
 Katalognummer för högvinklad koppling, DIN 43650, 9,4 mm, industristandard B: 88130220 kabelingång dia. 4 - 6 mm)

• M12-kontakt (+24 V DC) IP67-skydd (vid korrekt monterings).
 - Katalognummer för högvinklad koppling att kopplas: **88130221**
 - Katalognummer för rak koppling att kopplas: **88130222**

Kontaktens som levereras med varje produkt MÅSTE monteras. Om ett kontaktdon inte levereras med solenoidventilen måste användaren montera ett kontaktdon med IP6X-certifiering med hänsyn tagen till solenoidens intervall för driftstemperatur. All annan installation/sammankoppling är inte godkänd. Gör inga elektriska anslutningar eller bortkopplingar när strömmen är tillslagen.

Operation: Utför en elektrisk test innan kretsen sätts under tryck. Slå på strömmen för spolen och lyssna efter det metalliska klicket som indikerar att solenoidoperatören fungerar. Personalen som arbetar med komponenterna ska ha erfarenhet med elektriska kontroller såsom elektroniska överflödes- och återkopplingskontroller, där detta är tillämpligt.
Avvarning: Spolarna är konstruerade för kontinuerlig drift och kan av denna anledning bli varma.

Om solenoidventilen är lätt att komma åt ska tillämpligt skydd placeras för att förekomma oavsiktlig kontakt som kan ge brännskador.
 För att förebygga överhettning, använd inte solenoidventilen i ett instängt utrymme utan tillräcklig ventilation.

ANSLUTNING

• Anslut alla portar som kan komma i kontakt med vätska. Montera enligt ISO 15218 (CNOMO storlek 15 monteringsplatta). Se till att alla packningar placeras på monteringsplattan. Förinstallera de två M3 x 20 skruvarna jämt om och om, vid ett vridmoment på 0,3/0,5 Nm och spänn dem sedan med vridmoment 1 Nm ±0,2 (E).
 • Rengör insidan av de ledningar som ska anslutas till komponenten.
 • Observera flödesriktningen för vätskan.
 • Använd enbart erhållna anslutningsmöjligheter.
 • Se till att inget främmande material kommer in i kretsen, detta är särskilt viktigt när kopplingen ska göras tät.
 • Med den manuella företrädesstyrningen, indikerad med symbolen (), kan ventilen fungera vid ett eventuellt strömbrott.
 • Observera den tillåtna krökningsraden för ledningarna, motverka inte vätskeflödet vid portarna.
 • Rör- och kopplingsdelar får inte utgöra en forcerande belastning på produkten.
 • Använd rätt redskap och placera monteringsverktygen så nära anslutningspunkten som möjligt.
 • Observera det rekommenderade vridmomentet vid åtdragning av rörkopplingar.
 • Kopplingarna ska utföras så att de blir Blairbara.

VARSAMHET

Över- och underskridning av spolens märkvärde kan resultera i skada eller förkortad livstid på spolen. Detta innebär också att produkten inte är godkänd för användning i explosiva atmosfärer som kan uppstå genom gaser eller damm.

WARNING: Enbart auktoriserad personal får montera av eller ta bort spolen.
 Var försiktig så att kontaktytorna inte skadas vid (av-) monteringen av kopplingen/spolen.
En inkorrekt montering är inte godkänd.

SERVICE

För inte vid spolen då detta kan ge brännskador när spolen är varm. Spolen kan bli mycket varm under normala driftförhållanden. Om solenoidventilen är lätt att komma åt ska installatören förse med skydd mot oavsiktlig kontakt. Förebygg elektrostatiska faror och rengör spolens yta med enbart en fuktad duk. Använd aldrig lösningsmedel.

UNDERHÅLL

VARSAMHET: Vid service ska strömmen vara bortkopplad. Installationen ska utföras i enlighet med kraven enligt direktiv 1999/92/EC och tillhörande normer. Det finns ingen ATEX reservdelssats. Solenoidventilen kan inte tas isär eller justeras. Ta inte loss spolen från den pneumatiska delen på solenoidventilen.

AV/PÅMONTERING AV SOLENOIDVENTILKOPPLINGEN:
 Den här uppgiften får enbart utföras av behörig personal. Skruva loss och ta bort kopplingen. Montera på i omvänd ordning (se till att du använder rätt vridmoment (A)). Ventilen och monteringen som består av packning och koppling måste monteras för att uppfylla kraven för IP65/IP67-certifierat skydd.

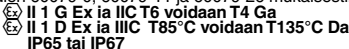
En inkorrekt montering är inte godkänd.
Om användaren själv byter ut en del kan slutproduktens spårbarhet inte garanteras av ASCO Numatics och måste därför säkerställas av användaren.

YLEISTÄ
 Nämä asennus- ja huolto-ohjeet on tarkoitettu sarjan 302 1...IA, magneettiventtiileille joiden kiinnitysalusta on ISO 15218 [CNOMO-koon 15 (E06.36.120N)] standardin mukainen

Jos solenoidiventtiili asennetaan muuhun venttiiliin, tämän muun venttiilin asennus- ja huolto-ohjeet on otettava huomioon solenoidiventtiilin kokoamisen ja käyttöönnoton yhteydessä. Toimintavirheet, vauriot tai henkilövahingot ovat mahdollisia, jos näitä ohjeita ei noudateta. Tämä osa ei ole turvalaite. Venttiili on tarkoitettu ohjeiden mukaiseen käyttöön joko erillisosana tai laitteeseen, koneeseen tai asennuskokonaistena asennettuna. Vain valtuutettu henkilöstö saa tehdä asennus-, käyttö- ja huoltotöitä. Osien parissa työskentelevän henkilöstön on tunnettava osien, laitteiston, koneiden ja sähköasennusten turvasäännökset (koskien venttiileitä, solenoidiventtiileitä, sähköisiä ohjausosia ja paineilmalaitteita). Ota ongelmatapauksissa yhteyttä ASCO NumaticsIIN tai sen valtuutettuun edustajaan.

KUVAUS

Typin 302 1...IA, magneettiventtiili on tarkoitettu väliaine-virtauksen hallintaan.

Tärkeimmät terveys- ja turvallisuusvaatimukset:
 Typin 302 1...IA, magneettiventtiili on suunniteltu IEC- ja EN-standardien 60079-0, 60079-11 ja 60079-26 mukaisesti.
Luokitus:  **Ex II 1 D Ex ia IIC T85°C voidaan T135°C Da IP65 tai IP67**

Kaikki näiden standardien mukaiset vaatimustenmukaisuustodistukset löytyvät osoitteesta www.asconumatics.eu

EY-tyyppitarkastustodistus nro: **INERIS 03 ATEX 0249 X**
 IECEx:n vaatimustenmukaisuustodistuksen nro: **IECEx INE 10.0002X**

ASENNUS

Turvalliset käyttöolosuhteet:
 ASCO Numatics-osat on tarkoitettu käytettäväksi vain tyyppikilvessä tai asiakirjoissa määritellyjen teknisten ominaisuuksien mukaisesti. Osien saa tehdä muutoksia vain valmistajan tai valmistajan edustajan luvalla. Tämä magneettiventtiili, jossa on standardin Ex ia mukainen magneettitoimilaite, on suunniteltu asennettavaksi ryhmän IIA, IIB ja IIC kuuluvien kaasujen, luokkaan II (EPL Ga) kuuluvien höyryjen tai sumujen sekä luokkaan III (EPL Da) kuuluvien pölyjen vuoksi mahdollisesti räjähdysalttiin ympäristöihin. Osan pintalämpötilaluokitus on T6-T85°C ..T4-T135°C ja se määrittäytyä kelalle asetetusta nimellistehosta, ympäröivästä lämpötilasta ja tuotteen kokoonpanosta. Depending on the ambient temperature/power rating, a heat resistant cable suitable for the temperature indicated on the coil must be used.

Valmistelu:

- Tarkista, millaisissa olosuhteissa osaa on säilytettävä ennen käyttöä. Olosuhteiden on oltava tuotteen teknisten tietojen mukaiset.
- Poista osat varovasti pakkauksista.
- Katkaise virta ja paine laitteesta, koneesta tai laitteistosta, johon osa on tarkoitettu asentaa. Noudata virrankatkaisun ja paineenkytyksen katkaisun vaatimuksia, jotta voit estää valkuuttamattoman käytön.
- Varmista, että laite, sen osat ja ympäristö ovat puhtaita ja suojaa niitä vaurioilta.
- Suojaa laitteistoa asentamalla asianmukainen siivilä tai suodatin ylivirtaussuuntaan ja mahdollisimman lähelle osaa.
- Älä muuta laitetta.
- Varmista, että solenoidiventtiilin asennusalausta on puhdas, jotta tiivisteet eivät vaurioidu.
- Varmista, että neste on yhteensopiva kosketuksiin joutuvien materiaalien kanssa.
- Käytettävät nesteet: ilma tai neutraali kaasu, suodatettu (50 µm).
- Sallittu nesteen lämpötila : **0,25 W: 0°C voidaan +40°C**

- 0,5 W: -10°C voidaan +40°C.**
 Tätä lämpötilaa saattaa rajoittaa piiliventtiiliin tai kelaventtiiliin käyttölämpötilaluokitus. Kaste piste: -20°C.
- Solenoidiventtiili on asennettava ei-syövyttävään, ilma- tai nesteympäristöön.
- Suojausluokkaa standardin EN 60529 mukainen: IP6X

SÄHKÖISET OMINAISUUDET

DC-kelat (=) tyyppi (sarja) 302 1...IA.
 Nimellinen syöttöjännite : Umaks. = 28 V
 Maksimivirrankulutus : Imaks. = 70 mA (12 V) tai 40 mA (24 V)
 Maksimitheohäviö : Pmaks. = 1,6 W
 Eristyslukko : F (155 °C), 100 % E.D.

Pn	turvapaametriit				
	U = (DC)	I _i	P _i	L _i	C _i
(W)	(V)	(mA)	(W)	(mH)	(µF)
0,25 / 0,5	28	300	1,6	0	0

Typin 302 1...IA, magneettiventtiilin virtalähteenä on käytettävä jänniterajapintaa, joka on hyväksytty käytettäväksi ryhmän IIC, IIB tai IIA räjähdysvaarallisissa tiloissa ja jonka lähtöpiiri on luokiteltu luonnostaan vaarattomaksi. Venttiiliin ja rajapinnan on oltava yhteensopiva luonnostaan vaarattomuuden suhteen. Ryhmän IIC alueella 0 käytettävän magneettiventtiilin on oltava suojattu ulkoisia ilmvirtauksia vastaan sähköstaattisen varauksen estämiseksi. Laitteen jänniterajapinnan enimmäisarvojen on oltava seuraavat: U_o = 28 V, I_o = 300 mA tai Po = 1,6 W Koska laitteen Ci- ja Li-parametrien arvo on nolla, jänniterajapinnan enimmäislähtöarvojen Co ja Lo on ylitettävä käytettävän liitäntäkaapelin teholliset Ci- ja L-arvot. Rajapinnan valinta ja liittäminen tekeminen ovat käyttäjän vastuulla.

Pn	ymp. maksimilämp. °C (1)			
	pinnan lämpötilat			
	T6	T5	T4	T4
(watt)	85°C	100°C	135°C	135°C
	12V/24V	12V/24V	12V/24V	12V/24V
Eristyslukko F (155°C) 100% E.D. (2)				
0,25 / 0,5	40	40	50	60
	-	-	-	50

itsenäisesti asennettu magneettiventtiili sarjaan asennettu magneettiventtiili

Tarkista tehon yhteensopivuus valitun tuotteen kanssa.
Ympäristön minimilämpötila: -10°C(0,5W)/0°C(0,25W)
 Ohjusventtiilin tai karaventtiilin käyttölämpötila-arvo voi rajoittaa tätä lämpötilaa.

Käyttöolosuhteiden laskenta:

12 V tai 24 V LEDillä:

$$I_i \text{ (mA)} = \frac{[V_s - 1,2 - 0,003 (R_e + R_i)] \times 1000}{(R_e + R_i + R_i)} + 3$$

12 V tai 24 V ilman LED:

$$I_i \text{ (mA)} = \frac{[V_s - 1,2 - 0,003 (R_e + R_i)] \times 1000}{(R_e + R_i + R_i)}$$

0,25 W:

24 V LEDillä:

$$I_i \text{ (mA)} = \frac{[V_s - 1,2 - 0,002 (R_e + R_i)] \times 1000}{(R_e + R_i + R_i)} + 2$$

Tämän arvon (I_i) sekä (epälineaarisen) rajapinnan/liittymän maksimivirran on ylitettävä 33 mA (12 V LEDillä), 25 mA (24 V LEDillä, 0,5 W), 20 mA (24 V LEDillä, 0,25 W), 30 mA (12 V ilman LEDiä), 22 mA (24 V ilman LEDiä).
I_i (mA) Tuotteen minimisyöttövirta
R_e (Ω) Rajapinnan maksimiresistanssi
T_e (°C) Ympäristön maksimilämpötila

- R_i (Ω)** Liitäntäkaapelin maksimiresistanssi
- V_s (V)** Rajapinnan/liittymän minimiyhtäjäkääntijännite
- F_e (Ω)** Kelan maksimiresistanssi:

$$12 \text{ V LEDin kanssa tai ilman} = \frac{288 (T_a + 234 + 10)}{254}$$

$$24 \text{ V LEDin kanssa tai ilman} = \frac{563 (T_a + 234 + 10)}{254}$$

Ympäristölämpötilan/teholuokituksen mukaan on käytettävä käämissä mainitun mukaiseen lämpötilaan sopivaa kuumuudenkestävää kaapelia. Noudata huollon aikana tarkoin kaikkia standardissa 1999/92/EY suositeltuja ja siihen liittyvien standardien mukaisia toimenpiteitä.

YHTEENSOPIVAT ESTEET JA KÄYTTÖLIITYMÄT

Nämä 12 V ja 24 V DC solenoidiventtiilit ovat yhteensopivia sivulla 32/33 olevassa taulukossa annettujen esteiden kanssa. Niiden venttiilien kohdalla, jotka ovat yhteensopivia 24 V DC -esteiden kanssa, on indeksi (1). Näiden turvallisuus-tiloissa sijaitsevien esteiden ja käyttöliittymien avulla voidaan syöttää räjähdysvaarallisissa tiloissa olevia luonnostaan vaarattomia solenoidiventtiileitä. Laitteet on tilattava kyseisiltä valmistajilta täsmäntäällä, että ne on tarkoitettu syöttämään luonnostaan vaarattomia solenoidiventtiileitä 302 1...IA., II 1 G Ex ia IIC T6 voidaan T4 Ga, II 1 D Ex ia IIC T85°C voidaan T135°C D. Alueiden mukaan ja maan lainsäädäntöä noudattaen on käytettävä SI-tuotteiden liiton hyväksyntämenettelyä. ASCO Numatics ei ole vastuuta niiden toimittajien tuotteista tai niiden ominaisuuksien muuttamisesta.

SÄHKÖASENNUS

Magneettiventtiili on asennettava käyttöpaikalla toimivan virtyksen vastuulla. Koko järjestelmän on oltava standardin EN 60079-14 mukainen.
Katkaise osien virransyöttö ennen asennuksen aloittamista.
 Kaikki ruuviliittimet on kiristettävä oikeaan momenttiarvoonsa ennen käyttöä.

Asenna kaapeli niin, ettei venttiilin rungossa ole jännitettä. Kun kytket kaapeleita sarjan 302 solenoidiventtiileihin, aseta kaapeli kaapelilyhyihin tai kaapelikouruihin, ennen kuin kiinnität ne liittimiin. Sähköliitoksen tekoon käytetään:

- irrotettavaa liittintä, jossa on IP65-suojaus (kun asennettu oikein). Kiristä liittimen kukaan johdin määritettyyn momenttiin. Kaapeliholkin kiristysmomentti on 2,5 ±0,1 Nm, jolla varmistetaan IP65-luokituksen mukainen tiiviyys. Kulmaventtiilin luettelunumero, ISO 15217/DIN 43650, lomake C: 88130216 (kaapelin sisääntulohalkaisija 4–6 mm)
- Kulmaventtiilin luettelunumero DIN 43650, 9,4 mm, teollisuusstandardi B: 88130202 (kaapelin sisääntulohalkaisija 4–6 mm)
- M12-liitin (+24 V DC), IP67-suojaus (kun asianmukaisesti asennettu).
- Kulmaventtiilin luettelunumero langoitettava: **88130221** - Suoraventtiilin luettelunumero langoitettava: **88130222** **Kunkin tuotteen mukana toimitettu liitin ON asennettava.** Ellei solenoidiventtiilissä ole liittintä, on käyttäjän asennettava solenoidin käyttölämpötila-alueen mukainen varmennettu IP6X-liitin. Muu kokoonpano/asennus mitätöi hyväksynnän. Älä kytke tai irrota liittintä virran ollessa PÄÄLLÄ.

Käyttö: Suorita sähkötestit ennen piirin paineistamista. Kytke käämin virta useita kertoja. Kuuntele metallista "naksahdusääntä", joka on osoitus siitä, että solenoidi toimii. Osien parissa työskentelevän henkilöstön on tunnettava sähkötekniset turvallisuusseikat, kuten jännönsäännitteet ja takaisinkytkentä (elektronikan turvallisuusseikat) työn niin vaatiessa.

Käyttötarkoitus: Käämit on suunniteltu toimimaan niin, että virta on jatkuva päällä. Tästä syystä käämit voivat kuumentua. Mikäli solenoidiventtiiliin pääsee helposti käsiksi, asentajan on laistettava suoja vahinkokosketusten estämiseksi, jotta palovammoilta vältytään. Ylikuumentamisen välttämiseksi solenoidiventtiiliä ei saa käyttää suljetussa tilassa ilman asianmukaista ilmanvaihtoa.

KYTKENTÄ

- Kytke kaikki portit, jotka voivat joutua kosketukseen nesteiden kanssa. Asennus tehdään ISO 15218 (CNOMO-koon 15) asennusalausta mukaisesti. Tarkista, että kaikki tiivisteet ovat asennusallustalla. Esiasenna 2 kpl M3 x 20 -ruuvia vuoronperään ja tasaisesti kireyteen 0,3/0,5 Nm ja kiristä ne sitten kireyteen 1 Nm ±0,2 (E).
- Puhdista putket, jotka aiotaan liittää osaan.
- Ota neste virtausuunta huomioon.
- Käytä vain toimitettuja liitäntämahdollisuuksia.
- Varmista, ettei mitään vierasta ainesta pääse mukaan kiertoon etenkin, kun liittoksesta tehdään vuototiivis.
- Käsitönnä ohituksen avulla, jonka merkintä on symboli (H), voit käyttää venttiiliä myös silloin, kun se ei ole jännitteellinen.
- Noudata letkujen sallittuja taaitosäteitä. Älä rajoita nesteen kiertoa portteissa.
- Letkut ja liittososat eivät saa kohdistaa mitään voimaa, momenttia tai rasitusta tuotteeseen.
- Käytä asianmukaisia työkaluja ja sijoita kokoamistyökalut mahdollisimman lähelle liitäntäkohtaa.
- Noudata suositeltua liikettä, kun kiristät putkiliitäntöjä.
- Liitokset on tehtävä kestäviksi.

HUOMAA

Mikäli ei pysytä käämin sähköisten rajojen puitteissa, käämi voi vaurioitua tai vioittua ennenaikaisesti. Tällä tavoin mitätöity myös hyväksyntä, joka koskee käyttöä kaasujen tai pölyjen aikaansaamissa räjähdysvaarallisissa ympäristöissä.

VAROITUS: Epäpätevä henkilöstö ei saa purkaa tai irrottaa käämiä tai liittimikokoonpanoa. Varo vaurioittamasta vastinpiintoja, kun purat tai kokoat liittimen/käämin kokoonpanoa. **Väärä asennus mitätöi hyväksynnän.**

HUOLTO

Älä koske käämiin välttämättä mahdolliset henkilövahingot tai omaisuusvahingot. Käämi voi olla kuuma normaaleissa käyttöolosuhteissa. Jos magneettiventtiiliin pääsee helposti käsiksi, asentajan pitää suojata se tapaturmamaisen kosketuksen varalta. Sähköstaattisen vaaran ehkäisemiseksi käämin saa puhdistaa vain kostealla liinalla. Älä käytä liuottimia.

HUOLTO

TÄRKEÄÄ: Sammuta sähkövirta ennen huoltoa. Noudata huollon aikana tarkoin kaikki standardissa 1999/92/EY suositellut ja siihen liittyvien standardien mukaisia toimenpiteitä. ATEX-varaosarajoja ei ole saatavilla. Magneettiventtiiliä ei saa purkaa eikä säätää. Älä poista käämiä solenoidiventtiilin pneumaattisesta osasta.

SOLENOIDIVENTTIILIN LIITTIMEN PURKAMINEN/KOKOAMINEN UUDELLAEN:

Tämän toimenpiteen saa suorittaa vain asiantunteva henkilöstö. Puhdista liittin irrota se. Koko uudelleen painevastaisessa järjestyksessä purkuun verrattuna (noudata kiristysmomenttia (A)). Venttiiliä ja kokoonpano, joka koostuu tiivisteistä ja liittimestä, on koottava kokonaan uudelleen, jotta IP65/IP67-suojauksen sertifiointi on voimassa.

Väärä asennus mitätöi hyväksynnän. Mikäli käyttäjä on vaihtanut yhdenkään osan, ASCO Numatics ei voi taata lopputuotteen jäljitettävyyttä, jolloin käyttäjän on itse varmistettava jäljitettävyyks.

GENERELT
 Denne installations og vedligeholdelsesvejledning er gældende for serierne 302.1...IA, magnetpoleventiler, med montageplade til ISO 15218 [CNOMO str. 15 (E06.36.120N)].

I tilfælde af montage eller installation på en anden ventil, skal installations og vedligeholdelsesvejledningerne og overensstemmelseserklæringen til denne specifikke ventil tages i betragtning ved montagen og i brugtagningen af magnetpoleventilen.

Funktionsforstyrrelser, ødelæggelse eller skader kan opstå, hvis disse anvisninger ikke bliver fulgt.

Denne komponent er ikke noget sikkerhedsudstyr, den er udelukkende beregnet til brug efter reglerne enten som individuelt komponent eller indbygget i et apparat, en maskine eller installation.

Alle montage, brug og vedligeholdelse skal udføres af kvalificeret, autoriseret personale. Personer, der arbejder med komponenterne, skal være bekendt med de sikkerhedsforskrifter og krav, der gælder for komponenter, apparatur, maskiner og elektriske installationer (for ventiler, magnetventiler, elektronisk udstyr og luftserviceudstyr). I tilfælde af problemer, kontakt ASCO Numatics eller en af dennes autoriserede repræsentanter.

BESKRIVELSE

Magnetpoleventilen af typen 302.1...IA er beregnet til væskekontrol.

Grundlæggende helheds- og sikkerhedskrav:
 Solenoideventil, type 302.1...IA, er konstrueret i henhold til IEC- og EN-normerne: 60079-0, 60079-11 og 60079-26.

Klassifikation: II 1 G Ex ia IIC T6 til T4 Ga
 II 1 D Ex ia IIC T85°C til T135°C Da
 IP65 eller IP67

Alle erklæringer om overensstemmelse med disse normer fås ved henvendelse til www.asconumatics.eu

EC-type test certifikat nr.: **INERIS 03 ATEX 0249 X**
 IECEx-overensstemmelseserklæring nr.:
IECEx IINE 10.0002X

INSTALLATION

Særlige krav for sikker brug:

ASCO Numatics komponenter er kun beregnet til brug under de tekniske vilkår der er beskrevet på fabrikkens etiket eller i dokumentationen. Ændringer af apparaturet er kun tilladt efter samråd med fabrikanten eller dennes repræsentanter. Denne magnetventil, der er udstyret med et Ex ia mærket magnetdrev, er beregnet på installation i potentielt eksplosive omgivelser forårsaget af gas (gruppe IIA, IIB og IIC), dampe eller tåge i gruppe II (EPL Ga) og støv i gruppe III (EPL Da). Overfladetemperaturens klassifikation er T6-T85°C til T4-T135°C og er afhængig af den nominelle effekt og den omgivelsetemperatur der er angivet på spolen og samling af produktet. Depending on the ambient temperature/power rating, a heat resistant cable suitable for the temperature indicated on the coil must be used.

Forberedelse:

- Undersøg inden brug, hvordan komponenten skal opbevares. Det skal svare til produktets specifikationer.
- Tag forsigtigt komponenterne ud af deres indpakning.
- **Slut strømmen fra og udløs trykket på det apparat**, den maskine eller installation, hvor komponenten skal monteres. Fastsæt krav for afbrydelse af strømmen og udløsning af trykket for at hindre et eventuelt uautoriseret indgreb.
- Sørg for, at enheden, dens komponenter og omgivelserne er rene, og beskyt dem mod skader.
- For at beskytte udstyret kan der installeres en si eller et filter i tilføjet og så tæt på komponenten som muligt.
- Foretag ingen ændringer af enheden.
- Sørg for, at magnetventilens monteringsplade er ren for at undgå, at pakninger bliver beskadiget.
- Sørg for, at mediet er foreneligt med de materialer, det kommer i kontakt med.
- Benyttede medier: luft eller neutral gas, filteret (50µm). Tilladt temperatur for mediet:

- **0,25 W: 0°C til +40°C**
0,5 W: -10°C til +40°C
 Denne temperatur kan blive begrænset af pilot- eller spoleventilens krav til arbejdstemperatur. Dugpunkt: -20°C.
- Magnetventilen skal installeres i ikke-zætsende luft- eller væskeomgivelser.
- Ingress protection rating according to EN 60529 : IP6X

ELEKTRISKE EGENSKABER

spoler DC (=) type (serierne) 302.1...IA.
 Nominel strømtilførsel : Umax = 28 V
 Maks. strømforbrug : Imax = 70 mA (12 V) eller 40 mA (24 V)
 Maks. strømtab : Pmax = 1,6 W
 Isolationsklasse F (155°C) 100% E.D.

Pn	sikkerhedsparametre				
	U = (DC)	I _i	P _i	L _i	C _i
(W)	(V)	(mA)	(W)	(mH)	(µF)
0,25 / 0,5	28	300	1,6	0	0

Magnetpoleventilen type 302.1...IA skal forsynes med strøm fra et strømræle der er certificeret til brug i potentielt eksplosive atmosfærer i grupperne IIC, IIB eller IIA og have en udgangskreds der er mærket intrinsisk sikker. Spole- og relæ kombinationen skal være kompatibel i forhold til intrinsisk sikkerhed.

Under brug i zone 0 i gruppe IIC, skal ydersiden af magnetpoleventilen beskyttes mod luftstrømme for at forebygge elektrostatisk opladning.

Strømrælet til udstyret skal have de følgende maksimum karakteristika: U_o = 28 V; I_o = 300 mA or P_o = 1,6W
 Eftersom udstyrets to parametre C_i og L_i begge er lig nul, skal maksimum udgangs karakteristika C_o og L_o på strømrælet overgå den effektive værdi af C_i og L_i i det benyttede tilslutningskabel.

Valget af relæ og etableringen af forbindelsen er brugerens ansvar.

Pn	maks. omgivelses °C (1)					Magnetpoleventil monteret alene
	overfladetemperatur					
(watt)	T6	T5	T4			Magnetpoleventil monteret i serie
	85°C	100°C	135°C	12V/24V	12V/24V	
0,25 / 0,5	40	40	50	60	60	
	-	-	-	50	50	

Undersøg, om forsyningsstrømmen er kompatibel med det valgte produkt.

Den lavest tilladte omgivelsestemperatur er: -10°C (0,5W) / 0°C (0,25W)
 Denne temperatur kan blive begrænset af pilotventilens eller spoleventilens arbejdstemperatur.

Beregning af driftsomstændigheder:

12 V eller 24 V med LED:

$$I_i \text{ (mA)} = \frac{[V_s - 1,2 - 0,003 (R_e + R_i)] \times 1000}{(R_e + R_i + R_c)} + 3$$

12 V eller 24 V uden LED:

$$I_i \text{ (mA)} = \frac{[V_s - 1,2 - 0,003 (R_e + R_i)] \times 1000}{(R_e + R_i + R_c)}$$

0,25 W:

24 V med LED :

$$I_i \text{ (mA)} = \frac{[V_s - 1,2 - 0,002 (R_e + R_i)] \times 1000}{(R_e + R_i + R_c)} + 2$$

Denne værdi (I_i) såvel som maksimumgrænsen på relæet/interfacen (hvis denne er ikke-lineær) skal overstige 33 mA (12 V med LED), 25 mA (24 V med LED, 0,5 W), 20 mA (24 V med LED, 0,25 W), 30 mA (12 V uden LED), 22 mA (24 V uden LED).

- I_i (mA) Minimum strømtilførsel til produktet
- R_e (Ω) Maks. relæmodstand
- R_i (Ω) Maks. omgivelsestemperatur
- R_s (Ω) Maks. modstand i forbindelseskabler
- V_s (V) Min. tomgangsstrøm på relæ/interface

R_e (Ω) Maks. spolemodstand:

12 V med eller uden LED = $\frac{288 (T_s + 234 + 10)}{254}$

24 V med eller uden LED = $\frac{563 (T_s + 234 + 10)}{254}$

Afhængigt af omgivelsestemperaturen/den nominelle effekt skal der benyttes et varmebestandigt kabel, der er egnet til den temperatur, der er angivet på spolen. Under installationen skal installatøren følge anvisningerne i direktiv 1999/92/EC og tilhørende standarder.

KOMPATIBLE SIKKERHEDSBARRIERER OG TILSLUTNINGSMODULER

Disse 12 V og 24 V DC magnetventiler er kompatible med de sikkerhedsbarrierer, der er vist i tabellen på side 32/33. De 12 V DC ventiler, der er kompatible med 24 V DC-barrierer, er mærket med indekstet (1).

Når disse sikkerhedsbarrierer og tilslutningsmoduler er bragt i et sikkert område, gør de det muligt at forsyne de i sig selv sikre magnetventiler i eksplosive områder.

Dette udstyr skal bestilles direkte fra de respektive producenter, idet det angives, at de er beregnet til at forsyne de i sig selv sikre magnetventiler 302.1...IA, II 1 G Ex ia IIC T6 og T4 Ga, II 1 D Ex ia IIC T85°C og T135°C D.

Ved tilslutningen skal zoneinddelingen og de regler, der i de enkelte lande gælder for sammenkoblingen af i sig selv sikre produkter, følges.

ASCO Numatics fraskriver sig ethvert ansvar for anvendelsen af produkter fra andre leverandører og de eventuelle ændringer af deres egenskaber.

ELEKTRISK INSTALLATION

Magnetpoleventilen skal installeres under ansvar af det firma der driver den pågældende industri. Systemet som helhed skal overholde standard EN60079-14.

For der foretages noget arbejde, skal den elektriske strøm slås fra, så komponenterne ikke står under spænding. Alle skrueklummerne skal spændes til det rette spændingsmoment, inden installationen begynder.

⚠ Installer kablet, så der ikke er spænding på ventilhuset. Ved tilslutning af kablerne til magnetventiler i serie 302 paces kablerne først i kabelbakkerne eller ledningsrørene, inden de tilsluttes stikkene. Den elektriske forbindelse består af:

- et aftageligt stik med en IP65-beskyttelse (hvis monteret korrekt). Strøm hver enkelt ledning på stikkets terminal med det specificerede moment. Tilspændingsmomentet for kabelmuffen er 2,5 ±0,1 Nm for at sikre en tæthedegrad på IP65.
- Katalognummer på vinkelstik, ISO 15217/DIN 43650, form C: 88130216 (kabelindgang: dia. 4 - 6 mm)
- Katalognummer på vinkelstik, DIN 43650, 9,4 mm, industri standard B: 88130202 (kabelindgang: dia. 4 - 6 mm)

- M12-stik (+24 V DC) IP67-beskyttelse (hvis monteret korrekt).
- Katalognummer på vinkelstik, der skal tilsluttes: **88130221** - Katalognummer på lige stik, der skal tilsluttes: **88130222**. **Der SKAL anvendes det stik, som følger med hvert produkt. Hvis der ikke følger et stik med sammen med magnetventilen, skal brugeren montere et stik, der er IP6X-certificeret, hvad angår temperaturområdet for betjening af magneten. Enhver anden montering/installation vil gøre tilladelsen ugyldig. Der skal være slukket for strømmen, når stikket afmonteres eller monteres.**

Funktion: Udfør en elektrisk test, inden der bliver sat tryk på

kredsløbet. Sæt strøm på spolen flere gange og lyt efter det metalliske 'klik', der angiver, at magnetventilen virker. Personale, der arbejder med komponenterne, skal være bekendt med elektrisk styring, som for eksempel redundanser og feedback (elektronisk styring), hvor det er relevant.

Brug: Spolerne er konstrueret til kontinuerlig drift, og kan derfor blive varme. Hvis der er let adgang til magnetventilerne, skal der monteres en form for beskyttelse, der forhindrer en tilfældig berøring, som kan give forbrændinger. For at undgå overophedning må magnetventilen ikke anvendes i et lukket område uden tilstrækkelig ventilation.

TILSLUTNING

• Forbind alle porte, der kan komme i kontakt med medier. Montering i overensstemmelse med ISO 15218 (CNOMO størrelse 15) monteringsplade. Sørg for at kontrollere, at alle pakninger er placeret på monteringspladen.

Sæt 2 M3 x 20 skruerne i skiftevis, og stram dem jævnt til et tilspændingsmoment på 0,3/0,5 Nm. Stram dem derefter til et tilspændingsmoment på 1 Nm ^{±0,2} (E).

- Rengør de rør, der skal anvendes sammen med komponenten.
- Vær klar over, hvilken retning væsken strømmer i.
- Anvend kun de medfølgende tilslutningsmuligheder.
- Sørg for, at der ikke kommer fremmedlegemer ind i kredsløbet, når forbindelsen sikres mod lækage.
- Den manuelle tilslutningsmulighed, der er angivet med symbolet (H), gør det muligt at styre ventilen uden strømtilførsel.
- Vær opmærksom på rørens tilladte bøjeradius. Begræns ikke gennemløbet gennem portene til væskecirkulation.
- Rør og forbindelsesэлементer må ikke udøve nogen form for kraft, vridning eller stræk på produktet.
- Brug passende værktøj, og placer værktøjet til samlingen så tæt på forbindelsesstedet som muligt.
- Vær opmærksom på det anbefalede tilspændingsmoment, når forsamlingskræfter skrues sammen.
- Forbindelserne skal udføres, så de er holdbare.

ADVARSEL

Hvis det elektriske værdiområde for spolens mærkekapacitet ikke overholdes, vil det resultere i beskadigelse på, eller for tidligt svigt af spolen. Dette vil også gøre dens godkendelse til brug i eksplosive atmosfærer forårsaget af gasser eller støv ugyldig.

ADVARSEL: Det er ikke tilladt uautoriserede personer at skille spolen eller tilslutningsenheden ad eller at afmontere dem. Pas på ikke at skade pasfladerne, når enheden spole/tilslutning adskilles eller samles igen.

Forkert samling vil gøre godkendelsen ugyldig.

SERVICE

For at forhindre potentielle personskader og skader på ejendom, må spolen ikke berøres. Spolen kan blive meget varm under normale arbejdsforhold. Hvis der er let adgang til magnetventilen, skal installatøren sørge for beskyttelse mod, at den berøres ved et uheld.

For at forebygge elektrostatiske ulykker må spolens overflade kun gøres ren med en fugtig klud. Brug ikke rengøringsmidler.

VEDLIGEHOLDELSER

FORSIGTIG: Slå strømmen fra inden et eftersyn. Under installationen skal installatøren følge anvisningerne i direktiv 1999/92/EC og tilhørende standarder.

Der findes ingen ATEX reservedelsæt. Magnetpoleventilen kan ikke skilles ad eller justeres. Afmonter ikke spolen fra magnetventilens pneumatiske del.

ADSKILLELSE/SAMLING AF MAGNETVENTILENS TILSLUTNING:

Denne operation skal udføres af kvalificeret personale. Skru tilslutningen løs og afmonter det. Saml enheden i modsat rækkefølge af adskillelsen (sørg for at overholde tilspændingsmomentet (A)).

Ventilen og enheden bestående af pakningen og tilslutningen skal være helt samlet, for at IP65/IP67-beskyttelsen kan certificeres.

Forkert samling vil gøre godkendelsen ugyldig. I tilfælde af at reservedele udskiftes af brugeren, kan sporbarheden af det endelige produkt ikke garanteres af ASCO Numatics og skal derfor sikres af brugeren.



GERAL

Estas instruções de instalação e manutenção destinam-se às válvulas solenóides da série 302 1...IA...com base de montagem para ISO 15218 [CNOMO de tamanho 15 (E06.36.120N)].

No caso de uma montagem ou instalação de outra válvula, não se esqueça de ler as instruções de instalação e manutenção e as declarações de conformidade relacionadas com a válvula específica quando montar e utilizar a válvula solenóide.

Podem ocorrer avarias, danos ou lesões, se não cumprir estas instruções.

Este componente não é um acessório de segurança, foi concebido apenas para utilização compatível como componente individual ou integrado em dispositivo, maquinaria e instalações.

A montagem, a utilização e a manutenção devem ser efectuadas por pessoal autorizado e qualificado. Os operadores devem estar familiarizados com os requisitos e os regulamentos de segurança relacionados com os componentes, o dispositivo, a maquinaria e as instalações eléctricas (para válvulas, Válvulas solenóides, equipamento de controlo electrónico, equipamento de serviço de ar). Em caso de problemas, contacte a ASCO Numatics ou um dos representantes autorizados.

DESCRIÇÃO

A válvula solenóide de tipo 302 1...IA... destina-se a controlo de fluidos.

Requisitos essenciais de segurança e saúde:
 A válvula solenóide, tipo 302 1...IA... foi concebida em conformidade com as referências das normas IEC e EN: 60079-0, 60079-1 e 60079-26.

Classificação: II 1 G Ex ia IIC T6 para T4 Ga
 II 1 D Ex ia IIC T85°C para T135°C Da
 IP65 ou IP67

Todos os certificados de Conformidade de acordo com estas normas encontram-se disponíveis em www.asc-numatics.eu

Certificado de verificação de tipo CE n.º:

INERIS 03 ATEX 0249 X

Certificado de Conformidade IECEx n.º:

IECEx INE 10.0002X

INSTALAÇÃO

Condições especiais para utilização segura:

Os componentes da ASCO Numatics devem ser utilizados apenas de acordo com as características técnicas especificadas na placa de identificação ou na documentação. As alterações ao equipamento só são autorizadas após consulta ao fabricante ou ao seu representante. Esta Válvula solenóide equipada com operador de solenóide Ex ia foi concebida para ser instalada em atmosferas potencialmente explosivas que contenham gases dos grupos IIA, IIB e IIC, vapores ou névoas do grupo II (EPL Ga) e poeiras do grupo III (EPL Da). A classificação da temperatura de superfície é T6-T85°C - T4-T135°C e depende da potência e da temperatura ambiente indicadas na bobina e montagem do produto.

Depending on the ambient temperature/power rating, a heat resistant cable suitable for the temperature indicated on the coil must be used.

Preparação:

- Verifique as condições de armazenamento preliminares requeridas para o componente. Tem de estar em conformidade com as especificações do produto.
 - Remova os componentes cuidadosamente da embalagem.
 - **Desligue e despressurize o dispositivo**, a maquinaria ou a instalação concebido para receber o componente. Estipule os requisitos de desactivação e despressurização para prevenir qualquer intervenção não autorizada.
 - Certifique-se de que a unidade, os componentes e o ambiente estão limpos e proteja-os contra danos.
 - Para proteger o equipamento, instale um filtro adequado a montante e o mais junto possível ao equipamento.
 - Não modifique o dispositivo.
 - Certifique-se de que a base de montagem da válvula solenóide está limpa para evitar danos nos vedantes.
 - Certifique-se de que o fluido é compatível com os materiais de contacto.
- Fluidos utilizados: ar ou gás neutral, filtrado (50µm).

Temperatura admissível do fluido:

0,25 W: de 0°C a +40°C

0,5 W: de -10°C a +40°C

Esta temperatura pode ser limitada pela temperatura de funcionamento da válvula piloto ou à válvula de carretos. Ponto de condensação: -20°C.

- Tem de instalar a válvula solenóide num ambiente não corrosivo, ar e líquido.
- Grau de protecção de acordo com a EN 60529: IP6X

CARACTERÍSTICAS ELÉCTRICAS

Bobinas CC (=) tipo (série) 302 1...IA...
 Tensão nominal : Umáx. = 28 V
 Consumo máximo de corrente : Imáx. = 70 mA (12 V) ou 40 mA (24 V)
 Potência máxima dissipada : Pmáx. = 1,6 W
 Classe de isolamento F (155°C) 100% E.D.

Pn	parâmetros de segurança				
	U _i (V)	I _i (mA)	P _i (W)	L _i (mH)	C _i (µF)
0,25 / 0,5	28	300	1,6	0	0

A válvula solenóide de tipo 302 1...IA... tem de ser alimentada a partir de uma barreira de tensão certificada para utilização em atmosferas potencialmente explosivas dos grupos IIC, IIB ou IIA e ter um circuito de saída intrinsecamente seguro. A combinação de válvula e barreira tem de ser compatível em termos de segurança intrínseca.

Quando utilizada em zonas 0 do grupo IIC, a válvula solenóide tem de ser protegida das correntes de ar externas para evitar cargas electrostáticas.

A barreira de tensão do equipamento deve ter as seguintes características máximas: U₀ = 28 V, I₀ = 300 mA ou P₀ = 1,6 W. Como os dois parâmetros C_i e L_i do equipamento são iguais a zero, as características máximas de saída C_o e L_o da barreira de tensão têm de exceder os valores efectivos de C e L dos cabos de ligação utilizados. A selecção da barreira e a execução das interligações são da responsabilidade do utilizador.

Pn (watt)	máxima °C (1)			
	temperatura de superfície			
	T6 85°C	T5 100°C	T4 135°C	T4 135°C
	12V/24V	12V/24V	12V/24V	12V/24V
0,25 / 0,5	40	40	50	60
	-	-	-	50

Classe de isolamento F (155°C) 100% E.D. (2)

válvula solenóide individual
 válvulas solenóides em série

Verifique a compatibilidade da potência com o produto seleccionado.

A temperatura mínima permitida é: -10°C (0,5W) / 0°C (0,25W)
 Esta temperatura pode ser limitada pela temperatura de funcionamento da válvula piloto ou a válvula de carretos

Cálculo das condições de funcionamento:

12 V ou 24 V com LED :

$$I_i \text{ (mA)} = \frac{[V_s - 1,2 - 0,003 (R_c + R_i)] \times 1000}{(R_c + R_i + R_e)} + 3$$

12 V ou 24 V sem LED :

$$I_i \text{ (mA)} = \frac{[V_s - 1,2 - 0,003 (R_c + R_i)] \times 1000}{(R_c + R_i + R_e)}$$

0,25 W:

24 V com LED :

$$I_i \text{ (mA)} = \frac{[V_s - 1,2 - 0,002 (R_c + R_i)] \times 1000}{(R_c + R_i + R_e)} + 2$$

Este valor (I_i) e a corrente máxima da barreira/interface (se for não linear) têm de exceder 33 mA (12 V com LED), 25 mA (24 V com LED, 0,5 W), 20 mA (24 V com LED, 0,25 W),



- 30 mA (12 V sem LED), 22 mA (24 V sem LED).
- I_i (mA) Corrente de fornecimento mínima para o produto
- R_i (Ω) Resistência máxima da barreira
- T_i (°C) Temperatura ambiente máxima
- F_i (Ω) Resistência máxima dos cabos de ligação
- V_i (V) Tensão mínima sem carga da barreira/interface
- R_e (Ω) Resistência máxima da bobina.

$$12 \text{ V com ou sem LED} = \frac{288 (T_s + 234 + 10)}{254}$$

$$24 \text{ V com ou sem LED} = \frac{563 (T_s + 234 + 10)}{254}$$

Dependendo da temperatura ambiente e tensão, deve ser utilizado um cabo resistente ao calor adequado à temperatura indicada na bobina.

Cumpra todos os procedimentos recomendados pela Directiva 99/92/CE e normas associadas.

INTERFACES E BARREIRAS COMPATÍVEIS

Estas válvulas solenóides de 12 V e 24 V CC são compatíveis com as barreiras fornecidas na tabela na página 32/33. As válvulas 12 V CC compatíveis com as barreiras de 24 V CC são identificadas pelo índice (1). Estas barreiras e interfaces permitem alimentar válvulas solenóides intrinsecamente seguras localizadas em zonas explosivas.

Este equipamento tem de ser encomendado nos respectivos fabricantes, especificando que se destinam a alimentar válvulas solenóides intrinsecamente seguras 302 1...IA... II 1 G Ex ia IIC T6 para T4 Ga, II 1 D Ex ia IIC T85°C para T135°C D. De acordo com as zonas e a seguinte legislação nacional, aplique o procedimento de certificação relativo à associação de produtos IS.

A ASCO Numatics declina qualquer responsabilidade pela utilização de produtos de outros fornecedores e das possíveis modificações das suas características.

INSTALAÇÃO ELÉCTRICA

A válvula solenóide tem de ser instalada sob responsabilidade da empresa que utiliza as instalações industriais. O sistema tem de estar em conformidade com a norma EN60079-14. **Antes de efectuar qualquer intervenção, desligue a corrente eléctrica para desactivar os componentes.** Tem de apertar os terminais dos parafusos com o binário adequado antes da operação.

⚠ Instale o cabo de forma a que não exista tensão no corpo da válvula. Quando ligar os cabos às válvulas solenóides da série 302, coloque primeiro os cabos nas calhas ou nos canais antes de os ligar aos conectores. A ligação eléctrica é efectuada por:

- Conector destacável com uma protecção IP65 (quando montado adequadamente). Aperte cada fio do terminal do conector com o binário especificado. O binário de aperto do casquilho do cabo é 2,5 ±0,1 Npm para garantir o aperto da IP65. Número de catálogo do conector de ângulo recto, ISO 15217/DIN 43650, forma C : 88130216 (diâmetro de entrada do cabo de 4 a 6 mm) Número de catálogo do conector de ângulo recto DIN 43650, 9,4 mm, norma industrial B: 88130202 (diâmetro de entrada do cabo de 4 a 6 mm)

- Conector M12 (-4-24 V DC), protecção IP67 (quando montado adequadamente) - Número de catálogo do conector de ângulo recto a ligar: 88130221

- Número de catálogo do conector direito a ligar: 88130222
Tem de montar o conector fornecido com cada produto. Se um conector não estiver incluído na válvula solenóide, o utilizador tem de montar um conector com certificação IP6X com respeito ao intervalo da temperatura de funcionamento da solenóide. Qualquer outra montagem/instalação anulará a aprovação. Não monte nem remova o conector enquanto a corrente eléctrica estiver ligada. Operação: Antes de pressurizar o circuito, efectue um teste eléctrico. Aplique corrente à bobina várias vezes e ouça o "clique" metálico que indica que o operador de solenóide

está a funcionar. Os operadores devem estar familiarizados com os controlos eléctricos, como redundâncias e regeneração (controlos electrónicos) onde aplicável. **Utilização:** As bobinas foram concebidas para operação eléctrica contínua e podem ficar quentes. Se a válvula solenóide tiver acesso fácil, forneça os meios de protecção necessários para evitar o contacto acidental que possa provocar queimaduras. Para evitar o sobreaquecimento, não opere a válvula solenóide num espaço confinado sem ventilação suficiente.

LIGAÇÃO

- Ligue todas as portas que possam entrar em contacto com os fluidos. Monte de acordo com a base de montagem ISO 15218 (CNOMO de tamanho 15). Verifique se todos os vedantes estão colocados na base de montagem. Pré-instale os 2 parafusos M3 x 20 alternadamente com um binário de aperto de 0,3/0,5 Nm e, em seguida, aperte-os com um binário de aperto de 1 Nm ^{±0,2} (E).
- Limpe os tubos que pretende ligar ao componente.
- Não se esqueça de observar a direcção do fluxo do fluido.
- Utilize apenas as possibilidades de ligação fornecidas.
- Certifique-se de que não entram matérias estranhas no circuito, em especial, quando efectuar a ligação à prova de fugas.
- A sobreposição manual indicada pelo símbolo (H) permite operar a válvula sem potência eléctrica.
- Não se esqueça de observar o raio de curvatura permitido para a tubagem; não obstrua as portas para a circulação de fluidos.
- Os tubos e os elementos de ligação não devem exercer qualquer força, binário ou esforço no produto.
- Utilize as ferramentas adequadas e coloque as ferramentas de montagem junto ao ponto de ligação.
- Não se esqueça do binário recomendado quando apertar as ligações da tubagem.
- As ligações devem ser a última operação a efectuar.

PRECAUÇÃO

O não cumprimento destes valores resultará em danos ou falhas prematuras da bobina. Isto também invalidará a aprovação para utilização em ambientes explosivos causados por gases ou poeiras.

AVISO: O pessoal não autorizado não pode desmontar ou remover a bobina ou o conector. Tenha cuidado para não danificar as superfícies de junção quando desmontar ou montar a montagem da conector/bobina. **Uma montagem incorrecta anulará a garantia.**

ASSISTÊNCIA

Para evitar a possibilidade de potenciais lesões corporais ou danos no material, não toque na bobina. A bobina pode ficar quente em condições normais de funcionamento. Se a válvula solenóide tiver acesso fácil, o instalador deve utilizar equipamento de protecção para evitar qualquer contacto acidental. Para evitar o perigo de corrente electrostática, limpe a superfície da bobina apenas com um pano húmido. Não utilize solventes.

MANUTENÇÃO

ATENÇÃO: Desligue a corrente eléctrica antes de efectuar qualquer operação de assistência. Cumpra todos os procedimentos recomendados pela Directiva 99/92/CE e normas associadas.

Não existem kits de peças sobresselentes ATEX disponíveis. A válvula solenóide não pode ser desmontada ou ajustada. Não remova a bobina da peça pneumática da válvula solenóide. **DESMONTAGEM/MONTAGEM DO CONECTOR DA VÁLVULA SOLENÓIDE:** Esta operação só deve ser efectuada por pessoal qualificado. Desaparafuse e remova o conector. Volte a montar pela ordem inversa da desmontagem (certifique-se de que cumpre o binário de aperto (A)). Tem de montar a válvula e a montagem composta pelo vedante e o conector para receber a certificação da protecção IP65/IP67.

Uma montagem incorrecta anulará a garantia. No caso de quaisquer substituições de peças pelo utilizador, o funcionamento do produto final não pode ser garantido pela ASCO Numatics e tem de ser garantido pelo utilizador.

ΓΕΝΙΚΑ
Αυτές οι οδηγίες εγκατάστασης και συντήρησης προορίζονται για τις ηλεκτρομαγνητικές βαλβίδες της σειράς 302 1...IA... με βάση τοποθέτηση κατά ISO 15218 (CNOMO μέγεθους 15 (E06, 36, 120N)) Σε περίπτωση συναρμολόγησης ή τοποθέτησης πάνω σε άλλη βαλβίδα, για τη συναρμολόγηση και τη θέση σε λειτουργία πρέπει να λαμβάνονται υπόψη οι οδηγίες εγκατάστασης και συντήρησης, καθώς και η δήλωση συμμόρφωσης της συγκεκριμένης δευτερής βαλβίδας.

Αν δεν ακολουθήσετε αυτές τις οδηγίες, μπορεί να προκληθούν βλάβες, ζημία ή τραυματισμοί.
Αυτό το εξάρτημα δεν είναι εξάρτημα ασφαλείας, αλλά προορίζεται για χρήση υπό περιορισμούς, είτε ως ξεχωριστό εξάρτημα είτε ενσωματωμένο σε σύστημα, μηχανήματα ή εγκαταστάσεις.
Όλες οι εργασίες συναρμολόγησης, λειτουργίας και συντήρησης πρέπει να εκτελούνται από αρμόδιο, εξειδικευμένο προσωπικό.
Το προσωπικό που εργάζεται με αυτά τα εξαρτήματα πρέπει να είναι εξοικειωμένο με τους κανονισμούς ασφαλείας και τις απαιτήσεις των εξαρτημάτων, συστημάτων, μηχανημάτων και ηλεκτρικών εγκαταστάσεων (για βαλβίδες, ηλεκτρομαγνητικές βαλβίδες, ηλεκτρονικό εξοπλισμό ελέγχου, εξοπλισμό πίεσης/αέρα).
Σε περίπτωση προβλημάτων, παρακαλούμε να επικοινωνείτε με την ASCO Numatics ή με τους εξουσιοδοτημένους αντιπροσώπους της ΠΕΡΙΓΡΑΦΗ

Η ηλεκτρομαγνητική βαλβίδα τύπου 302 1...IA... προορίζεται για τον έλεγχο του ρευστού.
Ουσιαστικές απαιτήσεις υγιεινής και ασφαλείας:
Η ηλεκτροβαλβίδα, τύπου 302 1...IA..., είναι σχεδιασμένη σύμφωνα με τα πρότυπα IEC και EN, κωδικοί: 60079-0, 60079-11 και 60079-26.

Κατηγορία: **II G Ex ia IIC T6 έως T4 Ga**
II 1 D Ex ia IIC T85°C έως T135°C Da
IP65 ή IP67

Όλα τα πιστοποιητικά συμμόρφωσης με αυτά τα Πρότυπα υπάρχουν διαθέσιμα στη διεύθυνση www.asconumatics.eu Πιστοποιητικό εξέτασης τύπου EC *dir INERIS 03 ATEX 0249 X* Πιστοποιητικό συμμόρφωσης IECEx *cap. IECEx INE 10.0002X ΕΚΤΑΚΤΑΙΧΗ*

Ειδικό όρο ασφαλείας χρήσης:
Τα εξαρτήματα ASCO Numatics προορίζονται αποκλειστικά για χρήση σύμφωνα με τα τεχνικά χαρακτηριστικά που αναγράφονται στην πινακίδα ή στα συνοδευτικά τους έγγραφα. Αλλαγές στα εξαρτήματα επιτρέπονται μόνον αφού συμβουλευθείτε τον κατασκευαστή ή τον αντιπρόσωπό του. Αυτή η ηλεκτρομαγνητική βαλβίδα, διαθέτει ηλεκτρομαγνητικό μηχανισμό κλάσης Ex ia και είναι σχεδιασμένη για τοποθέτηση σε εν δυνάμει εκρηκτικό περιβάλλον που δημιουργούν αέρα, τον ομάδων IIA, IIB και IIC, αναθυμιάσεων ή νέφους κατηγορίας II (EPL Ga) και σκόνης κατηγορίας III (EPL Da). Η κατηγορία επιφανειακής θερμοκρασίας είναι T6-T85°C έως T4-T135°C και εξαρτάται από την ονομαστική ισχύ και τη θερμοκρασία περιβάλλοντος που αναγράφεται στο πηλίο και συναρμολόγηση του προϊόντος.
Ανάλογα με τη θερμοκρασία περιβάλλοντος/ονομαστική ισχύ, πρέπει να χρησιμοποιηθεί θερμότατο καλώδιο, κατάλληλο για τη θερμοκρασία που επισημαίνεται στην πινακίδα.

Προσομοίαση:
• Ελέγξτε τις προκαταρκτικές συνθήκες αποθήκευσης που απαιτούνται για το εξάρτημα. Πρέπει να είναι σύμφωνα με τις προδιαγραφές του προϊόντος.
• Αφαιρέστε προσεκτικά τα εξαρτήματα από τις συσκευασίες τους.
• **Διακρίστε την παροχή ρευστός και κάντε αποσυμπίεση του συστήματος,** μηχανήματος ή εγκατάστασης που έχει σχεδιαστεί να δεχθεί το εξάρτημα. Εξασφαλίστε τη διακοπή της παροχής ρευστός και την αποσυμπίεση, σύμφωνα με τις απαιτήσεις, ώστε να υπάρχει προστασία σε περίπτωση αναρμόδιας παρέμβασης.
• Βεβαιωθείτε ότι αυτή η μονάδα, τα εξαρτήματά της, και το περιβάλλον τους είναι καθαρά, και προστατεύστε τα από ζημιές.
• Για την προστασία του εξοπλισμού, τοποθετήστε κατάλληλο φίλτρο ανάσφιξης της ροής και όσο το δυνατόν πιο κοντά στο εξάρτημα.
• Μην τρυπώσετε τη συσκευή.
• Βεβαιωθείτε ότι η βάση τοποθέτησης της ηλεκτρομαγνητικής βαλβίδας είναι καθαρή και φροντίστε να μην πάθουν ζημία οι τσιμούχες στεγανοποίησης.
• Βεβαιωθείτε ότι το υγρό είναι συμβατό με τα υλικά, με τα οποία έρχεται σε επαφή.
Ρευστά που χρησιμοποιούνται: αέρας ή ουδέτερο αέριο, φιλτραρισμένο (50μm).
Επιτρεπόμενη θερμοκρασία ρευστού:
0,25 W: 0°C Υπό +40°C
0,5 W: -10°C Υπό +40°C
Αυτή η θερμοκρασία μπορεί να περιορίζεται από τη διαβάθμιση θερ-

μοκρασίας/λειτουργίας της πιλοτικής βαλβίδας ή της εμβολοβαλβίδας. Ορίσθαι αήθιδι: -20°C.
• Η ηλεκτρομαγνητική βαλβίδα πρέπει να τοποθετείται σε περιβάλλον με διαβαθμικό αερίου ή υγρού.
• Βαθμός προστασίας σύμφωνα με το πρότυπο EN 60529: IP6X
ΗΛΕΚΤΡΟΛΟΓΙΚΑ ΧΑΡΑΚΤΗΡΙΣΤΙΚΑ
Πηγία συνεχούς ρεύματος DC (-) τύπου (σειρά) 302 1...IA...
Ονομαστική τάση τροφοδοσίας: U_{max} = 28 V
Μέγιστη κατανάλωση ρεύματος: I_{max} = 70 mA (12 V) ή 40 mA (24 V)
Μέγιστη απορροφώσιμη ισχύς: P_{max} = 1,6 W
Κλάση μόνωσης F (155°C) 100% E.D.

Pn	Παράμετροι ασφαλείας				
	U _i = (DC)	I _i	P _i	L _i	C _i
(W)	(V)	(mA)	(W)	(μF)	(mH)
0,25 / 0,5	28	300	1,6	0	0

Η ηλεκτρομαγνητική βαλβίδα 302 1...IA... πρέπει να τροφοδοτείται με ρεύμα από διάταξη ασφαλείας πιστοποιημένη για χρήση σε δυναμικά εκρηκτικό περιβάλλον της ομάδας IIC, IIB ή IIA με κύκλωμα εξόδου διαβαθμισμένο ως κύκλωμα ασφαλείας. Ο συνδυασμός βαλβίδας και διατάξης ασφαλείας πρέπει να είναι συμβατός από άποψη διαβάθμισης ασφαλείας.
Όταν χρησιμοποιείται στη ζώνη 0 της ομάδας IIC, η ηλεκτρομαγνητική βαλβίδα πρέπει να προστατεύεται από εξωτερικά ρεύματα αέρα για την αποτροπή ηλεκτροστατικών εκκενώσεων.

Η ηλεκτρική διάταξη ασφαλείας του εξαρτήματος πρέπει να έχει τα εξής μέγιστα χαρακτηριστικά: U₀ = 28 V, I₀ = 300 mA ή P₀ = 1,6 W
Καθώς και οι δύο παράμετροι Ci και Li του εξαρτήματος ισούνται και οι δύο με μηδέν, τα μέγιστα χαρακτηριστικά εξόδου Co και Lo της ηλεκτρικής διάταξης ασφαλείας υπερβαίνουν τις πραγματικές τιμές C και L του συνδέτη καλωδίου που χρησιμοποιείται.
Η επιλογή ηλεκτρικής διάταξης ασφαλείας και όλες οι απαραίτητες συνδέσεις αποτελούν ευθύνη του χρήστη.

Pn (watt)	Surface temperature °C (1)			Επιφανειακή θερμοκρασία		
	T6	T5	T4	85°C	100°C	135°C
	12V/24V	12V/24V	12V/24V	12V/24V	12V/24V	12V/24V
0,25 / 0,5	40	50	60	60	60	60
	-	-	-	50	50	

Κλάση μόνωσης F (155°C) 100% E.D. (2)

Ελέγξτε τη συμβατότητα της ισχύος με το επιλεγμένο προϊόν.
Η ελάχιστη επιτρεπόμενη θερμοκρασία περιβάλλοντος είναι: -10°C (0,5 W) / 0°C (0,25 W)
Αυτή η θερμοκρασία μπορεί να περιορίζεται από τη διαβάθμιση θερμοκρασίας λειτουργίας της πιλοτικής βαλβίδας ή της εμβολοβαλβίδας.

Υπολογισμός των συνθηκών λειτουργίας:
12 V ή 24 V με ΛΥΧΝΙΑ LED :
$$I_i \text{ (mA)} = \frac{[V_s - 1,2 - 0,003 (R_e + R_i)] \times 1000}{(R_e + R_i + R_i)} + 3$$

12 V ή 24 V χωρίς ΛΥΧΝΙΑ LED :
$$I_i \text{ (mA)} = \frac{[V_s - 1,2 - 0,003 (R_e + R_i)] \times 1000}{(R_e + R_i + R_i)}$$

0,25 W:
24 V με ΛΥΧΝΙΑ LED :
$$I_i \text{ (mA)} = \frac{[V_s - 1,2 - 0,002 (R_e + R_i)] \times 1000}{(R_e + R_i + R_i)} + 2$$

Η τιμή αυτή (I_i) καθώς και το μέγιστο ρεύμα της διάταξης ασφαλείας/διασύνδεσης αν είναι μη γραμμική) πρέπει να υπερβαίνει τα 33 mA (12 V με ΛΥΧΝΙΑ LED), 25 mA (24 V με ΛΥΧΝΙΑ LED, 0,5 W), 20 mA (24 V με ΛΥΧΝΙΑ LED, 0,25 W), 30 mA (12 V χωρίς ΛΥΧΝΙΑ LED), 22 mA (24 V χωρίς ΛΥΧΝΙΑ LED).

I_i (mA) Ελάχιστο ρεύμα τροφοδοσίας του προϊόντος
R_e (Ω) Μέγιστη αντίσταση διάταξης ασφαλείας
T_e (°C) Μέγιστη θερμοκρασία περιβάλλοντος
R_i (Ω) Μέγιστη αντίσταση συνδεόμενων καλωδίων
V_s (V) Ελάχιστη τάση χωρίς φορτίο διάταξης ασφαλείας/διασύνδεσης
R_e (Ω) Μέγιστη αντίσταση πηνίου :

12 V με ή χωρίς ΛΥΧΝΙΑ LED =
$$\frac{288 (T_e + 234 + 10)}{254}$$

24 V με ή χωρίς ΛΥΧΝΙΑ LED =
$$\frac{563 (T_e + 234 + 10)}{254}$$

Ανάλογα με τη θερμοκρασία περιβάλλοντος/ονομαστική ισχύ, πρέπει να χρησιμοποιηθεί θερμότατο καλώδιο, κατάλληλο για τη θερμοκρασία που επισημαίνεται στην πινακίδα.
Ο τεχνικός εγκατάστασης είναι υποχρεωμένος να ρυμφορμώσει με την Ευρωπαϊκή Οδηγία 1999/92/ΕΚ και τα σχετικά πρότυπα.
ΣΥΜΒΑΤΕΣ ΜΠΑΤΑΡΙΕΣ ΚΑΙ ΔΙΕΠΙΚΟΙΝΩΣΕΙΣ

Αυτές οι ηλεκτρομαγνητικές βαλβίδες 12 V και 24 V DC είναι συμβατές με μπαταρίες που αναφέρονται στον πίνακα της σελίδα 32/33. Οι βαλβίδες 12 V DC που είναι συμβατές με μπαταρίες 24 V DC συνηθίζονται με την ένδειξη (1).
Οι μπαταρίες οι οι διεπικοινωνίες που αποθηκεύονται σε ασφαλή σημεία, επιτρέπεται την τροφοδοσία της γενευσίας ασφαλούς ηλεκτρομαγνητικής βαλβίδας που βρίσκεται σε εκρηκτικό περιβάλλοντα.
Ο συγκεκριμένος εξοπλισμός πρέπει να προμηθευθεί από τους αντίστοιχους κατασκευαστές του με την επισημάνση ότι προορίζεται για τροφοδοσία γενευσών ασφαλών ηλεκτρομαγνητικών βαλβίδων 302 1...IA... II 1 G Ex ia IIC T6 έως T4 Ga, II 1 D Ex ia IIC T85°C έως T135°C Da.
Εφαρμόστε τις διαδικασίες πιστοποίησης που αφορούν την ένωση προϊόντων IS, ανάλογα με την ζώνη και ακολουθώντας την εθνική νομοθεσία. Η ASCO Numatics δεν αναλαμβάνει καμία ευθύνη που προκύπτει από τη χρήση προϊόντων άλλων προμηθευτών και τις πιθανές προποθήσεις στα χαρακτηριστικά τους.
ΗΛΕΚΤΡΟΛΟΓΙΚΗ ΕΓΚΑΤΑΣΤΑΣΗ
Η εγκατάσταση της ηλεκτρομαγνητικής βαλβίδας πρέπει να γίνεται υπό την ευθύνη του φορέα που λειτουργεί τη βιομηχανική εγκατάσταση. Το σύστημα, στο σύνολό του, πρέπει να συμμορφώνεται με το πρότυπο EN60079-14.
Πριν από οποιαδήποτε παρέμβαση, κλείστε την παροχή ρευστός για απενεργοποιήσετε τα εξαρτήματα.
Όλοι οι βιολογικοί ακροδέκτες πρέπει να σφίγγονται με την κατάλληλη ροπή σύσφιξης πριν τη λειτουργία.

⚠ Εγκαταστήστε το καλώδιο έτσι ώστε να μην ασκείται πίεση στο σώμα της βαλβίδας.
Όταν συνδέετε τα καλώδια στις ηλεκτρομαγνητικές βαλβίδες της σειράς 302, τοποθετήστε πρώτα τα καλώδια στους δίσκους καλωδίων ή στο κανάλι πριν τα συνδέσετε.
Η ηλεκτρική σύνδεση γίνεται με τη βοήθεια:

- Αποστειμένου συνδέσμου με προστασία IP65 (εφόσον τοποθετηθεί σωστά). Σφίξτε κάθε καλώδιο στον ακροδέκτη του συνδέσμου με την προβλεπόμενη ροπή σύσφιξης. Η ροπή σύσφιξης για το κολάρο του καλωδίου είναι 2,5-2,0, 1 Nm για να εξασφαλιστεί στεγανότητα κατά IP65. Αριθμός καταλόγου του συνδέτηρα με κάθετη γωνία, ISO 15217/DIN 43650, έντυπο Γ : 88130216 (διάμετρος εισόδου καλωδίου 4 έως 6 χλστ) Αριθμός καταλόγου του συνδέτηρα με κάθετη γωνία DIN 43650, 9,4 mm, βιομηχανικό πρότυπο Β: 88130202 (διάμετρος εισόδου καλωδίου 4 έως 6 χλστ)
- Συνδέσμου M12 (+24 V DC) με βαθμό προστασίας IP67 (κατά την κατάλληλη συναρμολόγηση).
- Αριθμός καταλόγου του συνδέτηρα με κάθετη γωνία για σύνδεση με: 88130221
- Αριθμός καταλόγου του ευθύ συνδέτηρα για σύνδεση με: 88130222

ΠΡΕΠΕΙ να τοποθετηθεί ο συνδέσμος που διατίθεται με κάθε προϊόν. Εάν δεν συμπεριλαμβάνεται ο συνδέσμος στην ηλεκτρομαγνητική βαλβίδα, ο χρήστης πρέπει να τοποθετήσει έναν συνδέσμο με πιστοποίηση IP6X όσον αφορά το εύρος θερμοκρασιών λειτουργίας του ηλ. μηχανισμού. Οποιοδήποτε άλλο σύστημα τοποθέτησης καθιστά άκυρη την έγκριση. Μη συνδέετε και αποσυνδέετε τον σύνδεσμο με το ρεύμα ΑΝΟΙΚΤΟ.
Λειτουργία: Πριν συμπίεξετε το κύκλωμα, κάντε έναν ηλεκτρολογικό έλεγχο. Δώστε ρεύμα στο πηνίο αρκετές φορές και ακούστε το μεταλλικό "κλικ" που επισημαίνει ότι ο ηλεκτρομαγνητικός μηχανισμός λειτουργεί. Το προσωπικό που εργάζεται με αυτά τα εξαρτήματα πρέπει να

είναι εξοικειωμένο με ηλεκτρολογικούς ελέγχους όπως ο έλεγχος πλεονασμού και ο έλεγχος ανάδρασης (ηλεκτρονικοί έλεγχοι), όπου αυτοί εφαρμόζονται.
Χρήση: Τα πηνία έχουν σχεδιαστεί για συνεχή ενεργή λειτουργία, και για το λόγο αυτό μπορεί να ανεβάζουν θερμοκρασία. Αν η ηλεκτρομαγνητική βαλβίδα είναι εύκολα προσβάσιμη, φροντίστε να πάρετε μέτρα προστασίας ώστε να αποτραπεί τυχία επαφή που θα μπορούσε να προκαλέσει εγκαύματα.
Για να αποφυγείτε υπερθέρμανση, μη λειτουργείτε την ηλεκτρομαγνητική βαλβίδα σε περιορισμένο χώρο χωρίς κατάλληλο εξαερισμό.

- ΣΥΝΔΕΣΗ**
- Συνδέστε όλα τα στόμια που μπορεί να έλθουν σε επαφή με τα υγρά. Τοποθέτηση σύμφωνα με τη βάση τοποθέτησης ISO 15218 (CNOMO μέγεθος 15). Πρέπει να ελεγχθούν οι τσιμούχες είναι τοποθετημένες στη βάση τοποθέτησης.
Προεγκαταστήστε τις 20 βίδες 2 M3 διαδοχικά και ομοιόμορφα σε ροπή σύσφιξης έως 0,3/0,5 Nm, και στη συνέχεια σφίξτε τις σε ροπή σύσφιξης 1 Nm ^{±0,2} (E).
 - Καθαρίστε τους σωλήνες που προορίζονται για σύνδεση με το εξάρτημα.
• Πρέπει να λάβετε υπόψη την κατεύθυνση ροής του ρευστού.
• Χρησιμοποιήστε μόνο τις παρεχόμενες δυνατότητες σύνδεσης.
• Φροντίστε να μην εισχωρήσουν στο κύκλωμα ξένα σώματα, ειδικά όταν κάνετε στεγανοποιημένη σύνδεση.
• Η χειροκίνητη παράκαμψη που επισημαίνεται με το σύμβολο (H) σας επιτρέπει να λειτουργήσετε τη βαλβίδα σε περιπτώσεις διακοπής ρευστός.
• Φροντίστε να τηρήσετε τις επιτρεπόμενες ακτίνες καμπυλότητας των σωληνώσεων, για να μην περιοριστεί η κυκλοφορία του υγρού από τα στόμια.
• Οι σωλήνες και τα εξαρτήματα σύνδεσης δεν πρέπει να ασκούν καμία δύναμη, ροπή ή τάση στο προϊόν.
• Χρησιμοποιήστε κατάλληλα εργαλεία και τοποθετήστε τα εργαλεία συναρμολόγησης όσο το δυνατόν πιο κοντά στο σημείο σύνδεσης.
• Πρέπει να λάβετε υπόψη τη συστατισμένη ροπή σύσφιξης όταν σφίγγετε τις συνδέσεις των σωληνώσεων.
• Οι συνδέσεις πρέπει να είναι ανθεκτικές.

ΠΡΟΣΟΧΗ
Αν το φορτίο υπερβεί τα ονομαστικά όρια λειτουργίας του πηνίου, θα προκληθεί βλάβη ή πρόωμη αποτυχία του πηνίου. Αυτό καθιστά επίσης άκυρη την έγκριση του πηνίου για χρήση σε εκρηκτικό περιβάλλον αερίων ή σκόνης.
ΠΡΟΕΙΔΟΠΟΙΗΣΗ: Δεν επιτρέπεται αποσυμπίεση ή αφαίρεση του συστήματος του πηνίου ή του συνδέσμου από αναρμόδιο προσωπικό.
Φροντίστε να μην καταστρέψετε τις επιφάνειες συναρμογής, όταν αποσυμμορφώνετε ή επαναστοθετείτε το σύστημα του πηνίου/συνδέσμου.

Σε περίπτωση λανθασμένης συναρμολόγησης αίρεται η έγκριση της ASCO Numatics.
ΛΕΙΤΟΥΡΓΙΑ
Για να αποτραπεί πιθανός κίνδυνος σωματικών βλαβών ή υλικών ζημιών, μην αγγίξετε το πηνίο. Σε κανονικές συνθήκες λειτουργίας, το πηνίο μπορεί να καίει πολύ. Αν η ηλεκτρομαγνητική βαλβίδα έχει εύκολη πρόσβαση, ο εγκαταστάτης πρέπει να εξασφαλίσει προστασία που να μην επιτρέπει τυχία επαφή.
Για την προστασία από στατικό ηλεκτρισμό, καθαρίζετε την επιφάνεια του πηνίου μόνο με υγρό πανί. Μη χρησιμοποιείτε διαλύτες.
ΣΥΝΤΗΡΗΣΗ

ΠΡΟΣΟΧΗ: Κλείστε την παροχή ρευστός πριν εκτελέσετε εργασίες συντήρησης.
Ο τεχνικός εγκατάστασης είναι υποχρεωμένος να ρυμφορμώσει με την Ευρωπαϊκή Οδηγία 1999/92/ΕΚ και τα σχετικά πρότυπα. Δεν υπάρχουν διαθέσιμα ανταλλακτικά ATEX.
Η ηλεκτρομαγνητική βαλβίδα δεν μπορεί να αποσυμμορφωθεί και δεν ρυμψίζεται.
Μην αφαιρέτε το πηνίο από τον πνευματικό μηχανισμό της ηλεκτρομαγνητικής βαλβίδας.
ΑΠΟΣΥΝΑΡΜΟΛΟΓΗΣΗ/ΕΠΙΦΑΝΕΙΑΣΥΝΑΡΜΟΛΟΓΗΣΗ ΣΥΝΔΕΣΜΟΥ ΗΛΕΚΤΡΟΜΑΓΝΗΤΙΚΗΣ ΒΑΛΒΙΔΑΣ.
Η εργασία αυτή πρέπει να γίνει από κατάλληλο ειδικευμένο προσωπικό. Εξεβιάστε και αφαιρέστε τον σύνδεσμο.
Ξανασυναρμολογήστε με την αντίθετη σειρά από αυτή της αποσυμμορφώσεως (φροντίστε να τηρήσετε τη ροπή σύσφιξης (A)). Η βαλβίδα και το σύστημα που περιλαμβάνει την τσιμούχα και τον σύνδεσμο πρέπει να ξανασυναρμολογηθεί πλήρως για να πιστοποιείται η προστασία IP65/IP67.
Σε περίπτωση λανθασμένης συναρμολόγησης αίρεται η έγκριση της ASCO Numatics.
Σε περίπτωση αντικατάστασης εξαρτημάτων από το χρήστη, η ASCO Numatics δεν μπορεί να εγγυηθεί την ανανεωσιμότητα του τελικού προϊόντος και πρέπει αυτή να εξασφαλιστεί από το χρήστη.

VŠEOBECNĚ
 Tyto Pokyny k montáži a údržbě jsou pro solenoidní ventily řady 302 1...IA, s montážní podložkou podle ISO 15218 (CNOMO velikost 15 (E06.36.120N)).
 V případě sestavy nebo montáže na jiný ventil je třeba při sestavení a uvedení elektromagnetického ventilu do provozu postupovat podle Pokynů k montáži a údržbě a podle Prohlášení o shodě pro daný ventil.
 Pokud tyto pokyny nedodržíte, může dojít k nesprávné funkci, poškození nebo poranění.
 Tato komponenta není bezpečnostním příslušenstvím. Je určena pouze pro vyhovující použití jako samostatná komponenta nebo začleněná do přístroje, stroje a instalaci.
 Montáž, provoz, použití a údržbu musí provádět kvalifikované a pověřené osoby.
 Osoby, které budou s komponentami pracovat, musí být obeznámeny s bezpečnostními předpisy a požadavky týkajícími se komponent, přístroje, stroje a elektroinstalace (u ventilů, solenoidních ventilů, elektronického kontrolního zařízení a vzduchotechnického zařízení). V případě pořízí se obraťte na společnost ASCO Numatics nebo na některého z našich autorizovaných zástupců.

POPIŠ
 Solenoidní ventil typu 302 1...IA, je určen pro řízení kapalin. **Základní požadavky na ochranu zdraví a bezpečnost:** Solenoidní ventil typu 302 1...IA, je zkonstruován v souladu s normami IEC a EN: 60079-0, 60079-11 a 60079-26.

Klasifikace: II 1 G Ex ia IIC T6 až T4 Ga
 II 1 D Ex ia IIC T85°C až T135°C Da
 IP65 nebo IP67

Všechna prohlášení o shodě v souladu s těmito normami jsou k dispozici na adrese www.asconumatics.eu.

Číslo certifikátu typové zkoušky EC: **INERIS 03 ATEX 0219 X**
 Číslo prohlášení o shodě IECEx: **IECEx INE 10.0002X**

INSTALACE
Speciální podmínky pro bezpečné používání:
 Komponenty společnosti ASCO Numatics je možné používat v rámci technických charakteristik uvedených na typovém štítku nebo v dokumentaci. Změny vybavení jsou povoleny pouze po konzultaci s výrobcem nebo jeho zástupcem.
 Tento solenoidový ventil, který je opatřen solenoidovým operátorem v provedení Ex ia, je konstruován pro instalaci v potenciálně výbušných prostředích třídy s plyny třídy IIA, IIB a IIC s výpary nebo mlhou třídy II (EPL Ga) a prachem skupiny III (EPL Da).
 Klasifikace povrchové teploty je T6-T85 °C až T4- T135 °C a závisí na jmenovitém výkonu, okolní teplotě a montáži výrobku.
 V závislosti na okolní teplotě/jmenovitém výkonu se musí použít záruvzdorný kabel vhodný pro teplotu, která je uvedena na cíve.
Příprava:
 • Zkontrolujte předběžné skladovací podmínky vyžadované pro komponentu. Musí odpovídat specifikacím výrobku.
 • Pečlivě vyjměte komponentu z obalu.
 • **Vypněte a odtákněte přístroj**, stroj nebo instalaci, do které má být komponenta nainstalována. Zajistěte, aby při vypnutí a odtáknutí nedošlo k neoprávněným zásahům.
 • Zkontrolujte, zda je jednotka, její komponenty a jejich okolí čisté a chraňte je před opožděním.
 • V rámci ochrany zařízení instalujte adekvátní sítko nebo filtr nad jednotkou, co nejlépe komponentě.
 • Neupravujte zařízení.
 • Zkontrolujte, zda je protilehlý povrch solenoidového ventilu čistý, aby nedošlo k poškození těsnění.
 • Zkontrolujte, zda je tekutina kompatibilní s materiálem, se kterým přichází do styku.
 Použitě tekutiny: vzduch nebo neutrální plyn, filtrovaný (50 µm).
 Přípustná teplota tekutiny:
0,25 W: 0 °C až +40 °C
0,5 W: -10 °C až +40 °C

Tato teplota může být omezena rozsahem provozních teplot pilotního ventilu nebo cívkového ventilu. Rosný bod >20 °C.

- Solenoidový ventil musí být instalován v nekorozivním prostředí se vzduchem nebo tekutinou.
- Stupeň krytí podle normy EN 60529: IP6X

ELEKTRICKÉ CHARAKTERISTIKY

Cívky DC (= typ (řada) 302 1...IA.
 Jmenovité napájecí napětí : Umax. = 28 V
 Max. odběr proudu : Imax. = 70 mA (12 V) nebo 40 mA (24 V)
 Max. ztrátový výkon : Pmax. = 1,6 W
 Třída izolace F (155 °C) 100 % E.D.

Pn	bezpečnostní parametry				
	U = (DC)	I _l	P _l	L _l	C _l
(W)	(V)	(mA)	(W)	(mH)	(µF)
0,25 / 0,5	28	300	1,6	0	0

Solenoidní ventily typu 302 1...IA, musí být napájeny ze zdroje s napětovou bariérou certifikovanou k použití v potenciálně výbušných prostředích tříd IIC, IIB nebo IIA s výstupním obvodem, který je jiskrově zabezpečen. Kombinace ventilu a bariéry musí být kompatibilní, pokud jde o jiskrové zabezpečení. Pro prevenci vybíjení elektrostatického náboje použijte musí být solenoidový ventil typu 302 1...IA chráněn před vnějším prouděním vzduchu, když je používán v zóně 0 skupiny IIC. Napětová bariéra pro vybavení musí mít následující maximální charakteristiky: U_o = 28 V, I_o = 300 mA nebo P_o = 1,6 W. Jelikož oba parametry zařízení, Ci a Li, se rovnají nule, maximální výstupní charakteristiky Co a Lo napětové bariéry musí být vyšší než skutečné hodnoty C a L použitého propojovacího kabelu.
 Za výběr bariéry a provedení propojení zodpovídá uživatel.

Pn	okolní teplota °C (1)			
	povrchová teplota			
	T6	T5	T4	
(wattů)	85 °C	100 °C	135 °C	
	12V/24V	12V/24V	12V/24V	
	třída izolace F (155 °C) 100 % E.D. (2)			
0,25 / 0,5	40	40	50	60
	-	-	-	50

solenoidový ventil namontovaný samostatně
 solenoidový ventil namontovaný v řadě

Zkontrolujte kompatibilitu výkonu se zvoleným produktem.
Minimální okolní teplota: -10 °C (0,5 W) / 0 °C (0,25 W)
 Tato teplota může být omezena rozsahem provozních teplot pilotního ventilu nebo cívkového ventilu.

Výpočet provozních podmínek:
0,5 W:
12 V nebo 24 V s LED :

$$I_l \text{ (mA)} = \frac{[V_s - 1,2 - 0,003 (R_s + R_l)] \times 1000}{(R_s + R_l + R_c)} + 3$$

12 V nebo 24 V bez LED :

$$I_l \text{ (mA)} = \frac{[V_s - 1,2 - 0,003 (R_s + R_l)] \times 1000}{(R_s + R_l + R_c)}$$

0,25 W:
24 V s LED :

$$I_l \text{ (mA)} = \frac{[V_s - 1,2 - 0,002 (R_s + R_l)] \times 1000}{(R_s + R_l + R_c)} + 2$$

Tato hodnota (I_l) a také maximální proud bariéry/rozhraní (pokud není lineární) musí přesahovat 33 mA (12 V s LED), 25 mA (24 V s LED, 0,5 W), 20 mA (24 V s LED, 0,25 W), 30 mA (12 V bez LED), 22 mA (24 V bez LED).

I_l (mA) Minimální napájecí proud produktu
 R_s (Ω) Maximální odpor bariéry
 R_l (Ω) Maximální okolní teplota
 R_c (Ω) Maximální odpor propojovacích kabelů
 V_s (V) Minimální napětí bez zátěže bariéry/rozhraní
 R_e (Ω) Maximální odpor cívky.

12 V s LED = $\frac{288 (T_a + 234 + 10)}{254}$

24 V s LED = $\frac{563 (T_a + 234 + 10)}{254}$

V závislosti na okolní teplotě/jmenovitém výkonu se musí použít záruvzdorný kabel vhodný pro teplotu, která je uvedena na cíve.
 Montér musí postupovat ve shodě s Evropskou směrnicí 1999/92/EC a příruženými normami.

KOMPATIBILNÍ BARIÉRY A ROZHRANÍ

Tyto solenoidní ventily na 12 V a 24 V DC jsou kompatibilní s bariérami uvedenými v tabulce na stranách 32 a 33. Ventily 12 V DC, které jsou kompatibilní s bariérami 24 V DC, jsou označeny indexem (1).
 Tyto bariéry a rozhraní umožňují napájení jiskrově zabezpečených solenoidních ventilů umístěných ve výbušných prostředích.
 Toto vybavení musíte objednat od příslušných výrobců, přičemž musíte uvést, že je určeno pro napájení jiskrově zabezpečených solenoidních ventilů 302 1...IA, II 1 G Ex ia IIC T6 až T4 Ga, II 1 D Ex ia IIC T85°C až T135°C Da.
 Při zapojování produktu IS uplatněte certifikační postup v závislosti na místních zónách a legislativě příslušné země. Společnost ASCO Numatics se zříká veškeré odpovědnosti za použití výrobků jiných dodavatelů a možné úpravy jejich charakteristik.

ELEKTRICKÁ INSTALACE

Solenoidní ventil musí být instalován na odpovědnost společnosti, která provozuje průmyslové pracoviště. Systém jako celek musí být ve shodě s normou EN60079-14.
Před zahájením práce vypněte elektrický proud napájecí komponenty.
 Všechny šroubované svorky musí být před uvedením do provozu utažené příslušným momentem.

- Nainstalujte kabel tak, aby v těle ventilu nevytvářel prnutí.. Při připojování kabelů k solenoidovým ventilům řady 302 všech kabely nejprve umístěte do kabelových držáků nebo vodiček a až poté je připojte ke konektorům.
 Způsob elektrického zapojení
 • Snímatelný konektor s ochranou IP65 (při správné montáži). Dotáhněte všechny vodiče ve svorkách konektoru stanoveným momentem. Utahovací moment kabelové průchodky je 2,5 ±0,1 N.m, aby bylo zajištěno krytí IP65. Katalogové číslo úhlového konektoru, ISO 15217/DIN 43650, tvar C: **88130216** (průměr kabelové průchodky 4 až 6 mm)
 Katalogové číslo úhlového konektoru DIN 43650, 9,4 mm, průmyslový standard B: **88130202** (průměr kabelové průchodky 4 až 6 mm)
 • Konektor M12 (+24 V DC) s krytím IP67 (při správné montáži). – Katalogové číslo úhlového konektoru, který je třeba zapojit: **88130221**
 – Katalogové číslo přímého konektoru, který je třeba zapojit: **88130222**

Konektor dodaný s výrobkem je NUTNO nainstalovat. Pokud není konektor dodán se solenoidovým ventilem, musí uživatel připojit konektor s krytím IP6X podle rozsahu provozních teplot solenoidu. Každý jiný způsob sestavení nebo montáže by zrušil platnost schválení výrobku. Při montáži nebo odstraňování konektoru je třeba VYPNOUT napájení.

Provoz: Před natlakováním systému proveďte elektrickou zkoušku. Několikrát zapněte napájení cívky a poslouchejte, zda uslyšíte kovové „cvaknutí“, které naznačuje, že solenoidový pohon funguje.
 Osoby, které s komponentami pracují, musí být v případě po-

řeby obeznámeny s elektrickými ovládacími prvky, jako jsou redundance a zpětné vazby (elektronické ovládací prvky). **Po- užití:** Cívky jsou navrženy pro nepřetržitý provoz, a proto se mohou zahřívát.
 Pokud je solenoidový ventil snadno přístupný, zajištěte prostředky ochrany tak, aby nedošlo k náhodnému kontaktu, který může způsobit popálení. Aby nedošlo k přehřátí, nepoužívejte solenoidový ventil v těsných prostorech bez dostatečného větrání.

PŘIPOJENÍ

- Zapojte všechny porty, které by mohly přijít do styku s tekutinami. Montáž provedte v souladu se vzorem na montážní desce ISO 15218 (CNOMO velikost 15). Zkontrolujte, zda jsou na montážní desce všechna těsnění.
 Předinstalujte 2 šrouby M3 x 20 s utažovacím momentem 0,3/0,5 Nm, utahujte je střídavě a rovnoměrně, a poté je dotáhněte utažovacím momentem 1 Nm ^{±0,2} (E).
 • Vyčistěte vedení, které budete připojovat ke komponentě.
 • Sledujte směr toku tekutiny.
 • Používejte pouze dodávané možnosti připojení.
 • Zajistěte, aby se do obvodu nedostalo žádné cizí těleso, zejména při těsném připojení.
 • Ruční ovládní, které je označeno symbolem (H), umožňuje používat ventil i bez elektrického napájení.
 • Dodržujte přípustné ohnutí potrubí. Neomezujte průtok tekutin porty.
 • Potrubí a připojovací prvky nesmí na produkt vyvíjet žádnou sílu, točivý moment ani namáhání.
 • Používejte vhodné nástroje a umístějte montážní nástroje co nejlépe k místu spojení.
 • Dodržujte při dotahování připojení potrubí doporučený utažovací moment.
 • Připojení musí být trvanlivé.

UPOZORNĚNÍ

Nedodržení rozsahu elektrické zařizitelnosti cívky vede k poškození nebo předčasnému selhání cívky. Tím bude také porušeno její schválení pro použití ve výbušném prostředí s plyny nebo prachem.

VÝSTRAHA: Nepovoláné osoby nemají povolenou cívku nebo sestavu konektoru demontovat ani odstraňovat. Dbejte na to, abyste při demontáži nebo opětovné montáži sestavy konektoru/cívky nepoškodili kontaktní plochy.
Chybným sestavením se ruší platnost schválení výrobku.

PROVOZ

V zájmu prevence úrazu osob a poškození majetku se nedotýkejte cívky. I za normálních provozních podmínek se cívka může silně zahřát. Pokud je solenoidový ventil snadno přístupný, musí montér zajistit ochranu před náhodným kontaktem. Aby se zabránilo ohrožení elektrostatickým výbojem, čistěte povrch cívky pouze vlhkou tkaninou. Nepoužívejte rozpouštědla.

ÚDRŽBA

UPOZORNĚNÍ: Před prováděním servisu vypněte napájení. Montér musí postupovat ve shodě s Evropskou směrnicí 1999/92/EC a příruženými normami.
 Žádné náhradní díly ATEX nejsou k dispozici.
 Solenoidový ventil nelze demontovat ani seřizovat.
 Nevýjímějte cívku z pneumatické části solenoidového ventilu.

DEMONTÁŽ/OPĚTOVNÁ MONTÁŽ KONEKTORU SOLENOIDOVÉHO VENTILU:

Tuto operaci musí provádět vhodně kvalifikovaná osoba. Odšroubujte a vyjměte konektor.
 Opětovnou montáž provádějte v opačném pořadí než demontáž (dodržujte utažovací moment (A)).
 Aby bylo dosaženo krytí IP65/IP67, musí být solenoidový ventil a sestava skládající se z těsnění a konektoru kompletně sestaveny.
Chybným sestavením se ruší platnost schválení výrobku. Pokud vyměňujete díly sám uživatel, nemůže společnost ASCO Numatics zajistit funkčnost finálního výrobku a odpovídá za ni uživatel sám.



INFORMACJE OGÓLNE

Niniejsze instrukcje montażu i konserwacji dotyczą zaworów elektromagnetycznych serii 302 1...IA wyposażonych w podkładkę montażową zgodną z normą ISO 15218 [rozmiar 15 CNOMO (E06.36.120N)]. W razie montażu lub instalacji na innym zaworze podczas montowania i oddawania do użytku zaworu elektromagnetycznego należy wziąć pod uwagę instrukcje montażu i konserwacji dotyczące konkretnego zaworu.

Postępowanie niezgodne z tymi instrukcjami może spowodować usterki, uszkodzenia lub obrażenia.

Ten podzespół nie jest dodatkowym elementem zabezpieczającym, jest on przeznaczony wyłącznie do użycia jako osobny komponent lub jako element składowy urządzenia, maszyn lub instalacji.

Wszystkie czynności związane z montażem, eksploatacją, obsługą i konserwacją muszą być wykonywane przez wykwalifikowany, autoryzowany personel.

Personel pracujący z podzespołami musi znać przepisy i wymagania dotyczące bezpieczeństwa, którym podlegają podzespoły urządzenia, maszyny oraz instalacje elektryczne (w przypadku zaworów, zaworów elektromagnetycznych, elektroniczne wyposażenia sterującego oraz instalacji sprężonego powietrza). W razie problemów należy się skontaktować z firmą ASCO Numatics lub jednym z jej autoryzowanych przedstawicieli.

OPIS

Zawór elektromagnetyczny typu 302 1...IA jest przeznaczony do sterowania przepływem płynów.

Zgodność z najważniejszymi wymogami BHP: Zawór elektromagnetyczny typu 302 1...IA, został zaprojektowany zgodnie z normami IEC oraz EN o numerach: 60079-0, 60079-11 oraz 60079-26.

Klasyfikacja: II 1 G Ex ia IIC T6 do T4 Ga
 II 1 D Ex ia IIC T85°C do T135°C Da
IP65 lub IP67

Wszystkie certyfikaty zgodności odpowiadające wymaganiom powyższych norm są dostępne pod adresem www.asconumatics.eu.

Numer certyfikatu kontroli EC: **INEEX 03 ATEX 0249 X**
Numer certyfikatu zgodności IECEx: **IECEx INE 10.0002X**

MONTAŻ

Szczegółowe warunki bezpiecznej eksploatacji i obsługi: Podzespoły firmy ASCO Numatics należy stosować tylko w zakresie parametrów technicznych podanych na tabliczce znamionowej lub w dokumentacji. Zmiany w budowie urządzenia są dozwolone dopiero po skonsultowaniu ich z producentem lub jego przedstawicielem.

Opisywany zawór elektromagnetyczny, wyposażony w sterownik solenoidu o klasyfikacji Ex ia, został zaprojektowany z myślą o montażu w środowiskach zagrożonych wybuchem, w obecności gazów grup IIA, IIB i IIC, oparów i mgieł grupy II (EPL Ga) oraz pyłów grupy III (EPL Da).

Klasyfikacja temperatury powierzchni to od T6-T85°C do T4-T135°C, a zależy ona od mocy znamionowej, temperatury otoczenia oraz montażu produktu.

W zależności od tych parametrów należy zastosować kabel odporny na działanie wysokich temperatur, podanych na cewce.

Przygotowanie:

- Sprawdź wstępne warunki przechowywania, wymagane dla podzespołu. Muszą być one zgodne ze specyfikacją produktu.
- Ostrożnie wyjmij podzespół z ich opakowań.
- Odłącz zasilanie i rozhermetyzuj urządzenie,** maszynę lub instalację przeznaczoną do zamontowania podzespołu. Określ wymagania dotyczące odłączenia zasilania i dehermetyzacji, aby zapobiec jakimkolwiek nieautoryzowanym interwencjom.
- Upewnij się, że jednostka, jej podzespoły oraz ich środowisko są czyste, i zabezpiecz je przed uszkodzeniami.
- Aby zabezpieczyć sprzęt, zainstaluj odpowiednie sitko lub filtr od strony dopływu, możliwe najbliżej podzespołu.
- Nie wprowadzaj zmian w urządzeniu.
- Aby zapobiec uszkodzeniu oszczepki, upewnij się, że powierzchnia współpracująca zaworu elektromagnetycznego jest czysta.
- Upewnij się, że płyn jest odpowiedni do materiałów, z którymi wchodzi w kontakt.

Stosowane płyny: powietrze lub neutralny gaz, filtrowane (50 µm). Dopuszczalna temperatura płynu
0,25 W: od 0°C do +40°C
0,5 W: od -10°C do +40°C

- Temperaturę tę może ograniczać znamionowa temperatura robocza zaworu pilotowego lub hydraulicznego. Punkt rosy -20°C.
- Zawór elektromagnetyczny musi być montowany w środowiskach powietrza lub cieczy, które nie powodują korozji.

- Stopień ochrony IP zgodnie z normą EN 60529: IP6X

PARAMETRY ELEKTRYCZNE

Cewki prądu stałego (= typ (seria) 302 1...IA).
Znamionowe napięcie zasilania :U_{max} = 28 V
Maks. zużycie prądu :I_{max} = 70 mA (12 V) lub 40 mA (24 V)
Maks. moc rozproszona :P_{max} = 1,6 W
Klasa izolacji F (155°C) 100% E.D.

Pn	parametry ochrony				
	U _i = (prąd stały)	I _i	P _i	L _i	C _i
(W)	(V)	(mA)	(W)	(mH)	(µF)
0,25 / 0,5	28	300	1,6	0	0

Zawór elektromagnetyczny typu 302 1...IA, musi być zasilany z bariery posiadającej certyfikat kwalifikujący do użytku w środowiskach zagrożonych wybuchem grupy IIC, IIB lub IIA, wyposażonej w nominalnie iskrobezpieczny układ wyjściowy. Układ zawór-bariera musi być zgodny pod względem samoisolnego bezpieczeństwa.

Aby uniknąć powstawania ładunków elektrostatycznych na obudowie, zawór elektromagnetyczny typu 302 1...IA musi być chroniony przed zewnętrznymi prądami powietrza i tarciem podczas użytkowania w strefie w strefie 0 grupy IIC.

Bariera napięciowa dla urządzenia musi mieć następujące maksymalne parametry: U_o = 28 V; I_o = 300 mA lub P_o = 1,6 W.

Ponieważ parametry Ci i Li urządzenia mają wartość zerową, maksymalne parametry wyjściowe Co i Lo bariery napięciowej muszą przekraczać efektywne wartości Ci i Lo zastosowanego kabla.

Wybór bariery i wykonanie połączeń pośrednich leżą w zakresie odpowiedzialności użytkownika.

Pn	maks. temp. otoczenia (°C) (1)				
	temperatura powierzchni				
	T6 85°C	T5 100°C	T4 135°C		
(W)	12V/24V	12V/24V	12V/24V		
	klasa izolacji F (155°C) 100% E.D. (2)				
0,25 / 0,5	40	40	50	60	60
	-	-	-	50	50

Sprawdź zgodność z wybranym produktem pod względem mocy. Minimalna temperatura otoczenia: -10°C (0,5 W) / 0°C (0,25 W)
Temperaturę tę może ograniczać znamionowa temperatura robocza zaworu pilotowego lub hydraulicznego.

Obliczenie warunków eksploatacji:
0,5 W:

$$I_i \text{ (mA)} = \frac{12 \text{ V lub } 24 \text{ V z diodą LED : } [V_s - 1,2 - 0,003 (R_s + R_c)] \times 1000}{(R_c + R_s + R_e)} + 3$$

$$I_i \text{ (mA)} = \frac{12 \text{ V lub } 24 \text{ V bez diody LED : } [V_s - 1,2 - 0,003 (R_s + R_c)] \times 1000}{(R_c + R_s + R_e)}$$

$$I_i \text{ (mA)} = \frac{0,25 \text{ W : } [V_s - 1,2 - 0,002 (R_s + R_c)] \times 1000}{(R_c + R_s + R_e)} + 2$$

Wartość ta (I_i), a także maksymalny prąd bariery/złącza (jeśli nieliniowe) muszą przekraczać 33 mA (12 V z diodą LED), 25 mA (24 V z diodą LED, 0,5 W), 20 mA (24 V bez diody LED, 0,25 W), 30 mA (12 V bez diody LED), 22 mA (24 V bez diody LED).



- I_i (mA) Minimalny prąd zasilania dla produktu
- R_s (Ω) Maks. rezystancja bariery
- T_s (°C) Maks. temperatura otoczenia
- R_c (Ω) Maks. rezystancja kabli przyłączeniowych
- V_s (V) Min. napięcie bariery/złącza bez obciążenia
- R_e (Ω) Maks. rezystancja cewki.

$$12 \text{ V z diodą LED} = \frac{288 (T_a + 234 + 10)}{254}$$

$$24 \text{ V z diodą LED} = \frac{563 (T_a + 234 + 10)}{254}$$

W zależności od tych parametrów należy zastosować kabel odporny na działanie wysokich temperatur, podanych na cewce. Aby zachować zgodność z dyrektywą europejską 1999/92/WE i odpowiednimi normami, potrzebny jest montaż.

ZGODNE BARIERY I ZŁĄCZA

Opisywane zawory elektromagnetyczne 12 V i 24 V prądu stałego są zgodne z barierami przedstawionymi w tabeli na stronach 32 i 33. Zawory 12 V prądu stałego, które są zgodne z barierami 24 V prądu stałego, są identyfikowane odnośnikami (1).

Barierzy i złącza pozwalają zasilać solenoidy iskrobezpieczne, instalowane w obszarach zagrożonych wybuchem. Sprzęt ten należy zamawiać u odpowiednich producentów, deklarując, że jest przeznaczony do bezpiecznego zasilania solenoidów iskrobezpiecznych 302 1...IA. II 1 G Ex ia IIC T6 do T4 Ga, II 1 D Ex ia IIC T85°C do T135°C Da.

Zgodnie z lokalnymi przepisami i w zależności od strefy należy zastosować procedurę atestacji odpowiednią do kombinacji produktów iskrobezpiecznych.

ASCO Numatics zrzeka się wszelkiej odpowiedzialności w razie korzystania z produktów od innych dostawców i ewentualnej modyfikacji ich parametrów.

INSTALACJA ELEKTRYCZNA

Odpowiedzialność za montaż zaworu elektromagnetycznego ponosi firma działająca w danym zakładzie przemysłowym. Cała instalacja musi spełniać normę EN 60079-14.

Przed przystąpieniem do jakichkolwiek czynności należy odłączyć zasilanie podzespołów. Przed uruchomieniem wszystkie zaciski śrubowe muszą zostać dokręcone odpowiednim momentem.

Przewody należy zainstalować tak, aby w korpusie zaworu nie występowały napięcia.

Podczas podłączania przewodów do zaworów elektromagnetycznych serii 302 przed podłączeniem przewodów do zacisków należy umieścić wszystkie przewody w kanałach przewodów lub w ciągu przewodów.

Na połączenie elektryczne składają się:
• Odłączony zacisk o stopniu ochrony IP65 (jeśli jest poprawnie zamontowany). Dokręć wszystkie przewody w zacisku złącza określonym momentem. Moment obrotowy dławika przewodu wynoszący 2,5 ±0,1 Nm zapewnia szczelność dla stopnia ochrony IP65.
• Numer katalogowy złącza prostokątnego, ISO 15217/DIN 43650, kształt C: **88130216** (śr. wlotu kablowego od 4 do 6 mm)
• Numer katalogowy złącza prostokątnego DIN 43650, 9,4 mm, norma przemysłowa B: **88130202** (śr. wlotu kablowego od 4 do 6 mm)
• Zacisk M12 (+24 V prądu stałego) o stopniu ochrony IP67 (jeśli jest poprawnie zamontowany).
– Numer katalogowy złącza prostokątnego do podłączenia: **88130221**

– Numer katalogowy złącza prostego do podłączenia: **88130222**
Złącze dostarczane z każdym produktem MUSI zostać zamontowane. Jeśli złącze nie jest dołączone do zaworu elektromagnetycznego, użytkownik musi zamontować złącze certyfikowane IP6X w odniesieniu do zakresu temperatury pracy zaworu elektromagnetycznego. Każdy inny sposób montażu/instalacji spowoduje unieważnienie atestu. Nie należy montować ani wymontowywać złącza, jeśli zasilanie jest WŁĄCZONE.

Działanie: Przed zwiększeniem ciśnienia w instalacji należy najpierw wykonać test elektryczny. Kilkakrotnie włącz zasilanie cewki i upewnij się, że słychać metaliczne „kliknięcie”, świadczące o działaniu elementu roboczego elektromagnesu. Personel pracujący z podzespołami musi znać sterowanie elektryczne,

takie jak redundancje i sprzężenie zwrotne (sterowanie elektroniczne), tam gdzie ma ono zastosowanie. **Używanie:** Cewki są przeznaczone do stałego działania, dlatego mogą się nagrzewać.

Jeśli zawór elektromagnetyczny jest łatwo dostępny, monter powinien go zabezpieczyć przed przypadkowym kontaktem. Aby nie doszło do przegrzania, zawór elektromagnetyczny nie powinien pracować w zamkniętej przestrzeni bez odpowiedniej wentylacji.

POŁĄCZENIE

- Połącz wszystkie złącza, które mogą mieć styczność z płynami. Dokonaj montażu zgodnie z wzorcem podkładki montażowej ISO 15218 (rozmiar 15 CNOMO). Upewnij się, że na podkładce montażowej umieszczono wszystkie uszczelki.
- Wstępnie zamontuj naprzemiennie i równomiernie 2 wkręty M3 x 20, dokręcając je momentem obrotowym 0,3/0,5 Nm, a następnie dokręć je momentem obrotowym 1 Nm ±0,2 (E).
- Oczyść przewody, które będą połączone z podzespołem.
- Upewnij się, jaki jest kierunek przepływu płynu.
- Zastosuj wyłącznie udostępnione możliwości podłączenia.
- Upewnij się, że do obwodu nie mogą się dostać żadne ciała obce, szczególnie podczas wykonywania próby szczelności obwodu.
- Sterowanie ręczne, wskazywane przez symbol (H), umożliwia działanie zaworu bez zasilania elektrycznego.
- Upewnij się, że promienie gębcia rur są dozwolone, a przepływ płynu przez złącza nie jest ograniczony.
- Rury i elementy połączeń nie mogą wywierać na produkt żadnego nacisku, momentu ani naprężenia.
- Używaj odpowiednich narzędzi i umieszczaj narzędzia do montażu jak najbliżej punktu złącza.
- Upewnij się, że podczas dokręcania połączeń orurowania zastosowano zalecane momenty.
- Połączenia muszą być solidnie wykonane.

UWAGA

Wykroczenie poza zakres elektrycznych wartości znamionowych cewki spowoduje jej uszkodzenie lub przedwczesne zniszczenie. Spowoduje to również unieważnienie atestu na używane w środowiskach zagrożonych wybuchem spowodowanym przez gazy lub pary.

OSTRZEŻENIE: Nieautoryzowany personel nie ma uprawnień do demontażu ani wyjmowania cewki ani zespołu złącza. Podczas demontażu i montażu zespołu złącza/cewki należy zachować ostrożność, aby nie uszkodzić współpracujących powierzchni. **Nieprawidłowy montaż spowoduje unieważnienie atestu.**

DZIAŁANIE

Aby wyeliminować ryzyko odniesienia obrażeń lub uszkodzenia mienia, nie należy dotykać cewki. W warunkach normalnej eksploatacji cewka może się nagrzewać. Jeśli zawór elektromagnetyczny jest łatwo dostępny, monter powinien zapewnić zabezpieczenie przed przypadkowym kontaktem. Aby wykluczyć zagrożenie elektrycznością statyczną, powierzchnię cewki należy oczyścić tylko wilgotną szmatką. Nie stosować rozpuszczalników.

KONSERWACJA

UWAGA: Przed przystąpieniem do obsługi wyłącz zasilanie elektryczne.

Aby zachować zgodność z dyrektywą europejską 1999/92/WE i odpowiednimi normami, potrzebny jest montaż. Nie są dostępne żadne zastępcze części zamiennych ATEX. Zaworu elektromagnetycznego nie można rozmontowywać ani regulować. Nie należy wymontowywać cewki z części pneumatycznej zaworu elektromagnetycznego.

MONTAŻ/DEMONTAŻ ZŁĄCZA ZAWORU ELEKTROMAGNETYCZNEGO:

Czynność tę należy powierzyć wykwalifikowanemu personelowi. Odkręć i wymontuj złącze. Zamontuj je w kolejności odwrotnej niż podczas demontażu (upewnij się, że zastosowano moment dokręcania – A). Zawór elektromagnetyczny i zespół składający się z uszczelki i złącza musi zostać kompletnie zamontowany, aby zapewnić certyfikat ochrony na poziomie IP65/IP67. **Nieprawidłowy montaż spowoduje unieważnienie atestu. W przypadku wymiany części przez użytkownika firma ASCO Numatics nie może zagwarantować identyfikowalności produktu końcowego. Pozostaje to w gestii użytkownika.**

ÁLTALÁNOS TUDNIVALÓK
 Ezen Telepítési és karbantartási útmutatók a 302.1...IA mágnesszelepekre vonatkoznak, amelyek ISO 15218-nak megfelelő szerelőlappal vannak ellátva (CNOMO 15 méret (E06:36:120N)).
 Más szelleppel végzett szerelés vagy telepítés esetén a mágnesszelep szerelését és üzembe helyezését az adott szelepre vonatkozó Telepítési és karbantartási útmutató, valamint Megfelelőségi nyilatkozat alapján kell végrehajtani.
 Az útmutatóban leírt utasítások be nem tartása a szelep hibás működését, károsodását vagy sérülést eredményezhet.
 Ez az alkatrész nem biztonsági kiegészítő, csak külön alkatrészként vagy egy berendezés, gép illetve készülék beépített részeként használható.
 Az egység összeszerelését, üzemeltetését, használatát és karbantartását csak szakképzett és arra felhatalmazott személy végezheti.
 Az alkatrészekkel dolgozó személyeknek ismerniük kell az alkatrészek, berendezésre, gépre és elektromos szerelésekre (szelepek, mágnesszelepek, elektronikus vezérlőegységek, levegőellátó berendezések vonatkozásában) vonatkozó biztonsági előírásokat és követelményeket. Ha probléma merül fel, forduljon az ASCO Numatics-hoz vagy valamelyik hivatalos képviselőjéhez.

LEÍRÁS

A 302.1...IA típusú mágnesszelep folyadék szabályozására szolgál.

Alapvető egészségvédelmi és biztonsági követelmények:
 A 302.1...IA mágnesszelepek az alábbi IEC és EN szabványok alapján készültek: 60079-0, 60079-11 és 60079-26.

Osztály: II 1 G Ex ia IIC T6 és T4 Ga
 II 1 D Ex ia IIIC T85°C és T135°C Da
 IP65 vagy IP67

A nevezett szabványok alapján készült megfelelőségi nyilatkozatok letölthetők a www.ascnumatics.eu címről.

EC-típusvizsgálati tanúsítvány száma: **INERIS 03 ATEX 0249 X IECEx megfelelőségi nyilatkozat száma: IECEx INE 10.0002X**

TELEPÍTÉS

A biztonságos használat különleges feltételei:
 Az ASCO Numatics alkatrészek csupán az adattáblán, illetve a dokumentációban meghatározott műszaki jellemzők tartományán belül használhatók. A berendezésen csak a gyártóval vagy annak képviselőjével történt egyeztetés után hajthatók végre változtatások.
 Ez a szolenoid szelep, amely fel van szerelve egy Ex ia helyezett szolenoid üzemeltető úgy tervezték, hogy kell telepíteni a robbanásveszélyes légkörben gázok által okozott csoportok IIA, IIB és IIC, gázok vagy ködök csoport II (EPL Ga) és porok csoport III (EPL Da).
 A felületi hőmérséklet-osztály T6-T85°C és T4-T135°C közötti, ami függ a feltüntetett névleges teljesítménytől, környezeti hőmérséklettől és a termék beszerelésétől.
 A környezeti hőmérséklettől/névleges teljesítménytől függően a tekercsen megjelölt hőmérsékletnek megfelelő tűzálló kábelt kell használni.

Előkészítés:

- Ellenőrizze az alkatrész előzetes tárolására vonatkozó feltételeket. Ezeknek meg kell felelniük a termék műszaki adatainak.
- Övatosan vegye ki az alkatrészeket a csomagolásból.
- Kapcsolja ki és nyomámentesítse a berendezést**, gépet vagy készüléket, amelybe az alkatrészt be szeretné építeni. Hátöröszkölje meg a kikapcsolási és nyomámentesítési követelményeket, hogy megelőzze a véletlen baleseteket.
- Ellenőrizze, hogy az egység, annak alkatrészei és azok környezete tiszta, és védje meg az esetleges károsodástól.
- A berendezés védelme érdekében építsen be megfelelő bemeneti szűrőt az alkatrész elé, olyan közel, amennyire csak lehetséges.
- Ne változtassa meg a készüléket.
- Ügyeljen arra, hogy a mágnesszelep érintkező felületé tisztá legyen, nehogy károsodjanak a tömítések.
- Ellenőrizze, hogy a közeg kompatibilis az azzal érintkező anyagokkal.
- Használjon közeg: levegő vagy semleges gáz, szűrő (50 µm). Közeg megengedett hőmérséklete:

0,25 W: 0 °C és +40 °C között
0,5 W: -10 °C és +40 °C között

Ezt a hőmérsékletet a vezérlőszelep vagy az ütszelep üze-

mi hőmérséklete korlátozhatja. Harmatpont -20 °C.
 • A mágnesszelep nem korrodáló levegőbe vagy folyadékba szabad beépíteni.

• Behatolás elleni védelem EN 60529 szerint: IP6X

ELEKTROMOS KARAKTERISZTIKA

DC tekercsek (=)
 típus (sorozat) 302.1...IA
 Névleges tápfeszültség : Umax = 28 V
 Max. áramfelvétel : Imax = 70 mA (12 V) vagy 40 mA (24 V)
 Max. teljesítményvesztés : Pmax. = 1,6 W
 „F” szigetelési kategória (155 °C) 100% E.D.

Pn	biztonsági paraméterek				
	U = (DC)	I _l	P _i	L _i	C _i
(W)	(V)	(mA)	(W)	(mH)	(µF)
0,25 / 0,5	28	300	1,6	0	0

A 302.1...IA mágnesszelep táplálását olyan potenciál-gáton keresztül kell megoldani, ami IIC, IIB vagy IIA csoportba tartozó potenciálisan robbanásveszélyes atmoszférákra jóvá lett hagyva, és gyújtószikramentes kimeneti áramkörrel rendelkezik. A szelep-potenciál-gát kombinációnak együttesen is gyújtószikramentesnek kell lennie.
 A készülékhez elektrosztatikus feltöltődésének megelőzésére a 302.1...IA mágnesszelepet védeni kell a külső légáramlástól és sűrűdéstől, ha a IIC csoport 0. zónájában használják.
 A berendezés potenciál-gátjának az alábbi maximális karakterisztikával kell rendelkeznie: Uo = 28 V ; Io = 300 mA vagy Po = 1,6 W.
 Mivel a berendezés Ci és Li paramétere is nulla, a potenciál-gát maximális Co és Lo karakterisztikájának meg kell haladnia bekötésre használt kábel effektív C és L értékét.
 A potenciál-gát kiválasztása és a megfelelő bekötések kivitelezése a felhasználó felelőssége.

Pn	max. környezeti °C ⁽¹⁾			
	T6	T5	T4	
(watt)	85 °C	100 °C	135 °C	
	12V/24V/12V/24V/12V/24V			
F szigetelési kategória (155 °C) 100% E.D. ⁽²⁾	40	40	50	60
0,25 / 0,5	-	-	50	50

mágnesszelep külön szerelve
 mágnesszelep sorba szerelve

Ellenőrizze a teljesítmény-kompatibilitást a kiválasztott termékkel.

Minimális környezeti hőmérséklet: -10 °C (0,5 W) / 0 °C (0,25 W)
 Ezt a hőmérsékletet a vezérlőszelep vagy az ütszelep üzemi hőmérséklete korlátozhatja.

Az üzemi feltételek kiszámítása:
 0,5 W:

$$I_l \text{ (mA)} = \frac{[V_s - 1,2 - 0,003 (R_b + R_l)] \times 1000}{(R_c + R_l + R_b)} + 3$$

$$I_l \text{ (mA)} = \frac{[V_s - 1,2 - 0,003 (R_b + R_l)] \times 1000}{(R_c + R_l + R_b)}$$

0,25 W:
24 V LED-del :

$$I_l \text{ (mA)} = \frac{[V_s - 1,2 - 0,002 (R_b + R_l)] \times 1000}{(R_c + R_l + R_b)} + 2$$

Ez az érték (I_l) valamint a potenciál-gát/illesztő maximális áramának értéke (ha nem lineáris) nem haladhatja meg a 33 mA-t (12 V LED-del), 25 mA-t (24 V LED-del, 0,5 W), 20 mA-t (24 V LED-del, 0,25 W), 30 mA-t (12 V LED-del), vagy 22 mA-t (24 V LED nélkül).

I_l (mA) A termék minimális tápáramának erőssége
 R_l (Ω) Potenciál-gát max. ellenállása
 T_l (°C) Max. környezeti hőmérséklet
 R_c (Ω) Az összekötő kábelék maximális ellenállása
 V_s (V) A potenciál-gát/illesztő minimális feszültsége terhelés nélkül
 R_c (Ω) Tekercs max. ellenállása:

12 V LED-del = $\frac{288 (T_a + 234 + 10)}{254}$

24 V LED-del = $\frac{563 (T_a + 234 + 10)}{254}$

A környezeti hőmérséklettől/névleges teljesítménytől függően a tekercsen megjelölt hőmérsékletnek megfelelő tűzálló kábelt kell használni.

A szerelőnek a 1999/92/EK európai irányelvnek és a kapcsolódó szabványoknak megfelelően kell eljárnia.

KOMPATIBILIS POTENCIÁL-GÁTAK ÉS ILLESZTŐK

Ezek a 12 V-os és 24 V-os egyenáramú mágnesszelepek a 32. és 33. oldalon lévő táblázatban szereplő potenciál-gátakkal kompatibilisek. A 24 V-os egyenáramú potenciál-gátakkal kompatibilis 12 V-os egyenáramú mágnesszelepek index (1) jelzi. Ezek a potenciál-gátak és illesztők teszik lehetővé a gyújtószikramentes mágnesszelepek táplálását robbanásveszélyes környezetben. Ezeket a berendezéseket a gyártójuktól kell megrendelni, megadva, hogy azok gyújtószikramentes 302.1...IA, II 1 G Ex ia IIC T6 és T4 Ga, II 1 D Ex ia IIIC T85°C és T135°C Da mágnesszelepek gyújtószikramentes táplálásához szükségesek.
 A gyújtószikramentes termék minősítési eljárását a zónák alapján és az állami rendelkezéseknek megfelelően kell elvégezni.
 Az ASCO Numatics minden felelősséget elhárít más gyártók termékeinek használatával és jellemzőik esetleges módosításával kapcsolatban.

ELEKTROMOS TELEPÍTÉS

A mágnesszelepet az ipari területet üzemeltető cég felelőssége alatt kell telepíteni. A rendszer egységének meg kell felelnie az EN60079-14 szabványoknak.

Bármilyen munka megkezdése előtt le kell kapcsolni az áramellátást a komponensek áramtalanítása érdekében. A gyújtószócsavarokat a használat megkezdése előtt meg kell húzni a megadott nyomatékkal.

⚠ **Ügy szerelje be a kábelt, hogy a szelepház ne feszüljön.** Amikor a 302-es sorozatú mágnesszelepekhez csatlakoztatja a kábeleket, még a csatlakozókhoz történő rögzítés előtt helyezze el azokat a kábeltálcákban vagy kábelcsatornában. Elektromos csatlakozások:

- IP65 védeleml osztályú (megfelelő felszerelés esetén) levehető csatlakozó. A csatlakozó kapcsain minden vezetékét a megadott nyomatékkal kell meghúzni. A kábelbontás elvégzéséhez meg kell húzni a kábelvezetés át-
 • IP65 védeleml osztályú (megfelelő felszerelés esetén) M12 csatlakozó (+24 V DC)
 - Vezetékezendő derékszögű csatlakozó katalógusszáma: **88130221**
 - Vezetékezendő egyenes csatlakozó katalógusszáma: **88130222**

Az egyes termékekhez mellékelte csatlakozót fel KELL szerelni. Amennyiben csatlakozó nincs mellékelve a mágnesszelephez, a felhasználónak kell felszerelnie egy, a mágnesszelep üzemeltetési hőmérséklet-tartományának megfelelő, IP6X tanúsítvánnyal rendelkező csatlakozót. Ettől eltérő szerelés/telepítés esetén az engedély érvényét veszti. A csatlakozó fel- vagy leszerelésekor az áramellátást ki kell kapcsolni.

Működés: A rendszer nyomás alá helyezése előtt végezzen elektromos tesztet. Helyezze többször is áram alá a tekercset, és

figyeljen a mágnesszelep működését jelző fémes kattanó hangra. Az alkatrészekkel dolgozó személyeknek ismerniük kell az elektromos vezérlő eszközök működését, például a redundanciákat és visszacsatolásokat (elektronikus vezérlés), ha vannak ilyenek.

Használat: A tekercsek folyamatosan használhatók vannak, ezért felforrósodhatnak. Ha a mágnesszelep könnyen hozzáférhető, tegye meg a megfelelő óvintézkedéseket az égeséket okozó véletlen érintkezés megelőzésére. A túlmelegedést megelőzően megfelelő szellőzés nélkül ne működtesse a mágnesszelepet zárt térben.

CSATLAKOZTATÁS

- Csatlakoztassa a közeggel érintkező nyílásokat. A szerelést a 15-ös méretű CNOMO szerelőlapoz előírt módon, az ISO 15218 szerint kell elvégezni. Ellenőrizze, hogy minden tömítés fel van helyezve a szerelőlapra.
- Előzetesen csavarja be a 2 M3 x 20 csavart felváltva és egyenletesen 0,3/0,5 Nm nyomatékkal, majd húzza meg őket 1 Nm ^{±0,2} nyomatékkal (E).
- Tisztítsa meg a komponensek csatlakozó védőcsöveket.
- Ügyeljen a közeg áramlásának irányára.
- Csak a megadott csatlakozási lehetőségeket használja.
- Ügyeljen arra, hogy ne kerüljön idegen tárgy a körbe, különösen ha szivárgásmegelőzés kívánja tenni a csatlakozást.
- A (F) szimbólummal jelzett kézi vezérlés lehetővé teszi a szelep elektromos áram nélküli működtetését.
- Ügyeljen a csövezetek engedélyezett hajlítási sugarára: ne korlátozza a közeg áramlását a nyílásokon át.
- A csövek és a csatlakozó elemek nem fejtethetik ki semmilyen erőt, nyomatékot vagy egyéb terhelést a termékre.
- A megfelelő szerszámokat használja, ezeket a lehető legközelebb helyezze a csatlakozási pontokhoz.
- A csöcsatlakozások meghúzásakor ügyeljen a javasolt meghúzási nyomaték alkalmazására.
- A csatlakozásoknak tartósaknak kell lenniük.

FIGYELMEZTETÉS

A tekercs névleges terhelési tartományán kívül eső elektromos terhelés a tekercs károsodását vagy idő előtti elhasználódását eredményezheti. Ez érvényteleníti a robbanásveszélyes gáz vagy por atmoszférában való használatra vonatkozó jóváhagyást is.

VIGYÁZAT: A tekercset vagy a csatlakozó szerelvényt csak arra felhatalmazott személy szerelheti szét vagy helyezi át. A csatlakozó/tekercs szerelvény le- és visszaszerelésekor ügyeljen arra, hogy ne rongálja meg az érintkező felületeket.

A helytelen összeszerelés érvényteleníti a jóváhagyást.

MŰKÖDÉS

A személyi sérülés és az anyagi kár veszélyének elkerülése érdekében ne érintse meg a tekercset. A tekercs normál üzemi körülmények között is felforrósodhat. Ha a mágnesszelep könnyen megközelíthető helyen van, el kell látni a véletlen érintés megakadályozását szolgáló védelemmel.
 Az elektrosztatikus veszélyének megelőzése érdekében mindig nedves ruhával tisztítsa a tekercs felszínét. Ne használjon oldószer-t.

KARBANTARTÁS

FIGYELEM: Szervizelés előtt kapcsolja le az áramellátást. A szerelőnek a 1999/92/EK európai irányelvnek és a kapcsolódó szabványoknak megfelelően kell eljárnia. ATEX pótkábelhez készletek nem kaphatók. A mágnesszelepet nem lehet szétszerelni vagy beállítani. Ne vegye le a tekercset a mágnesszelep pneumatikus részéről.

A MÁGNESSELEP CSATLAKOZÓJÁNAK LE-VISSZA-SZERELÉSE:

Ezt a műveletet csak képzett szakember végezheti. Csavarja ki és vegye le a csatlakozót. Visszaszerelni a leszerelés fordított sorrendjében kell (ügyeljen a meghúzási nyomatékra (A)). Az IP65/IP67-es védettség tanúsításához teljes egészében vissza kell szerelni a mágnesszelepet, valamint a tömítés és a csatlakozó alkotta szerelvényt.
A helytelen összeszerelés érvényteleníti a jóváhagyást. A felhasználó által végrehajtott alkatrészcsere esetén az ASCO Numatics nem tudja garantálni a végtérmelem nyomon követhetőségét; erről a felhasználónak kell gondoskodnia.

ОБЩИЕ СВЕДЕНИЯ
 Эти инструкции по установке и обслуживанию относятся к серии 302 1...IA. Электромагнитных клапанов с опорной монтажной подушкой по ISO 15218 (CNOMM размера 15 [E06.36.120N]).

В случае сборки или установки на другом клапане следует принять во внимание инструкции по установке и обслуживанию и заявления о соответствии специфического клапана для сборки и ввода в эксплуатацию электромагнитного клапана.

При несоблюдении этих инструкций возможны неисправность, повреждение или травма.

Этот компонент не является защитным устройством и предназначен только для соответствующего применения в качестве отдельного компонента или в составе аппаратуры, механизмов и установок.

Все работы по сборке, управлению, эксплуатации и обслуживанию выполняются квалифицированным, уполномоченным персоналом.

Персонал, работающий с компонентами, должен знать правила и требования техники безопасности, касающиеся компонентов, аппаратуры, механизмов и электрооборудования (для клапанов, электромагнитных клапанов, электронных контрольно-измерительных приборов, воздушного вспомогательного оборудования). В случае проблем свяжитесь с компанией ASCO Numatics или одним из ее уполномоченных представителей.

ОПИСАНИЕ

Электромагнитный клапан типа 302 1...IA. предназначен для контроля жидкости.

Важнейшие требования по охране труда и технике безопасности: Электромагнитный клапан типа 302 1...IA. разработан в соответствии с рекомендациями стандартов IEC и EN: 60079-0, 60079-11 и 60079-26.

Классификация:
 Ⓢ II 1 G Ex ia IIC T6 – T4 Ga
 Ⓢ II 1 D Ex ia IIC T85°C – T135°C Da
 IP65 или IP67

Сертификаты соответствия по этим стандартам находятся на веб-сайте www.asconumatics.eu

Сертификат соответствия требованиям Директивы EC №: **INERIS 03 ATEX 0249 X**
 Сертификат соответствия IECEx №: **IECEx INE 10.0002X**

УСТАНОВКА

Особые условия по безопасной эксплуатации:
 Компоненты ASCO Numatics предназначены для применения только в рамках технических характеристик, указанных на паспортной табличке или в документации. Внесение изменений в конструкцию оборудования допускается только после консультации с производителем или его представителем.

Этот электромагнитный клапан, оборудованный электромагнитным управляющим устройством класса Ex ia, предназначен для установки в потенциально взрывоопасных атмосферах, вызванных газами групп IIA, IIB и IIC, испарениями или аэрозолями группы II (EPL Ga) и пылью группы III (EPL Da).

Классификация температуры поверхности T6-T85°C – T4-T135°C зависит от номинальной мощности, температуры окружающей среды и сборки изделия.

В зависимости от температуры окружающей воздуха/номинальной мощности необходимо использовать термостойкий кабель, подходящий для температурных условий, указанных на катушке.

Подготовка:

- Проверьте предварительные условия хранения, требуемые для компонента. Они должны соответствовать техническим характеристикам изделия.
- Осторожно извлеките компоненты из их упаковки.
- **Выключите питание и сбросьте давление в аппаратуре,** механизмах или установке, предназначенных для приема компонентов. Предусмотрите требования выключения питания и сброса давления для предотвращения любого несанкционированного вмешательства.
- Убедитесь в чистоте блока, его компонентов и окружающей обстановки и защитите их от повреждения.
- Для защиты оборудования установите подходящий сетчатый или обрывной фильтр со стороны питания и как можно ближе к компоненту.
- Не изменяйте конструкцию устройства.
- Обеспечьте чистоту сопрягаемой поверхности электромагнитного клапана во избежание повреждения уплотнений.
- Убедитесь в том, что жидкость совместима с контактируемыми материалами.
- Используемые жидкости: воздух или нейтральный газ, отфильтрованные (50 мкм).
- Допустимая температура жидкости:
0,25 Вт: 0... +40 °C
0,5 Вт: -10... +40 °C

- Эта температура может быть ограничена номинальной рабочей температурой управляющего или золотникового клапана. Точка росы -20 °C.
- Электромагнитный клапан следует устанавливать в коррозионно-стойкой, воздушной или жидкой среде.

- Степень защиты корпуса в соответствии с EN 60529: IP6X

ЭЛЕКТРИЧЕСКИЕ ХАРАКТЕРИСТИКИ

Пост. ток катушек (= тип (серия) 302 1...IA.
 Номинальное напряжение питания : Umax = 28 В
 Макс. потребляемый ток : Imax = 70 мА (12 В) или 40 мА (24 В)
 Макс. мощность рассеяния : Pmax = 1,6 Вт
 Класс изоляции F (155 °C) 100 % E.D.

Pn	параметры безопасности				
	U _i (= пост. ток) (ВТ)	I _i (МА)	P _i (ВТ)	L _i (МГН)	C _i (МКФ)
0,25/0,5	28	300	1,6	0	0

Электромагнитный клапан типа 302 1...IA. должен получать питание с барьера напряжения, сертифицированного для использования в потенциально взрывоопасных атмосферах групп IIC, IIB или IIA и оснащенного выходным контуром искробезопасного класса. Комбинация клапана и барьера должна быть совместима в отношении искробезопасности.

Во избежание электростатического разряда кожула электромагнитный клапан типа 302 1...IA должен иметь защиту от внешних воздушных потоков и трения при использовании в зоне 0 группы IIC.

Барьер напряжения для оборудования должен иметь следующие максимальные характеристики: Uo = 28 В; Io = 300 мА или Po = 1,6 Вт
 Так как оба параметра Ci и Li оборудования равны нулю, максимальные выходные характеристики Ci и Li барьера напряжения должны быть выше эффективных значений Ci и Li используемого соединительного кабеля. При выборе барьера и создании разводки ответственность возлагается на пользователя.

Pn (ВАТТ)	макс. темп. окружающей среды °C (1)					
	температура поверхности					
	T6 85 °C		T5 100 °C		T4 135 °C	
0,25/0,5	12 В	24 В	12 В	24 В	12 В	24 В
	класс изоляции F (155 °C) 100 % E.D. (2)					
0,25/0,5	40	40	50	60	60	60
	-	-	-	-	50	50

Проверьте совместимость мощности с выбранным изделием.
Минимальная температура окружающей среды: -10 °C (0,5 Вт) / 0 °C (0,25 Вт)

Эта температура может быть ограничена номинальной рабочей температурой управляющего или золотникового клапана.

Расчет условий эксплуатации:

0,5 Вт:
12 В или 24 В со светодиодам:

$$I_i \text{ (мА)} = \frac{[V_s - 1,2 - 0,003 (R_s + R_i)] \times 1000}{(R_s + R_i)} + 3$$
12 В или 24 В без светодиода:

$$I_i \text{ (мА)} = \frac{[V_s - 1,2 - 0,003 (R_s + R_i)] \times 1000}{(R_s + R_i)}$$
0,25 Вт:
24 В со светодиодам:

$$I_i \text{ (мА)} = \frac{[V_s - 1,2 - 0,002 (R_s + R_i)] \times 1000}{(R_s + R_i)} + 2$$

Это значение (I_i), а также максимальная сила тока барьера/интерфейса (если он нелинейный) должны превышать 33 мА (12 В со светодиодом), 25 мА (24 В со светодиодом, 0,5 Вт), 20 мА (24 В со светодиодом, 0,25 Вт), 30 мА (12 В без светодиода), 22 мА (24 В без светодиода).
 I_i (мА) Минимальный ток питания для изделия

R_s (Ω) Макс. сопротивление барьера
 T_s (°C) Макс. температура окружающего воздуха
 R_i (Ω) Макс. сопротивление соединительных кабелей
 V_s (В) Мин. напряжение без нагрузки для барьера/интерфейса
 R_i (Ω) Макс. сопротивление катушки.

12 В со светодиодом =

$$\frac{288 (T_s + 234 + 10)}{254}$$

24 В со светодиодом =

$$\frac{563 (T_s + 234 + 10)}{254}$$

В зависимости от температуры окружающего воздуха/номинальной мощности необходимо использовать термостойкий кабель, подходящий для температурных условий, указанных на катушке. Установщик должен действовать в соответствии с Европейской директивой 1999/92/ЕС и сопутствующими стандартами.

СОВМЕСТИМЫЕ БАРЬЕРЫ И ИНТЕРФЕЙСЫ

Эти электромагнитные клапаны 12 и 24 В пост. тока совместимы с барьерами, указанными в таблице на стр. 32 и 33. Клапаны 12 В пост. тока, которые совместимы с барьерами 24 В пост. тока, идентифицируются по индексу (1). Эти барьеры и интерфейсы используются для питания искробезопасных электромагнитных клапанов, расположенных во взрывоопасных зонах. Для заказа данного оборудования необходимо обратиться к соответствующим производителям, указав, что оборудование предназначено для питания искробезопасных электромагнитных клапанов 302 1...IA., II 1 G Ex ia IIC T6 – T4 Ga, II 1 D Ex ia IIC T85°C – T135°C Da. В соответствии с зонами и следяя законодательным актам своей страны, выполните процедуры сертификации, связанные с совмещением искробезопасных изделий. Компания ASCO Numatics не несет никакой ответственности за использование изделий сторонних поставщиков и за возможные модификации их характеристик.

ЭЛЕКТРИЧЕСКАЯ УСТАНОВКА

Электромагнитный клапан должен устанавливаться под ответственность управляющей компании промышленного предприятия. Система в сборе должна соответствовать стандарту EN60079-14.
Перед началом любых работ выключите электропитание, чтобы обесточить компоненты.
 Перед началом работы следует затянуть винтовые клеммы с соответствующим крутящим моментом.

⚠ Установите кабель так, чтобы не было натяжения на корпусе клапана. При подключении кабелей к электромагнитным клапанам серии 302 сначала поместите все кабели в кабельные лотки или токопроводы, прежде чем присоединять их к соединителям. Электрическое соединение выполняется с помощью:
 • Разъемного соединителя с защитой IP65 (при правильном монтаже).
 Затяните каждый провод на клемме соединителя с нормативным крутящим моментом. Крутящий момент затяжки для кабельного уплотнения составляет 2,5 ±0,1 Н·м для обеспечения герметичности по стандарту IP65.
 Каталожный номер углового соединителя по ISO 15217/DIN 43650, форма С: **88130216** (диам. кабельного ввода 4–6 мм)
 Каталожный номер углового соединителя по DIN 43650, 9,4 мм, промышленный монтаж B: **88130202** (диам. кабельного ввода 4–6 мм)
 • Соединитель 1182 (+24 В пост. тока) с защитой IP67 (при правильном монтаже).
 - Каталожный номер монтируемого углового соединителя: **88130221**
 - Каталожный номер монтируемого переходного соединителя: **88130222**

Поставляемый с каждым изделием соединитель ДОЛЖЕН быть смонтирован. Если разъем не был включен в комплект электромагнитного клапана, пользователь должен установить разъем, сертифицированный по IP6X с учетом рабочего температурного диапазона соленоида. Любая иная сборка/установка приводит к аннулированию сертификации. Запрещается устанавливать или снимать соединитель под напряжением.

Работа: Прежде чем создавать давление в системе, проверьте электро-систему. Несколько раз подайте питание на катушку и прислушайтесь к металлическому «щелчку», указывающему на рабочее состояние электромагнитного управляющего устройства. Работающий с компонентами персонал должен быть знаком с электрическим управлением, например, резервированием и обратной связью (электронным управлением) в применимых случаях.

Использование: Катушки предназначены для постоянной работы, поэтому могут становиться горячими. Если электромагнитный клапан находится в легкодоступном месте, предусмотрите средства защиты для предотвращения случайного контакта с ним и возможных ожогов. Во избежание перегрева не допускайте эксплуатации электромагнитного клапана в ограниченном пространстве без достаточной вентиляции.

ПОДКЛЮЧЕНИЕ

- Подключите все порты, которые могут контактировать с жидкостями. Произведите монтаж в соответствии со схемой опорной монтажной подушки ISO 15218 (CNOMM размера 15). Убедитесь в размещении всех уплотнений на опорной монтажной подушке.
- Предварительно установите два винта M3 x 20 поочередно и равномерно с крутящим моментом затяжки 0,3/0,5 Н·м и затяните их с крутящим моментом 1 Н·м ^{40,2} (Е).
- Очистите каналы, подключаемые к компоненту.
- Обязательно соблюдайте направление потока жидкости.
- Используйте только предоставленные соединительные детали.
- Убедитесь в том, что никакие иррегулярные вещества не попадают в контур, особенно при выполнении герметичных соединений.
- Ручная коррекция, обозначенная символом (H), дает возможность управлять клапаном при отсутствии электроэнергии.
- Обязательно соблюдайте разрешенный радиус изгиба для труб; не ограничивайте порты жидкостной циркуляции.
- Трубы и соединительные элементы не должны оказывать усилия, крутящего момента или механического напряжения на изделие.
- Используйте соответствующие инструменты и размещайте инструменты для монтажно-сборочных работ как можно ближе к точке подключения.
- Обязательно соблюдайте рекомендуемый крутящий момент при затяжке трубных соединений.
- Соединения должны быть долговременными.

ОСТОРОЖНО

Несоблюдение номинального электрического диапазона катушки приведет к повреждению или преждевременному выходу катушки из строя. Также будет аннулирована ее сертификация для использования во взрывоопасной газовой или пылевой среде.

ПРЕДУПРЕЖДЕНИЕ: Несанкционированный персонал не допускается к разборке и снятию катушки или узла соединителя. Следите за тем, чтобы не повредить сопрягаемые поверхности при разборке или повторной сборке узла соединителя/катушки.
Неправильная сборка приведет к аннулированию сертификации.

РАБОТА

Для предотвращения риска получения травмы или повреждения имущества не прикасайтесь к катушке. Катушка может стать горячей при нормальных условиях эксплуатации. Если электромагнитный клапан находится в легкодоступном месте, установщик должен обеспечить защиту от случайного контакта.
 Для предотвращения опасности электростатического разряда очищайте поверхность катушки только влажной тканью. Не используйте растворители.

ОБСЛУЖИВАНИЕ

ОСТОРОЖНО: Перед техническим обслуживанием выключите электропитание. Установщик должен действовать в соответствии с Европейской директивой 1999/92/ЕС и сопутствующими стандартами. Комплекты запасных частей АТЕХ соответствуют. Электромагнитный клапан не подлежит разборке или регулировке. Не извлекайте катушку из пневматической части электромагнитного клапана.

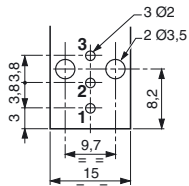
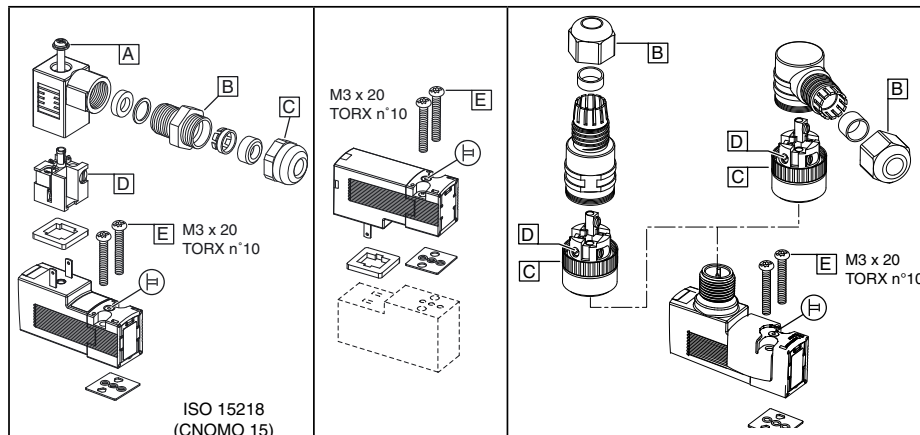
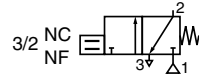
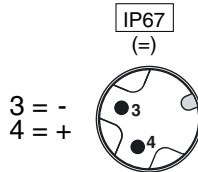
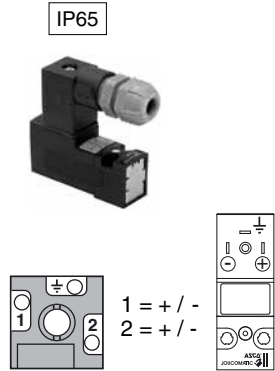
РАЗБОРКА/ПОВТОРНАЯ СБОРКА СОЕДИНИТЕЛЯ ЭЛЕКТРОМАГНИТНОГО КЛАПАНА:

Эта операция выполняется квалифицированным персоналом. Отвинтите и снимите соединитель. Повторная сборка осуществляется в порядке, обратном разборке (обязательно соблюдайте крутящий момент затяжки (А)). Электромагнитный клапан и узел, состоящий из уплотнения и соединителя, подлежат полной повторной сборке для последующей сертификации защиты IP65/IP67.

Неправильная сборка приведет к аннулированию сертификации. В случае замены деталей пользователем прослеживаемость конечного продукта не может быть гарантирована компанией ASCO Numatics и обеспечивается пользователем.

ASCO	CONNECTION	GB	RACCORDEMENT	FR	ANSCHLUSS	DE
	RACORDAJE	ES	COLLEGAMENTO	IT	AANSLUITING	NL
	ANSLUTNING	SE	TILKOBLING	NO	LIITÄNTÄ	FI
	FORBINDELSE	DK	LIGAÇÃO	PT	ΣΥΝΔΕΣΗ	GR
	PRÍPOJENÍ	CZ	PODŁĄCZENIE	PL	CSATLAKOZTATÁS	HU
	ПОДКЛЮЧЕНИЕ	RU	-	-	-	-

SERIES 302 ia



Rep.	N.m	Inch.Pounds
A	0,5 ±0,2	4 ±1
B	1 ±0,1	8 ±0,8
C	0,5 ±0,1	4 ±0,8
D	0,25	2,2
E	1 ±0,2	8 ±1

ASCO	CONNECTION	GB	RACCORDEMENT	FR	ANSCHLUSS	DE
	RACORDAJE	ES	COLLEGAMENTO	IT	AANSLUITING	NL
	ANSLUTNING	SE	TILKOBLING	NO	LIITÄNTÄ	FI
	FORBINDELSE	DK	LIGAÇÃO	PT	ΣΥΝΔΕΣΗ	GR
	PRÍPOJENÍ	CZ	PODŁĄCZENIE	PL	CSATLAKOZTATÁS	HU
	ПОДКЛЮЧЕНИЕ	RU	-	-	-	-

----- **0,5 W** -----

INTERFACES		302 Ex ia				
manufac-turer	module type	12 V with LED	24 V with LED	12 V w/o LED	24 V w/o LED	
ABB	DO910S	x	x	x	x	
AP3	NAEV30-DO2C-A230-0	x	x	x		
	NAEV30-DO2C-A115-0	x	x	x		
	NAEV30-DO2H-C024-0	x	x	x		
	NAEV30-DO4H-C024-0	x	x	x		
	NAEV30-DI2-DO1C-A230-0	x	x	x		
	NAEV30-DI2-DO1C-A115-0	x	x	x		
Bartec	07-7331-2105/1000	x		x		
	07-7331-2301/1100	x		x		
CEAG	LB-2101			x		
	LB-2103			x		
	LB-2105	x		x	x	
	LB-2112	x	x	x	x	
	FB-2201			x		
	FB-2203	x		x		
G.M. international	D1040Q-2	x		x	x	
	D1042Q-2	x	x	x	x	
	D1043Q-2	x		x		
	815-DO-04	x	x	x	x	
MTL	4021S	x		x		
Pepperl + Fuchs	KFD2-SD-Ex1.17	x		x		
	KFD2-SD-Ex1.36	x	x	x	x	
	KFD2-SD-Ex1.48	x ⁽¹⁾		x ⁽¹⁾		
	KFD2-SD-Ex1.48.90A	x ⁽¹⁾		x ⁽¹⁾		
	KFD2-SL-Ex1.48	x ⁽¹⁾		x ⁽¹⁾		
	KFD2-SL-Ex1.48.90A	x ⁽¹⁾		x ⁽¹⁾		
	KFD2-SL2-Ex1	x ⁽¹⁾	x	x ⁽¹⁾	x	
	KFD2-SL2-Ex1.B	x ⁽¹⁾	x	x ⁽¹⁾	x	
	KFD2-SL2-Ex1.LK	x ⁽¹⁾	x	x ⁽¹⁾	x	
	KFD2-SL2-Ex2	x ⁽¹⁾	x	x ⁽¹⁾	x	
	KFD2-SL2-Ex2.B	x ⁽¹⁾	x	x ⁽¹⁾	x	
	KFD2-VD-Ex1.1560	x		x		
	KFD2-VD-Ex1.1835	x	x	x	x	
Stahl	9475/12-04-11	x		x		
	9475/12-04-21	x	x	x	x	
	9475/12-04-31	x		x		
Turck	MK72-S01-Ex	x		x		
	MK72-S09-Ex0/24VDC	x		x		
	MK72-S10-Ex0/24VDC	x		x		
	MC72-41Ex-T/24VDC	x		x		
Siemens	MC72-42Ex-T/24VDC		x		x	
	MC72-44Ex-T	x		x		
	MC72-43Ex-T		x		x	
Siemens	ET2001S double	x	x	x	x	
	6ES7132-7RD20-OAB0	x		x		

ZENER BARRIERS		302 Ex ia				
manufac-turer	module type	12 V with LED	24 V with LED	12 V w/o LED	24 V w/o LED	
CEAG	SB-3722	x		x		
	SB-0722			x		
	SB-2420	x	x	x	x	
	SB-3729	x	x	x	x	
	SB-3728	x	x	x	x	
	SB-0728	x		x	x	
MTL	MTL 722	x		x		
	MTL 728	x	x	x	x	
	MTL 728P	x	x	x	x	
Pepperl + Fuchs	MTL 779	x	x	x	x	
	Z728	x	x	x	x	
Stahl	Z728.H	x	x	x	x	
	Z728.CL	x	x	x	x	
	9001/01-199-150-101	x		x		
	9001/01-280-075-101			x	x	
	9001/01-280-085-101	x	x	x	x	
EMERSON	9001/01-280-100-101	x	x	x	x	
	9001/01-280-110-101	x	x	x	x	
EMERSON	DELTA V		x		x	

Not compatible ⁽¹⁾ Compatible with 24 V DC

ASCO®	CONNECTION	GB	RACCORDAMENTO	FR	ANSCHLUSS	DE
	RACORDAJE	ES	COLLEGAMENTO	IT	AANSLUITING	NL
	ANSLUTNING	SE	TILKOBLING	NO	LIITÄNTÄ	FI
	FORBINDELSE	DK	LIGAÇÃO	PT	ΣΥΝΔΕΣΗ	GR
	PRÍPOJENÍ	CZ	PODŁĄCZENIE	PL	CSATLAKOZTATÁS	HU
	ПОДКЛЮЧЕНИЕ	RU	-	-	-	-

----- 0,25 W -----

INTERFACES		302 Ex ia
manufacturer	module type	24 V with LED
ABB	DO910S	x
Bartec	07-7331-2105/1000	x
	07-7331-2301/1000	x
	07-7331-2301/1100	x
	07-7331-2301/1100	x
EMERSON (EPM)	DELTA V	x
MTL	815-DO-04	x
Pepperl + Fuchs	FB 2201	x
	FB 2202	x
	FB 2203	x
	FB 2204	x
	FB 2205	x
	FB 2212	x
	FB 6210B	x
	FB 6211B	x
	FB 6212B	x
	FB 6213B	x
	FB 6214B	x
FB 6215B	x	
Siemens	6E S7132-5SB00-OAB0	x
	6E S7132-5SB00-OAB0 2 way	x
	6E S7132-7RD00-OAB0	x
	6E S7132-7RD10-OAB0	x
	6E S7132-7RD10-OAB0 2 way	x
	6ES7132-7RD20-OAB0	x
	6E S7132-7RD20-OAB0 2 way	x
Stahl	9475/12-04-11	x
	9475/12-04-21	x
	9475/12-04-31	x
	9475/12-08-51	x
	9475/12-08-61	x
Turck	DO040Ex	x