

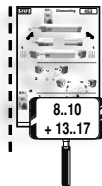
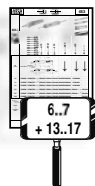
<b>ASCA</b> numatics	INSTALLATION AND MAINTENANCE INSTRUCTIONS	GB
	INSTRUCTIONS D'INSTALLATION ET DE MAINTENANCE	FR
	INBETRIEBNAHME - UND WARTUNGSANLEITUNG	DE
	INSTRUCCIONES DE PUESTA EN MARCHA Y MANTENIMIENTO	ES
	ISTRUZIONI DI MESSA IN SERVIZIO E MANUTENZIONE	IT
	ALGEMENE INSTALLATIE- EN ONDERHOUDSINSTRUCTIES	NL
	INSTALLASJONS- OG VEDLIKEHOLDSINSTRUKSER	NO
	INSTALLATIONS- OCH UNDERHÅLLSINSTRUKTIONER	SE
	ASENNUS - JA HUOLTO-OHJEET	FI
	INSTALLATIONS - OG VEDLIGEHOIDSANVISNINGER	DK
	INSTRUÇÕES DE INSTALAÇÃO E MANUTENÇÃO	PT
	ΟΔΗΓΙΕΣ ΤΟΠΟΘΕΤΗΣΗΣ ΚΑΙ ΣΥΝΤΗΡΗΣΗΣ	GR
	POKRYNY PRO INSTALACI A ÚDRŽBU	CZ
INSTRUKCJA MONTAŻU I KONSERWACJI	PL	
TELEPÍTÉSI ÉS KARBANTARTÁSI ÚTMUTATÓ	HU	
Инструкция по установке и обслуживанию	RU	

### ISO 15552 cylinders

# 453

# 454

# 450



522807-001 / B  
Availability, design and specifications are subject to change without notice. All rights reserved.



### Temperatures

453  
454  
450

STORAGE CONDITIONS



(-40°C)



≤ +70°C

(+120°C = "HTP")

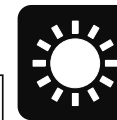
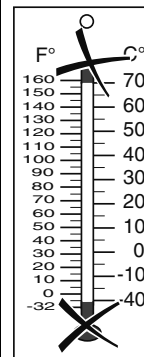


humidity relative

≤ 95%



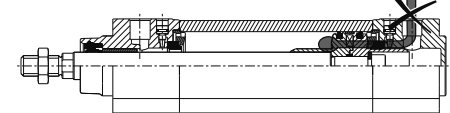
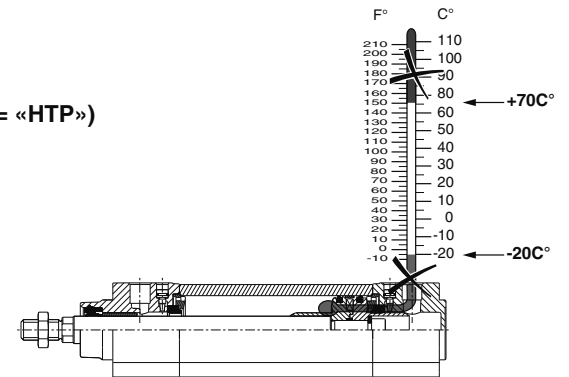
OPERATING CONDITIONS



+70°C  
(+120°C = «HTP»)



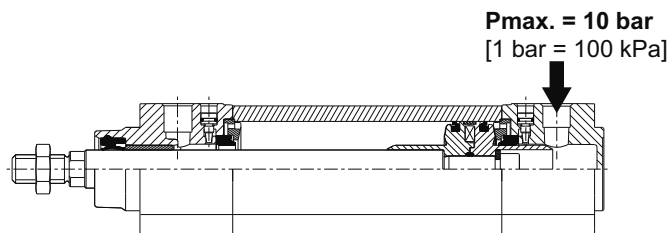
-20°C



## Characteristics

453  
454  
450

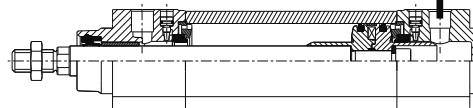
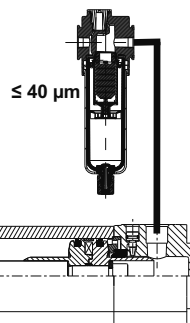
### OPERATING PRESSURE



ISO 8573-1 (2010) ]: Level 7.4.4



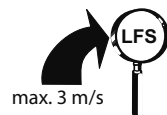
AIR  
NEUTRAL GASES



### AIR QUALITY

### LIFE CYCLE

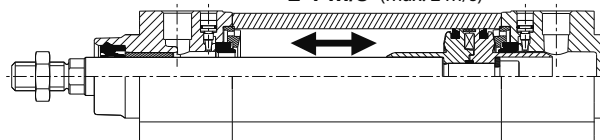
LFS  
453  
450  
454



max. 3 m/s

Long Life

$\leq 1 \text{ m/s}$  (max. 2 m/s)



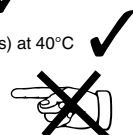
### LUBRICATING OIL

Non-detergent oil without aggressive additives ✓

VG 32 class (ISO 3448) ✓

Viscosity 29 to 35 cSt ( $\text{mm}^2/\text{s}$ ) at 40°C ✓

Silicone-base lubricants ✗



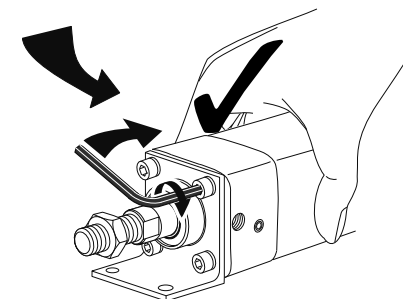
## Characteristics

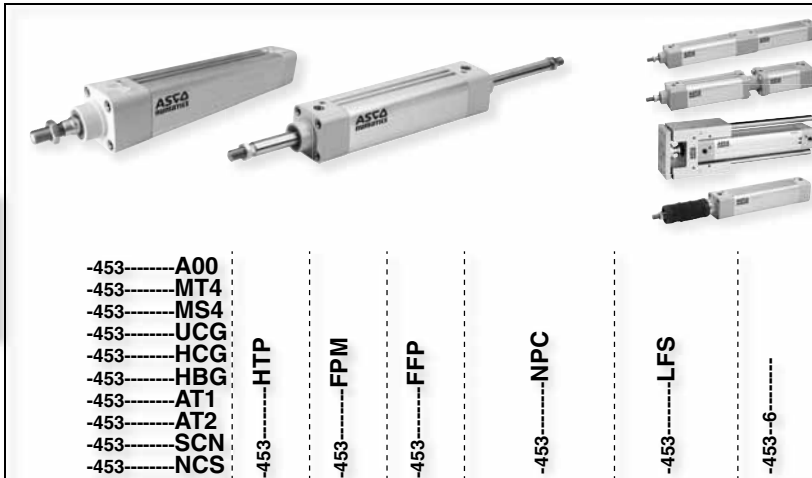
453  
454  
450



Ø (mm)	N.m	Inch.pounds
32 - 40	7	31,74
50 - 63	13,5	119,07
80 - 100	27,5	242,55
125	60	529,2
160 - 200	100	882
250 - 320	300	2646

### MOUNTINGS



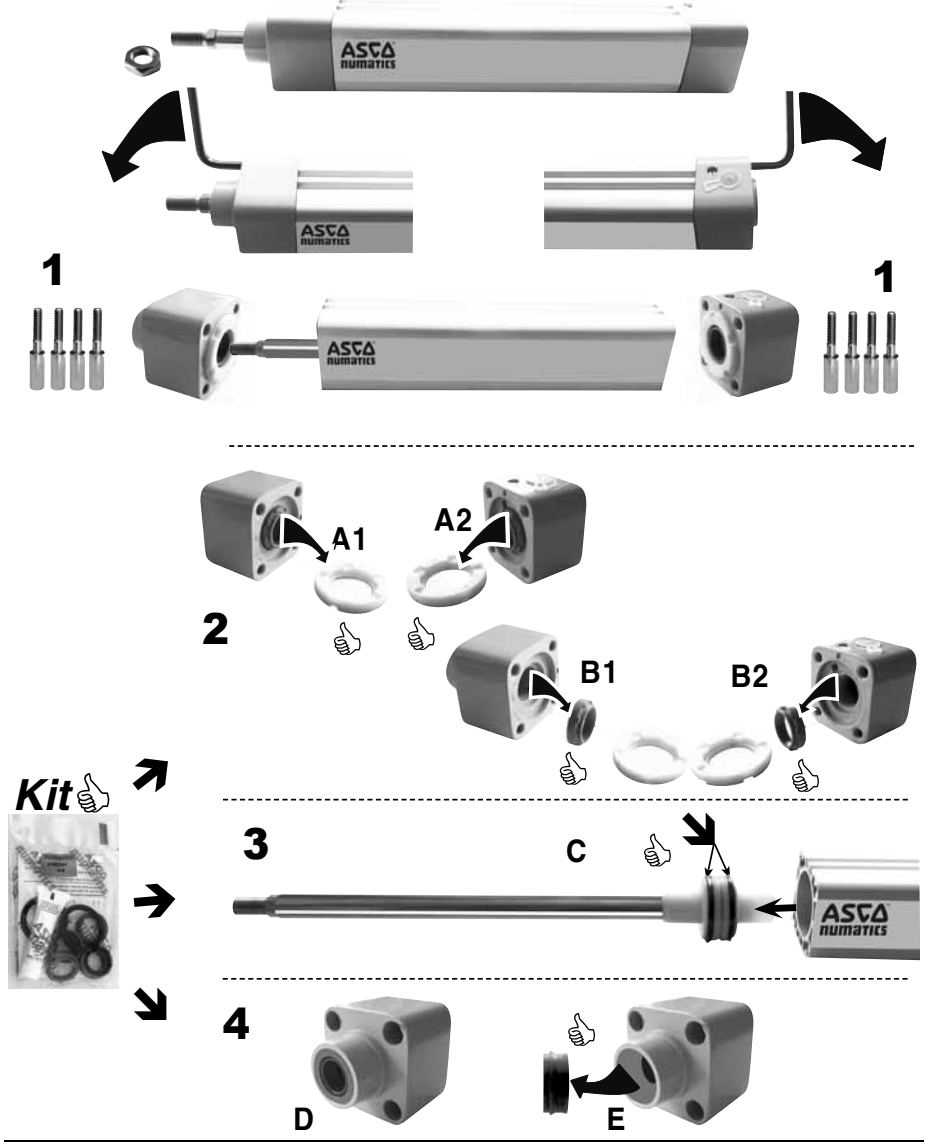
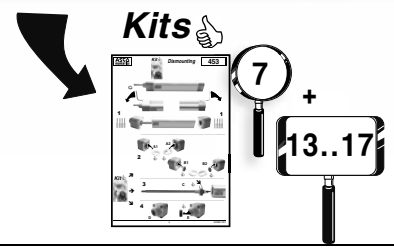


- 453-----A00
  - 453-----MT4
  - 453-----MS4
  - 453-----UCG
  - 453-----HCG
  - 453-----HBG
  - 453-----AT1
  - 453-----AT2
  - 453-----SCN
  - 453-----NCS
- |              |              |              |              |              |            |
|--------------|--------------|--------------|--------------|--------------|------------|
| -453-----HTP | -453-----FPM | -453-----FFP | -453-----NPC | -453-----LFS | -453-----6 |
|--------------|--------------|--------------|--------------|--------------|------------|

Ø (mm)									
32	97802343	97802736	.... <sup>(2)</sup>	97802229	97802238	97802247	M454A3RA0000A00	97802060	-
40	97802344	97802737	.... <sup>(2)</sup>	97802230	97802239	97802248	M454A4RA0000A00	97802061	-
50	97802345	97802738	.... <sup>(2)</sup>	97802231	97802240	97802249	M454A5RA0000A00	97802062	-
63	97802346	97802739	.... <sup>(2)</sup>	97802232	97802241	97802249	M454A5RA0000A00	97802887	.... <sup>(2)</sup> 97802333
80	97802347	97802740	.... <sup>(2)</sup>	97802233	97802242	97802250	M454A8RA0000A00	97802888	.... <sup>(2)</sup> 97802334
100	97802259	97802741	.... <sup>(2)</sup>	97802234	97802243	97802250	M454A8RA0000A00	-	97802335

*grease h* (11 cm³) = 97802100

ROD  
+  
PISTON UNIT <sup>(2)</sup> Specify stroke length (in mm).





454



-454-----A00/SCN/AT1/AT2/LSR/LSS

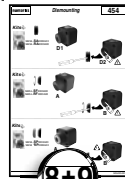
15-DIGIT PRODUCT CODE

M 454 A    -    -    - 0000 A00

Ø (mm)  
 3 = 32  
 4 = 40  
 5 = 50  
 6 = 63  
 8 = 80  
 1 = 100

S R S R S R  
 A A F F P P

Kits



8+9

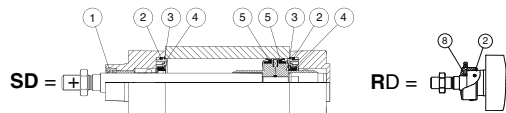


grease (11 cm³) = 97802100



32-40	P4994395723N001
50-63	P4994395735N001
80-100	P4994395748N001

Kits



Ø (mm)	
80	P4995026728N001
100	P4995025441N001
125 (Series 450)	P499502668PN001
160 (Series 450)	P499516338QN001
200 (Series 450)	P499516339RN001

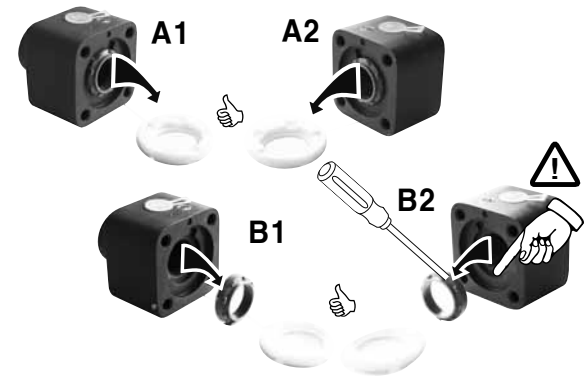


# Dismounting

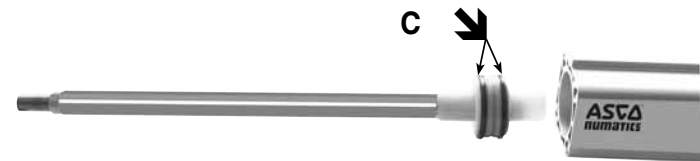
454



Kits



C



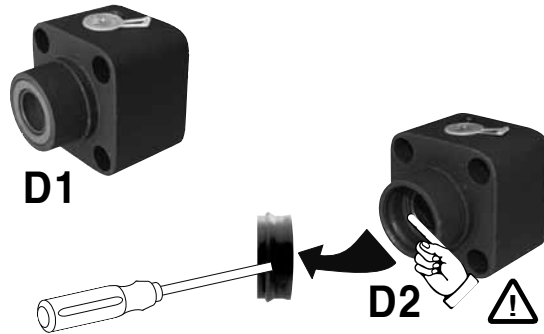
# Dismounting

**454**

**Kits**



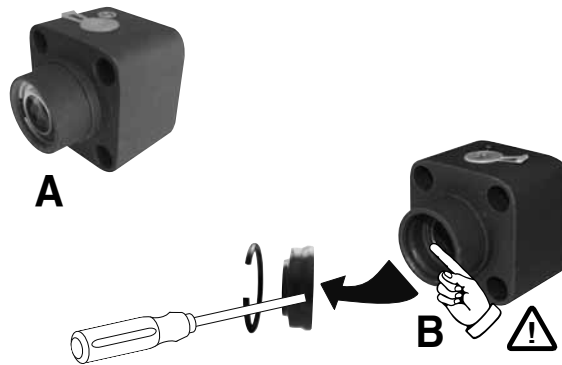
M454--SA0000A00  
M454--RA0000A00



**Kits**



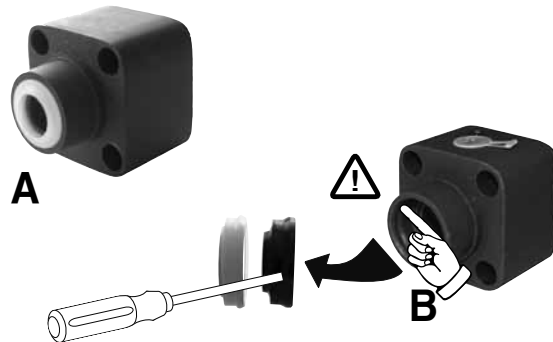
M454--SF0000A00  
M454--RF0000A00



**Kits**



M454--SP0000A00  
M454--RP0000A00



**450**

**Kit**

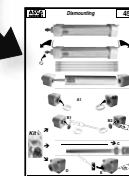


-450-----A00					
-450-----FMT					
-450-----FST					
-450-----UCG					
-450-----HCG					
-450-----HBG					
-450-----AT1					
-450-----AT2					
-450-----NCS					
-450-----TAN					
	-450-----HTP	-450-----FPM	-450-----FFP	-450-----NPC	-450-----LFS
					-450-6

Ø (mm)	1 + 2 + 3 + 4 + <i>grease!</i>								
32	97802343	97802736	... <sup>(2)</sup>	97802229	97802238	97802247	M454A3RA0000A00	97802060	-
40	97802344	97802737	... <sup>(2)</sup>	97802230	97802239	97802248	M454A4RA0000A00	97802061	-
50	97802345	97802738	... <sup>(2)</sup>	97802231	97802240	97802249	M454A5RA0000A00	97802062	-
63	97802346	97802739	... <sup>(2)</sup>	97802232	97802241	97802249	M454A5RA0000A00	97802887	97802333
80	97802347	97802740	... <sup>(2)</sup>	97802233	97802242	97802250	M454A8RA0000A00	97802888	97802334
100	97802259	97802741	... <sup>(2)</sup>	97802234	97802243	97802250	M454A8RA0000A00	-	97802335
125	97802260	97802742	... <sup>(2)</sup>	97802235	97802244	97802251	M400APRA0000A00	-	97802336
160	97802261	97802743	... <sup>(2)</sup>	97802236	97802245	97802252	M400AQRA0000A00	-	-
200	97802262	97802744	... <sup>(2)</sup>	97802237	97802246	97802252	M400AQRA0000A00	-	-

*grease!* (11 cm<sup>3</sup>) = **97802100**

ROD  
+  
PISTON  
UNIT <sup>(2)</sup> Specify stroke length (in mm).

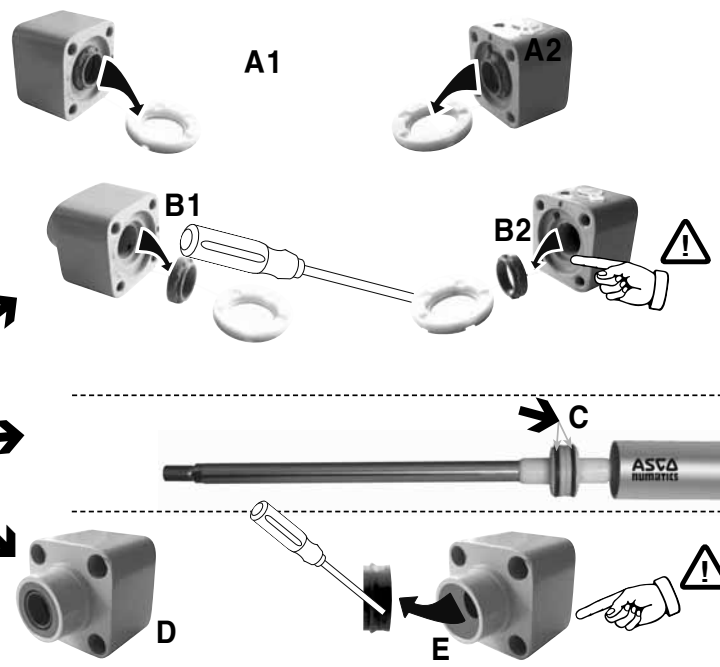


**12..17**



# Dismounting

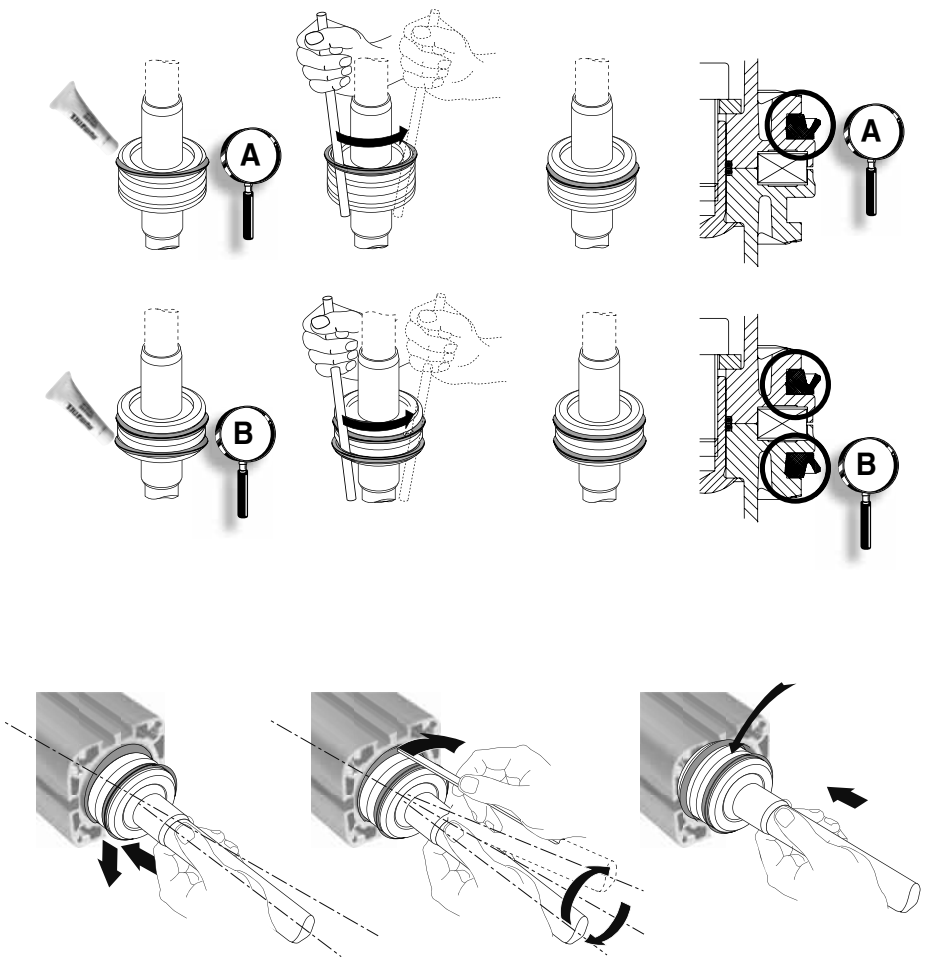
450



# Reassembly


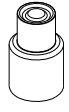
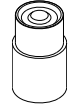
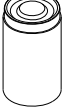


453-454-450

I

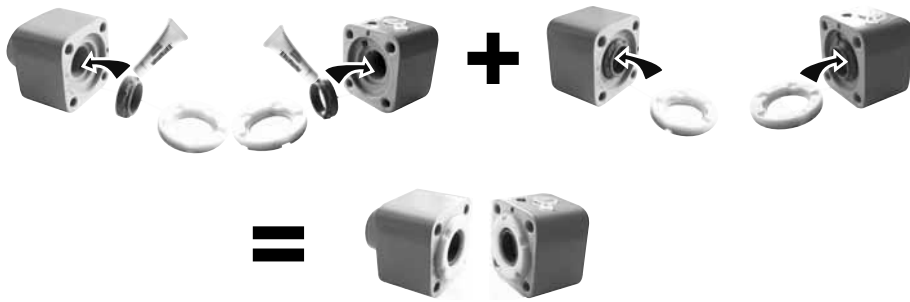


**Reassembly 453-454-450**

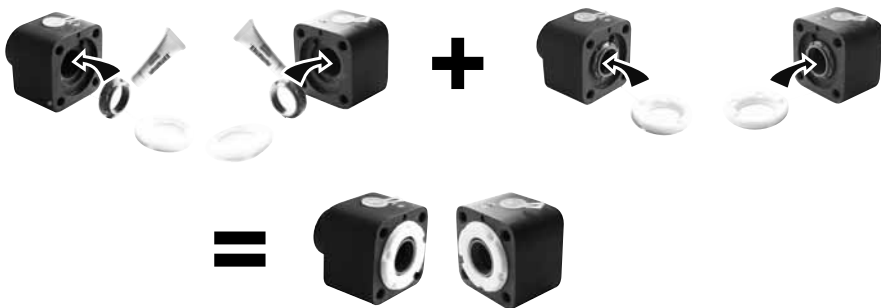
LFS (453-450) + 454

<b>Kit</b> 	<b>mounting tools</b>					 <b>II</b>
	<b>Scraper</b>	Ø32	Ø40	Ø50 Ø63	Ø80 Ø100	

**453 + 450**


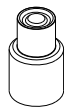
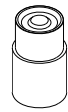
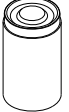




**454**

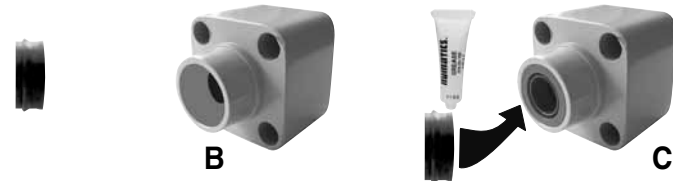


**Reassembly 453-454-450**

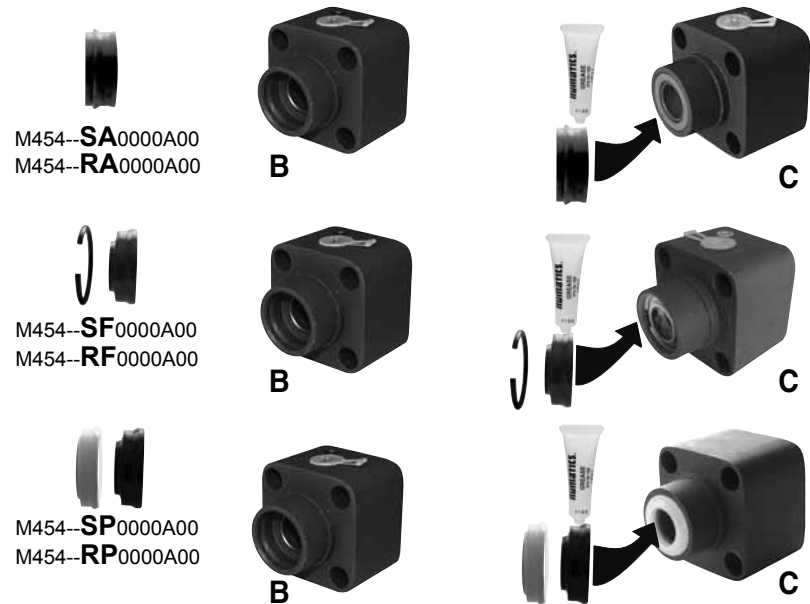
LFS (453-450) + 454

<b>Kit</b> 	<b>mounting tools</b>					 <b>II</b>
	<b>Scraper</b>	Ø32	Ø40	Ø50 Ø63	Ø80 Ø100	

**453 + 450**



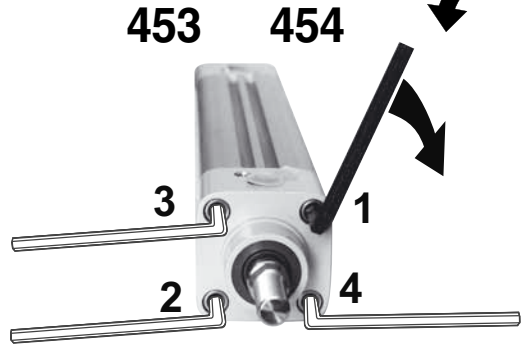
**454**



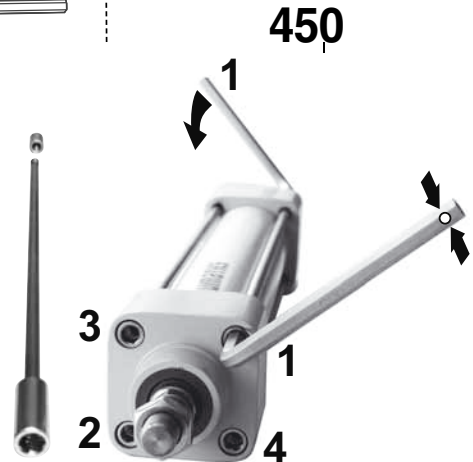


**Reassembly 453-454-450**

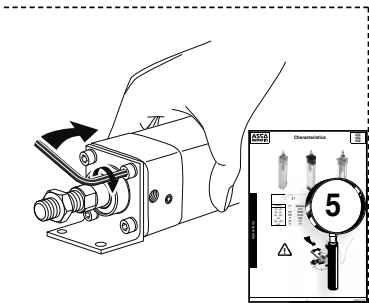
**IV**



453 - 454	$F$		
	Ø (mm)	N.m	Inch.pounds
	32 - 40	7	31,74
	50 - 63	13,5	119,07
80 - 100	27,5	242,55	



450	$F$			epoxy	
	Ø (mm)	N.m	Inch.pounds	N.m	Inch.pounds
	32	7	31.74	1,5	13.23
	40	7	31.74	3	26.46
50	13,5	119.07	4	35.28	
63	13,5	119.07	5	44.1	
80	27,5	242.55	8	70.56	
100	27,5	242.55			
125	60	529.2			
160 - 200	100	882			



**Reassembly 453-454-450**

**V**

