

<b>ASCA</b> numatics	INSTALLATION AND MAINTENANCE INSTRUCTIONS	GB
	INSTRUCTIONS D'INSTALLATION ET DE MAINTENANCE	FR
	INBETRIEBNAHME - UND WARTUNGSANLEITUNG	DE
	INSTRUCCIONES DE PUESTA EN MARCHA Y MANTENIMIENTO	ES
	ISTRUZIONI DI MESSA IN SERVIZIO E MANUTENZIONE	IT
	ALGEMENE INSTALLATIE- EN ONDERHOUDSINSTRUCTIES	NL
	INSTALLASJONS- OG VEDLIKEHOLDSINSTRUKSER	NO
	INSTALLATIONS- OCH UNDERHÅLLSINSTRUKTIONER	SE
	ASENNUS - JA HUOLTO-OHJEET	FI
	INSTALLATIONS - OG VEDLIGEHOLDSANVISNINGER	DK
	INSTRUÇÕES DE INSTALAÇÃO E MANUTENÇÃO	PT
	ΟΔΗΓΙΕΣ ΤΟΠΟΘΕΤΗΣΗΣ ΚΑΙ ΣΥΝΤΗΡΗΣΗΣ	GR
	POKRYNY PRO INSTALACI A ÚDRŽBU	CZ
INSTRUKCJA MONTAŻU I KONSERWACJI	PL	
TELEPÍTÉSI ÉS KARBANTARTÁSI ÚTMUTATÓ	HU	
Инструкция по установке и обслуживанию	RU	

### ISO 15552 cylinders

# 453



# 454



# 450



522807-001 / B  
Availability, design and specifications are subject to change without notice. All rights reserved.



### Temperatures

453  
454  
450

STORAGE CONDITIONS



(-40°C)



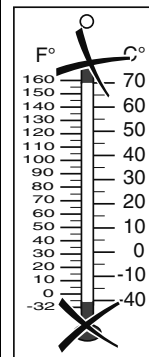
≤ +70°C  
(+120°C = "HTP")



humidity relative  
≤ 95%



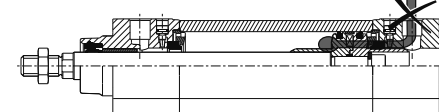
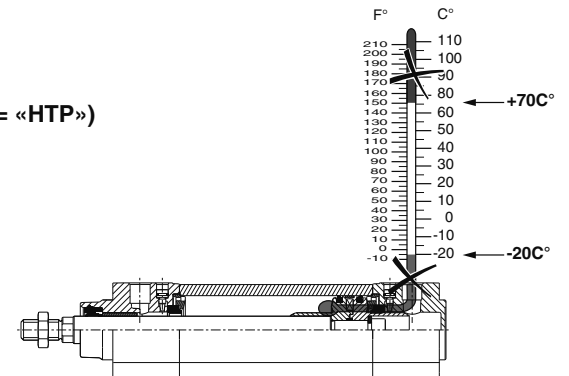
OPERATING CONDITIONS



+70°C  
(+120°C = «HTP»)



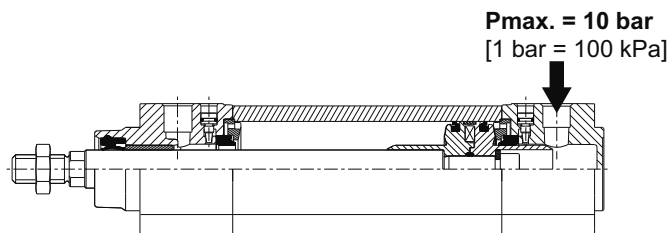
-20°C



## Characteristics

453  
454  
450

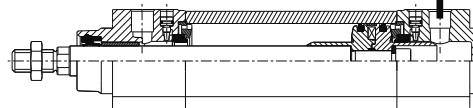
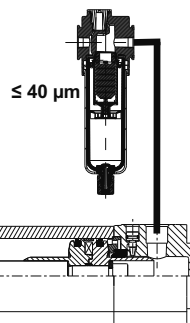
### OPERATING PRESSURE



ISO 8573-1 (2010) ]: Level 7.4.4



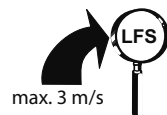
AIR  
NEUTRAL GASES



### AIR QUALITY

### LIFE CYCLE

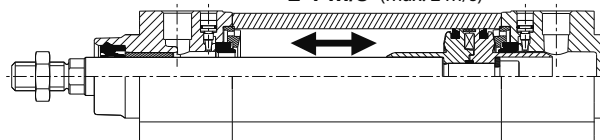
LFS  
453  
450  
~~454~~



max. 3 m/s

Long Life

$\leq 1 \text{ m/s}$  (max. 2 m/s)



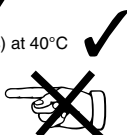
### LUBRICATING OIL

Non-detergent oil without aggressive additives ✓

VG 32 class (ISO 3448) ✓

Viscosity 29 to 35 cSt ( $\text{mm}^2/\text{s}$ ) at 40°C ✓

Silicone-base lubricants ✗



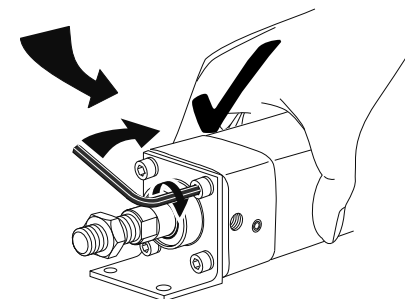
## Characteristics

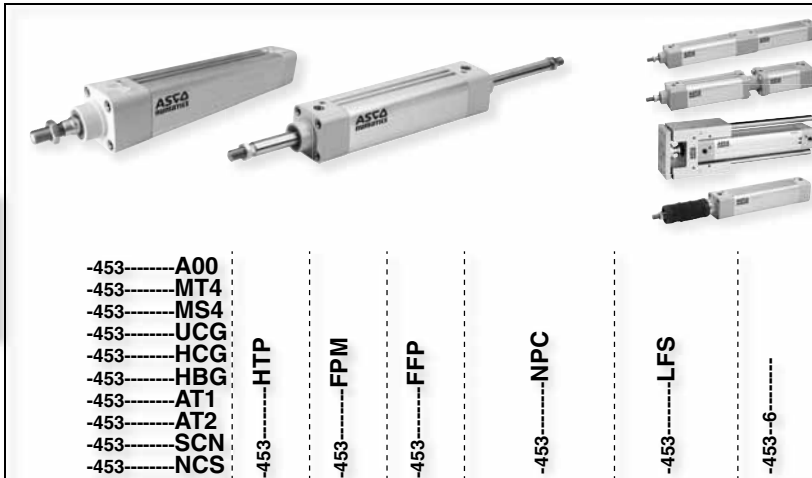
453  
454  
450



Ø (mm)	N.m	Inch.pounds
32 - 40	7	31,74
50 - 63	13,5	119,07
80 - 100	27,5	242,55
125	60	529,2
160 - 200	100	882
250 - 320	300	2646

### MOUNTINGS



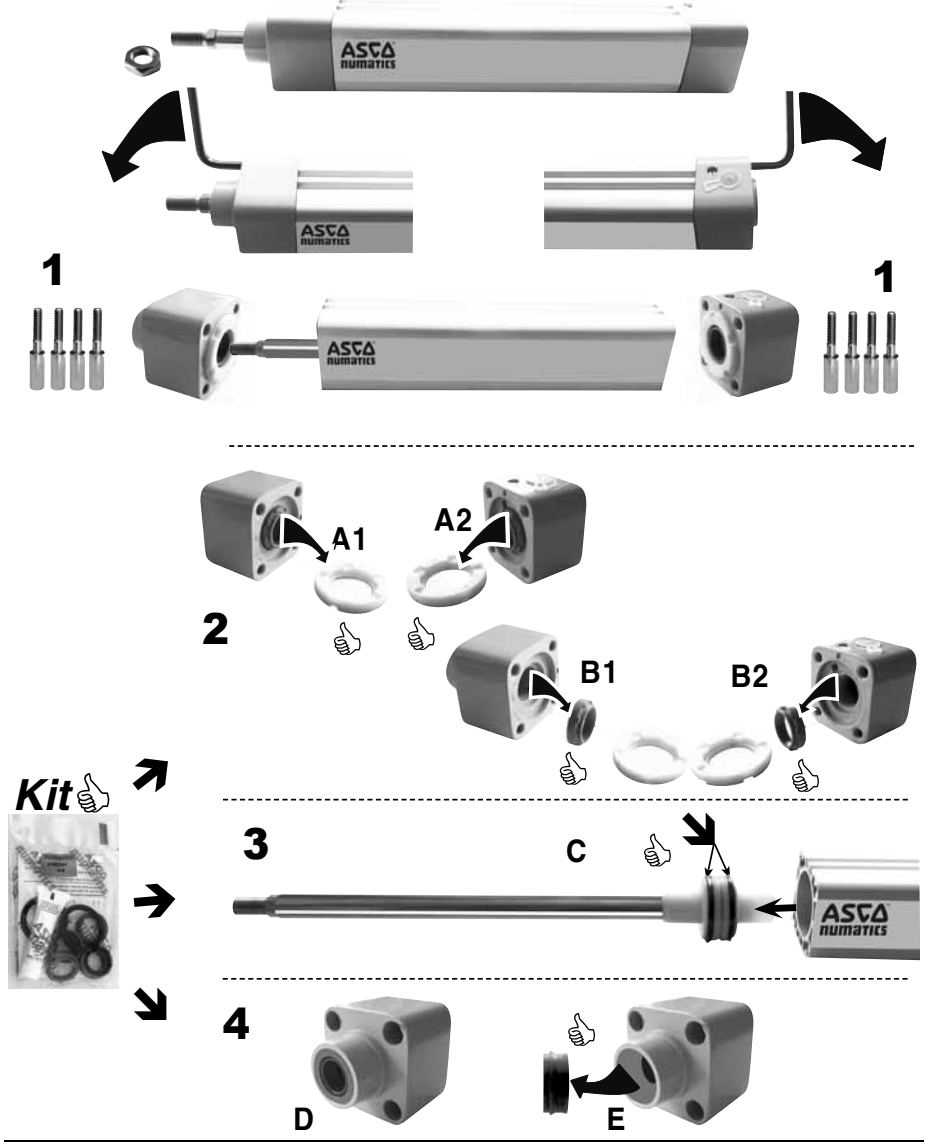
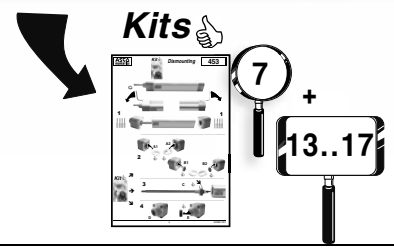


- 453-----A00
  - 453-----MT4
  - 453-----MS4
  - 453-----UCG
  - 453-----HCG
  - 453-----HBG
  - 453-----AT1
  - 453-----AT2
  - 453-----SCN
  - 453-----NCS
- |              |              |              |              |              |            |
|--------------|--------------|--------------|--------------|--------------|------------|
| -453-----HTP | -453-----FPM | -453-----FFP | -453-----NPC | -453-----LFS | -453-----6 |
|--------------|--------------|--------------|--------------|--------------|------------|

Ø (mm)									
32	97802343	97802736	.... <sup>(2)</sup>	97802229	97802238	97802247	M454A3RA0000A00	97802060	-
40	97802344	97802737	.... <sup>(2)</sup>	97802230	97802239	97802248	M454A4RA0000A00	97802061	-
50	97802345	97802738	.... <sup>(2)</sup>	97802231	97802240	97802249	M454A5RA0000A00	97802062	-
63	97802346	97802739	.... <sup>(2)</sup>	97802232	97802241	97802249	M454A5RA0000A00	97802887	.... <sup>(2)</sup> 97802333
80	97802347	97802740	.... <sup>(2)</sup>	97802233	97802242	97802250	M454A8RA0000A00	97802888	.... <sup>(2)</sup> 97802334
100	97802259	97802741	.... <sup>(2)</sup>	97802234	97802243	97802250	M454A8RA0000A00	-	97802335

*grease h* (11 cm³) = 97802100

ROD  
+  
PISTON  
UNIT <sup>(2)</sup> Specify stroke length (in mm).





454



-454-----A00/SCN/AT1/AT2/LSR/LSS

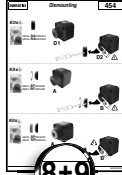
15-DIGIT PRODUCT CODE

M 454 A    -    -    - 0000 A00

Ø (mm)  
 3 = 32  
 4 = 40  
 5 = 50  
 6 = 63  
 8 = 80  
 1 = 100

S R S R S R  
 A A F F P P

Kits

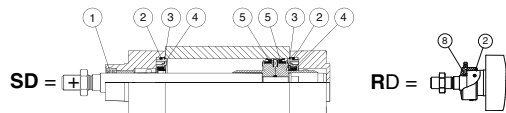


grease (11 cm³) = 97802100



32-40	P4994395723N001
50-63	P4994395735N001
80-100	P4994395748N001

Kits



Ø (mm)	
80	P4995026728N001
100	P4995025441N001
125 (Series 450)	P499502668PN001
160 (Series 450)	P499516338QN001
200 (Series 450)	P499516339RN001

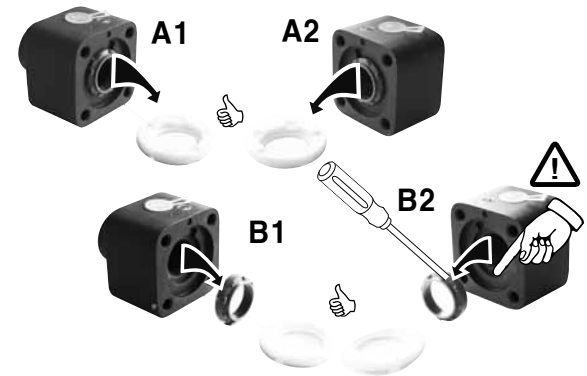


# Dismounting

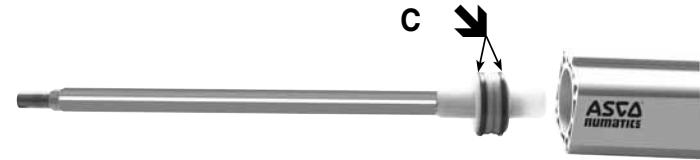
454



Kits



C



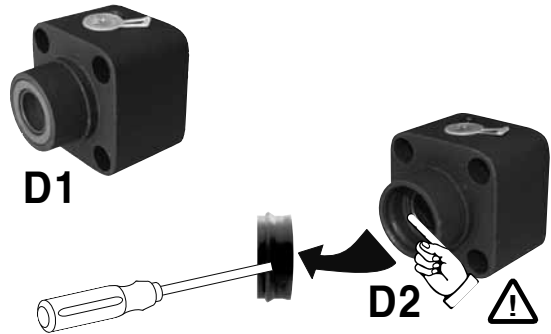
# Dismounting

**454**

**Kits**



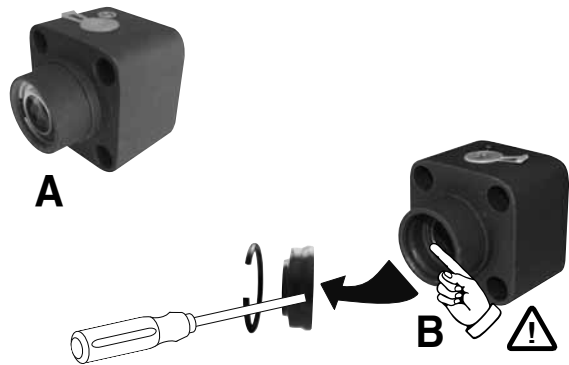
M454--SA0000A00  
M454--RA0000A00



**Kits**



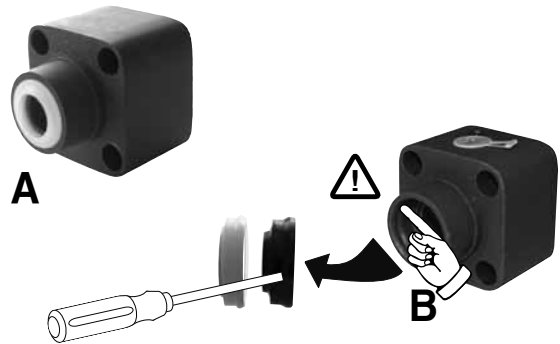
M454--SF0000A00  
M454--RF0000A00



**Kits**



M454--SP0000A00  
M454--RP0000A00



**450**

**Kit**

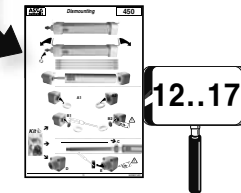


- |              |              |              |              |              |              |
|--------------|--------------|--------------|--------------|--------------|--------------|
| -450-----A00 |              |              |              |              |              |
| -450-----FMT |              |              |              |              |              |
| -450-----FST |              |              |              |              |              |
| -450-----UCG |              |              |              |              |              |
| -450-----HCG |              |              |              |              |              |
| -450-----HBG |              |              |              |              |              |
| -450-----AT1 |              |              |              |              |              |
| -450-----AT2 |              |              |              |              |              |
| -450-----NCS |              |              |              |              |              |
| -450-----TAN |              |              |              |              |              |
|              | -450-----HTP | -450-----FPM | -450-----FFP | -450-----NPC | -450-----LFS |
|              |              |              |              |              | -450-6       |

Ø (mm)	1 + 2 + 3 + 4 + <i>grease!</i>					
	1		2		3	
32	97802343	97802736	97802229	97802238	97802247	M454A3RA0000A00
40	97802344	97802737	97802230	97802239	97802248	M454A4RA0000A00
50	97802345	97802738	97802231	97802240	97802249	M454A5RA0000A00
63	97802346	97802739	97802232	97802241	97802249	M454A5RA0000A00
80	97802347	97802740	97802233	97802242	97802250	M454A8RA0000A00
100	97802259	97802741	97802234	97802243	97802250	M454A8RA0000A00
125	97802260	97802742	97802235	97802244	97802251	M400APRA0000A00
160	97802261	97802743	97802236	97802245	97802252	M400AQRA0000A00
200	97802262	97802744	97802237	97802246	97802252	M400AQRA0000A00

*grease!* (11 cm³) = **97802100**

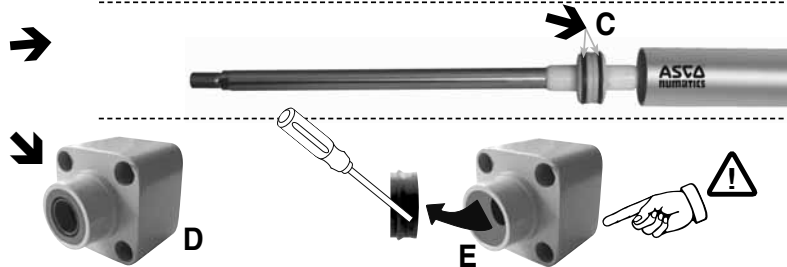
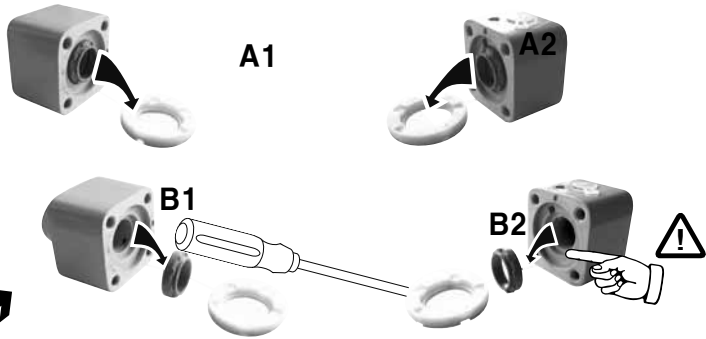
ROD + PISTON UNIT <sup>(2)</sup> Specify stroke length (in mm).





# Dismounting

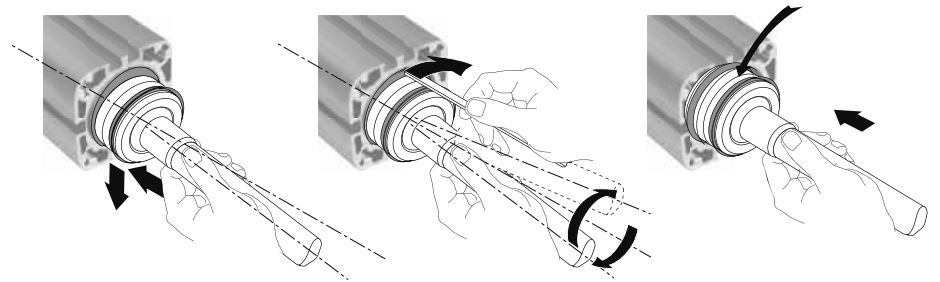
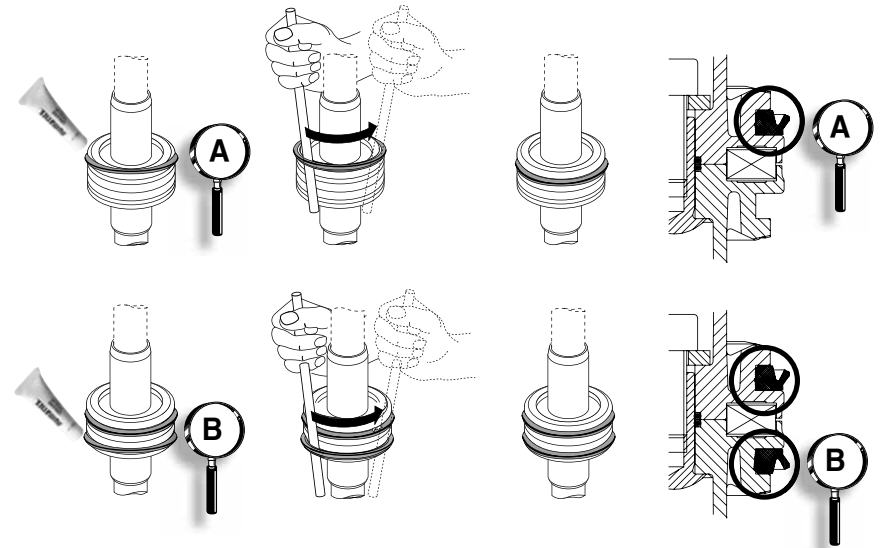
450



# Reassembly


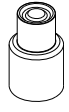
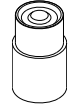
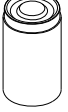


453-454-450

I

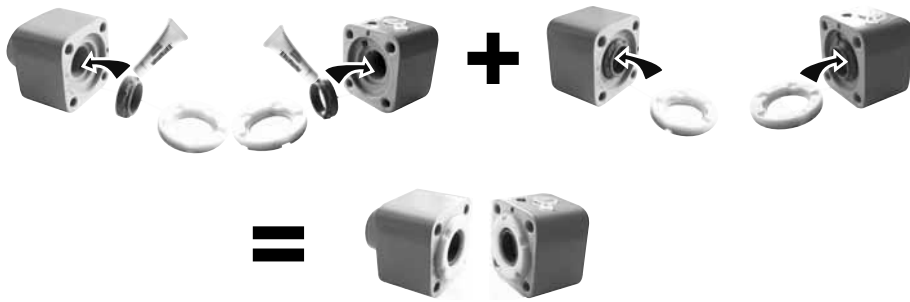


**Reassembly 453-454-450**

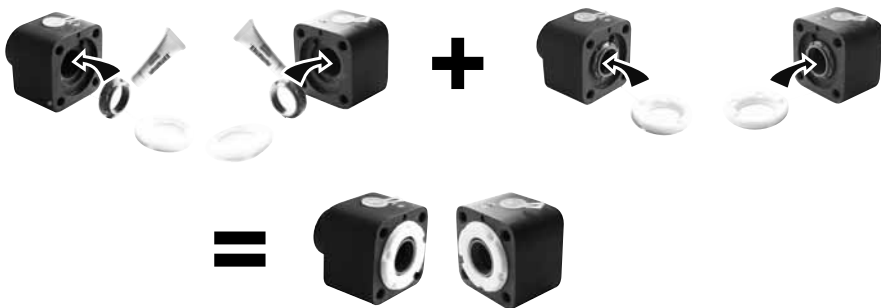
LFS (453-450) + 454

<b>Kit</b> 	<b>mounting tools</b>					 <b>II</b>
	<b>Scraper</b>	Ø32	Ø40	Ø50 Ø63	Ø80 Ø100	

**453 + 450**


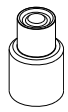
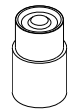
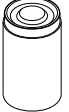




**454**

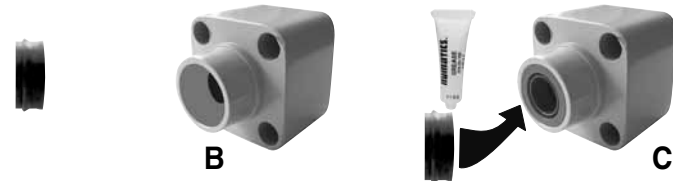


**Reassembly 453-454-450**

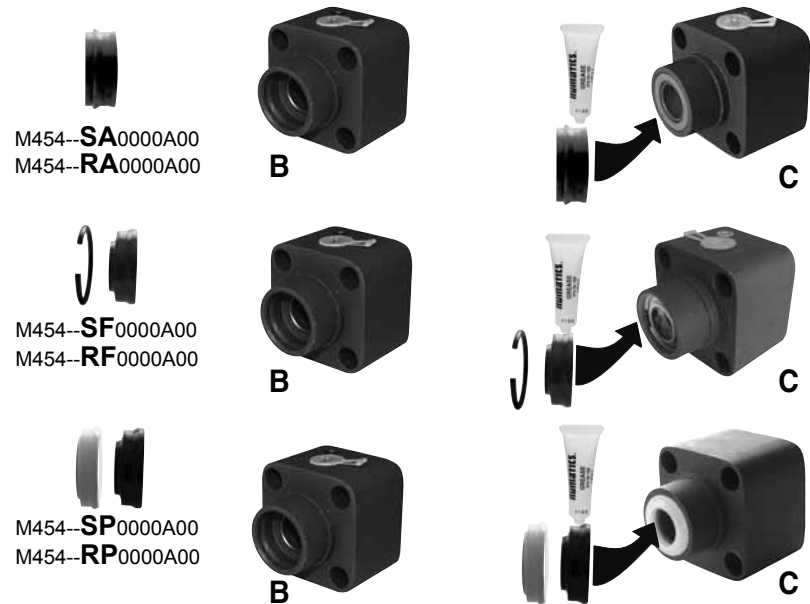
LFS (453-450) + 454

<b>Kit</b> 	<b>mounting tools</b>					 <b>II</b>
	<b>Scraper</b>	Ø32	Ø40	Ø50 Ø63	Ø80 Ø100	

**453 + 450**

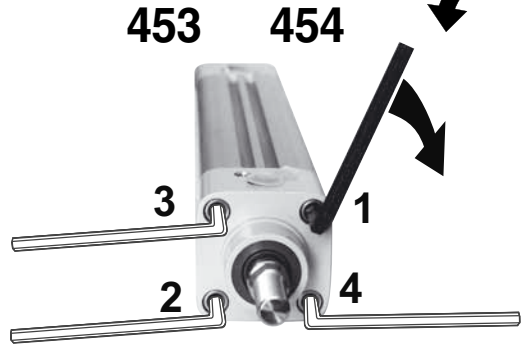


**454**

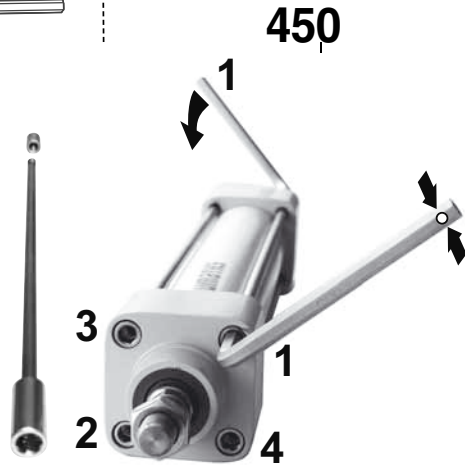




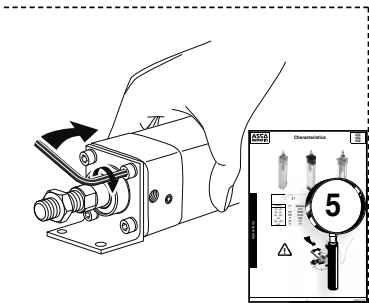
**Reassembly 453-454-450**



453 - 454	F		
	Ø (mm)	N.m	Inch.pounds
	32 - 40	7	31,74
	50 - 63	13,5	119,07
80 - 100	27,5	242,55	



450	F			epoxy	
	Ø (mm)	N.m	Inch.pounds	N.m	Inch.pounds
				1,5	13.23
	32	7	31.74	3	26.46
40	7	31.74	4	35.28	
50	13,5	119.07	5	44.1	
63	13,5	119.07	8	70.56	
80	27,5	242.55			
100	27,5	242.55			
125	60	529.2			
160 - 200	100	882			



**Reassembly 453-454-450**

