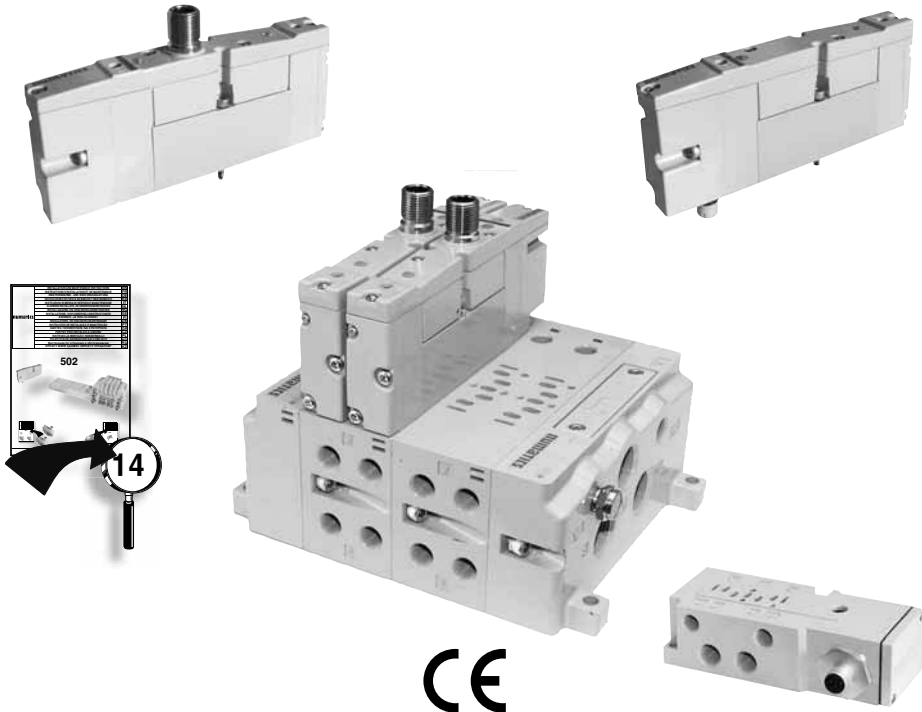


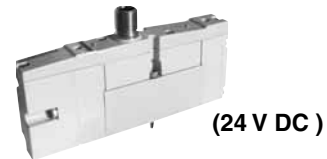
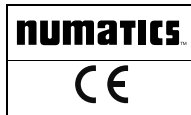
numatics	INSTALLATION AND MAINTENANCE INSTRUCTIONS	EN
	INSTRUCTIONS D'INSTALLATION ET DE MAINTENANCE	FR
	INBETRIEBNAHME - UND WARTUNGSANLEITUNG	DE
	INSTRUCCIONES DE PUESTA EN MARCHA Y MANTENIMIENTO	ES
	ISTRUZIONI DI MESSA IN SERVIZIO E MANUTENZIONE	IT
	ALGEMENE INSTALLATIE- EN ONDERHOUDSINSTRUCTIES	NL
	INSTALLASJONS- OG VEDLIKEHOLDSINSTRUKSER	NO
	INSTALLATIONS- OCH UNDERHÅLLSINSTRUKTIONER	SE
	ASENNUS - JA HUOLTO-OHJEET	FI
	INSTALLATIONS - OG VEDLIGEHOIDSANVISNINGER	DK
	INSTRUÇÕES DE INSTALAÇÃO E MANUTENÇÃO	PT
	ΟΔΗΓΙΕΣ ΤΟΠΟΘΕΤΗΣΗΣ ΚΑΙ ΣΥΝΤΗΡΗΣΗΣ	GR
	POKRYTY PRO INSTALACI A ÚDRŽBU	CZ
	INSTRUKCJA MONTAŻU I KONSERWACJI	PL
TELEPÍTÉSI ÉS KARBANTARTÁSI ÚTMUTATÓ	HU	
Инструкция по установке и обслуживанию	RU	
ΟΡΗΑΤΥ ЖӨНЕ ҚЫЗМЕТ КӨРСЕТУ НҰСҚАУЛАР	KZ	

502

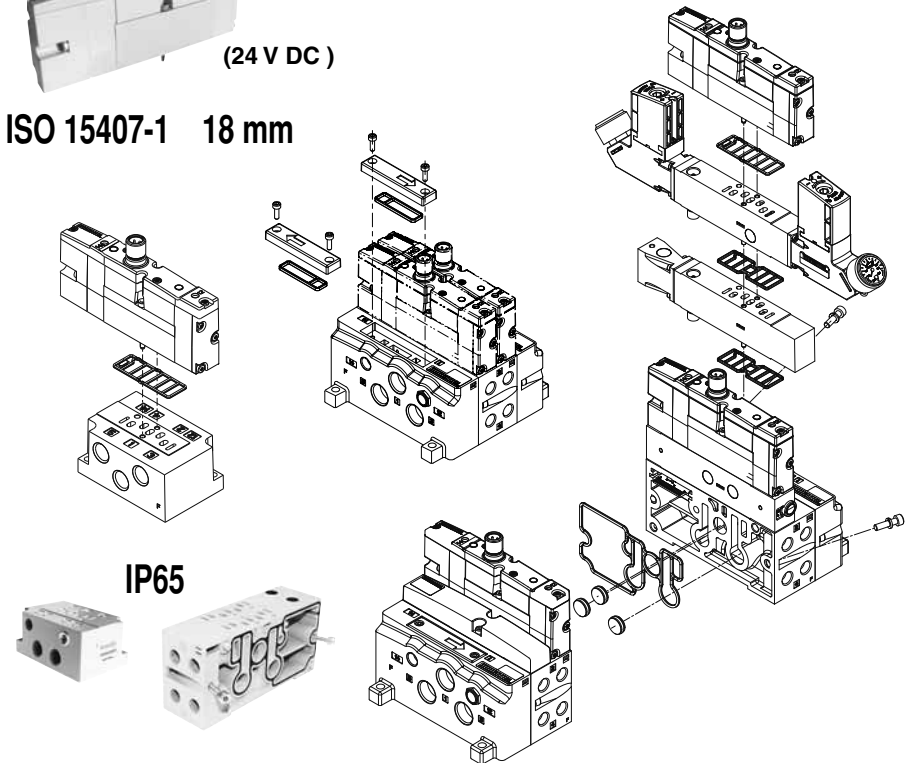


CE

527166-001 / C
Availability, design and specifications are subject to change without notice. All rights reserved.



ISO 15407-1 18 mm



IP65

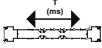




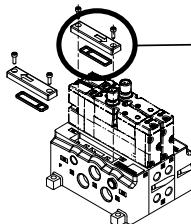
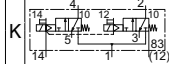
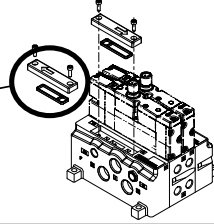
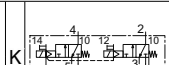
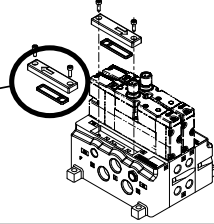
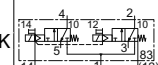
(24 V DC)

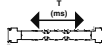

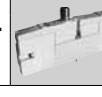


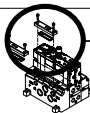
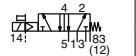
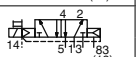
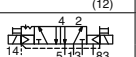
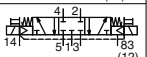
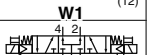
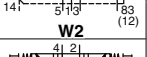
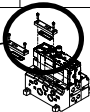

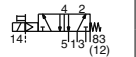

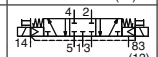

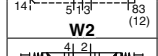
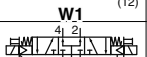
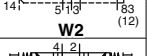
(24 V DC)


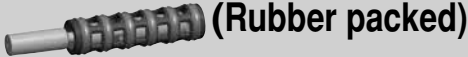



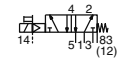


ISO 15407-2 18 mm

IP65



numatics		rated flow		 T (ms)	14 P _p (bar) (23°C)	1 P (bar)			
		 l/min	o / c			min.	max.	min.	max. (PS)
		6,3 bar		o / c	max.		min.	max. (PS)	
		l/min (ANR)							
(14)		1→2	2→3	(ms)	min.		min.	max. (PS)	
(12)		1→4	4→5						
 (Rubber packed)									
 <p>internal pilot supply</p>									
2 x 3/2 NC			500	440	36 / 15	-	-	4	10
 <p>external pilot supply</p>									
2 x 3/2 NC			500	440	36 / 15	4	10	-	2
							8	2	8

numatics		rated flow		 T (ms)	14 P _p (bar) (23°C)	1 P (bar)			
		 l/min	o / c			min.	max.	min.	max. (PS)
		6,3 bar		o / c	max.		min.	max. (PS)	
		l/min (ANR)							
(14)		1→2	2→3	(ms)	min.		min.	max. (PS)	
(12)		1→4	4→5						
 (Spool & Sleeve)									
 <p>internal pilot supply</p>									
5/2			410	390	16 / 49	-	-	2	10
			410	390	11 / 26	-	-	1,5	10
			410	390	16 / 16	-	-	2	10
5/3			360	350	12 / 12	-	-	1,5	10
			370	350	13 / 23	-	-	1,5	10
			340	350	23 / 13	-	-	1,5	10
 <p>external pilot supply</p>									
5/2			410	390	16 / 49	2	10	-	-0,95
			410	390	11 / 26	1,5	10	-	-0,95
			410	390	16 / 16	2	10	-	-0,95
5/3			360	350	12 / 12	1,5	10	-	-0,95
			370	350	13 / 23	1,5	10	-	-0,95
			340	350	23 / 13	1,5	10	-	-0,95

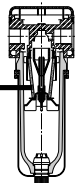
numatics		15-DIGIT PRODUCT CODE 		
		with impulse manual operator ISO 15407-1 18 mm	with maintained manual operator ISO 15407-1 18 mm	without manual operator ISO 15407-1 18 mm
(14)	(12)	 (Rubber packed)		
2 x 3/2 NC		R502A2BD0N83BF1 (R502A2BD0N82PF1) (b)	R502A2BD0N82MF1 (R502A2BD0N69PF1) (b)	R502A2BD0N82NF1 (R502A2BD0N69NF1) (b)
		 (Spool & Sleeve)		
5/2		R502A1B10N83BF1 (R502A1B10N82PF1) (b)	R502A1B10N82MF1 (R502A1B10N69PF1) (b)	R502A1B10N82NF1 (R502A1B10N69NF1) (b)
		R502A1BN0N83BF1 (R502A1BN0N82PF1) (b)	R502A1BN0N82MF1 (R502A1BN0N69PF1) (b)	R502A1BN0N82NF1 (R502A1BN0N69NF1) (b)
		R502A1B40N83BF1 (R502A1B40N82PF1) (b)	R502A1B40N82MF1 (R502A1B40N69PF1) (b)	R502A1B40N82NF1 (R502A1B40N69NF1) (b)
5/3		R502A1B60N83BF1 (R502A1B60N82PF1) (b)	R502A1B60N82MF1 (R502A1B60N69PF1) (b)	R502A1B60N82NF1 (R502A1B60N69NF1) (b)
		R502A1B70N83BF1 (R502A1B70N82PF1) (b)	R502A1B70N82MF1 (R502A1B70N69PF1) (b)	R502A1B70N82NF1 (R502A1B70N69NF1) (b)
		R502A1B50N83BF1 (R502A1B50N82PF1) (b)	R502A1B50N82MF1 (R502A1B50N69PF1) (b)	R502A1B50N82NF1 (R502A1B50N69NF1) (b)



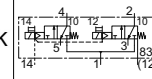


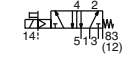
(b) Internal piloting (internal supply).

AIR QUALITY [ISO 8573-1 (2010)]: Level 7.4.4






40 μm ↔ 5 μm

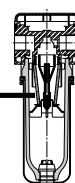


numatics		15-DIGIT PRODUCT CODE 		
		with impulse manual operator ISO 15407-2 18 mm	with maintained manual operator ISO 15407-2 18 mm	without manual operator ISO 15407-2 18 mm
(14)	(12)	 (Rubber packed)		
2 x 3/2 NC		R502A2BD0MA00F1	R502A2BD0M11BF1	R502A2BD0M11MF1
		 (Spool & Sleeve)		
5/2		R502A1B10MA00F1	R502A1B10M11BF1	R502A1B10M11MF1
		R502A1BN0NA00F1	R502A1BN0M11BF1	R502A1BN0M11MF1
		R502A1B40MA00F1	R502A1B40M11BF1	R502A1B40M11MF1
5/3		R502A1B60MA00F1	R502A1B60M11BF1	R502A1B60M11MF1
		R502A1B70MA00F1	R502A1B70M11BF1	R502A1B70M11MF1
		R502A1B50MA00F1	R502A1B50M11BF1	R502A1B50M11MF1

AIR QUALITY [ISO 8573-1 (2010)]: Level 7.4.4

40 μm ↔ 5 μm



numatics

502

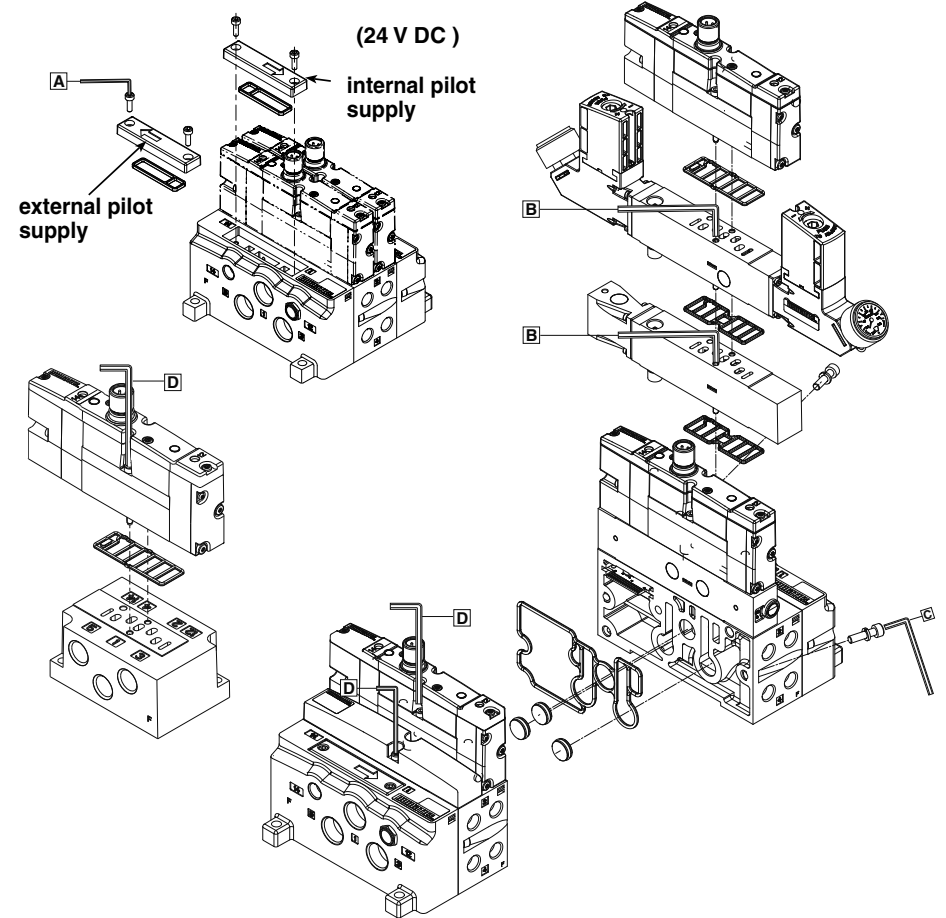


<p>G502AA3A20A0030</p>		<p>1-2-3-4-5 = 5 x G 3/8 12 = G 1/8</p>	
<p>US ▶ 8502AA3A20A0030</p>		<p>1-2-3-4-5 = 5 x NPT 3/8 12 = NPT 1/8</p>	
<p>G502AA3A2014X30</p>		<p>1-2-3-4-5 = 5 x G 3/8 12 = G 1/8 14 = G 1/8</p>	
<p>US ▶ 8502AA3A2014X30</p>		<p>1-2-3-4-5 = 5 x NPT 3/8 12 = NPT 1/8 14 = NPT 1/8</p>	

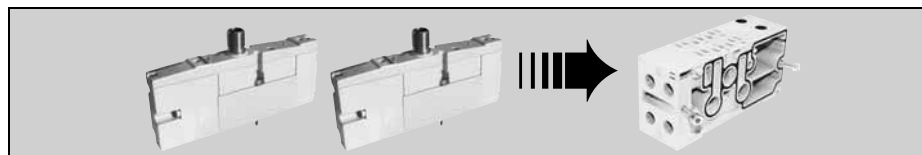
<p>G502AA3A2M56Y20</p>		<p>1-2-3-4-5 = 5 x G 3/8 12 = G 1/8</p>	
<p>US ▶ 8502AA3A2M56Y20</p>		<p>1-2-3-4-5 = 5 x NPT 3/8 12 = NPT 1/8</p>	
<p>G502AA3A2M59W20</p>		<p>1-2-3-4-5 = 5 x G 3/8 12 = G 1/8 14 = G 1/8</p>	
<p>US ▶ 8502AA3A2M59W20</p>		<p>1-2-3-4-5 = 5 x NPT 3/8 12 = NPT 1/8 14 = NPT 1/8</p>	

numatics

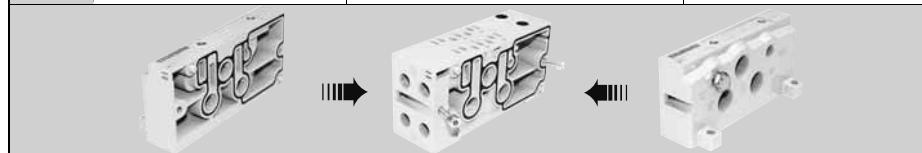
502



items	N.m	Inch.pounds
A	2 ±10%	17.7 ±1.8
B	1.2 ±10%	10.6 ±1.1
C	4.6 ±10%	40.7 ±4.1
D	2 ±10%	17.7 ±1.8



	G502AMV210A0030	4 x G 1/8		
US	8502AMV210A0030	4 x NPT 1/8		



	G502AK431478004	3 x G 3/8 (1/3/5) 2 x G 1/8 (12/14)	
US	8502AK431478001	3 x NPT 3/8 (1/3/5) 2 x NPT 1/8 (12/14)	

P502AB431813001		
------------------------	--	--

P502AD431914001		+		•	1
P502AD431914002		+		•	3
P502AD431914003		+		•	5
P502AD431914004		+		•	1, 3
P502AD431914005		+		•	1, 5
P502AD431914006		+		•	3, 5
P502AD431914007		+		•	1, 3, 5

ISO 15407-1



	R502AY506752001	
--	------------------------	--

G1/4 	G502AW506753002	
-----------------	------------------------	--

G1/4 	G502AX506753001	
-----------------	------------------------	--

	R502AS506755001	
--	------------------------	--

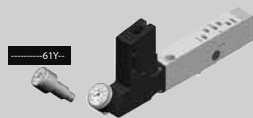
numatics

502

0,7 .. 9 bar

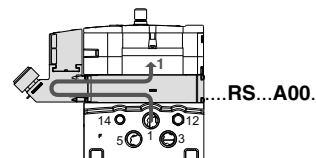


0,7 .. 9 bar
ISO 15407-1

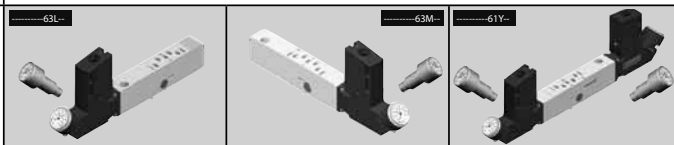


R502ARS120A0030

RS

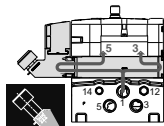


R502ARS12061Y30

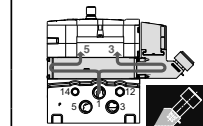


R502ARD12016P30

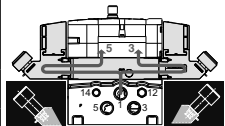
RD



....RD...16P..



....RD...16N..



....RD...A00..

R502ARD12063L30

R502ARD12016N30

R502ARD12063M30

R502ARD120A0030

R502ARD12061Y30

R502ARE12016P00

R502ARE12063L00

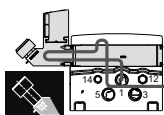
R502ARE12016N00

R502ARE12063M00

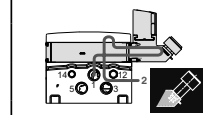
R502ARE120A0000

R502ARE12061Y00

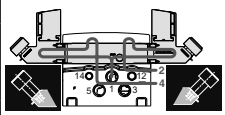
RE



....RE...16P..



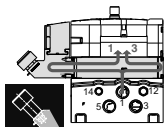
....RE...16N..



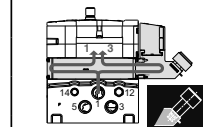
....RE...A00..

R502ART12016P30

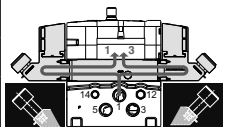
RT



....RT...16P..



....RT...16N..



....RT...A00..

R502ART12063L30

R502ART12016N30

R502ART12063M30

R502ART120A0030

R502ART12061Y30

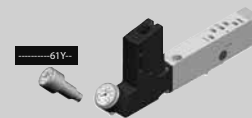
numatics

502

10 .. 130 psig

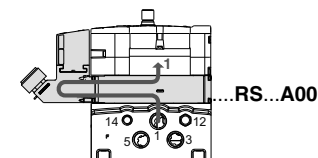


PSIG ► 10 .. 130 psig
ISO 15407-1



R502ARS110A0030

RS

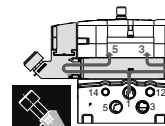


R502ARS11061Y30

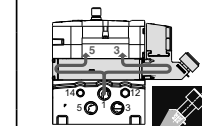


R502ARD11016P30

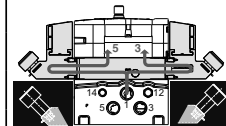
RD



....RD...16P..



....RD...16N..



....RD...A00..

R502ARD11063L30

R502ARD11016N30

R502ARD11063M30

R502ARD110A0030

R502ARD11061Y30

R502ARE11016N30

R502ARE11063L00

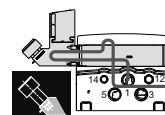
R502ARE11016N00

R502ARE11063M00

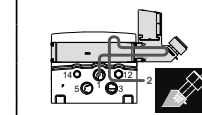
R502ARE110A0000

R502ARE11061Y00

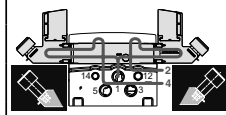
RE



....RE...16P..



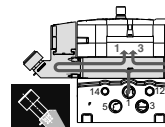
....RE...16N..



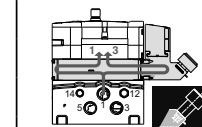
....RE...A00..

R502ART110A0030

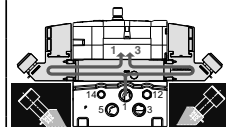
RT



....RT...16P..



....RT...16N..



....RT...A00..

R502ART11063L30

R502ART11016N30

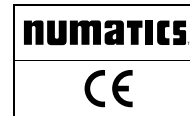
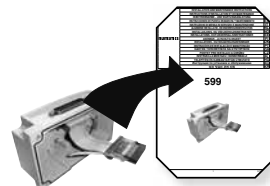
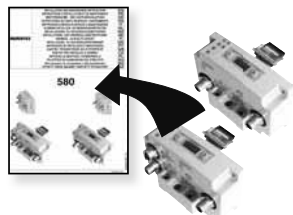
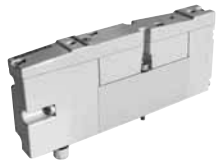
R502ART11063M30

R502ART110A0030

R502ART11061Y30

numatics	INSTALLATION AND MAINTENANCE INSTRUCTIONS	EN
	INSTRUCTIONS D'INSTALLATION ET DE MAINTENANCE	FR
	INBETRIEBNAHME - UND WARTUNGSANLEITUNG	DE
	INSTRUCCIONES DE PUESTA EN MARCHA Y MANTENIMIENTO	ES
	ISTRUZIONI DI MESSA IN SERVIZIO E MANUTENZIONE	IT
	ALGEMENE INSTALLATIE- EN ONDERHOUDSINSTRUCTIES	NL
	INSTALLASJONS- OG VEDLIKEHOLDSINSTRUKSER	NO
	INSTALLATIONS- OCH UNDERHÅLLSINSTRUKTIONER	SE
	ASENNUS - JA HUOLTO-OHJEET	FI
	INSTALLATIONS - OG VEDLIGEHOIDSANVISNINGER	DK
	INSTRUÇÕES DE INSTALAÇÃO E MANUTENÇÃO	PT
	ΟΔΗΓΙΕΣ ΤΟΠΟΘΕΤΗΣΗΣ ΚΑΙ ΣΥΝΤΗΡΗΣΗΣ	GR
	POKRYNY PRO INSTALACI A ÚDRŽBU	CZ
INSTRUKCJA MONTAŻU I KONSERWACJI	PL	
TELEPÍTÉSI ÉS KARBANTARTÁSI ÚTMUTATÓ	HU	
Инструкция по установке и обслуживанию	RU	
ОРНАТУ ЖӘНЕ ҚЫЗМЕТ КӨРСЕТУ НҰСҚАУЛАР	KZ	

502



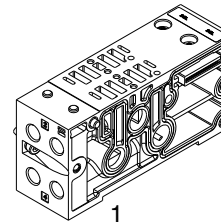
(24 V DC)



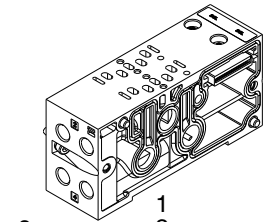
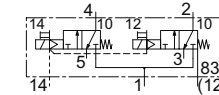
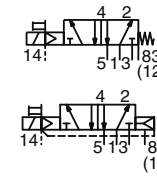
High flow

ISO 15407-2 / 18mm

SGL

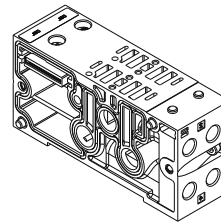


8 G 502AM**S2**GMA0010
K F H

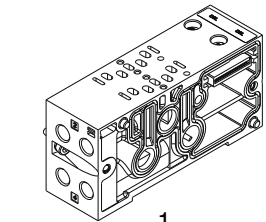
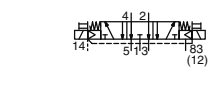
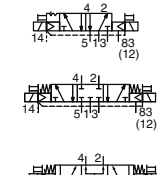


8 G 502AM**S2**GMA0020
K F H

DBL



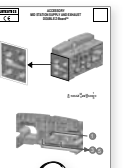
8 G 502AM**M2**GMA0010
K F H



8 G 502AM**M2**GMA0020
K F H

(Rubber packed)

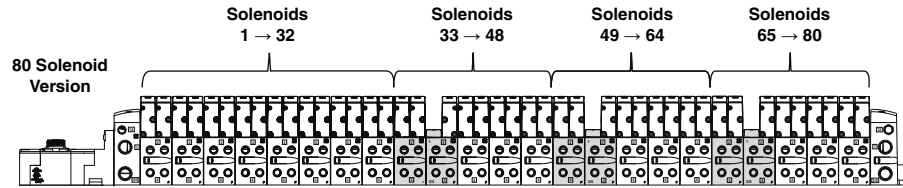
Accessory
Z-board™
Mid station
supply



37



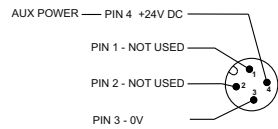
X-16 Driver
→ 80 Solenoids
(24 V DC)



80 Solenoid Version

8 G 502AFM4 K
1 TA0010
2 TA0020
F
H
G

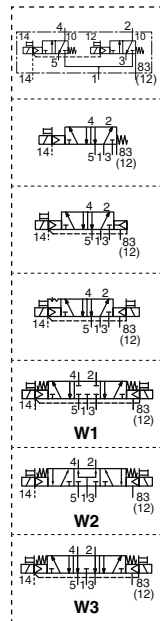
WIRING DIAGRAM



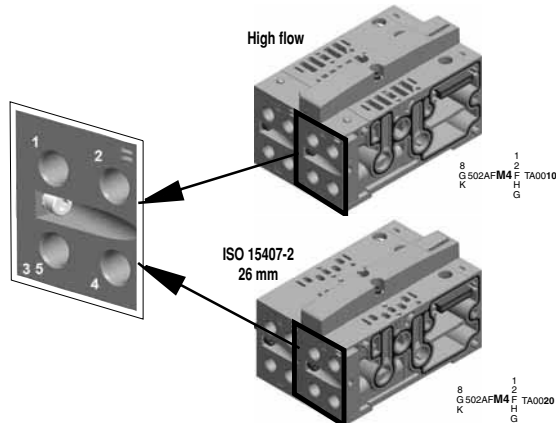
Auxiliary Power and X-16 Driver

Mid-Station Supply

Auxiliary Power and X-16 Driver



DBL



numatics		rated flow		14 P _p (23°C)	1 P (bar)	max.	min.	max. (PS)		
		6,3 bar l/min (ANR)							o / c	min.
(14) (12)		1→2 1→4	2→3 4→5	(ms)				=		
(Rubber packed)										
internal pilot supply										
2 x 3/2 NC		High flow	-	650	600	36 / 15	-	-	4	8
		-	ISO	500	440					
external pilot supply										
2 x 3/2 NC		High flow	-	650	600	36 / 15	4	8	2	8
		-	ISO	500	440					

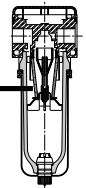
numatics			rated flow l/min 6,3 bar l/min (ANR)	 o / c (ms)	 14 P _p (bar) max. min.	 (23°C)	 1 P (bar) max. (PS) min. =
(14) (12)			1→2 1→4				
 (Spool & Sleeve)							
 internal pilot supply							
5/2 		High flow	470 530	16 / 49	-	-	2 8
		High flow	470 530	11 / 26	-	-	1,5 8
		High flow	470 530	16 / 16	-	-	2 8
5/3 		High flow	420 440	12 / 12	-	-	1,5 8
		High flow	420 430	13 / 23	-	-	1,5 8
		High flow	380 500	23 / 13	-	-	1,5 8
 external pilot supply							
5/2 		High flow	470 530	16 / 49	2	8	-0,95 8
		High flow	470 530	11 / 26	1,5	8	-0,95 8
		High flow	470 530	16 / 16	2	8	-0,95 8
5/3 		High flow	420 440	12 / 12	1,5	8	-0,95 8
		High flow	420 430	13 / 23	1,5	8	-0,95 8
		High flow	380 500	23 / 13	1,5	8	-0,95 8

numatics			15-DIGIT PRODUCT CODE	
(14) (12)		with impulse manual operator	with maintained manual operator	without manual operator
 (Rubber packed)				
2 x 3/2 NC	K		R502A2BD0MA00F1	R502A2BD0M11BF1 R502A2BD0M11MF1
 (Spool & Sleeve)				
5/2 			R502A1B10MA00F1	R502A1B10M11BF1 R502A1B10M11MF1
			R502A1BN0NA00F1	R502A1BN0M11BF1 R502A1BN0M11MF1
			R502A1B40MA00F1	R502A1B40M11BF1 R502A1B40M11MF1
5/3 			R502A1B60MA00F1	R502A1B60M11BF1 R502A1B60M11MF1
			R502A1B70MA00F1	R502A1B70M11BF1 R502A1B70M11MF1
			R502A1B50MA00F1	R502A1B50M11BF1 R502A1B50M11MF1

AIR QUALITY [ISO 8573-1 (2010)]: Level 7.4.4



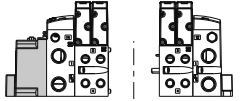
40 μm ↔ 5 μm



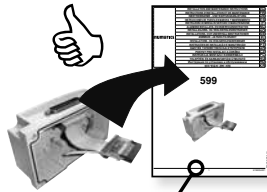
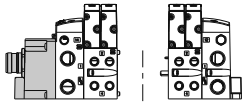
numatics

502

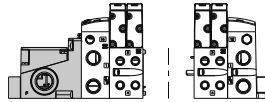
25 Pin Sub-D:
SGL = 22 max. / DBL = 11 max.
37 Pin Sub-D:
SGL = 32 max. / DBL = 16 max.



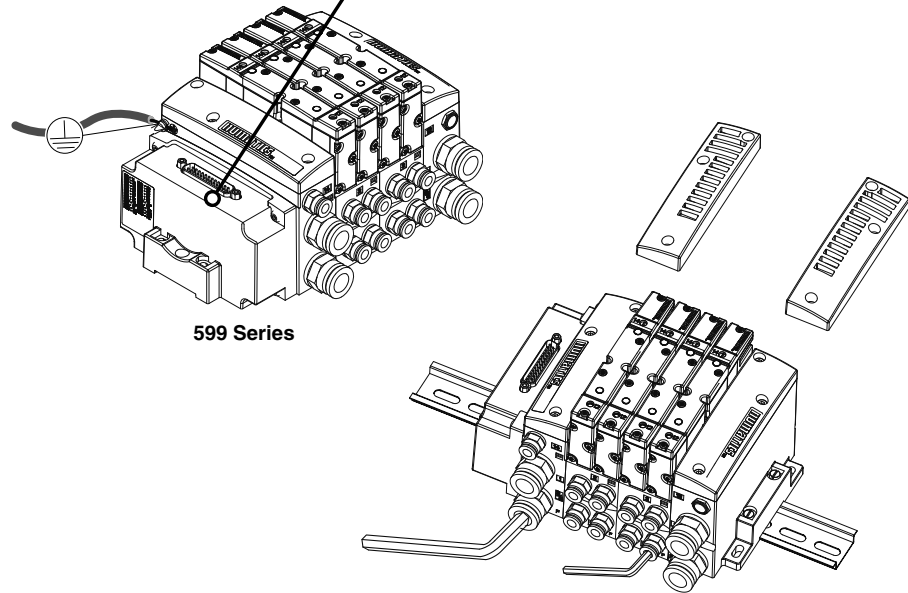
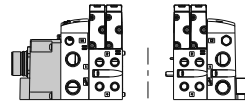
19 Pin Round Connector:
SGL = 16 max. / DBL = 8 max.



1-32 Terminal Strip:
SGL = 32 max. / DBL = 16 max.



26 Pin Round Connector:
SGL = 22 max. / DBL = 11 max.

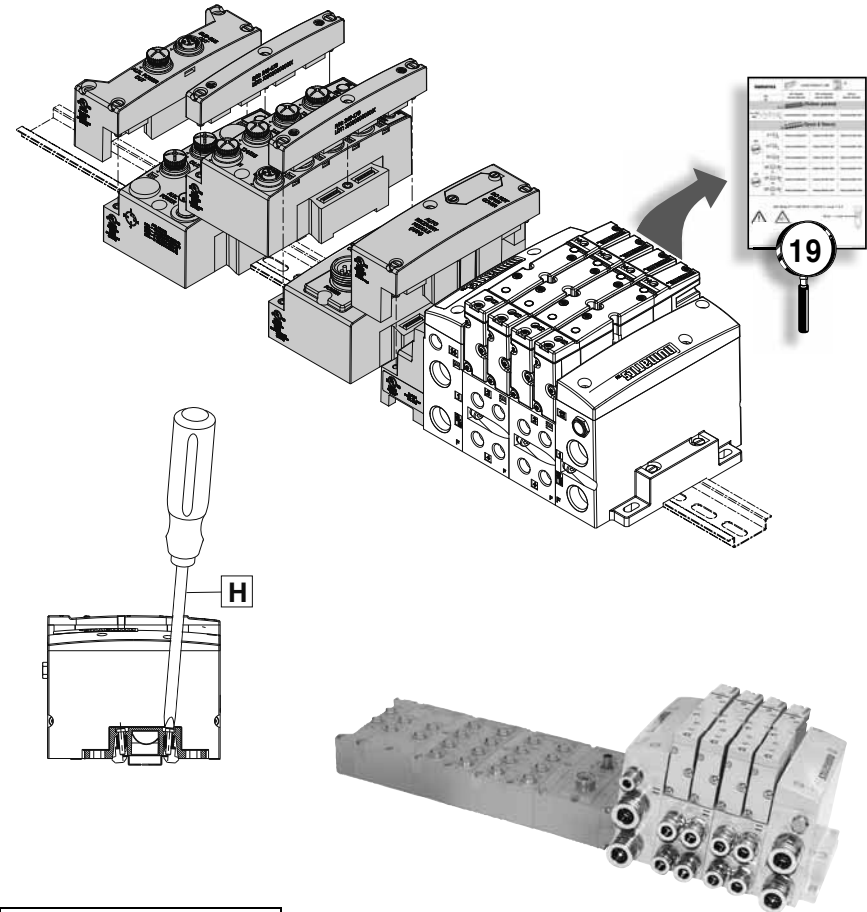


599 Series

numatics

502

G3 → 502



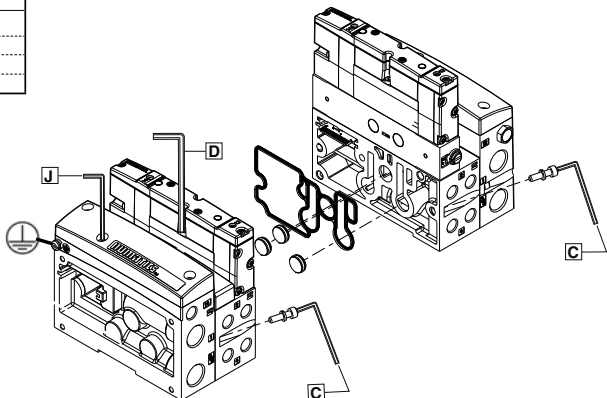
items	N.m	Inch.pounds
H	2.65	23.4

numatics

502



items	N.m	Inch.pounds
C	4.6 ± 10%	40.7 ± 4.1
D	2.0 ± 10%	17.7 ± 1.8
J	2.4 ± 10%	21.0 ± 2.1



P502AB431813001		
------------------------	--	--

P502AD431914001		+		•	1
P502AD431914002		+		•	3
P502AD431914003		+		•	5
P502AD431914004		+		•	1, 3
P502AD431914005		+		•	1, 5
P502AD431914006		+		•	3, 5
P502AD431914007		+		•	1, 3, 5

numatics

502



G (ISO 228/1)	1/8	6 mm	6 mm	Kit

numatics
502

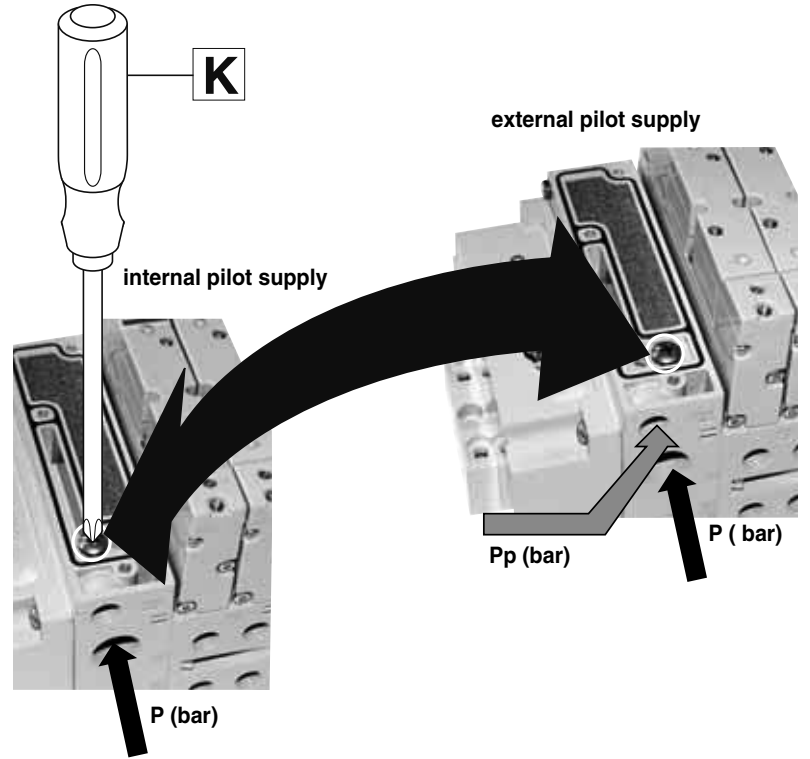
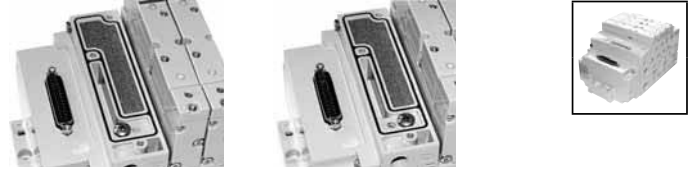


 NPT 1/8 3/8	 1/4 PF 3/8 PF	 1/4 PF 1/2 PF	 Kit	 8502AK431477001
				 K502AK431477005
				 K502AK431477003
 8502AK431477002	 K502AK431477006	 K502AK431477004	 Kit	 8502AK431477007
				 K502AK431477011
				 K502AK431477009
 8502AK431477008	 K502AK431477012	 K502AK431477010	 Kit	 8502AK431477007
				 K502AK431477011
				 K502AK431477009



 8502AK431477007	 K502AK431477011	 K502AK431477009	 Kit	 8502AK431477007
				 K502AK431477011
				 K502AK431477009
 8502AK431477008	 K502AK431477012	 K502AK431477010	 Kit	 8502AK431477007
				 K502AK431477011
				 K502AK431477009

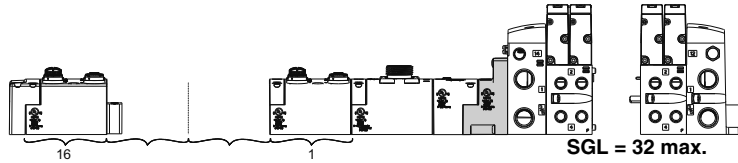
numatics
502



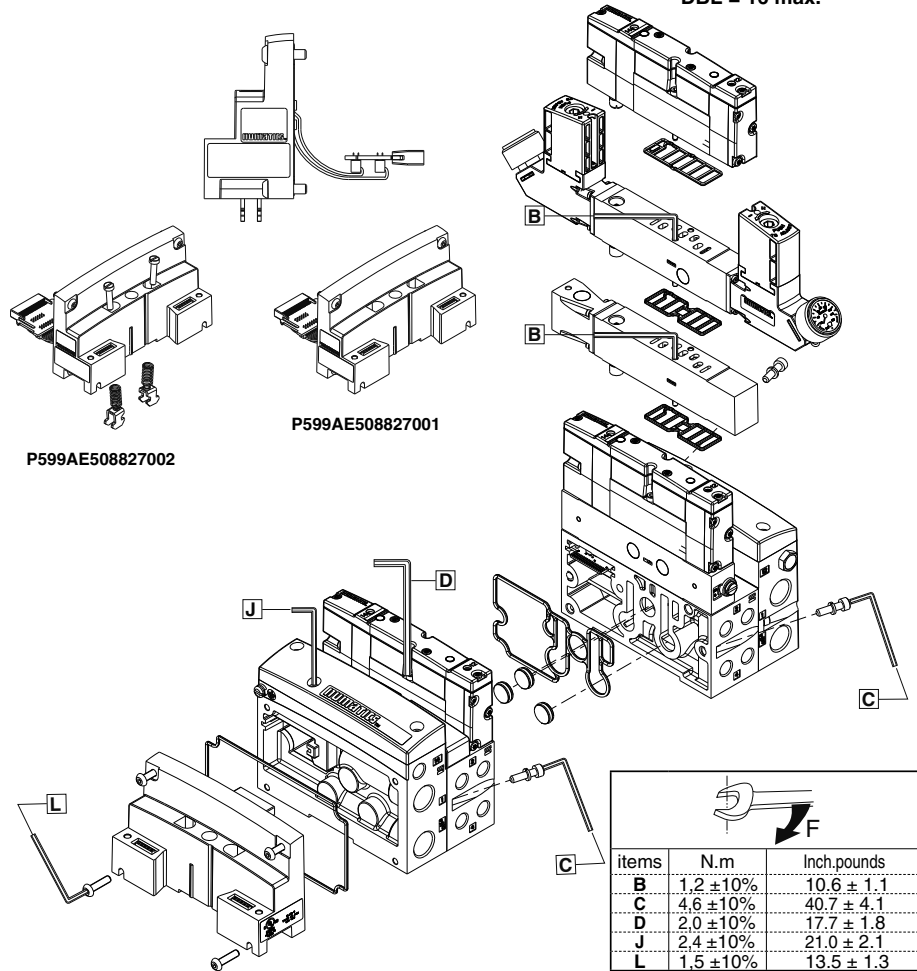
items	N.m	Inch.pounds
K	2,6 ±10%	23 ± 2.3

numatics

502



SGL = 32 max.
DBL = 16 max.



P599AE508827002

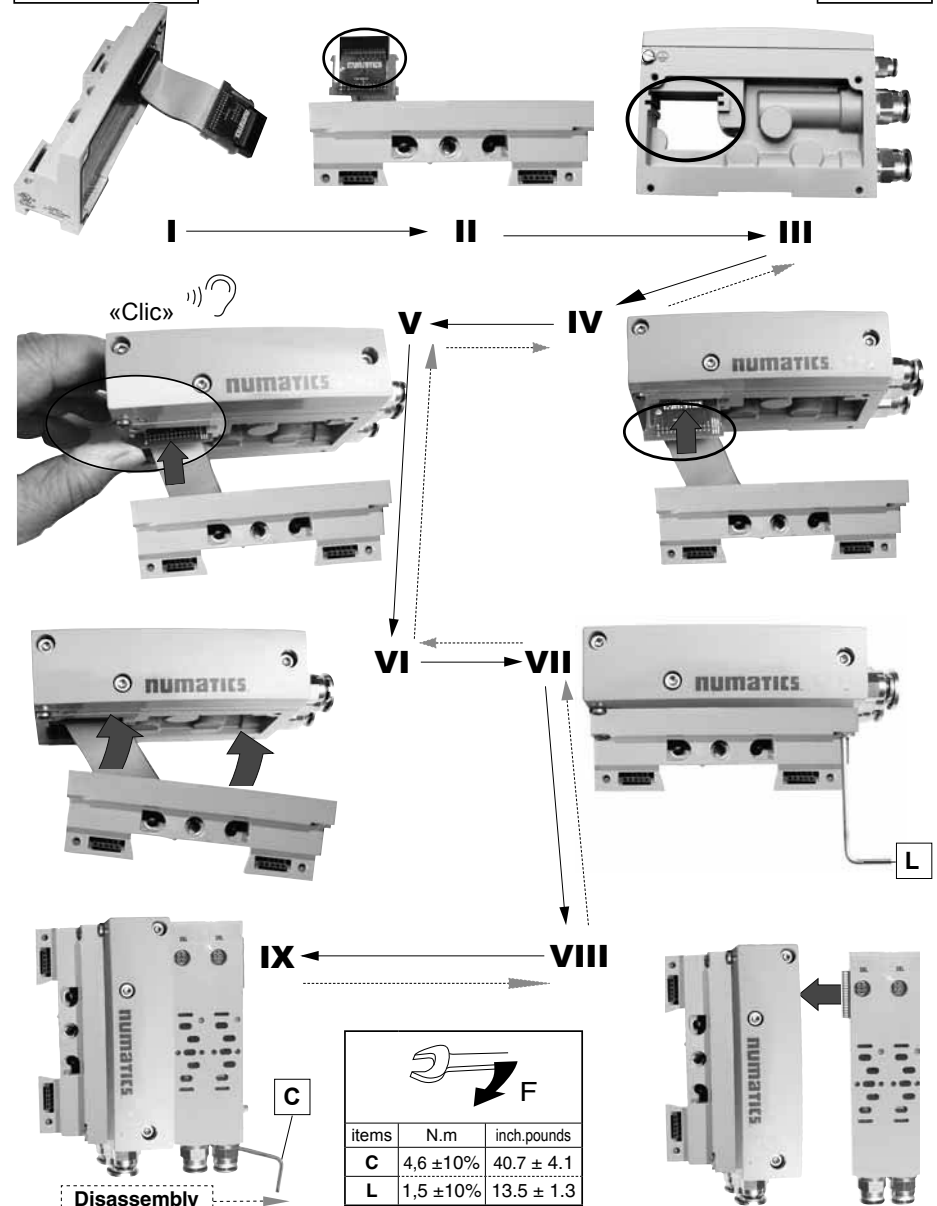
P599AE508827001

items	N.m	Inch.pounds
B	1,2 ±10%	10,6 ± 1.1
C	4,6 ±10%	40,7 ± 4.1
D	2,0 ±10%	17,7 ± 1.8
J	2,4 ±10%	21,0 ± 2.1
L	1,5 ±10%	13,5 ± 1.3

numatics

502

G3 / 580 / 599

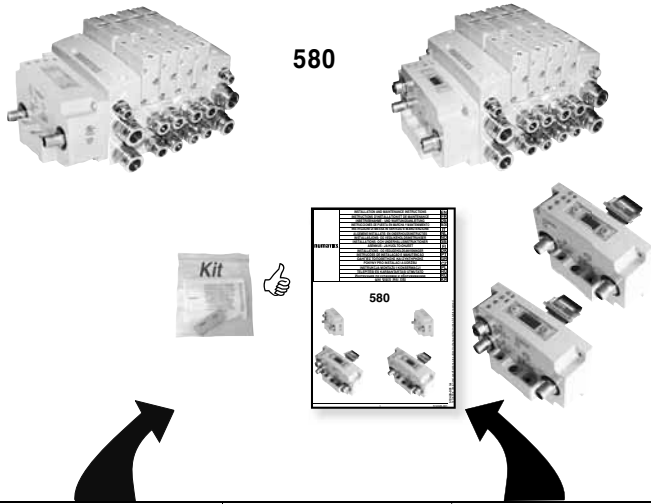


Disassembly

items	N.m	inch.pounds
C	4,6 ±10%	40,7 ± 4.1
L	1,5 ±10%	13,5 ± 1.3

numatics

502



	CANopen®		POWERLINK
	DeviceNet™		Ethernet/IP™
	PROFIBUS-DP®		EtherCAT®
	EtherNET/IP™ DLR		PROFINET®
	SUB-BUS		CHARM
	IO-Link Class A (4 pin)		IO-Link Class B (5 pin)

numatics

502



		R502AY429409002	
		G502AW428685004 US ▶ 8502AW428685004	
		G502AX428685002 US ▶ 8502AX428685002	
		R502AS429395002	
		R502AY429409001	
		G502AW428685003 US ▶ 8502AW428685003	
		G502AX428685001 US ▶ 8502AX428685001	
		R502AS429395001	
		G502AP428685005 US ▶ 8502AP428685005	
		G502AP428685006 US ▶ 8502AP428685006	

numatics

502



High flow
0,7 ... 9 bar

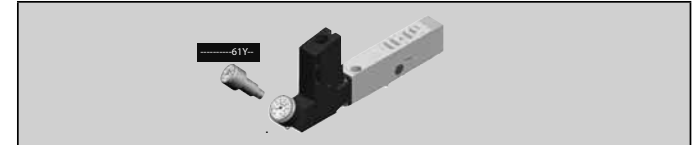
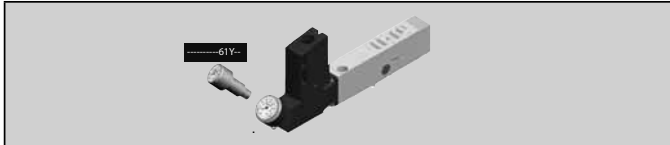


numatics

502

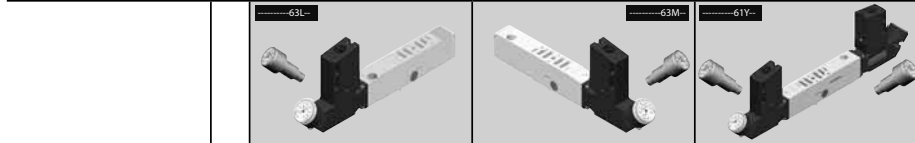


High flow
10 ... 130 psig



R502ARS12JA0010	RS			
R502ARS12J61Y10	RS...A00.		

R502ARS11JA0010	RS			
R502ARS11J61Y10	RS...A00.		



R502ARD12J16P10	RD			
R502ARD12J63L10	RD...16P..RD...16N..RD...A00..
R502ARD12J16N10				
R502ARD12J63M10				
R502ARD12JA0010				
R502ARD12J61Y10				

R502ARD11J16P10	RD			
R502ARD11J63L10	RD...16P..RD...16N..RD...A00..
R502ARD11J16N10				
R502ARD11J63M10				
R502ARD11JA0010				
R502ARD11J61Y10				

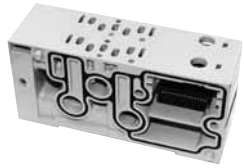
R502ARE12J16P10	RE			
R502ARE12J63L10	RE...16P..RE...16N..RE...A00..
R502ARE12J16N10				
R502ARE12J63M10				
R502ARE12JA0010				
R502ARE12J61Y10				

R502ARE11J16P10	RE			
R502ARE11J63L10	RE...16P..RE...16N..RE...A00..
R502ARE11J16N10				
R502ARE11J63M10				
R502ARE11JA0010				
R502ARE11J61Y10				

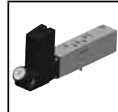
R502ART12J16P10	RT			
R502ART12J63L10	RT...16P..RT...16N..RT...A00..
R502ART12J16N10				
R502ART12J63M10				
R502ART12JA0010				
R502ART12J61Y10				

R502ART11J16P10	RT			
R502ART11J63L10	RT...16P..RT...16N..RT...A00..
R502ART11J16N10				
R502ART11J63M10				
R502ART11JA0010				
R502ART11J61Y10				

numatics
502



ISO 15407-2
18 mm
0,7 ... 9 bar



numatics
502



ISO 15407-2
18 mm
10 ... 130 psig



<p>R502ARS12JA0020</p> <p>R502ARS12J61Y20</p>	<p>RS</p> <p>....RS...A00.</p>
<p>R502ARD12J16P20</p> <p>R502ARD12J63L20</p> <p>R502ARD12J16N20</p> <p>R502ARD12J63M20</p> <p>R502ARD12JA0020</p> <p>R502ARD12J61Y20</p>	<p>RD</p> <p>....RD...16P.. RD...16N.. RD...A00..</p>
<p>R502ARE12J16P20</p> <p>R502ARE12J63L20</p> <p>R502ARE12J16N20</p> <p>R502ARE12J63M20</p> <p>R502ARE12JA0020</p> <p>R502ARE12J61Y20</p>	<p>RE</p> <p>....RE...16P.. RE...16N.. RE...A00..</p>
<p>R502ART12J16P20</p> <p>R502ART12J63L20</p> <p>R502ART12J16N20</p> <p>R502ART12J63M20</p> <p>R502ART12JA0020</p> <p>R502ART12J61Y20</p>	<p>RT</p> <p>....RT...16P.. RT...16N.. RT...A00..</p>

<p>R502ARS11JA0020</p> <p>R502ARS11J61Y20</p>	<p>RS</p> <p>....RS...A00.</p>
<p>R502ARD11J16P20</p> <p>R502ARD11J63L20</p> <p>R502ARD11J16N20</p> <p>R502ARD11J63M20</p> <p>R502ARD11JA0020</p> <p>R502ARD11J61Y20</p>	<p>RD</p> <p>....RD...16P.. RD...16N.. RD...A00..</p>
<p>R502ARE11J16P20</p> <p>R502ARE11J63L20</p> <p>R502ARE11J16N20</p> <p>R502ARE11J63M20</p> <p>R502ARE11JA0020</p> <p>R502ARE11J61Y20</p>	<p>RE</p> <p>....RE...16P.. RE...16N.. RE...A00..</p>
<p>R502ART11J16P20</p> <p>R502ART11J63L20</p> <p>R502ART11J16N20</p> <p>R502ART11J63M20</p> <p>R502ART11JA0020</p> <p>R502ART11J61Y20</p>	<p>RT</p> <p>....RT...16P.. RT...16N.. RT...A00..</p>

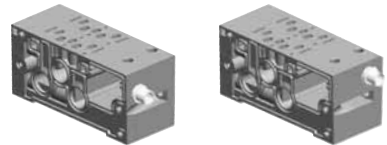
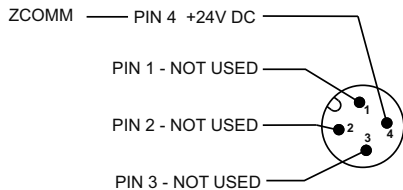
numatics

502

ACCESSORY ZONED POWER (24 VDC Separation)



WIRING DIAGRAM



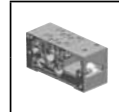
8 G 502AM S M 2 3 V HW A00 1 2 0 K

Table with 2 columns: Language (EN, FR, DE, ES, IT, NL, NO, SE, FI, DK, PT, GR, CZ, PL, HU, RU, KZ) and Description of the accessory in that language.

numatics

502

ACCESSORY ZONED POWER (24 VDC Separation)



8 G 502AM S M 2 3 V HW A00 1 2 0 K



ISO 13849

Table with 2 columns: Language (EN, FR, DE, ES, IT, NL, NO, SE) and Description of the accessory in that language, including safety and compliance information.



ACCESSORY

ZONED POWER (24 VDC Separation)

ISO 13849

ACCESSORY
MID STATION SUPPLY AND EXHAUST
503 double Z-board, 15407-2 double Z-board and 15407-1 no Zboard

- FI**

Zoned Power -pneumaattisia saarekkeita voidaan käyttää osana turvallisuuteen liittyvää ohjauksenestelmää (SRP/CS) ISO 13849 -standardien mukaisesti kategoriassa 3 / PLd saakka, jos niitä käytetään yhdessä asianmukaisen ulkoisen turvallisuusvalvonnan kanssa (esimerkkejä: seuranta, ajoitus, pulssitesti jne.) ja kaikkien sovellettavien turvallisuusstandardien mukaisesti. ISO 13849 -standardin mukaisesti loppukäyttäjän tai ulkopuolisen organisaation on arvioitava ja sertifioitava koko ohjauksenestelmä (CS), jyviksi todetut komponentit mukaan lukien. Pyydettyessä voimme toimittaa pneumaattisten saarekkeiden luotettavuus tiedot. Erilaisia käyttökohtauksia kuvataan tarkemmin toimipisteissämme saatavilla olevassa teknisessä käsikirjassamme.

 - ISO 13849-2 -standardin ja tuoteturvallisuusmääräysten mukaan sähkö osiin on syytä käyttää SELV/PELV-virtalähteitä.
 - Jos tuotetta käytetään ympäristössä, jossa esiintyy sähköä johtavaa pölyä, vettä tai muita aineita, jotka voisivat aiheuttaa sisäisiä oikosulkuja, on käytettävä kaappia tai asianmukaista koteloita.
- DK**

Pneumatiske Zoned Power-grupper kan anvendes som del af et SRP/CS-system (Safety Related Product of a Control System) overensstemmende med ISO 13849-sikkerhedsstandarderne op til kategori 3/PLd, hvis de anvendes med en passende ekstern sikkerhedskontrol (f.eks. overvågning, timing, impulstest etc.) og i overensstemmelse med alle relevante sikkerhedsstandarder. I overensstemmelse med ISO 13849 skal slutbrugerne eller tredjepartsorganisationen vurdere og certificere alle CS'er (kontrollsystemer) inklusive de dokumenterede komponenter. Pålidelige data for gruppens komponenter kan oplyses på anmodning. De forskellige typer anvendelse er beskrevet i vores tekniske manual, der er tilgængelig på vores hjemmeside.

 - I overensstemmelse med ISO-standard ISO 13849-2 skal standardiserede og produktikkerhedsrelaterede strømforstyrrelser via SELV/PELV-strømforsyninger.
 - Hvis produktet anvendes i et miljø med ledende støv, vand eller andre medier, der kan forårsage indvendige kortslutninger, skal der anvendes et kabinet eller en egnet indkapsling.
- PT**

Pode utilizar as ilhas pneumáticas de Potência Dividida em Zonas como parte de um sistema de controlo relacionado com a segurança (SRP/CS) em conformidade com as normas ISO 13849 até à Categoria 3 / PLd se forem utilizadas com um controlo de segurança externo adequado (exemplos: vigilância, temporização, teste de impulsos, etc.) e em conformidade com todas as normas de segurança associadas. De acordo com a norma ISO 13849, o utilizador final ou terceiro deve avaliar e certificar o Sistema de Controlo completo (CS), incluindo todos os componentes comprovados. Os dados de fiabilidade dos componentes das ilhas podem ser fornecidos a pedido. Diferentes tipos de aplicação são detalhados no nosso manual técnico disponível no nosso site Web.

 - Em conformidade com a norma ISO 13849-2, as peças de segurança dos produtos e padrão têm de ser alimentadas por fontes de alimentação SELV/PELV.
 - Quando utilizar o produto num ambiente com poeira condutora, água ou outros meios que possam originar curtos-circuitos internos, deve utilizar uma caixa ou um armário apropriado.
- GR**

Οι pneυματικές μονάδες Zoned Power μπορούν να χρησιμοποιηθούν ως Σύστημα Ελέγχου για θέματα Ασφαλείας (SRP/CS) σε συμμόρφωση με τα πρότυπα του ISO 13849 έως την Κατηγορία 3 / PLd εφόσον χρησιμοποιούνται μαζί με κατάλληλο έλεγχο εξωτερικής ασφαλείας (παραδείγματα: παρακολούθηση, χρονόμετρο, δοκιμή παλμών, κλπ.) και σε συμμόρφωση με όλα τα συναφή πρότυπα ασφαλείας. Σε συμμόρφωση με το ISO 13849, ο τελικός χρήστης ή ο ανεξάρτητος οργανισμός υποχρεούται να προβεί σε αξιολόγηση και πιστοποίηση του συνόλου του Συστήματος Ελέγχου (CS) καθώς επίσης και των αποδεδειγμένων εξαρτημάτων. Τα δεδομένα αξιοπιστίας των εξαρτημάτων των μονάδων διατίθενται, αν ζητηθούν. Στο τεχνικό χειρίδιό που διατίθεται στην ιστοσελίδα μας παρουσιάζονται αναλυτικά διάφοροι τύποι εφαρμογών.

 - Σε συμμόρφωση με το πρότυπο ISO 13849-2 τα κινούμενα εξαρτήματα και τα εξαρτήματα ασφαλείας προϊόντος πρέπει να συνδέονται με προποστικά SELV/PELV. Όταν το προϊόν χρησιμοποιείται σε περιβάλλοντα που περιέχει αμιωνική σκόνη, νερό ή άλλο μέσο που ενδοχομώμεως να πυροδοτήσει εσωτερικά βραχυκυκλώματα, είναι υποχρεωτική η χρήση ερμητικού ή κατάλληλου κελύφους.
- CZ**

Pneumatiské ostrovy Zoned Power mohou být použity jako součást řídicího systému souvisejícího s bezpečností (SRP/CS) v souladu s normami ISO 13849 až do kategorie 3/PLd, pokud jsou používány s příslušnou vnější kontrolou bezpečnosti (příklady: sledování, impulzní test, časová ad.) a v souladu se všemi souvisejícími bezpečnostními normami. V souladu s normou ISO 13849 musí organizace koncového uživatele nebo třetí strany posoudit a certifikovat všechny řídicí systémy (CS) včetně osvědčených součástí. Údaje o spolehlivosti součástí ostrovy poskytneme na vyžádání. V našem technickém manuálu, který je k dispozici na našich stránkách, jsou podrobně popsány různé typy aplikací.

 - V souladu s normou ISO 13849-2 a bezpečnostní výrobku musejí být části napájené napájecími zdroji SELV/PELV.
 - Pokud je výrobek používán v prostředí, které obsahuje vodivý prach, vodu nebo jiné médium, které by mohlo vyvolat vnitřní zkratky, musí být použita skříň nebo příslušný kryt.
- PL**

Wyspy pneumatyczne mocy sterowej można stosować jako część systemu sterowania związanego z bezpieczeństwem (SRP/CS) zgodnie z normami ISO 13849 do kategorii 3 / PLd, jeśli zostaną zastosowane z odpowiednim zewnętrznym sterowaniem bezpieczeństwa (na przykład: nadzór, synchronizacja, test impulsu itp.) oraz zgodnie ze wszystkimi powiązanymi normami bezpieczeństwa. Zgodnie z normą ISO 13849 użytkownik końcowy lub strona trzecia muszą poddać ocenie i zalegalizowaniu wszystkie elementy systemu sterowania (CS), włączając zatwierdzone komponenty. Dane dotyczące niezawodności naszych podzespołów wyspy można uzyskać na zamówienie. Różnego rodzaju zastosowania zostały szczegółowo opisane w instrukcji technicznej dostępnej na naszej stronie internetowej.

 - Zgodnie z normą ISO 13849-2 komponenty standardowe i bezpieczeństwa produktu muszą być zasilane przez zasilacze SELV/PELV.
 - W przypadku zastosowania produktu w środowisku zawierającym pyły przewodzące, wodę lub inne media mogące spowodować wewnętrzne zwarcie elektryczne należy zastosować szafę sterowniczą lub odpowiednią obudowę.
- HU**

A Zoned Power pneumatikus szigeték biztonságos kapcsolatos ellenőrzési rendszerek (SRP/CS) részeként használhatók, az ISO 13849 szabvány betartása mellett a 3. kategóriás/PLd rendszerig, amennyiben a megfelelő külső biztonsági ellenőrzéssel (például: megfigyelés, időzítés, impulzus teszt, stb.), valamint az összes kapcsolódó biztonsági szabvány betartásával használják őket. Az ISO 13849 értelmében, a végfelhasználónak, illetve a harmadik fél szervezetnek minden vezérlőrendszer (CS) fel kell mérnie, és igazolnia kell, beépítve a bevált alkatrészeket. A pneumatikus sziget alkatrészeinek megbízhatósági adatai kérésre megadhatók. A weboldalunkon elérhető műszaki kézikönyvünkben megtalálható a különböző típusú alkalmazások részletes leírása.

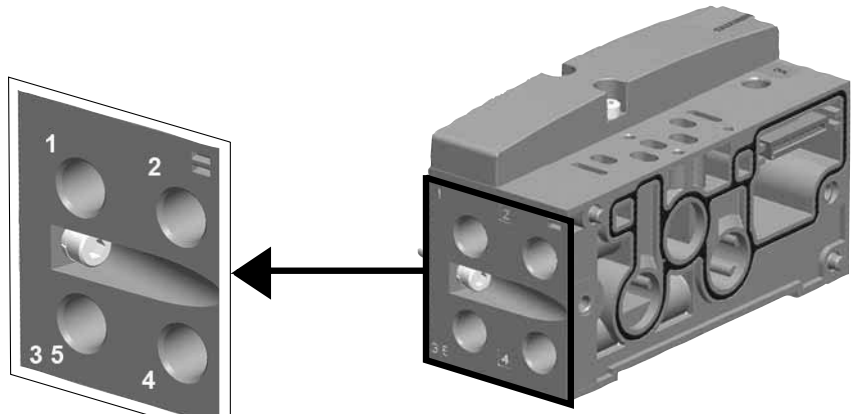
 - Az ISO 13849-2 szabvány értelmében a termék biztonsági alkatrészeit SELV/PELV tápfeszültséggel kell ellátni.
 - Ha a terméket vezetéképés port, vizet vagy egyéb, belső rövidzárlatot okozó közvetítő anyagot tartalmazó környezetben használják, akkor szekrényt vagy megfelelő burkolatot kell alkalmazni.
- RU**

В качестве элемента системы контроля, связанной с безопасностью (SRP/CS), можно использовать пневмоострова с зонированным питанием согласно стандартам ISO 13849 вплоть до категории 3/PLd, если это сочетается с соответствующими внешними мерами по контролю безопасности (напр. наблюдение, тагирование, импульсный контроль и т. д.) и с соблюдением всех связанных с ними стандартов безопасности. Согласно ISO 13849 конечный пользователь или сторонняя организация обязаны провести оценку и сертификацию системы контроля в целом, включая проверенные компоненты. Данные по надежности компонентов острова предоставляются по требованию. Различные виды применения перечислены в техническом руководстве на нашем сайте.

 - Согласно стандарту ISO 13849-2 и требованиям к безопасности, на элементы следует подавать электропитание БСНН/ЗСНН.
 - При эксплуатации в среде, содержащей проводящую пыль, воду или иное вещество, способное вызвать внутреннее короткое замыкание, следует воспользоваться шкафом или соответствующим кожухом.
- KZ**

Қуатты қамтамасыз ететін, аймақтарға белінген пневматикалық блоктар қауіпсіздікті қамтамасыз етуге арналған тиісті элементтермен (мысалы, бақылау, уақытты белгілеу, импульс сынағы, т.б.) бірге пайдаланылса және барлық байланысты қауіпсіздік стандарттарына сәйкес пайдаланылса, оларды ISO 13849 стандартына сәйкес 3-санат/PLd деңгейіне дейінгі қауіпсіздікке қатысты басқару жүйесінің (SRP/CS) бір бөлігі ретінде пайдалануға болады. ISO 13849 стандартына сәйкес, тұтынушы немесе үшінші тарап ұйымын тексерілген құрамдастарды қоса, басқару жүйесінің (БЖ) жұмысын түгел бағылап, нұсқаландыру қажет. Блок құрамдастарының сенімділігі туралы деректер сұрау бойынша беріледі. Қолдану түрлері біздің веб-сайтта қолжетімді техникалық нұсқаулықта толық сипатталған.

 - SO 13849-2 стандарты бойынша өнім қауіпсіздігінің бөлшектері SELV/PELV қуат блогынан қуатпен қамтамасыз етілуі тиіс.
 - Өнім электр өткізгіш шаң, су немесе қысқа тұйықталуға себеп болатын қандай да бір зат бар ортада пайдаланылса, шкаф немесе тиісті жабық жерді пайдалану керек.



8
G 502AZ M²² V⁰ A002¹
K 3

