

<b>ASCO</b>	<b>INSTALLATION AND MAINTENANCE INSTRUCTIONS</b> Monostable series 553 solenoid valves for safety applications Aluminium or stainless steel body, 1/2" thread – NAMUR interface, according to IEC standard 61508 (SIL approval)	<b>3/2 NC</b>	<b>GB</b>
		<b>5/2</b>	

**DESCRIPTION OF THE CERTIFICATION**  
Versions concerned by the certification, suffix SL:  
**Series 553, aluminium or stainless steel body, monostable (spring return), 3/2 NC (normally closed) function or 5/2, version isolated from the outside atmosphere. Versions without manual override or with impulse-type manual override:**

- **with 1/2" threaded connection** (Do not connect the pressure supply to the exhaust port 3. The "environmentally-protected" construction is not adapted for a "distributing" function or use in NO function. Contact us for functions available in specific versions)

- **with NAMUR interface** for direct mounting to single acting (function 3/2 NC) or double acting (function 5/2) pneumatic actuators. The function of the valve is convertible from 3/2 NC to 5/2 by mounting the supplied 13/2 NC or 5/2 interface plate at the bottom of the valve (fig. C and D, ref. 1a and 1b). (Do not connect the pressure supply to the exhaust port 3. The "environmentally-protected" construction is not adapted for NO function. Contact us for function available in specific version)

**The use of any other product is prohibited and does not constitute a part of this approval.**  
IEC standard 61508 describes a set of general requirements for each phase in the life cycle of a safety system. Analysis of the reliability achieved by the EXIDA has shown that these distributors and electrical distributors can be used in a security management system (SMS) up to and including SIL 2 at HFT = 0 and up to and including SIL 3 at HFT = 1 with the required HFT level based on route 2H in accordance with the CEI 61508-2: 2010 standard.

A summary of the trial results and the reliability data is provided on pages 35 and 36 of this document. For the installation, maintenance, testing and commissioning of these valves, use of the security manual (V9629) is recommended; this is available on the website [www.asconumatics.eu](http://www.asconumatics.eu). All indications and provisions contained in the general installation and maintenance instructions form the basis of the above-mentioned documents. To ensure the reliability, all additional provisions mentioned hereinafter must also be adhered to.

Connect pipes for the required functions in accordance with this documentation and the port markings on the product.

- Make sure no foreign matter enters the circuit to prevent blocking the valve function. Restrict the use of sealing tape or sealing matter to a minimum.

- These valves are intended for use with clean and dry air or inert gas. Recommended minimum filtration: 50 microns. The dew point of the fluid used must be at least -20°C (36°F) below the minimum temperature to which the fluid may be exposed. When using lubricated air, the lubricant must be compatible with the elastomers used. Instrument air in compliance with ANSI/ISA standard S7.3 (1975) exceeds the necessary requirements and is, therefore, an acceptable fluid for these valves.

- All exhaust ports of the valves and pilots must be protected with the stainless steel exhaust protectors supplied with the product (see rep. 3). When used in a pipe connection, the valves must be protected with (an) appropriate filter(s). Connect these exhaust protectors to port 3 (3/2 NC) or ports 3 – 5 (5/2) of the valves. The reliability of the valve cannot be guaranteed if an exhaust protection other than that supplied is used. In this case, please contact Ascoco or one of its authorised representatives.

- Maximum working pressure:

- 2 to 10,4 bar
- 2 à 8 bar (195-LISC)

**⚠ Remember that the product security function is not guaranteed if the product is fitted with a manual lock control which is activated. Do not forget to deactivate this to restore the product to its security configuration.**

#### DESCRIPTION

**ATEX 94/9/EC versions: See "Special conditions for safe use". Versions isolated from atmosphere:** The internal parts of the valve are isolated from the outside atmosphere in order to provide protection in aggressive environments. All the exhaust ports of the spool valve are pipable, providing better environmental

protection, particularly recommended for sensitive areas such as clean rooms and applications in the pharmaceutical or food processing industries. It is necessary to connect pipes or fittings to the exhaust ports to protect the internal parts of the spool valve if used outside or in harsh environments (dusts, liquids etc.).

#### SPECIAL CONDITIONS FOR SAFE USE

**ATEX 94/9/EC:** The valve must be connected to ground (ref. F). Storage conditions: protected from exposure to weather; storage temperature: -40°C to +70°C; relative humidity: 95 %

The spool valve must be kept in its original packaging as long as it is left unused. The protective covers must not be removed from the connection ports and solenoid operators. Ambient temperature: -25°C (aluminium), -40°C (stainless steel) to +60°C

The max. temperature of the fluid does not exceed the ambient temperature.

**After storage at low temperature, the spool valves must gradually be brought to operating temperature prior to pressurisation.**

If, in Zone 1, Group IIC, use is made of the 553 series with integrated pilot, the product must be protected against ambient air flow and friction in order to prevent electrostatic charge on the synthetic material casing. The wearing of dry clothes and/or friction on the surface of the magnetic head should be avoided during installation and maintenance.

The spool valves are intended to be operated within the technical characteristics specified on the nameplate. Changes to the products may only be made after consulting the manufacturer or his representative. **These solenoid spool valves are designed to operate with filtered air or neutral gas.** Do not exceed the maximum allowable pressure of the valve = 8/10,4 bar. Caution: observe the minimum pilot pressure of 2 bar. Installation and maintenance of the valve must be carried out by qualified personnel only.

• Standard IP65-rated air operated versions or versions for use in explosive atmospheres caused by gases, vapours, mists or dusts according to ATEX Directive 94/9/EC. (The zone classification for this version is stated on the ATEX label, ref. E2).

E2/Safety code: **II 2GD IIC X Ta 60°C T85°C (T6).**

Compliance with the Essential Health and Safety Requirements has been assured by compliance with the European Standard **EN 13463-1**.

• Solenoid-air operated versions fitted with solenoid operators:

- IP65 sealed or

- certified for use in explosive atmospheres according to ATEX Directive 94/9/EC

• **Versions with integral pilot**, IP65-rated as standard, or for use in explosive atmospheres II 3D IP65 or ATEX Ex m, em

• **Versions with solenoid operators with ASCO mounting pad**, IP65-rated as standard, or for use in explosive atmospheres II 3D IP65 or ATEX/IECEx Ex d, m, em, ia.

• **Versions with pilots with CNOMO E06.05.80 (size 30) or CNOMO E06.36.120N (size 15) mounting pad**, IP 65-rated as standard, or mounting of pilots for use in explosive atmospheres according to ATEX Ex d or Ex ia. **Caution (CNOMO pilots): Placing the valves into zones (ATEX 1999/92/EC) is defined in first line by the indications on the label (ref. E2) on the body of each valve.**

E2/Safety code: **II 2GD IIC X Ta 60°C T85°C (T6).**

**When assembling this product to a pilot to ATEX 94/9/EC, take the least favourable category, maximum working pressure and temperature into account.** Compliance with the Essential Health and Safety Requirements has been assured by compliance with the European Standards **EN 13463-1**.

The mounting position for the pilots as shown in figures 5/6/7/8/10 and the indicated tightening torques must be observed.

**For solenoid operators and pilots to ATEX 94/9/EC, the instructions for use given in the specific Installation Instructions provided with the product must be strictly followed.**

<b>ASCO</b>	<b>INSTALLATION AND MAINTENANCE INSTRUCTIONS</b> Monostable series 553 solenoid valves for safety applications Aluminium or stainless steel body, 1/2" thread – NAMUR interface, according to IEC standard 61508 (SIL approval)	<b>3/2 NC</b>	<b>GB</b>
		<b>5/2</b>	

#### ASSEMBLY

**⚠ ATEX 94/9/EC versions:** Make sure that all metal or conductive parts are always interconnected and connected to earth. The valve body is connected to earth with the fastening screw (ref. F).  
The valves may be mounted in any position.

**Treaded ports versions (1/2) (fig. A, B) :**  
Mount the valve with two screws (rep. F) (not supplied).

**With NAMUR interface versions (fig C, D) :**  
Before mounting the spool valve on the operator, it must be set to the required function :

- Select the interface which corresponds to the required function : 3/2 NC or 5/2 (rep. 1a or 1b).

- Make sure the seal is properly fitted (rep.7)

- Assemble the interface under the spool valve with the 2 screws supplied. Make sure the indication of the function is placed on the return side (polarizing slot)

- Fit the two O-rings (rep.9)

- If necessary, fit the dowel pin on the operator:

- On the 3/2 NC function plate: the Ø 5 dia. hole is at A3/A1.
- On the 5/2 function plate: the Ø 5 dia. hole is at A3/A2.

#### PNEUMATIC CONNECTION

Depending on the version (3/2 NC or 5/2), one or both stainless steel exhaust protectors supplied with each product must be used.

• **Connection of pneumatic pilot version:**

G 1/4 or NPT 1/4.

• **Connection of pilot exhausts**

- Connect the exhaust port Ø M5, G 1/8 or NPT1/8

• **Manual override (rep. 10)**

Depending on the version, the products are supplied **without manual override or with impulse-type manual override** for operation without power.

• **General recommendations for pneumatic connection**

Connect pipes for the required functions in accordance with this documentation and the port markings on the product. Make sure that no foreign matter enters the system.

Correctly support and align the pipes to prevent mechanical strain on the valve. When tightening, do not use the valve as a lever; locate wrenches as close as possible to connection point. To avoid damage to the equipment, DO NOT OVERTIGHTEN pipe connections.

• **Treaded 1/2 port versions (fig. A, B):**

- **Connection of the spool valve:**

Connect pipes as indicated on the label:

- **3/2 NC function:**  
Pressure inlet at port 1 (1/2). Pressure outlet at port 2. Exhaust at port 3 (1/2).

- **5/2 function:**  
Pressure inlet at port 1. Pressure outlet at ports 2 and 4. The exhausts are channelled through the valve to ports 3 and 5.

• **Version with NAMUR interface (fig C, D) :**

- **Connection of the spool valve**

Connect pipes as indicated on the label:

- **3/2 NC function:**  
Pressure inlet at port 1 (1/2). Pressure outlet at port 2 and 4. Exhaust at port 3 (1/8). Exhaust from the return operator spring chambers in the single-acting version is channelled through the valve to Port 3. It is recommended to protect Port5 (if not used) - **do not stop up it.**

- **5/2 function:**  
Pressure inlet at port 1 (1/2). Pressure outlet at ports 2 and 4. The exhausts are channelled through the valve to ports 3 and 5 (or 1/2).

#### ELECTRICAL CONNECTION

**Before any intervention, turn off the electrical current to power off the components.**

All screw terminals must be tightened to the appropriate torque prior to operation.

Make the connection to earth for versions > 48 V.

• **IP65-sealed integral pilot version (fig. A) :**  
Mount the coil on the tube (rotatable through 360°) and then the removable ISO 4400/EN 175101-803A connector (cable dia 6-10 mm) rotatable by 90° (3 pins: 2 + earth).

• **Version with solenoid heads with ASCO interface:**  
See additional installation instructions supplied with every solenoid head.

• **Version with CNOMO pad mounting:** See additional installation instructions supplied with every pilot valve.

• **General recommendations:**  
Electrical connections must be made by qualified personnel and according to applicable local standards and regulations. Caution:

- Depending on the voltage, electrical components must be grounded according to local standards and regulations.

Most valves are equipped with coils designed for continuous duty. To prevent the risk of personal injury, do not touch the solenoid operator which can become hot under normal operating conditions. If the valve is easily accessible, the installer must provide for protection against accidental contact of the solenoid operator.

#### MAINTENANCE

**⚠ Prior to any maintenance work or putting into operation, power off, depressurise and vent the valve to prevent the risk of personal injury or damage to equipment.**

**ATEX versions: Strictly follow all procedures recommended by Directive 99/92/EC and associated standards.**

• **Cleaning**

Maintenance of the valves depends on the operating conditions. They must be cleaned at regular intervals. During servicing, the components must be checked for excessive wear. The components must be cleaned when a slowing down of the cycle is noticed even though the pilot pressure is correct or if any unusual noise or a leak is detected.

• **Sound emission**

The emission of sound depends on the application, medium and type of equipment used. The exact determination of the sound level can only be made by the user having the valve installed in his system.

• **Preventive maintenance**

- Operate the valve at least once a month to check its function.

- If problems arise during maintenance or in case of doubt, please contact ASCO Numatics or one of its authorised representatives.

• **Troubleshooting**

- Incorrect outlet pressure: Check the pressure on the supply side of the valve; it must correspond to the values indicated on the nameplate.

**Caution: observe the minimum pilot pressure value of 2 bar.**

To avoid personal injury or damage to equipment, check that the valve operates correctly before putting it back into operation.

• **Spare parts**

Coils are available as spare parts.

If necessary, replace the entire valve.

502588-001 / A Availability, design and specifications are subject to change without notice. All rights reserved.

<b>ASCO</b>	<b>INSTRUCTIONS DE MISE EN SERVICE ET D'ENTRETIEN</b> Distributeurs monostables SERIE 553 pour applications de sécurité corps aluminium ou acier inox, taraudé 1/2 - NAMUR, conforme à la norme CEI 61508 (agrément "SIL")	<b>3/2 NF</b> <b>5/2</b>	<b>FR</b>
-------------	---	-----------------------------	-----------

#### DESCRIPTION DE LA CERTIFICATION

Versions concernées par cette certification, suffixe SL :  
Séries 553 exclusivement, corps aluminium ou acier  
inox, monostable (rappel ressort), version 3/2 NF (nor-  
malement fermée) ou 5/2, versions étanches par rapport  
à l'atmosphère. Versions sans commande manuelle ou  
avec commande manuelle à impulsion :

- à raccordement taraudé 1/2 (Ne pas raccorder l'alimenta-  
tion de pression à l'orifice 3 d'échappement. La construction  
"étanche à l'atmosphère" n'est pas adaptée pour la fonction  
"distributrice" et une utilisation en fonction NO. Fonctions  
disponibles en version spécifique, nous consulter)

- à plan de pose suivant recommandation type NAMUR  
pour adaptation directe sur actionneur pneumatique simple  
effet (fonction 3/2 NF) ou double effet (fonction 5/2). Un  
même distributeur s'adapte aux deux types de commande  
par mise en place à la partie inférieure de l'une des deux  
plaques interface 3/2 NF ou 5/2 fournies (fig. C et D, rep. 1a  
et 1b). (Ne pas raccorder l'alimentation de pression à l'orifice  
3 d'échappement. La construction "étanche à l'atmosphère"  
n'est pas adaptée pour la fonction NO. Fonction disponible  
en version spécifique, nous consulter)

Toute autre utilisation d'un autre produit est proscrite et  
ne fait pas partie de cette certification.

La norme CEI 61508 décrit un ensemble d'exigences générales  
pour chaque phase du cycle de vie des systèmes de sécurité.  
L'analyse de la fiabilité réalisée par EXIDA a démontré que  
ces distributeurs et électrodistributeurs peuvent être  
utilisés dans un système de gestion de la sécurité (SRS)  
jusqu'à et incluant le niveau SIL 2 avec un HFT = 0 et jusqu'à  
et incluant le niveau SIL 3 avec un HFT = 1 avec le niveau  
de HFT requis basé suivant la route 2H conformément à la  
norme CEI 61508-2 : 2010.

La synthèse des résultats d'essais et les données de fiabilité  
est donnée en pages 35 et 36 de ce document.  
Pour l'installation, la maintenance, la mise à l'épreuve et  
la mise en service de ces vannes, il est préconisé d'utiliser  
le manuel de sécurité (V9629) mis à disposition sur le site  
internet «www.asconumatics.eu». En fonction de la classe  
SIL déterminée, ils prescrivent les mesures requises vis à vis  
de l'autorité, les qualifications et l'indépendance du personnel  
impliqué. Toutes les indications et prescriptions contenues  
dans les instructions générales d'installation et de maintenance  
constituent la base de ces documents supplémentaires. Afin  
de garantir la fiabilité, il convient également d'observer les  
prescriptions complémentaires mentionnées ci-après.

- Raccorder les tuyauteries suivant les fonctions souhaitées en  
tenant compte des repères d'orifices marqués sur le produit  
et dans cette documentation.

- Veiller à ce qu'aucun corps étranger ne pénètre dans le circuit  
afin d'éviter tout blocage de la vanne. Limiter l'utilisation de  
ruban ou pate d'étanchéité.

- Ces distributeurs et électrodistributeurs doivent être utilisés  
que sur air, propre et sec, ou un gaz neutre. Filtration minimale  
recommandée 50 microns. Le point de rosée du fluide utilisé  
à la pression atmosphérique doit être au minimum de -20°C  
(36°F) en dessous de la température minimale à laquelle le  
fluide peut être soumis. En cas d'utilisation d'air lubrifié, le  
lubrifiant doit être compatible avec les élastomères utilisés.  
La qualité "air instrument" définie par la norme ANSI/ISA 7.3  
(1975) est supérieure aux exigences requises et constitue de  
fait, un "media" acceptable pour ces vannes.

- Protéger les orifices d'échappement des distributeurs et  
des pilotes au moyen des protecteurs d'échappement en  
acier inox délivrés avec chaque produit (voir rep. 3). Dans le  
cas préférentiel d'utilisation de tuyauterie, les protéger par  
un/des filtre(s) adapté(s). Pour le distributeur, raccorder ces  
protecteurs au port 3 (3/2 NF) ou aux ports 3 - 5 (5/2). La  
fiabilité de la vanne ne sera pas garantie en cas d'utilisation  
d'un moyen de protection des échappements différent que  
ceux fournis. Nous contacter ou nos représentants officiels.

- Plage de pression maximale de fonctionnement :

2 à 10,4 bar

2 à 8 bar (195-LISC)

⚠ Dans le cas d'un produit équipé d'une commande

manuelle à verrouillage, la fonction de sécurité du  
produit n'est plus assurée lorsqu'elle est activée.  
Ne pas oublier de la déverrouiller pour remettre le produit  
dans sa configuration de sécurité.

#### DESCRIPTION GENERALE

Versions ATEX 94/9/CE :

Voir "conditions spéciales pour une utilisation sûre".

Versions étanches par rapport à l'atmosphère : Les com-  
posants internes du distributeur sont isolés de l'atmosphère  
extérieure, le protégeant ainsi de tout environnement agressif.  
Tous les orifices d'échappements étant canalissables, ils assurent  
une meilleure protection de l'environnement, particulièrement  
recommandée pour les installations en zones sensibles telles  
que salles blanches, industries pharmaceutiques ou agro-  
alimentaires. Il est nécessaire de canaliser ou d'équiper les  
échappements pour protéger les composants internes du  
distributeur dans le cas d'utilisation à l'extérieur ou en envi-  
ronnement difficile (poussières, liquides ou autres agents).

CONDITIONS SPECIALES POUR UNE UTILISATION SURE

ATEX 94/9/CE : Le distributeur doit être relié à la terre (réf. F).

Conditions de stockage : à l'abri des intempéries; tempéra-  
ture : - 40°C à +70°C; humidité relative : 95 %

En cas de stockage prolongé avant mise en service, le  
distributeur doit rester dans son emballage d'origine. Les  
éléments de protection des orifices de raccordement et des  
têtes magnétiques doivent rester en place.  
Température ambiante : -25°C (aluminium), -40°C (acier inox)  
à +60°C.

La température maximale du fluide ne doit pas excéder la  
température ambiante.

Après stockage à basse température, les distributeurs doivent  
être remis progressivement à la température ambiante de  
fonctionnement avant la première mise sous pression.

Dans le cas d'utilisation des séries 553 avec pilote intégré,  
en zone 1 groupe IIC, le produit doit être protégé contre  
l'écoulement d'air ambiant et le frotement, afin d'éviter toute  
charge électrostatique sur l'enveloppe en matériau synthé-  
tique. L'utilisation de vêtements secs et/ou le frotement sur  
la surface de la tête magnétique doivent être évitées lors de  
l'installation et la maintenance.

Les distributeurs sont conçus pour les domaines de fonc-  
tionnement indiqués sur la plaque signalétique. Aucune  
modification ne peut être réalisée sur le matériel sans l'accord  
préalable du fabricant ou de son représentant. Ces distribu-  
teurs sont prévus pour fonctionner sur air ou gaz neutres  
filtrés. Ne pas dépasser la pression maximale admissible  
8/10,4 bar. Respecter la valeur minimale de pression de  
pilotage de 2 bar. La mise en service et l'entretien de ces  
produits doivent être réalisés par un personnel compétent.

• Versions à commande pneumatique standard IP65 ou  
prévues pour atmosphères explosibles sous forme de gaz,  
vapeurs, brouillards et poussières selon la directive ATEX  
94/9/CE. (Le classement en zone de cette version est défini  
par l'étiquette ATEX, rep.E2).

E2/Mode de protection: II 2GD IIC X Ta 60°C T85°C (T6)  
Le respect des exigences essentielles en ce qui concerne  
la sécurité et la santé est assuré par la conformité à la  
norme européenne EN 13463-1.

• Versions à commande électropneumatique équipées de  
têtes magnétiques :

- étanches IP65 ou

- certifiées pour atmosphères explosibles selon Directive

ATEX 94/9/CE

• Versions à pilote intégré, standard IP 65 ou pour atmos-  
phères explosibles II 3D IP65 ou ATEX Ex m, em.

• Versions têtes magnétiques selon plan de pose ASCO,  
standard IP65 ou pour atmosphères explosibles, II 3D IP65  
ou ATEX/IECEx Ex d, m, em, ia.

• Versions à pilotes, selon plan de pose CNOMO E06.05.80  
(taille 30) ou CNOMO E06.36.120N (taille 15), standard  
IP 65 ou montage de pilotes pour atmosphères explosibles  
ATEX, Ex d ou Ex ia.

Attention (pilotes CNOMO) : Le placement en zones (ATEX  
1999/92/CE), est défini prioritairement par le marquage indi-  
qué sur l'étiquette (rep.E2) placée sur le corps du distributeur.

<b>ASCO</b>	<b>INSTRUCTIONS DE MISE EN SERVICE ET D'ENTRETIEN</b> Distributeurs monostables SERIE 553 pour applications de sécurité corps aluminium ou acier inox, taraudé 1/2 - NAMUR, conforme à la norme CEI 61508 (agrément "SIL")	<b>3/2 NF</b> <b>5/2</b>	<b>FR</b>
-------------	---	-----------------------------	-----------

E2/Mode de protection:II 2GD IIC X Ta 60°C T85°C (T6)

Prendre en compte la catégorie, les pressions de fonc-  
tionnement et la température la moins favorable lors d'un  
assemblage avec un pilote ATEX 94/9/CE. Le respect des  
exigences essentielles en ce qui concerne la sécurité et la  
santé est assuré par la conformité à la norme européenne EN  
13463-1. Respecter le sens de montage des pilotes indiqué  
par les figures 5/6/7/8/10 et les couples de serrage indiqués.

Pour les têtes magnétiques et pilotes ATEX 94/9/CE, suivre  
impérativement les prescriptions d'utilisation décrites  
dans chaque notice de mise en service spécifique fournie  
avec le produit.

#### MONTAGE

⚠ Versions ATEX 94/9/CE : S'assurer que toutes les parties  
métalliques ou conductrices soient toujours interconnectées et  
reliées à la terre. La liaison à la terre du corps de distributeur  
se fait par montage de la vis de fixation (rep. F).  
Les distributeurs peuvent être montés dans n'importe quelle position.

• Versions taraudés (1/2) (fig. A, B) :  
Monter le distributeur à l'aide de deux vis (rep. F), non fournies.

• Versions à plan de pose NAMUR (fig. C, D) :  
Avant montage du distributeur sur l'actionneur, adapter  
l'appareil à la fonction souhaitée :

- Sélectionner la plaque interface correspondant à la fonction  
nécessaire 3/2 NF ou 5/2 (rep.1a ou 1b).
- S'assurer de la présence et de la mise en place correcte du  
joint de forme (rep.7).
- Assembler la plaque sous le distributeur à l'aide des 2 vis  
fournies, en respectant le sens de montage : le repère de  
fonction doit être placé coté rappel (détrompeur).
- Monter les deux joints toriques (rep.9).
- Placer, si nécessaire, le pion de détrompage sur l'actionneur :
- Sur la plaque 3/2, le trou de détrompage Ø 5 se situe en A3/A1.
- Sur la plaque 5/2, le trou de détrompage Ø 5 se situe en A3/A2.

#### RACCORDEMENT PNEUMATIQUE

Selon la version 3/2 NF ou 5/2, un ou deux protecteurs  
d'échappement en acier inox, à adapter systématiquement,  
sont fournis avec chaque produit.

• Raccordement du pilotage version pneumatique :  
G 1/4 ou NPT 1/4.

• Raccordement des échappements de pilotage  
- Raccorder l'orifice d'échappement Ø M5, G 1/8 ou NPT 1/8.

• Commande manuelle (rep. 10)  
Selon les versions les produits sont fournis sans ou avec  
une commande manuelle à impulsion, pour fonctionne-  
ment hors tension.

• Recommandations générales pour raccordement pneu-  
matique

Soutenir et aligner correctement les tuyauteries pour éviter  
toute contrainte mécanique sur le distributeur. Au serrage,  
ne pas se servir de l'appareil comme d'un levier; Position-  
ner les clés de serrage aussi près que possible du point  
de raccordement. Afin d'éviter toute détérioration, NE PAS  
TROP SERRER les raccords des tuyauteries.

• Versions taraudés 3/8-1/2 (fig. A, B) :

Raccordement du distributeur :  
Raccorder les tuyauteries en fonction des repères indiqués  
sur l'étiquette.

- Fonction 3/2 NF :  
Arrivée de pression par l'orifice 1 (1/2). Utilisation par  
l'orifice 2. Echappement par l'orifice 3 (1/2)

- Fonction 5/2 :  
Arrivée de pression par l'orifice 1. Utilisation par les orifices 2 et 4.  
Les échappements sont canalisés vers les orifices 3 et 5.

• Versions à plan de pose NAMUR (fig C, D) :

Raccordement du distributeur :  
Raccorder les tuyauteries en fonction des repères indiqués  
sur l'étiquette.

- Fonction 3/2 NF :  
Arrivée de pression par l'orifice 1 (1/2). Utilisation par  
l'orifice 2. Echappement par l'orifice 3 (1/2)

L'échappement des chambres des ressorts de rappel de  
l'actionneur simple effet est canalisé au travers du distri-  
buteur vers l'orifice 3 raccordable. Il est recommandé de  
protéger l'orifice 5 (non utilisé) tout en évitant de l'obtenir.

- Fonction 5/2 :  
Arrivée de pression par l'orifice 1 (1/2). Utilisation par les ori-  
fices 2 et 4. Les échappements de l'actionneur sont canalisés  
au travers du distributeur vers les orifices 3 et 5 (1/8).

#### RACCORDEMENT ELECTRIQUE

Avant toute intervention, couper l'alimentation électrique  
pour mettre hors tension les composants.

Toutes les bornes à vis doivent être serrées au couple de serrage  
approprié avant la mise en service.

Effectuer la connexion à la terre pour les versions > 48 V.

• Version étanche IP65, pilote intégré : (fig. A)  
Adapter la bobine sur le tube (orientable sur 360°) puis le  
connecteur débrochable ISO 4400/EN 175101-803A (câble  
Ø6-10 mm), orientable par 90° x 90° (3 broches : 2 + masse).

• Versions à têtes magnétiques interface ASCO : Se référer  
à la notice d'installation complémentaire fournie avec  
chaque tête magnétique.

• Version à plan de pose CNOMO : Se référer à la notice  
d'installation complémentaire fournie avec chaque pilote.

• Recommandations générales  
Le raccordement électrique doit être réalisé par un personnel  
qualifié et selon les normes et règlements en vigueur.

Attention :

- Selon la tension, les composants électriques doivent être mis  
à la terre conformément aux normes et règlements locaux.  
La plupart des électrodistributeurs comportent des bobin-  
ages prévus pour mise sous tension permanente. Pour  
éviter toute brûlure, ne pas toucher la tête magnétique qui,  
en fonctionnement normal et en permanence sous tension,  
peut atteindre une température élevée. Si l'électrodistribu-  
teur est facilement accessible, l'installateur doit prévoir une  
protection de la tête magnétique.

#### ENTRETIEN

⚠ Avant toute opération d'entretien ou de remise en marche,  
couper l'alimentation du distributeur, dépressuriser et purger,  
pour prévenir tout risque d'accident corporel ou matériel.

Versions ATEX : Suivre impérativement lors de la phase  
de maintenance les recommandations de la directive  
99/92/CE et normes associées.

• Nettoyage  
L'entretien des distributeurs varie suivant leurs conditions  
d'utilisation. Si nécessaire procéder à un nettoyage péri-  
odique. Lors de l'intervention, les composants doivent être  
examinés pour détecter toute usure excessive. Un nettoyage  
est nécessaire lorsqu'on observe un ralentissement de la  
cadence alors que la pression de pilotage est correcte ou  
lorsqu'un bruit anormal ou une fuite est constaté.

• Bruit de fonctionnement  
L'utilisateur ne pourra déterminer avec précision le niveau  
sonore émis qu'après avoir monté le composant sur l'instal-  
lation. Le bruit de fonctionnement varie selon l'utilisation, le  
fluide et le type de matériel.

• Entretien préventif  
- Faire fonctionner le distributeur au moins une fois par mois  
pour vérifier son ouverture et sa fermeture.

- En cas de problème lors du montage/entretien ou en cas  
de doute, nous contacter ou nos représentants officiels.

• Conseils en dépannage  
- Pression de sortie incorrecte : Vérifier la pression à l'entrée  
du distributeur, elle doit correspondre aux valeurs admises  
sur l'étiquette d'identification.

Attention, respecter les valeurs minimales de pression de  
pilotage : 2 bar

Pour prévenir tout risque d'accident corporel ou matériel,  
vérifier que le distributeur fonctionne correctement avant de  
le remettre en service.

• Rechange  
La bobine est proposée en pièce de rechange. Si nécessaire,  
changer le distributeur complet.



<b>ASCO</b>	<b>INSTALLATIONS-UND WARTUNGSANWEISUNGEN</b> Monostabile Magnetventile der Baureihe 553 für Sicherheitsanwendungen Gehäuse aus Aluminium oder Edelstahl, 1/2"-Gewinde - NAMUR, - entsprechend der IEC-Norm 61508 (SIL-Zulassung)	<b>3/2 NC</b> <b>5/2</b>	<b>DE</b>
-------------	---	-----------------------------	-----------

#### BESCHREIBUNG DER ZERTIFIZIERUNG

Von der Zertifizierung betroffene Ausführungen, Zusatz SL: Ausschließlich Baureihe 553, Gehäuse aus Aluminium oder Edelstahl, monostabil (Federrückstellung), 3/2-Version NC (normal geschlossen) oder 5/2, gegen Atmosphäre abgedichtete Versionen, Versionen ohne Handhilfsbetätigung oder mit impulsbetätigter Handhilfsbetätigung;

- mit 1/2"-Gewindeanschluss (Der Druckanschluss ist nicht am Entlüftungsanschluss 3 anzuschließen. Die "hermetisch abgedichtete" Ausführung ist nicht für eine "verteilende" Funktion oder Verwendung in NO-Funktion ausgelegt. Funktionen in Sonderausführungen auf Anfrage.)

- mit **Aufflanschbild gemäß NAMUR** für die direkte Montage auf einfachwirkende (Funktion 3/2 NC) oder doppelwirkende (Funktion 5/2) Pneumatik-Antriebe. Das Ventil lässt sich wahlweise auf die Funktion NC 3/2 oder 5/2 umstellen durch Montage einer der entsprechenden im Lieferumfang enthaltenen Adapterplatten auf der Unterseite des Ventils (Abb. C, D, Nr. 1a und 1b). (Der Druckanschluss ist nicht am Entlüftungsanschluss 3 anzuschließen. Die "hermetisch abgedichtete" Ausführung ist nicht für die NO-Funktion ausgelegt. Funktionen in Sonderausführungen auf Anfrage.)

**Jegliche Verwendung eines anderen Produkts ist untersagt und nicht Teil dieser Zertifizierung.**

Die IEC-Norm 61508 legt eine Anzahl von allgemeinen Anforderungen für ein Sicherheitssystem in allen Phasen seines Lebenszyklus fest. Die vom TÜV durchgeführte Zuverlässigkeitsanalyse konnte für diese Ventile eine Einsatzfähigkeit in einem Sicherheitsmanagementsystem (SMS) bis zur Sicherheitsstufe SIL 2 mit einer Hardwarefehleranzahl HFT = 0 und bis einschließlich Sicherheitsstufe SIL 3 mit einer HFT = 1 nachweisen, wobei die erforderliche HFT auf den Konformitätspfad 2H entsprechend der Norm IEC 61508-2:2010 basiert.

Eine Zusammenfassung der Testergebnisse sowie die Zuverlässigkeitsangaben sind auf den Seiten 35 und 36 gegeben. Für die Installation, Wartung, Funktionsprüfung und Inbetriebnahme der Ventile ist das Sicherheitshandbuch (V9629) unter [www.asconumatics.eu](http://www.asconumatics.eu) heranzuziehen. Alle in den allgemeinen Installations- und Wartungsanleitungen enthaltenen Angaben und Vorschriften bilden die Grundlage für die oben erwähnten Unterlagen. Um die Zuverlässigkeit zu garantieren, sind die nachstehend erwähnten ergänzenden Vorschriften ebenfalls einzuhalten.

- Die Verrohrung ist entsprechend der gewünschten Funktion und der Kennzeichnung der Anschlüsse auf dem Produkt und gemäß dieser Anleitung vorzunehmen.

- Es ist darauf zu achten, dass keine Fremdkörper in das Ventil gelangen, um ein Blockieren der Ventilkonstruktion zu vermeiden. Verwenden Sie Dichtungsband oder -mittel nur spärlich.

- Die Ventile sind nur mit sauberer und trockener Luft oder mit neutralem Gas zu betreiben. Empfohlene Mindest-Filterfeinheit: 50 Mikron. Der Taupunkt des verwendeten Mediums muss mindestens -20°C (36°F) unterhalb der für das Medium zulässigen Mindesttemperatur liegen. Bei der Verwendung geölter Luft ist die Beständigkeit der verwendeten Dichtungsmaterialien zu überprüfen. Die durch die ANSI/ISA-Norm S7.3 (1975) festgelegte Qualität von Instrumentenluft übersteigt die erforderlichen Anforderungen und ist somit für diese Ventile zulässig.

- Alle Entlüftungsanschlüsse der Magnet- und Pilotventile sind mit den mitgelieferten Schalldämpfern aus Edelstahl (siehe Nr. 3) zu schützen. Im Falle einer Verrohrung sind die Ventile mit einem geeigneten Filter zu versehen. Die Schalldämpfer sind am Anschluss 3 (3/2 NC) oder an den Anschlüssen 3 - 5 (5/2) der Ventile anzuschließen. Bei Verwendung eines anderen Entlüftungsschutzes als die mitgelieferten Schalldämpfer ist die Zuverlässigkeit der Ventile nicht mehr gewährleistet. In diesem Fall ist mit ASCO oder einem seiner Vertreter Rücksprache zu halten.

- Max. Betriebsdruck:  
- 2 bis 10,4 bar  
- 2 bis 8 bar (195-LISC)

**⚠ Im Falle, dass das Produkt mit einer verriegelbaren Handhilfsbetätigung ausgestattet ist, ist die Sicherheitsfunktion in der verriegelten Stellung nicht gewährleistet. Zur Herstellung der Sicherheitsfunktion ist darauf zu achten, dass die Verriegelung der Handhilfsbetätigung gelöst ist.**

#### BESCHREIBUNG

**Ausführungen nach ATEX 94/9/EG:** Siehe „Besondere Bedingungen für den sicheren Einsatz“; **Hermetisch gegen Atmosphäre abgedichtete Ausführungen:** Die Innenteile des Wegeschiebers sind hermetisch gegen Atmosphäre abgedichtet und somit vor dem Eindringen von aggressiven Medien geschützt. Die Entlüftungsanschlüsse können zum Schutz der Umgebung gefasst und abgeführt werden; dies wird insbesondere für Anlagen in empfindlichen Bereichen (z.B. in Labors oder der Pharma- und Nahrungsmittelindustrie) empfohlen. Bei einem Einsatz im Freien oder unter schwierigen Bedingungen (Staub, aggressive Medien oder andere Schutzpartikel) ist es notwendig, die Entlüftungsanschlüsse entweder zu fassen und abzuführen oder mit einem Schutz (z.B. Schalldämpfer) zu versehen, um die Innenteile des Wegeschiebers zu schützen.

#### BESONDERE BEDINGUNGEN FÜR DEN SICHEREN EINSATZ

ATEX 94/9/EC: Nach Masse muss das Ventil angeschlossen werden (Abb. F).

Lagerbedingungen: geschützt/lager; Temperatur: -40 C bis +70°C; relative Feuchtigkeit: 95 %

Wenn der Ventil vor Inbetriebnahme länger gelagert wird, sollte er in der Originalverpackung aufbewahrt werden. Die Schutzabdeckungen an den Anschlussöffnungen und Magnetköpfen sollen nicht entfernt werden.

Zimmertemperatur: -25°C (Aluminium), -40°C (Edelstahl) bis +60°C Die maximale Temperatur der Flüssigkeit hat die Umgebungstemperatur nicht übersteigt.

**Nach einer Lagerung bei niedriger Temperatur müssen die Ventile vor der Druckbeaufschlagung nach und nach an die Betriebstemperatur angepasst werden.**

Falls die Serie 553 mit integriertem Pilot in Zone 1, Gruppe IIC verwendet wird, muss das Produkt vor Umgebungsluftströmung und Reibung geschützt werden, um eine elektrostatische Aufladung des Kunststoffgehäuses zu verhindern. Das Tragen trockener Kleidung und/oder Reiben auf der Oberfläche des Magnetkopfs sollte während Installation und Wartung vermieden werden.

Die Ventile sind für den Betrieb innerhalb der auf den Typenschildern angegebenen Daten ausgelegt. Änderungen an den Produkten dürfen nur nach vorheriger Zustimmung des Herstellers oder einem seiner ordnungsgemäß ermächtigten Vertreter vorgenommen werden. Die Ventile sind für den Betrieb mit **neutralen Gas oder Luft, gefiltert, ausgelegt**. Der max. zulässige Ventildruck von 8/10,4 bar darf nicht überschritten werden. Beachten Sie den Mindeststaedruck von 2 bar. Der Einbau und die Wartung des Ventils ist von Fachpersonal auszuführen.

• **Pneumatisch betätigte Ausführungen**, IP65 als Standard, oder Ausführungen in Übereinstimmung mit der **ATEX-Richtlinie 94/9/EG** für den Einsatz in durch Gase, Dämpfe, Nebel und/oder Stäube verursachten explosionsfähigen Atmosphären. (Die Zoneneinteilung für diese Version wird auf dem ATEX-Etikett, Nr. E2, angegeben.)

E2/Schutzart: II 2GD IIC X Ta 60°C T85°C (T6)

Die Einhaltung der grundlegenden Gesundheits- und Sicherheitsanforderungen wird durch die Übereinstimmung mit den Europäischen Normen **EN 13463-1** gewährleistet.

• **Elektropneumatisch angesteuerte Ausführungen** mit Magnetköpfen:

- Dichte Ausführung nach IP65 oder  
- nach der ATEX-Richtlinie 94/9/EG für explosionsfähige Atmosphären zugelassene Ausführung

• **Ausführung mit integriertem Pilotventil**, IP65 als Standard, oder für den Einsatz in explosionsfähigen Atmosphären gemäß II 3D IP65 oder gemäß ATEX Ex m, em zugelassen.

• **Ausführungen mit Magnetköpfen mit ASCO-Anschlussbild**, IP65 als Standard, oder für den Einsatz in explosionsfähigen Atmosphären gemäß II 3D IP65 oder gemäß ATEX/IECEx Ex d, m, em, ia zugelassen.

• **Ausführungen mit Pilotventilen mit Aufflanschbild gemäß CNOMO E06.05.80 (Größe 30) oder CNOMO E06.36.120N (Größe 15)**, IP65 als Standard, oder Montage von Pilotventilen für den Einsatz in explosionsfähigen Atmosphären gemäß ATEX Ex d oder Ex ia zugelassen.

**Wichtiger Hinweis (CNOMO-Pilotventile):** Der Einsatz in den Zonen (ATEX 1999/92/EG) richtet sich in erster Linie nach den Angaben auf dem Etikett (Nr. E2) am Gehäuse

<b>ASCO</b>	<b>INSTALLATIONS-UND WARTUNGSANWEISUNGEN</b> Monostabile Magnetventile der Baureihe 553 für Sicherheitsanwendungen Gehäuse aus Aluminium oder Edelstahl, 1/2"-Gewinde - NAMUR, - entsprechend der IEC-Norm 61508 (SIL-Zulassung)	<b>3/2 NC</b> <b>5/2</b>	<b>DE</b>
-------------	---	-----------------------------	-----------

#### des Wegeventils.

E2/Schutzart: II 2GD IIC X Ta 60°C T85°C (T6)

**Beim Zusammenbau mit einem Pilotventil nach ATEX 94/9/EG sind die ungünstigste Kategorie und Temperatur sowie die ungünstigsten Betriebsdrücke anzunehmen.** Die Einhaltung der grundlegenden Gesundheits- und Sicherheitsanforderungen wird durch die Übereinstimmung mit den Europäischen Normen **EN 13463-1** gewährleistet.

Die in den Abb. 5/6/7/8/10 angegebene Montageposition für die Pilotventile sowie die Anziehdrehmomente sind zu beachten.

**Für die Magnetköpfe und Pilotventile nach ATEX 94/9/EG sind die in den jeweiligen, dem Produkt beigelegten Einbau- und Wartungsanweisungen beschriebenen Einsatzvorschriften zwingend zu befolgen.**

#### EINBAU

**⚠ Ausführungen nach ATEX 94/9/EG:** Alle Metallteile bzw. leitenden Teile sind miteinander zu verbinden und zu erden. Das Ventilgehäuse wird durch die Befestigungsschraube (Nr. F) geerdet. Die Wegeschieber können ohne Beeinträchtigung der Funktion in jeder beliebigen Einbaulage montiert werden.

**1/2"-Gewinde (Abb. A, B):**

Montieren Sie den Wegeschieber mit zwei Schrauben (Nr. F); diese sind nicht im Lieferumfang enthalten.

**Ausführung mit Aufflanschbild gemäß NAMUR (Abb. C, D):**

Vor der Montage des Wegeschiebers auf dem Antrieb ist das Gerät auf die gewünschte Funktion einzustellen:

- Wählen Sie die für die Funktion 3/2 NC oder 5/2 bestimmte Adapterplatte aus (Nr. 1a oder 1b).

- Stellen Sie sicher, dass die Funktionsdichtung vorhanden und korrekt eingelegt ist (Nr. 7).

- Befestigen Sie die Platte unter dem Ventil anhand der beiden mitgelieferten Schrauben. Beachten Sie dabei die Montageanleitung. Die Nummer für die Funktion muss auf der Rückseite (Montagesicherung) platziert sein.

- Montieren Sie die beiden O-Ringe (Nr. 9).

- Platzieren Sie, falls erforderlich, die Montagesicherung auf den Antrieb:

• Bei der 3/2-Platte befindet sich die Montagesicherung Ø 5 bei A3/A1.  
• Bei der 5/2-Platte befindet sich die Montagesicherung Ø 5 bei A3/A2.

#### PNEUMATISCHER ANSCHLUSS

Je nach Version 3/2 NC oder 5/2 sind ein bzw. zwei Schalldämpfer aus Edelstahl im Lieferumfang enthalten, die in jedem Fall zu montieren sind.

• **Anschluss der pneumatisch betätigten Ansteuerung**

- G 1/4 oder NPT 1/4.

• **Anschluss der Vorsteuerentlüftungen**

- Entlüftungsanschluss OM5, G 1/8 oder NPT 1/8 anschließen.

• **Handhilfsbetätigung (Nr. 10)**

Je nach Ausführung werden die Produkte für den spannungslosen Betrieb **ohne Handbetätigung oder mit impulsbetätigter Handbetätigung** geliefert.

• **Allgemeine Empfehlungen für den pneumatischen Anschluss** Die Rohrleitungen sind ordnungsgemäß abzustützen und anzuordnen, um eine mechanische Fehlbeanspruchung des Wegeschiebers zu vermeiden. Das Ventil darf nicht als Gegenhalter benutzt werden. Das Werkzeug ist so nahe wie möglich am Anschlusspunkt anzusetzen. Um Schäden zu vermeiden, dürfen die Rohrverbindungen nicht zu stark angezogen werden.

• **1/2"-Gewindeanschluss (Abb. A, B):**

**Anschluss des Wegeschiebers:** Die Verrohrung ist entsprechend den Hinweisen auf dem Etikett anzuschließen.

- **Funktion 3/2 NC:**

Druckbeaufschlagung über Anschluss 1 (1/2). Verbraucher über Anschluss 2. Entlüftung über Anschluss 3 (1/2).

- **Funktion 5/2:**

Druckbeaufschlagung über Anschluss 1. Verbraucher über Anschlüsse 2 und 4. Die Entlüftungen sind in den Anschlüssen 3 und 5 zusammengefasst.

• **Ausführungen mit Aufflanschbild gemäß NAMUR (Abb. C, D):**

**Anschluss des Wegeschiebers:**

Die Verrohrung ist entsprechend den Hinweisen auf dem Etikett anzuschließen.

- **Funktion 3/2 NC:**

Druckbeaufschlagung über Anschluss 1 (1/2). Verbraucher über Anschluss 2. Entlüftung über Anschluss 3 (1/2).

Die Entlüftung der Rückstellfederkammern des einfachwirkenden Antriebs ist im anschließbaren Anschluss 3 des Wegeschiebers zusammengefasst. Es wird empfohlen, den (nicht verwendeten) Anschluss 5 mit einem Schutz zu versehen, **ohne dabei den Anschluss zu verschließen.**

- **Funktion 5/2:**

Druckbeaufschlagung über Anschluss 1 (oder 1/2). Verbraucher über Anschlüsse 2 und 4. Die Entlüftungen sind in den Anschlüssen 3 und 5 (oder 1/2) zusammengefasst.

#### ELEKTRISCHER ANSCHLUSS

**Vor Beginn jeglicher Arbeiten ist sicherzustellen, dass die Komponenten spannungslos geschaltet sind.**

Alle Schraubklemmen sind vor der Inbetriebnahme mit dem entsprechenden Drehmoment anzuziehen.

Stellen Sie die Verbindung zur Erde für die Versionen > 48 V.

• **Wasserdichte Ausführung IP65** mit integrierter Vorsteuerung (Abb. A): Magnet am Führungsrohr montieren (um 360° umsetzbar) und anschließend die abnehmbare Leitungsdose nach ISO 4400/EN 175301-803A (Kabel-Ø: 6 mm), um 90° umsetzbar (3 Pins: 2 = Erde).

• **Ausführung mit Magnetköpfen mit ASCO-Anschlussbild:** Siehe die zusätzlichen, jedem Magnetkopf beigelegten Installationsanweisungen.

• **Ausführung mit CNOMO-Anschlussbild:** Siehe die zusätzlichen, jedem Pilotventil beigelegten Installationsanweisungen.

• **Allgemeine Empfehlungen**

Der elektrische Anschluss ist von Fachpersonal entsprechend den geltenden Normen und Richtlinien auszuführen.

**ACHTUNG:**

- Je nach Spannungsbereich müssen elektrische Komponenten einen Schutzleiteranschluss entsprechend den jeweils vor Ort geltenden Normen und Vorschriften erhalten.

Die meisten Ventile sind mit Magneten für Dauerbetrieb ausgerüstet. Zur Vermeidung von Personen- und Sachschäden sollte jede Berührung mit dem Magnet vermieden werden, da dieser bei längerem Betrieb heiß werden kann. Bei leicht zugänglichem Magnetventil sollte vom Installateur ein Schutz vorgesehen werden, um jegliches versehentliches Berühren zu vermeiden.

#### WARTUNG

**⚠ Um Personen- und Sachschäden zu vermeiden, muss vor der Wartung oder Inbetriebnahme die Versorgung des Ventils unterbrochen sowie das Ventil drucklos geschaltet und entlüftet werden.**

**Ausführungen nach ATEX:** Bei der Wartung sind die Bestimmungen der Richtlinie 99/92/EG und zugehörige Normen zwingend einzuhalten.

**Ausführungen nach ATEX:** Bei der Wartung sind die Bestimmungen der Richtlinie 99/92/EG und zugehörige Normen zwingend einzuhalten.

• **Reinigung**

Die Wartung der Ventile hängt von den jeweiligen Einsatzbedingungen ab. Sie sollten in regelmäßigen Abständen gereinigt werden.

Während des Reinigungsvorgangs sollten alle Teile auf Verschleiß untersucht werden. Eine Reinigung ist notwendig, wenn sich die Schallfrequenz bei korrektem Vorsteuerdruck verlangsamt oder wenn ungewöhnliche Geräusche oder Undichtigkeiten festgestellt werden.

• **Geräuschemission**

Diese hängt sehr stark vom Anwendungsfall, den Betriebsdaten und dem Medium, mit denen das Produkt beaufschlagt wird, ab. Eine Aussage über die Geräuschemission des Produktes muss deshalb von demjenigen getroffen werden, der das Produkt innerhalb einer Maschine in Betrieb nimmt.

• **Vorbeugende Wartung**

- Setzen Sie das Ventil zur Überprüfung der Öffnungs- und Schließfunktion mindestens einmal im Monat in Betrieb.

- Treten Schwierigkeiten beim Einbau oder bei der Wartung auf sowie bei Unklarheiten ist mit ASCO Numatics oder deren zugelassenen Vertretern Rücksprache zu halten.

• **Fehlerbeseitigung**

- Falscher Ausgangsdruck: Überprüfen Sie den Druck am Eingang des Ventils; er muss mit den zulässigen Werten auf dem Typenschild übereinstimmen.

- Beachten Sie den **Mindeststeuerdruck** von 2 bar.

Um Personen- und Sachschäden zu vermeiden, prüfen Sie vor der Wiedereinbetriebnahme die richtige Funktionsweise des Ventils.

• **Ersatzteile**

Die Magnetspule ist als Ersatzteil erhältlich.

Tauschen Sie, falls erforderlich, das gesamte Ventil aus.

<b>ASCO</b>	<b>INSTRUCCIONES DE PUESTA EN MARCHA Y MANTENIMIENTO</b> Distribuidores monoestables SERIE 553 para aplicaciones de seguridad cuerpo aluminio o acero inoxidable, rosca 1/2-NAMUR, conforme a la norma CEI 61508 (Acuerdo "SIL")	<b>3/2 NC</b> <b>5/2</b>	<b>ES</b>
-------------	---	-----------------------------	-----------

#### DESCRIPCIÓN DE LA CERTIFICACIÓN

Versiones afectadas por esta certificación :  
Serie 553 exclusivamente, cuerpo de aluminio o acero inoxidable, monoestable (retorno resorte), versión 3/2 NC (normalmente cerrada) o 5/2, versiones estancas con respecto a la atmósfera. Versiones sin mando manual o con mando manual de impulsión :

- con conexión rosca 1/2 (No conectar la alimentación de presión al orificio 3 de escape. La construcción "estanca a la atmósfera" no está adaptada para la función "distribuidora" o utilización en función NA. Funciones disponibles en versión específica, consultar)

- con plano de acoplamiento según recomendación tipo NAMUR para adaptación directa en actuador neumático de simple efecto (función 3/2 NC) o doble efecto (función 5/2). Un mismo distribuidor se adapta a los dos tipos de mando mediante la colocación en la parte inferior de una de las dos placas interface 3/2 NC o 5/2 previstas (fig. C, D, ref. 1a y 1b). (No conectar la alimentación de presión al orificio 3 de escape. La construcción "estanca a la atmósfera" no está adaptada para la función NA. Funciones disponibles en versión específica, consultar)

Está prescrita cualquier utilización de otro producto y no forma parte de esta certificación.

La norma CEI 61508 describe un conjunto de exigencias generales para cada fase del ciclo de vida de los sistemas de seguridad. El análisis de la fiabilidad realizado por el TUV ha demostrado que estos distribuidores y electrodistribuidores pueden ser utilizados en un sistema de gestión de la seguridad (SRS) hasta e incluso el nivel SIL 2 con un HFT = 0 y hasta e incluso el nivel SIL 3 con un HFT = 1 con el nivel de HFT requerido basado según la ruta 2H conforme a la norma CEI 61508-2 : 2010.

La síntesis de los resultados de ensayos y los datos de fiabilidad se dan en las páginas 35 y 36 de este documento. Para la instalación, el mantenimiento, la puesta a prueba y la puesta en marcha de estas válvulas, se recomienda utilizar el manual de seguridad (V9629) puesto a disposición en la página de internet [www.asconumatics.eu](http://www.asconumatics.eu). Todas las indicaciones y prescripciones contenidas en las instrucciones generales de instalación y de mantenimiento constituyen la base de estos documentos anteriormente mencionados. Con el fin de garantizar la fiabilidad, conviene igualmente observar las prescripciones complementarias mencionadas a continuación.

- Conectar las tuberías según las funciones deseadas teniendo en cuenta las referencias de los orificios marcados en el producto y en esta documentación. (página ...)

- Compruebe que ningún cuerpo extraño penetre en el circuito con el fin de evitar todo bloqueo de la válvula. Limitar la utilización de goma o pasta de estanguidad.

- Estos distribuidores y electrodistribuidores deben ser utilizados solamente con aire limpio y seco, o con un gas neutro. Filtración mínima recomendada 50 micras. El punto de rocío del fluido utilizado debe ser como mínimo de -20°C (36°F) por debajo de la temperatura mínima a la cual el fluido puede ser sometido. En caso de utilización de aire lubricado, el lubricante debe ser compatible con los elastómeros utilizados. La calidad "aire instrumento" definida por la norma ANSI/ISA S7.3 (1975) es superior a las exigencias requeridas y constituye de hecho, una "media" aceptable para estas válvulas.

- Proteger el o los orificios de escape de los distribuidores y de los pilotos por medio de los protectores de escape de acero inoxidable suministrados con cada producto, ver ref. 3. En el caso preferente de utilización de tubería, protegerlas mediante uno de los filtro(s) adaptado(s). Para el distribuidor, conectar estos protectores al puerto 3 (3/2 NC) o a los puertos 3 - 5 (5/2). La fiabilidad de la válvula no será garantizada en caso de utilización de un medio de protección de los escapes diferente a los provistos. Contacte con ASCO o sus representantes oficiales.

- Rango de presión máxima de funcionamiento :  
- 2 a 10,4 bar  
- 2 a 8 bar (195-LISC)

⚠ En el caso de un producto equipado de un mando manual de bloqueo, la función de seguridad del pro-

ducto no está asegurada cuando éste esté activado. No olvidar desbloquearlo para volver a colocar el producto en su configuración de seguridad.

#### DESCRIPCIÓN

Versiones ATEX 94/9/CE :  
Ver "condiciones especiales para una utilización segura".  
Versiones estancas con respecto a la atmósfera : Los componentes internos del distribuidor están aislados de la atmósfera exterior, protegiéndole así de todo entorno agresivo. Todos los orificios de escape son canalizables, por lo que aseguran una mayor protección del entorno, particularmente recomendado para las instalaciones en zonas sensibles como salas blancas, industrias farmacéuticas o agro-alimentarias. Es necesario analizar o equipar los escapes para proteger los componentes internos del distribuidor en el caso de utilización en el exterior o en entorno difícil (polvos, líquidos u otros agentes).

#### CONDICIONES ESPECIALES PARA UNA UTILIZACIÓN SEGURA

ATEX 94/9/CE: El distribuidor debe tener toma a tierra (ref. F). Condiciones de almacenamiento : al abrigo de intemperies; temperatura: -40 C a +70°C ; humedad relativa: 95 %

En caso de almacenamiento prolongado antes de la puesta en marcha, el distribuidor debe permanecer en su embalaje de origen. Los elementos de protección de los orificios de racordaje y de las cabezas magnéticas deben permanecer en su lugar.

Temperatura ambiente: -25°C (aluminio), -40 C (acero inoxidable) a +60°C

La temperatura máxima del fluido no debe exceder la temperatura ambiente.

Después de su almacenamiento a baja temperatura, los distribuidores deben ser puestos progresivamente a la temperatura ambiente de funcionamiento antes de la primera puesta bajo presión.

Si, en la Zona 1, Grupo IIC, se hace uso de la serie 553 con un piloto integrado, el producto debe estar protegido frente a flujos de aire y a la fricción para evitar la carga sobre la carcasa de material sintético. Se debe hacer uso de ropa seca y evitar la fricción sobre la superficie de la cabeza magnética durante la instalación y el mantenimiento.

Los distribuidores están diseñados para los campos de funcionamiento indicados en la placa de características. No puede realizarse ninguna modificación en el material sin el acuerdo previo del fabricante o de su representante. *Estos electrodistribuidores están previstos para funcionar con aire o gases neutros filtrados.* No sobrepasar la presión máxima admisible = 8/10,4 bar. La puesta en marcha y el mantenimiento de estos productos deben ser realizados por personal competente.

• Versiones con mando neumático standard IP65 o previstos para ambientes explosivos bajo forma de gas, vapores, nieblas y polvos según la directiva

ATEX 94/9/CE. (La clasificación por zona de esta versión está definida por la etiqueta ATEX, ref. E2). E2/Modo de protección: II 2GD IIC X Ta 60°C T85°C (T6) El respeto de las exigencias esenciales en lo relativo a seguridad y salud está asegurado por la conformidad a las normas europeas EN 13463-1.

• Versiones con mando electroneumático equipadas de cabezas magnéticas :  
- estancas IP65 o  
- certificadas para ambientes explosivos según Directiva ATEX 94/9/CE

• Versiones con piloto integrado, standard IP 65 o para ambientes explosivos II 3D IP65 o ATEX Ex m, em.

• Versiones con cabezas magnéticas según plano de acoplamiento ASCO, standard IP65 o para ambientes explosivos, II 3D IP65 o ATEX/IECEx Ex d, m, em, ia.

• Versiones con pilotos, según plano de acoplamiento CNOMO E06.05.80 (talla 30) o CNOMO E06.36.120N (talla 15), standard IP 65 o montaje de pilotos para ambientes explosivos ATEX, Ex d o Ex ia.

Atención (pilotos CNOMO) : La colocación en zonas ATEX 1999/92/CE, está definida prioritariamente por el marcaje indicado en la etiqueta (ref. E2) situada en el cuerpo del distribuidor.

<b>ASCO</b>	<b>INSTRUCCIONES DE PUESTA EN MARCHA Y MANTENIMIENTO</b> Distribuidores monoestables SERIE 553 para aplicaciones de seguridad cuerpo aluminio o acero inoxidable, rosca 1/2-NAMUR, conforme a la norma CEI 61508 (Acuerdo "SIL")	<b>3/2 NC</b> <b>5/2</b>	<b>ES</b>
-------------	---	-----------------------------	-----------

E2/Modo de protección: II 2GD IIC X Ta 60°C T85°C (T6)

Tener en cuenta la categoría, rango de presión máxima de funcionamiento y temperatura la menos favorable durante el montaje con un piloto ATEX 94/9/CE. El respeto de las exigencias esenciales en lo relativo a seguridad y salud está asegurado por la conformidad a las normas europeas EN 13463-1.

Respetar el sentido de montaje de los pilotos indicado por las figuras 5/6/7/8/10 y los pares de apriete indicados.

Para las cabezas magnéticas y pilotos ATEX 94/9/CE, seguir imperativamente las prescripciones de utilización descritas en cada hoja de puesta en marcha específica suministrada con el producto.)

#### MONTAJE

⚠ Versiones ATEX 94/9/CE : Comprobar que todas las partes metálicas o conductoras estén siempre interconectadas y unidas a tierra. La unión a tierra del cuerpo de distribuidor se realiza mediante el montaje del tornillo de fijación (ref. F). Los distribuidores pueden montarse en cualquier posición.

Versiones rosca 1/2 (fig. A, B) :

Montar el distribuidor con la ayuda de dos tornillos (ref. F), no provistos.

Versiones con plano de acoplamiento NAMUR (fig. C, D) :

Antes del montaje del distribuidor en el actuador, adaptar el aparato a laprovistos, respetando el sentido de montaje : la referencia de función debe situarse en el lado de retorno (guía)

- Montar las dos juntas tóricas (ref.9).

- Colocar, si fuera necesario, la guía en el actuador :

• En la placa 3/2, el orificio guía Ø 5 se sitúa en A3/A1

• En la placa 5/2, el orificio guía Ø 5 se sitúa en A3/A2

#### RACORDAJE NEUMÁTICO

Según la versión 3/2 NC o 5/2, adaptar sistemáticamente uno o dos protectores de escape de acero inoxidable provistos con cada producto.

• Racordaje del pilotaje versión neumática :

G 1/4 o NPT 1/4.

• Racordaje de los escapes de pilotaje

- Conectar el orificio de escape ØM5, G1/8-NPT1/8

• Mando manual (ref. 10)

Según las versiones los productos están provistos sin o con un mando manual de impulsión, para funcionamiento sin tensión.

• Recomendaciones generales para el racordaje neumático

Conectar las tuberías según las funciones deseadas teniendo en cuenta las referencias de los orificios marcados en el producto y en esta documentación.

Vigilar que ningún cuerpo extraño penetra en el circuito. Sujetar y alinear correctamente las tuberías para evitar toda tensión mecánica en el distribuidor. Al apretar, no utilizar el aparato como si fuera una palanca; Posicionar las llaves de apriete lo mas cerca posible del punto de racordaje. Con el fin de evitar deterioros, NO APRETAR DEMASIADO los racores de las tuberías.

• Versiones rosca 1/2 (fig. A, B) :

• Racordaje del distribuidor : 1/2

Conectar las tuberías en función de las referencias indicadas en la etiqueta.

- Función 3/2 NC :

Entrada de presión por el orificio 1. Utilización por el orificio 2. Escape por el orificio 3

- Función 5/2 :

Entrada de presión por el orificio 1. Utilización por los orificios 2 y 4.

Los escapes están canalizados hacia los orificios 3 y 5.

• Versiones con plano de acoplamiento NAMUR (fig. C, D) :

• Racordaje del distribuidor : 1/2

Conectar las tuberías en función de las referencias indicadas en la etiqueta.

- Función 3/2 NC :

Entrada de presión por el orificio 1. Utilización por el orificio 2. Escape por el orificio 3. Los escapes de los alojamientos de los resortes de retorno del actuador de simple efecto se canalizan a través del distribuidor hacia el orificio 3

racordable. Se recomienda proteger el orificio 5 (no utilizado) siempre evitando su obturación.

- Función 5/2 :

Entrada de presión por el orificio 1. Utilización por los orificios 2 y 4.

Los escapes están canalizados hacia los orificios 3 y 5.

#### CONEXIÓN ELÉCTRICA

Antes de cualquier intervención, corte la alimentación eléctrica para quitar la tensión de los componentes.

Todas las bornas de tornillo deben estar apretadas al par de apriete adecuado antes de la puesta en marcha.

Haga la conexión a la tierra para las versiones > 48 V.

• Versión estanca IP65, piloto integrado (fig. A) : Adaptar la bobina en el tubo (orientable en 360°). Conector desenchufable ISO 4400 / EN 175301-803, form A (se instalarlo correctamente, la classe di protezione di questo connettore è IP65).

• Versión con cabezas magnéticas interface ASCO : Permitirse a la hoja de instalación complementaria provista con cada cabeza magnética.

• Versión con plano de acoplamiento CNOMO : Remitirse a la hoja de instalación complementaria provista con cada piloto.

• Recomendaciones generales

La conexión eléctrica debe ser realizada por personal cualificado y según las normas y reglamentos en vigor.

Atención :

- Según la tensión, los componentes eléctricos deben ser puestos a tierra en conformidad con las normas y reglamentos locales.

La mayoría de los electrodistribuidores llevan bobinados previstos para una puesta bajo tensión permanente. Para evitar quemaduras, no tocar la cabeza magnética la cual, en funcionamiento normal y en permanencia bajo tensión, puede alcanzar una temperatura elevada. Si el electrodistribuidor es de fácil acceso, el instalador debe prever una protección de la cabeza magnética.

#### MANTENIMIENTO

⚠ Antes de realizar cualquier operación de mantenimiento o puesta en marcha, cortar la alimentación del electrodistribuidor, despresurizar y purgar, para evitar accidentes personales o materiales.

Versiones ATEX : Siga imperativamente durante la fase de mantenimiento las recomendaciones de la Directiva 99/92/CE y normas asociadas.

• Limpieza

El mantenimiento de los distribuidores varia con sus condiciones de utilización. Si fuese necesario, realizar una limpieza periódica. Durante la intervención, los componentes deben ser examinados para detectar cualquier desgaste excesivo. Una limpieza es necesaria cuando se observa un ralentizamiento de la frecuencia aunque la presión de pilotaje sea correcta o cuando se percibe un ruido anormal o una fuga.

• Ruido de funcionamiento

El usuario solamente podrá determinar con precisión el nivel sonoro emitido después de haber montado el componente en la instalación. El ruido de funcionamiento varia según la utilización, el fluido y el tipo de material.

• Mantenimiento preventivo

- Hacer funcionar el distribuidor al menos una vez al mes para verificar su apertura y su cierre.

- En caso de problemas durante el montaje/mantenimiento o en caso de duda, contactar con ASCO Numatics o sus representantes oficiales.

• Consejos de reparación

- Presión de salida incorrecta : Comprobar la presión en la entrada del distribuidor, esta debe corresponder a los valores admitidos en la etiqueta de identificación.

Atención, respetar los valores mínimos de presión de pilotaje : 2 bar

Para prevenir cualquier riesgo de accidente personal o material, comprobar que el distribuidor funciona correctamente antes de la puesta en marcha.

• Recambio

La bobina se propone como pieza de recambio. Si fuese necesario, cambiar el distribuidor completo.



<b>ASCO</b>	<b>ISTRUZIONI DI INSTALLAZIONE E MANUTENZIONE</b> Distributori monostabili SERIE 553 per applicazioni di sicurezza corpi in alluminio o in acciaio inox, filettati 1/2-NAMUR, secondo la norma EI 61508 (Suffisso «SL.»)	<b>3/2 NC</b> <b>5/2</b>	<b>IT</b>
-------------	---	-----------------------------	-----------

#### DESCRIZIONE DELLA CERTIFICAZIONE

Versioni interessate dalla presente certificazione:  
Solo Serie 553, corpi in alluminio o acciaio inox, monostabile (molla di ritorno), versione 3/2 NC (normalmente chiusa) o 5/2, versioni stagne all'atmosfera. Versioni senza comando manuale o con comando manuale a impulso:  
- con recordo filettato 1/2 (Non connettere l'ingresso della pressione alla porta di scarico 3. La costruzione "a protezione dell'ambiente" non è adatta da una funzione di "distribuzione" o a un impiego senza NESSUNA funzione. Mettersi in contatto con noi per le funzioni disponibili in versioni specifiche)  
- con piano di posa secondo raccomandazioni NAMUR per adattamento diretto su attuatore pneumatico a semplice effetto (funzione 3/2 NC) o doppio effetto (funzione 5/2). Uno stesso distributore si adatta alle due funzioni con il posizionamento sulla parte inferiore di una delle due piastre interfaccia 3/2 NC o 5/2 fornite (fig. C e D, rif. 1a e 1b). (Non connettere l'ingresso della pressione alla porta di scarico 3. La costruzione "a protezione dell'ambiente" non è adatta a un impiego senza NESSUNA funzione. Mettersi in contatto con noi per le funzioni disponibili in versioni specifiche)  
L'utilizzo di altri prodotti è proibito e non è contemplato dalla presente certificazione.  
La norma CEI 61508 descrive un pacchetto di requisiti generali per ciascuna fase del ciclo di vita dei sistemi di sicurezza. L'analisi di affidabilità eseguita dall'EXIDA ha dimostrato che questi distributori ed elettrodistributori possono essere utilizzati nell'ambito di un sistema di gestione della sicurezza (SRS) fino a e incluso il livello SIL2, con un HFT=0 e fino a e incluso il livello SIL 3, con un HFT=1, con il livello di HFT richiesto basato secondo il percorso 2H, in conformità alla norma CEI 61508-2 : 2010.  
La sintesi dei risultati di prova ed i dati di affidabilità si trovano alle pagine 35 e 36 di questo stesso documento. Per l'installazione, la manutenzione e la messa in opera e in servizio di queste valvole, è preconizzato l'utilizzo del Manuale di sicurezza (V9629), che si trova disponibile sul sito web «www.asconumatics.eu». Tutte le indicazioni e le prescrizioni presenti nelle istruzioni generali di installazione e manutenzione sono la base dei documenti soprannominati. Per garantire l'affidabilità, è necessario altresì rispettare le prescrizioni aggiuntive descritte di seguito.  
- Raccordare le tubazioni secondo le funzioni desiderate, tenendo conto dei riferimenti delle vie marcati sul prodotto e nella presente documentazione. (pagina ...)  
- Controllare che nessun corpo estraneo penetri all'interno del circuito, onde evitare il blocco della valvola. Limitare l'utilizzo di nastro o pasta per tenute.  
- I distributori ed elettrodistributori devono essere utilizzati solo con aria pulita e secca o con gas neutro. Si raccomanda un filtraggio minimo di 50 micron. Il punto di rugiada dei fluidi deve essere di almeno -20°C (36°F) al di sotto della temperatura minima a cui i fluidi possono essere esposti. Se viene usata aria lubrificata, il lubrificante deve essere compatibile con gli elastomeri usati. La qualità dell'aria nello strumento definita dalla norma ANSI/ISA S7.3(1975) supera i requisiti ed è pertanto un supporto accettabile per queste valvole.  
- Proteggere la via o le vie di scarico dei distributori e dei piloti mediante le protezioni di scarico in acciaio inox fornite con ciascun prodotto (vedi rif. 3). Nel caso in cui si preferisca utilizzare le tubazioni, proteggerle mediante uno o più filtri adattati. Per il distributore, raccordare tali protezioni alla connessione 3 (3/2 NC) o alle connessioni 3 - 5 (5/2). L'affidabilità della valvola non sarà garantita qualora si utilizzino mezzi di protezione di scarico diversi da quelli forniti. In tal caso, si prega di contattare ASCO o uno dei suoi rappresentanti autorizzati.  
- Campo di pressione massimo di funzionamento:  
- da 2 a 10,4 bar  
- da 2 a 8 bar (195-LISC)

⚠ Nel caso di un prodotto dotato di un comando manuale di sbarramento, la funzione di sicurezza del prodotto non è più assicurata quando il comando in questione è attivato. Non dimenticare di disattivare lo sbarramento, allo scopo di rimettere il prodotto nella sua configurazione di sicurezza.

#### DESCRIZIONE

Versioni ATEX 94/9/CE : Vedere "condizioni speciali per

#### un utilizzo sicuro".

Versioni stagne all'atmosfera: I componenti interni del distributore sono isolati dall'atmosfera esterna, quindi protetti dagli ambienti aggressivi. Tutte le vie di scarico se canalizzate, assicurano una migliore protezione dagli ambienti aggressivi, particolarmente raccomandata per installazioni in zone sensibili come le sale bianche, industrie farmaceutiche o agro-alimentari. E' necessario canalizzare o predisporre gli scarichi per proteggere i componenti interni del distributore in caso di utilizzo all'esterno o in ambiente difficile (polveri, liquidi o altri agenti).

#### CONDIZIONI SPECIALI PER UN UTILIZZO SICURO

ATEX 94/9/CE: Il distributore deve avere la messa a terra (rif. F). Condizioni di stoccaggio: al riparo dalle intemperie; temperatura: da -40 C a +70 °C; umidità relativa: 95 %  
In caso di stoccaggio prolungato prima della messa in servizio, il distributore deve restare nel suo imballaggio d'origine. Gli elementi di protezione delle vie di raccordo e delle teste magnetiche devono rimanere al loro posto.  
Temperatura ambiente: -25°C (alluminio), -40 C (acciaio inox) a +60°C  
La temperatura max del fluido non deve superare la temperatura ambiente.  
Dopo uno stoccaggio a bassa temperatura, i distributori devono essere riportati progressivamente alla temperatura ambiente di funzionamento prima di essere messi in pressione per la prima volta. Nel caso che, nella Zona 1, Gruppo IIC, si utilizzi la serie 553 con pilota integrato, il prodotto deve essere protetto dal flusso dell'aria ambientale e dalla frizione, allo scopo di prevenire un carico elettrostatico sull'involucro di materiale sintetico. Il fatto di indossare capi d'abbigliamento secchi e/o la frizione sulla superficie della testa magnetica devono essere evitati durante le fasi d'installazione e manutenzione.  
I distributori sono progettati per i campi di funzionamento indicati sulla etichetta di segnalazione. Nessuna modifica può essere apportata sui materiali senza il previo accordo del fabbricante o dei suoi rappresentanti. Questi elettrodistributori sono previsti per funzionare con aria o gas neutri filtrati. Non superare la pressione max ammessa = 8/10,4 bar. La messa in servizio e la manutenzione di questi prodotti devono essere effettuati da personale competente.

• Versioni a comando pneumatico standard IP65 o previste per atmosfere pericolose come gas, vapori, nebbie e polveri secondo la direttiva ATEX 94/9/CE. (La classificazione delle zone di questa versione è definita nell'etichetta ATEX, rif. E2).  
E2/Modo di protezione: Il 2GD IIC X Ta 60°C T85°C (T6)  
Il rispetto dei requisiti essenziali in materia di sicurezza e salute è assicurata dalla conformità alle norme europee EN 13463-1.  
• Versioni a comando elettropneumatico, dotate di teste magnetiche:  
- protezione IP65 oppure  
- omologate per atmosfere pericolose secondo Direttiva ATEX 94/9/CE

• Versioni con pilota integrato, standard IP 65 o per atmosfere pericolose II 3D IP65 o ATEX Ex m, em.  
• Versioni con teste magnetiche secondo piano di posa ASCO, standard IP65 oppure per atmosfere pericolose, II 3D IP65 oppure ATEX/IECEx Ex d, m, em, ia.  
• Versioni con piloti, secondo piano di posa CNOMO E06.05.80 (taglia 30) oppure CNOMO E06.36.120N (taglia 15), standard IP65 oppure montaggio di piloti per atmosfere pericolose ATEX Ex d o Ex ia.

Attenzione (piloti CNOMO) : l'installazione in zone (ATEX 1999/92/CE), è determinato in via prioritaria dalla marcatura indicata sull'etichetta (rif. E2) situata sul corpo del distributore.  
E2/Modo di protezione: Il 2GD IIC X Ta 60°C T85°C (T6)  
Considerare la categoria, pressione massima di funzionamento e la temperatura meno favorevoli quando si monta un gruppo con pilota ATEX 94/9/CE. Il rispetto dei requisiti essenziali in materia di sicurezza e salute è assicurato dalla conformità alle norme europee EN 13463-1. Rispettare il senso di montaggio dei piloti indicato nelle figure da 5/6/7/8/10 e le coppie di serraggio indicate.

Per le teste magnetiche ed i piloti ATEX 94/9/CE, seguire

<b>ASCO</b>	<b>ISTRUZIONI DI INSTALLAZIONE E MANUTENZIONE</b> Distributori monostabili SERIE 553 per applicazioni di sicurezza corpi in alluminio o in acciaio inox, filettati 1/2-NAMUR, secondo la norma EI 61508 (Suffisso «SL.»)	<b>3/2 NC</b> <b>5/2</b>	<b>IT</b>
-------------	---	-----------------------------	-----------

tassativamente le istruzioni per l'uso riportate nelle rispettive avvertenze specifiche per la messa in servizio fornite con il prodotto.

#### MONTAGGIO

Versioni ATEX 94/9/CE : Accertarsi che tutte le parti metalliche o conduttrici siano sempre interconnesse e messe a terra. La messa a terra del corpo del distributore si esegue montando la vite di fissaggio (rif. F).  
I distributori possono essere montati in qualsiasi posizione.  
• Versioni filettate 1/2 (fig. A, B) :  
Montare i distributori servendosi di due viti (rif. F), non comprese nella fornitura.  
• Versioni con piano di posa NAMUR (fig. C, D) :  
Prima di montare il distributore sull'attuatore, adattare il componente alla funzione scelta :  
- Selezionare la piastra interfaccia sulla funzione desiderata 3/2 NC o 5/2 (fig. 2, rif. 1a o 1b).  
- Verificare la presenza e l'inserimento corretto della guarnizione sagomata (fig. 2, rif. 7).  
- Assemblare piastra e distributore con le 2 viti fornite, rispettando il senso di montaggio: il riferimento della funzione deve essere posizionato lato ritorno (spina di riferimento)  
- Montare le due guarnizioni OR (fig. 2, rif. 9).  
- Posizionare, se necessario, la spina di riferimento sull'attuatore:  
• Sulla piastra 3/2, la spina di riferimento Ø 5 è situata in A3/A1.  
• Sulla piastra 5/2, la spina di riferimento Ø 5 è situata in A3/A2.

#### RACCORDO PNEUMATICO

A seconda della versione 3/2 NC o 5/2, con i prodotti vengono fornite una o due protezioni di scarico in acciaio inox, da adattare di volta in volta.  
• Recordo di pilotaggio pneumatico:  
G 1/4 o NPT 1/4  
• Recordo degli scarichi di pilotaggio  
- Raccordare la via di scarico O/M5, G1/8-NPT1/8  
• Comando manuale (rif. 10)  
A seconda delle versioni, i prodotti sono forniti con o senza comando manuale a impulso, per il funzionamento senza tensione.

• Raccomandazioni generali per il raccordo pneumatico  
Raccordare le tubazioni secondo le funzioni desiderate, tenendo conto dei riferimenti delle vie marcati sul prodotto e nella presente documentazione.  
Controllare che nessun corpo estraneo penetri nel circuito. Supportare ed allineare correttamente le tubazioni, per evitare qualsiasi sollecitazione meccanica sul distributore. Serrando non servirsi dell'apparecchio come se fosse una leva; posizionare le chiavi di serraggio il più vicino possibile al punto di raccordo. Per evitare qualsiasi guasto, NON SERRARE TROPPO i raccordi delle tubazioni.

• Versioni filettate 1/2 (fig. A, B) :  
• Recordo del distributore: 1/2  
Collegare le tubazioni secondo i riferimenti indicati sull'etichetta.  
- Funzione 3/2 NC :  
Ingresso della pressione attraverso la via 1. Utilizzo attraverso la via 2.  
Scarico attraverso la via 3  
- Funzione 5/2 :  
Ingresso della pressione attraverso la via. Utilizzo attraverso le vie 2 e 4.  
Gli scarichi sono incanalati verso le vie 3 e 5.

• Versioni con piano di posa NAMUR (fig. C, D) :  
• Recordo del distributore: 1/2  
Collegare le tubazioni secondo i riferimenti indicati sull'etichetta.  
- Funzione 3/2 NC :  
Ingresso della pressione attraverso la via 1. Utilizzo attraverso la via 2.  
Scarico attraverso la via 3. Lo scarico dalle camere delle molle di ritorno dell'attuatore a semplice effetto è canalizzato attraverso il distributore verso la connessione 3 raccordabile. Si raccomanda di non toccare la connessione 5 (se non utilizzata).  
- Funzione 5/2 :  
Ingresso della pressione attraverso la via. Utilizzo attraverso le

vie 2 e 4.  
Gli scarichi sono incanalati verso le vie 3 e 5 ( 1/2).  
**CONNESSIONE ELETTRICA**

• Versione stagna IP65 (fig. A) : Montare la bobina sul carnotto (orientabile a 360°). Connettore disinnestabile secondo ISO 4400 / EN 175301-803, form A (se installato correttamente, la classe di protezione di questo connettore è IP65).

• Versione a testa magnetica interfaccia ASCO: fare riferimento alle istruzioni d'installazione complementari fornite con ciascuna testa magnetica.

• Versione a piano di posa CNOMO: fare riferimento alle istruzioni d'installazione complementari fornite con ciascun pilota.

• Raccomandazioni generali  
Il collegamento elettrico deve essere realizzato da personale qualificato e secondo le norme ed i regolamenti in vigore.

Attenzione:  
- Prima di qualsiasi intervento, escludere l'alimentazione elettrica per mettere i componenti fuori tensione.  
- A seconda della tensione, i componenti elettrici devono essere messi a terra in conformità alle norme ed i regolamenti locali. La maggior parte dei distributori hanno bobine previste per messa in tensione permanente. Per evitare bruciature, non toccare la testa magnetica che, in funzionamento normale e permanentemente sotto tensione, può raggiungere una temperatura elevata. Se l'elettrovalvola è facilmente accessibile, l'installatore deve prevedere una protezione della testa magnetica.

#### MANUTENZIONE

⚠ Prima di qualsiasi operazione di manutenzione o di messa in funzione, escludere l'alimentazione del distributore, depressurizzare e spurgare per evitare qualsiasi rischio di incidente a cose o persone.  
Versioni ATEX : in fase di manutenzione seguire tassativamente le raccomandazioni della direttiva 99/92/CE e norme associate.

• Pulizia  
La manutenzione dei distributori varia secondo le loro condizioni di impiego. Se necessario, procedere ad una pulizia periodica. Quando si esegue un intervento, si devono esaminare i componenti per individuare i punti troppo usurati. E' necessaria una pulizia quando si osserva un rallentamento della cadenza, pur essendo corretta la pressione di pilotaggio o quando si sente un rumore anormale o si constata una fuga.

• Rumore di funzionamento  
L'utente potrà determinare con precisione il livello sonoro ammesso solo dopo avere montato il componente sull'installazione. Il rumore di funzionamento varia secondo l'uso, il fluido ed il tipo di materiale.

• Manutenzione preventiva  
- Fare funzionare il distributore almeno una volta al mese per verificarne l'apertura e la chiusura.  
- In caso di problema al montaggio o alla manutenzione o in caso di dubbio, contattare ASCO Numatics o i suoi rappresentanti ufficiali.

• Consigli per la riparazione  
Pressione di uscita anomala: verificare la pressione all'entrata del distributore; deve corrispondere ai valori ammessi sull'etichetta dati.

Attenzione. Rispettare i valori minimi di pressione di pilotaggio: 2 bar.

Per evitare qualsiasi rischio d'incidente a cose o persone, verificare che il distributore funzioni correttamente prima di rimetterlo in servizio.

• Ricambio  
La bobina viene proposta come parte di ricambio. Se necessario, sostituire l'elettrodistributore o il distributore completo.

<b>ASCO</b>	<b>INSTALLATIE-EN ONDERHOUDSINSTRUCTIES</b> Monostabiele magneetventielen serie 553 voor veiligheids toepassingen Aluminium of roestvrij staal, 1/2" getapt - NAMUR aansluitpatroon volgens IEC norm 61508 (SIL goedkeuring)	<b>3/2 NC</b> <b>5/2</b>	<b>NL</b>
-------------	---	-----------------------------	-----------

**BESCHRIJVING VAN DE GOEDKEURING**  
Versies waarop de goedkeuring betrekking heeft: Alleen serie 553, aluminium of roestvrij staal, monostabiel (veerretour), 3/2 NG (normaal gesloten) functie of 5/2, versie geïsoleerd van de buitenatmosfeer. Versies met handmatige terugstelling of met handmatige terugstelling van het impuls type:

- met 1/2" getapte aansluiting (Sluit de druktoevoer niet aan op ontluichtingspoort 3. De "hermetisch afgedichte" constructie is niet geschikt als "verdeelfunctie" of voor gebruik in NO functie. Speciale uitvoeringen op aanvraag)  
- met NAMUR-aansluitpatroon voor directe montage op enkelwerkende (functie 3/2 NG) of dubbelwerkende (functie 5/2) pneumatische actuators. De functie van het ventiel kan worden omgezet van 3/2 NG in 5/2 door de geleverde 13/2 NG of 5/2 aansluitplaat te monteren op de onderkant van het ventiel (fig. C, D ref. 1a en 1b). (Sluit de druktoevoer niet aan op ontluichtingspoort 3. De "hermetisch afgedichte" constructie is niet geschikt voor gebruik in NO functie. Speciale uitvoeringen op aanvraag)

**Het gebruik van enig ander product is verboden en dit gebruik valt niet onder deze goedkeuring.**  
IEC norm 61508 beschrijft een reeks afgehele vereisten voor iedere fase in de levenscyclus van een veiligheidsstelsel. Uit de betrouwbaarheidsanalyse die is uitgevoerd door de EXIDA is gebleken dat deze verdelers en elektroverdelers kunnen worden gebruikt in een veiligheidsstelsel (SRS) tot en met niveau SIL 2 met een HFT = 0 en tot en met niveau SIL 3 met een HFT = 1 waarbij het vereiste HFT-niveau gebaseerd is op route 2H conform de norm CEI 61508-2 : 2010.

De samenvatting van de testresultaten en de betrouwbaarheidsgegevens vindt u op bladzijde 35 en 36 van dit document. Voor de installatie, het onderhoud, het testen en de inbedrijfstelling van deze afsluiters, raden wij aan het veiligheidsboek (V9629) te gebruiken dat beschikbaar is op de internetsite "www.asconumatics.eu". Alle aanwijzingen en voorschriften in de algemene installatie- en onderhoudsinstructies vormen de basis van de bovengenoemde documenten. Om de betrouwbaarheid te garanderen dient tevens te worden voldaan aan alle aanvullende voorschriften die hierna worden genoemd.

- Sluit de buizen voor de vereiste functies aan volgens deze documentatie en de aansluitmarkeringen op het product. (pagina ...)  
- Zorg ervoor dat er geen vreemde materie in het circuit komt om te voorkomen dat de ventielwerking geblokkeerd raakt. Beperk het gebruik van afdichttapes of afdichtmateriaal tot een minimum.  
- Deze ventielen zijn bedoeld voor gebruik met schone en droge lucht of inert gas. Aanbevolen minimumfiltratie: 50 micron. Het dauwpunt van de gebruikte vloeistof dient minstens -20°C (36°F) onder de minimumtemperatuur te liggen waaraan de vloeistof blootgesteld kan worden. Indien gesmeerde lucht wordt gebruikt, dient het smeermiddel compatibel te zijn met de gebruikte elastomeren. Instrumentlucht in overeenstemming met ANSI/ISA norm S7.3 (1975) overschrijdt de benodigde vereisten en is daardoor een aanvaardbare vloeistof voor deze ventielen.

- Alle uitlaatporten van de ventielen en stuurventielen dienen beschermd te zijn met de roestvrijstaal uitlaatbeschermers die bij het product worden geleverd (zie ref. 3).  
- In geval van gebruik in een buisaansluiting, dienen de ventielen te worden beschermd met (een) geschikt filter(s). Sluit deze uitlaatbeschermers aan op poort 3 (3/2 NC) of de poorten 3 - 5 (5/2) van de ventielen. De betrouwbaarheid van het ventiel kan niet worden gegarandeerd als een andere uitlaatbeschermers wordt gebruikt dan de meegeleverde uitlaatbeschermers. Neem in geval van problemen contact op met ASCO Numatics of een van de erkende vertegenwoordigers.

- Maximale werkdruk:  
- 2 tot 10,4 bar  
- 2 tot 8 bar (195-LISC)

**⚠ In geval van een product dat is uitgerust met een handmatige bediening met vergrendeling, wordt de veiligheidsfunctie van het product niet langer gegarandeerd wanneer deze geactiveerd is. Vergeet niet deze te ontgrendelen om het product in de veiligheidsconfiguratie terug te brengen.**

**BESCHRIJVING**  
ATEX 94/9/EG-versies: Zie "Speciale voorwaarden voor veilig gebruik".

Versies die geïsoleerd zijn van de buitenlucht: De inwendige delen van de verdeler zijn geïsoleerd van de buitenlucht, om bescherming te bieden in elke schadelijke omgeving. Aangezien alle uitlaatopeningen kanaliseerbaar zijn, staan deze garant voor een betere bescherming van de omgeving, waardoor deze speciaal worden aanbevolen voor installaties in een gevoelige omgeving zoals stofvrije ruimten, de farmaceutische industrie en de voedingsmiddelenindustrie.  
Het is noodzakelijk om de uitlaten te kanaliseren of aan te passen om de interne componenten van de elektrische verdeler en de pneumatische bekrachtigende beschermen bij gebruik in de buitenlucht of in een veeleisende omgeving (stof, vloeistoffen et cetera).

**SPECIALE VOORWAARDEN VOOR VEILIG GEBRUIK**  
ATEX 94/9/EG-versies: De afsluiter moet worden geaard (zie. F). Opslag: beschermt tegen weersinvloeden, opslagtemperatuur: -40 C tot +70°C; relatieve vochtigheid: 95 %  
Bewaar het schuifventiel in zijn originele verpakking zolang u hem niet gebruikt. Laat de bescherming op de aansluitpoorten en over de magneetkoppels zitten.  
Omgevingstemperatuur: -25°C (aluminium), -40 C (roestvrij staal) tot +60°C

De maximale temperatuur van het medium mag de omgevings-temperatuur niet overschrijden.

**Na opslag bij een lage temperatuur dienen de verdelers geleidelijk aan op gebruikstemperatuur te worden gebracht voordat deze onder druk worden gezet.**

Indien in Zone 1 Groep IIC gebruik wordt gemaakt van de 553-serie met ingebouwd stuurventiel, moet het product worden beschermd tegen de stroom en wrijving van omgevingslucht, om elektrostatische lading op de omhulling van synthetisch materiaal te voorkomen. Het dragen van droge kleding en/of wrijving op het oppervlak van de magneetknop dienen te worden vermeden tijdens installatie en onderhoud.

De elektrische schuifventielen zijn ontworpen voor toepassingen zoals vermeld op het naamplaatje. Zonder voorafgaande toestemming van de fabrikant of zijn vertegenwoordiger, mag geen enkele wijziging aan het product worden aangebracht. **Deze elektrische verdelers werken op gefilterde lucht of neutrale gassen.** De maximaal toelaatbare druk van de verdeler (= 8/10,4 bar) mag niet worden overschreden.

De installatie en het onderhoud van de verdeler mogen alleen worden uitgevoerd door gespecialiseerd personeel.  
• Standaard pneumatisch bediende versies IP67 of versies voor gebruik in een explosiegevaarlijke omgeving die wordt veroorzaakt door gassen, dampen, mist of stof volgens de ATEX Richtlijn 94/9/EG. (De zoneclassificatie voor deze versie staat op het ATEX-etiket, ref. E2).

**E2/Beschermingsgraad: II 2GD IIC X Ta 60°C T85°C (T6)**  
Conformiteit met de Fundamentele gezondheidsvoorschriften en veiligheidsseisen is gegarandeerd door de conformiteit met de Europese normen **EN 13463-1**.

• Elektropneumatisch bediende versies met magneetkoppels:  
- IP 65 afdichting of gecertificeerd voor gebruik in explosiegevaarlijke omgeving volgens ATEX Richtlijn 94/9/EG.

• **Versie met geïntegreerde stuurautomaat**, standaard IP65, of voor gebruik in een explosiegevaarlijke omgeving II 3D IP65 of ATEX Ex m, em

• **Versies met magneetkoppels met ASCO-montageplaat**, standaard IP65 of voor gebruik in een explosiegevaarlijke omgeving II 3D IP65 of ATEX/IECEx Ex d, m, em, ia.

• **Versies met stuurautomaten met CNOMO E06.05.80 (grootte 30) of CNOMO E06.36.120N (grootte 15) montageplaat**, standaard IP65 of montageplaten van stuurautomaten voor gebruik in explosiegevaarlijke omgeving volgens ATEX Ex d of Ex ia.

**Let op (CNOMO-stuurautomaten): De plaatsing van de verdelers in zones (ATEX 1999/92/EC) wordt in de eerste plaats gedefinieerd door de vermeldingen op het etiket (ref. E2) op de behuizing van iedere verdeler.**

E2/Beschermingsgraad: II 2GD IIC X Ta 60°C T85°C (T6)  
Neem bij het monteren van dit product op een stuurklep volgens

<b>ASCO</b>	<b>INSTALLATIE-EN ONDERHOUDSINSTRUCTIES</b> Monostabiele magneetventielen serie 553 voor veiligheids toepassingen Aluminium of roestvrij staal, 1/2" getapt - NAMUR aansluitpatroon volgens IEC norm 61508 (SIL goedkeuring)	<b>3/2 NC</b> <b>5/2</b>	<b>NL</b>
-------------	---	-----------------------------	-----------

ATEX 94/9/EG de minst gunstige categorie, maximale werkdruk en temperatuur in acht. **Conformiteit met de Fundamentele gezondheidsvoorschriften en veiligheidsseisen is gegarandeerd door de conformiteit met de Europese normen EN 13463-1.** De montage-richting voor de stuurautomaten zoals aangegeven in figuur 5/6/7/8/10 en de vermeldde aanhaalkoppels dienen in acht te worden genomen. **Voor magneetkoppels en stuurautomaten volgens ATEX 94/9/EG dienen de gebruiksinstructies die gegeven worden in de specifieke installatie-instructies die met het product worden geleverd strikt te worden opgevolgd.**

**MONTAGE**  
ATEX 94/9/EG-versies: Zorg ervoor dat alle metalen of geleidende onderdelen altijd onderling worden aangesloten en geaard zijn. De verdelerbehuizing is geaard met de bevestigingsschroef (ref. F). De elektrische schuifventielen kunnen in iedere positie worden gemonteerd.

**Versies met getapte poort 1/2 (fig. A, B):**  
Monteer de verdeler met behulp van twee schroeven (ref.F) (niet meegeleverd).

**Versies met NAMUR-aansluitpatroon (fig. C, D):**  
Voordat het schuifventiel op de actuator gemonteerd wordt moet de gewenste functie gekozen worden:

- Selecteer de tussenplaat, al naar gelang de functie, 3/2 NG of 5/2 (pos. 1a of 1b).
- Zorg dat de tussenplaat op de juiste wijze voorzien is van de geprofileerde afdichting (pos. 7).
- Zorg dat de tussenplaat met behulp van de 2 meegeleverde schroeven correct gemonteerd wordt: de functie indicatie moet zich bevinden aan de retour zijde (codering).
- Plaats de 2 O-ringen (pos.9).
- Plaats, indien nodig, de positioneerstift op de actuator:
- Op het 3/2-plaatje bevindt de centreeropening Ø 5 zich bij A3/A1.
- Op het 5/2-plaatje bevindt de centreeropening Ø 5 zich bij A3/A2.

**PNEUMATISCHE AANSLUITING**  
Afhankelijk van de versie (3/2 NC of 5/2), dienen een of twee roestvrijstaal uitlaatbeschermers te worden gebruikt, die bij ieder product geleverd worden.

• **Aansluiting van de sturing pneumatische versie:**  
G 1/4 of NPT 1/4.

• **Aansluiting van de stuuruitlaten**  
Mogelijkheid om de uitlaten op te vangen van de versie met ingebouwde stuurautomaat:

- Verwijder de plastic beschermdop
- Sluit de uitlaatopening ØM5, G1/8 of NPT1/8

• **Handmatige terugstelling (pos. 10)**  
Afhankelijk van de versie, worden de producten geleverd zonder handmatige terugstelling of met handmatige terugstelling van het impuls type om te werken zonder stroom.

• **Algemene aanbevelingen voor pneumatische aansluiting**  
Sluit de leidingen aan volgens de gewenste functies, aan de hand van de merktekens van de openingen die op het product zelf en in deze documentatie staan aangegeven. Zorg ervoor dat geen vreemde deeltjes kunnen binnendringen in de kring. De leidingen moeten correct worden ondersteund en uitgelijnd, om elke mechanische spanning op de verdeler te vermijden. Bij het vastschroeven mag het toestel niet als hefboom worden gebruikt. Plaats de schroefseleutels zo dicht mogelijk bij het aansluitpunt. Om elke beschadiging te voorkomen, de leidingaansluitingen NIET TE VAST DRAAIEN.

• **Versies met getapte poort 1/2 (fig. A, B):**  
• **Aansluiting van de elektrische verdeler:**  
Sluit de leidingen aan op basis van de aanduidingen op het etiket.

• **Werking 3/2 NF:**  
Drukkinlaat via opening 1 (1/2). Gebruik via opening 2. Uitlaat via opening 3 (1/2).

• **Werking 5/2:**  
Drukkinlaat via 1. Gebruik via de openingen 2 en 4. De uitlaten worden naar de openingen 3 en 5 geleid.

• **Versie met NAMUR-aansluitpatroon (fig. C, D):**  
• **Aansluiting van de elektrische verdeler:**  
Sluit de leidingen aan op basis van de aanduidingen op het etiket.

• **Werking 3/2 NF:**  
Drukkinlaat via opening 1 (1/2). Gebruik via opening 2. Uitlaat

via opening 3 (1/2).  
De uitlaat van de kamers van de terugstellers van de bekrachtiger met enkelvoudige werking wordt via de verdeler naar de aansluitopening 3 gekanaliseerd. Het wordt aangeraden opening 5 (niet gebruikt) te beschermen, maar niet af te sluiten

- **Werking 5/2:**  
Drukkinlaat via 1. Gebruik via de openingen 2 en 4.  
De uitlaten worden naar de openingen 3 en 5 geleid.

**ELEKTRISCHE AANSLUITING**  
Voordat men aan het werk begint moeten alle spanningvoerende delen spanningsloos worden gemaakt.

Alle schroefaansluitingen moeten vóór inbedrijfstelling tot het geschikte aandraaimoment worden vastgedraaid.  
Maak de verbinding met de aarde voor versies > 48 V.

• **Hermetisch gesloten versie IP65 met geïntegreerde stuurautomaat (fig. A):**  
Spoel op de buis passen (360° draaibaar) en vervolgens: Ultimeerbare connector volgens ISO 4400 / EN 175301-803, form A (bij juiste montage wordt de dichtheidsklasse IP-65 verkregen).

• **Versie met magneetkoppels met ASCO-aansluitpatroon:**  
Zie de aanvullende installatie-instructies die worden geleverd met iedere magneetkop.

• **Versie met CNOMO-montageplaat:**  
Zie de aanvullende installatie-instructies die worden geleverd met ieder stuurventiel.

• **Algemene instructies voor de elektrische aansluiting:**  
De elektrische aansluiting dient te gebeuren door een vakman en in overeenstemming met de geldende voorschriften of normen. Let op:

- Afhankelijk van hun spanning moeten de elektrische onderdelen voorzien worden van een aarding die beantwoordt aan de plaatselijke voorschriften of normen. De meeste schuiven zijn uitgerust met spoelen voor continu-bedrijf. Om elk risico op lichamelijk letsel of materiële schade te voorkomen, dient men aanraking van de magneetkop te vermijden, omdat die bij normale werking heet kan worden. Wanneer de elektrische schuifsluiter makkelijk bereikbaar is, moet de installateur een magneetkopbescherming voorzien.

**ONDERHOUD**  
⚠ Voor alle onderhoudswerkzaamheden en inwerkingstellingen moet de voeding van de elektrische verdeler worden afgekoppeld, de druk afgelezen en de verdeler worden schoongebazen om elk risico op lichamelijk letsel of materiële schade uit te sluiten.

**ATEX-versies: neem alle voorschriften conform de Europese richtlijn 99/92/EG en de hiervan afgeleide normen strikt in acht.**

• **Reiniging**  
Het onderhoud van de elektrische verdelers verschilt naargelang hun bedrijfsomstandigheden. Deze dienen regelmatig te worden gereinigd. Tijdens de ingreep moeten de onderdelen grondig worden nagekeken op sporen van overmatige slijtage. Een reinigingsbeurt is nodig wanneer een vertraging van het werkritme wordt vastgesteld terwijl de stuurdruk correct is, of wanneer een abnormaal geluid of lek wordt waargenomen.

• **Geluidsniveau**  
De gebruiker kan pas nauwkeurig het geluidsniveau vaststellen nadat hij het onderdeel op de installatie heeft gemonteerd. Het geluidsniveau verschilt naargelang het gebruik, de vloeistof en het soort materiaal.

• **Preventief onderhoud**  
- Laat de elektrische verdeler minstens eenmaal per maand werken om te controleren of hij goed open en sluit.  
- In geval van problemen tijdens montage of onderhoud, of bij twijfel, kunt u contact opnemen met ASCO Numatics of zijn officiële vertegenwoordigers.

• **Storingsverhelping**  
- Uitlaatdruk is niet goed : Controleer de druk aan de inlaat-zijde van de elektrische verdeler, deze moet overeenstemmen met de toegelaten waarden vermeld op het etiket. *Let op, neem de minimumwaarden voor de stuurdruk in acht: 2bar*  
Om elk risico op lichamelijk letsel of materiële schade te voorkomen, dient men na te gaan of de elektrische verdeler correct functioneert alvorens deze opnieuw in bedrijf te stellen.

• **Vervangen**  
De spoel is verkrijgbaar als reserveonderdeel.  
Indien nodig, de hele elektrische verdeler vervangen.



<b>ASCO</b>	<b>INSTALLASJONS-OG VEDLIKEHOLDSTRUKSER</b> Serie 553 monostabile spoleventiler Hus av aluminium eller rustfritt stål, 1/2" gjengete porter-NAMUR grensesnitt, i h.h.t. IEC standard 61508 (SIL)	<b>3/2 NC</b>	<b>NO</b>
		<b>5/2</b>	

#### BESKRIVELSE AV GODKJENNELSEN

Versjoner som godkjennelsen gjelder:  
Kun serie 553, hus av aluminium eller rustfritt stål, monostabil (fjærretur), 3/2 NC (normalt lukket) funksjon eller 5/2, versjon isolert fra utvendig atmosfære. Versjoner uten manuell overstyring eller med manuell overstyring av impulsypen:

- med 1/2" gjenget kobling (Ikke koble trykktilførselen til utblåsningsåpning 3. Den "miljøvennlige" konstruksjonen er ikke tilpasset en "distribusjons"-funksjon eller bruk i NO-funksjon. Ta kontakt med oss for funksjon tilgjengelig i spesifikke c-versjoner)

- med NAMUR-grensesnitt for direkte montering på enkeltløps (funksjon 3/2 NC) eller dobbeltløps (funksjon 5/2) trykkløftsregulatorer. Ventilens funksjon kan konverteres fra 3/2 NC til 5/2 ved å montere den medfølgende 13/2 NC eller 5/2 grensesnittplaten på bunnen av ventilen (fig. C og D, se 1a og 1b). (Ikke koble trykktilførselen til utblåsningsåpning 3. Den "miljøvennlige" konstruksjonen er ikke tilpasset NO-funksjon. Ta kontakt med oss for funksjon tilgjengelig i spesifikke c-versjoner)

**Bruk av noe annet produkt er forbudt og omfattes ikke av denne godkjennelsen.**

IEC-standard 61508 beskriver et sett med generelle krav for hver fase i livssyklusen til et sikkerhetssystem. Analysen av driftsikkerheten utført av EXIDA viste at disse fordelene og elektrofordelene kan brukes i et sikkerhetsstyringssystem (SRS) til og med nivået SIL 2 med en HFT = 0 og til og med nivået SIL 3 med en HFT = 1, med et obligatorisk HFT-nivå basert på rute 2H i henhold til normen IEC 61508-2: 2010.

Sammendraget av testresultatene og driftsikkerhetsdata er angitt på side 35-36 i dette dokumentet. Når det gjelder installasjon, vedlikehold, testing og idriftsettning av disse ventilene anbefales det å slå opp i sikkerhetskatalogen (V9629) som er tilgjengelig på nettstedet

«[www.asconumatics.eu](http://www.asconumatics.eu)». Alle indikasjoner og bestemmelser i de generelle installasjons- og vedlikeholdsinstruksene utgjør grunnlaget for dokumentene nevnt ovenfor. For å sikre påliteligheten må alle tilleggsbestemmelser som angis nedenfor også følges.

- Kabling av rør for de påkrevde funksjonene må skje i samsvar med denne dokumentasjonen og portmerkene på produktet. (side ...)

- For å forhindre blokkering av ventilfunksjonen må du sørge for at det ikke kommer fremmedlegemer inn i kretsen. Bruk av tetningsstape eller tetningsmiddel bør begrenses til et minimum. - Disse ventilene er beregnet for bruk i forbindelse med ren og tørr luft eller uavviks (inert) gass. Anbefalt minimumsfiltrering: 50 mikron. Væskens duggpunkt må være minst -20°C (36°F) lavere enn minstemperaturen som væsken kan bli eksponert for. Når det brukes oljeholdig luft, må smøremiddelet være kompatibel med elastomerene (elastiske kunststoffer) som benyttes. Instrumentluft som er i samsvar med ANSI/ISA-standard S7.3 (1975) overskrider de nødvendige kravene og er derfor en akseptabel væske for disse ventilene.

- Alle utblåsningsporter på ventilene og pilotene må være beskyttet med utblåsningsvern av rustfritt stål som følger med produktet (se rep. 3). Når de brukes i rørboklinger må ventilene beskyttes med passende filter(e). Disse utblåsningsvernene kobles til ventilenes port 3 (3/2 NC) eller port 3 - 5 (5/2). Ventilens pålitelighet kan ikke garanteres hvis det brukes et annet utblåsningsvern enn det som følger med produktet. Hvis så likevel gjøres, vennligst ta kontakt med ASCO eller en av våre autoriserte representanter.

- Maksimalt arbeidstrykk:  
- 2 til 10,4 bar  
- 2 til 8 bar (195-LISC)

**⚠ Ved produkter utstyrt med en manuell betjening med lås utføres ikke sikkerhetsfunksjonen når betjeningen er aktivert. Ikke glem å låse den opp for å sette produktet tilbake i opprinnelig sikkerhetskonfigurasjon.**

#### BESKRIVELSE

**ATEX 94/9/EC-versjoner:** Se "Spesielle vilkår for sikker bruk". Versjoner som er isolert fra atmosfæren: De interne delene av ventilen er isolert fra atmosfæren utenfor for å gi vern i aggressive miljøer. Alle utblåsningsporter på spoleventilen kan utstyres med rør, noe som gir bedre miljøvern og anbefales spesielt i følsomme områder som renrom og til bruk i farmasøytisk og matforeledende industri. Det er nødvendig å koble rør eller armatur til utblåsningsportene for å beskytte interne deler i spoleventilen hvis den brukes utendørs eller under vanskelige forhold (støv, væsker osv.).

#### SPEISIELLE VILKÅR FOR SIKKER BRUK

ATEX 94/9/EC-versjoner: Ventilen må jordes (figur. F). Oppbevaringsforhold: beskyttet mot eksponering mot vær; oppbevaringstemperatur: -40°C til +70°C; relativ luftfuktighet: 95 % Spoleventilen må oppbevares i sin opprinnelige innpakning så lenge den ikke brukes. Verneklemsene må ikke fjernes fra tilkoblingsportene og spoleoperatorene. Omgivelsestemperatur: -25°C (aluminium), -40°C (rustfritt stål) til +60°C

Den maksimale væsketemperaturen må ikke være høyere enn romtemperaturen.

Etter lagring i lav temperatur må spoleventilene gradvis bringes til driftstemperatur før de settes under trykk. Hvis 553-serien med integrert med pilot brukes i Sone 1, Gruppe IIC, må produktet beskyttes mot strømming i omliggende luft og friksjon for å forhindre elektrostatiske lading på husets syntetiske materiale. Bruk av tørre klær og/eller friksjon på overflaten av magnetmetode bør unngås under montering og vedlikehold.

Spoleventilene er beregnet for bruk innenfor de tekniske spesifikasjoner som er angitt på navneplaten. Endringer av produktene må kun gjøres etter rådgivning med produsenten eller hans representant. **Disse spoleventilene er beregnet til bruk i forbindelse med filtrert luft eller naturgass.** Overskrid ikke ventilens tillatte maksimaltrykk = 8/10,4 bar. Installasjon og vedlikehold av ventilen må kun utføres av kvalifisert personell.

• Standard IP65-klassifiserte luftdrevne versjoner eller versjoner for bruk i eksplorative atmosfærer forårsaket av gass, damp, dis eller støv i henhold til ATEX-direktiv 94/9/EC. (Soneklassifiseringen for denne versjonen er angitt på ATEX-merket, se E2).

E2/Sikkerhetskode: II 2GD IIC X Ta 60°C T85°C (T6)  
Samsvar med viktige helse- og sikkerhetskrav er sikret gjennom tillempling til de europeiske standardene EN 13463-1.  
• Spole-luft-drevne versjoner utstyrt med spoleoperatører:  
- IP65-forseglet eller  
- sertifisert for bruk i eksplorative atmosfærer i henhold til ATEX-direktiv 94/9/EC

• Versjoner med integrert styreventil, IP65-klassifisert som standard, eller for bruk i eksplorative atmosfærer II 3D IP65 eller ATEX Ex m, em

• Versjoner med spoleoperatører med ASCO monteringspute, IP65-klassifisert som standard, eller for bruk i eksplorative atmosfærer II 3D IP65 eller ATEX/IECEx Ex d, m, em, ia.

• Versjoner med styreventiler med CNOMO E06.05.80 (størrelse 30) eller CNOMO E06.36.120N (størrelse 15) monteringspute, IP 65-klassifisert som standard, eller montering av styreventiler for bruk i eksplorative atmosfærer i h.h.t. ATEX Ex d eller Ex ia. **Advarsel (CNOMO-styreventiler): Plassering av ventilene i soner (ATEX 1999/92/EC) er definert på første linje av indikasjonene på merket (se E2) på huset til hver ventil.**

E2/Sikkerhetskode: II 2GD IIC X Ta 60°C T85°C (T6)  
Når dette produktet settes sammen med en styreventil i henhold til ATEX 94/9/EC, må du regne ut fra den minst fordelaktige kategorien, Maksimalt arbeidstrykk og temperaturer. Samsvar med viktige helse- og sikkerhetskravene er sikret gjennom tilpassing til de europeiske

<b>ASCO</b>	<b>INSTALLASJONS-OG VEDLIKEHOLDSTRUKSER</b> Serie 553 monostabile spoleventiler Hus av aluminium eller rustfritt stål, 1/2" gjengete porter-NAMUR grensesnitt, i h.h.t. IEC standard 61508 (SIL)	<b>3/2 NC</b>	<b>NO</b>
		<b>5/2</b>	

standardene EN 13463-1. Monteringsstillingene for styreventiler som vist i figur 5/6/7/8/10 og de angitte tilstrammingsmomentene, må etterfølges. **Når det gjelder spoleoperatører og styreventiler i henhold til ATEX 94/9/EC, må man strengt holde seg til bruksanvisningen gitt i de spesifikke installasjonsinstruksene som kommer sammen med produktet.**

#### MONTERING

**⚠ ATEX 94/9/EC-versjoner:** Sorg for at alle metall- eller ledende deler alltid er innbyrdes tilsluttede og jordat. Ventilhuset er jordat med festeskruen (se F). Ventilene kan monteres i en hvilken som helst stilling.

**Gjengete 1/2" porter** (fig. A, B):  
Monter ventilen med to skruer (se F) (følger ikke med).

**Versjoner med NAMUR-grensesnitt** (fig. C, D):  
For spoleventilen monteres på styringen, må den innstilles for den påkrevde funksjon:

- Velg det grensesnittet som korresponderer med den påkrevde funksjon: 3/2 NC eller 5/2 (se 1a eller 1b).
- Påse at pakningen er riktig tilpasset (se 7).
- Monter grensesnittet under spoleventilen med de to medfølgende skruene. Påse at indikeringen for funksjonen befinner seg på retursiden (polariseringsporet).
- Sett inn de to O-ringene (se 9).
- Om nødvendig, sett styrepinnen på styringen:
- På 3/2 NC-funksjonsplaten: Ø 5-hullet er ved A3/A1.
- På 5/2-funksjonsplaten: Ø 5-hullet er ved A3/A2.

#### TRYKKLUFTTILKOBLING

Avhengig av versjon (3/2 NC eller 5/2) må man benytte en eller begge de medfølgende utblåsningsbeskyttelsene av rustfritt stål.

• **Tilkobling av spoleventiler med luftstyring:**  
G 1/4 eller NPT 1/4.

• **Tilkobling av styreventilens utblåsninger**  
- Tilkoble QM5, G1/8-NPT1/8-utslippporten

• **Manuell overstyring** (se 10)  
Avhengig av versjon, leveres produktene uten manuell overstyring eller med manuell overstyring av impulsypen for drift uten strøm.

• **Generelle anbefalinger for tilkobling av trykkløst**  
Koble rør for de påkrevde funksjonene i samsvar med denne dokumentasjonen og portmerkene på produktet. Sorg for at det ikke kommer fremmedlegemer inn i systemet. Rørene må støttes og justeres for å forhindre mekanisk belastning på ventilen. Når du strammer må du ikke bruke ventilen som bremstang. Sett skrunøkler så nær tilkoblingspunktet som mulig. For å unngå skade på utstyret må rørboklingene IKKE TREKKES TIL FOR STRAMT.

• **Versjoner med gjengede porter 1/2** (fig. A, B):

• **Tilkobling av spoleventil:**  
Koble rørene til som anviset på merket:  
- **3/2 NC-funksjon:**  
Trykkinntak gjennom port 1 (1/2). Trykkutgang gjennom port 3 (1/2).

- **5/2-funksjon:**  
Trykkinntak gjennom port 1. Trykkutgang gjennom port 2 og 4.  
Utblåsing kanaliseres gjennom ventilen til port 3 og 5.

• **Versjon med NAMUR-grensesnitt** (fig. C, D):

• **Tilkobling av spoleventilen:**  
Koble rørene som vist på merkelappen:  
- **3/2 NC-funksjon:**  
Trykkinntak ved port 1 (1/2). Trykkutgang ved port 2.

Utslippport 3 (1/2). Utslipp fra returstyrings fjærkamre i den enkeltvirkende versjonen, er kanalisert gjennom ventilen til 1/2 port 3. Det anbefales å beskytte port 5 (dersom den ikke er i bruk) - **tilstoppe den ikke.**

- **5/2-funksjon:**  
Trykkutgang ved port 1 (1/2). Trykkutgang ved port 2 og 4. Utslippene er kanalisert gjennom ventilen til portene 3 og 5 (1/2).

#### ELEKTRISK TILKOBLING

**Før eventuelle inngrep må du slå av strømmen slik at komponentene slås av.**

Alle batteriklemler må strammes til i riktig dreiemoment for å gjengekøring.

Gjør tilkoblingen til jorden for versjoner > 48 V.

• **IP65-forseglet versjon med integrert styreventil (fig. A):**  
- Sett spolen på røret (360° dreibar) og deretter:  
- Løs kopling i henhold til ISO 4400 / EN 175301-803, form A (når den er korrekt montert gir denne kontakten IP-65-vern).

• **Versjon uten spoleholder med ASCO-grensesnitt:**  
Se ytterligere installasjonsinstruks som følger med hvert spolehode.

• **Versjon med CNMO monteringspute:**  
Se ytterligere monteringsinstruks som følger med hver styreventil.

• **Generelle anbefalinger:**  
Elektriske koblinger må gjøres av kvalifisert personell og i henhold til gjeldende lokale standarder og forskrifter. Forsiktig:

- Avhengig av spenningen må elektriske komponenter være jordat i henhold til lokale standarder og forskrifter. De fleste ventiler er utstyrt med spoler beregnet på kontinuerlig drift. For å redusere risikoen for personskade må man ikke berøre spoleoperatøren, som kan bli varm under normale driftsforhold. Hvis ventilen er lett tilgjengelig, må installatøren sette opp vern som forhindrer tilfeldig kontakt med spoleoperatøren.

#### VEDLIKEHOLD

**⚠ Før eventuelt vedlikeholdsarbeid eller før ventilen settes i drift, skal den slås av, trykket skal tas ut og ventilen ventileres for å redusere risikoen for skade på personer eller utstyr.**

**ATEX-versjoner: Alle prosedyrer anbefalt av Alle prosedyrer som anbefales av direktiv 99/92/EC og tilknyttede standarder må følges nøye.**

#### Rengjøring

Vedlikehold av ventilene avhenger av driftsforholdene. De må rengjøres regelmessig. Under service bør komponentene kontrolleres for graden av slitasje. Komponentene må rengjøres når man merker en nedgang i takten, selv om trykket i styreventilen er korrekt, eller hvis det oppdages uvanlig støy eller det oppstår lekkasje.

#### Støy

Støynivået avhenger av bruksområdet, mediet og typen utstyr som brukes. Nøyaktig fastsettelse av støynivået kan bare gjøres av brukeren når han ventilen installerer i sitt system.

#### Forebyggende vedlikehold

- Bruk ventilen minst én gang i måneden for å kontrollere funksjonaliteten.  
- Hvis det oppstår problemer under vedlikehold eller hvis du er i tvil, vennligst ta kontakt med ASCO Numatics eller en av våre autoriserte representanter.

#### Feilsøking

- Feil utgangstrykk: Kontroller trykket på ventiliens tilførsels-side. Det må tilsvare verdiene som fremgår av navneplaten. **Forsiktig: du må overholde minimumsverdien for styreventilen på 2 bar.**

For å unngå skade på personer eller utstyr må du kontrollere at ventilen fungerer som den skal for du setter den tilbake i bruk.

#### Reservedel

Spoler er tilgjengelige som reservedeler. Hvis nødvendig, skifter du ut hele ventilen.

<b>ASCO</b>	<b>INSTALLATIONS- OCH UNDERHÅLLSINSTRUKTIONER</b>	<b>3/2 NC</b>	<b>SE</b>
	Monostabila serie 553 solenoidventiler för säkerhetstillämpningar Ventilkropp i aluminium eller rostfri stål, 1/2" gängad eller NAMUR-koppling, i överensstämmelse med IEC standard 61508 (avtal SIL)	<b>5/2</b>	

#### BESKRIVNING AV GODKÄNNANDET

Utföranden som berörs av godkännandet:  
**Enbart serie 553, ventilkropp i aluminium eller rostfri stål, monostabil (fjäderretur), 3/2 NC (normalt stängd) funktion eller 5/2, detta utförande är isolerat från yttre atmosfär. Utföranden utan manuell företrädesstyrning eller med manuell företrädesstyrning av impulstyp:**

- med 1/2" gängad koppling (Anslut inte tryckkopplingen till utgångsport 3. Den "miljöskyddande" konstruktionen är inte anpassad för en "distribuerande" funktion eller använd NO-funktionen. Kontakta oss för mer om vilka funktioner som är tillgängliga för specifika versioner)  
- med NAMUR-koppling för direkt montering till enkelverkande (funktion 3/2 NC) eller dubbelverkande (funktion 5/2) pneumatiska ställdon. Ventilens funktion kan konverteras från 3/2 NC till 5/2 genom att montera medlevererad 13/2 NC eller 5/2 kopplingsplatta underst på ventilen (fig C, D, ref 1a och 1b). (Anslut inte tryckkopplingen till utgångsport 3. Den "miljöskyddande" konstruktionen är inte anpassad för NO-funktion. Kontakta oss för mer om vilka funktioner som är tillgängliga för specifika versioner)

**Det är inte tillåtet att använda en annan produkt än sådana del omöjliga kan ingå i detta godkännande**  
IEC-standard 61508 beskriver en uppsättning allmänna krav för varje fas av ett säkerhetssystemets livscykel. Enligt den tillförlitlighetsanalys som gjorts av EXIDA kan dessa ventiler och solenoidventiler användas i system för säkerhetsstyrning (SRS) till och med SIL-nivå 2 med HFT = 0 och uppåt och till och med SIL-nivå 3 med HFT = 1 eller med den HFT-nivå som krävs baserat på 2H-vägen enligt IEC-standard 61508-2:2010. En sammanfattning av testresultat och tillförlitlighetsdata återfinns på sidorna 35 och 36 i det här dokumentet. För installation, underhåll, testning och idrifttagande av dessa ventiler rekommenderas användning av säkerhetshandboken (V9629) på webbplatsen «[www.asconumatics.eu](http://www.asconumatics.eu)». Alla indikationer och åtgärder som ingår i de allmänna installations- och underhållsinstruktionerna utgör underlag för ovan nämnda dokument. För att försäkra tillförlitligheten ska även alla vidare omnämnda åtgärder uppfyllas.

- Anslut ledningarna för de önskade funktionerna enligt instruktionerna i den här dokumentationen och portmärkningen på produkten. (sida ...)

- Se till att inga främmande material som kan blockera ventilfunktionen kommer in i systemet. Försök att hålla användningen av tätningstejp eller andra tätningsmaterial ett minimum.  
- De här ventilierna är avsedda för användning med en ren och torr luft eller ädelgas. Rekommenderad minimumfiltrering: 50 mikron. Daggpunkten för vätskan som används måste vara minst -20°C (36°F) under den minimumtemperatur som vätskan får utsättas för. Vid användning av smord luft måste smörjmedlet vara förenligt med de elaster som används. Pneumatisk luft i överensstämmelse med ANSI/ISA standard S7.3 (1975) överskrider nödvändiga krav och är därför en godkänd vätska för dessa ventiler.

- Samtliga av ventiliens utblåsningssportar ska skyddas med de medlevererade utblåsningsskyddet av rostfritt stål (se ref. 3). När dessa används i en rörkoppling, ska ventilierna skyddas med lämpligt/-a filter. Anslut utblåsningsskyddet på ventiliernas port 3 (3/2 NC) eller port 3 - 5 (5/2). Ventilens tillförlitlighet kan inte garanteras om andra utblåsningsskydd än de som levererades med ventilen används. I sådana fall, var god kontakta ASCO eller en auktoriserad representant.  
- Maximum arbetstryck:  
- 2 - 10,4 bar  
- 2 - 8 bar (195-LISC)

**⚠ För produkt som har manuell låsning kan inte produktens säkerhetsfunktion garanteras om denna aktiveras. Glöm inte att låsa upp produkten när säkerhetsinställningarna återställs.**

#### BESKRIVNING

ATEX 94/9/EC-versioner: Se "Särskilda förhållanden för säker användning".

**Versioner som är isolerade från atmosfären:** Ventilens invändiga delar är isolerade från atmosfären utanför och skyddas därför vid användning i aggressiva miljöer. Alla utgångsportar på rundslidsventilen kan förses med rörförbindning, vilket ger bättre miljöskydd och rekommenderas särskilt i känsliga omgivningar såsom i "rena rum" och för tillämpning inom läkemedels- och livsmedelsindustrin. Vid användning utomhus eller i krävande miljöer (damm, vätskor o dyl) är nödvändigt att ansluta ledningar eller fixturer till utgångsportarna för att skydda rundslidsventilens invändiga delar.

#### SÄRSKILDA FÖRHÅLLANDEN FÖR SÄKER ANVÄNDNING

ATEX 94/9/EC-versioner: Ventilen ska anslutas till jord (figur F). Förvaringsförhållanden: skyddad från väder och vind, förvaringstemperatur: -40 C till +70°C ; relativ fuktighet: 95 % Solenoidventilen ska förvaras i originalförpackningen när den inte används. Skyddspropparna får inte tas bort från anslutningsportar och solenoidoperatörer. Omgivningstemperatur: -25°C (-aluminium) -40°C (rostfri stål) till +60°C Den max. temperaturen i vätskan inte överstiger omgivningstemperaturen.

Efter kall förvaring måste rundslidsventilen gradvis värmas upp till arbetstemperatur innan den sätts under tryck. Om 553-serien med integrerad pilot används i zon 1, grupp IIC, måste produkten skyddas mot omgivningsluftföde och friktion för att förhindra elektrostatiskt laddning på höljat av syntetmaterial. Användning av torra trasor och/eller friktion på magnethuvudets yta ska undvikas under installation och underhåll.

Rundslidsventilierna är avsedda för att användas i enlighet med de tekniska egenskaper som står angivna på namnplattan. Modifikationer av produkterna är enbart tillåtet med medgivande från tillverkaren eller auktoriserad representant. **De här solenoidrundslidsventilierna är konstruerade för att användas med filtrerad luft eller neutral gas.** Överskrid aldrig ventiliens maximalt tillåtna arbetstryck = 8/10,4 bar. Installation och underhåll av ventilen får enbart utföras av behörig personal.

• Standard IP65-märkta luftstyra versioner eller versioner för användning i explosiva atmosfärer som uppstår genom gaser, ånga, dimma eller damm enligt ATEX-direktiv 94/9/EC. (Zonklassifikation för den här versionen finns på ATEX-etiketten, ref. E2).

E2/Säkerhetskod: II 2GD IIC X Ta 60°C T85°C (T6)

Uppfyller Grundläggande hälso- och skyddskrav genom överensstämmelse med Europeiska normer EN 13463-1.

- luftstyra solenoidversioner med solenoidoperatörer:
- IP65 tätad eller
- certifierad för användning i explosiva atmosfärer i enlighet med ATEX-direktiv 94/9/EC
- **Versioner med inbyggd pilot**, IP65-märkt som standard eller för användning i explosiva atmosfärer II 3D IP65 eller ATEX Ex m, em.
- **Versioner med solenoidoperatörer med ASCO monteringsplatta**, IP65-märkt som standard eller för användning i explosiva atmosfärer II 3D IP65 eller ATEX/IEC Ex d, m, em, ia.
- **Versioner med piloter med CNOMO E06.05.80 (storlek 30) eller CNOMO E06.36.120N (storlek 15) monteringsplatta**, IP 65-märkt som standard eller monterad med piloter för användning i explosiva atmosfärer i enlighet med ATEX Ex d eller Ex ia.
- **Varsamhet (CNOMO-piloter): Hur en ventil placeras i en zon (ATEX 1999/92/EC) definieras i första hand med indikationen på etiketten (ref E2) på ventiliernas stomme.**

E2/Säkerhetskod: II 2GD IIC X Ta 60°C T85°C (T6)

Ta hänsyn till den minst gynnsamma kategorin, maximum arbetstryck och temperaturen vid montering av den här produkten till en pilot till ATEX 94/9/EC. Uppfyller Grundläggande hälso- och skyddskrav genom överens-

<b>ASCO</b>	<b>INSTALLATIONS- OCH UNDERHÅLLSINSTRUKTIONER</b>	<b>3/2 NC</b>	<b>SE</b>
	Monostabila serie 553 solenoidventiler för säkerhetstillämpningar Ventilkropp i aluminium eller rostfri stål, 1/2" gängad eller NAMUR-koppling, i överensstämmelse med IEC standard 61508 (avtal SIL)	<b>5/2</b>	

- stämmelse med Europeiska normer EN 13463-1. Montera piloterna i positionerna enligt figur 5/6/7/8/10 och tillämpa angivet vridmoment.  
**För solenoidoperatörer och piloter till ATEX 94/9/EC, ska användarinstruktionerna i motsvarande Installationsinstruktioner som medföljer produkten, strikt följas.**

**⚠ MONTERING**  
**ATEX 94/9/EC-versioner:** Se till att alla metalldelar eller ledande delar alltid är sammankopplade och jordade. Ventilstommen är jordad via fästskruven (ref F). Ventilierna kan monteras i valfri position.

• **Version med gängad 1/2 port (fig. A, B):**  
Montera ventilen med två skruvar (ref F) (ingår ej).

• **Version med NAMUR-koppling (fig C, D):**  
Innan rundslidsventilen monteras på operatören måste den först ställas in på önskad funktion:  
- Välj den anslutningstyp som överensstämmer med önskad funktion: 3/2 NC eller 5/2 (rap. 1a eller 1b).  
- Se till att packningen monteras korrekt (rep. 7).  
- Montera anslutningen under rundslidsventilen med de två medlevererade skruvarna. Se till att funktionsindikeringen placeras på returänden (polariseringsöppning).  
- Placera de två O-ringarna (rep. 9).  
- Om nödvändigt, montera låsningen på operatören:  
• På 3/2 NC funktionsplatta: Ø 5 dia. är hål A3/A1.  
• På 5/2 funktionsplatta: Ø 5 dia. är hål A3/A2.

#### PNEUMATISK ANSLUTNING

Beroende på utförandet (3/2 NC eller 5/2), ska en eller båda medlevererade utblåsningsskydd av rostfritt stål användas.

• Ansluta pneumatisk pilotutförande:  
G 1/4 eller NPT 1/4.

• **Ansluta pilotutblås**  
- Anslut utblåsningssport ØM5, G1/8-NPT1/8

• **Manuell företrädesstyrning (rep. 10)**  
Beroende på utförandet, levereras produkten utan manuell företrädesstyrning eller med manuell företrädesstyrning av impulstyp för strömlös operation.

• **Allmänna rekommendationer för pneumatisk anslutning**  
Anslut ledningarna för den önskade funktionen enligt instruktionerna i den här dokumentationen och portmärkningen på produkten.  
Se till att inga främmande material kommer in i systemet. För att förebygga mekanisk belastning på ventilen är det viktigt att ledningarna har tillräckligt med stöd och är riktade korrekt. Använd inte själva ventilen för åtdragningen, placera momentnyckeln så nära anslutningspunkten som möjligt. Var rädd om verktygen, DRA INTE AT kopplingarna FÖR HÄRT.

• **Utföranden med gängad 1/2 port (fig. A, B):**  
• **Ansluta rundslidsventilen:**  
Anslut ledningarna enligt etiketten:  
- **3/2 NC-funktion:**  
Tryckintag vid port 1 (1/2). Tryckuttag vid port 2. Utblås vid port 3 (1/2).  
- **5/2-funktion:**  
Tryckintag vid port 1. Tryckuttag vid port 2 och 4. Utblåsningen kanaliseras via ventilierna till port 3 och 5.

• **Utförande med NAMUR-koppling (fig C, D):**  
• **Ansluta rundslidsventilen:**  
Anslut ledningarna enligt etiketten:  
- **3/2 NC-funktion:**  
Tryckintag vid port 1 (1/2). Tryckuttag vid port 2. Utblås vid port 3 (1/2). Utblåset från returstyra fjäderkammare i den enkelverkande versionen kanaliseras via

ventil 1/2" port 3. Vi rekommenderar att skydda port 5 (om oanvänd - **plugga inte till det.**

- **5/2-funktion:**  
Tryckintag vid port 1 (1/2). Tryckuttag vid port 2 och 4. Utblåsningen kanaliseras via ventilierna till port 3 och 5 (1/2).

#### ELEKTRISK ANSLUTNING

**Innan du vidtar någon åtgärd ska du slå från strömmen så att komponenterna inte är strömförande.**

Alla batteriklämmor ska momentdras innan magnetventilen tas i drift.

Gör anslutningen till jord för versioner > 48 V.  
• **IP65-tätad version med inbyggd pilot (fig A):**  
Sätt på spolen på röret (roterbar i 360°) och därefter: Lösbar koppling i enlighet med ISO 4400 / EN 175301-803, form A (oikein asennettuna liittännässä on IP-65-suoja).

• **Utförande med magnethuvud med ASCO-koppling:**  
Läs installationsinstruktionerna som levereras med respektive magnethuvud.

• **Utförande med CNOMO plattmontage:**  
Läs installationsinstruktionerna som levereras med respektive pilotventil.

• **Allmänna rekommendationer:**  
Elektriska anslutningar ska utföras av behörig tekniker och i enlighet med lokala normer och regler.

Varsamhet:  
- Beroende på strömstyrka ska elektriska komponenter jordas enligt lokala normer och regler.

- De flesta ventiler har spolar som konstruerats för kontinuerlig drift. För att förebygga personskadorna, vidrör inte solenoidoperatören som kan bli mycket varm under normala driftförhållanden. Om solenoidventilen är lätt att komma åt ska installatören försäkra med lämpligt skydd för att förekomma oavsiktlig kontakt.

#### UNDERHÅLL

**⚠ För att förebygga maskin- och personskada ska strömförsörjning och tryck ska vara bortkopplat och ventilen luftas innan underhåll eller driftsättning utförs. ATEX-versioner: Följ strikt alla procedurer rekommenderade i Direktivet 99/92/EC och tillhörande normer.**

• **Rengöring**  
Underhållet av ventilierna är beroende på driftförhållanden. De ska rengöras med regelbundna intervaller. Vid service ska komponenterna kontrolleras på överdrivet slitage. Det är dags att rengöra komponenterna när arbetscyklerna går långsammare trots att pilottrycket är rätt eller när ovanliga ljud eller läckage uppstår.

• **Buller**  
Bullernivån är beroende på tillämpningen, medium och typen av utrustning som används. En korrekt mätning av bullernivån kan enbart utföras hos användaren där ventilen installerats i ett system.

• **Förebyggande underhåll**  
- Driftsätt ventilen minst en gång i månaden för att kontrollera att den fungerar som den ska.  
- Om problem eller tveksamhet uppstår vid underhåll, var god kontakta ASCO Numatics eller en auktoriserad representant.

• **Problemlösning**  
- Inkorrekt utgångstryck: Kontrollera trycket på ventiliens matarsida som ska korrespondera med värdena på namnplattan.  
*Varsamhet: observera att minimalt pilottryck är 2 bar.*  
För att förebygga person- och maskinskada, kontrollera att ventilen fungerar korrekt innan den sätts i drift igen.

• **Reservdelar**  
Spolar kan beställas som reservdel. Om nödvändigt, byt ut hela ventilen.





<b>ASCO</b>	<b>INSTALLATIONS-OG VEDLIGEHOLDSANVISNINGER</b> Monostabile magnetpoleventiler serie 553 til sikkerhedsbrug Aluminium eller rustfri stål, 3/8-1/2 gevind- NAMUR interface, i henhold til IEC standard 61508 (SIL aftale)	<b>3/2 NC</b> <b>5/2</b>	<b>DK</b>

**BESKRIVELSE AF GODKENDELSEN**  
Versioner der falder under godkendelsen:  
Serie 553 kun, aluminium eller rustfri stål, monostabil (selvopruddende), 3/2 NL (normalt lukket) funktion eller 5/2, version isoleret fra udvendige atmosfærer. Versioner uden manuel overstyring eller med impuls-type manuel overstyring:  
- med 1/2" gevindforbindelse (Forbind ikke trykforsyningen til udløbsport 3. Den "miljøbeskyttede" konstruktion er ikke beregnet til en "distributionsfunktion" eller til brug i NO-funktion. Kontakt os med henblik på oplysning om, hvilke funktioner der er til rådighed på bestemte modeller) - med NAMUR interface til direkte montering på enkeltvirkende (funktion 3/2 NL) eller dobbeltvirkende (funktion 5/2) pneumatisk drev. Funktionen af ventilen er konverteret fra 3/2 NL til 5/2 ved at montere den medfølgende 13/2 NL eller 5/2 interface plade i bunden af ventilen (afbild. C, D, ref. 1a og 1b). (Forbind ikke trykforsyningen til udløbsport 3. Den "miljøbeskyttede" konstruktion er ikke beregnet til NO-funktion. Kontakt os med henblik på oplysning om, hvilken funktion der er til rådighed på den bestemte model) *Brugen af ethvert andet produkt er ikke tilladt, og er ikke omfattet af denne godkendelse.*  
IEC standard 61508 beskriver et sæt generelle krav til hver fase i et sikkerhedssystemets levetid. Den analyse af driftsikkerheden, der er gennemført af EXIDA, har vist, at disse spoleventiler og magnetpoleventiler kan anvendes i et sikkerhedsstyringsystem (SRS) til med niveau SIL 2 med en HFT = 0 og til og med niveau SIL 3 med en HFT = 1 med det krævede HFT-niveau baseret på rute 2H i henhold til normen CEI 61508-2 :2010.  
Sammenfatningen af testresultaterne og dataene for pålidelighed findes på side 35 og 36 i dette dokument. I forbindelse med installation, vedligeholdelse, afprøvning, og ibrugtagning af disse ventiler anbefales det stærkt at benytte sikkerhedsmanualen (V9629), som er stillet til rådighed på internettet under adressen [www.asconumatics.eu](http://www.asconumatics.eu). Alle indikationer og bestemmelser, der er optaget i de generelle installations- og vedligeholdelsesinstruktioner, udgør grundlaget for de ovennævnte dokumenter. For at sikre driftsikkerheden, skal alle de bestemmelser, der er nævnt i det følgende, overholdes.  
- Forbind rørene til de krævede funktioner, som angivet i denne dokumentation og på port markeringerne på produktet. (side ...)  
- For at forkomme at ventiliens funktion bliver blokeret, skal det sikres, at der ikke kommer fremmedlegemer ind i kredsløbet. Begræns brugen af tætningsbånd eller tætningsmateriale til et minimum.  
- Disse ventiler er beregnet til brug med ren og tør luft eller inaktiv gas. Anbefalet minimumsfiltrering: 50 my. Dugpunktet af det medie der bliver brugt, skal ligge mindst -20°C (36°F) under den minimumstemperatur, som mediet kan blive udsat for. Når der bruges smurt luft, skal smøremiddel være forenelig med de benyttede elastomere. Instrumentluft i overensstemmelse med ANSI/ISA standard S7.3 (1975) overgår de nødvendige krav, og er derfor et acceptabelt medie til disse ventiler.  
- Alle ventilerne og piloternes udløbsporte skal beskyttes af de rustfri stål udløbsbeskyttere, der er leveret med produktet (se ref. 3). Når ventilerne bliver brugt i en rørbindelse, skal ventilerne beskyttes med (et) passende filter/filtre. Forbind disse udløbsbeskyttere til port 3 (3/2 NL) eller til portene 3 - 5 (5/2) på ventilerne. Ventiliens driftsikkerhed kan ikke garanteres, hvis der bliver benyttet en anden udløbsbeskytter, end den der er leveret med. I det tilfælde, kontakt ASCO eller en af dennes autoriserede repræsentanter.  
- Maksimum arbejdsstryk:  
- 2 til 10,4 bar  
- 2 til 8 bar (195-LISC)

**⚠ Tilfælde af et produkt, der er udstyret med manuel betjening med lås, er produktets sikkerhedsfunktion ikke garanteret, når låsen er aktiveret. Glem ikke at låse den op for at stille produktet tilbage i sikkerhedskonfigurationen.**

**BESKRIVELSE**  
**ATEX 94/9/EC versionerne: Se "Særlige krav for sikker brug".**

**Versioner isoleret fra atmosfæren:** De indre dele af ventilen er isolerede fra den omgivende atmosfære, for at give beskyttelse i aggressive omgivelser. Alle udløbsåbninger kan tilsluttes til rørdedninger, hvilket giver en bedre miljømæssig beskyttelse, især anbefalet til sensitive områder som for eksempel rene rum, og installationer i den farmaceutiske industri og i lævnedsmiddelindustrien. Hvis spoleventilen bliver brugt uendørs eller i ubeskyttede omgivelser (støv, væsker o.s.v.), er det nødvendigt at tilslutte rør eller beslag til udløbsåbningerne, for at beskytte spoleventilens indre dele.

**SPECIELLE KRAV TIL SIKKER BRUG**  
ATEX 94/9/EC versionerne: Ventilenskalforbindes (afbild F). Opbevaringsforhold: Beskyttet mod vejret; opbevaringstemperatur: -40 C til +70°C; relativ fugtighedsgrad: 95 %  
Spoleventilens skal opbevares i sin originale indpakning, så længe den ikke er i brug. Den beskyttende afdækning må ikke fjernes fra forbindelsesportene og magnetstyringen. Omgivelsestemperatur: -25°C (aluminium), -40 C (rustfri stål) til +60°C  
Mediets maksimumstemperatur må ikke overstige omgivelsetemperaturen.  
**Efter opbevaring ved lav temperatur, skal spoleventilen gradvist varmes op til driftstemperatur, før der bliver sat tryk på.**  
Hvis der i zone 1, gruppe IIC, gøres brug af 553-serien med indbygget pilot, skal produktet beskyttes mod omgivende luftstrøm og friktion for at forhindre elektrostatisk ladning på det syntetiske materiale, huset er lavet af. Det bør undgås at bære tørt tøj og/eller at gnide mod overfladen på det magnetiske hoved under montering og vedligeholdelse.  
Spoleventilen er beregnet til brug under de tekniske forhold, der er specificeret på fabrikksskiltet. Forandringer på produktet må kun foretages efter samråd med producenten eller dennes repræsentanter. **Disse magnetpoleventiler er konstrueret til brug med filtreret luft eller neutral gas.** Overskrid ikke det maksimalt tilladte tryk på ventilen = 8/10,4 bar. Installation og vedligehold af ventilen må kun udføres af kvalificeret personale.  
• Standard IP65-mærket luftdrifts versioner eller versioner til brug i eksplosive atmosfærer forårsaget af gasser, dampe, tåge eller støv i henhold til ATEX direktiv 94/9/EC. (Zoneklassifikationen for denne version er angivet på ATEX mærket, ref. E2).  
E2/Sikkerhedskode: II 2 GD c Ta 60°C T85°C (T6). Overensstemmelse med de væsentligste helbreds- og sikkerhedskrav er sikret ved en overensstemmelse med de europæiske standarder **EN 13463-1**.  
• Magnet-luftdrifts versioner med indbygget magnetstyring:  
- IP65 forseglet eller  
- godkendt til brug i eksplosionsfarlige omgivelser i henhold til ATEX direktiv 94/9/EC.  
• **Versioner med integral styreenhed**, IP65-mærket som standard, eller til brug i eksplosive atmosfærer II 3D IP65 eller ATEX Ex m, em  
• **Versioner med magnetstyring med ASCO montageplade**, IP65-mærket som standard, eller til brug i eksplosive atmosfærer II 3D IP65 eller ATEX/IECEx Ex d, m, em, ia.  
• **Versioner med piloter med CNOMO E06.05.80 (str. 30) eller CNOMO E06.36.120N (str. 15) montageplade**, IP 65-mærket som standard, eller montering af piloter til brug i eksplosive atmosfærer i henhold til ATEX Ex d eller Ex ia.  
• **Advare (CNOMO piloter): Placeringen af ventilerne i zoner (ATEX 1999/92/EC) er i første række defineret med angivelserne på mærket (ref. E2) på kassen på hver af ventilerne.**  
E2/Sikkerhedskode: II 2 GD c Ta 60°C T85°C (T6).  
**Ved monteringen af dette produkt på en styredel til ATEX 94/9/EC, skal der holdes regnskab med den mindst gunstige, maksimum arbejdsstryk temperaturkategori.** Overensstemmelse med de væsentligste helbreds- og sikkerhedskrav er sikret ved overensstemmelse med de europæiske standarder **EN 13463-1**. Styredelens monteringsposition som den er vist i afbild-

<b>ASCO</b>	<b>INSTALLATIONS-OG VEDLIGEHOLDSANVISNINGER</b> Monostabile magnetpoleventiler serie 553 til sikkerhedsbrug Aluminium eller rustfri stål, 3/8-1/2 gevind- NAMUR interface, i henhold til IEC standard 61508 (SIL aftale)	<b>3/2 NC</b> <b>5/2</b>	<b>DK</b>

ningerne 5/6/7/8/10 og det angivne strammingsmoment skal overholdes.  
**For magnetstyreenheder og piloter til ATEX 94/9/EC, skal de instruktioner om brugen, der er givet i den specifikke installationsanvisning der fulgte med produktet, strengt overholdes.**

**MONTERING**  
**⚠ ATEX 94/9/EC versionerne:** Sørg for at alt metal eller ledende dele altid er inbyrdes forbundet og forbundet til jordforbindelse. Ventilens kasse er forbundet til jordforbindelse med befæstelseskruen (ref. F). Ventilerne kan monteres i alle positioner.

**Porte med gevind 1/2 versioner** (afbild. A, B): monter ventilen med to skruer (ref. F) (ikke leveret).  
**Med NAMUR interface versioner** (afbild. C, D): For spoleventilen bliver monteret på aktivatoren, skal den indstilles til den krævede funktion:  
- Vælg den interface der passer til den krævede funktion: 3/2 NC eller 5/2 (ref. 1a eller 1b).  
- Sørg for at pakningen er monteret rigtigt.  
- Monter interface, under spoleventilens med de 2 skruer der er leveret. Sørg for at angivelsen af funktionen er placeret på returlobssiden (polarisations udsparring).  
- Tilpas de to O-ringe (ref. 9).  
- Om nødvendigt, sæt styreenheden på operatoren:  
• På 3/2 NL pladen: er Ø 5 dia. hullet ved A3/A1.  
• På 5/2 NL pladen: er Ø 5 dia. hullet ved A3/A2.

**PNEUMATISK FORBINDELSE**  
Afhængigt af versionen (3/2 NL eller 5/2), skal enten den ene eller begge rustfri stål udløbsbeskyttere, der er leveret med hvert af produkterne, benyttes.  
• Montering af pneumatisk pilot version: G 1/4 eller NPT 1/4.  
• **Montering af pilotens udløb**  
- Monter den på udløbsport ØM5, G1/8-NPT1/8  
• **Manuel overstyring** (ref. 10)  
Afhængigt af versionen, er produktet leveret uden manuel overstyring eller med impuls-type manuel overstyring til styring uden elektricitet.  
• **Generelle anbefalinger i forbindelse med pneumatisk montering**  
Forbind rørene til de krævede funktioner, som angivet i denne dokumentation og på port markeringerne på produktet. Sørg for at ingen fremmedlegemer kommer ind i systemet. Understøt rørene korrekt og ret dem ind på linie, for at forebygge mekanisk belastning på ventilen. Brug ikke ventilen som håndgreb ved stramningen, men placer skruenøglen så tæt på forbindingspunktet som muligt. For at undgå at skade udstyret, må rørbindingerne IKKE OVERSPÆNDES.

• **Porte med gevind 1/2 versioner** (afbild. A, B):  
• **Montering af spoleventilen:**  
Forbind rørene som vist på mærkesedlen:  
- **3/2 NL funktion:**  
Tryk indtag ved port 1 (1/2). trykudløb ved port 2. Udløb ved port 3 (1/2).  
- **5/2 funktion:**  
Tryk indtag ved port 1. Tryk udløb ved portene 2 og 4. Udstømningen bliver ledt gennem ventilen til portene 3 og 5.

• **Versioner med NAMUR interface** (afbild. C, D):  
• **Montering af spoleventilen:**  
Forbind rørene som vist på mærket:  
- **3/2 NL funktion:**  
Tryk indløb ved port 1 (1/2). trykudløb ved port 2. Udløb ved port 3 (1/2) Udløb fra retrooperatorens fjederkamre i den enkeltvirkende version er ledt gennem ventilen til 1/2" Port 3. Det anbefales at beskytte port 5 (hvis den ikke er i brug) - **den må ikke tætnes.**  
- **5/2 funktion:**  
Tryk indløb ved port 1 (1/2). Trykudløb ved portene 2 og 4.

Udstømningen bliver ledt gennem ventilen til portene 3 og 5 (1/2).

**ELEKTRISK FORBINDELSE**  
**Før der foretages nogen handlinger, skal den elektriske strøm slås fra komponenterne.**  
Alle skruer skal spændes til et passende moment for indkøring. Udfor tilslutningen til jorden for versioner > 48 V.  
• **IP65-læksikker integrale styredel version (afbild. A):**  
Monter spolen på røret (drejelig 360° rundt) og derefter: Aftagelig konnektor til ISO 4400 / EN 175301-803, form A (når installeret korrekt giver IP-65 beskyttelse).

• **Versioner med magnetpolehoveder med ASCO interface:**  
Se de ekstra installationsinstruktioner der følger med hvert magnetpolehovede.

• **Version med CNOMO monteringsplade:**  
Se de ekstra installationsinstruktioner der følger med hver pilotventil.

• **Generelle anbefalinger:**  
Elektriske forbindelser skal udføres af kvalificeret personale og i følge de gældende lokale standarder og forskrifter. Forsigtig:  
- Afhængig af strømstyrken, skal elektriske komponenter jordforbindes i følge de lokale standarder og forskrifter. De fleste ventiler er udstyret med spoler der er konstrueret til kontinuerlig drift. For at forebygge personskader må man ikke røre magnetenheden, som kan blive meget varm under normale driftsomstændigheder. Hvis der er let adgang til magnetventilen, skal installatorerne sørge for beskyttelse mod kontakt med magnetenheden ved et uheld.

**VEDLIGEHOLD**  
**⚠ Før der foretages noget vedligeholdelsesarbejde, eller start af drift, skal den elektriske strøm slås fra, trykkes udløses og ventilen skal lufte for at forebygge personskader eller skader på apparatur.**  
**ATEX-versioner: Følg omhyggeligt alle procedurer, der anbefales af direktiv 99/92/EF og tilhørende standarder.**

• **Rengøring**  
Vedligehold af ventilerne afhænger af driftsomstændigheder. De skal gøres rent med regelmæssige mellemrum. Under vedligeholdelsesarbejdet skal komponenterne ses efter for unormal stærk slidtage. Komponenterne skal gøres rene når man mærker en nedsættelse i cyklusens hastighed, selvom styredelens tryk er korrekt, eller hvis der opstår en usædvanlig lyd eller lækage.

• **Lyd**  
Lydstyrken afhænger af brugen, mediet og den type udstyr der er brugt. Den præcise iagttagelse af lydniveauet, kan kun blive gjort af den bruger, der har ventilen installeret i sit system.

• **Forebyggende vedligehold**  
- Kør ventilen mindst en gang om måneden for at kontrollere dens funktion.  
- I tilfælde af at der opstår problemer under vedligeholdet, kontakt ASCO Numatics eller en af dennes autoriserede repræsentanter.

• **Fejllokalisering**  
- Forkert udstømningsstryk: Kontroller trykket på tilførselsiden af ventilen; det skal korrespondere med de værdier der er angivet på fabrikksskiltet.  
*Forsigtig: overhold minimum pilotens trykværdi på 2bar.* For at undgå personskader eller skader på apparatur, skal der kontrolleres om ventilen fungerer korrekt, før den sættes i drift igen.

• **Reserve dele**  
Spoler er til rådighed som reserve dele. Om nødvendigt, skift hele ventilen ud.



<b>ASCO</b>	<b>INSTRUÇÕES DE INSTALAÇÃO E MANUTENÇÃO</b> Válvulas solenóides monoestáveis da série 553 para aplicações de segurança Corpo de alumínio ou aço inoxidável, rosca de 1/2" - Interface NAMUR, de acordo com a norma IEC 61508 (acordo SIL)	<b>3/2 NC</b> <b>5/2</b>	<b>PT</b>

#### DESCRIÇÃO DA APROVAÇÃO

Versões relacionadas com a aprovação:  
Apenas para a série 553, corpo de alumínio ou aço inoxidável, monoestável (retorno da mola), função 3/2 NC (normalmente fechada) ou 5/2, versão isolada da atmosfera exterior. Versões sem sobreposição manual ou com sobreposição manual de tipo impulso:

- com ligação de rosca de 1/2" (Não ligue o fornecimento de pressão à porta de escape 3. A construção "ambientalmente protegida" não está adaptada para uma função "de distribuição" ou utilização na função NO. Contacte-nos para saber as funções disponíveis em versões específicas.)

- com interface NAMUR para montagem directa de accionadores pneumáticos de acção individual (função 3/2 NC) ou acção dupla (função 5/2). A função da válvula é convertível de 3/2 NC para 5/2 através da montagem da placa de interface 3/2 NC ou 5/2 fornecida na parte inferior da válvula (Fig. C, D, ref. 1a e 1b). (Ligue o fornecimento de pressão à porta de escape 3. A construção "ambientalmente protegida" não está adaptada para a função NO. Contacte-nos para saber as funções disponíveis na versão específica.)

A utilização de qualquer outro produto é proibida e não constitui uma parte desta aprovação.

A norma IEC 61508 descreve um conjunto de requisitos gerais para cada fase no ciclo de vida de um sistema de segurança. A análise da fiabilidade realizada pela EXIDA demonstrou que estes distribuidores e eletrodistribuidores podem ser utilizados no sistema de gestão da segurança (SRS) até e incluindo o nível SIL 2 com um HFT = 0 e até e incluindo o nível SIL 3 com um HFT = 1 com o nível de HFT requisitado baseado na rota 2H conforme a norma CEI 64508-2 : 2010. A síntese dos resultados de ensaios e os dados de fiabilidade constam nas páginas 35 e 36 deste documento. Para instalação, manutenção, teste e colocação em serviço destas válvulas, é recomendado utilizar o manual de segurança (V9629), colocado à disposição na página de internet «[www.asconumatics.eu](http://www.asconumatics.eu)». Todas as indicações e disposição descritas nas instruções gerais de instalação e manutenção são a base dos documentos acima mencionados. Para garantir a fiabilidade, todas as disposições adicionais mencionadas tem de ser cumpridas.

- Ligue os tubos para as funções requeridas de acordo com esta documentação e as marcas das portas no produto. (página ...)

- Certifique-se de que não entra nenhuma matéria estranha para evitar o bloqueio do funcionamento da válvula. Restrinja a utilização de fita vedante ou material vedante a um mínimo.

- Estas válvulas destinam-se à utilização com ar seco e limpo ou gás inerte. Filtragem mínima recomendada: 50 micrões. O ponto de condensação do fluido utilizado tem de estar a pelo menos -20°C (36°F) abaixo da temperatura mínima a que o fluido possa estar exposto. Quando utilizar ar lubrificado, o lubrificante tem de ser compatível com os elastómeros utilizados. O ar do instrumento em conformidade com as normas ANSI/ISA S7.3 (1975) excede os requisitos necessários e é, por isso, um fluido aceitável para estas válvulas.

- Todas as portas de saída das válvulas e dos pilotos têm de ser protegidas com os protectores de saída de aço inoxidável fornecidos com o produto (ver ref. 3). Quando utilizadas numa ligação do tubo, as válvulas têm de ser protegidas com (um) filtro(s) adequado(s). Ligue estes protectores de saída à porta 3 (3/2 NC) ou às portas 3 - 5 (5/2) das válvulas. A fiabilidade da válvula não pode ser garantida, se não utilizar a protecção de saída fornecida. Neste caso, contacte a ASCO ou um dos representantes autorizados.

- Pressão de trabalho máxima:

- de 2 a 10,4 bar

- de 2 a 8 bar (195-LISC)

⚠ No caso de um produto equipado de um comando manual com bloqueio, a função de segurança do produto não é mais assegurada quando ativada. Não esquecer de desbloquear para colocar o produto na sua configuração de segurança.

#### DESCRIÇÃO

Versões ATEX 94/9/CE: Consulte as "Condições especiais para utilização segura".

Versões isoladas da atmosfera: As partes internas da válvula estão isoladas da atmosfera exterior para fornecer protecção em ambientes agressivos. Todas as portas de saída da válvula de carretos são ligáveis, fornecendo melhor protecção ambiente, recomendada especialmente para áreas sensíveis, como aplicações e salas limpas na indústria farmacêutica ou alimentar. É necessário ligar tubos ou acessórios às portas de saída para proteger as partes internas da válvula de carretos, se utilizada no exterior ou em ambientes severos (poeiras, líquidos, etc.).

#### CONDIÇÕES ESPECIAIS PARA UTILIZAÇÃO SEGURA

ATEX 94/9/CE: A válvula tem de ser ligada à terra (ref. F). Condições de armazenamento: protegida da exposição às condições meteorológicas; temperatura de armazenamento: de -40°C a +70°C; humidade relativa: 95 %

A válvula de carretos deve ser mantida na embalagem original enquanto não for utilizada. Não deve remover as tampas de protecção das portas de ligação e dos operadores de solenóide.

temperatura ambiente: -25°C (alumínio), -40°C (aço inoxidável) a +60°C

A temperatura máxima do fluido não deve exceder a temperatura ambiente.

Depois do armazenamento a baixa temperatura, as válvulas de carretos têm de ficar gradualmente à temperatura de funcionamento antes da pressurização.

Se, na Zona 1, Grupo IIC, se utilizar a série 553 com piloto integrado, tem que proteger-se o produto contra o fluxo do ar ambiente e a fricção para evitar a carga eletrostática no alojamento do material sintético. Durante a instalação e a manutenção, deve evitar-se usar panos secos e/ou fricção na superfície da cabeça magnética.

As válvulas de carretos devem ser utilizadas de acordo com as especificações técnicas especificadas na placa de identificação. As alterações aos produtos só podem ser efectuadas após consulta ao fabricante ou ao seu representante. **Estas válvulas de carretos de solenóide foram concebidas para operar com ar filtrado ou gás neutro.** Não exceda a pressão máxima admissível da válvula = 8/10,4 bar. A instalação e a manutenção da válvula devem ser efectuadas apenas por pessoal qualificado.

• Versões operadas a ar IP65 standard ou versões para utilização em atmosferas explosivas provocadas por gases, vapores, névoas ou poeiras de acordo com a Directiva ATEX 94/9/CE. (A classificação da zona desta versão é indicada na etiqueta ATEX, ref. E2).

E2/Código de segurança: **II 2 GD c Ta 60°C T85°C (T6).**

A conformidade com os requisitos essenciais de saúde e segurança foi garantida de acordo com as normas europeias **EN 13463-1**.

• Versões operadas a ar equipadas com operadores de solenóide:

- IP65 vedada ou

- certificada para utilização em atmosferas explosivas de acordo com a Directiva ATEX 94/9/CE

• Versões com piloto integral, IP65 classificada como standard, ou para utilização em atmosferas explosivas II 3D IP65 ou ATEX Ex m, em.

• Versões com operadores de solenóide e base de montagem ASCO, IP65 classificada como standard, ou para utilização em atmosferas explosivas II 3D IP65 ou ATEX/IECEx Ex d, m, em, ia.

• Versões com pilotos e base de montagem CNOMO E06.05.80 (tamanho 30) ou CNOMO E06.36.120N (tamanho 15), IP65 classificada como standard, ou montagem de pilotos para utilização de acordo com a ATEX Ex d ou a Ex ia.

• Precaução (Pilotos CNOMO): A colocação de válvulas em zonas (ATEX 1999/92/CE) é definida na primeira linha pelas indicações da etiqueta (ref. E2) no corpo de cada válvula.

E2/Código de segurança: **II 2 GD c Ta 60°C T85°C (T6).**

<b>ASCO</b>	<b>INSTRUÇÕES DE INSTALAÇÃO E MANUTENÇÃO</b> Válvulas solenóides monoestáveis da série 553 para aplicações de segurança Corpo de alumínio ou aço inoxidável, rosca de 1/2" - Interface NAMUR, de acordo com a norma IEC 61508 (acordo SIL)	<b>3/2 NC</b> <b>5/2</b>	<b>PT</b>

Quando montar este produto num piloto para ATEX 94/9/CE, tenha em atenção a temperatura, pressão de trabalho máxima e a categoria menos favorável. A conformidade com os requisitos essenciais de saúde e segurança foi garantida de acordo com as normas europeias **EN 13463-1**.

Tem de cumprir a posição de montagem dos pilotos como apresentado nas figuras de 5/6/7/8/10 e os binários de aperto indicados.

Para operadores de solenóide e pilotos ATEX 94/9/CE, as instruções de utilização fornecidas nas instruções de instalação específicas fornecidas com o produto têm de ser cumpridas.

#### MONTAGEM

⚠ Versões ATEX 94/9/CE: Certifique-se de que todas as peças condutoras ou metálicas estão sempre interligadas e ligadas à terra. O corpo da válvula fica ligado à terra com o parafuso de aperto (ref. F).

As válvulas podem ser montadas em qualquer posição.

Versões 1/2 de portas com rosca (fig. A, B):

Monte a válvula com dois parafusos (rep. F) (não fornecida).

Com versões de interface NAMUR (fig. C, D):

Antes de montar a válvula de carretos no operador, tem de definir para a função requerida:

- Seleccione a interface correspondente à função requerida: 3/2 NC ou 5/2 (rep. 1a ou 1b).

- Certifique-se de que o vedante está instalado correctamente (rep.7)

- Monte a interface debaixo da válvula de carretos com os 2 parafusos fornecidos. Certifique-se de que a indicação da função fica no lado de retorno (ranhura de polarização).

- Instale os dois o-rings (rep. 9)

- Se necessário, instale o perno guia no operador:

• Na placa de funções da 3/2 NC: o orifício de 5 de diâmetro está na A3/A1.

• Na placa de funções da 5/2: o orifício de 5 de diâmetro está na A3/A2.

#### LIGAÇÃO PNEUMÁTICA

Dependendo da versão (3/2 NC ou 5/2), um dos protectores de saída de aço inoxidável tem de ser utilizado.

• Ligação da versão de piloto pneumático:

G 1/4 ou NPT 1/4.

• Ligação de escapes do piloto

- Ligue a porta de escape QM5, G1/8-NPT1/8

• Sobreposição manual (rep. 10)

Dependendo da versão, os produtos são fornecidos sem sobreposição manual ou com sobreposição manual de tipo impulso para funcionamento sem corrente.

• Recomendações gerais para ligação pneumática

Ligue os tubos para as funções requeridas de acordo com esta documentação e as marcas das portas no produto.

Certifique-se de que não entra nenhuma matéria estranha no sistema.

Apoie e alinhe correctamente os tubos para impedir o esforço mecânico da válvula. Quando apertar, não utilize a válvula como uma alavanca; coloque as chaves de bocas junto ao ponto de ligação. Para evitar danos no equipamento, NÃO APERTE EXCESSIVAMENTE as ligações do tubo.

• Versões com porta de rosca de 1/2" (fig. A, B):

• Ligação da válvula de carretos:

Ligue os tubos como indicado na etiqueta:

- Função 3/2 NC:

Entrada de pressão na porta 1 (1/2). Saída de pressão na porta 2. Escape na porta 3 (1/2).

- Função 5/2:

Entrada de pressão na porta 1. Saída de pressão nas portas 2 e 4. Os escapes são canalizados através da válvula para as portas 3 e 5.

• Versão com interface NAMUR (fig. C, D):

• Ligação da válvula de carretos

Ligue os tubos como indicado na etiqueta:

- Função 3/2 NC:

Entrada de pressão na porta 1 (1/2). Saída de pressão na porta 2. Escape na porta 3 (1/2). Escape a partir das câmaras da

mola de retorno do operador na versão de acção individual através da válvula para a porta 3 de 1/2". Recomendamos que proteja a porta 5 (se não utilizada) - não a pare.

- Função 5/2:

Entrada de pressão na porta 1 (1/2). Saída de pressão nas portas 2 e 4. Os escapes são canalizados através da válvula para as portas 3 e 5 (1/2).

#### LIGAÇÃO ELÉCTRICA

Antes de efectuar qualquer intervenção, desligue a corrente eléctrica para desactivar os componentes.

Todos os bornes de parafusos têm de ser apertados de acordo com o binário apropriado, antes da entrada em funcionamento. Faça a ligação à terra para versões > 48 V.

• Versão de piloto integral vedado IP65 (Fig. A):

Instale a bobina no tubo (rotação de 360°) e, em seguida: Conector amovível para ISO 4400 / EN 175301-803, form A (quando instalada correctamente, esta ligação fornece a protecção IP-65)

• Versões com cabeças solenóides com interface ASCO: Consulte as instruções de instalação adicionais fornecidas com todas as cabeças solenóides.

• Versão com base de montagem CNOMO:

Consulte as instruções de instalação adicionais fornecidas com todas as válvulas piloto.

• Recomendações gerais:

As ligações eléctricas têm de ser efectuadas por pessoal qualificado e de acordo com os regulamentos e as normas locais aplicáveis.

Precaução:

- Dependendo da voltagem, os componentes eléctricos têm de ser ligados à terra de acordo com os regulamentos e as normas locais.

A maior parte das válvulas está equipada com bobinas concebidas para trabalho contínuo. Para evitar lesões corporais, não toque no operador de solenóide que pode ficar quente em condições de funcionamento normais.

Se a válvula tiver acesso fácil, o instalador deve utilizar equipamento de protecção para evitar qualquer contacto acidental com o operador de solenóide.

#### MANUTENÇÃO

⚠ Antes de efectuar qualquer trabalho de manutenção ou operação, desligue a corrente eléctrica, despressurize e descarregue a válvula para evitar lesões corporais ou danos no equipamento.

Versões ATEX: Cumpra todos os procedimentos recomendados pela Directiva 99/92/CE e normas associadas.

• Limpeza

A manutenção das válvulas depende das condições de funcionamento. Tem de ser limpas em intervalos regulares. Deve verificar se os componentes têm um desgaste excessivo durante a assistência. Tem de limpar os componentes quando uma desaceleração do ciclo apesar da pressão do piloto estar correcta ou se detectar uma fuga ou ruído pouco usual.

• Emissão de som

A emissão de som depende da aplicação, material e tipo de equipamento utilizado. A determinação exacta do nível de som só pode ser efectuada pelo utilizador com a válvula instalada no sistema.

• Manutenção preventiva

- Opere a válvula pelo menos uma vez por mês para verificar o funcionamento.

- Se detectar algum problema durante a manutenção ou em caso de dúvida, contacte a ASCO Numatics JOURNAL ou um dos representantes autorizados.

• Resolução de problemas

- Pressão de saída incorrecta: Verifique a pressão no lado de fornecimento da válvula; tem de corresponder aos valores indicados na placa de identificação.

Precaução: cumpra valor mínimo de pressão do piloto de 2 bar. Para evitar lesões corporais ou danos no equipamento, verifique se a válvula funciona correctamente antes de voltar a colocar em funcionamento.

• Peças sobresselentes

As bobinas estão disponíveis como peças sobresselentes. Se necessário, substitua a válvula inteira.





<b>ASCO</b>	<b>POKYNY PRO INSTALACI A ÚDRŽBUTIONS</b>	<b>3/2 NC</b> <b>5/2</b>	<b>CZ</b>
	Monostabilní řada 553 solenoidových ventilů pro bezpečné použití Tělo z hliníku nebo nerezové oceli, 1/2" závit – rozhraní NAMUR, podle normy IEC 61508 (schválení SIL)		

**POPIS CERTIFIKACE**

Verze, kterých se tato certifikace týká, index SL: Radý 553, tělo z hliníku nebo nerezavějící oceli, monostabilní (vratná pružina), 3/2 NC (rozpínaví) funkce nebo 5/2, verze izolovaná od okolního prostředí. Verze bez ručního ovládání nebo s ručním ovládáním pulzního typu:

- se závitovým spojem 1/2" (Nepřipojujte zásobování tlakem k výfukovému otvoru 3. Konstrukce „chráněná životním prostředím“ není přizpůsobena „distribuční“ funkci nebo použití s funkcí NO. Kontaktujte nás ohledně funkcí dostupných u specifických verzí.)

- s rozhraním NAMUR pro přímou montáž na jednočinný (funkce 3/2 NC) nebo dvojitý (funkce 5/2) pneumatický pohon. Funkci ventilu lze měnit z 3/2 NC na 5/2 namontováním dodané desky rozhraní 1/2" NC nebo 5/2 na spodní stranu ventilu (obr. C a D, ref. 1a a 1b). (Nepřipojujte zásobování tlakem k výfukovému otvoru 3. Konstrukce „chráněná životním prostředím“ není přizpůsobena funkci NO. Kontaktujte nás ohledně funkce dostupné u specifické verze.)

**Použití jakéhokoliv jiného produktu je zakázáno a nepředstavuje součást tohoto schválení.**

Norma IEC 61508 popisuje soustavu obecných požadavků pro jednotlivé fáze cyklu životnosti bezpečnostního systému. Analýza spolehlivosti provedená institutem EXIDA prokázala, že tyto distributory a elektrické distributory lze použít v systému řízení zabezpečení (SMS) až do SIL 2 při HFT = 0 včetně a až do SIL 3 při HFT = 1 včetně s požadovanou úrovní HFT na základě cesty 2H v souladu s normou CEI 61508-2 : 2010.

Souhrn výsledků testu a údajů o spolehlivosti je na straně 35 a 36 tohoto dokumentu. Při instalaci, údržbě, testování a uvádění těchto ventilů do výroby doporučujeme použití návodu k zabezpečení (V9629), který najdete na webových stránkách [www.asconumatics.eu](http://www.asconumatics.eu). Zklad výše uvedených dokumentů tvoří všechny údaje a opatření uvedená v obecných pokynech k instalaci a údržbě. Aby byla zajištěna spolehlivost, je nutné dodržovat také všechna další opatření zmíněná dále v tomto textu. Připojte potrubí pro požadované funkce podle této dokumentace a označení otvorů na výrobku.

- Zjistěte, aby se do obvodu nedostala žádná cizí látka a nedošlo tak k zablokování funkce ventilu. Omezte na minimum použití těsnic pásky nebo těsnící hmoty.

- Ventil jsou určeny pro použití s čistým a suchým vzduchem nebo inertním plynem. Doporučená minimální filtrace: 50 mikronů. Rosný bod kapaliny musí být alespoň -20 °C (36 °F) pod minimální teplotou, které může být kapalina vystavena.

Při použití mazacího vzduchu musí být mazivo kompatibilní s použitými elastomery. Přístrojový vzduch odpovídající normě ANSI/ISA S7.3 (1975) převyšuje nezbytné požadavky a je proto pro tyto ventily přijatelnou kapalinou.

Všechny výfukové otvory ventilů a piloty musí být chráněny výfukovými chrániči z nerezové oceli dodávanými s výrobkem (viz kap. 3). Pokud jsou ventily použity u trubkového spojení, musí být chráněny vhodným(i) filtrem(y). Připojte chrániče výfuku k portu 3 (3/2 NC) nebo portům 3 – 5 (5/2) ventilů.

Při použití jiného chrániče než toho, který byl dodán s výrobkem, nelze garantovat spolehlivost ventilu. V tomto případě se obraťte na společnost Asco nebo na některého z našich autorizovaných zástupců.

- Maximální pracovní tlak:  
- 2 až 10,4 bar  
- 2 až 8 bar (195-LISC)

**⚠ Pamatujte, že funkce zabezpečení produktu není zajištěna, pokud je produkt vybaven aktivovaným ručním ovládáním zámku. Nezapomeňte jej deaktivovat, aby se obnovila bezpečnostní konfigurace produktu.**

**POPIS**

Verze ATEX 94/9/EC: Viz „Speciální podmínky pro bezpečné používání“.

Verze izolované od okolního prostředí: Vnitřní části ventilu jsou izolovány od okolního prostředí, aby byla zajištěna ochrana v agresivních prostředích. Všechny výfukové otvory cívkového ventilu lze připojit k potrubí, což poskytuje lepší ochranu životního prostředí, a zvláště se to doporučuje v citlivých oblastech, např. v čistých provozech a aplikacích ve farmaceutickém nebo potravinářském průmyslu. K výfukovým otvorům je třeba připojit potrubí nebo armaturu, aby byly chráněny vnitřní části cívkového ventilu, je-li použit venku, v drsném prostředí (prachy, kapaliny atd.).

**SPECIÁLNÍ PODMÍNKY PRO BEZPEČNÉ POUŽÍVÁNÍ**

Cívkový ventil ponechte v originálním balení, dokud ho nebudete ATEX 94/9/EC: Ventil musí být uzemněn (ref. F).

Podmínky pro skladování: chraňte před povětrnostními vlivy; teplota skladování: -40 °C až +70 °C; relativní vlhkost: 95 % Cívkový ventil ponechte v originálním balení, dokud ho nebudete používat. Nesmítejmte ochranné kryty z připojovacích otvorů a solenoidních pohonů.

Okolní teplota: -25 °C (hliník), -40 °C (nerezové oceli) až +60 °C Maximální teplota kapaliny nesmí převýšit okolní teplotu.

**Při skladování v nízkých teplotách musí být cívkové ventily před zvýšením tlaku postupně zahřáty na provozní teplotu.** Je-li v zóně 1, skupina IIC, ovládání udělané ze série 553 s integrovaným pilotem, musí být produkt chráněn před prouděním okolního vzduchu a třením, aby se na plásti ze syntetického materiálu zabránilo vzniku elektrostatického náboje. Při instalaci a údržbě je třeba se u povrchu magnetické hlavy vyvarovat otírání suchým hadříkem a/nebo třením.

Cívkové ventily je možné používat v rámci technických charakteristik uvedených na typovém štítku. Změny těchto produktů mohou být provedeny pouze po konzultaci s výrobcem nebo jeho představitel. **Tyto solenoidové cívkové ventily jsou určeny pro použití s filtrovaným vzduchem nebo neutrálním plynem.** Nepřekračujte maximální možný tlak ventilu = 8/10,4 bar. Upozornění: Sledujte minimální tlak pilota 2 bary. Instalaci a údržbu ventilu smí provádět pouze kvalifikované osoby.

• Standardní, vzduchem ovládané verze s krytím IP65 nebo verze pro použití ve výbušném prostředí vyvolaném plynem, výpar, mlhou nebo prachem podle směrnice ATEX 94/9/EC. (Klasifikační zóny pro tuto verzi je stanovena na typovém štítku ATEX, ref. E2).

E2/bepečnostní kód: **II 2GD IIC X Ta 60°C T85°C (T6).**

Shoda se základními požadavky na ochranu zdraví a bezpečnosti je zajištěna shodou s evropskou normou **EN 13463-1**.

• Solenoidové verze ovládané vzduchem osazené solenoidovým pohonem:

- utěsněny podle IP65 nebo certifikovány pro použití ve výbušném prostředí podle směrnice ATEX 94/9/EC

• Verze se základním pilotem a krytím IP65 jako standard, nebo pro použití ve výbušném prostředí II 3D IP65 nebo ATEX Ex m, em

• Verze se solenoidovým pohonem s montážní deskou ASCO, standardně s krytím IP65, nebo pro použití ve výbušném prostředí II 3D IP65 nebo ATEX/IECEx Ex d, m, em, ia.

• Verze s piloty s montážní deskou CNOMO E06.05.80 (velikost 30) nebo CNOMO E06.36.120N (velikost 15), standardně s krytím IP 65, nebo s namontovanými piloty pro použití ve výbušném prostředí podle ATEX Ex d nebo Ex ia. **Upozornění (piloty CNOMO): Umístění ventilů do zón (ATEX 1999/92/EC) je v první řadě definováno údaji na štítku (ref. E2) na těle každého ventilu.**

E2/bepečnostní kód: **II 2GD IIC X Ta 60°C T85°C (T6).**

Při sestavování výrobku s pilotem podle směrnice ATEX 94/9/EC vezměte v úvahu nejméně příznivou kategorii, maximální pracovní tlak a teplotu. Shoda se základními požadavky na ochranu zdraví a bezpečnosti je zajištěna shodou s evropskou normou **EN 13463-1**.

Sestavovací pozice pro piloty a indikované utahovací šrouby musejí být následovány, jak je ukázáno v obrázcích 5/6/7/8/10.

**U solenoidových pohonů a pilotů podle směrnice ATEX 49/9/EC je třeba přesně dodržovat pokyny k používání uvedené v konkrétním návodu k instalaci dodaném s výrobkem.**

<b>ASCO</b>	<b>POKYNY PRO INSTALACI A ÚDRŽBUTIONS</b>	<b>3/2 NC</b> <b>5/2</b>	<b>CZ</b>
	Monostabilní řada 553 solenoidových ventilů pro bezpečné použití Tělo z hliníku nebo nerezové oceli, 1/2" závit – rozhraní NAMUR, podle normy IEC 61508 (schválení SIL)		

**MONTÁŽ!**

**⚠ Verze ATEX 94/9/EC:** Všechny kovové a vodivé části musí být vždy vzájemně propojeny a uzemněny. Těleso ventilu je uzemněno pomocí upevňovacího šroubu (ref. F). Ventily lze namontovat v libovolné pozici.

**Verze se závitovými otvory (1/2) (obr. A, B):** Namontujte ventily pomocí dvou šroubů (ref. F) (nedodáno).

**S verzemi rozhraní NAMUR (obr. C, D):** Před namontováním cívkového ventilu na pohon musí být ventil nastaven na požadovanou funkci:

- zvolte rozhraní odpovídající požadované funkci: 3/2 NC nebo 5/2 (ref. 1a nebo 1b).
- Zkontrolujte, zda je těsnění řádně usazeno (ref. 7).
- Namontujte rozhraní pod cívkový pohon 2 dodávanými šrouby (ref. 8). Zkontrolujte, zda je označení funkce umístěno na vratné straně (polarizační otvor).
- Upevněte dva o-kroužky (ref. 9).
- V případě nutnosti upevněte na pohon spojovací kolík.
- Na desce s funkcí 3/2 NC: Ø 5 průměr otvoru je u A3/A1.
- Na desce s funkcí 5/2: Ø 5 průměr otvoru je u A3/A2.

**PNEUMATICKÉ ZAPOJENÍ**

V závislosti na verzi (3/2 NC nebo 5/2) je nutno použít jeden nebo oba chrániče výfuku z nerezavějící oceli dodané s každým produktem.

- Připojení verze s pneumatickým pilotem: G 1/4 nebo NPT 1/4.
- Připojení výfuků pilotu - Připojte výfukový otvor Ø M5, G 1/8 nebo NPT 1/8

• Ruční ovládání (ref. 10) V závislosti na verzi se výrobky dodávají bez ručního ovládání nebo s ručním ovládáním pulzního typu pro provoz bez napájení.

• Obecná doporučení pro připojení vzduchu Připojte potrubí pro požadovanou funkci podle této dokumentace a označení otvorů na výrobku. Zajistěte, aby se do systému nedostala žádná cizí látka. Potrubí vhodné podepřete a vyrovnajte, aby nedocházelo k mechanickému namáhání ventilu. Při dotahování nepoužívejte ventil jako páku. Klíče umístěte co nejbližší k bodu přiložení. Abyste zabránili poškození zařízení, NEUTAHOJTE PRILIS připojení potrubí.

• Verze závitových otvorů 1/2 (obr. A, B):  
- Připojení cívkového ventilu: Připojte potrubí podle označení na štítku:  
- Funkce 3/2 NC: Tlakový vstup – otvor 1 (1/2). Tlakový výstup – otvor 2. Výfuk – otvor 3 (1/2).  
- Funkce 5/2: Tlakový vstup – otvor 1. Tlakový výstup – otvory 2 a 4. Výfuk je veden ventilem do otvorů 3 a 5.

• Verze s rozhraním NAMUR (obr. C, D):  
- Připojení cívkového ventilu Připojte potrubí podle označení na štítku:  
- Funkce 3/2 NC: Tlakový vstup – otvor 1 (1/2). Tlakový výstup – otvory 2 a 4. Výfuk – otvor 3 (1/8). Výfuk z komor vratné pružiny pohonu je v jednočinné verzi veden ventilem do otvoru 3. Toto je doporučení zajišťující ochranu otvoru 5 (není-li použit) - nepokračete nad ním.

- Funkce 5/2: Tlakový vstup – otvor 1 (1/2). Tlakový výstup – otvory 2 a 4. Výfuk je veden ventilem do otvorů 3 a 5 (nebo 1/2).

**ELEKTRICKÉ ZAPOJENÍ**

Před zahájením zásahu vypněte elektrický proud napájející komponenty. Před zahájením provozu musejí být všechny šroubové spoje dotaženy odpovídajícím utahovacím momentem. Proveďte připojení na Zemi verze > 48 V.

- Verze základního pilotu utěsněná IP-65 (obr. A): Namontujte cívku na trubičku (otočenou o 360°) a potom na snímatelný konektor ISO 4400/EN 175101-803A (průměr kabelu 6-10 mm) otočný o 90° (3 piny: 2 + uzemnění).
- Verze se solenoidními hlavami s rozhraním ASCO: Viz další pokyny k instalaci dodané s konkrétním solenoidovým hlavou.
- Verze s montážní deskou CNOMO: Viz další pokyny k instalaci dodané s konkrétním pilotním ventilem.

- Obecná doporučení: Elektrické zapojení musí provést kvalifikovaná osoba podle platných místních norem a předpisů. Upozornění:  
- V závislosti na napětí musí být elektrické komponenty uzemněny podle místních norem a předpisů. Většina ventilů je vybavena cívkami určenými pro nepřetržitý provoz. Nedotýkejte se solenoidového pohonu, který může být za normálních provozních podmínek horký, aby nedošlo k úrazu. Pokud je ventil snadno přístupný, musí se montér chránit před náhodným kontaktem se solenoidovým pohonem.

**ÚDRŽBA**

**⚠ Před prováděním jakékoli údržby nebo uváděním do provozu ventil vypněte, snižte tlak a odvodněte, abyste zabránili nebezpečí úrazu nebo poškození zařízení. Verze ATEX: Přesně dodržujte všechny postupy doporučené směrnici 99/92/EC a přidruženými normami.**

- Čištění Údržba ventilů souvisí s provozními podmínkami. Ventily se musí pravidelně čistit. Během servisních prací je třeba zkontrolovat, zda nejsou komponenty nadměrně opotřebený. Komponenty je třeba vyčistit, pokud zpozorujete zpomalování cyklu, dokonce i tehdy, když je v pořádku tlak v pilotu, nebo v případě zjištění neobvyklého zvuku nebo netěsnosti.
- Vydávání zvuku Emise hluku závisí na aplikaci, médiu a typu použitého vybavení. Přesné stanovení hladiny zvuku může provést pouze uživatel po instalování ventilu do systému.
- Preventivní údržba - Ventil použijte alespoň jednou měsíčně, abyste zkontrolovali jeho funkčnost. - Pokud během údržby narazíte na potíže nebo si nebudete jisti, obraťte se na ASCO Numatics nebo na některého z našich autorizovaných zástupců.
- Odstraňování problémů - Nesprávný výstupní tlak: Zkontrolujte tlak na vstupní straně ventilu. Tlak musí odpovídat hodnotám uvedeným na typovém štítku. **Upozornění: Sledujte minimální tlak pilota 2 bary.** Než uvedete ventily opět do provozu, zkontrolujte, zda funguje správně, abyste zabránili úrazu nebo poškození zařízení.
- Náhradní díly Cívky jsou k dispozici jako náhradní díly. V případě potřeby vyměňte celý ventil.

<b>ASCO</b>	<b>INSTRUKCJA MONTAŻU I KONSERWACJI</b> Seria Monostable 553 zaworów elektromagnetycznych przeznaczonych do zastosowań zabezpieczających Korpus aluminiowy lub ze stali nierdzewnej, gwint 1/2" – przyłącze NAMUR, zgodność z normą IEC 61508 (aprobata SIL)	<b>3/2 NC</b>	<b>PL</b>
		<b>5/2</b>	

**OPIS ATESTACJI**  
Wersje objęte atestacją, przyrostek SIL:  
Seria 553, korpus aluminiowy lub ze stali nierdzewnej, monostabilne (sprężyna powrotna), wersja 3/2 NC (normalnie zamknięte) lub 5/2, wersja odizolowana od atmosfery zewnętrznej. Wersje bez sterowania ręcznego lub z impulsowym sterowaniem ręcznym:  
**- z gwintem 1/2" (Nie podłączać ciśnienia wejściowego do otworu wylotowego 3.** Konstrukcja „zabezpieczona środowiskowo” nie jest przystosowana do funkcji dystrybucji ani eksploatacji w funkcji NO (normalnie otwarte). W sprawie funkcji dostępnych w określonych wersjach prosimy o kontakt z nami.)

- z przyłączem NAMUR do montażu bezpośredniego w siłownikach pneumatycznych jednostronnego (funkcja 3/2 NC) lub dwustronnego (funkcja 5/2) działania. Funkcję zaworu można zmienić z 3/2 NC na 5/2 przez zamontowanie dostarczonej płytki przyłączeniowej 1/32 NC lub 5/2 u dołu zaworu (rys. C.1 D, poz. 1a i 1b). (Nie podłączać ciśnienia wejściowego do otworu wylotowego 3). Konstrukcja zabezpieczona przed wpływem czynników atmosferycznych nie jest przystosowana do funkcji NO (normalnie otwarte). W sprawie funkcji dostępnych w określonych wersjach prosimy o kontakt z nami.)  
**Użycie wszelkich innych produktów jest zabronione i nie jest objęte niniejszym atestatem.**

Norma IEC 61508 zawiera zestaw wymagań ogólnych dotyczących poszczególnych faz cyklu eksploatacji systemu zabezpieczeń. Przeprowadzona przez EXIDA analiza niezawodności wykazała, że niniejsze rozdzielacze i zawory elektromagnetyczne mogą być stosowane w Systemie Zarządzania Jakością (Safety Management System – SMS) z maksymalnie 2. poziomem nienaruszalności bezpieczeństwa (SIL) względnie przy HFT = 0 oraz z maksymalnie 3. poziomem nienaruszalności bezpieczeństwa (SIL) względnie przy HFT = 1, gdzie wymagany poziom BFT określa się na podstawie Ścieżki 2H zgodnie z normą CEI 61508-2: standard 2010. Zestawienie dotyczące wyników prób testowych oraz dane dotyczące niezawodności znajdują się na stronach 351-363 niniejszego dokumentu. Podczas instalacji, konserwacji, testowania oraz oddania do użytkowania zaleca się korzystanie z instrukcji bezpieczeństwa (V0629); dokument ten jest dostępny na naszej stronie internetowej: [www.ascomatics.eu](http://www.ascomatics.eu). Wszelkie oznaczenia i zapisy zawarte w ogólnych instrukcjach instalacji konserwacji stanowią podstawę wspomnianych dokumentów. W celu zapewnienia niezależności należy również przeszkodzić wszelkim regulacji i zapisów wymienionych dalej. Rury przeznaczone do różnych zastosowań należy podłączać zgodnie z niniejszą dokumentacją i oznaczeniami podłączeń na produkcie. Należy się upewnić, że do obwodu nie dostały się żadne ciała obce, mogące zablokować pracę zaworu. Należy ograniczyć do minimum użycie taśmy uszczelniającej lub innych materiałów uszczelniających. Niniejsze zawory są przeznaczone do użytku w czystym i suchym powietrzu lub objętośnym odcieniu gazowym. Zalecany minimalny poziom filtracji: 50 mikronów. Punkt rosny używanego gazu musi być przynajmniej o -20°C (36°F) niższy od minimalnej temperatury ekspozycji gazu.

W przypadku stosowania powietrza lub sprężonego powietrza nawilżającego musi być zgodny z używanymi elastomerami. Powietrze pomiarowe spełniające wymogi normy ANSI/ISA 57.3 (1975) wykracza poza niezbędne wymagania, w związku z czym może być stosowane wraz z zaworami.

- Wszystkie otwory wylotowe zaworów i pilotów muszą być zabezpieczone ochraniającymi wylotowymi ze stali nierdzewnej dostarczonymi z produktem (patrz 3). W przypadku stosowania zaworów w instalacjach rurowych, zawory muszą być zabezpieczone odpowiednim filtrem. Podłączyć ochraniające wylotowe do otworu 3 (3/2 NC) lub otworu 3 – 5 (5/2) zaworów.

Niezawodność zaworu nie może być gwarantowana, jeżeli wykorzystano jakikolwiek inny ochraniacz poza dostarczonym. Należy wtedy skontaktować się z firmą ASCO lub jej autoryzowanym przedstawicielem.  
- Maksymalne ciśnienie robocze:  
- od -2 do 10,4 bara  
- 2 do 8 barów (195-LISC)

**⚠ Należy pamiętać, że funkcja zabezpieczająca zaworu nie jest gwarantowana, jeżeli produkt został wyposażony w aktywną, ręczną blokadę działania. Blokadę należy wyłączyć, aby przywrócić działanie zabezpieczające zaworu.**

**OPIS**  
Wersje z atestem ATEX 94/9/WE: Patrz „Specjalne warunki bezpiecznej eksploatacji i obsługi”. Wersje z izolacją chroniącą przed wpływem czynników atmosferycznych: Części wewnętrzne zaworu są odizolowane od atmosfery zewnętrznej w celu zapewnienia ochrony w środowiskach agresywnych. Wszystkie otwory wylotowe zaworu suwakowego mogą być podłączane do rur, co zapewnia lepszą ochronę przed wpływem czynników środowiskowych. Jest to szczególnie przydatne w obszarach o zastraszonych wymaganiach dotyczących czystości/sterylności oraz w branży farmaceutycznej i przetwórstwie żywności. Jeśli zawór jest eksploatowany na zewnątrz lub w trudnych środowiskach (z pyłami, cieczami itp.), do otworów wylotowych trzeba podłączyć rury lub złącza, aby chronić części wewnętrzne zaworu suwakowego.

**SPECJALNE WARUNKI BEZPIECZNEJ EKSPLOATACJI I OBSŁUGI** ATEX 94/9/WE: Zawór musi być podłączony do uziemienia (odn. F). Warunki przechowywania: produkt musi być chroniony przed niekorzystnym działaniem czynników atmosferycznych; Temperatura przechowywania: -40°C do +70°C; wilgotność względna: 95%.

Aż do chwili zamontowania zawór hydroauliczny musi być przechowywany w swoim oryginalnym opakowaniu. Nie wolno zdejmować pokryw ochronnych z portów podłączeniowych, solenoidu i sterowań. Temperatura otoczenia: -25°C (aluminiowy lub), -40°C (stali nierdzewnej) do +60°C. Maksymalna temperatura płynu nie może przekraczać temperatury otoczenia.

Po przechowywaniu w niskiej temperaturze zawory suwakowe **muszą być stopniowo doprowadzone do temperatury roboczej przed wytworzeniem w nich ciśnienia.**

Gdy w strefie 1, grupa IIC, stosowana jest seria 553 ze zintegrowanym pilotem, produkt należy zabezpieczyć przed przepływem powietrza otoczenia i tarciem, aby uniknąć powstawania ładunków elektrostatycznych na obudowie z materiału syntetycznego. Podczas instalacji i konserwacji należy uniknąć noszenia suchej odzieży i/lub tarcia o powierzchnię głowicy magnetycznej.

Zawory suwakowe są przeznaczone do eksploatacji tylko w zakresie parametrów technicznych podanych na tabliczce znamionowej. Zmiany w budowie produktu można wprowadzić tylko po skonsultowaniu ich z producentem lub jego przedstawicielem. **Te elektrozawory suwakowe są przeznaczone do pracy z filtrowanym powietrzem lub gazem obojętnym.** Nie należy przekraczać maksymalnego dopuszczalnego ciśnienia zaworu = 8/10,4 barów. Uwaga: przestrzegać minimalnego ciśnienia pilotowego = 2 bary. Instalacja i konserwacja zaworu musi być przeprowadzana tylko przez wykwalifikowany personel.

• Standardowe wersje pneumatyczne IP65 i wersje do atmosfery wybuchowych (gazy, opary, mgły lub pyły) spełniające wymagania dyrektywy ATEX 94/9/WE. (Klasyfikacja stref dla tej wersji jest podana na tabliczce ATEX, poz. E2).

E2/ kod bezpieczeństwa: II 2GD IIC X Ta 60°C T85°C (T6).

Zgodność z podstawowymi wymogami dotyczącymi zdrowia i bezpieczeństwa została zapewniona dzięki zgodności z normą europejską **EN 13463-1.**

• Wersje pneumatyczne z elementami operacyjnymi elektrozaworu:  
- klasa ochrony IP65 lub  
- certyfikowane do eksploatacji w atmosferach wybuchowych zgodnie z dyrektywą ATEX 94/9/WE

• **Wersje ze zintegrowanym pilotem**, klasa ochrony IP65 w standardzie, lub przeznaczone do atmosfery wybuchowych II 3D IP65 lub ATEX Ex m, em

• **Wersje z elementami operacyjnymi elektrozaworu i podstawą montażową ASCO**, klasa ochrony IP65 w standardzie, lub przeznaczone do atmosfery wybuchowych II 3D IP65 lub ATEX/IECEX Ex d, m, em, ia.

• **Wersje z pilotami i podstawą montażową CNOMO E06.05.80 (rozmiar 30) lub CNOMO E06.36.120N (rozmiar 15)**, klasa ochrony IP65 w standardzie, lub z montażem pilotów do atmosfery wybuchowych zgodnie z ATEX Ex d lub Ex ia. **Uwaga (piloty CNOMO):** Możliwość stosowania zaworów w strefach (ATEX 1999/92/EC) jest podana w pierwszym wierszu tabliczki (poz. E2) na korpusie każdego zaworu.

E2/ kod bezpieczeństwa: II 2GD IIC X Ta 60°C T85°C (T6).

<b>ASCO</b>	<b>INSTRUKCJA MONTAŻU I KONSERWACJI</b> Seria Monostable 553 zaworów elektromagnetycznych przeznaczonych do zastosowań zabezpieczających Korpus aluminiowy lub ze stali nierdzewnej, gwint 1/2" – przyłącze NAMUR, zgodność z normą IEC 61508 (aprobata SIL)	<b>3/2 NC</b>	<b>PL</b>
		<b>5/2</b>	

W przypadku montażu tego produktu do pilota zgodnie z ATEX 94/9/WE należy przyjąć najmniej korzystną kategorię oraz maksymalne ciśnienie robocze i temperaturę. Zgodność podstawowymi wymogami dotyczącymi zdrowia i bezpieczeństwa została zapewniona dzięki zgodności z normami europejskim **EN 13463-1.**

Pozycja montażowa dla pilotów została pokazana na rysunkach 5/6/7/8/10; należy przestrzegać podanych momentów dokręcania.

**W przypadku elementów operacyjnych elektrozaworu i pilotów zgodnych z ATEX94/9/WE należy ściśle przestrzegać instrukcji eksploatacji podanych w określonej instrukcji instalacji dołączonej do produktu.**

**MONTAŻ**  
**⚠ Wersje z atestem ATEX 94/9/WE:** Wszystkie części metalowe lub przewodzące muszą być zawsze połączone i podłączone do uziemienia. Korpus zaworu jest podłączony do uziemienia przy pomocy śruby mocującej (poz. F). Zawór można montować w dowolnej pozycji.

**Wersje z gwintem (1/2)" (rys. A, B):**  
Zamontować zawór za pomocą dwóch śrub (poz. F) (brak w zestawie).  
**Wersje z przyłączem NAMUR (rys. C, D):**  
Przed zamontowaniem zaworu suwakowego na elemencie operacyjnym należy wystawić zawór na wymaganą funkcję:

- Wybrać przyłącze, które odpowiada wymaganej funkcji: 3/2 NC lub 5/2 (poz. 1a lub 1b).

- Upeścić się, że uszczelka jest prawidłowo osadzona (poz. 7).

- Zamontować przyłącze pod zaworem suwakowym 2 dołączonymi śrubami. Upeścić się, że wskazanie funkcji znajduje się po stronie powrotnej (szczelina biegunowa) (poz. 9).

- Zakończyć dwa pierścienie o-ring (poz. 9).

- W razie potrzeby złożyć kolektulu do elementu operacyjnego:

• Na płycie funkcji 3/2 NC: otwór Ø5 jest w A3/A1.

• Na płycie funkcji 5/2: otwór Ø5 jest w A3/A2.

**POŁĄCZENIE PNEUMATYCZNE**  
Zależnie od wersji (3/2 NC lub 5/2), do każdego produktu należy użyć jednego lub dwóch ochraniaczy wylotowych ze stali nierdzewnej (dołączone do produktu).

• **Podłączenie wersji z pilotem pneumatycznym:**  
G 1/4 lub NPT 1/4.

• **Podłączenie spustów pilota**  
- Podłączyć otwór wylotowy Ø M5, G 1/8 lub NPT 1/8

• **Sterowanie ręczne** (poz. 10)

Zależnie od wersji, produkty są dostarczane bez sterowania ręcznego lub z impulsowym sterowaniem ręcznym do pracy bez zasilania.

• **Zalecenia ogólne dotyczące podłączeń pneumatycznych**  
Rury przeznaczone do różnych zastosowań należy podłączać zgodnie z niniejszą dokumentacją i oznaczeniami podłączeń na produkcie. Upeścić się, że do systemu nie przedostały się żadne ciała obce. Należy zadbać o prawidłowe podparcie i wyrównanie rur, aby zapobiec naprężeniu mechanicznemu zaworu. Podczas dokręcania nie używać zaworu jako punktu podparcia; klucze powinny być jak najbliżej punktu połączenia. Aby zapobiec uszkodzeniu sprzętu, **NIE WOLNO PRZEKRĘCAĆ złączy rurowych.**

• **Wersje z gwintem 1/2" (rys. A, B):**

- Podłączenie zaworu suwakowego:  
Podłączyć rury zgodnie ze wskazaniami na etykietce:

- **Funkcja 3/2 NC**  
Wlot ciśnienia w otworze 1 (1/2). Wylot ciśnienia w otworze 2. Wylot w otworze 3 (1/2").

- **Funkcja 5/2:**  
Wlot ciśnienia w otworze 1. Wylot ciśnienia w otworach 2 i 4. Wyloty prowadzą przez zawór do otworów 3 i 5.

• **Wersja z przyłączem NAMUR (rys. C, D):**

- **Podłączenie zaworu suwakowego**  
Podłączyć rury zgodnie ze wskazaniami na etykietce:

- **Funkcja 3/2 NC:**  
Wlot ciśnienia w otworze 1 (1/2). Wylot ciśnienia w otworach 2 i 4. Wylot w otworze 3 (1/8). Wylot z komór sprężyn powrotnych elementów operacyjnych w wersji jednostronnego działania prowadzi przez zawór do otworu 3. Zaleca się zabezpieczenie otworu 5 (jeśli nie ma) – **nie zatykać go.**

- **Funkcja 5/2:**  
Wlot ciśnienia w otworze 1 (1/2). Wylot ciśnienia w otworach 2 i 4. Wyloty prowadzą przez zawór do otworów 3 i 5 (lub 1/2).

**PODŁĄCZENIE ELEKTRYCZNE**

Przed przystąpieniem do jakiegokolwiek czynności należy odłączyć prąd od komponentów.

Przed rozpoczęciem eksploatacji dokręcić wszystkie zaciski śrubowe odpowiednim momentem.

• Dość połączenia do ziemi dla wersji > 48 V.

• **Przed przystąpieniem do jakiegokolwiek czynności należy odłączyć prąd od komponentów.**

Przed rozpoczęciem eksploatacji dokręcić wszystkie zaciski śrubowe odpowiednim momentem.

• Dość połączenia do ziemi dla wersji > 48 V.

• **Wersja z pilotem zintegrowanym, klasa ochrony IP65 (rys. A):**  
Zakończyć cewkę na rurkę (obrót o 360°), a następnie zdejmować złącze ISO 4400/EN 175101-803A (kabel o średnicy 6-10mm) obracając o 90° (3 wtyki: 2 + uziemienie).

• **Wersja z grybkami zaworu elektromagnetycznego oraz przyłączem ASCO:** Patrz dodatkowe instrukcje instalacji dołączone do każdego grybka.

• **Wersja z podstawą montażową CNOMO:** Patrz dodatkowe instrukcje instalacji dołączone do każdego zaworu pilotowego.

• **Ogólne zalecenia:**  
Połączenia elektryczne muszą być wykonane przez wykwalifikowany personel i zgodnie z obowiązującymi lokalnymi normami i przepisami.

Uwaga:

- W zależności od napięcia elementy elektryczne muszą być uziemione zgodnie z lokalnymi normami i przepisami.

- Większość zaworów wyposażonych jest w cewki przeznaczone do ciągłej eksploatacji. Aby uniknąć ryzyka obrażeń ciała, nie dotykać elementu operacyjnego elektrozaworu, który może nagrzać się w normalnych warunkach pracy. Jeśli zawór jest łatwo dostępny, monter musi zapewnić ochronę przed przypadkowym kontaktem z elementem operacyjnym elektrozaworu.

**KONSERWACJA**

**⚠ Przed przystąpieniem do prac konserwacyjnych lub podłączania zaworu należy wyłączyć jego zasilanie, rozhermetyzować i odpowietrzyć zawór, aby zapobiec obrażeniu ciała i uszkodzeniu wyposażenia.**

**Wersje ATEX:** Ściśle przestrzegać wszystkich procedur zalecanych przez dyrektywę 99/92/WE i powiązane normy.

• **Czyszczenie**  
Konserwacja zaworów uzależniona jest od warunków eksploatacji. Należy je czyścić w regularnych odstępach czasu. Podczas czynności serwisowych podzespoły należy sprawdzać pod kątem nadmiernego zużycia. Podzespoły należy oczyścić w przypadku stwierdzenia spowolnienia cyklu, nawet jeśli ciśnienie pilotowe jest prawidłowe, bądź w przypadku wystąpienia nietypowego hałasu lub wykrycia nieszczelności.

• **Emisja dźwięku**  
Generowany hałas zależy od zastosowania, medium i rodzaju używanego sprzętu. Dokładne określenie poziomu dźwięku może przeprowadzić sam użytkownik instalujący zawór w systemie.

• **Konserwacja okresowa**  
- Włączyć zawór przynajmniej raz w miesiącu w celu sprawdzenia jego prawidłowego działania.

- W razie wystąpienia problemów w trakcie konserwacji lub w razie pytań należy skontaktować się z firmą ASCO Numatics lub jej autoryzowanym przedstawicielem.

• **Diagnostyka usterek**  
- Nieprawidłowe ciśnienie na wylocie: Sprawdzić ciśnienie po stronie zasilania zaworu, musi ono być zgodne z danymi podanymi na tabliczce znamionowej.

**Uwaga:** przestrzegać minimalnego ciśnienia pilotowego = 2 bary. Aby zapobiec obrażeniu ciała lub uszkodzeniu wyposażenia, przed ponownym podłączeniem zaworu należy sprawdzić jego prawidłowe działanie.

• **Części zamienne**  
Cewki są dostępne jako części zamienne.

W razie potrzeby należy wymienić cały zawór.



	<b>TELEPÍTÉSI ÉS KARBANTARTÁSI ÚTMUTATÓ</b>	<b>3/2 NC</b>	<b>HU</b>
	Monostabil, 553-as sorozatú mágnesszelepek biztonsági alkalmazásokhoz Alumínium vagy rozsdamentes acél ház, 1/2"-es menet – NAMUR illesztőfelület, IEC 61508 szabvány szerint (SIL minősítéssel rendelkezik)	<b>5/2</b>	

### A MINŐSÍTÉS ISMERTETÉSE

A minősítés által érintett változatok, SL előtaggal: Kizárólag 553-as széria, alumínium vagy rozsdamentes acél ház, monostabil (rugós helyretolás), 3/2-es NC (nyitó) funkció vagy 5/2-es, környezeti levegőtől elszigetelt változat. **Kézi vezérlés nélküli vagy impulzusos kézi vezérlésű változatok:**  
- 1/2"-es meneti csatlakozással (Atápnymósnak csatlakoztassa a 3. kiömlőnyíláshoz. A „környezettől védett” kialakítás nem alkalmas „elosztó” funkcióra vagy funkció NELKÜLI használatra. Az egyes verziók esetén elérhető funkciókról tudakozdjon nálunk) - NAMUR felülettel az egyszerűs (3/2-es NC funkció) vagy kétszeres (5/2-es funkció) működésű pneumatikus működőtű egységekre történő közvetlen felszereléséhez. A szelep működése átálkítható 3/2-es NC-ről 5/2-esre a mellékelt 13/2-es NC vagy 5/2-es illesztőlemez felszerelésével a szelep alára (C és D ábra, 1a. és 1b. pont). (A tápnymósnak ne csatlakoztassa a 3. kiömlőnyíláshoz. A „környezettől védett” kialakítás nem alkalmas funkció NEMKÜLI használatra.

Az egyes verziók esetén elérhető funkciókról tudakozdjon nálunk) **Bármilyen más termék használata tilos, és nem képezi a jelen jóváhagyás részét.**

A 61508 számú IEC szabvány a biztonsági rendszer életciklusának összes fázisával kapcsolatos általános előírásokat ismertet. Az EXIDA által végzett megbízhatósági elemzés kimutatta, hogy ezek a mágnesszelepek maximálisan SIL 2 és HFT = 0 és e fölötti biztonsági szintű, továbbá maximálisan a SIL 3 és HFT = 1 biztonsági szintű, ahol a HFT szint megapítása a 2H út követésével történik, a CEI 61508-2 : 2010 szabvány szerint.

A teszt eredményeinek összefoglalója és a megbízhatóságra vonatkozó adatok megtalálhatók a jelen dokumentum 35. és 36. oldalán. A szelepek telepítésénél, karbantartásánál és tesztelésénél ajánlatos elolvasni a „www.asconumatics.eu” weboldalon elérhető (V9629) biztonsági kézikönyvet. Az általános telepítési és karbantartási utasításokban található jelölések és rendelkezések alapjául a fent említett dokumentáció szolgál. A megbízhatóság biztosítása érdekében minden további rendelkezést is szigorúan be kell tartani. Csatlakoztassa a kívánt funkciók csövezetékét a jelen dokumentációban és a termékek szereplő nyílásjelzéseknek megfelelően.  
- Biztosítsa, hogy ne juthasson idegen anyag a körbe, mert az blokkolhatja a szelep működését. A tömítésszalagok és egyéb tömítőanyagok használatát korlátozza minimálisan.  
- Rendeltetésük szerint ezek a szelepek tiszta és száraz levegővel vagy semleges gázzal használhatók. Javasolt minimális szűrés: 50 mikron. A használt közeg határtemperatúrája legalább -20 C-kal (36°F) kisebb legyen annál a minimális hőmérsékletnél, amelynek a közeg ki lehet téve.  
- Kenőanyagot tartalmazó levegő használata esetén a kenőanyagok kompatibilisnek kell lenni a használt elasztomerrel. A műszer-levegő az ANSI/ISA S7.3 szabvány (1975) értelmében teljesíteni a szükséges követelményeket, vagyis elfogadható közeg a szelepek számára.

A szelepek és pilotok valamennyi kilépőnyílását rozsdamentes acélból készült kiáramlásvédővel kell védeni (lásd 3. pont) Ha csőcsatlakozásban kerül használatra, a szelepet a megfelelő szűrővel (szűrőkkel) történő védelemmel kell ellátni. Ezeket a kiáramlásvédőket a szelepek 3-as (3/2-es NC) vagy 3 – 5-ös (5/2-es) nyílására csatlakoztassa.  
A mellékeltől eltérő kiáramlásvédő használata esetén a szelep megbízhatósága nem szavatolható. Ilyen esetben forduljon az ASCOhoz, vagy valamelyik hivatalos képviselőhöz.  
- Maximális üzemi nyomás:  
- 2 és 10,4 bar között  
- 2 és 8 bar (195-LISC) között

**△ Kérjük, ne fedje le, hogy a termék biztonsági funkciója nem garantált, amennyiben a termék egy aktivált kézi vezérléssel zárral látja el. A termék biztonsági konfigurációjának visszaállítása érdekében ne fedje le azt kikapcsolni.**

**LEÍRÁS**  
ATEX 94/9/EK változatok: lásd „A biztonságos használat speciális feltételei” című részt.

**Környezeti levegőtől elszigetelt változatok:** A szelepek belső alkatrészei el vannak szigetelve a környezeti levegőtől, ami agresszív környezetben védelmet nyújt számukra. A környezet védelme érdekében az ütszelep valamennyi kiömlőnyílására csövezeték csatlakoztható, ami kifejezetten javasolt az érzékeny területeken, például a tisztahelyiségekben, illetve a gyógyszeripari és élelmiszer-feldolgozó-ipari alkalmazásokban. A szabadban vagy kedvezőtlen körülmények (por, folyadékok stb.) között használt ütszelep belső alkatrészeinek védelme érdekében a kiömlőnyílásokra csövezeték vagy szerelvényül kell csatlakoztatni.

**A BIZTONSÁGOS HASZNÁLAT KÜLÖNLÉGES FELTÉTELEI**  
ATEX 94/9/EK: a szelepet csatlakoztatni kell a földhöz (F ref.). Törölési körülmények: az időjárás hatásaitól védett helyen; tárolási hőmérséklet: -40 C az +70°C ;relatív páratartalom: 95% Az ütszelepet az eredeti csomagolásában kell tartani mindaddig, amíg azt használatba nem veszik. A csatlakozónyílásokról és a szolenoidokról nem szabad eltávolítani a védőborítást.  
Környezeti hőmérséklet: -25°C (Alumínium), -40°C (rozsdamentes acél) az +60°C

A közeg maximális hőmérséklete nem haladhatja meg a környezeti hőmérsékletet.

**Az alacsony hőmérsékleten tárolt ütszelepek fokozatosan kell üzemi hőmérsékletre helyre vinni, mielőtt nyomás alá helyezik.** Ha a LIC csoport 1-es zónájában integrált vezérszelepek, 553-as sorozatú szelepek használhatók, akkor a termék a környező légáramlástól és sűrűléstől védeni kell a műanyag burkolóanyag elektrosztatikus felületének megelőzése érdekében. Száraz ruhával tisztálás és / vagy mágneses fejhez történő sűrűlésszáraz mindenképp elkerülendő a telepítési és karbantartási művelet alkalmával.

Az ütszelepek csupán az adat táblán meghatározott műszaki jellemzők tartományán belül használhatók. A termékek csak a gyártóval vagy annak képviselőjével történő egyeztetés után hajthatók végre változtatások. **Ezek a mágneses ütszelepek szűrt levegővel vagy semleges gázzal használhatók.** Ne lépje túl a szelep maximális megengedett nyomását = 8/10,4 bar. Figyelem!  
A minimális pilotnyomás 2 bar. A szelep telepítését és karbantartását csak képzett szakember végezheti.

• Szabványos, IP65 védettségű pneumatikus változatok, illetve gázok, gőzök, ködök vagy porok miatt robbanásveszélyes légkörben történő használatra való változatok a 94/9/EK ATEX irányelv szerint. (Ennek a változatnak a zónabesorolása az ATEX adat táblán szerepel, E2 ref.).


E2/biztonsági kód: **II 2GD IIC X Ta 60°C T85°C (T6).**

Az alapvető egészségvédelmi és biztonsági követelmények teljesítését a következő európai szabványban való megfelelés biztosítja: **EN 13463-1.**

- Mágneses-pneumatikus változatok szolenoidokkal ellátva:
- IP65 védettségű ellátva vagy
- tanúsítvány a robbanásveszélyes légkörben való használatához a 94/9/EK ATEX irányelv szerint.
- **Integrált pilottal ellátott változatok,** IP65 védettséggel, alapváltozatban, vagy robbanásveszélyes környezetben való használatához: II 3D IP65 vagy ATEX Ex m, em
- **Szolenoidul ellátott változatok ASCO szerelőlapppal,** alapváltozatban IP65 védettséggel vagy robbanásveszélyes légkörben való használatához: II 3D IP65 vagy ATEX/IECEX Ex d, m, em, ia.
- **Pilottal ellátott változatok CNOMO E06.05.80 (30-as méret) vagy CNOMO E06.36.120N (15-ös méret) szerelőlapppal,** IP 65 védettség alapváltozatban, vagy pilotok felszerelése robbanásveszélyes légkörben való használatához az ATEX Ex d vagy Ex ia előírásainak megfelelően. **Vigyázat (CNOMO pilotszelepek):** A szelepek zónákba helyezésének (ATEX 1999/92/EK) meghatározása az egyes szelepek házán található címkeken lévő jelzés első sorában (E2 ref.) található.

E2/biztonsági kód: **II 2GD IIC X Ta 60°C T85°C (T6).**

**Ha ezt a terméket vezérszelepre szereli a 94/9/EK ATEX irányelvnek megfelelően, a legkedvezőtlenebb kategóriát,**

	<b>TELEPÍTÉSI ÉS KARBANTARTÁSI ÚTMUTATÓ</b>	<b>3/2 NC</b>	<b>HU</b>
	Monostabil, 553-as sorozatú mágnesszelepek biztonsági alkalmazásokhoz Alumínium vagy rozsdamentes acél ház, 1/2"-es menet – NAMUR illesztőfelület, IEC 61508 szabvány szerint (SIL minősítéssel rendelkezik)	<b>5/2</b>	

**és a maximális üzemi nyomást és hőmérsékletet vegye figyelembe.** Az alapvető egészségvédelmi és biztonsági követelmények teljesítését a következő európai szabványban való megfelelés biztosítja: **EN 13463-1.**

A pilotok telepítéséhez az 5/6/7/8/10-es ábrákat kell követni, valamint a megjelölt meghúzó nyomtatókat.

**A 94/9/EK ATEX irányelv teljesítése érdekében a szolenoidok és vezérszelepek esetében pontosan követni kell a termékhez mellékelt szerelési útmutatóban foglalt utasításokat.**

### SZERELÉS!

**△ ATEX 94/9/EK változatok:** Gondoskodjon róla, hogy a fém- és vezető alkatrészek mindig össze legyenek kapcsolva egymással és földelve legyenek. A szelepházat rögzítősavarral kell csatlakoztatni a földhöz (F ref.). A szelepek bármilyen helyzetben felszerelhetők.

**Menetes nyílásokkal rendelkező változatok (1/2) (A, B ábrák):** A szelepet két csavarral kell felszerelni (F pont) (nem tartozék).

**NAMUR illesztőfelülettel felszerelt változatok (C, D ábra):** Az ütszelepet a kívánt funkcióknak megfelelően be kell állítani, mielőtt a működőtű egységre szerelnék.

- Válassza ki a kívánt funkciókat megfelelő illesztőfelülettel: 3/2-es NC vagy 5/2-es (1a. vagy 1b.).

- Gondoskodjon a tömítés megfelelő beszereléséről (7. pont).  
- A szelephez kapott 2 csavar segítségével szerelje össze az ütszelepet a látt lévő illesztőfelülettel. Fontos, hogy a funkció jelzése a visszatérési oldalra kerüljön (polarizálónyílás).

- Szerelje be a két tömítőgyűrűt (9. pont).

- Ha szükséges, szerelje az illesztőcsapot a működőtű egységre: A 3/2-es NC funkciólemez: az Ø 5 átmérőjű nyílás az A3/A1-nél van.

• Az 5/2-es funkciólemez: az Ø 5 átmérőjű nyílás az A3/A2-nél van.

### PNEUMATIKUS CSATLAKOZTATÁS

A változatot (3/2-es NC vagy 5/2-es) függően a termékhez kapott egy vagy mindkét rozsdamentes acél kiáramlásvédő használni kell.

- **A pneumatikus pilotváltozat csatlakoztatása:** G 1/4 vagy NPT 1/4.
- **A pilot kifűzőnyílásainak csatlakoztatása:** - Csatlakoztassa a Ø M5, G 1/8 vagy NPT 1/8 kiömlőnyílást
- **Kézi vezérlés (10. pont)**
- A termék változatától függően, **kézi vezérlés nélkül vagy** az energiaellátás nélküli működést is lehetővé tévő **impulzusos kézi vezérléssel** kapható.
- **Általános javaslatok a pneumatikus csatlakoztatáshoz**  
Csatlakoztassa a kívánt funkciók csövezetékait a jelen dokumentációban és a termékek szereplő nyílásjelzéseknek megfelelően. Bizonyosodjon meg, hogy nem kerül idegen anyag a rendszerbe. A szelep mechanikai feszítésének megelőzése érdekében megfelelően támassza alá és igazítsa be a csöveket. Műhúzóskor ne használja a szelepet feszítőkárként; a kulcsokat a lehető legközelebb helyezze a csatlakozási ponthoz. **NE HÚZZA TUL** a csőcsatlakozásokat, mert megsérülhet a berendezés.

- **1/2-es menetes nyílásokkal rendelkező változatok (A, B. ábra):**  
- **Az ütszelep csatlakoztatása**  
Csatlakoztassa a csöveket a címkén jelzett módon:  
- **3/2-es NC funkció:** Nyomásbemenet az 1. nyíláson (1/2). Nyomáskimenet a 2. nyíláson.  
Kímélés a 3. nyíláson (1/2).
- **5/2-es funkció:** Nyomásbemenet az 1. nyíláson. Nyomáskimenet a 2. és a 4. nyíláson.  
A kiömlő közeg az 5. nyíláshoz vezet.

- **NAMUR illesztőfelülettel rendelkező változat (C, D ábra):**  
- **Az ütszelep csatlakoztatása**  
Csatlakoztassa a csöveket a címkén jelzett módon:  
- **3/2-es NC funkció:** Nyomásbemenet az 1. nyíláson (1/2). Nyomáskimenet a 2. és a 4. nyíláson.  
Kímélés a 3. nyíláson (1/8). Az egyszerűs működésű változat rugó-helyretolási kamrából a kiömlő közeg az ütszelep az 5. nyíláshoz vezet. Javasolt az 5. nyílás védelme (ha nem

használat) – ne zárja le.  
- **5/2-es funkció:** Nyomásbemenet az 1. nyíláson (1/2). Nyomáskimenet a 2. és a 4. nyíláson.  
A kiömlő közeg az 5. nyíláshoz vezet (vagy 1/2).

### ELEKTROMOS CSATLAKOZTATÁS

**Bármilyen beavatkozás megkezdése előtt le kell kapcsolni az áramellátást a komponensek áramtanulása érdekében.** Működés előtt minden csavaros érintkezőt a megfelelő nyomtatókkal kell meghúzni.

Akkor a telefont a földre verzió > 48 V.  
• **IP65 védettséggel ellátott vezérszelepek változat (A ábra):**

Szerelje a tekercset a csőre (360°-ban elforgatható), majd a levehető ISO 4400/EN 175101-803A csatlakozót (6–10 mm-es kábel-átmérő), mely 90°-ban elforgatható (3 érintkező: 2 + földelés).

• **Szolenoid fejekkel ellátott változatok ASCO felülettel:** tekintse meg az egyes szolenoid fejek gyártói által mellékelt telepítési útmutatókat is.

• **CNOMO szerelőlapppal ellátott változatok:** tekintse meg az egyes pilotszelepek gyártói által mellékelt telepítési útmutatókat is.

• **Általános ajánlások:** Az elektromos csatlakoztatást képzett szakemberek kell végrehajtania, a vonatkozó helyi szabványoknak és előírásoknak megfelelően.

Figyelem!  
- Bármilyen beavatkozás megkezdése előtt le kell kapcsolni az áramellátást a komponensek áramtanulása érdekében.  
- Az elektromos komponenseket a feszültségtől függetlenül földelni kell, a helyi szabványoknak és előírásoknak megfelelően. Alegtöbb szelep tartós terheléshez készült tekercsekkel rendelkezik. A személyi sérülés kockázatának elkerülése érdekében ne érjen a szolenoidhoz, mivel az normál üzemi körülmények között felforrósodhat. Ha a szelep könnyen megközelíthető helyen van, a szerelőnek a szolenoidot el kell látnia a véletlen érintés megakadályozását szolgáló védelemmel.

### KARBANTARTÁS

**△ Bármilyen karbantartási munka vagy üzembe helyezés előtt a személyi sérülés és a berendezés sérülése megelőzése érdekében kapcsolja le a szelep energiaellátását, nyomásmentesítse és eressze le a szelepet.**  
**ATEX-változatok: pontosan kövesse a 99/92/EK irányelv és a kapcsolódó szabványok által ajánlott eljárásokat.**

- **Tisztítás**  
A szelepek karbantartása az üzemi feltételektől függ. Rendszeres időközönként meg kell őket tisztítani. Szervizeléskor ellenőrizni kell, hogy nem kopták-e el az egyes alkatrészek. Ezek tisztítását igényelnek, ha a ciklus lelassult, még akkor is, ha a vezérszelep nyomása megfelelő, és nem észlelhető semmilyen szokatlan zaj vagy szivárgás.

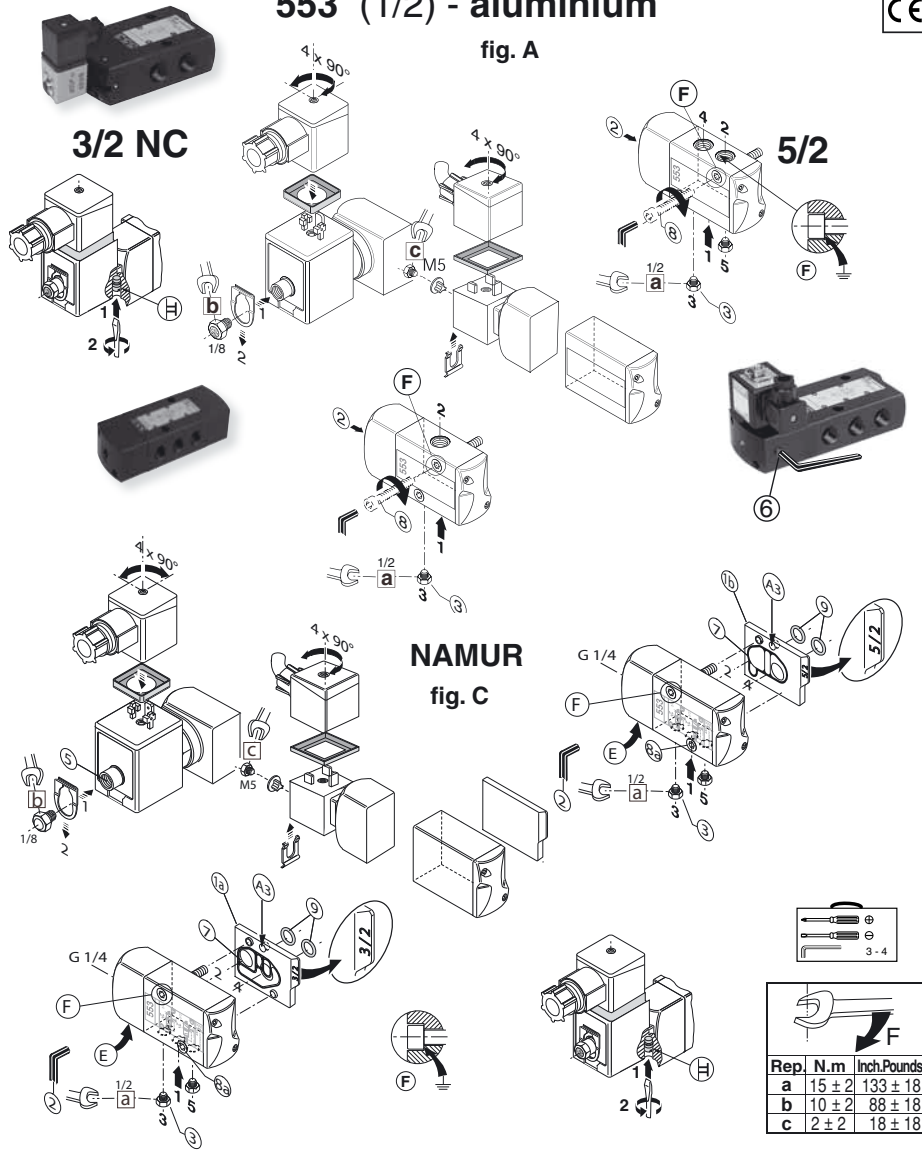
- **Zajkibocsátás**  
A kibocsátott zaj függ az alkalmazástól, a közegetől és a használt berendezés típusától. A zajszint pontos meghatározását csak a szeleppel felszerelt rendszer felhasználója tudja elvégezni.

- **Megelőző karbantartás**  
- Működésének vizsgálatához használja a szelepet legalább egy hónapig.  
- Ha a karbantartás közben probléma vagy kérdés merül fel, forduljon az ASCO Numaticshoz vagy annak valamelyik hivatalos képviselőjéhez.

- **Hibaelhárítás**  
- Nem megfelelő kilépőnyomás: ellenőrizze a nyomást a szelep ellátási oldalán; ennek meg kell felelnie az adat táblán szereplő értékeknek.  
*Figyelem!* A **vezérszelep minimális nyomása 2 bar.** Az új üzembe állítás előtt a személyi sérülés és a berendezés sérülése megelőzése érdekében ellenőrizze, megfelelően működik-e a szelep.  
• **Cserealkatrészek**  
Tekercsek rendelhetők pótkatrészként. Szükség esetén az egész szelepet ki kell cserélni.

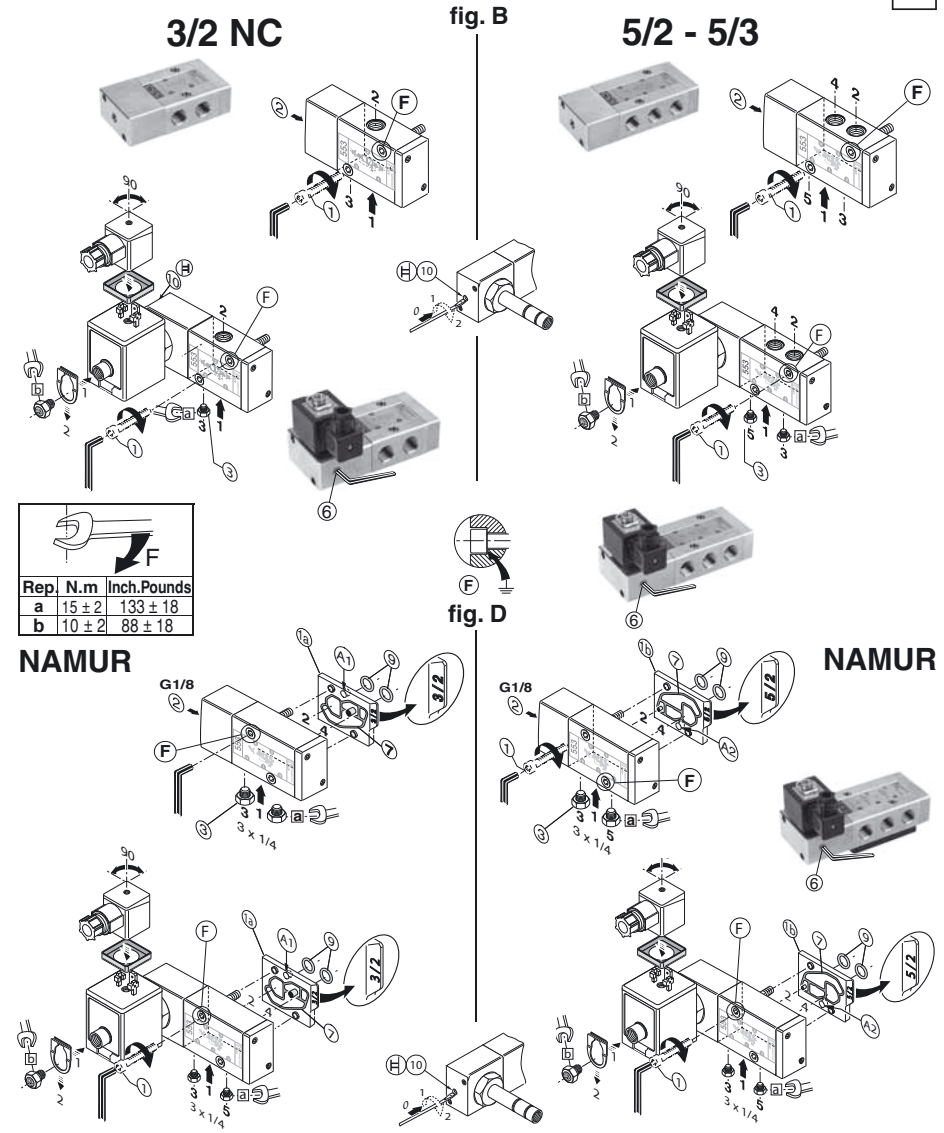
<b>ASCO</b>	DRAWINGS	GB	DESSINS	FR	ZEICHNUNGEN	DE
	DIBUJO	ES	DISEGNO	IT	TEKENING	NL
	TEGNINGER	NO	RITNINGAR	SE	PIIRUSTUKSET	FI
	TEGNINGER	DK	DESENHOS	PT	ΣΧΕΔΙΑ	GR
	OBRAZKY	CZ	RYSUNKI	PL	RAJZOK	HU
	ПОДКЛЮЧЕНИЕ	RU	그림	KR	-	-

### 553 (1/2) - aluminium



<b>ASCO</b>	DRAWINGS	GB	DESSINS	FR	ZEICHNUNGEN	DE
	DIBUJO	ES	DISEGNO	IT	TEKENING	NL
	TEGNINGER	NO	RITNINGAR	SE	PIIRUSTUKSET	FI
	TEGNINGER	DK	DESENHOS	PT	ΣΧΕΔΙΑ	GR
	OBRAZKY	CZ	RYSUNKI	PL	RAJZOK	HU
	ПОДКЛЮЧЕНИЕ	RU	그림	KR	-	-

### 553 (1/2) - stainless steel

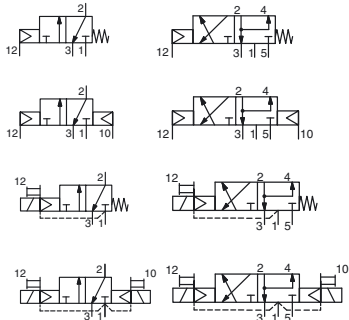




<b>ASCO</b>	CONNECTION	<b>GB</b>	RACCORDAMENTO	<b>FR</b>	ANSCHLUSS	<b>DE</b>
	RACORDAJE	<b>ES</b>	COLLEGAMENTO	<b>IT</b>	AANSLUITING	<b>NL</b>
	ANSLUTNING	<b>SE</b>	TILKOBLING	<b>NO</b>	LIITÄNTÄ	<b>FI</b>
	FORBINDELSE	<b>DK</b>	LIGAÇÃO	<b>PT</b>	ΣΥΝΔΕΣΗ	<b>GR</b>
	PRÍPOJENÍ	<b>CZ</b>	PODŁĄCZENIE	<b>PL</b>	CSATLAKOZTATÁS	<b>HU</b>
	ПОДКЛЮЧЕНИЕ	<b>RU</b>	-	-	-	-

**3/2 NC/NF**

**NAMUR**



**5/2**

**NAMUR**

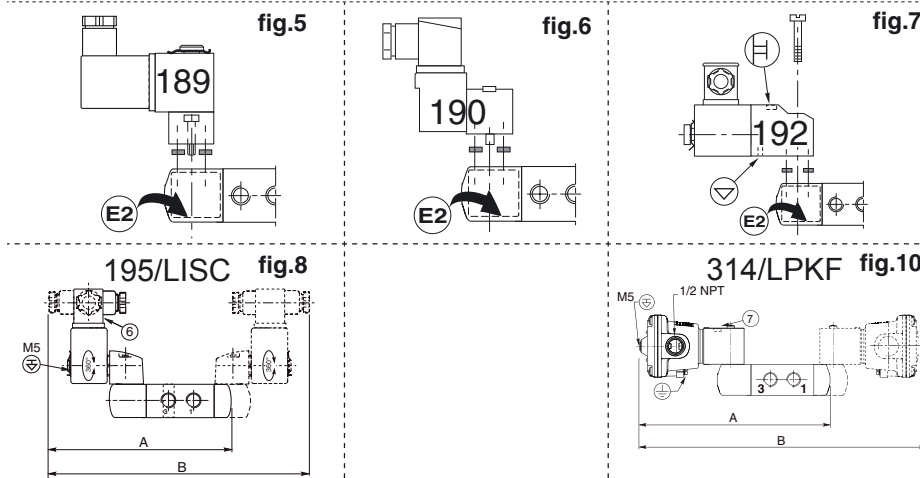
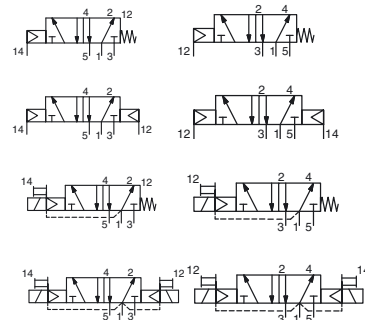


fig.2



- 34600484 (M5)
- 34600419 (G1/4)
- 34600418 (G1/8)
- 34600479 (G1/2)
- 34600483 (NPT1/4)
- 34600482 (NPT1/8)
- 34600481 (NPT1/2)

fig.16



The manufacturer may use the mark:



Report:  
ASC Q1301001 R003 V1R1  
Assessment Report

Valid until February 28, 2016  
Revision 1.1 March 25, 2013



Certificate / Certificat  
Zertifikat / 合格証

ASC 1301001 C005

exida hereby confirms that the:

**Series 551, 552, and 553 Pilot Operated  
Inline Spool Valves**

**ASCO Numatics  
Lucé, France**

Has been assessed per the relevant requirements of:

**IEC 61508 : 2010 Parts 1-7**

and meets requirements providing a level of integrity to:

**Systematic Capability: SC 3 (SIL 3 Capable)**

**Random Capability: Type A Element**

**SIL 2 @ HFT=0; SIL 3 @ HFT = 1; Route 2<sub>H</sub>**

**PFD<sub>AVG</sub> and Architecture Constraints  
must be verified for each application**

Safety Function:

The Valve will move to the designed safe position when de-energized / energized within the specified safety time.

Application Restrictions:

The unit must be properly designed into a Safety Instrumented Function per the Safety Manual requirements.



*Ch. O'B.*  
Evaluating Assessor  
*Steve J. Case*  
Certifying Assessor

Series 551, 552, and  
553 Pilot Operated  
Spool Valves

Certificate / Certificat / Zertifikat / 合格証

ASC 1301001 C005  
Systematic Capability: SC 3 (SIL 3 Capable)

Random Capability: Type A Element

SIL 2 @ HFT=0; SIL 3 @ HFT = 1; Route 2<sub>H</sub>

PFD<sub>AVG</sub> and Architecture Constraints  
must be verified for each application

SC 3 (SIL 3 Capability):

The product has met manufacturer design process requirements of Safety Integrity Level (SIL) 3. These are intended to achieve sufficient integrity against systematic errors of design by the manufacturer.

A Safety Instrumented Function (SIF) designed with this product must not be used at a SIL level higher than stated.

Random Capability:

The SIL limit imposed by the Architectural Constraints for each element.

IEC 61508 Failure Rates in FIT\*

For valves used in a final element assembly, SIL must be verified for the specific application using the following failure rate data.

Failure rates for the Series 551,552, and 553 Pilot Operated Spool Valves in FIT\*

Failure Category	$\lambda_{ad}$	$\lambda_{du}$	$\lambda_{db}$	$\lambda_{du}$
3/2 Single	0	178	0	347
3/2 Single NAMUR	0	273	0	371
3/2 Single, w/NF Operator	0	292	0	333
3/2 Single NAMUR, w/NF Operator	0	386	0	358
3/2 Redundant	0	205	0	387
5/2 Single	0	278	0	357
5/2 Single NAMUR	0	275	0	389
5/2 Single w/NF Operator	0	392	0	343
5/2 Single NAMUR, w/NF Operator	0	388	0	376
5/2 Redundant	0	265	0	397

Applications

Series 551/552/553 Spool Valves	De-energize on trip, normally closed
---------------------------------	--------------------------------------

SIL Verification:

The Safety Integrity Level (SIL) of an entire Safety Instrumented Function (SIF) must be verified via a calculation of PFD<sub>AVG</sub> considering redundant architectures, proof test interval, proof test effectiveness, any automatic diagnostics, average repair time and the specific failure rates of all products included in the SIF. Each subsystem must be checked to assure compliance with minimum hardware fault tolerance (HFT) requirements.

The following documents are a mandatory part of certification:

Assessment Report: ASC Q1301001 R001 V1R1 Assessment Report

Safety Manual: V9629, Rev B

\* FIT = 1 failure / 10<sup>9</sup> hours



64 N Main St  
 Sellersville, PA 18960

T-058, V1.0-3