

ENGINEERED TO ORDER CAPABILITIES FOR ROSEMOUNT ANNUBAR™

Customize our products to work for your needs!

The Engineered To Order (ETO) process is designed to modify existing products to meet specific application requirements that are not addressed with our standard product offering.

Here are a list of common solutions for Rosemount Annubar products that have been made through the ETO process.

Duct Mount Annubars

For mounting within low pressure thin-walled duct applications. The standard mounting is modified with a duct mounting plate. Available for round or rectangular ducts. Example pictured to the right.

Non-Standard Mounting Materials

Mounting materials not available within the standard offering can be accommodated to match the application's pipe material. A popular material is A350 LF2 CL1 to accommodate low temperature carbon steel applications.

Redundant Direct Mount Transmitters

Direct mount Annubars can be provided with additional assembled manifolds to accommodate direct mounting of dual transmitters providing solutions where multiple transmitters are required.

Flanged Opposite Side Supports

For applications where a flanged opposite side support is required in lieu of the standard threaded or welded opposite side support.

Stub Annubars

For large line size applications or high velocity applications. This will provide a stub sensor that will sample one-third of the pipe diameter in order to provide a repeatable reading.

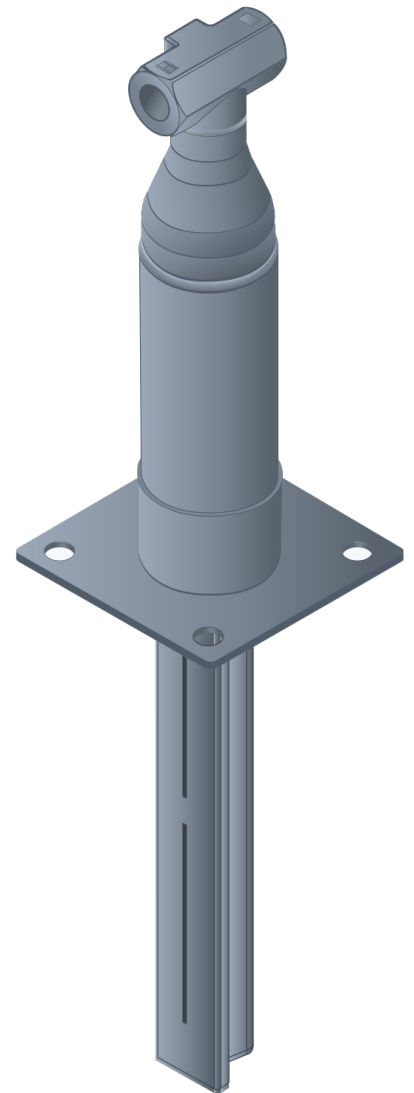
Stack Annubars

Focused on stack gas flow measurement. The head and the tip are provided with purge and clean out ports to allow for periodic maintenance.

Saddle Mount

For applications with non-metallic piping material. A saddle mounting solution will be provided to accommodate the installation of the Annubar.

In addition to the examples above, new ETO's are being quoted and developed everyday.



Rosemount Duct Mount Annubar

For more information, contact your local sales representative or Rosemount Customer Service by calling **1-800-999-9307** or email rmta.rccpo@Emerson.com

