



From single part to kit

Easy to use and to select



For your plant emergencies

With the rapid changes in today's business environment, you can't afford to slow down—especially when it comes to product repair and replacement. Unwanted downtime and unplanned outages are a major concern when you need to operate safely, consistently and economically.



What if you could prevent downtime by stocking GX parts kits?

Designed for stops and emergency, the Fisher GX genuine parts kit program will make your life easier

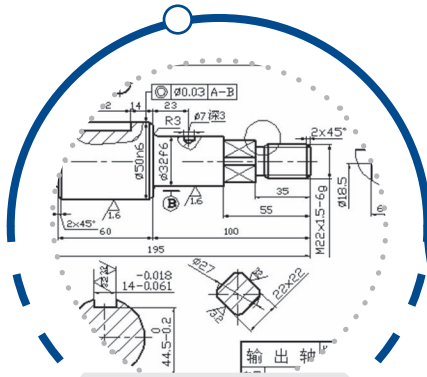
- 20 ready-to-use kits for delivery 1 day
- Easy to select with all-in-one code
- Easy to identify in your stock as a spare part
- Easy to identify packaging includes installation instructions
- Cost efficient



WHY CHOOSE OEM PARTS?

Only original equipment manufacturer (OEM) parts are designed and produced according to the global standards of Emerson manufacturing plants. To ensure a reliable operation of your site, always use OEM parts during maintenance.

- ▶ **RIGHT** materials and manufacturing processes can help increase safety and guarantee the protection of your operating equipment, your workers, and the environment.
- ▶ **VALIDATED** design tolerance can help ensure reliable and optimized performance. With the trackable history of the part you receive, Emerson helps remove any doubt about what exactly you are getting.
- ▶ **INCREASED PRODUCT LIFE SPAN** with improved equipment up time and reduced maintenance frequency. Higher costs for additional parts and may cause unplanned downtime impacting safety and profitability.



Accurate Design Tolerance

- Aboriginal drawing measures
- Tolerance analysis



Genuine Material

- Alloy composition
- Processes and treatments



Impossible to Duplicate Accurately

- Quality standards
- Static analysis

Using non-OEM parts...

...can lead to poor performance and operational inefficiencies. While replicator parts may initially cost less, you may pay more in the long run because they typically do not last as long as genuine parts. Using replicated parts can result in higher costs for additional parts and may cause unplanned downtime impacting safety and profitability.



You may be exposed to:

- Security risks of your asset and your employees
- Loss of warranty
- Poor setpoint control
- Short life span
- Erosion due to metal friction
- Leaks on the seal
- Valve failure



Subscribe to Emerson's latest product news, event invitations and quarterly newsletter: emerson.com/subscribe

Emerson Automation Solution
Flow Controls
Holland fasor 6.
HU - 8000 Székesfehérvár
T: +36 22 543 600
www.Emerson.com

FISHER™

The Emerson logo is a trademark and service mark of Emerson Electric Co. ©2020 Emerson Electric Co. All rights reserved. D353064X412-07/20

Contact our Emerson Sales Office for more information.


EMERSON™