

Micro Motion® Model 3700 Transmitter (MVD) or Model 3350 Peripheral

Installation manual for field mount

Safety and approval information

This Micro Motion product complies with all applicable European directives when properly installed in accordance with the instructions in this manual. Refer to the EC declaration of conformity for directives that apply to this product. The EC declaration of conformity, with all applicable European directives, and the complete ATEX Installation Drawings and Instructions, in addition to the IECEx Installation Instructions for installations outside of the European Union and the CSA Installation Instructions for installations in North America are available on the internet at www.micromotion.com or through your local Micro Motion support center.

Information affixed to equipment that complies with the Pressure Equipment Directive can be found on the internet at www.micromotion.com/documentation.

For hazardous installations in Europe, refer to standard EN 60079-14 if national standards do not apply.

Other information

Full product specifications can be found in the product data sheet. Troubleshooting information can be found in the transmitter configuration manual. Product data sheets and manuals are available from the Micro Motion web site at www.micromotion.com/documentation.

Return policy

Micro Motion procedures must be followed when returning equipment. These procedures ensure legal compliance with government transportation agencies and help provide a safe working environment for Micro Motion employees. Failure to follow Micro Motion procedures will result in your equipment being refused delivery.

Information on return procedures and forms are available on our web support system at www.micromotion.com, or by phoning the Micro Motion Customer Service department.

Emerson Flow customer service

Email:

- Worldwide: flow.support@emerson.com
- Asia-Pacific: APflow.support@emerson.com

Telephone:

North and South America		Europe and Middle East		Asia Pacific	
United States	800-522-6277	U.K.	0870 240 1978	Australia	800 158 727
Canada	+1 303-527-5200	The Netherlands	+31 (0) 704 136 666	New Zealand	099 128 804
Mexico	+41 (0) 41 7686 111	France	0800917901	India	800 440 1468
Argentina	+54 11 4837 7000	Germany	0800 182 5347	Pakistan	888 550 2682
Brazil	+55 15 3413 8000	Italy	8008 77334	China	+86 21 2892 9000
Venezuela	+58 26 1731 3446	Central & Eastern	+41 (0) 41 7686 111	Japan	+81 3 5769 6803
		Russia/CIS	+7 495 981 9811	South Korea	+82 2 3438 4600
		Egypt	0800 000 0015	Singapore	+65 6 777 8211
		Oman	800 70101	Thailand	001 800 441 6426
		Qatar	431 0044	Malaysia	800 814 008
		Kuwait	663 299 01		
		South Africa	800 991 390		
		Saudia Arabia	800 844 9564		
		UAE	800 0444 0684		

Contents

Chapter 1	Planning	5
1.1	Installation kit	5
1.2	Choose a location.....	6
1.3	Cable lengths	8
1.4	Prepare conduit openings for ATEX Zone 1 or IECEx Zone 1.....	9
1.5	(Optional) Orient the Model 3350 or Model 3700	9
Chapter 2	Mounting	11
2.1	Mount the applications platform.....	11
2.2	Mount the core processor	13
Chapter 3	Wiring	15
3.1	Connect input and output wiring	15
3.2	Connect the Model 3700 to the sensor	17
3.3	Wire the sensor to the remote core processor.....	22
3.4	Connect the power supply wiring.....	24

1 Planning

This installation manual explains *basic installation guidelines* for installing the Micro Motion Model 3350 or Model 3700 MVD applications platform.

For information on I.S. applications, refer to Micro Motion approval documentation.

For complete instructions about configuration, maintenance, and service, refer to the instruction manual shipped with the transmitter.

⚠ WARNING!

Improper installation in a hazardous area can cause an explosion.

For information about hazardous applications, refer to the appropriate Micro Motion approval documentation, shipped with the meter or available from the Micro Motion web site.

⚠ WARNING!

Hazardous voltage can cause severe injury or death.

Install transmitter and complete all wiring before supplying power.

⚠ CAUTION!

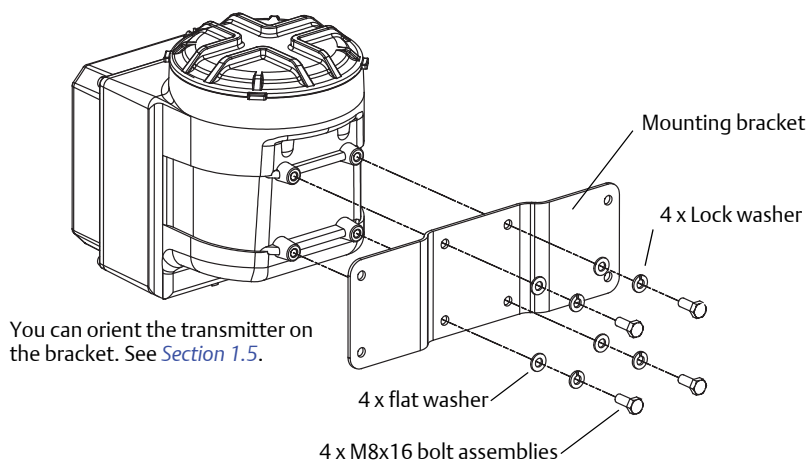
Improper installation can cause measurement error or meter failure.

Follow all instructions.

1.1 Installation kit

The Model 3350 or Model 3700 installation kit includes the parts shown in *Figure 1-1*.

Figure 1-1: Field-mount installation kit



1.2 Choose a location

Choose a location for the transmitter based on the requirements described below.

⚠ WARNING!

Improper installation in a hazardous area can cause an explosion.

Install the transmitter in an area that is compatible with the rating on the approvals tag. See [Figure 1-3](#).

1.2.1 Environmental requirements

Install the Model 3350 or Model 3700 where the ambient temperature is between -4 to $+140$ °F (-20 to $+60$ °C).

1.2.2 Dimensions

Figure 1-2: Face view dimensions

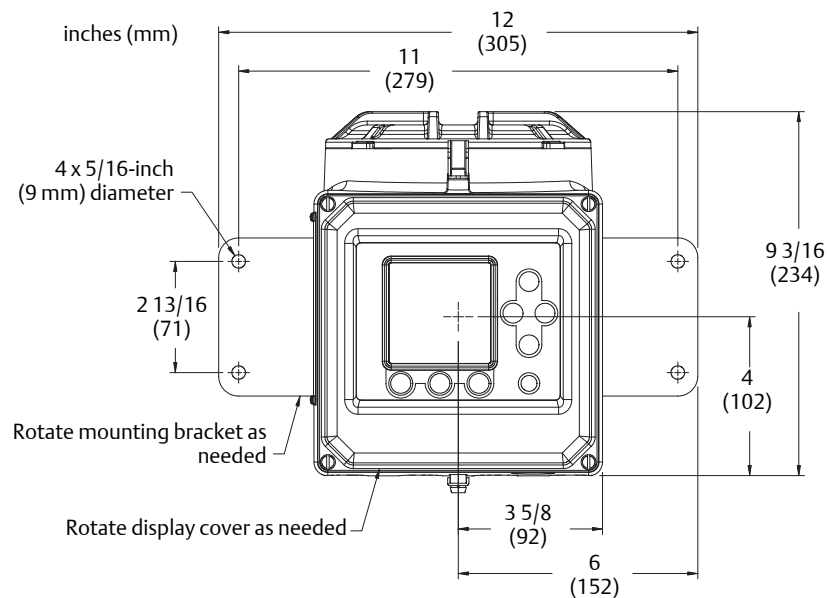


Figure 1-3: Top view dimensions

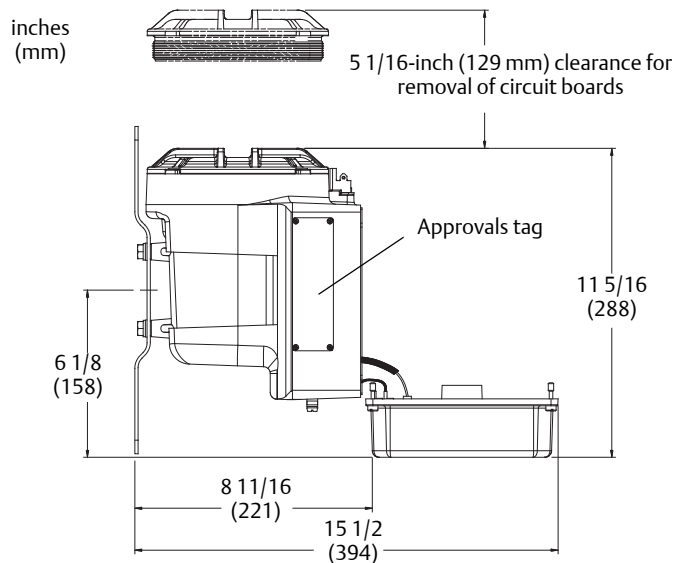
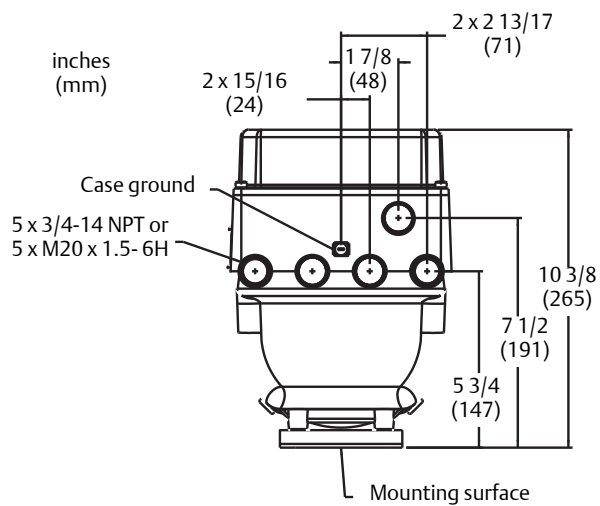


Figure 1-4: Conduit openings view dimensions



1.3 Cable lengths

Maximum cable length from the sensor to the Model 3700 transmitter depends on the installation type and cable type.

Installation type	Maximum cable length
4-wire remote transmitter	See Figure 1-5 , and Table 1-1 for maximum length of the 4-wire cable
Remote core processor with remote transmitter	See Figure 1-6 , and Table 1-1 for maximum length of the 4-wire cable and the 9-wire cable

If you are installing the Model 3350 controller in combination with a transmitter, the maximum cable length between the transmitter frequency output and the Model 3350 frequency input is 500 feet (150 meters).

Figure 1-5: 4-wire remote transmitter

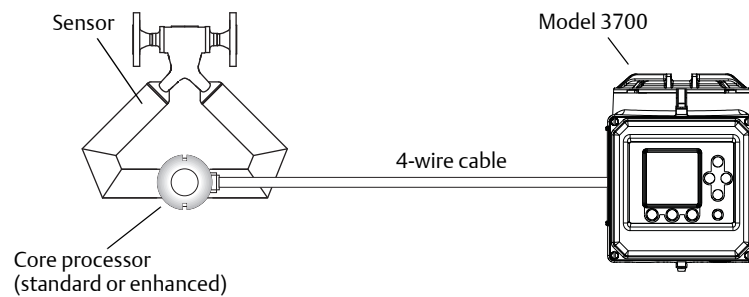


Figure 1-6: Remote core processor with remote transmitter

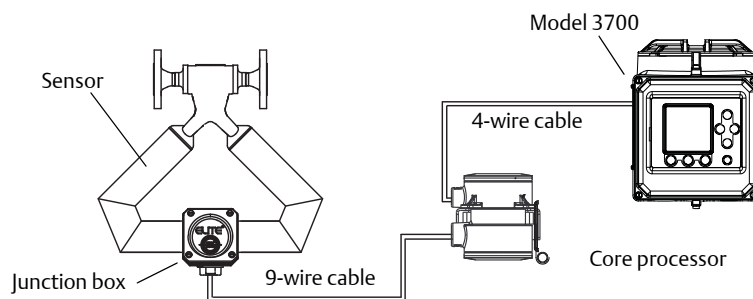


Table 1-1: Maximum cable lengths between sensor and transmitter

Cable type	Wire gauge	Maximum length
Micro Motion 4-wire	Not applicable	<ul style="list-style-type: none"> • 1000 ft (300 m) without Ex-approval • 500 ft (150 m) with IIC-rated sensors • 1000 ft (300 m) with IIB-rated sensors
Micro Motion 9-wire	Not applicable	60 ft (20 m)
User-supplied 4-wire	VDC 22 AWG (0.35 mm ²)	300 ft (90 m)
	VDC 20 AWG (0.5 mm ²)	500 ft (150 m)
	VDC 18 AWG (0.8 mm ²)	1000 ft (300 m)
	RS-485 22 AWG (0.35 mm ²) or larger	1000 ft (300 m)

1.4 Prepare conduit openings for ATEX Zone 1 or IECEx Zone 1

If the Model 3350 or Model 3700 carries an ATEX Zone 1 approval:

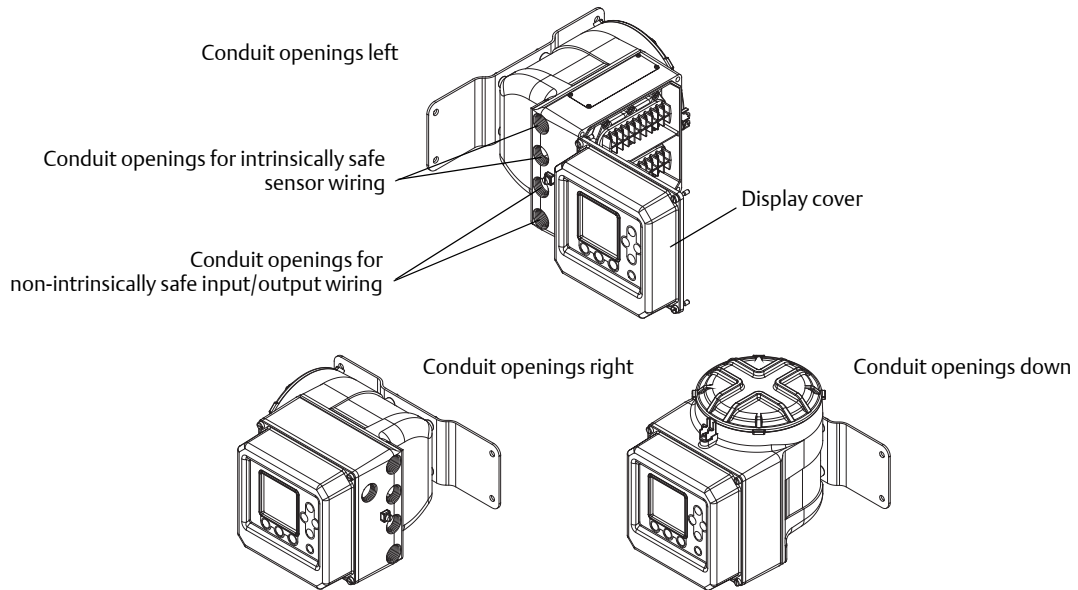
1. Remove thread protectors from conduit openings. See [Figure 1-7](#).
2. Install factory-supplied cable glands or user-supplied Exe cable entry devices in conduit openings that are in use.
3. Install Exe plugs in conduit openings that are not in use.

1.5 (Optional) Orient the Model 3350 or Model 3700

The Model 3350 or Model 3700 can be oriented on the mounting bracket as needed, and the display cover can be rotated on the applications platform. [Figure 1-7](#) provides orientation examples.

1. Use the four supplied mounting bolt assemblies.
2. Using a 13 mm hex wrench, install the bolt assemblies to 12 ft-lb (16 Nm) of torque.
3. Rotate the display cover, if needed.
See the transmitter installation manual.

Figure 1-7: Orientation examples



2 Mounting

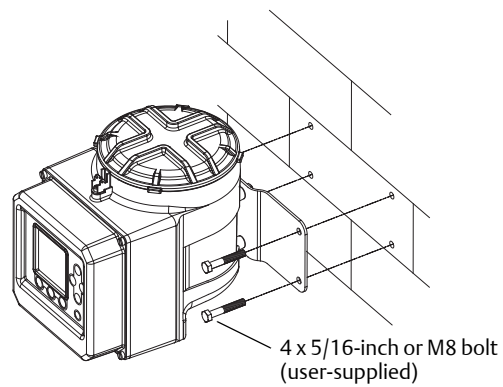
2.1 Mount the applications platform

- For flat-surface mounting, see [Section 2.1.1](#).
- For pole mounting, see [Section 2.1.2](#).

2.1.1 Mount to a flat surface

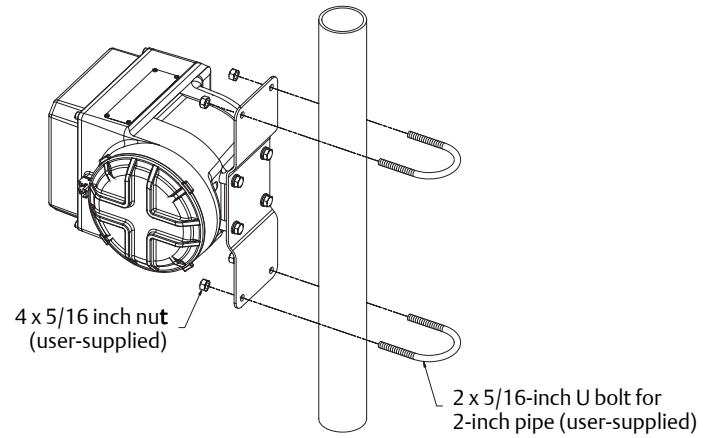
1. Mount all four bolts to the same surface.
2. If mounting surface is not flat, use washers to shim the bracket.
3. Do not secure bolts to any separate beams, girders, wall studs, etc. that can move independently.

Figure 2-1: Flat surface mounting example



2.1.2 Mount to a pole

Figure 2-2: Pole mounting example

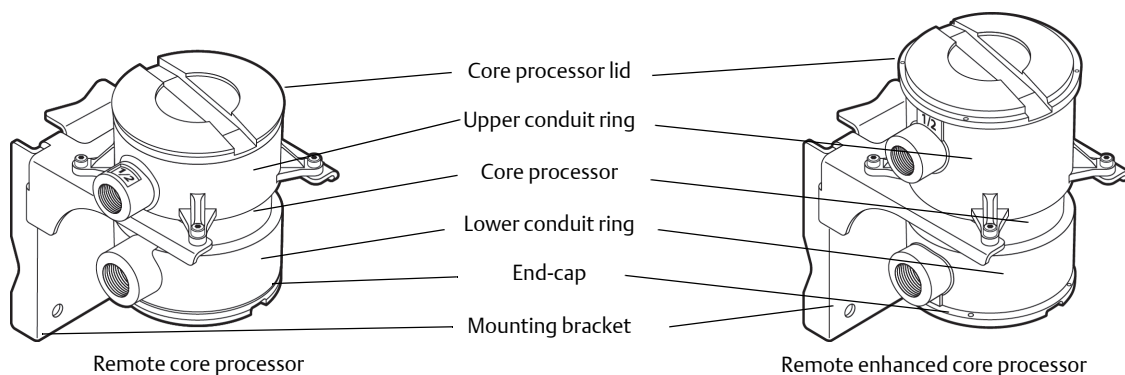


2.2 Mount the core processor

Use this section only if you are installing a remote transmitter using a remote core processor or a remote enhanced core processor. See [Figure 1-6](#). If you have a 4-wire remote installation, go to [Section 3.1](#).

[Figure 2-3](#) shows both types of core processors and mounting bracket. Using the mounting bracket, mount the core processor in a location compatible with the cable length requirements discussed in [Section 1.2](#).

Figure 2-3: Remote core processor and remote enhanced core processor components



3 Wiring

3.1 Connect input and output wiring

Figure 3-1 shows the location of the wiring terminals on the Model 3350 or Model 3700.

1. Using a flat-head screwdriver, loosen the four captive screws that secure the display cover to the housing.
2. Connect input/output wiring to the appropriate terminals on the gray terminal block. Refer to [Table 3-1](#) and to the label attached to the back of the display cover (shown in [Figure 3-1](#)).
 - Use 22 to 16 AWG (0,35 to 1,5 mm²) twisted-pair shielded wire.
 - Ground the cable shields at a single point only.
 - If more than two wires must be connected to a single terminal, use a butt splice or spade lug to connect the wires.

Figure 3-1: Wiring terminals

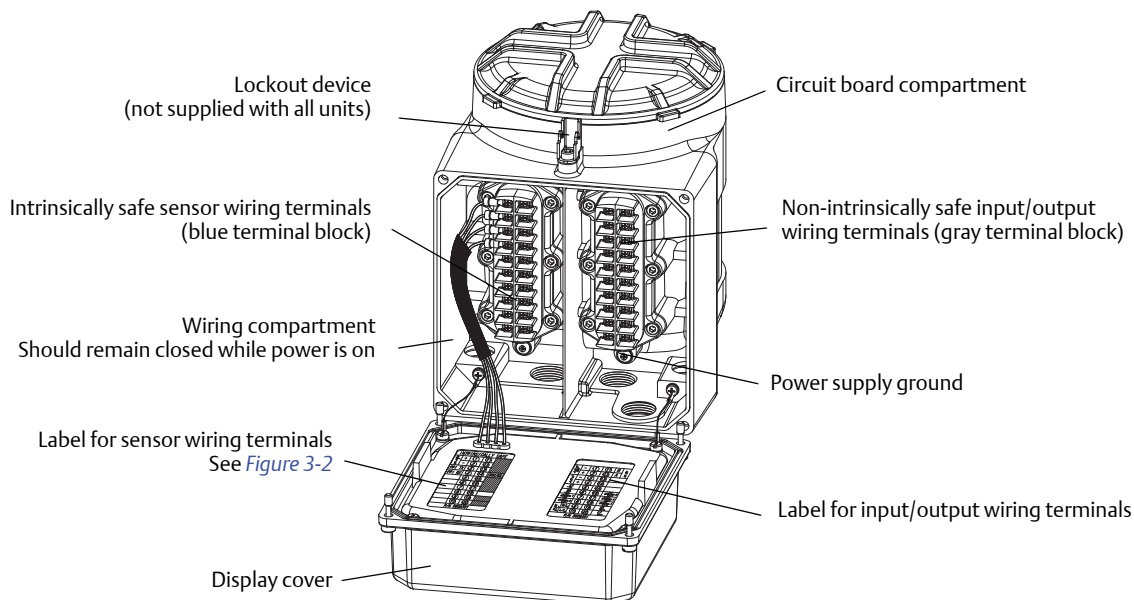
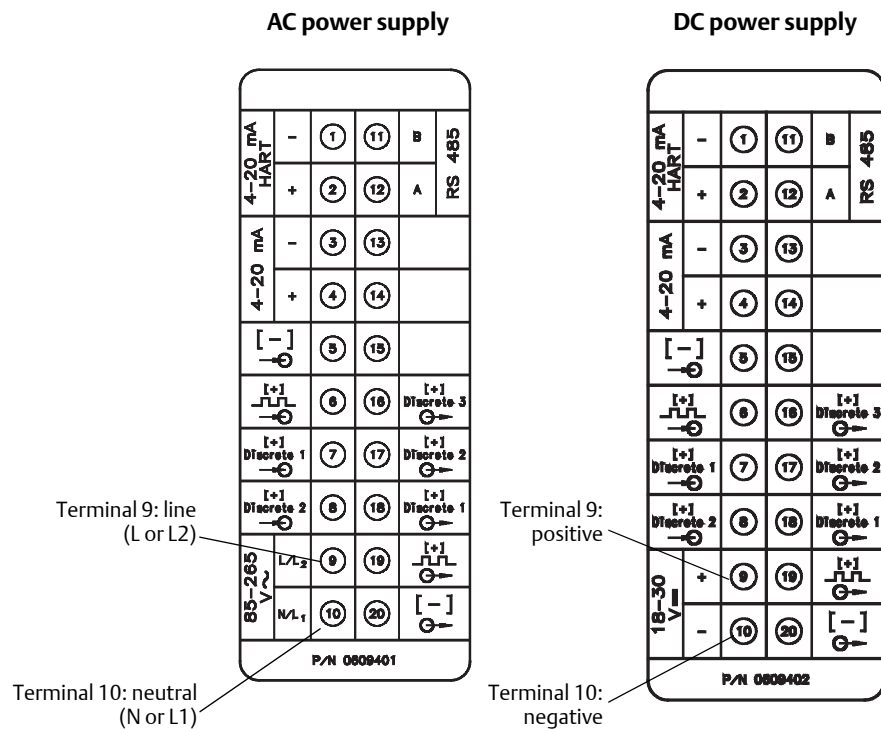


Table 3-1: Input/output wiring terminals

Terminal number		Designation
1 -	2 +	Primary 4–20 mA output / HART
3 -	4 +	Secondary 4–20 mA output
5 -	6 +	Frequency input
5 -	7 +	Discrete input 1
5 -	8 +	Discrete input 2
11 (B line)	12 (A line)	RS-485 output
20 -	16 +	Discrete output 3
20 -	17 +	Discrete output 2
20 -	18 +	Discrete output 1
20 -	19 +	Frequency output

Figure 3-2: Wiring terminal labels for Model 3350 or Model 3700



3.2 Connect the Model 3700 to the sensor

- If you are installing the Model 3350 controller, this step is not required. Go to [Section 3.4](#).
- To connect the Model 3700 transmitter to a Micro Motion sensor, follow the instructions in this section.

3.2.1 Installation options

The Model 3700 can be wired to the sensor in either of the following configurations:

- 4-wire remote transmitter (requires a 4-wire cable). See [Figure 1-5](#) and [Section 3.2.2](#).
- Remote core processor with remote transmitter (requires both a 4-wire and a 9-wire cable). See [Figure 1-6](#) and [Section 3.2.3](#).

3.2.2 Wiring instructions for 4-wire remote installations

1. Prepare the cable as described in the sensor documentation.
2. Connect the cable to the core processor as described in the sensor documentation.
3. To connect the cable to the transmitter:
 - a. Identify the wires in the 4-wire cable.

Use the 4-wire cable supplied by Micro Motion. This cable consists of one pair of 18 AWG (0,75 mm²) wires (red and black) for the VDC connection, and one pair of 22 AWG (0,35 mm²) wire (green and white) for the RS-485 connection.

- b. Connect the four wires from the core processor to the appropriate terminals on the transmitter.

See [Table 3-2](#) and [Figure 3-3](#) (standard core processor) or [Figure 3-3](#) (enhanced core processor).

- Do not leave bare wires exposed.
- Do not ground the shield or drain wires at the transmitter.

Table 3-2: Transmitter terminals for 4-wire cable

Terminal	Wire color ⁽¹⁾	Function
13	Red	VDC+
14	Black	VDC-
15	White	RS-485A
16	Green	RS-485B

(1) Wire colors apply to only 4-wire cable supplied by Micro Motion.

Figure 3-3: 4-wire cable to Model 3700 standard and remote core processors

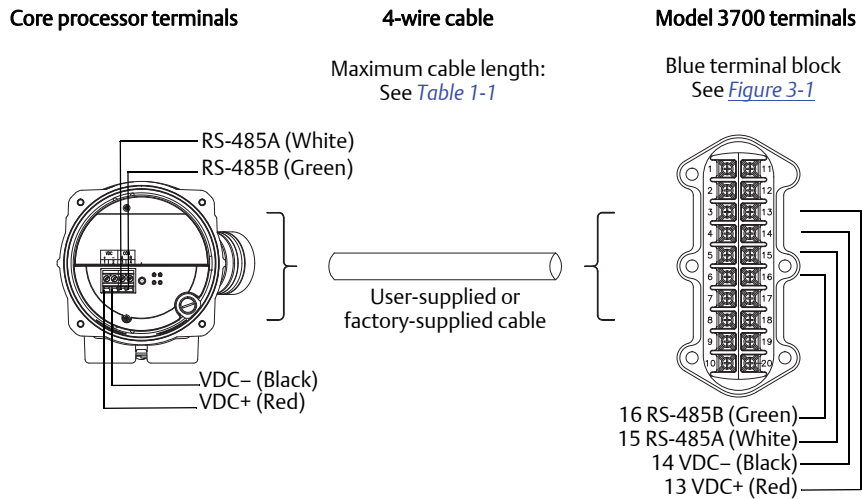
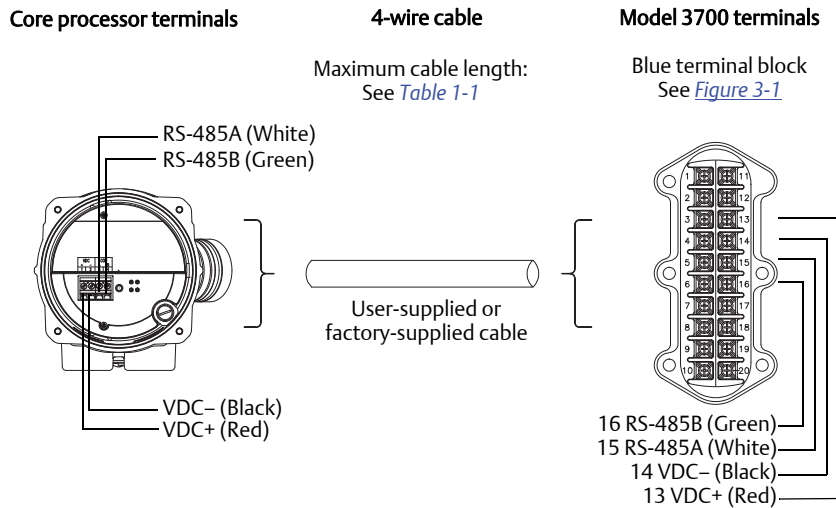


Figure 3-4: 4-wire cable to Model 3700 enhanced and remote enhanced core processors



3.2.3 Wiring instructions for remote core processor with remote transmitter

There are two phases to this procedure:

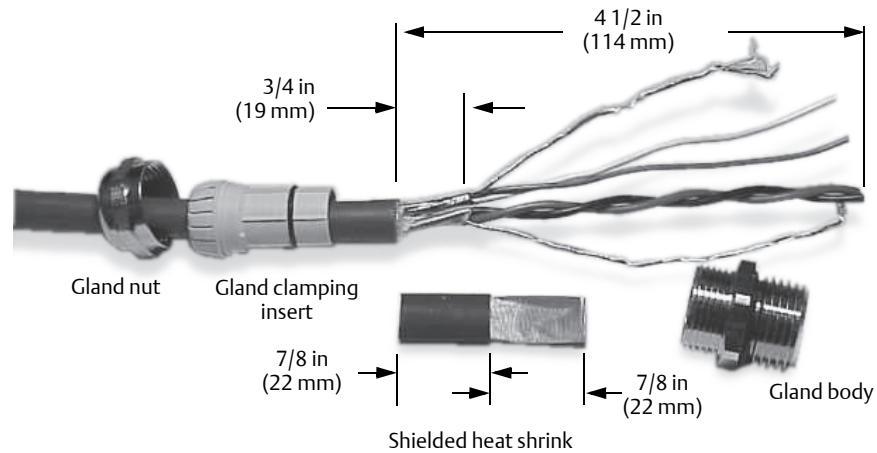
- Wiring the remote core processor to the transmitter
- Wiring the sensor to the remote core processor

To wire the remote core processor to the transmitter:

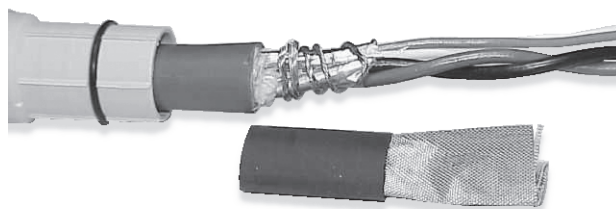
1. Use one of the following methods to shield the wiring:

Installation method	Procedure
Unshielded wiring in continuous metallic conduit that provides 360° termination shielding for the enclosed wiring	Go to Step 8
A user-supplied cable gland with shielded cable or armored cable, terminate the shields in the cable gland. Terminate both the armored braid and the shield drain wires in the cable gland	Go to Step 8
A Micro Motion-supplied cable gland at the core processor housing	Go to Step 2

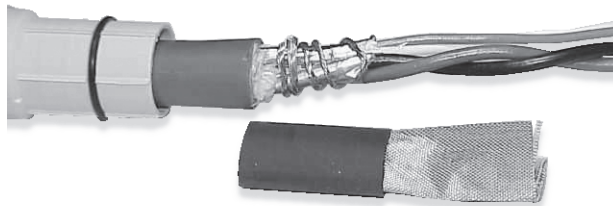
2. Do one of the following:
 - If you are using shielded cable, prepare the cable and apply shielded heat shrink as described in Step 6. The shielded heat shrink provides a shield termination suitable for use in the gland when using cable whose shield consists of foil and not a braid.
 - If you are using armored cable, prepare the cable as described in Step 6, but do not apply heat shrink – omit Steps 6d, e, f, and g.
3. Identify the components shown in [Figure 2-3](#).
4. Remove the core processor lid.
5. Slide the gland nut and the clamping insert over the cable. See [Figure 3-5](#).

Figure 3-5: Gland nut and clamping insert

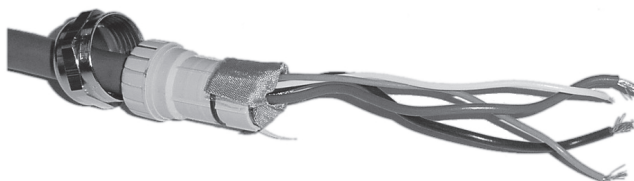
6. For connection at the core processor housing, prepare shielded cable as follows (for armored cable, omit steps d, e, f, g):
 - a. Strip 4 1/2 inches (114 mm) of cable jacket.
 - b. Remove the clear wrap that is inside the cable jacket, and remove the filler material between the wires.
 - c. Remove the foil shield that is around the insulated wires, leaving 3/4 inch (19 mm) of foil or braid and drain wires exposed, and separate the wires.
 - d. Wrap the shield drain wires around the exposed foil twice. See [Figure 3-6](#). Cut off the excess wire.

Figure 3-6: Shield drain wires wrapped twice around exposed shield foil

- e. Place the shielded heat shrink over the exposed shield drain wires. The tubing should completely cover the drain wires.
- f. Without burning the cable, apply heat (250 °F or 120 °C) to shrink the tubing. See [Figure 3-7](#).

Figure 3-7: Shielded heat shrink covering exposed drain wires

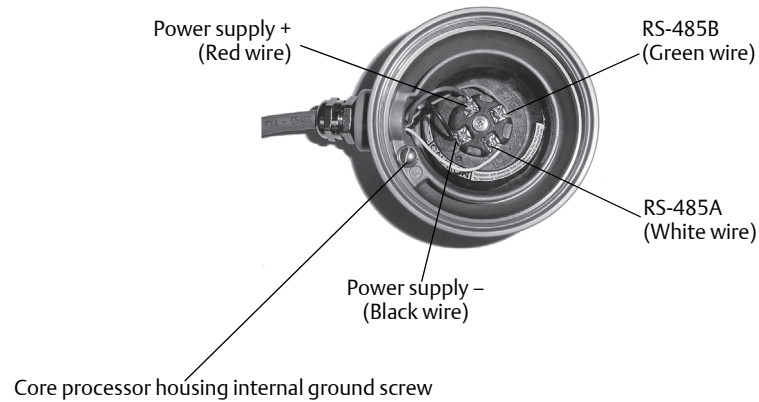
-
- g. Position gland clamping insert so the interior end is flush with the heat shrink.
 - h. Fold the cloth shield or braid and drain wires over the clamping insert and approximately 1/8 inch (3 mm) past the O-ring. See [Figure 3-8](#).

Figure 3-8: Folded cloth

-
- i. Install the gland body into the core processor housing conduit opening. See [Figure 3-9](#).

Figure 3-9: Installing the gland body

-
- 7. Insert the wires through the gland body and assemble the gland by tightening the gland nut.
 - 8. Identify the wires in the 4-wire cable.
Use the 4-wire cable supplied by Micro Motion. This cable consists of one pair of 18 AWG (0,75 mm²) wires (red and black) for the VDC connection, and one pair of 22 AWG (0,35 mm²) wire (green and white) for the RS-485 connection.
 - 9. Connect the four wires to the numbered slots on the core processor. See [Figure 3-10](#).

Figure 3-10: Connect the four wires to the numbered slots

10. Connect the core processor housing internal ground screw if earth ground is required. Earth ground is required if the core processor cannot be grounded via sensor piping, and local codes require internal ground connections. Do not connect shield drain wires to this terminal.
11. Reinstall and tighten the core processor lid.

⚠ WARNING!

Do not twist the core processor, as this will damage the sensor.

12. To connect the cable to the transmitter, connect the four wires from the core processor to the appropriate terminals on the transmitter. See [Table 3-2](#) and [Figure 3-3](#).
 - Do not leave bare wires exposed.
 - Do not ground the shield or drain wires at the transmitter.

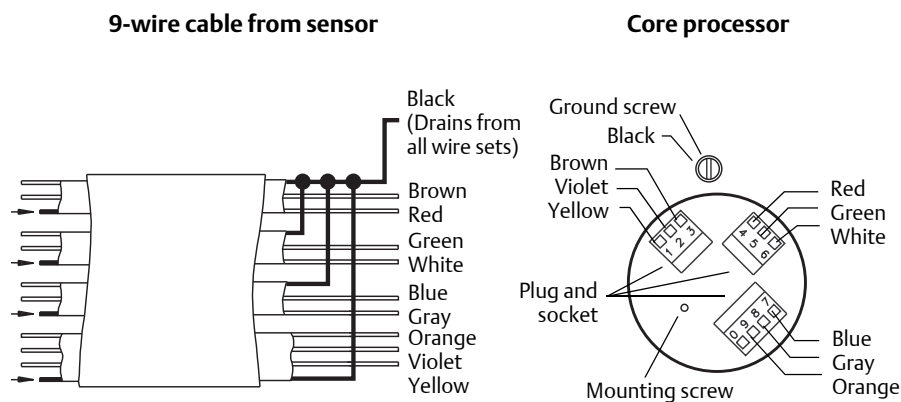
3.3 Wire the sensor to the remote core processor

⚠ CAUTION!

Do not allow the shield drain wires to contact the sensor junction box, as this can cause meter errors.

1. Refer to Micro Motion's *9-Wire Flowmeter Cable Preparation and Installation Guide* for instructions on cable shielding and preparation:
 - At the sensor end, follow the instructions for your cable type.
 - At the core processor end, follow the instructions for your cable type with an MVD transmitter.
2. To connect the wires, refer to Micro Motion's *9-Wire Flowmeter Cable Preparation and Installation Guide* and follow the instructions for your sensor with an MVD transmitter. Additional information for connecting the wires at the core processor is provided below:
 - a. Identify the components shown in *Figure 2-3*.
 - b. Remove the core processor's end-cap.
 - c. Insert the 9-wire cable through the conduit opening.
 - d. Connect the wires to the plugs supplied with the core processor.
 - e. Insert the plugs into the sockets inside the lower conduit ring. See *Figure 3-11*.

Figure 3-11:9-wire cable to core processor



3. Ground the cable.

Cable type	Procedure
Jacketed cable	Ground the shield drain wires (the black wire) only on the core processor end, by connecting it to the ground screw inside the lower conduit ring. Do not ground to the core processor's mounting screw. Do not ground the cable at the sensor junction box.
Shielded or armored cable	Ground the shield drain wires (the black wire) only on the core processor end, by connecting it to the ground screw inside the lower conduit ring. Do not ground to the core processor's mounting screw. Do not ground the cable at the sensor junction box. Ground the cable braid on both ends, by terminating it inside the cable glands.

4. Ensure the integrity of the gaskets, grease all O-rings, then close the junction box housing and core processor end-cap, and tighten all screws.

⚠ CAUTION!

Make sure that the wires are not caught or pinched when you close the housing to reduce the risk of measurement error or meter failure.

3.4 Connect the power supply wiring

⚠ CAUTION!

- **Do not install power supply wiring in the same cable tray or conduit as the input/output wiring to avoid device failure or measurement error.**
- **Shut off the power supply before installing the applications platform.**
- **Make sure the power supply voltage matches the voltage that is indicated on the power supply wiring terminals.** See [Figure 3-2](#).

Connect the Model 3350 or Model 3700 to a power supply using the following steps:

1. Acquire a 18 to 12 AWG (0,75 to 4,0 mm²) wire.
2. Using a flat-head screwdriver, loosen the captive screws that secure the display cover to the housing.
3. Ground the transmitter as follows:
 - a. Connect the ground wire to the green power supply ground screw. See [Figure 3-1](#).
 - b. Connect the power supply ground wire directly to earth ground.
 - c. Keep all ground leads as short as possible.
 - d. Ground wiring must have less than 1 ohm impedance.
4. Connect wires to terminals 9 and 10 on the gray terminal block. See [Figure 3-1](#) and [Figure 3-2](#).
5. Close the display cover and tighten the screws.
6. (Optional). Install a user-supplied switch in the power supply line.
In Europe, install the switch close to the Model 3350 or Model 3700 in order to comply with low-voltage directive 2006/95/EC. For details, see standard EN 61010-1:2010 clause 5.4.3.d.



20001008
Rev BC
2021

For more information: www.emerson.com

©2021 Micro Motion, Inc. All rights reserved.

The Emerson logo is a trademark and service mark of Emerson Electric Co. Micro Motion, ELITE, ProLink, MVD and MVD Direct Connect marks are marks of one of the Emerson Process Management family of companies. All other marks are property of their respective owners.

MICRO MOTION™

