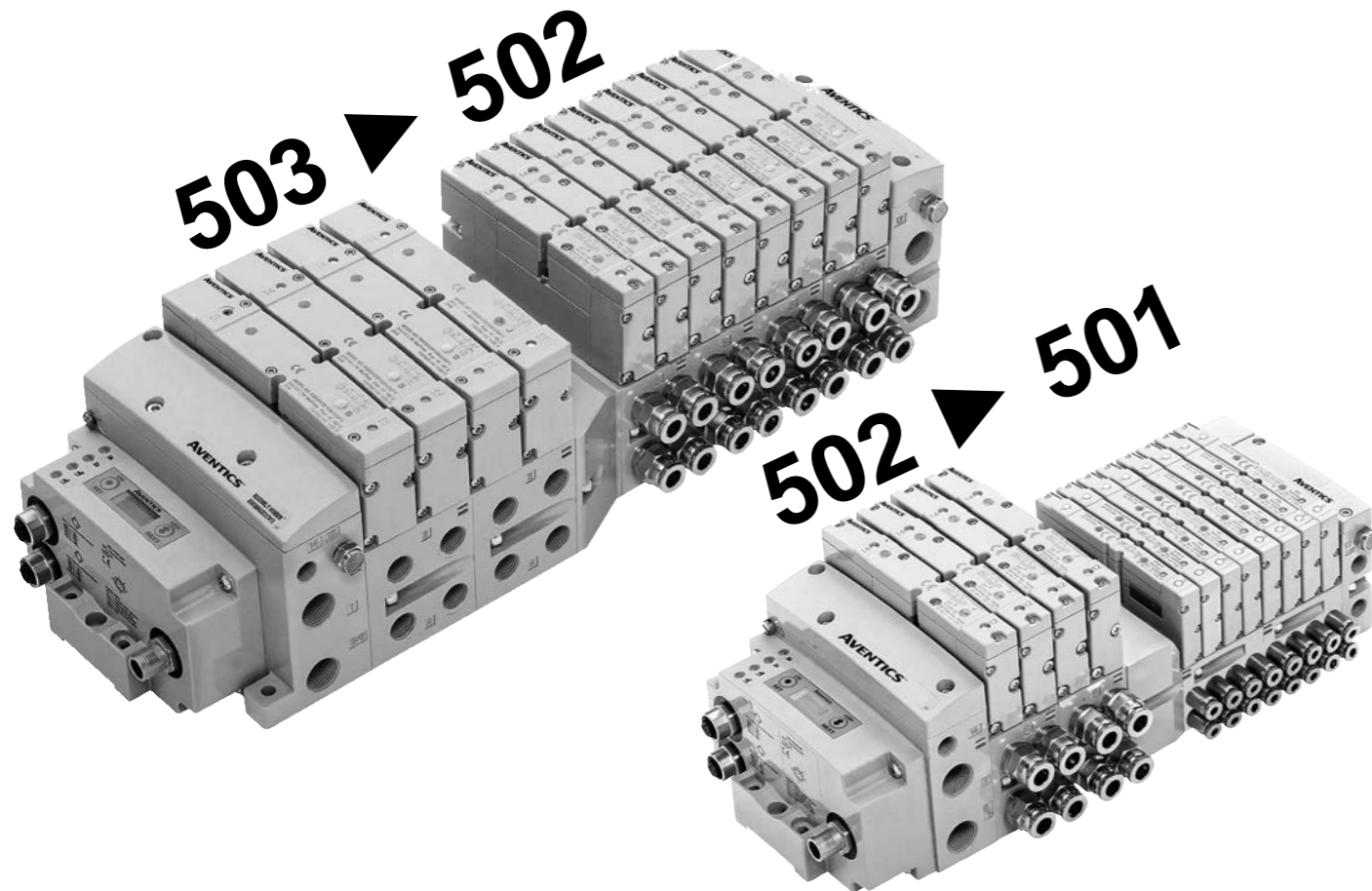


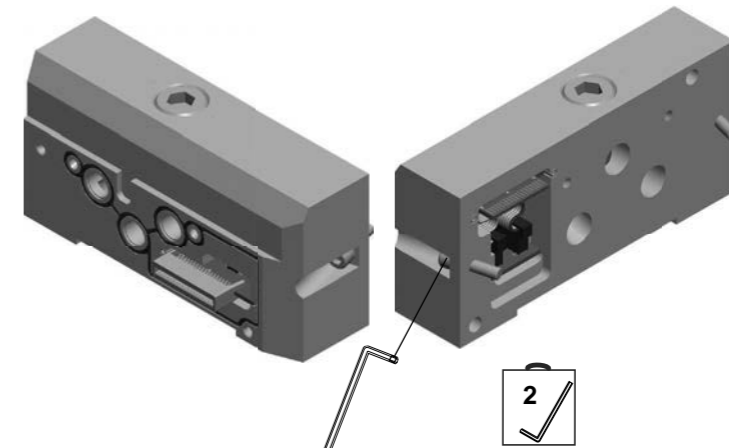
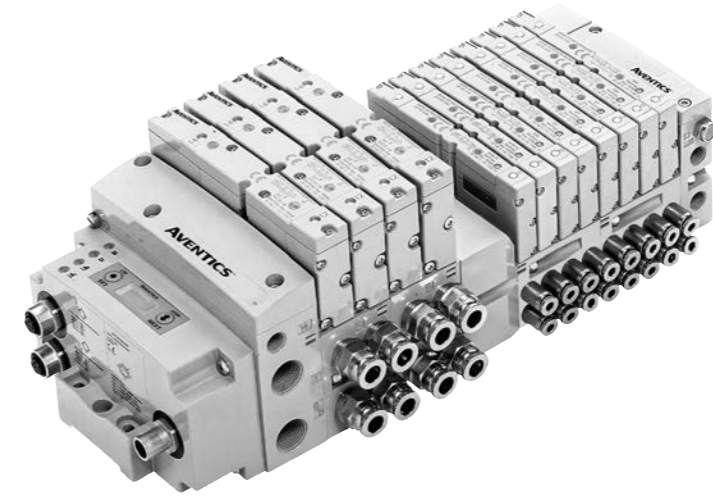
INSTALLATION AND MAINTENANCE INSTRUCTIONS	EN
INSTRUCTIONS D'INSTALLATION ET DE MAINTENANCE	FR
INBETRIEBNAHME - UND WARTUNGSANLEITUNG	DE
INSTRUCCIONES DE PUESTA EN MARCHA Y MANTENIMIENTO	ES
ISTRUZIONI DI MESSA IN SERVIZIO E MANUTENZIONE	IT
ALGEMENE INSTALLATIE- EN ONDERHOUDSINSTRUCTIES	NL
INSTALLASJONS- OG VEDLIKEHOLDSINSTRUKSER	NO
INSTALLATIONS- OCH UNDERHÅLLSINSTRUKTIONER	SE
ASENNUS - JA HUOLTO-OHJEET	FI
INSTALLATIONS - OG VEDLIGEHOIDSANVISNINGER	DK
INSTRUÇÕES DE INSTALAÇÃO E MANUTENÇÃO	PT
ΟΔΗΓΙΕΣ ΤΟΠΟΘΕΤΗΣΗΣ ΚΑΙ ΣΥΝΤΗΡΗΣΗΣ	GR
POKYNŮ PRO INSTALACI A ÚDRŽBU	CZ
INSTRUKCJA MONTAŻU I KONSERWACJI	PL
TELERÍTÉSI ÉS KARBANTARTÁSI ÚTMUTATÓ	HU
ИНСТРУКЦИЯ ПО УСТАНОВКЕ И ОБСЛУЖИВАНИЮ	RU
ОРНАТУ ЖӘНЕ ҚЫЗМЕТ КӨРСЕТУ НҰСҚАУЛАР	KZ

TRANSFERT PLATES



515623-001 / AB

Availability, design and specifications are subject to change without notice. All rights reserved.



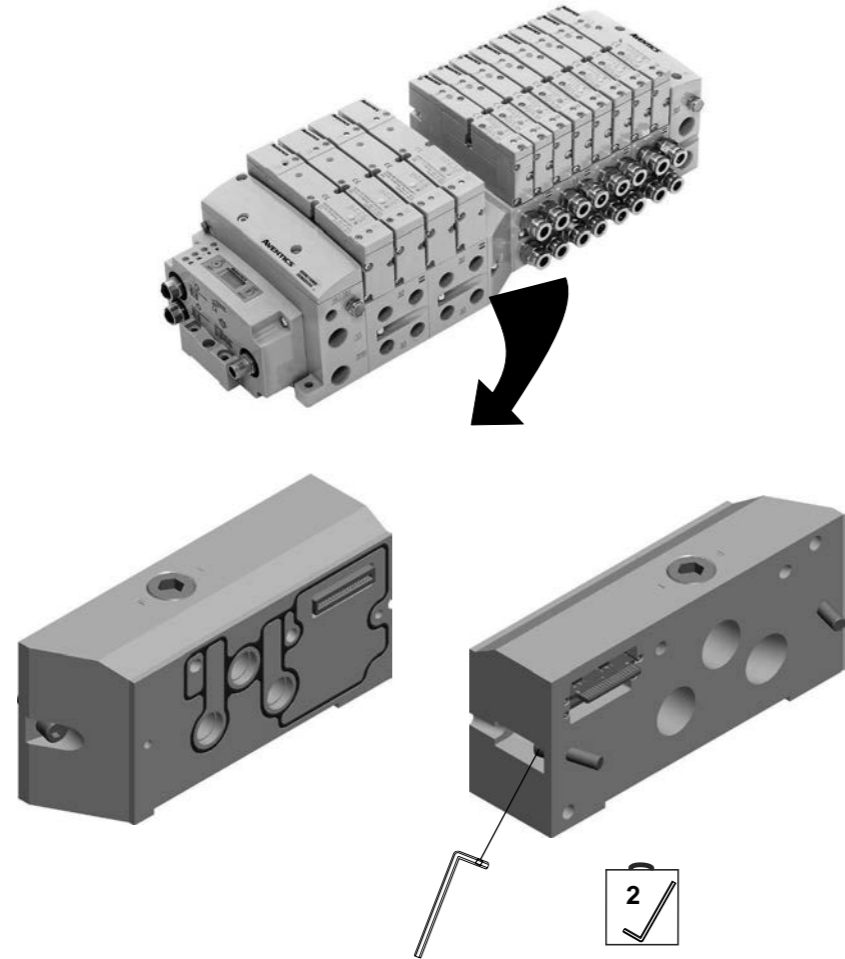
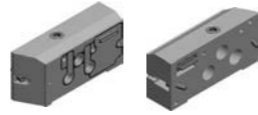
items	N.m	Inch.pounds
	4,6 ±10%	40.7 ±4.1

502 ▶ 501

G502AT429963002	1 = 1 x G 3/8
US ▶ 8502AT429963001	1 = 1 x NPT 3/8



**AVENTICS™ SERIES 502 - 503
TRANSFERT PLATES 503 - 502**



items	N.m	Inch.pounds
	4 ±10%	35.4 ±3.45

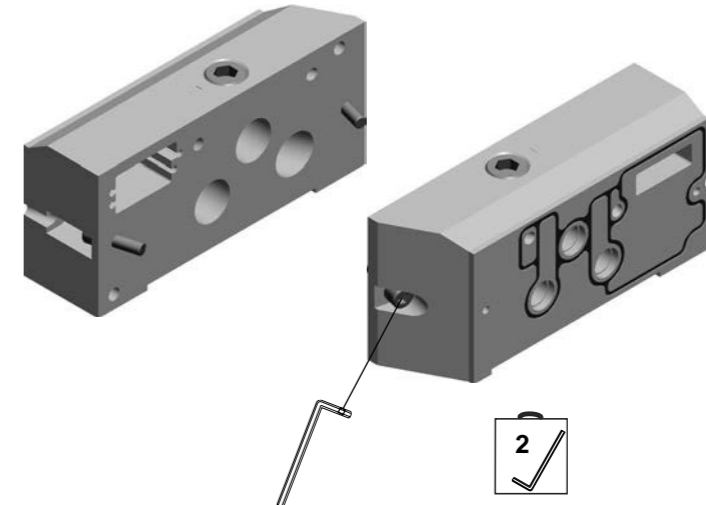


G503AT429964003	1 = 1 x G 3/8
US ▶ 8503AT429964001	1 = 1 x NPT 3/8

503 ▲ 502



**AVENTICS™ SERIES 502 - 503
TRANSFERT PLATES
ISO 15407-1 (26 mm - 18 mm)**



items	N.m	Inch.pounds
	4 ±10%	35.4 ±3.45



G503AT429964004	1 = 1 x G 3/8
US ▶ 8503AT429964002	1 = 1 x NPT 3/8

503 ISO M12 ▲ 502 ISO M12