

Multikupplung



AVENTICS™ Multikupplung



Multikupplung

- für Schottmontage geeignet



Betriebsdruck min./max.	0 ... 16 bar
Umgebungstemperatur min./max.	-20 ... 80 °C
Mediumtemperatur min./max.	-20 ... 80 °C
Medium	Druckluft

Technische Daten

Materialnummer	Anzahl der Anschlüsse	Schlauch-Ø	Gehäuse	Liefereinheit	Abb.
R412007569	4	4 mm	Polyamid	1 Stück	Fig. A
R412007573	4	6 mm	Polyamid	1 Stück	Fig. A
R412007570	4	4 mm	Polyamid	1 Stück	Fig. B
R412007574	4	6 mm	Polyamid	1 Stück	Fig. B
R412007571	7	4 mm	Polyamid	1 Stück	Fig. A
R412007575	7	6 mm	Polyamid	1 Stück	Fig. A
R412007572	7	4 mm	Polyamid	1 Stück	Fig. B
R412007576	7	6 mm	Polyamid	1 Stück	Fig. B
R412007577	4 7	-	Polyamid	1 Stück	Fig. C

Technische Informationen

Verbinden und Lösen von 4 - 7 Druckluftschläuchen
Eindeutige Montage der Schläuche durch Führungsstift.

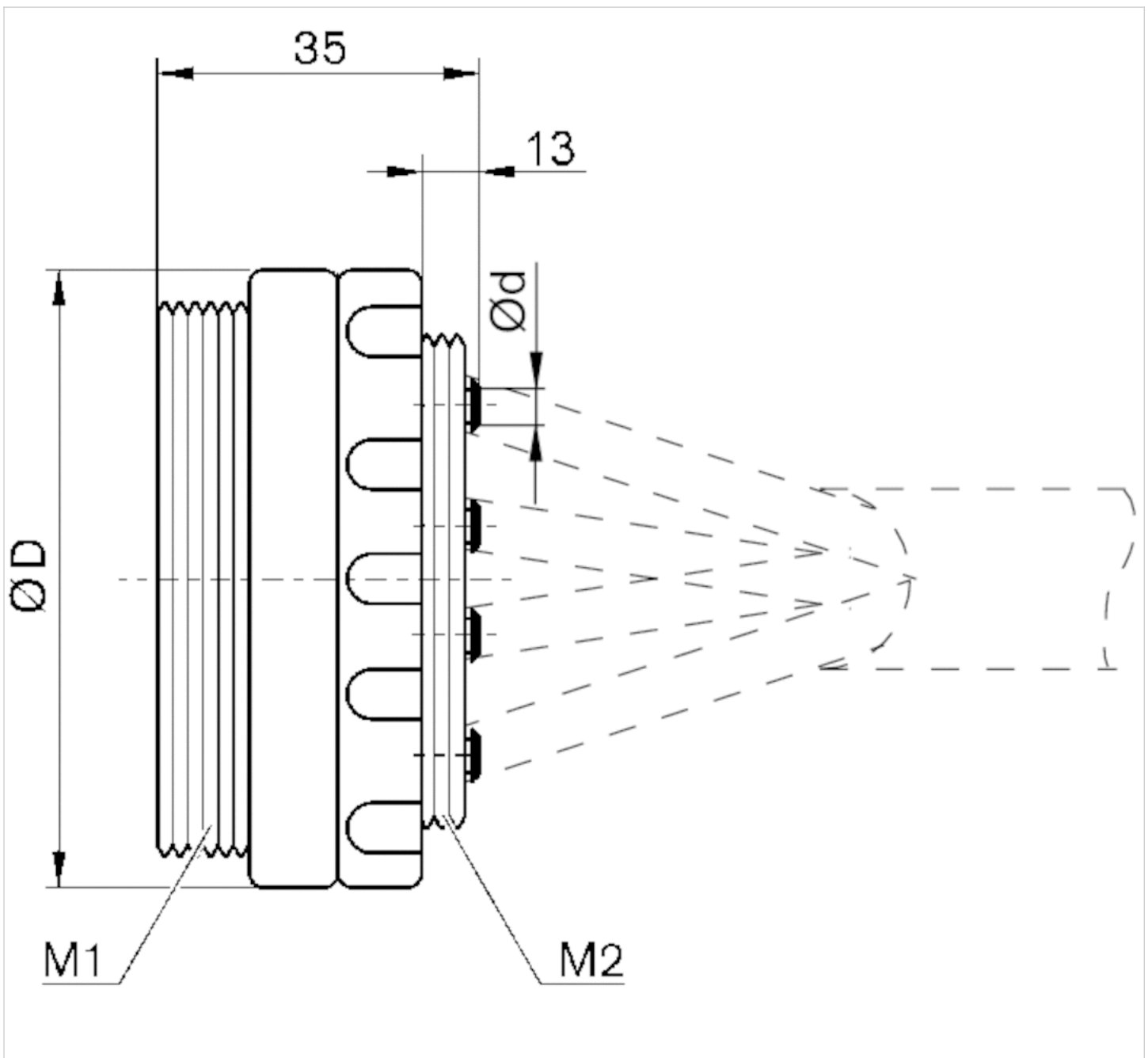
Technische Informationen

Werkstoff

Gehäuse	Polyamid
---------	----------

Abmessungen

Kupplungsstecker, Fig. A



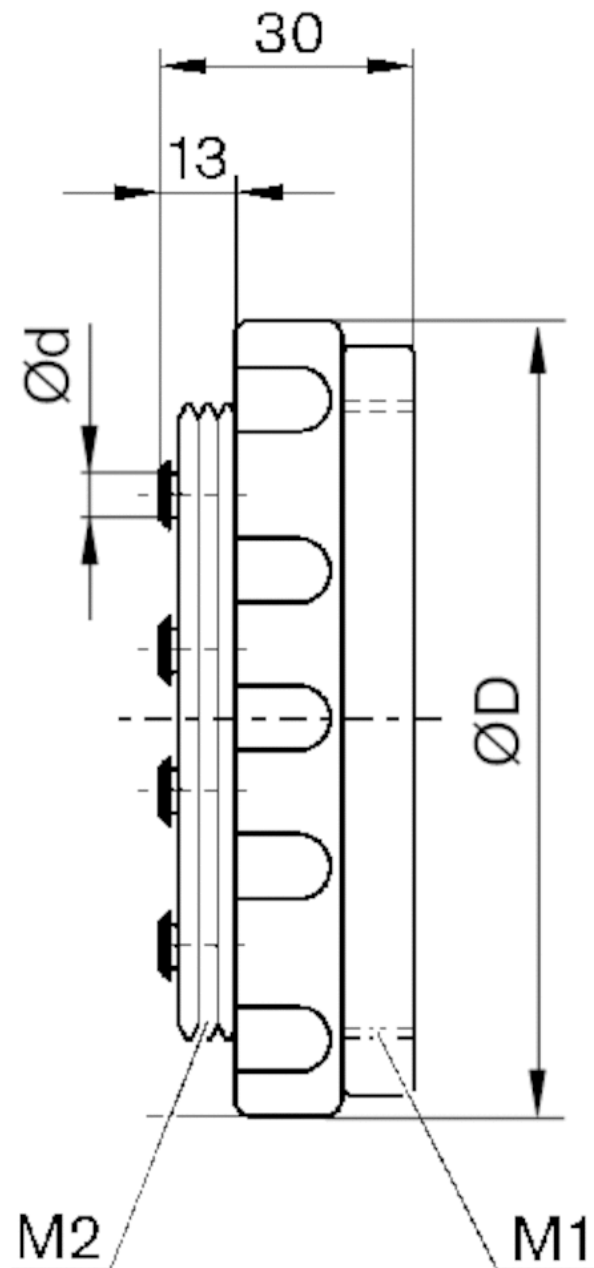
Abmessungen

Materialnummer	M1	M2	$\varnothing d$ 1)	$\varnothing D$
R412007569	M46x1,5	M40x1,5	4	50
R412007573	M46x1,5	M40x1,5	6	50
R412007571	M46x1,5	M40x1,5	4	50
R412007575	M46x1,5	M40x1,5	6	50

1) Schlauch- \varnothing (außen)

Abmessungen

Kupplungsbuchse, Fig. B



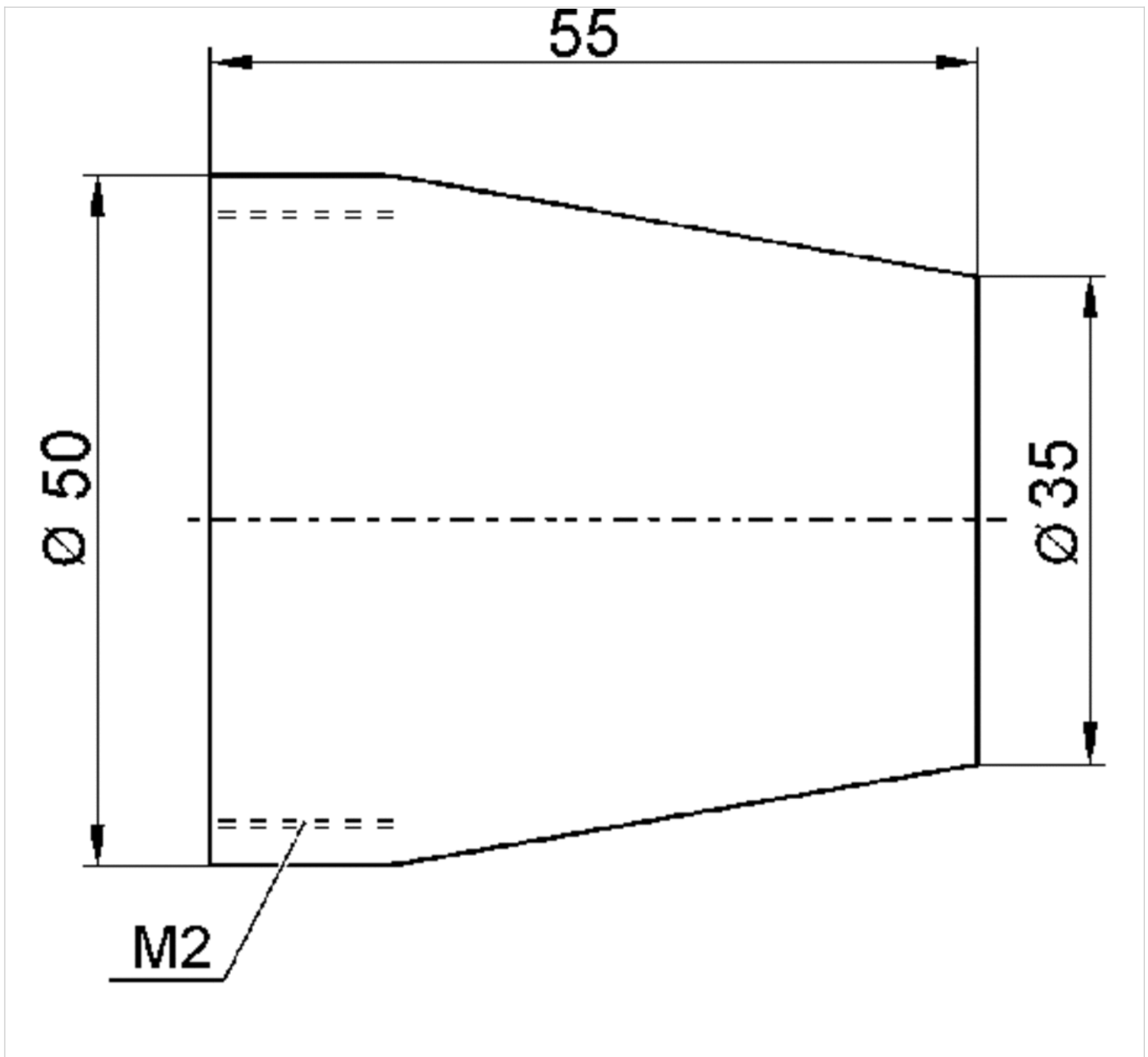
Abmessungen

Materialnummer	M1	M2	$\varnothing d$ 1)	$\varnothing D$
R412007570	M46x1,5	M40x1,5	4	55
R412007574	M46x1,5	M40x1,5	6	55
R412007572	M46x1,5	M40x1,5	4	55
R412007576	M46x1,5	M40x1,5	6	55

1) Schlauch- \varnothing (außen)

Abmessungen

Schutzkappe, Fig. C



Die Schutzkappe ist auf beiden Seiten der Kupplung montierbar.

Abmessungen

Materialnummer	M2
R412007577	M40x1,5

Efficient pneumatic solutions, our program: cylinders and drives, valves and valve systems, air supply management



Visit us: [Emerson.com/Aventics](https://www.emerson.com/Aventics)

Your local contact: [Emerson.com/contactus](https://www.emerson.com/contactus)



[Emerson.com](https://www.emerson.com)



[Facebook.com/EmersonAutomationSolutions](https://www.facebook.com/EmersonAutomationSolutions)



[LinkedIn.com/company/Emerson-Automation-Solutions](https://www.linkedin.com/company/Emerson-Automation-Solutions)



[Twitter.com/EMR_Automation](https://twitter.com/EMR_Automation)

An example configuration is depicted on the title page. The delivered product may thus vary from that in the illustration. Subject to change. This Document, as well as the data, specifications and other information set forth in it, are the exclusive property of AVENTICS GmbH. It may not be reproduced or given to third parties without its consent. Only use the AVENTICS products shown in industrial applications. Read the product documentation completely and carefully before using the product. Observe the applicable regulations and laws of the respective country. When integrating the product into applications, note the system manufacturer's specifications for safe use of the product. The data specified only serve to describe the product. No statements concerning a certain condition or suitability for a certain application can be derived from our information. The information given does not release the user from the obligation of own judgement and verification. It must be remembered that the products are subject to a natural process of wear and aging.

The Emerson logo is a trademark and service mark of Emerson Electric Co. Brand logotype are registered trademarks of one of the Emerson family of companies. All other marks are the property of their respective owners. © 2020 Emerson Electric Co. All rights reserved.
2020-12



CONSIDER IT SOLVED™