

Pneumatischer Impulsgeber



AVENTICS™ Pneumatischer Impulsgeber

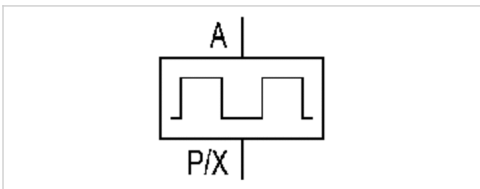


Pneumatischer Impulsgeber

- $Q_n = 50 \text{ l/min}$
- Impulsabstand 1 s
- Druckluftanschluss Eingang M5



Betriebsdruck min./max.	2 ... 6 bar
Steuerdruck min./max.	2 ... 6 bar
Umgebungstemperatur min./max.	0 ... 60 °C
Mediumtemperatur min./max.	0 ... 60 °C
Medium	Druckluft
Max. Partikelgröße	40 μm
Ölgehalt der Druckluft	0 ... 0,1 mg/m ³
Zeitabweichung max.	-15%
Gewicht	0,177 kg



Technische Daten

Materialnummer	Druckluftanschluss	Durchfluss	Impulsabstand	Laufzeitfehler
	Eingang	Q_n		
0820215115	M5	50 l/min	1 s	$\pm 2,0$

Technische Informationen

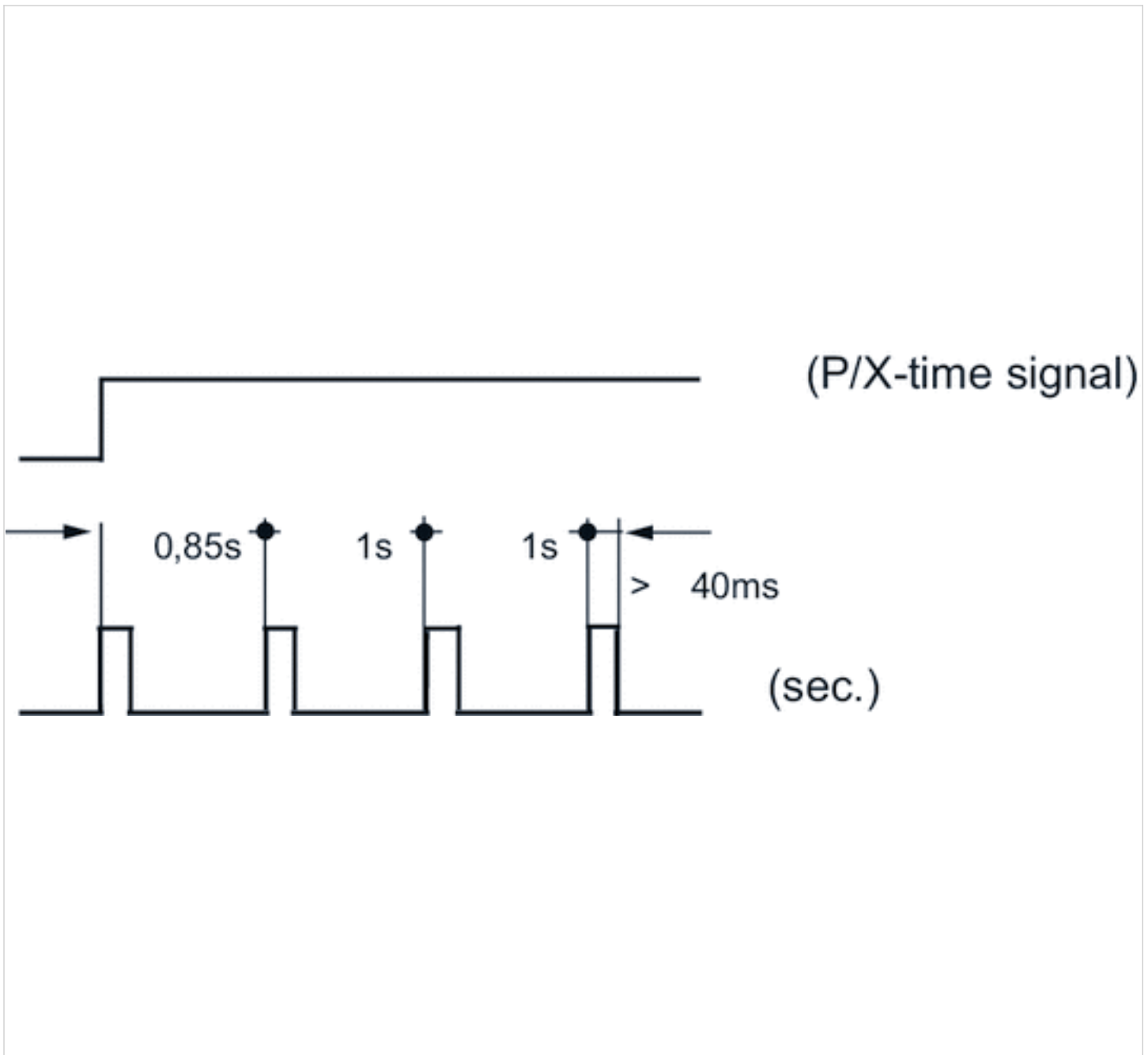
Hinweis: Nur mit ölfreier Druckluft betreiben.

Der Drucktaupunkt muss mindestens 15 °C unter der Umgebungs- und Mediumtemperatur liegen und darf max. 3 °C betragen.

Die max. Zeitabweichung gilt in der ersten Zeiteinheit.

Diagramme

Funktionsablauf



P/X time signal = P/X-Zeitsignal

sec. = Impulsdauer 1 Sekunde

Bei Luftversorgung am Eingang P/X läuft der Impulsgeber an und gibt je Sekunde bzw. Minute einen Druckluftimpuls ab.

Efficient pneumatic solutions, our program: cylinders and drives, valves and valve systems, air supply management



Visit us: [Emerson.com/Aventics](https://www.emerson.com/Aventics)

Your local contact: [Emerson.com/contactus](https://www.emerson.com/contactus)



Emerson.com



[Facebook.com/EmersonAutomationSolutions](https://www.facebook.com/EmersonAutomationSolutions)



[LinkedIn.com/company/Emerson-Automation-Solutions](https://www.linkedin.com/company/Emerson-Automation-Solutions)



[Twitter.com/EMR_Automation](https://twitter.com/EMR_Automation)

An example configuration is depicted on the title page. The delivered product may thus vary from that in the illustration. Subject to change. This Document, as well as the data, specifications and other information set forth in it, are the exclusive property of AVENTICS GmbH. It may not be reproduced or given to third parties without its consent. Only use the AVENTICS products shown in industrial applications. Read the product documentation completely and carefully before using the product. Observe the applicable regulations and laws of the respective country. When integrating the product into applications, note the system manufacturer's specifications for safe use of the product. The data specified only serve to describe the product. No statements concerning a certain condition or suitability for a certain application can be derived from our information. The information given does not release the user from the obligation of own judgement and verification. It must be remembered that the products are subject to a natural process of wear and aging.

The Emerson logo is a trademark and service mark of Emerson Electric Co. Brand logotype are registered trademarks of one of the Emerson family of companies. All other marks are the property of their respective owners. © 2020 Emerson Electric Co. All rights reserved.
2020-12



CONSIDER IT SOLVED™