

Serie CH01



AVENTICS™ Serie CH01



Serie CH01

- Qn = 38-2800 l/min

- Innengewinde / Innengewinde



Betriebsdruck min./max.	0 ... 10 bar
Umgebungstemperatur min./max.	0 ... 80 °C
Mediumtemperatur min./max.	0 ... 80 °C
Medium	Druckluft
Gewicht	Siehe Tabelle unten



Technische Daten

Materialnummer	Anschluss 1	Anschluss 2	Drosselbohrung	Durchfluss	Gewicht	Abb.
			Ø	Qn		
0821201010	G 1/8	G 1/8	1 mm	38 l/min	0,035 kg	Fig. 1
0821201004	G 1/8	G 1/8	2 mm	140 l/min	0,035 kg	Fig. 1
0821201011	G 1/4	G 1/4	4 mm	700 l/min	0,045 kg	Fig. 1
0821201006	G 1/2	G 1/2	8,5 mm	2800 l/min	0,17 kg	Fig. 2

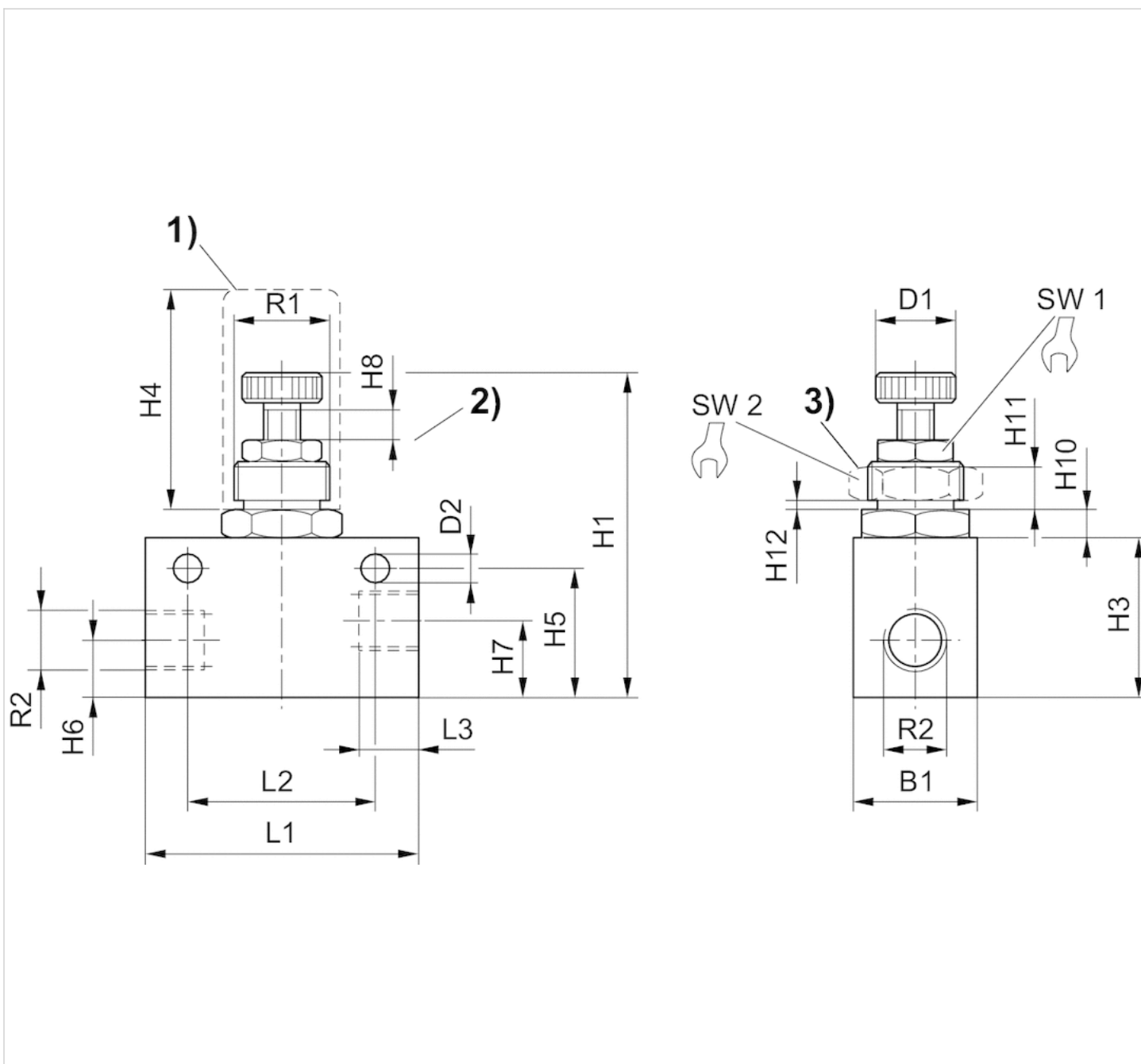
Nenndurchfluss Qn bei 6 bar und $\Delta p = 1$ bar

Technische Informationen

Werkstoff	
Gehäuse	Aluminium, eloxiert
Dichtungen	Acrylnitril-Butadien-Kautschuk
Drosselschraube	Stahl, verzinkt

Abmessungen

Fig. 1



1) Schutzkappe 2) Verstellweg der Drossel 3) Mutter für Schalttafelanbau

Abmessungen

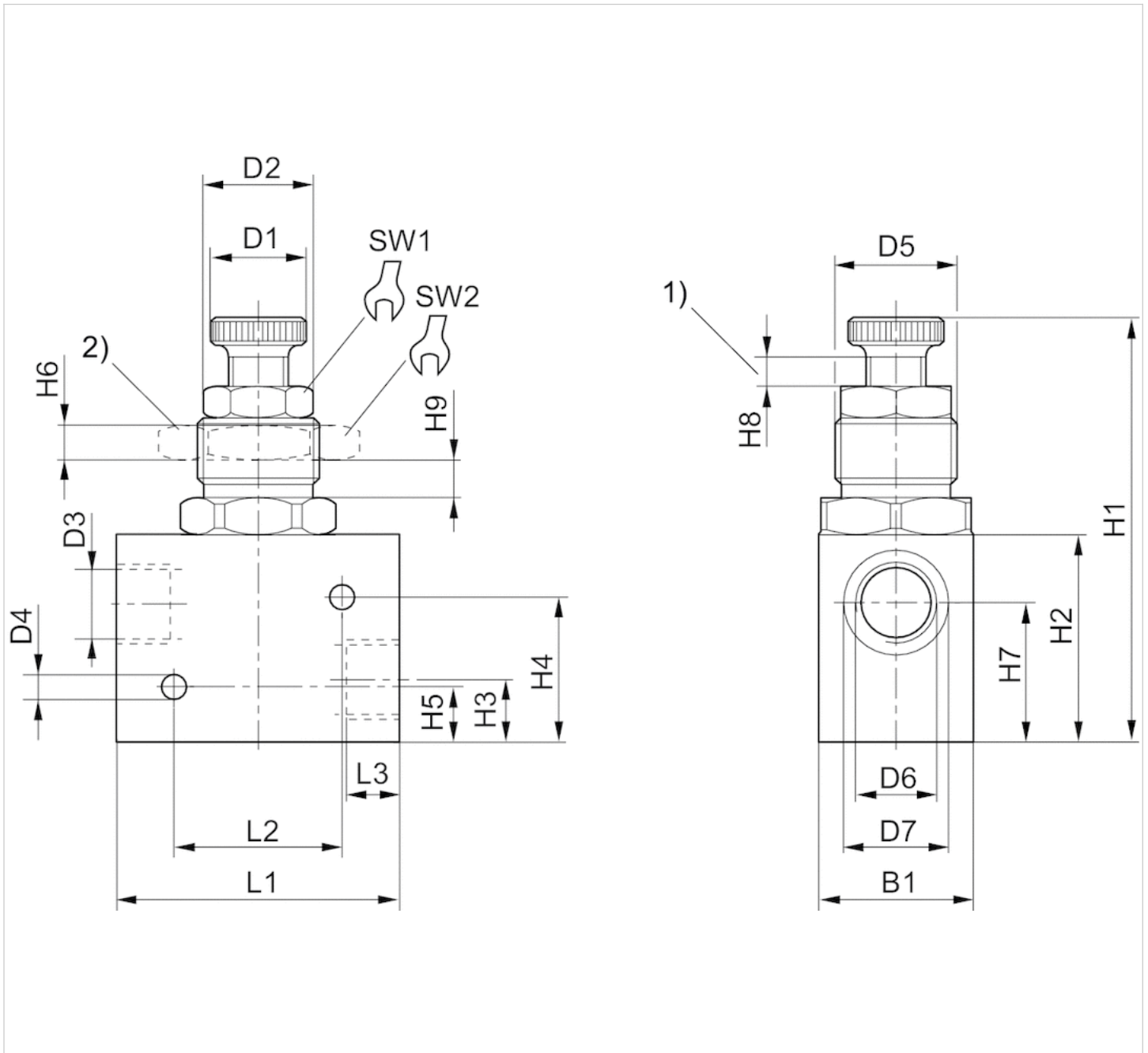
Materialnummer	Anschluss G	R1	R2	B1	D1	D2	H1	H3	H4	H5	H6	H7	H8	H10	H11	H12
0821201010	G 1/8	M12x1	G 1/8	16	9,8	4,5	56	20	35	16,5	8	8	4	4,2	4	0
0821201004	G 1/8	M12x1	G 1/8	16	9,8	4,5	56	20	35	16,5	8	8	4	4,2	4	0
0821201011	G 1/4	M20x1,5	G 1/4	25	15	5,5	70	32	40	26	11	15	5	5,5	6	0

Materialnummer	L1	L2	L3	SW1	SW2
0821201010	35	25	8	10	17

Materialnummer	L1	L2	L3	SW1	SW2
0821201004	35	25	8	10	17
0821201011	55	38	12	13	24

Abmessungen

Fig. 2



1) Verstellweg der Drossel 2) Mutter für Schalttafelanbau

Abmessungen

Materialnummer	Anschluss G	D1	D2	D3	D4	D5	D6	D7	B1	H1	H2	H3	H4	H5	H6	H7	H8
0821201006	G 1/2	27	27,5	19	6,5	M32x1,5	G1/2	27	40	120	50	17	40.5	15.5	9	38	8

Materialnummer	H9	L1	L2	L3	SW1	SW2
0821201006	9	75.3	45	14	24	46

Schutzkappe



Gewicht

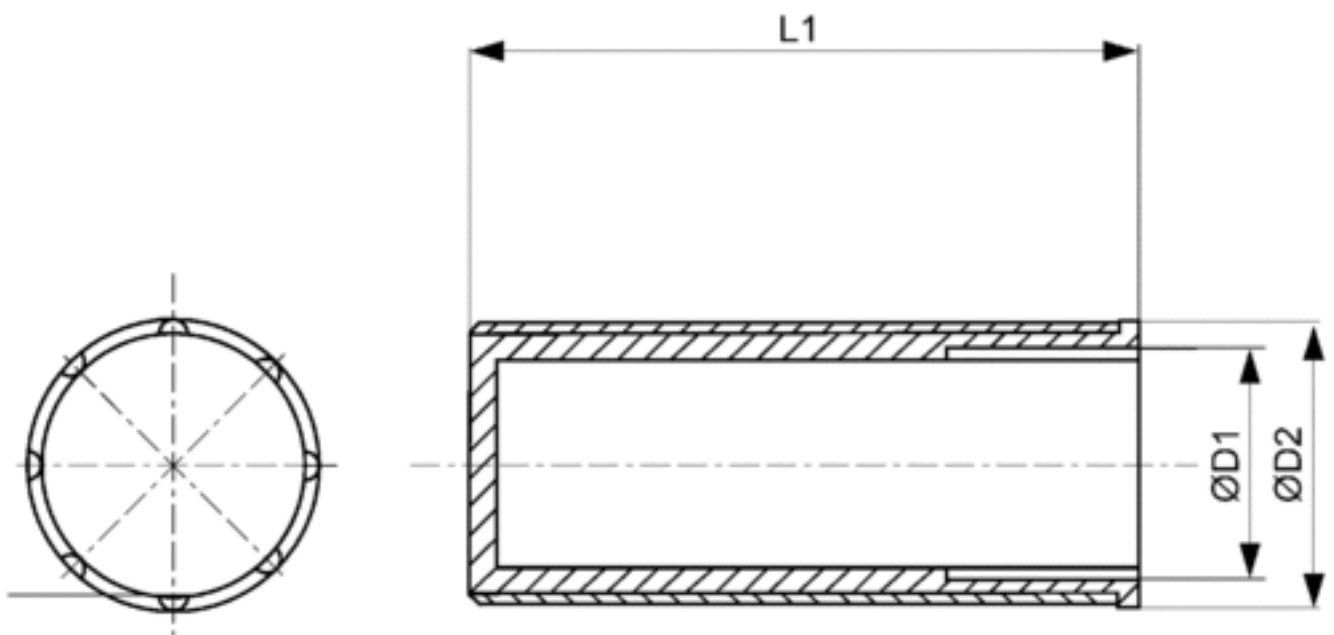
Siehe Tabelle unten

Technische Daten

Materialnummer	Liefereinheit	Gewicht
1823317003	10 Stück	0,002 kg
1823317002	10 Stück	0,004 kg

Abmessungen

Abmessungen



Abmessungen

Materialnummer	$\text{Ø} D1$	$\text{Ø} D2$	$L1$
1823317003	M12x1	15	35
1823317002	M20x1,5	24	40

Sechskantmutter für Schalttafeleinbau

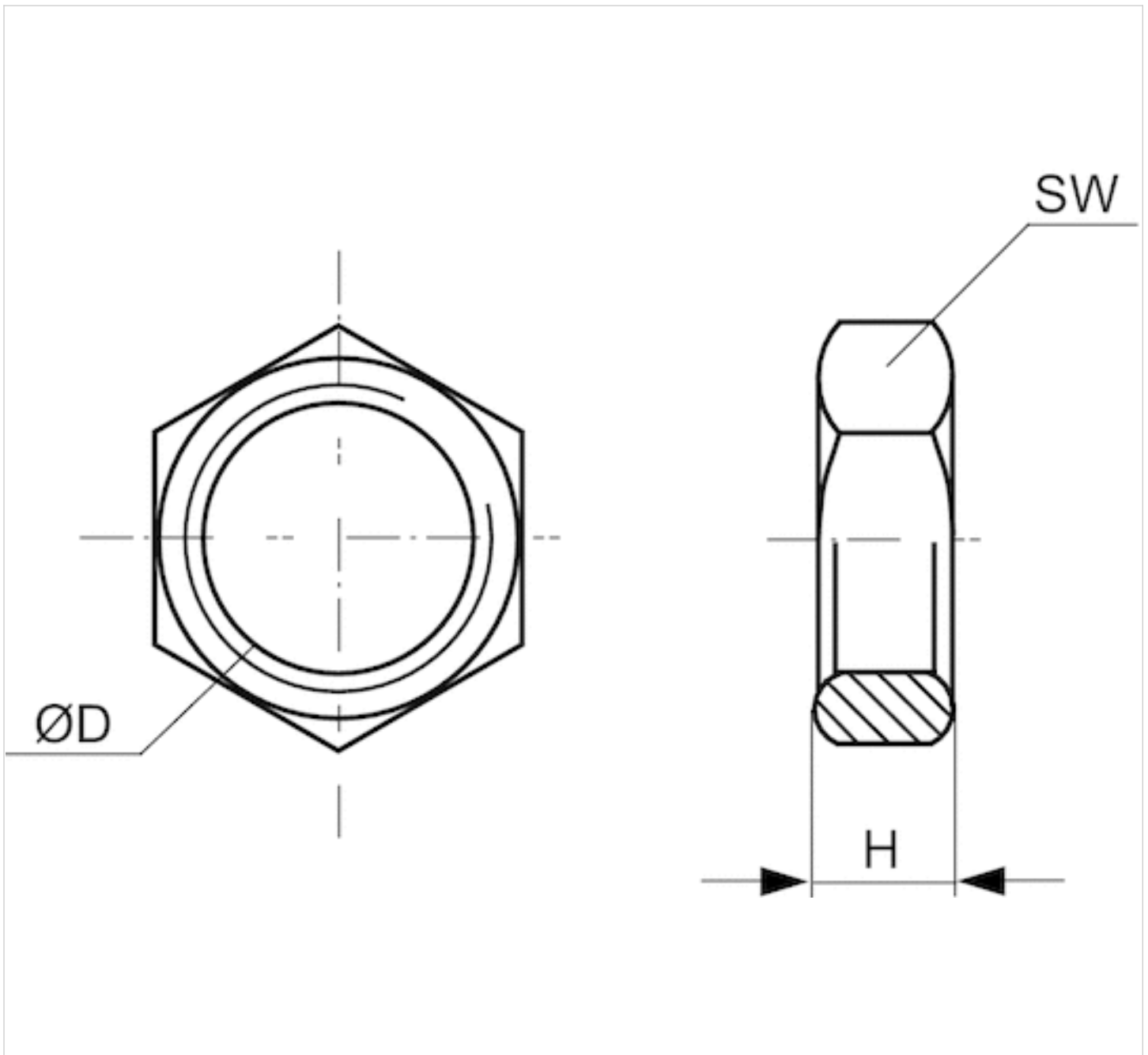


Technische Daten

Materialnummer	Gewindeanschluss	Liefereinheit
1823300009	M20x1,5	10 Stück
1823300010	M32x1,5	5 Stück

Abmessungen

Abmessungen



Abmessungen

Materialnummer	$\varnothing D$	H	SW
1823300009	M20x1,5	6	24
1823300010	M32x1,5	9	46

Efficient pneumatic solutions, our program: cylinders and drives, valves and valve systems, air supply management



Visit us: [Emerson.com/Aventics](https://www.emerson.com/Aventics)

Your local contact: [Emerson.com/contactus](https://www.emerson.com/contactus)



[Emerson.com](https://www.emerson.com)



[Facebook.com/EmersonAutomationSolutions](https://www.facebook.com/EmersonAutomationSolutions)



[LinkedIn.com/company/Emerson-Automation-Solutions](https://www.linkedin.com/company/Emerson-Automation-Solutions)



[Twitter.com/EMR_Automation](https://twitter.com/EMR_Automation)

An example configuration is depicted on the title page. The delivered product may thus vary from that in the illustration. Subject to change. This Document, as well as the data, specifications and other information set forth in it, are the exclusive property of AVENTICS GmbH. It may not be reproduced or given to third parties without its consent. Only use the AVENTICS products shown in industrial applications. Read the product documentation completely and carefully before using the product. Observe the applicable regulations and laws of the respective country. When integrating the product into applications, note the system manufacturer's specifications for safe use of the product. The data specified only serve to describe the product. No statements concerning a certain condition or suitability for a certain application can be derived from our information. The information given does not release the user from the obligation of own judgement and verification. It must be remembered that the products are subject to a natural process of wear and aging.

The Emerson logo is a trademark and service mark of Emerson Electric Co. Brand logotype are registered trademarks of one of the Emerson family of companies. All other marks are the property of their respective owners. © 2020 Emerson Electric Co. All rights reserved.
2020-12



CONSIDER IT SOLVED™