



IE SERIES

The IE Series offers high-frequency noise filter capabilities with surge protection for loads up to 20 Amps of continuous current. This product is a DIN or flange mounted SPD/ATF that helps to protect industrial critical loads.



APPLICATIONS

- Industrial applications
- Microprocessor-based products (PLCs, OEM and motion control system applications)

FEATURES

- Multi-staged design, combining a unique hybrid clamping network with SolaHD Tracking technology
- Surge current capacity – 45,000 Amps
- DIN rail mountable; rotates 90° for increased flexibility
- Transient protection in all modes (L-N, L-G, N-G)
- LED status indication and form C contact for remote indication
- UL 1449, 1283, CUL recognized
- Five year limited warranty

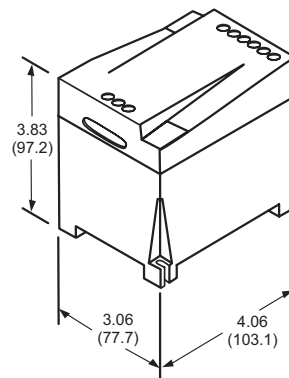
CERTIFICATIONS AND COMPLIANCES

-  Listed
 - UL 1283 CSA C22.2 No. 269.5
 - UL 1449 CSA 22.2 No. 269
-  Recognized

SELECTION TABLE

Catalog Number	Continuous Current	Input Voltage	
IE103	3 Amps	120 V	Single Phase, 0-150 Vrms
IE105	5 Amps		
IE110	10 Amps		
IE120	20 Amps		
IE203	3 Amps	240 V	Single Phase, 0-260 Vrms
IE205	5 Amps		
IE210	10 Amps		
IE220	20 Amps		

DIMENSIONAL DRAWING - IN. (MM)



SOLAHD

For product information:
www.solahd.com
 1.800.377.4384



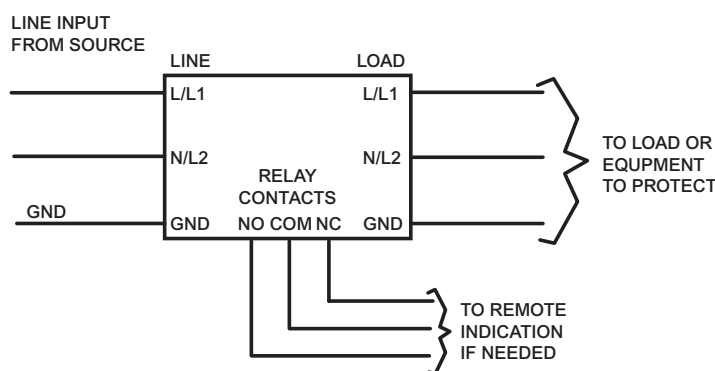
CONSIDER IT SOLVED™

SPECIFICATIONS

Description	Catalog Number	
	IE1XX	IE2XX
Input Voltage	120 Vac, Single Phase 0–150 Vrms	240 Vac, Single Phase 0-260 Vrms
Line Frequency	47–63 Hz	
Response Time	< 0.5 nanoseconds normal mode; < 5 nanoseconds common mode	
Enclosure	Polycarbonate housing	
Connection/Mounting Type	DIN rail or Panel mount	
Status Indication	Green LED “OK”, Form C contact, 5 Amps @ 125 Vac or 5 Amps @ 100 Vdc	
Weight - lbs (kg)	1.7 (0.7)	
Dimensions H x W x D - in (mm)	4.88 x 2.56 x 4.56 (124 x 65 x 116)	
Operating Temperature	-40 °C to +50 °C (-40 °F to +122 °F) at full load; derate linearly to 60% at +70 °C	
Operating Humidity	0% to 95% Non-condensing	
	Peak Surge Current Capability	
Per Phase	19,500 Amps	
Line to Neutral	13,000 Amps	
Line to Ground	6,500 Amps	
Neutral to Ground	6,500 Amps	
Load Surge Current Rating	10 milliseconds	5 x Nominal
	1 second	3 x Nominal
	10 seconds	2 x Nominal
Nominal Discharge Current Rating	3 kA	
Short Circuit Current Rating (SCCR)	5 kA	
Maximum Continuous Operating Voltage (MCOV)	150 Vrms (L-N, L-G, N-G)	320 Vrms (L-L)
	Frequent Response	
Normal Mode	100 kHz to 50 MHz	-90 dB Max
Common Mode	5 kHz to 50 MHz	-60 dB Max
Transient Reduction (IEEE C62.41)*	Typical Category A Ringwave (6 kV, 200 A, 100 kHz) < 60 V peak	
	Typical Category B Ringwave (6 kV, 500 A, 100 kHz) < 100 V peak	
Warranty	5 year limited warranty	

*All Voltage configurations are single phase, 2 wire + ground.

WIRING DIAGRAM



SOLAHD

United States: 1.800.377.4384 | Asia/Pacific: + 65.6891.7600 | Australia: + 61.3.9721.0387
 Brazil: São Paulo/SP + 55.11.2122.5777 | Brazil: Camaçari/BA + 55.71.3496.4427 | Canada: + 1.888.765.2226
 China: + 86.21.3418.3888 | Europe: + 33.3.2254.1390 | Mexico/Latin America: + 52.55.5809.5049
 Middle East/Africa/India: + 971.4.811.8100
www.solahd.com

EMERSON