



YARWAY B318 AND B320 BIMETALLIC STEAM TRAPS INSTALLATION AND MAINTENANCE INSTRUCTIONS

Before installation, these instructions must be carefully read and understood

GENERAL

These instructions must be carefully read before any work involving Yarway products is undertaken.

The installation procedure is a critical stage in the life of a steam trap and care should be taken to avoid damage to the trap or equipment.

WARNING

At startup, the presence of small particles in the water (dirt, scale, weld splatters, etc.) may cause an unperfected closure of the seat. If this occurs, clean the equipment accordingly.

Do not touch the equipment without appropriate protection during operation because it may conduct heat if the used fluid is at high temperature.

Before starting maintenance, be sure that the equipment is not pressurized or hot.

The equipment must be used within their pressure and temperature limits, otherwise they may fail (refer to nameplate or documentation).

Do not remove the nameplate attached to the equipment. Serial number and other useful information is stamped on it.

YARWAY B318 AND B320 BIMETALLIC STEAM TRAPS

INSTALLATION AND MAINTENANCE INSTRUCTIONS

INSTALLATION

ATTENTION

Before installation, remove plastic covers placed on flanges or connection ends. The equipment has an arrow or Inlet/Outlet designations. Be sure that it is installed in the appropriate direction.

Install the steam trap at the point of the system, where the condensate tends to collect. A strainer can be installed upstream of the trap as additional protection.

MAINTENANCE

We recommend that the steam traps are serviced as necessary. Steam traps should be checked periodically (at least yearly), to verify that they are operating correctly and to clean the internal parts and strainer screen.

When reassembling, make sure that all gasket faces are clean and always use a new gasket. Tighten cover bolts uniformly in a diagonal sequence.

For additional information, refer to the B318 and B320 Bulletins or consult our Sales Office.

CE MARKING

This product has been designed for use on steam and water which are in Group 2 of the European PED-Pressure Equipment Directive and it complies with those requirements.

The product falls within category SEP and must not be CE marked.

PRODUCT RETURNS

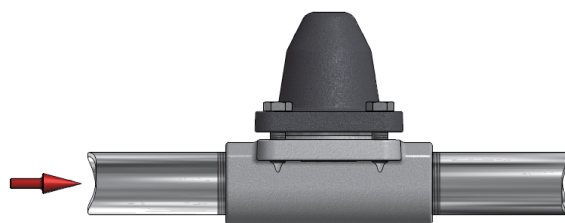
ATTENTION

Information regarding any hazards and precautions to be considered because of contaminating fluids and residues or mechanical damage that may represent a health, safety or environmental risk, must be provided in writing when returning products to engineering.

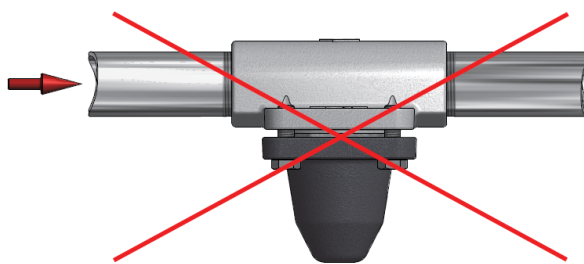
Health and safety data sheets regarding substances identified as hazardous or potentially hazardous must be provided with the information mentioned above.

ATTENTION

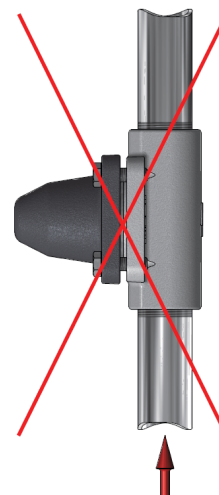
LOSS OF WARRANTY: Total or partial disregard of above instructions involves loss of any right to warranty.



RECOMMENDED INSTALLATION



WRONG INSTALLATION



BODY LIMITING CONDITIONS - B318

Flanged PN 100*		Flanged PN600**		Related Temperature	
Allowable Pressure		Allowable Pressure		°F	°C
psi	bar	psi	bar		
1450	100	1344	92.7	482	250
1416	97.6	1166	80.4	662	350
1276	88	982	67.7	842	450
931	64.2	808	55.7	932	500

* According to EN1092-1:2007

**According to EN1759-1:2004

Operating Pressure: 363 to 1233 psi (25 to 85 bar)

Body limiting conditions PN 100 or below, depending on the type of connection adopted. Rating PN 100 for thread, SW and BW.

BODY LIMITING CONDITIONS - B320

Flanged PN 160*		Flanged ANSI 900**		Related Temperature	
Allowable Pressure		Allowable Pressure		°F	°C
psi	bar	psi	bar		
2321	160	1865	128.6	572	300
2264	156.1	1751	120.7	662	350
2044	140.9	1471	101.4	842	450
1491	102.8	808	83.4	932	550
1065	73.4	941	64.9	977	525

* According to EN1092-1:2007

**According to EN1759-1:2004

Maximum Operating Pressure: 1595 psi (110 bar)

Body limiting conditions PN 160 or below, depending on the type of connection adopted. Rating PN 160 for thread, SW and BW.

YARWAY B318 AND B320 BIMETALLIC STEAM TRAPS

INSTALLATION AND MAINTENANCE INSTRUCTIONS

PARTS LIST AND TORQUE VALUES

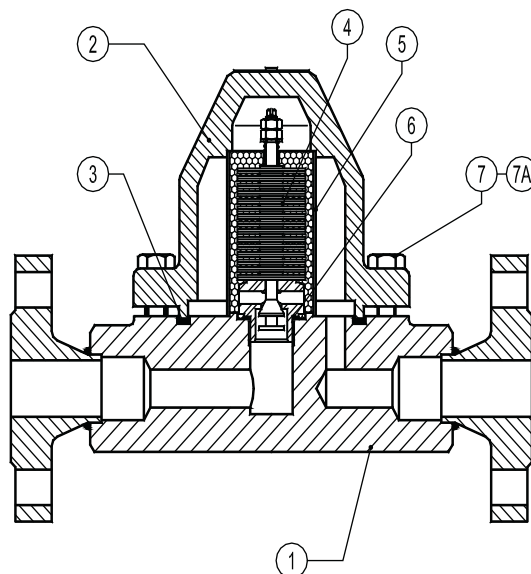
PARTS LIST FOR B318

Designation	Trap Size	Key Number	Quantity
Valve Regulator & Gasket	½" (DN 15) - 1" (DN 25)	3, 4	1 set
Strainer Screen & Gasket	½" (DN 15) - 1" (DN 25)	5, 6	1 set
Cover Gasket	½" (DN 15) - 1" (DN 25)	3	1 set

RECOMMENDED TIGHTENING TORQUES

Key Number	Trap Size	N•m
7	½" (DN 15) - 1" (DN 25)	160

Remarks: Tighten cover bolts uniformly.



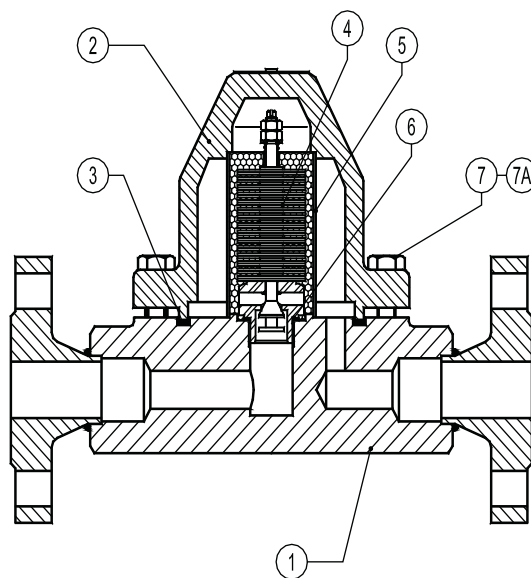
PARTS LIST FOR B320

Designation	Trap Size	Key Number	Quantity
Valve Regulator & Gasket	½" (DN 15) - 1" (DN 25)	3, 4	1 set
Strainer Screen & Gasket	½" (DN 15) - 1" (DN 25)	5, 6	1 set
Cover Gasket	½" (DN 15) - 1" (DN 25)	3	1 set

RECOMMENDED TIGHTENING TORQUES

Key Number	Trap Size	N•m
7	DN 15 - 25 (½" - 1")	160

Remarks: Tighten cover bolts uniformly.



YARWAY B318 AND B320 BIMETALLIC STEAM TRAPS

INSTALLATION AND MAINTENANCE INSTRUCTIONS

NOTE

Any malfunction of this product must be reported to the service department. Repair made to the product by unauthorized personnel will void the warranty.

RIGHT TO KNOW LAWS AND OSHA STANDARD 29CFR (1910.1200)

Material Safety Data Sheets on the following Yarway products:

Valves, Steam Traps and Strainers

The OSHA Hazard Communication Standard 29CFR 1910.1200, states that the standard does not apply to "articles." The standard defines an article as:

"A manufactured item formed to a specific shape or design for a particular use which does not release or otherwise expose an employee to a hazardous chemical under normal conditions of use."

The above named products fall within the definition of an "article"; no Material Safety Data Sheets are available or required. Our product is manufactured as an "end product."

If the product is a weld end, the following applies.

WARNING

Materials used in manufacture of Yarway products are considered in a stable condition when shipped. However, under certain conditions, purchasers could create potential hazardous conditions by their future operations.

CAUTION

Welding, cutting, burning, machining or grinding of this product can generate toxic dust and fumes of potentially hazardous ingredients. The dust or fumes can cause irritation of the respiratory tract, nose, throat, skin and eyes. It may cause temporary or permanent respiratory disease in a small percentage of exposed individuals. Use moderate ventilation when grinding or welding. Avoid breathing dust, fumes or mist. Avoid prolonged skin contact with dust or mist. Maintain dust levels below OSHA and ACGIH levels. Use protective devices. Wash hands thoroughly after contact with dust before eating or smoking.

VCIOM-10114-EN © 2019, 2022 Emerson Electric Co. All rights reserved 08/22. Yarway is a mark owned by one of the companies in the Emerson Automation Solutions business unit of Emerson Electric Co. The Emerson logo is a trademark and service mark of Emerson Electric Co. All other marks are the property of their prospective owners.

The contents of this publication are presented for informational purposes only, and while every effort has been made to ensure their accuracy, they are not to be construed as warranties or guarantees, express or implied, regarding the products or services described herein or their use or applicability. All sales are governed by our terms and conditions, which are available upon request. We reserve the right to modify or improve the designs or specifications of such products at any time without notice.

Emerson Electric Co. does not assume responsibility for the selection, use or maintenance of any product. Responsibility for proper selection, use and maintenance of any Emerson Electric Co. product remains solely with the purchaser.

Emerson.com