

Rosemount™ 936

Open Path Toxic Gas Detectors



Legal notice

The Rosemount system described in this document is the property of Emerson.

No part of the hardware, software, or documentation may be reproduced, transmitted, transcribed, stored in a retrieval system, or translated into any language or computer language in any form or by any means without prior written permission of Emerson.

While great efforts have been made to ensure the accuracy and clarity of this document, Emerson assumes no responsibility resulting from any omissions in this document or from misuse of the information obtained herein. The information in this document has been carefully checked and is believed to be entirely reliable with all the necessary information included. Emerson does not assume any liability arising out of the application or any use of any product or circuit described herein; neither does it convey license under its patent rights or the rights of others.

⚠ WARNING

Physical access

Unauthorized personnel may potentially cause significant damage to and/or misconfiguration of end users' equipment. This could be intentional or unintentional and needs to be protected against.

Physical security is an important part of any security program and fundamental to protecting your system. Restrict physical access by unauthorized personnel to protect end users' assets. This is true for all systems used within the facility.

Safety information

⚠ WARNING

If the product is not used and maintained in accordance with the manufacturer's instructions, the product may not perform as intended.

All individuals who have or will have responsibility for using, maintaining, or servicing this product must read this manual thoroughly.

Contents

Chapter 1	About this guide.....	5
	1.1 Glossary and abbreviations.....	5
	1.2 Notifications.....	6
Chapter 2	Product overview.....	7
Chapter 3	Technical description.....	9
	3.1 Features.....	9
	3.2 Applications.....	9
	3.3 Principles of operation.....	9
	3.4 Product Certification.....	12
	3.5 Model and types.....	13
	3.6 Description.....	14
Chapter 4	Operating modes.....	17
	4.1 Operational modes.....	17
	4.2 Visual indicators.....	18
	4.3 Output signals.....	18
	4.4 System setup.....	19
Chapter 5	Technical specifications.....	21
	5.1 General specifications.....	21
	5.2 Electrical specifications.....	22
	5.3 Electrical outputs.....	22
	5.4 Mechanical specifications.....	23
	5.5 Environmental specifications.....	23
Chapter 6	Installation instructions.....	25
	6.1 Introduction.....	25
	6.2 General considerations.....	25
	6.3 Preparations for installation.....	27
	6.4 Certification instructions.....	28
	6.5 Conduit/cable installation.....	32
	6.6 Receiver/transmitter mounting.....	32
	6.7 Receiver wiring.....	33
	6.8 Receiver terminal wiring.....	36
	6.9 Transmitter wiring.....	37
Chapter 7	Operating instructions.....	39
	7.1 Safety operation.....	39
	7.2 Alignment of unit.....	39
	7.3 Powering up the system.....	40
	7.4 Safety precautions.....	40
	7.5 Signal verification.....	41
	7.6 Zero calibration.....	41
	7.7 Functional check.....	42

Chapter 8	Maintenance instructions.....	43
	8.1 General maintenance.....	43
	8.2 Periodic maintenance.....	43
Chapter 9	Troubleshooting.....	45
Chapter 10	Declaration of Conformity.....	47
Appendix A	Ordering information.....	49
	A.1 Online product configurator.....	49
	A.2 Model codes.....	49
	A.3 Specifications and options.....	49
	A.4 Source (Transmitter).....	49
	A.5 Detector (Receiver).....	50
Appendix B	Wiring configurations.....	53
	B.1 RS-485 communication network.....	54
Appendix C	Accessories.....	57
	C.1 Tilt mount.....	57
	C.2 Pole mount (U-Bolt 2-3-in.).....	57
	C.3 Pole mount (U-Bolt 4-5-in.).....	57
	C.4 Wall mount.....	57
	C.5 Commissioning kit.....	57
	C.6 HART handled diagnostic unit.....	57
	C.7 Universal RS-485 and HART IS harness kit.....	57
	C.8 USB/RS-485 harness converter kit.....	58
	C.9 Protective cover.....	58
Appendix D	SIL-2 features.....	59
	D.1 Safety relevant parameters.....	59
	D.2 General conditions for safe use.....	59
Appendix E	Configuring the short range model.....	61

1 About this guide

This guide describes the Rosemount 936 Gas Detector and its features and provides instructions how to install, operate, and maintain the receiver.

Note

This user guide should be carefully read by all individuals who have or will have responsibility for using, maintaining or servicing the product.

This guide includes the following chapters and appendices:

- [About this guide](#) - details the layout of the guide, includes the release history, a glossary, and abbreviations, and explains how notifications are used in the guide.
- [Product overview](#) - provides a general introduction and overview of the product and the guide, with a brief description of its content.
- [Technical description](#) - describes the receiver's theory of operation.
- [Operating modes](#) - describes the receiver's operation modes, user interface, and indications.
- [Technical specifications](#) - describes the receiver's electrical, mechanical, and environmental specifications.
- [Installation instructions](#) - describes how to install the receiver, including wiring, and mode settings.
- [Operating instructions](#) - describes the operating instructions and power-up procedures.
- [Maintenance instructions](#) - describes the maintenance and support procedures.
- [Troubleshooting](#) - describes the solutions to problems that may arise with the receiver.
- [Wiring configurations](#) - provides wiring diagrams for installation.
- [Accessories](#) - provides a list of accessories available for the Rosemount 936 Gas Detector lists accessories for the receiver.
- [SIL-2 features](#) - details the special conditions for compliance with SIL-2 requirements.

1.1 Glossary and abbreviations

Abbreviation/term	Meaning
Analog video	Video values are represented by a scaled signal
ATEX	Atmosphere Explosives
AWG	American Wire Gauge
BIT	Built-In-Test
CMOS	Complementary Metal-Oxide Semiconductor image sensor
Digital video	Each component is represented by a number representing a discrete quantization
DSP	Digital Signal Processing
EMC	Electromagnetic Compatibility
EMI	Electromagnetic Interference
EOL	End of Line

FOV	Field of View
HART	Highway Addressable Remote Transducer – communications protocol
IAD	Immune at Any Distance
IECEX	International Electro-Technical Commission Explosion
IP	Internet Protocol
IPA	Isopropyl Alcohol
IR	Infrared
JP5	Jet Fuel
LED	Light Emitting Diode
MODBUS®	Serial communications protocol using Master-Slave messaging
N/A	Not Applicable
N.C.	Normally Closed
NFPA	National Fire Protection Association
N.O.	Normally Open
NPT	National Pipe Thread
PAL	Phase Alternation by Line (a color encoding system)
P/N	Part Number
RFI	Radio Frequency Interference
RTSP	Real Time Streaming Protocol
SIL	Safety Integrity Level
UNC	Unified Coarse Thread
VAC	Volts Alternating Current

1.2 Notifications

This section explains and exemplifies the usage of warnings, cautions, and notes throughout this guide:

⚠ WARNING

This indicates a potentially hazardous situation that could result in serious injury and/or major damage to the equipment.

⚠ CAUTION

This indicates a situation that could result in minor injury and/or damage to the equipment.

Note

This provides supplementary information, emphasizes a point or procedure, or gives a tip to facilitate operation.

2 Product overview

The Rosemount 936 Gas Detector employs an advanced Xenon UV Transmitter and integrated electronics package, both of which are encased in improved stainless steel housings, which provide high quality and performance, fast response, and line-of-sight gas monitoring. The transmitter/receiver is backed by a three year warranty.

The detector is manufactured only from stainless steel, with a heated optical window to improve performance in ice, snow, and condensation conditions. The programmable functions are available through a RS-485 or HART® port used with host software supplied by a standard PC or IS handheld unit.

The source and detector unit enclosures are ATEX and IECEx approved. They are Exd flameproof with an integral segregated rear, and an Exe terminal compartment, which avoids exposure of the sensors and electronics to the surrounding environment. The receiver also has a plug interface for connection to a handheld PC or HART unit, which meets intrinsically safe standards.

This manual provides a full description of the system and its features. It includes instructions on the installation, operation, and maintenance of the receiver.

- To use the WinHost software to change the required functions, and for a description of its maintenance, please refer to Manual TM899050 for instructions.
- To use the HART Protocol to change the required functions, and for a description of its maintenance, please refer to Manual TM899030. To set functions, the HART can be connected on the 0–20 mA line or through the IS port.

The Rosemount 936 detects and monitors toxic gases, such as H₂S, NH₃ and SO₂, ppm.m concentrations in the air. The detector has a response detection time of under 3 seconds.

The open path system uses an open path beam of flashlight pulses that provides a long line of sight coverage equivalent to a large number of point receivers along the path. The transmitted beam covers a UV spectrum from 200–300 nm. The detector constantly monitors for the gas through the collimated beam, over an optical path from 17 ft. / 5 m and up to 200 ft. / 60 m.

⚠ WARNING

The transmitter and receiver are not field-repairable due to the meticulous alignment and calibration of the sensors and the respective circuits. Do not attempt to modify or repair the internal circuits or change their settings, as this will impair the system's performance and void the Rosemount Product warranty.

3 Technical description

3.1 Features

- Long range gas detection from 17 ft. (5 m) up to 200 ft. (60 m)
- Detection of toxic gases (H₂S, NH₃, and SO₂)
- Accurate and reliable high-speed response in under 3 seconds
- Uses ultraviolet technology
- High false alarm immunity
- Solar blind and immune to industrial environments
- Strengthened reliability and durability with a massive three-year warranty
- Easy installation and maintenance
- Heated window for operation in harsh weather conditions (snow, ice, or condensation)
- Detection of a cloud of gas at very low concentrations, up to 95 percent obscuration
- User programmable via HART® or RS-485 Modbus®; compatible with modern user interface for ease of use
- Certified performance/hazardous area approved and performance approved
- Approved to Safety Integrity Level 2 (SIL2 - TÜV)
- High reliability - MTBF-minimum 100,000 hours

3.2 Applications

The Rosemount 936 Gas Detector system can be used to monitor toxic gas concentration in various applications, such as:

- Petrochemical, pharmaceutical, and other chemical storage and production areas
- Toxic chemical storage sites and hazardous waste disposal areas
- Detection of H₂S/SO₂ in desulfurization processes at refineries, oil platforms, pipelines, refueling stations, and fuel storage facilities
- Transportation depots and shipping warehouses of solvents, degreasing and cleaning solvents
- Styrene monomer, polymers, and plastic industries
- NH₃ production facilities, storage, and transportation
- Air conditioning, refrigeration, and agriculture application areas for NH₃ and derivatives
- Semiconductor industry, in which NH₃ concentration monitoring is required

3.3 Principles of operation

The detector system detects gases through dual-spectral range monitoring, analyzing the absorption of radiation caused by gases in the atmosphere, and comparing the ratio to background atmospheric absorption.

3.3.1 Definitions of terms

The following list defines gas concentration measurement terms that are used in this manual:

- **TLV-TWA:** The time average concentration for a normal 8-hour workday (40-hour work-week) to which all workers may be repeatedly exposed, day after day, without adverse effects.
- **ppm:** Concentration in parts per million. Defines the amount of gas molecule parts per million molecules of common atmosphere gases.
- **ppm.m:** Integral of concentration in ppm multiplied by the distance in meters.

3.3.2 Spectral fingerprint

Each hazardous material is detected at a specific wavelength selected according to its specific spectral absorption or “fingerprint.” The detection process involves two separate filters: one transmitting radiation that is absorbed by a particular gas, and one that is not sensitive to it.

3.3.3 Optical path

The presence of toxic airborne vapors, gases, or aerosols in a monitored area is detected when the defined substance crosses/enters the optical path between the radiation transmitter unit and the receiver.

Toxic gases/vapors present in the atmosphere cause absorption of the radiation pulse at specific wavelengths in the optical path between the radiating transmitter and the receiver unit. This causes a change in the signal intensity received by the receiver, which is translated into an output related to the receiver's measuring scale.

The system analyzes the defined open path at the spectral bands specific to the materials being monitored. The Automatic Gain Control (AGC) unit compensates for environmental disturbances such as fog and rain through a constant comparison with its dual spectral beam.

3.3.4 Detected gases

The following toxic gases and vapors are detected by the detector models according to their unique spectral absorption in the UV solar blind range:

- **Ammonia (NH₃):** A flammable and toxic gas that is highly irritant, colorless, and with a pungent odor.
The early detection of NH₃ is essential in order to prevent its toxic effects, such as respiratory tract paralysis. In the UV band, NH₃ gas has a typically strong absorption in the solar blind range of 189–210 nm that enables its fast and reliable detection at low concentrations.
- **Hydrogen Sulfide (H₂S):** A flammable, poisonous gas with a characteristic smell of rotten eggs.
H₂S is heavier than air and very dangerous to humans, causing collapse, coma, or death from respiratory failure within a few seconds of inhalation.
In the UV band, H₂S has a characteristically strong absorption in the solar blind range of 189–270 nm, which enables its fast and reliable detection at low concentrations.
- **Sulphur dioxide (SO₂):** A colorless gas with a strong odor which is produced when a material, or fuel, containing sulphur is burned.

Short-term exposure to high levels of sulphur dioxide may cause coughing, tightening of the chest and narrowing of the airways.

In the UV band, SO₂ gas has a typically strong absorption in the solar blind range of 200–240 nm that enables its fast and reliable detection at low concentrations.

3.3.5 UV source

The Xenon UV Source was introduced in the initial detector development, and was designed to overcome false alarms, which were experienced by early generations of the open path system. The new Rosemount 936 detector employs the latest generation of UV bulbs to provide even more power, and an extended operation life.

3.3.6 Heated optics

The Rosemount 936 includes heated optics for the transmitter and receiver. To improve performance in conditions where there is ice, condensation, or snow, the heater increases the temperature of the optical surface by 5 to 8 °F / 3 to 5 °C above the ambient temperature. The heated optics are configured to automatically operate when the change in temperature requires heating (default).

However, the heated optics can be defined as one of the following modes:

- Not operated (not an option on the transmitter unit)
- On continuously
- Automatic, per temperature change (default)

See [System setup](#).

When operated “per temperature change,” the user can define the start temperature below which the window will be heated (default is 41 °F/5 °C). This temperature can be defined from 32 °F/0 °C to 122 °F/50 °C. Heating stops when the temperature is 27 °F/15 °C above the start temperature.

3.3.7 HART® protocol

The Rosemount 936 uses the HART Protocol.

HART Communication is a bi-directional industrial field communication protocol used to communicate between intelligent field instruments and host systems. HART is the global standard for smart instrumentation, and the majority of smart field devices installed in plants worldwide are HART-enabled.

HART technology is easy to use and very reliable.

Through the HART connection, the detector is able to perform:

- Receiver setup
- Receiver troubleshooting
- Receiver health and status

For more details, refer to the HART Manual TM899030.

HART communication can be connected on the 0–20 mA line, or through the IS connection, with a standard handheld unit loaded with the host software and attached by a special harness.

3.3.8 Modbus® RS-485

For more advanced communications, the Rosemount 936 has a RS-485 Modbus-compatible output that provides data communication from a network (up to 247 detectors) to a host computer or universal controller for central monitoring. This feature enables easy maintenance, with local and remote diagnostic tools.

3.3.9 Tilt mount

The newly designed stainless steel tilt mount provides a smaller installation footprint that can conform to limited space constraints, while the sturdy construction maintains alignment even with constant vibration. The improved X and Y axis worm-gear adjustments provide quick and easy alignment for installation and maintenance procedures.

3.4 Product Certification

The Rosemount 936 Series is approved by the following certifications:

3.4.1 ATEX, IECEx

The Rosemount 936 is approved per ATEX and IECEx certifications:

- ATEX Ex II 2(2)G D
Ex db eb ib [ib Gb] IIB+H₂ T4 Gb
Ex tb [ib Db] IIIC T135 °C Db
- T_{Ambient} -55 °C to +65 °C

This product is suitable for use in hazardous zones 1 and 2 with IIB+H₂ group vapors present, and zones 21 and 22 with IIIC combustible dust types.

3.4.2 UKCA

The Rosemount 936 is approved per CSAE 21UKEX1174X:

- Ex II 2(2)G D
Ex db eb ib [ib Gb] IIB+H₂ T4 Gb
Ex tb [ib Db] IIIC T135 °C Db
- T_{Ambient} -55 °C to +65 °C

3.4.3 SIL-2

The Rosemount 936 is TUV approved for SIL-2 requirements per IEC 61508.

According to SIL-2 requirements, the alert condition can be implemented by an alert signal via the 0–20 mA current loop.

3.4.4 TR CU (EAC) - pending

1Ex d e ib [ib Gb] IIB + H₂ T4 Gb X
Ex tb [ib Db] IIIC T135 °C Db X

3.4.5 Inmetro (UL)

The product complies with Inmetro approval per the following standards:

ABNT NBR IEC 60079-0

ABNT NBR IEC 60079-1

ABNT NBR IEC 60079-7

ABNT NBR IEC 60079-11

ABNT NBR IEC 60079-28

ABNT NBR IEC 60079-31

Marking:

Ex db eb ib [ib Gb] IIB+H2 T4 Gb

Ex tb [ib Db] IIIC T135 °C Db

(-55 °C ≤ T_a ≤ +65 °C)

Certificate number UL-BR 19.0276X (Rosemount) and UL-BR 22.4059X (Spectronix).

3.4.6 CSA C/US

The Rosemount 936 is approved per CSA C/US for hazardous and ordinary locations:

Canada

Ex db eb ib [ib Gb] IIB+H₂ T4 Gb

Ex tb [ib Db] IIIC T135 °C Db

T_a = -55 °C to +65 °C

USA

Class I Zone 1 AEx db eb ib [ib Gb] IIB+H₂ T4 Gb

Zone 21 AEx tb [ib Db] IIIC T135 °C Db

T_a = -55 °C to +65 °C



The Rosemount 936 is a "Class 1 Laser Product" per IEC 60825-1: 2014 ed. 05.

3.4.7 Performance approvals

ANSI/ISA-92.00.04-2014

UL 920004: 2014

3.5 Model and types

The Rosemount 936 is available as three transmitter models, determining the detection distance, with two possible detectors, detecting H₂S/SO₂ or ammonia. This allows for detection at distances from 17 to 200 ft. (5 to 60 m).

The various options are listed in [Table 3-1](#).

Table 3-1: Rosemount 936 source (transmitter) installation distances

Range	Source (transmitter) option code	Minimum installation distance (ft./m)	Maximum installation distance (ft./m)
Short	T1	17/5	52/16
Mid	T2	46/14	132/40
Long	T3	115/35	200/60

Related information

[Configuring the short range model](#)

3.6 Description

The detector system consists of two main units:

- UV source (transmitter)
- Infrared detector (receiver)

The Rosemount 936 detects gases over an open path transmitted from the UV transmitter to the receiver.

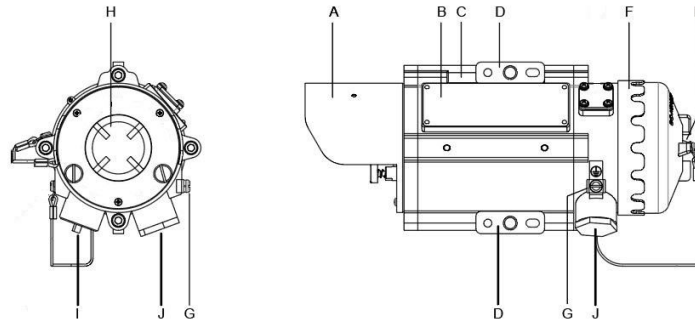
3.6.1 UV transmitter unit

The UV transmitter unit emits UV radiation pulses at the rate of 1 pulse per second. The pulse width (5–10µsec) is very powerful. The front of the Rosemount 936 Transmitter has an internal reflector that collimates the UV beam for maximum intensity. The front window is heated to improve performance in ice, condensation, and snow conditions.

There are three transmitter types:

For short range	936 - T1
For medium range	936 - T2
For long range	936 - T3

Figure 3-1: UV transmitter



- A. Front window section
- B. Label
- C. Main housing
- D. Mounting plate
- E. Indicator LED
- F. Back cover
- G. Earth terminal
- H. Front window
- I. Inlet conduit
- J. Inlet conduit

The transmitters for models T1, T2, and T3 are the same electronically and optically. The only distinction between them is that each receiver apparatus is suitable for a different distance.

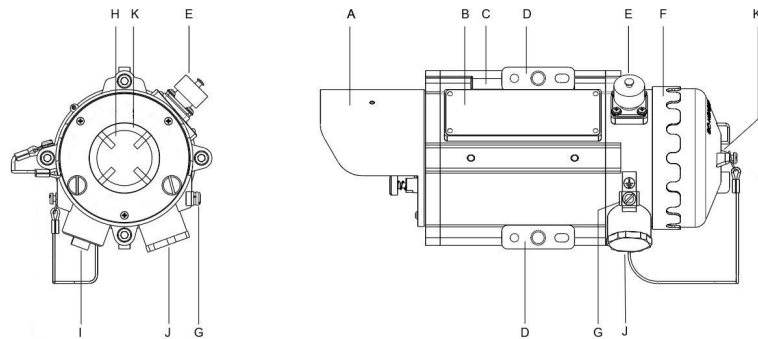
3.6.2 Receiver unit

The receiver receives the transmitted pulsed radiation signals from the UV transmitter. The signals are then amplified and fed into an analog-to-digital signal converter to be processed by the internal microprocessor. When the signals drop below a prescribed level, the internal microprocessor compensates for them. This allows the signals to be maintained even in severe weather conditions. The data is sent to the output interface section.

The front window of the receiver is heated to improve performance in ice, condensation, and snow conditions.

There is one detector type that is suitable for the H₂S / SO₂ version and one for the NH₃ version.

Figure 3-2: Detector



- A. Front window section
- B. Label
- C. Main housing
- D. Mounting plate
- E. Intrinsically safe connector (RS-485/HART®)
- F. Back cover
- G. Earth terminal
- H. Front window
- I. Inlet conduit
- J. Inlet conduit
- K. Indicator LED

4 Operating modes

4.1 Operational modes

The has four operational modes:

- Normal mode
- Maintenance call mode (3 mA output)
- Fault mode
- Zero calibration mode (1 mA output)

4.1.1 Normal mode

This mode is used for gas detection. In Normal mode, the following statuses are possible:

- Normal (N) - Gases have been detected at safe levels.
- Warning (W) - Gases have been detected at warning levels.
- Alarm (A) - Gases have been detected at alarm levels.

Note

The user chooses these alarm levels at the controller. The receiver output is 4 mA at zero reading and 20 mA for full-scale reading. Warning and alarm states can be seen through the LED, RS-485, and HART®. If the RS-485 output is used, the receiver changes its status from “N” to “W” at warning level, and to “A” at alarm level.

If the RS-485 output is used, the receiver changes its status from “N” to “W” at warning level, and to “A” at alarm level.

4.1.2 Maintenance call mode (3 mA output)

This mode indicates a low signal or low signal ratio that may be caused by a dirty window, misalignment, weak transmitter signal, or that one of the receiver’s parameters is at the “limit” value.

The receiver continues to operate, reading any gas present, but provides a (3 mA) pre-warning signal that a maintenance procedure is required.

4.1.3 Fault mode

In fault mode, there are three fault types:

- **Fault 1 (2 mA output)**
This occurs due to a blockage, misalignment, low signal, partial obscuration, or full beam block. With a fault of this type, detection is no longer possible. Operation can be restored (auto reset) if the condition causing the problem is removed or resolved. There is a delay of 60 sec after the fault before switching to this mode. This delay is important to rule out a momentary obscuration due to passing through the beam.
- **Low voltage fault (1 mA output)**
Detection is disabled due to a low voltage supply. The receiver returns to proper operation when the correct voltage level is restored.
- **Fault 2 (1 mA output)**

Detection is disabled due to an electrical/software operational failure, or to a memory/processor fault. A fault of this type causes the receiver to cease operation.
If there is a fault in the 0–20 mA loop, the output is 0 mA.

4.1.4 Zero calibration mode (1 mA output)

This mode calibrates the base level, from which gas is detected, to zero.

It should only be performed when the following criteria are met:

- No combustible gases are present
- A clear path exists between the transmitter and receiver
- Clear weather conditions

Zero calibration must be performed after installation, re-alignment, window cleaning, or any change in Receiver or Transmitter position, using the handheld unit or host software on a PC.

Zero calibration can be done through HART® or RS-485.

4.2 Visual indicators

One three-color LED indicator is located in the back of the transmitter/receiver and can be seen through the back cover window. Refer to [Figure 3-1](#) (Item J) and [Figure 3-2](#) (Item K).

The receiver statuses are listed in [Table 4-1](#).

Table 4-1: Receiver LED indicators

Receiver status	LED color	LED mode
Fault	Amber	4 Hz - flashing
Alignment/standby	Amber	1 Hz - flashing
Zero calibration	Amber	Constant
Normal	Green	1 Hz - flashing
Warning	Red	2 Hz - flashing
Alarm	Red	Constant

The transmitter statuses are listed in [Table 4-2](#).

Table 4-2: Receiver LED indications

Receiver status	LED color	LED mode
Fault	Amber	4 Hz - flashing
Normal	Green	1 Hz - flashing

4.3 Output signals

The system provides the following outputs:

- 0–20 mA current output
- RS-485 interface

4.3.1 0-20 mA current output

The 0–20 mA output provides the receiver status measurement with a continuous reading of exact gas concentration.

The 0–20 mA output functions as current Sink, but it can be configured as Transmitter (see [Wiring configurations](#)).

The maximum permitted load resistance for the 0–20 mA output is 500 Ω.

Table 4-3: Standard (default) 0–20 mA current for the gas channel

Current reading	Status and description
0 mA +0.2 mA	Fault in 0–20 mA loop
1 mA ±0.2 mA	Zero calibration (in progress), Fault 2
2 mA ±0.2 mA	Fault 1
3 mA ±0.2 mA	Maintenance call
4 mA ±0.2 mA	No gas present
4–20 mA	Continuous measuring of gas concentration at a range between 0 and full scale. This translates to 3.2 mA per every 100 ppm.m
21 mA	Concentration is over the range limit (more than full-scale concentration)

4.3.2 RS-485 interface

The receiver has an RS-485 Modbus-compatible input/output that can send data communication to a PC loaded with the appropriate host software, and receive data or control commands from the PC.

4.4 System setup

4.4.1 Field configuration

The Rosemount 936 incorporates several functions that can be set by the customer, using:

- Host software: For additional settings and trouble shooting, use the software on the product web page.
- The HART handheld diagnostic unit provides an easy, economical connection to the quick plug. This unit provides verification, status, and instructions for correcting the receiver's parameters. It also includes a harness and a special host for maintenance and commissioning.

4.4.2 Receiver configuration

See [Receiver default setup](#) for default settings.

Setup includes the following options:

- Address setup
- Heated optics operation
- Range

Address setup

The receiver provides up to 247 addresses that can be used with the RS-485 communication link.

Heated optics operation

The heated optics for the receiver unit can be defined as one of the following modes:

- OFF – Heating is always OFF
- ON – Heating is always ON
- AUTO

If Auto is selected, the user can define the start temperature measured inside the device below which the window will be heated. If the selected start temperature is above the selected value, the heater will stay off. In Auto mode, the start temperature below which the window will be heated can be defined. Heating stops when the temperature is 27 °F/15 °C above the start temperature. The temperature can be defined between 32–122 °F/0–50 °C.

Range

Selection between short and mid/long range

4.4.3 Receiver default setup

The receiver has three functions that can be programmed according to customer requirements, either at the factory or at the customer facility, using a PC software host or a handheld unit. The standard setup is as follows:

Table 4-4: Receiver default setup

Function	Setup
0–20 mA	Continuous
Heat mode	Auto
Heat on	5

5 Technical specifications

5.1 General specifications

Detected gases: H₂S/SO₂, NH₃

Detection distance range: [Table 5-1](#)

Table 5-1: Detection distance range

Model number	Receiver	Transmitter	Minimum installation distance (ft./m)	Maximum installation distance (ft./m)
H ₂ S/SO ₂				
936	RT126XXXX	T1T00XXXX	17/5	52/16
936	RT126XXXX	T2T00XXXX	46/14	132/40
936	RT126XXXX	T3T00XXXX	115/35	200/60
NH ₃				
936	R1T127XXXX	T1T00XXXX	17/5	52/16
936	R1T127XXXX	T2T00XXXX	46/14	132/40
936	R1T127XXXX	T3T00XXXX	115/35	200/60

Response time: < 3 sec

Spectral response: 200–300 nm

Sensitivity range:	Full scale	Warning LEL.m	Alarm LEL.m
	ppm.m	ppm.m	ppm.m
	500	100	300

Field of view: Line of sight

Alignment tolerance: ± 1°

Drift: Long: term ± 5% of full scale

Minimum detectable gas volume: 50 ppm.m

Temperature range: -67 °F/-55 °C to +149 °F/+65 °C

Immunity to false alarm: Does not produce a false alarm and is not influenced by

- Solar radiation
- Hydrocarbon flames
- Other external IR or UV radiation sources
- Rain conditions or water spray

Per the requirements listed in the following performance standards:

- EN 60079-29-4

- Ansi/FM 60079-29-4
- FM6325

5.2 Electrical specifications

Operating Voltage: 18-32 VDC

5.2.1 Current consumption

Typical power consumption including heated optics

Receiver: 135 mA

Transmitter: 150 mA

5.2.2 Electrical input protection

The input circuit is protected against voltage-reversed polarity, voltage transients, surges, and spikes, according to EN50270.

5.3 Electrical outputs

5.3.1 0–20 mA current output

The 0–20 mA is an isolated Sink option. This output can also be configured as Transmitter (see [Wiring configurations](#)).

The maximum permitted load resistance is 600 Ω .

5.3.2 Communication network

The receiver is equipped with RS-485 communication that can be used in installations with computerized controllers.

Communication is compatible with the Modbus protocol:

- This protocol is standard and widely used.
- The protocol enables continuous communication between a single standard Modbus controller (master device) and a serial network of up to 247 receivers.
- The protocol enables connections between different types of Rosemount receivers or other Modbus devices to the same network.

5.3.3 HART[®] protocol

The HART protocol is a digital communication signal at low levels in addition to the 0–20 mA.

This bi-directional field communication protocol is used to communicate between intelligent field instruments and the host system.

5.4 Mechanical specifications

Enclosure:	The receiver, transmitter, and tilt mount are stainless steel 316 electrochemical and passivated coating.		
Explosion proof:	ATEX, IECEx, and UKCA Ex II 2(2) G D Ex db eb ib [ib Gb] IIB+H ₂ T4 Gb Ex tb [ib Gb] IIIC T135 °C Db		
Water and dust tight:	IP66 and IP68 IP68 is rated for 2-meter depth for 45 minutes NEMA 250 type 6p		
Electrical connection:	(2 options – specified at time of order) 2 X M25 (ISO) 2 X ¾-in. – 14 NPT conduits		
Dimensions:	Receiver	10.5 x 5.1 x 5.1-in.	267 x 130 x 130 mm
	Transmitter	10.5 x 5.1 x 5.1-in.	267 x 130 x 130 mm
	Tilt Mount	4.7 x 4.7 x 5.5-in.	120 x 120 x 40 mm
Weight:	Receiver	11 lb	5 kg
	Transmitter	11 lb	5 kg
	Tilt mount	4.2 lb	1.9 kg

5.5 Environmental specifications

The Rosemount 936 system is designed to withstand harsh environmental conditions. The transmitter and receiver units compensate for adverse conditions while maintaining accuracy.

5.5.1 High temperature

The system conforms to DNVGL-CG-0339, class D.

Operating temperature: +149 °F/+65 °C

Storage temperature: +149 °F/+65 °C

5.5.2 Low temperature

The system conforms to DNVGL-CG-0339, class D.

Operating temperature: –67 °F/–55 °C

Storage temperature: –67 °F/–55 °C

5.5.3 Humidity

The system conforms to DNVGL-CG-0339, class B.

5.5.4 Enclosure

The system conforms to DNVGL-CG-0339, class C.

5.5.5 Water and dust

- IP66 per EN60529
- IP68 per EN60529

Dust: Completely protected against dust.

Liquids: Protected against immersion between 15 cm and 1 m in depth. Protected against water jets from all directions.

5.5.6 Vibration

The system conforms to DNVGL-CG-0339, class B.

5.5.7 Electromagnetic Compatibility (EMC)

This product is in conformance with EMC per EN50270:

Radiated emission:	EN55022
Conducted emission:	EN55022
Radiated immunity:	EN61000-4-3
Conducted immunity:	EN61000-4-6
ESD:	EN61000-4-2
Burst:	EN61000-4-4
Surge:	EN61000-4-5
Magnetic field:	EN61000-4-8

To fully comply with EMC directive 2014/30/EU and protect against interference caused by RFI and EMI, the cable to the receiver must be shielded and the receiver must be grounded. The shield should be grounded at the receiver end.

6 Installation instructions

6.1 Introduction

The receiver and transmitter units can be installed and maintained using general-purpose common tools and equipment. The installation procedure must be performed by suitably qualified personnel.

This section does not attempt to cover all of the standard practices and codes of installation. Rather, it emphasizes specific points of consideration and provides some general rules for suitably qualified personnel. Special safety precautions are stressed wherever applicable.

6.2 General considerations

6.2.1 Personnel

Only suitably qualified personnel, familiar with the local codes and practices and trained for gas detection maintenance, should be employed. Wiring should only be performed or supervised by someone with knowledge of electronics and in particular wiring installation.

6.2.2 Required tools

The receiver can be installed using general-purpose common tools and equipment. [Table 6-1](#) lists the specific tools required to install the receiver.

Table 6-1: Tools

Tools	Function
Hex key 8 mm	Mount the receiver on the tilt mount
Hex key 3/16-in.	Align the receiver
Hex key 5/16-in.	Screw receiver plug
Flat screwdriver 4 mm	Connect the ground terminal
Flat screwdriver 2.5 mm	Connect wires to the terminal blocks

6.2.3 Site requirements

When selecting a site location and position for the system, the following points must be considered:

- Whether the gas being monitored is heavier or lighter than air
- The individual site requirements
- The receiver should have a direct view of the transmitter
- The mounting point for each item should be secure and stable with minimal vibrations
- Equipment should be either mounted in a position where it cannot be knocked out of alignment, or it is guarded from physical impact, above human height to avoid partial obscuration.

6.2.4 The transmitter and receiver

The suitable model of the transmitter should be selected according to the length of open path to be monitored. To allow for ageing of the transmitter and a reduction of the IR signal due to adverse weather, it is recommended to use a receiver that is not at the limit of its operating range. The general recommendation is to install the receiver at a distance from the transmitter of no more than 75% of the specified operating distance. In severe weather conditions such as offshore oil production and exploration, this should be reduced to 50%.

The open path between the transmitter and receiver and the immediate surroundings should be kept clear of obscuration that might hinder the free movement of air in the protected area, or block the infrared beam.

6.2.5 Tips for selecting a gas receiver location

The following are some tips for selecting gas receiver locations, in order to provide the best detection coverage:

- For heavier-than-air gases: below potential leak sources.
- For lighter-than-air gases: above potential leak sources.
- Along the expected leak trajectory: near leak sources, considering prevailing wind directions.
- In areas with expected heavy fog, rain, or snow, consider the effects of long-range installation and install the receiver at a shorter range with the maximum intensity model available.

6.2.6 Separation distances

To avoid cross talk between adjacent Open Path Gas Detector Systems where transmitters are installed on the same side, keep the relevant separation distance between the neighboring OPGD systems according to the installation lengths as listed in [Table 6-2](#).

Table 6-2: Separation distances

Installation line of sight distance, m (ft.)	Minimum separation, m (ft.)
10 (33)	1 (3.3)
20 (66)	1.5 (5)
30 (98)	2.5 (6.5)
40 (131)	3.5 (11.5)
50 (164)	4.5 (15)
60 (197)	5 (16.5)

6.2.7 Wiring

- For wiring, use color-coded conductors, suitable wire markings, or labels. The wire cross-section must be between 0.5–2.5 mm²/28–14 AWG.
- The selected wire gauge should be based on the number of receivers used on the same loop, and the distance from the control unit. The maximum number of wire connections in a terminal is 2 wire cross-sections, each of 1 mm².

- To fully comply with EMC directive and protect against interference caused by RFI and EMI, the cable to the receiver must be shielded and the receiver must be grounded.

6.3 Preparations for installation

6.3.1 General

Installation should comply with local, national, and international regulations and norms, as applicable to gas detection systems and approved electrical devices installed in hazardous areas. The gas detection systems can be installed with general-purpose common tools and equipment.

6.3.2 Equipment

In addition to this manual, the system should include the following:

- Receiver Unit - (See [Model and types](#))
- Transmitter Unit - (See [Model and types](#))
- 2 Tilt mount bases
 - 1 base is used for the receiver
 - 1 base is used for the transmitter
- 888257 Extended Commissioning Kit - includes methane, propane and ethylene check filters, a universal harness, alignment tool and allen keys. See [Accessories](#) for details.
- See [Accessories](#) for other accessories.
- Other accessories are available (per customer request):
 - Pole mount:
 - U-bolt 2-3-in.
 - U-bolt 4-5-in.
 - HART handheld diagnostic unit
 - HART handheld harness kit
 - USB/RS-485h harness converter kit
 - Protective cover

For additional details, see [Accessories](#).

6.3.3 Unpacking the product

Upon receipt of the gas detection system, check and record the following:

Procedure

1. Verify that the model matches the purchase order.
2. Record the part number (P/N) and serial number of the receivers and transmitter units, and the installation date in an appropriate logbook.
3. Open the container package immediately, prior to installation, and visually inspect the receivers, transmitters, and accessories.

4. Verify that all components required for the receiver installation are readily available before commencing the installation. In the event that the installation is not completed in a single session, secure and seal the receivers and conduits.

6.4 Certification instructions

6.4.1 General instructions

⚠ WARNING

Do not open the unit, even when isolated, when a flammable atmosphere is present.

Use the following certification instructions:

- The cable entry point may not exceed 182 °F/83 °C. Suitable precautions should be taken when selecting the cable.
- Only suitably certified cable entry devices or conduit shall be used for connections and unused openings shall be blanked off using a suitably certified stopping plugs.
- The marking of the equipment is:
Ex II 2(2)G D
Ex db eb ib [ib Gb] IIB+H₂ T4 Gb
Ex tb [ib Gb] IIIC T135 °C Db
- The equipment may be used with flammable gases and vapors with apparatus groups IIA and IIB +H₂ T4 in the ambient temperature range -67 °F/-55 °C to +149 °F/+65 °C.
- Installation should be carried out by suitably trained personnel, in accordance with the applicable code of practice, e.g. EN 60079-14:1997.
- Inspection and maintenance of this equipment should be carried out by suitably trained personnel in accordance with the applicable code of practice, e.g. EN 60079-17.
- Repair of this equipment should be carried out by suitably trained personnel, in accordance with the applicable code of practice, e.g. EN 60079-19.
- The certification of this equipment relies upon use of the following materials in its construction:
 - Enclosure: Stainless Steel 316
 - Window: Sapphire Glass
 - Seals: EPDM
- If the equipment is likely to come into contact with aggressive substances as described below, then it is the responsibility of the user to take suitable precautions to prevent the equipment from being adversely affected, thus ensuring that the type of protection provided by the equipment is not compromised.
 - Examples of suitable precautions: routine inspections, establishing resistance to specific chemicals from the material's data sheets.
 - Examples of aggressive substances: acidic liquids or gases that may attack metals, solvents that may affect polymeric materials.
- The output of the optical radiation source with respect to explosion protection meets Exception 3 from the scope of UL 60079-28.
- Special conditions for safe use: The Rosemount 936 Receiver and UV Transmitter Units should not be used as safety related devices, in accordance with directive 2014/34/EU.

6.4.2 Intrinsically safe outputs

Intrinsically safe outputs through the IS port have the following parameters:

Parameter	Channels						
	LED 1	LED 2	HART CON	RS 485+	RS 485-	5V	All combined
U _o	6.51 V	6.51 V	6.51 V	6.51 V	6.51 V	6.51 V	6.51 V
I _o	68.5 mA	68.5 mA	68.5 mA	68.5 mA	68.5 mA	68.5 mA	68.5 mA
P _o	111.5 mW	111.5 mW	111.5 mW	111.5 mW	111.5 mW	111.5 mW	111.5 mW
C _i	0 μF	0 μF	0 μF	0 μF	0 μF	0 μF	0 μF
L _i	0 μH	0 μH	0 μH	0 μH	0 μH	0 μH	0 μH
C _o	22 μF	22 μF	22 μF	22 μF	22 μF	22 μF	22 μF
L _o	7.5 mH	7.5 mH	7.5 mH	7.5 mH	7.5 mH	514 μH	96.9 μH

C_o @ 6.6 V is 22 μF, as per Table A.2 of IEC 60079-11:2011

L_o calculated based on 1.5 times current, for IIC, 40 μj using $E = 0.5 \cdot (LI)^2$

6.4.3 Special conditions for safe use

- The dimensions of the flameproof joints differ from the relevant minimum or maximum values required by of IEC/EN 60079-1:2007 for IIB + H₂, as detailed below:

Flamepath description	Type of joint	Minimum width "L" (mm)	Maximum gap "IC" (mm)
Cylindrical section of spigot (both ends of Ex d compartment)	Cylindrical	15	0.08
30 mm diameter window fitted against enclosure	Flanged	10.7	0.02
39.5 mm diameter window fitted against enclosure	Flanged	10	0.02

- Gaps, "l_c," should not be modified to be any larger, and widths, "L," should not be modified to be any shorter than the values shown in the table above.
- Connections to the IS port on the side of the receiver enclosure should be made using equipment that maintains the intrinsically safe levels of protection.
- The Um should be installed in accordance with one of the following:
 - The Um is 18–32 VDC, in a SELV/PELV system
 - Via a safety isolating transformer, complying with the requirements of IEC 61588-2-6 or technically equivalent standard
 - Directly connected to apparatus, complying with IEC 60950, IEC 61010-1, or technically equivalent standard
 - Fed directly from cells or batteries

6.4.4 North american conditions of acceptability from certificate CSA 80023016

Conditions for Canadian installations

- The dimensions of the flameproof joints are other than the relevant minimum or maximum values required by Table 3-1 of CAN/CSA-C22.2 No 60079-0:19 Ed.4 for IIB + H₂, as detailed below:

Flamepath description	Type of joint	Minimum width "L" (mm)	Maximum gap "I _c " (mm)
Cylindrical section of spigot (both ends of Ex d compartment)	Cylindrical	15	0.08
30 mm diameter window fitted against enclosure	Flanged	10.7	0.02
39.5 mm diameter window fitted against enclosure	Flanged	10	0.02

Gaps shall not be machined to be any larger than the values of 'IC', and widths shall not be modified to be any smaller than the values of 'L', shown in the table above.

- Connections to the IS port on the side of the receiver enclosure shall be made via equipment which maintains the intrinsically safe levels of protection.
 - Where Um marked on the associated apparatus is less than 250 V it shall be installed in accordance with one of the following:
 - Where Um does not exceed 50 Vac or 120 Vdc, in a SELV or PELV system or,
 - Via a safety isolating transformer complying with the requirements of CAN/CSA-C22.2 No. 66.1 or technically equivalent standard, or
 - Directly connected to apparatus complying with CAN/CSA-C22.2 No. 60950-1, CAN/CSA-C22.2 No. 61010-1 or technically equivalent standard, or
 - Fed directly from cells or batteries.
- The output of the optical radiation source with respect to explosion protection meets Exception 3 from the scope of CAN/CSA-C22.2 No. 60079-28:16 Ed.1.
- Upon installation remove the plastic transit plug from the cable entry and use a cable fitting or a conduit fitting with the following specification to connect the cable to the equipment:
 - Ex marking: Ex eb IIC Gb, Ex tb IIIC Db
 - Temperature rating: -55 °C to +83 °C or better
 - Connecting thread: M25x1.5 or ¾-in. NPT
- Equipment is only to be installed by manufacturer trained personnel.
- Equipment has only been tested for electrical safety. No evaluation of functional safety and performance characteristics has been conducted.
- The equipment shall be supplied with Limited Energy Circuit (LEC) as defined in CSA C22.2 No. 61010-1-12 or Limited Power Source (LPS) as defined in CAN/CSA C22.2 No. 60950-1.

Conditions for US installations

- The dimensions of the flameproof joints are other than the relevant minimum or maximum values required by Table 3-1 of UL 60079-0:2019 Ed. 7 for IIB + H₂, as detailed below:

Flamepath description	Type of joint	Minimum width "L" (mm)	Maximum gap "I _c " (mm)
Cylindrical section of spigot (both ends of Ex d compartment)	Cylindrical	15	0.08
30 mm diameter window fitted against enclosure	Flanged	10.7	0.02
39.5 mm diameter window fitted against enclosure	Flanged	10	0.02

Gaps shall not be machined to be any larger than the values of 'I_c', and widths shall not be modified to be any smaller than the values of 'L', shown in the table above.

- Connections to the IS port on the side of the detector enclosure shall be made via equipment which maintains the intrinsically safe levels of protection.
- Where U_m marked on the associated apparatus is less than 250 V it shall be installed in accordance with one of the following:
 - Where U_m does not exceed 50 Vac or 120 Vdc, in a SELV or PELV system or,
 - Via a safety isolating transformer complying with the requirements of UL 5085-1 or technically equivalent standard, or
 - Directly connected to apparatus complying with UL 60950-1, UL 61010-1 or technically equivalent standard, or
 - Fed directly from cells or batteries.
- The output of the optical radiation source with respect to explosion protection meets Exception 3 from the scope of UL 60079-28:2017 Ed.2.
- Upon installation remove the plastic transit plug from the cable entry and use a cable fitting or a conduit fitting with the following specification to connect the cable to the equipment:
 - Ex marking: Class I Zone 1 AEx eb IIC Gb, Zone 21 AEx tb IIIC Db
 - Temperature rating: -55 °C to +83 °C or better
 - Connecting thread: M25x1.5 or ¾-in. NPT
- Equipment is only to be installed by manufacturer trained personnel.
- Equipment has only been tested for electrical safety. No evaluation of functional safety and performance characteristics has been conducted.
- The equipment shall be supplied with Class 2 as defined in article 725.121 of NFPA 70.

6.5 Conduit/cable installation

The conduit and cable installation must comply with the following guidelines:

- To avoid water condensation in the receiver, install the receiver with the conduits/cable entries facing downward.
- Use flexible conduits/cables for the last portion that connects to the receiver.
- When pulling the cables through the conduits, ensure that they are not tangled or stressed. Extend the cables about 12-in./30 cm beyond the receiver location to accommodate wiring after installation.
- After the conductor cables have been pulled through the conduits, perform a continuity test.

6.6 Receiver/transmitter mounting

Mount the transmitter or receiver with the tilt mount kit, P/N 888270. The tilt mount enables the transmitter or receiver to be rotated up to 60° in all directions, with a fine alignment of up to 10°.

6.6.1 Tilt kit

The following contents are included with the tilt mount kit (P/N 888270):

Table 6-3: Tilt mount kit

Item	Quantity	Type/model
Tilt mount	1	
Screw	1	M10 x 1.5
Spring washer	1	Number 10

6.6.2 Transmitter and receiver installation

The transmitter and receiver can be installed in two ways with the same tilt mount. Refer to [Figure 6-1](#) and [Figure 6-2](#).

To install the transmitter and receiver:

Procedure

1. Place the tilt mount holding plate (1) in its designated location and secure it with 4 fasteners through four holes of an 8.5 mm diameter.

Note

- Skip this step if the tilt mount is already installed.
 - Receiver removal for maintenance purposes does not require tilt mount removal.
-

2. Place the receiver, with its conduit/cable inlets pointing downwards, on the receiver holding plate of the tilt mount (B). Secure the receiver with M10 x 1.5 screws with No. M10 spring washers (I, J). Secure the receiver to the tilt mount using Hex Key No. 7 for M10 x 1.5 screws (I).
3. Repeat [Step 1](#) and [Step 2](#) for installing the transmitter.

6.7 Receiver wiring

To install the receiver wiring:

Procedure

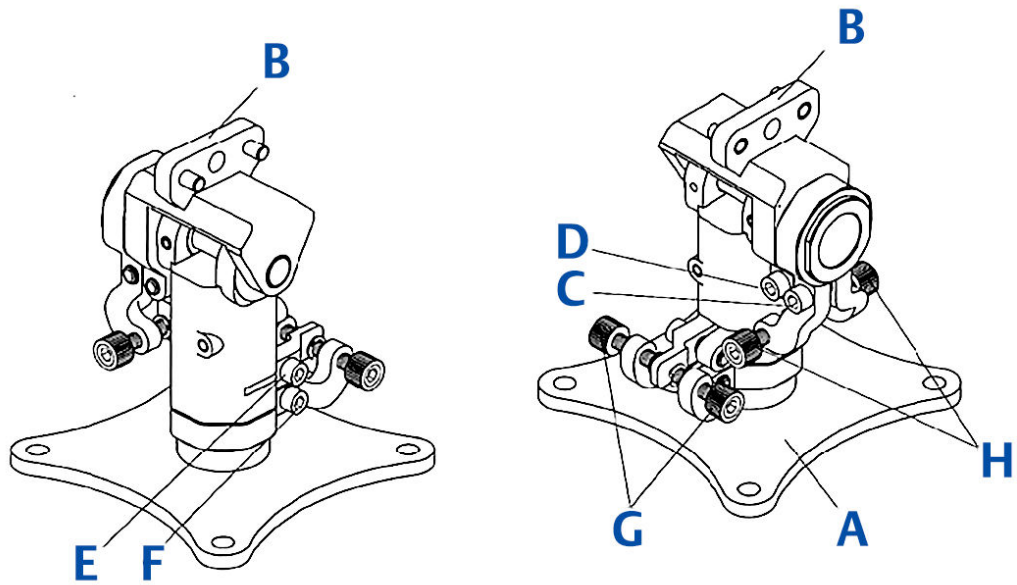
1. Release the back cover secure bolt (Figure 6-2, Item O), and open the receiver back cover (Figure 6-2, Item N). The chamber is now exposed.
2. Remove the protective plug mounted on the receiver conduit/cable entry inlet and pull the wires through the receiver inlet (Figure 6-3, Item D). Use a $\frac{3}{4}$ -in. – 14 NPT or M25x1.5 explosion-proof conduit connection/cable gland to assemble the cable/explosion-proof conduit to the receiver.
3. Connect the wires to the required terminals (Figure 6-3, Item B) according to the wiring diagram. See [Receiver terminal wiring](#), and [Figure B-1](#), [Figure B-2](#), [Figure B-3](#), and [Figure B-4](#) in [Wiring configurations](#).
4. Connect the grounding wire to the ground screw located on the exterior of the receiver (Figure 6-3, Item C). The receiver must be well grounded to earth ground.

Note

In case of installations in the US, the internal grounding connection shall be used for the equipment grounding connection and the external connection is for a supplementary bonding connection where local codes or authorities permit or require such connection. The external bonding conductor shall be manufactured from copper and shall have a size of 4 mm². A tightening torque of 16 in-lb (1.8 N-m) shall be used to secure the bonding conductor.

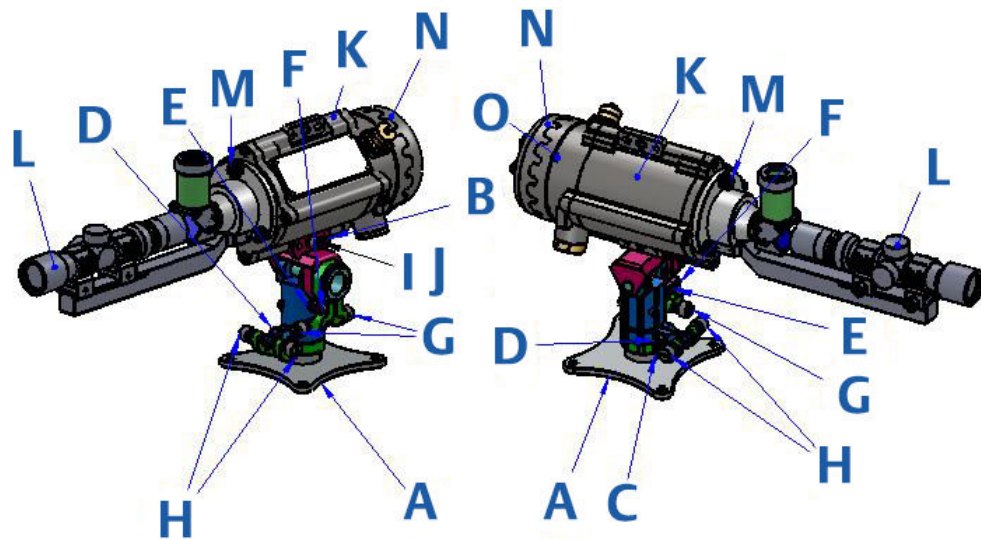
5. Place and secure the receiver's back cover by screwing on the cover and securing it using the secure bolt (Figure 6-2, Item O).

Figure 6-1: Tilt mount



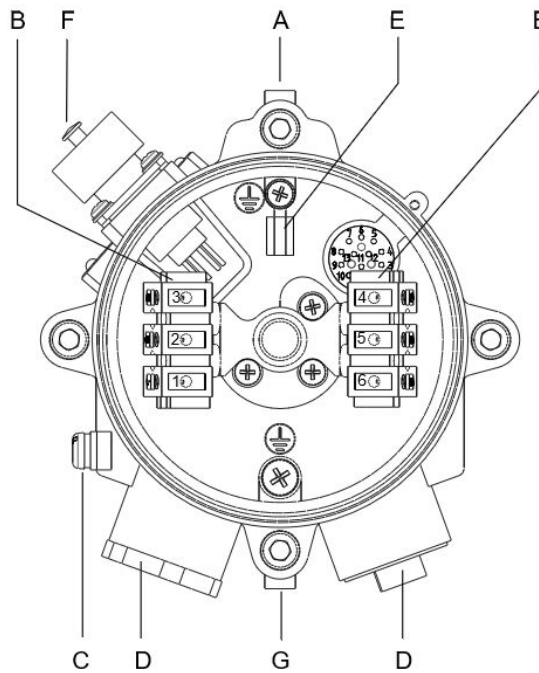
- A. Tilt mount holding plate
- B. Transmitter or receiver holding plate
- C. Vertical crude alignment tightening screw
- D. Vertical fine alignment tightening screw
- E. Horizontal fine alignment tightening screw
- F. Horizontal crude alignment tightening screw
- G. Horizontal fine alignment screw
- H. Vertical fine alignment screw

Figure 6-2: Receiver and tilt mount assembly



- A. Tilt mount holding plate
- B. Transmitter or receiver holding plate
- C. Horizontal crude alignment tightening screw
- D. Horizontal fine alignment tightening screw
- E. Vertical fine alignment tightening screw
- F. Vertical crude alignment tightening screw
- G. Vertical fine alignment screw
- H. Horizontal fine alignment screw
- I. Receiver tightening screw
- J. Receiver tightening washer
- K. Receiver
- L. Alignment tool
- M. Alignment tool tightening bolt
- N. Receiver back cover
- O. Receiver back cover secure bolt

Figure 6-3: Receiver with cover removed



- A. Housing
- B. Terminal board
- C. Earth terminal
- D. Inlet conduit
- E. Internal earth connection
- F. Connection to handheld unit
- G. Receiver holding plate

6.8 Receiver terminal wiring

The receiver has six wiring terminals.

The following table lists the functions of each electrical terminal of the receiver.

Table 6-4: Wiring options

Terminal number	Function
1	Power +24 VDC
2	Return -24 VDC
3	0-20 mA In (+)
4	0-20 mA Out (-)
5	RS-485 (+)
6	RS-485 (-)

6.9 Transmitter wiring

6.9.1 Wiring

To install the transmitter wiring:

Procedure

1. Release the back screw bolt (Figure 6-2, Item O), and open the transmitter back cover (Figure 6-2, Item N). The chamber is now exposed.
2. Remove the protective plug mounted on the transmitter conduit/cable entry inlet and pull the wires through the transmitter inlet (Figure 6-4, Item D). Use a ¾-in. – 14 NPT or M25x1.5 explosion-proof conduit connection/cable gland to assemble the cable/explosion-proof conduit to the receiver.
3. Connect the wires to the required terminals (Figure 6-4, Item B) according to the wiring diagram. See [Terminal wiring](#), and [Figure B-4 in Wiring configurations](#).
4. Connect the grounding wire to the ground screw located on the exterior of the receiver (Figure 6-4, Item C). The transmitter must be well grounded to earth ground.

Note

In case of installations in the US, the internal grounding connection shall be used for the equipment grounding connection and the external connection is for a supplementary bonding connection where local codes or authorities permit or require such connection. The external bonding conductor shall be manufactured from copper and shall have a size of 4 mm². A tightening torque of 16 in-lb (1.8 N-m) shall be used to secure the bonding conductor.

5. Place and secure the transmitter unit's back cover by screwing on the cover and securing the back screw bolt.

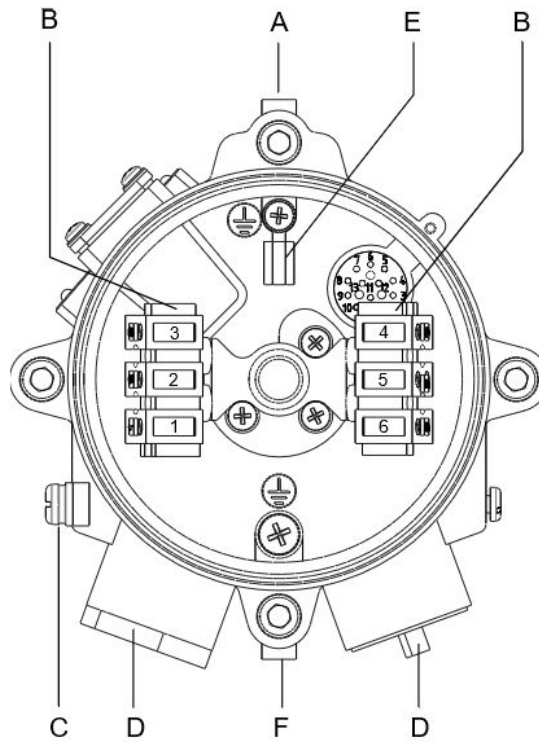
6.9.2 Terminal wiring

The contains six wiring terminals.

Table 6-5: wiring options

Terminal number	Function
1	Power +24 VDC
2	Return -24 VDC
3	Spare
4	Spare
5	Spare
6	Spare

Figure 6-4: Transmitter with cover removed



- A. Housing
- B. Terminal board
- C. Earth terminal
- D. Inlet conduit
- E. Internal earth connection
- F. Transmitter holding plate

7 Operating instructions

For information on communicating with the device, see the principles of operation topics.

7.1 Safety operation

Once the system is in place, it automatically monitors for the specified gases, and sends signals to a standard control panel or PC. This section describes the alignment, calibration, and operation of the Rosemount System.

⚠ CAUTION

Accurate alignment is essential for proper operation of the Rosemount system.

7.2 Alignment of unit

The alignment tool is used to perform full alignment.

Perform the alignment procedure in two stages: crude alignment and fine adjustment.

The alignment tool includes a periscope that consists of a prism and an ocular that are located vertical to the alignment tool assembly. This allows the user to look into the opposite unit perpendicularly to the one being aligned, when access from the rear of the unit is impossible. For installations where rear access is possible, the periscope is not necessary, and it can be removed by releasing the periscope fastening screw.

Note

- To ensure proper alignment according to factory calibration, prior to alignment tool installation, verify that the alignment tool and its sight mounting are free of dirt.
- To ensure optimal alignment, do not attempt to change factory calibration of the alignment tool or its mounting.

To align the unit (see [Figure 6-2](#)):

Procedure

1. Ensure that the receiver and the are installed properly refer to [Installation instructions](#).
2. Remove the front shield using the two captive screws.
3. Install the alignment tool assembly (Item L) on the front of the receiver or transmitter. Fasten the alignment tool with fastening screws (Item M).
4. Crude Alignment:
 - a. Use a ¼-in. Allen screwdriver for all alignment screws.
 - b. Loosen screws E and F.
 - c. Approximately aim the transmitter horizontally toward the receiver.
 - d. Tighten screw F.
 - e. Loosen screws C and D.
 - f. Approximately aim the transmitter vertically toward the receiver.

7.5 Signal verification

Perform signal verification through the host software supplied by your vendor or by the HART handheld unit.

7.5.1 Signal values limitation

Table 7-1 describes the maintenance data channels limitation values.

Table 7-1: Maintenance channel limitation values

Channel	Short range		Medium range		Long range	
	5 m	16 m	14 m	40 m	35 m	60 m
Reference	2 V Gain 0	1.5 V Gain 2	2 V Gain 0	1 V Gain 1	2 V Gain 1	1 V Gain 2
Signal 1 and 2	2 V Gain 0	1.5 V Gain 2	2 V Gain 0	1 V Gain 1	2 V Gain 1	1 V Gain 2
Ratio 1 and 2	0.6–1.4					
NQRat 1 and 2	0.97–1.03					
ppm.m	0 ppm.m					
Temperature	Up to 77 °F/25 °C beyond ambient temperature					
Voltage	32 VDC < V < 18 VDC					

Note

The installation information refers to the installation distance.

- **Short range:** The minimum distance, as defined on the model number.
- **Medium range:** Half of the maximum distance, as defined on the model number.
- **Long range:** The maximum distance, as defined on the model number.

7.6 Zero calibration

Zero calibration must be performed after any of the following:

- Installation
- Realignment
- Window cleaning
- Any change in transmitter or receiver position

Zero calibration can be done with HART® or Modbus using the RS-485 interface.

Precise alignment must be performed prior to the zero calibration procedure. Perform zero calibration in good weather conditions, with insignificant gas concentrations in the surrounding environment, or indoors.

To perform the zero calibration procedure:

To perform the zero calibration procedure use the HART software (refer to the product web page), or Modbus software on the RS-485 interface (refer to the product web page).

Procedure

1. Switch from normal to alignment mode indication.
2. Switch from alignment to standby mode.
3. Switch from standby to zero calibration mode.
4. The 0–20 mA output should now be at 1 mA.
5. Wait up to 60 seconds until the mode changes to normal. The transmitter reading is now set to normal and the 0–20 mA output indicates 4 mA.

7.7 Functional check

The system has been calibrated at the factory for the user's specific gas or vapor detection requirements. The functional check procedure validates the system's functional operation.

The functional check filter is a convenient operational check used to confirm that a response has not changed from previous readings. The filter is not used for calibration, since it is unnecessary in the procedure, nor does it equate to a particular quantity of gas.

⚠ CAUTION

Disable automatic activation and disconnect any external device that should not be activated during the calibration check.

Note

- This functional verification procedure is for a standard 0–20 mA output.
- Prior to starting the functional check, verify that the power to the units is on, and that the current of the 0–20 mA channel is stable. Record the reading.
- The short range model detects Hydrogen Sulfide (H₂S) gas at a distance of 5 m – 16 m (17 ft. – 52 ft.). Unless specified in your purchase order, the detecting unit short range is set by default to the mid/long range. To configure the model for short range detection, refer to [Configuring the short range model](#).

To perform the functional check:

Procedure

1. Position the functional check filter in front of the receiver.
2. Center the functional check filter's window over the receiver's viewing window.
3. Wait 20 seconds.
4. Read the 0–20 mA current. Determine the difference between the reading taken with and without the functional check filter. This difference is the 0–20 mA current variance.
5. Record the 0–20 mA current variance in the maintenance logbook. If the variance is more than a 30% change when compared to the previous check (see delivery form), repeat the alignment.

8 Maintenance instructions

8.1 General maintenance

8.2 Periodic maintenance

The transmitter and receiver viewing windows should be kept as clean as possible. The frequency of cleaning operations depends on the existing environmental conditions and the applications used.

To perform periodic maintenance:

Procedure

1. Perform alignment procedures each time that the transmitter or receiver unit are opened or moved for any reason.
2. The signal verification check corroborates the proper alignments. This check should be performed every 6–12 months. The signal should be checked according to threshold levels (see [Signal verification](#)).
3. Perform a functional check every 6 months (see [Functional check](#)).
4. Perform the alignment procedure only if the signals are below threshold value (see [Signal verification](#)).
5. Set the baseline (see [Zero calibration](#)) every time the transmitter or receiver is realigned, or the windows are cleaned.

8.2.1 Routine optical surface cleaning

The system, being an optical device, must be kept as clean as possible. The optical surfaces involved are the transmitter and receiver viewing windows.

To clean the optical window:

Procedure

1. Disconnect the power to the transmitter and receiver.
2. In places where dust or dirt has accumulated on the optical surface, clean the surface with a small, soft-bristle brush.
3. Wash the surfaces thoroughly with water and a mild non-abrasive detergent.
4. Thoroughly rinse the glass surface with clean water, ensuring no residue is left behind.
5. Dry the glass with a clean, dry, soft cloth.
6. Enter the date, name of company, and person who performed the maintenance service into the maintenance logbook.
7. Reconnect the power to the transmitter and receiver.
8. Perform signal verification (see [Signal verification](#)).
9. Perform zero calibration (see [Zero calibration](#)).
10. Perform a functional check (see [Functional check](#)).

8.2.2 Signal verification

The signal verification check determines the proper operation of the open path. It checks the alignment and cleanliness of the window or any problem in the transmitter or receiver. Use the PC Host software to measure the signal verification.

8.2.3 Functional check of unit

The Rosemount 936 has been calibrated at the factory according to the user's specific gas or vapor detection requirements. Use the check filters included in the commissioning kit according to the corresponding calibrating gas to validate correct installation. Refer to [Functional check](#) for instructions.

⚠ CAUTION

Disable automatic activation and disconnect any external device that should not be activated during the calibration check.

9 Troubleshooting

Table 9-1: Troubleshooting

Problem	Cause	Solution
"Maintenance call" Status OMN: Signals are below 2.5 VDC at Gain 4 Status RMN: Ratios are below 0.5	Poor alignment	Perform alignment
	Dirt on the window	Clean the window
	Poor light source	Replace the light source
	Receiver fault	Replace/repair receiver
NQR at below the permitted limit	Gas in the path	Make sure that the path is clean and that the weather conditions are good
NQR at above the permitted limit	Poor alignment	Perform alignment
Temperature higher than 77 °F/25 °C beyond the ambient temperature	Electronic problem	Replace/repair receiver
Ratio 1 and Ratio 2 out of the limit	Poor alignment	Perform alignment
	Dirt on the window	Clean the window
	Receiver fault	Replace/repair receiver
Voltage less than 16 VDC. The Receiver at "V" fault.	Low input voltage	Check the power supply and installation

10 Declaration of Conformity

EU/UK_R421Ka

EMERSON Declaration of Conformity **CE / UK CA**

We, **Rosemount Inc.**
6021 Innovation Blvd
Shakopee, MN 55379
USA

declare under our sole responsibility that the product,

935/936 Open Path Gas Source

Authorized Representative in Europe:

Emerson S.R.L., company No. J12/88/2006, Emerson 4 street, Parcul Industrial Tatarom II, Cluj-Napoca 400638, Romania

Regulatory Compliance Shared Services Department
Email: europaproductcompliance@emerson.com Phone: +40 374 132 035


For product compliance destination sales questions in Great Britain, contact Authorized Representative:

Emerson Process Management Limited at ukproductcompliance@emerson.com or +44 11 6282 23 64, Regulatory Compliance Department.

Emerson Process Management Limited, company No 00671801, Meridian East, Leicester LE19 1UX, United Kingdom

to which this declaration relates, is in conformity with:

- 1) the relevant statutory requirements of Great Britain, including the latest amendments
- 2) the provisions of the European Union Directives, including the latest amendments

 October 3, 2022
(signature & date of issue)

Mark Lee	VP Global Quality	Boulder Colorado, USA
(name)	(function)	(place of issue)




ATEX Notified Body for EU Type Examination Certificate:
CSA Group Netherlands B.V. [Notified Body Number: 2813]
Utrechtseweg 310
6812 AR ARNHEM
Netherlands

ATEX Notified Body for Quality Assurance:
SGS Fimko Oy [Notified Body Number: 0598]
Takomotie 8
00380 Helsinki
Finland

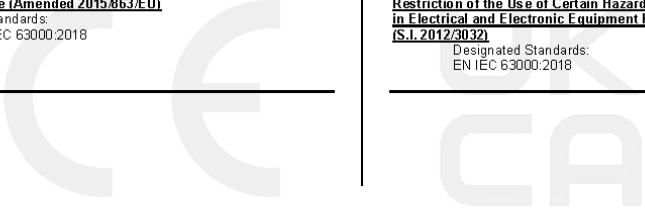
UK Conformity Assessment Body for UK Type Examination Certificate:
CSA Group Testing UK Ltd [Approved Body Number: 0518]
Unit 6 Hawarden Industrial Park, Hawarden, CH5 3US
United Kingdom

UK Approved Body for Quality Assurance:
SGS Baseefa Ltd. [Approved Body Number: 1180]
Rockhead Business Park, Staden Lane
Buxton, Derbyshire. SK17 9RZ
United Kingdom

EU/UK_R421Ka

 **Declaration of Conformity**  

<p>ATEX Directive (2014/34/EU) SIRA 16ATEX1224X Ex II 2 (2) G D Ex db eb ib [ib Gb] IIB + H2 T4 Gb Ex tb [ib Db] IIIC T135°C Db Ta = -55 °C to +65 °C</p> <p>Harmonized Standards: EN 60079-0:2018/AC:2020 EN 60079-1:2014/AC:2018 EN 60079-7:2015+A1:2018 EN 60079-11:2012 EN 60079-28:2015 EN 60079-31:2014</p>	<p>Equipment and Protective Systems Intended for use in Potentially Explosive Atmospheres Regulations 2016 (S.I. 2016/1107) CSAE 21(UKEX)1175X Ex II 2 (2) G D Ex db eb ib [ib Gb] IIB + H2 T4 Gb Ex tb [ib Db] IIIC T135°C Db Ta = -55 °C to +65 °C</p> <p>Designated Standards: EN 60079-0:2018/AC:2020 EN 60079-1:2014/AC:2018 EN 60079-7:2015+A1:2018 EN 60079-11:2012 EN 60079-28:2015 EN 60079-31:2014</p>
<p>EMC Directive (2014/30/EU) Harmonized Standards: EN 50270:2016 EN 61000-6-3:2007+A1:2011+AC:2012</p>	<p>Electromagnetic Compatibility Regulations 2016 (S.I. 2016/1091) Designated Standards: EN 50270:2016 EN 61000-6-3:2007+A1:2011+AC:2012</p>
<p>RoHS Directive (Amended 2015/863/EU) Harmonized Standards: EN IEC 63000:2018</p>	<p>Restriction of the Use of Certain Hazardous Substances in Electrical and Electronic Equipment Regulations 2012 (S.I. 2012/3032) Designated Standards: EN IEC 63000:2018</p>



A Ordering information

You can order the Rosemount 936 as separate parts: source (PN 936TXT00XXXX), detector (PN 936RT12XXXX), and accessories.



- Accurate and reliable high-speed response in under three seconds
- Utilizes ultraviolet technology
- High immunity to false alarms
- Easy installation and maintenance

[CONFIGURE >](#)

[VIEW PRODUCT >](#)

A.1 Online product configurator

Many products are configurable online using our Product Configurator. See [Emerson.com](https://www.emerson.com) to start. With this tool's built-in logic and continuous validation, you can configure your products more quickly and accurately.

A.2 Model codes

Model codes contain the details related to each product.

Exact model codes will vary; an example of a typical model code is shown in [Source \(Transmitter\)](#) and [Detector \(Receiver\)](#).

Source (Transmitter)

936T1T00F002SA1

Detector (Receiver)

936R1T262SA1

A.3 Specifications and options

See Specification for more details on each configuration.

Specification and selection of product materials, options, or components must be made by the purchaser of the equipment.

A.4 Source (Transmitter)

A.4.1 Required model components

Model

Code	Description
936	Open Path Gas Detector Source (Transmitter)

Transmitter range

Code	Description
T1	Transmitter - Range of 17 ft. (5 m) to 52 ft. (16 m)
T2	Transmitter - Range of 46 ft. (14 m) to 132 ft. (40 m)
T3	Transmitter - Range of 115 ft. (35 m) to 200 ft. (60 m)

Gas calibration

Code	Description
T00	Transmitter

Housing style / conduit

Code	Material	Measurement
2S	Stainless steel	¾-in. NPT
4S	Stainless steel	M25

Product certifications

Code	Description
A1	ATEX, IECEx, UKCA
A3	CSA C/US
E2	InMetro (pending)
EM	TR CU (EAC) (pending)
EP	Republic of Korea

A.5 Detector (Receiver)

A.5.1 Required model components

Model

Code	Description
936	Toxic Open Path Gas Detector (Receiver)

Receiver selection

Code	Description
R1	Receiver

Gas calibration

Code	Description
T26	Hydrogen sulfide (receiver)
T27	Ammonia (receiver)

Housing style / conduit

Code	Material	Measurement
2S	Stainless steel	¾-in. NPT
4S	Stainless steel	M25

Product certifications

Code	Description
A1	ATEX, IECEX, UKCA
A3	CSA C/US
E2	InMetro (pending)
EM	TR CU (EAC) (pending)
EP	Republic of Korea

B Wiring configurations

Figure B-1: Receiver wiring terminal

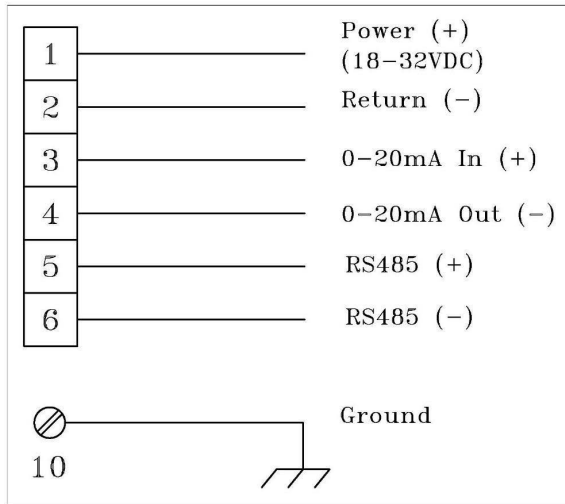


Figure B-2: Transmitter wiring terminal

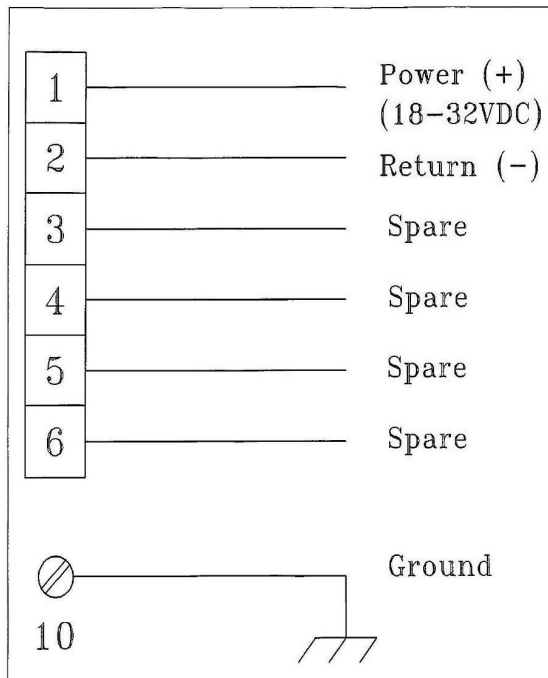


Figure B-3: 0–20 mA sink 4-wire

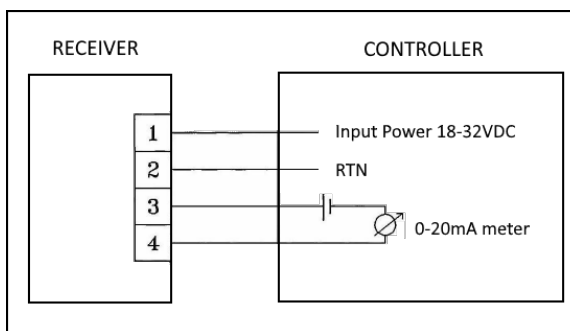


Figure B-4: 0–20 mA non-isolated sink 3-wire

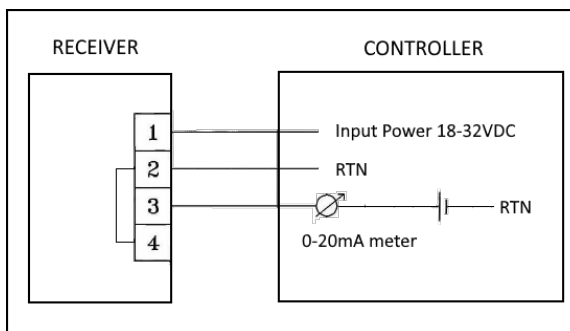
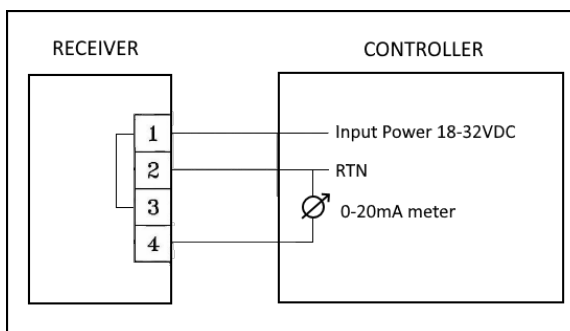


Figure B-5: 0–20 mA transmitter 3-wire

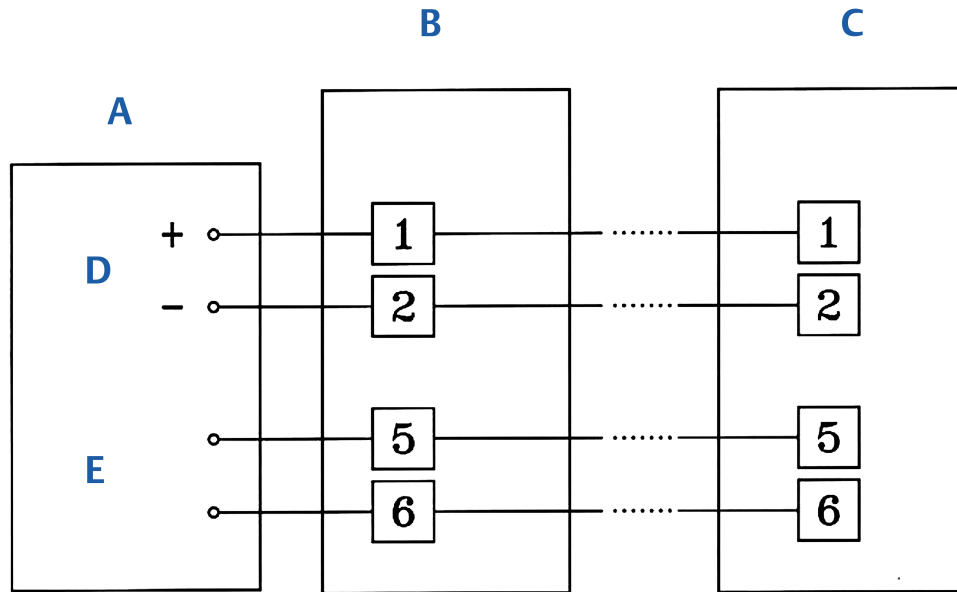


B.1 RS-485 communication network

By using the RS-485 network capability of the Rosemount 936 Receiver and additional software, it is possible to connect up to 32 receivers in an addressable system with four wires only (two for power and two for communication). Using repeaters, the number of receivers can be much larger (32 receivers for each repeater): up to 247 on the same four wires. When using the RS-485 network, it is possible to read each receiver status (FAULT, WARNING, and ALARM) individually.

For more details, contact Rosemount.

Figure B-6: RS-485 networking for wiring option 3



- A. Controller
- B. First receiver
- C. Last receiver
- D. Power supply
- E. RS-485 computer port

C Accessories

C.1 Tilt mount

The tilt mounting brackets (P/N 888270) allow for accurate alignment of the transmitter and receiver for proper operation of the open path. The brackets give crude alignment of $\pm 60^\circ$, and a fine alignment of $\pm 10^\circ$.

C.2 Pole mount (U-Bolt 2-3-in.)

The U-bolt mount (P/N 888140) is available to facilitate 2-3-in. pipe mounting.

C.3 Pole mount (U-Bolt 4-5-in.)

The U-bolt mount (P/N 799225) is available to facilitate 4-5-in. pipe mounting.

C.4 Wall mount

The Wall Mount (P/N 799255) is available to facilitate wall mounting.

C.5 Commissioning kit

The Extended Commissioning Kit is required for commissioning and future maintenance checks. The part number is 888257. Only one kit is required per site.

The kit includes an alignment tool, a magnetic mode selector, a functional check filters (H_2S/SO_2 or NH_3) for system installation and periodical functional testing, and socket keys for access to units.

Table C-1: Check filters

Check filter part number	Gas concentration
888280-1	>>120 ppm.m H_2S/SO_2
888280-2	>>120 ppm.m Ammonia

C.6 HART handled diagnostic unit

The HART handheld diagnostic unit (P/N 888810) is fitted with a harness to the quick-plug connection, providing an easy, economical connection. The HART handheld unit provides verification, status, and instructions for correcting the receiver's parameters. The unit is IS-approved, with a special harness to suit the receiver, and a host for maintenance and commissioning.

C.7 Universal RS-485 and HART IS harness kit

It includes a quick plug connection for a HART handheld unit and an RS-485 interface. The HART unit can be loaded with Rosemount host software. The RS-485 interface is for

connecting to a PC and using the Modbus Manager host software which is available from the vendor website. The part number is P/N 888820.

C.8 USB/RS-485 harness converter kit

The USB RS-485 Harness Kit with RS-485/USB converter (P/N 794079), together with Modbus Manager host software, enables the user to connect to any available PC or laptop to reconfigure settings or perform diagnostics on the Rosemount 936 gas detection system.

C.9 Protective cover

The protective cover (P/N 888263) is designed to protect the receiver from the heat of the sun.

D SIL-2 features

This appendix details the special conditions for compliance with the requirements of EN 61508 for SIL-2.

The Open-Path Gas can be used in low and high demand mode applications - see IEC 61508-4:2010, Chapter 3.5.16.

D.1 Safety relevant parameters

Type:	B
Structure:	1oo1
HFT:	0
Main time to repair:	72 hr
Ambient temperature:	max 149 °F/65 °C
Proof-Test-Interval:	52 weeks

$$\lambda_S = 1762 \text{ fit}$$

$$\lambda_D = 1722 \text{ fit}$$

$$\lambda_{DU} = 97.4 \text{ fit}$$

$$\lambda_{SD} = 1660.7 \text{ fit}$$

$$\lambda_{DD} = 1624.7 \text{ fit}$$

$$\text{SFF} = 97\%$$

$$\text{PFD}_{\text{avg}} = 5.5 \text{ E-} 04$$

$$\text{PFH} = 9.7 \text{ E-}08 \text{ 1/h}$$

$$\text{DC} = 94\%$$

$$\text{PFD}_{\% \text{ SIL2}} = 5.5\%$$

$$\text{PFH}_{\% \text{ SIL2}} = 9.7\%$$

D.2 General conditions for safe use

- The IR Open-Path Gas should consist only of the approved hardware and software modules.
- Take note of the application advice and limitations listed in this manual. The regional and national regulations should be considered when performing calibration/maintenance tasks.
- The 24 V power supply must fulfill the requirements for SELV/PELV of EN 60950.
- Do not use the HART and RS-485 interfaces for transmission of safety-related data.
- According to SIL-2 requirements, the alert conditions can be implemented by an alert signal via the 20 mA current loop.
- After installation and configuration, the setup parameters must be verified and the function of the IR Open-Path Gas must be checked completely.
- The alarm conditions of the transmitter must be checked periodically together with standard gas calibration checks. The Open-Path Gas must be switched off and on.
- The connected controller must monitor the 0–20 mA signal current for values below 4 mA and above 20 mA.

- Mean time to repair should be 72 hours.

E Configuring the short range model

The short range model detects hydrogen sulfide (H₂S) gas at a distance of 17 – 52 ft. (5 – 16 m).

Table E-1: Rosemount 936 H₂S Open Path Gas Detector Series

Range	Source (transmitter) option code	Minimum installation distance (ft./m)	Maximum installation distance (ft./m)
Short	T1	17/5	52/16
Mid	T2	46/14	132/40
Long	T3	115/35	200/60

The detection unit is set by default to the mid/long range. If you require a short range model, prior to installation of the detecting unit, please connect the unit using RS-485 or HART[®] communication and change the detection range in the setup screen as shown in [Figure E-1](#) and [Figure E-2](#).

Visit our website to download the Winhost software for RS-485 communication, or the device drivers (DD) to enable communication with the device using HART.

Figure E-1: Using RS-485 and Winhost

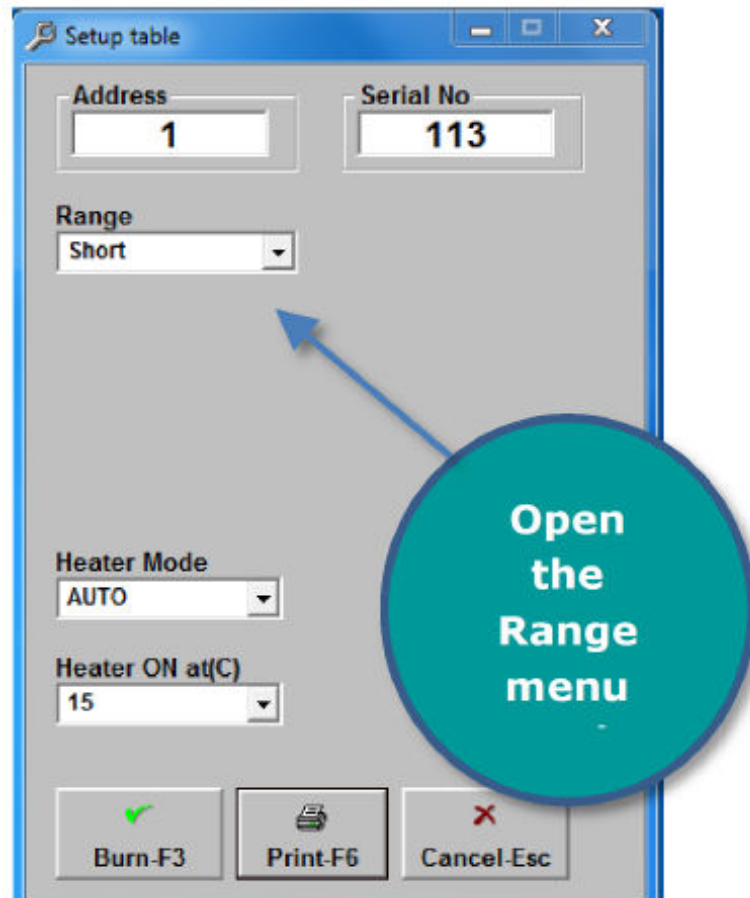


Figure E-2: Using HART DD

Device Setup Menu

- **Detection Range**
- Window Heater
- Loop Current Mode

For more information: [Emerson.com/global](https://emerson.com/global)

©2023 Emerson. All rights reserved.

Emerson Terms and Conditions of Sale are available upon request. The Emerson logo is a trademark and service mark of Emerson Electric Co. Rosemount is a mark of one of the Emerson family of companies. All other marks are the property of their respective owners.

ROSEMOUNT™

