

TopWorx™ D2-FF: FOUNDATION™ Fieldbus Installation, Operation & Maintenance Manual



Table of Contents

Cover Page..... 1
Table of Contents..... 2
1. Description & Specification..... 3
1.1 Storage 3
2. Installation 3
2.1. Orientations, Normal and Reverse Acting Actuators..... 3
2.2. Mounting..... 4
2.3. Wiring..... 4
2.4. Dimensions and Materials..... 5
2.5. Spool Valves & Pilots..... 9
2.6. Component Replacement..... 10
3. Operation..... 11
3.1. Operation Mode and Function Block Assignments..... 11
3.2. Device Calibration (Required Configuration)..... 12
3.3. End Position Deadband Adjustment 13
3.4. Reverse Valve Position..... 13
3.5. Flash LED..... 13
3.6. Shutdown Configuration 13
3.7. Button board Enable..... 14
3.8. Valve Position Indication..... 14
3.9. Position Sensor Type Indication..... 14
3.10. Temperature Indication..... 14
3.11. Device Cycle Count, Adjustment and Control..... 14
3.12. External Limit/Auxiliary Switch Connection..... 14
3.13. Timers..... 15
3.14. Field Diagnostic Alerts/Plantweb Alerts..... 19
3.15. Restart Methods..... 19
3.16. Device Options..... 19
3.17. Base Record Methods..... 19
3.18. DD Version Info..... 19
3.19. Menu structure for handheld devices and host systems that support DD menus..... 20
3.20. Troubleshooting..... 21
Appendix A: Resource Block Parameters..... 26
Appendix B: Transducer Block Parameters..... 33
Appendix C: AI Function Block Parameters..... 36
Appendix D: DI Function Block Parameters..... 41
Appendix E: DO Function Block Parameters..... 42
Appendix F: PID Function Block Parameters..... 44
Appendix G: Detailed Menu Tree..... 50
Appendix H: Specifications and Reference Data..... 55
Appendix I: Host Compatibility Sheet..... 56
Certifications & Approvals..... 57
Recommended Operating Temperatures..... 58
Replacement Parts 58
Notes..... 59
Contact Information..... 60

WARNING

To reduce the risk of death, serious injury or property damage:

- Personnel installing, maintaining, or operating this equipment must be qualified, must read, understand, and follow these instructions before proceeding.
• This document must be retained for future reference.
• Please contact local TopWorx representative for questions, clarifications, or comments.



1. Description & Specification

The TopWorx™ D2-FF Discrete Valve Controller combines position sensing and monitoring with FOUNDATION Fieldbus communications and pilot valve output drivers. It incorporates the following features:

FOUNDATION Fieldbus digital communication:

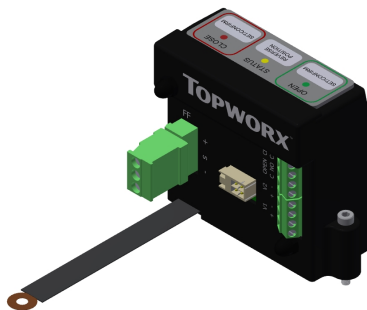
- Link active scheduler capability/Link Master (LAS)
- Pre-instantiated** blocks include Resource Block (RB), Transducer Block (TB), Analog Input (AI) Function Block, Discrete Output (DO) Function Block, 2 Discrete Input (DI) Function Block, Proportional, Integral, and Derivative (PID) Function Block
- Function block instantiation, live download, auto commission/replacement
- Fast function block execution time: DI: 15ms, AI: 15ms, DO: 20ms, PID: 20ms
- Compatible with Honeywell Experion, Yokogawa PRM & Fieldmate, ABB 800xA and GE Mark Vie Host systems
- Easy integration into AMS and DeltaV systems
- Device Dashboards powered by enhanced Electronic Device Description Language (EDDL)
- GO switch option for open/close status or two external Limit/Auxiliary switch inputs

Position sensing/monitoring

- GO switch option for open/close status
- Potentiometer option for position percentage indication, can be used for any rotation range between 20 and 320 degrees. End position offsets are adjustable.

Control and monitor inputs and outputs

- Supports single/double and normal/reverse acting actuators
- Local LEDs for visual indication
- Local push buttons for calibration
- Remote configuration from control system or field communicator
- Stroke valve method
- Cycle count monitoring
- Open/close time monitoring
- Temperature monitoring
- Open/short circuit protection
- Integrated field diagnostics and alerts simulation
- Embedded NAMUR NE 107 diagnostics
- External Limit/Auxiliary switch monitoring



Intrinsically Safe Input Parameters: Bus Connector pins 1 to 3			
I.S. Parameters		FISCO Parameters	
Ui	30V	Ui	17.5V
Ii	380mA	Ii	380mA
Pi	1.5W	Pi	5.32W
Ci	5nF	Ci	5nF
Li	10µH	Li	10µH

Electrical Specifications	
Current Consumption	17.65mA nominal
Max. Applied Voltage	35VDC
Operating Voltage	9-32VDC
Fieldbus Specifications	
Topology	Point to Point Bus with Spurs Daisy Chain Tree
Cable	Twisted Pair
Bus Length	1900m (max)
Transmission Speed	31.25 kbit/s
Intrinsically Safe	Yes
Function Block Execution Times	DI 15ms AI 15ms DO 20ms PID 20ms

**Pre-instantiated blocks are the pre-installed factory default function blocks. Instantiation is the capability to add blocks to and delete blocks from FF devices on the link. Up to 15 additional copies of each function block can be added to a device (except the transducer and resource blocks). Not an available feature in some DSC systems. Additional information is provided in FF-103.

1.1 Storage

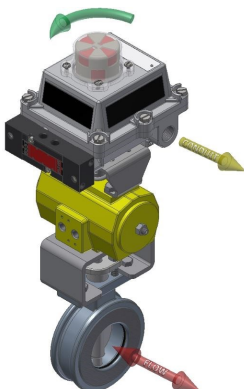
Until conduit, conduit plugs, and any applicable spool valve port connections are properly installed, the TopWorx™ unit will not support its IP/NEMA rating as the unit ships with temporary covers. Ensure that it is stored in a dry environment with a relative humidity range between 10%-95% and a temperature ranging from -40°F (-40°C) to 160°F (71°C). Once properly installed, the temperature range listed on the nameplate will supersede this storage temperature range.

2. Installation

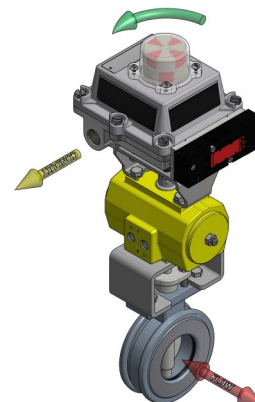
This section provides instruction for installing the TopWorx D2-FF Discrete Valve Controller including mounting, tubing and wiring connections.

2.1. Orientations, Normal and Reverse Acting Actuators

Normal acting is full clockwise when the process valve is closed and counterclockwise when the process valve is open. *Reverse acting* is full clockwise when the process valve is open and counterclockwise when the process valve is closed.



The image to the left shows a TopWorx™ unit mounted parallel to the process valve in the closed position. The green arrow at the top shows the “normal acting” direction of travel to open the valve. This is the standard orientation and unless otherwise specified, your unit will be factory set to operate in this fashion.

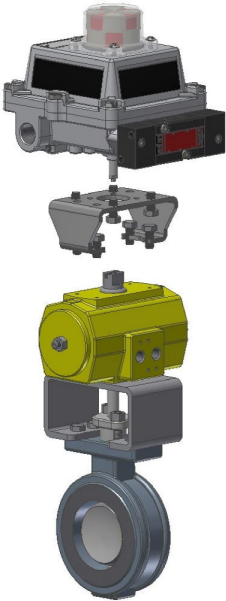


The image to the right shows a TopWorx™ unit mounted perpendicular to the process valve in the closed position. The green arrow at the top shows the “normal acting” direction of travel to open the valve. Notice that the TopWorx™ has been rotated 90° compared to the unit on the left.

2.2. Mounting

TopWorx has numerous mounting bracket kits, both rotary and linear, available to meet your specific application. Consult your local distributor or factory representative for ordering information. The illustration below shows a direct NAMUR mount on a quarter turn valve. Refer to your mounting kit documentation for specific mounting instructions.

2.2.1. Mounting Assembly Installation Notes

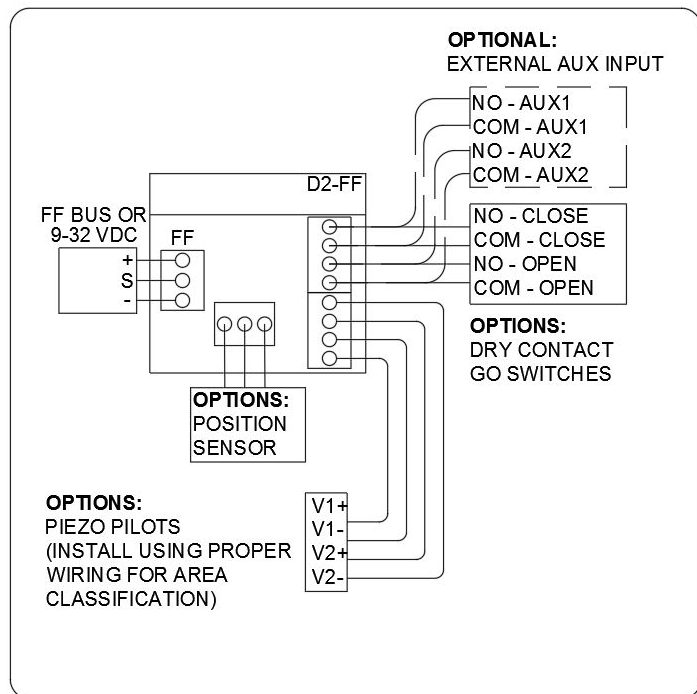
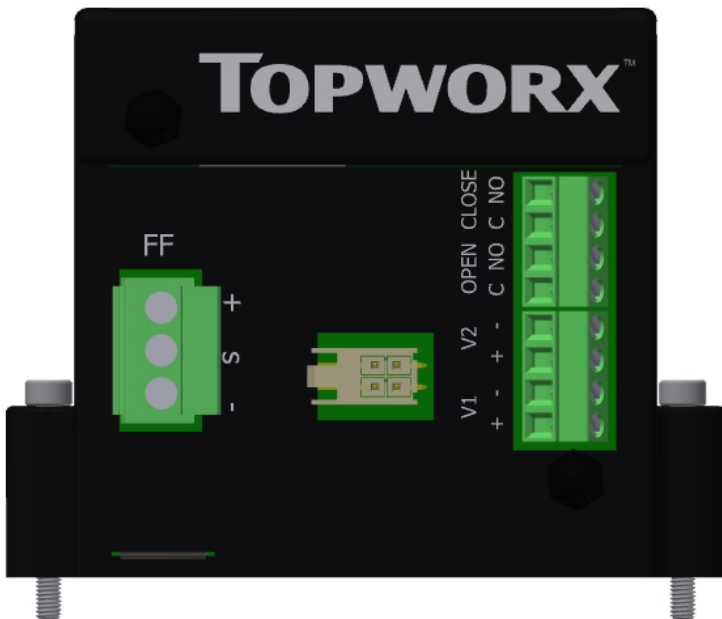


1. Use caution not to allow undue axial (thrust) load on the shaft.
2. Cycle the valve a couple of times prior to final tightening of the mounting kit hardware. This allows the shaft to self-center in the pinion slot, or coupler. Refer to the *dimensions and materials* section of this document for appropriate tightening torque.
3. Always use sound mechanical practices when applying torque to any hardware or making pneumatic connections. Refer to the Integrated Pneumatic Control Valves section for detailed information.
4. This product comes shipped with plastic plugs in the conduit entries in an effort to protect the internal components from debris during shipment and handling. **It is the responsibility of the receiving and/or installing personnel to provide appropriate permanent sealing devices to prevent the intrusion of debris or moisture when stored or installed outdoors.**
5. **It is the responsibility of the installer, or end user, to install this product in accordance with the National Electrical Code (NFPA 70) or any other national or regional code defining proper practices.**



NOTE: TopWorx has pre-configured modules and faceplates available for DeltaV control systems. Contact TopWorx factory for more information.

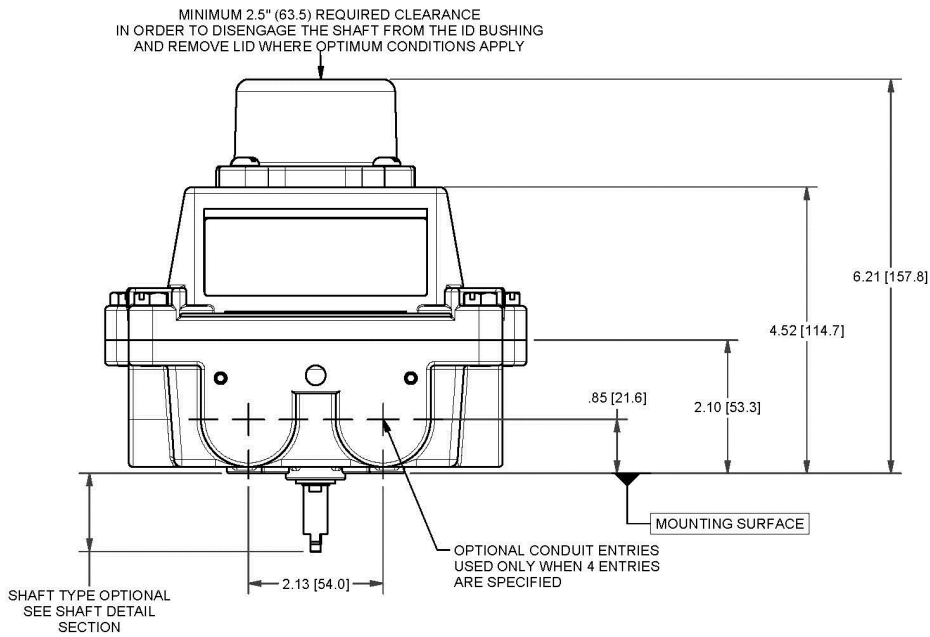
2.3. Wiring



2.4. Dimensions and Materials

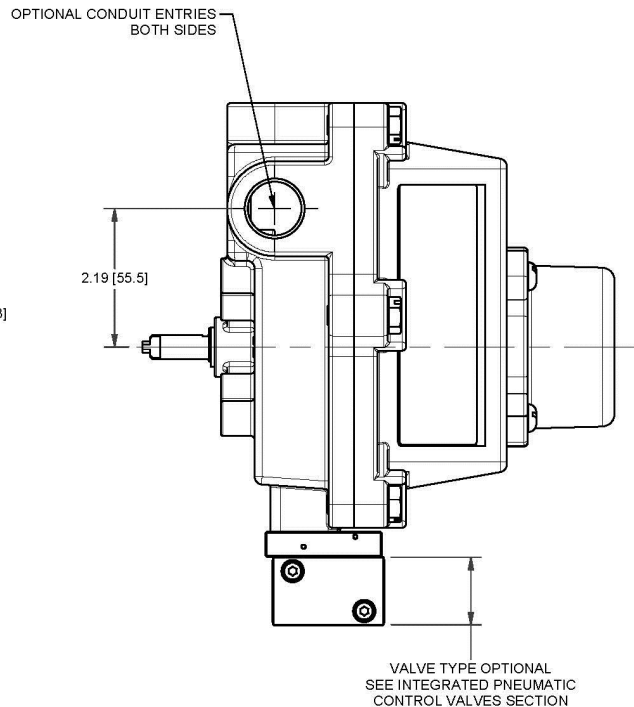
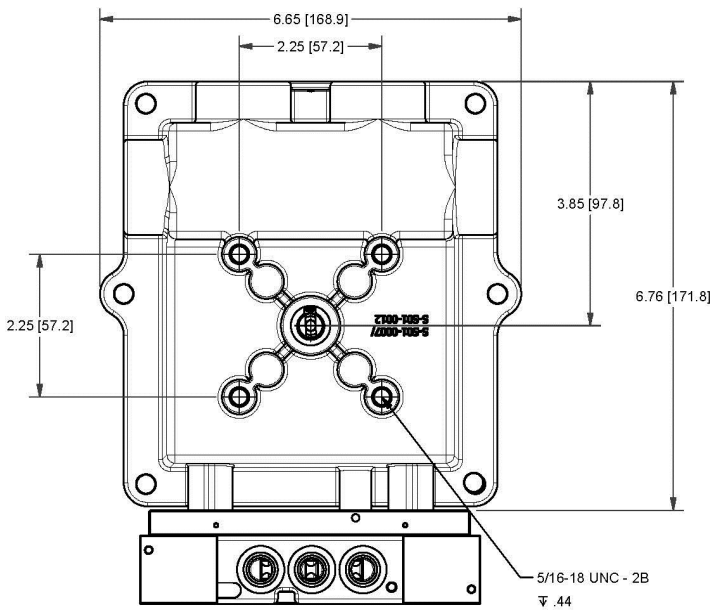
Cast aluminum bracket is recommended for installation with SS 8553 valve in vibrating environment.

2.4.1. TopWorx™ DXP



MATERIALS OF CONSTRUCTION	
Enclosure	Cast A360 aluminum with dichromate conversion coating inside & out, epoxy coated exterior rated for 250 hrs. salt spray per ASTM B117
Fasteners	304 Stainless Steel standard 316 Stainless Steel optional
Shaft	304 Stainless Steel standard 316 Stainless Steel optional
Shaft Bushing	Oilite Bronze
Indicator Dome	Polycarbonate, UV F1 rated
Seals	O-ring seals available in: Buna, & Silicone

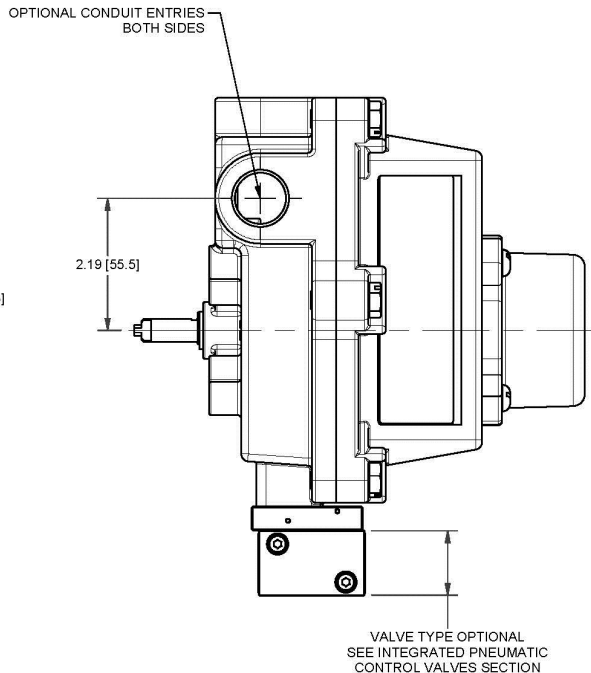
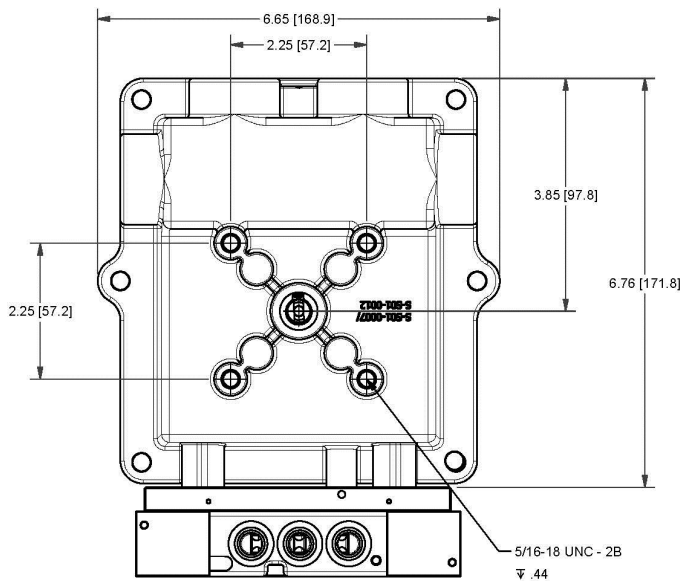
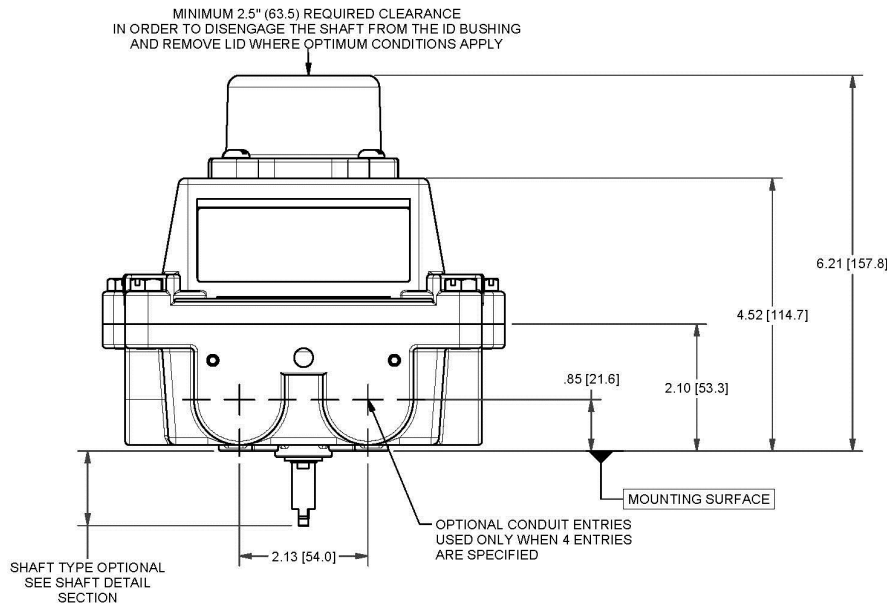
Fastener Torque Specifications	
Enclosure Housing Bolts	8 ft.-lbs [10.8 N·m] +/-10%
Indicator Dome Screws	320 in.-oz. [2.3 N·m] +/-10%
Bottom Mounting Holes	10 ft.-lbs [13.6 N·m] +/-10%



2.4. Dimensions and Materials (Continued)

Cast aluminum bracket is recommended for installation with SS 8553 valve in vibrating environment.

2.4.2. TopWorx™ DXS



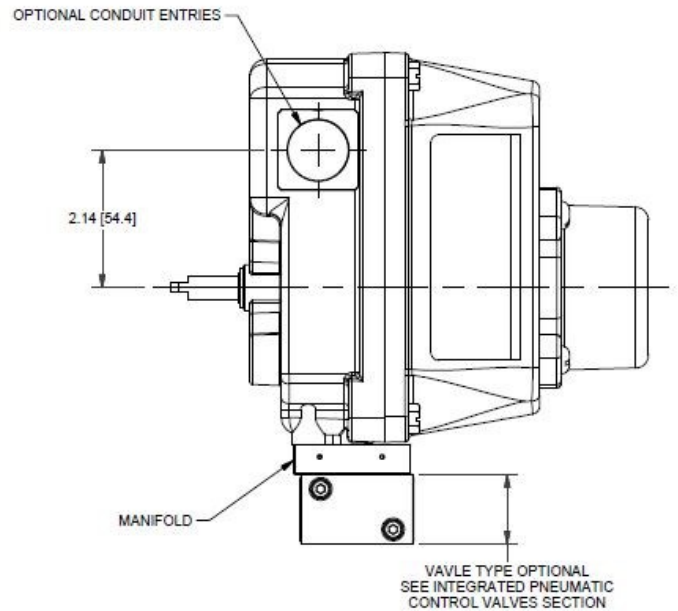
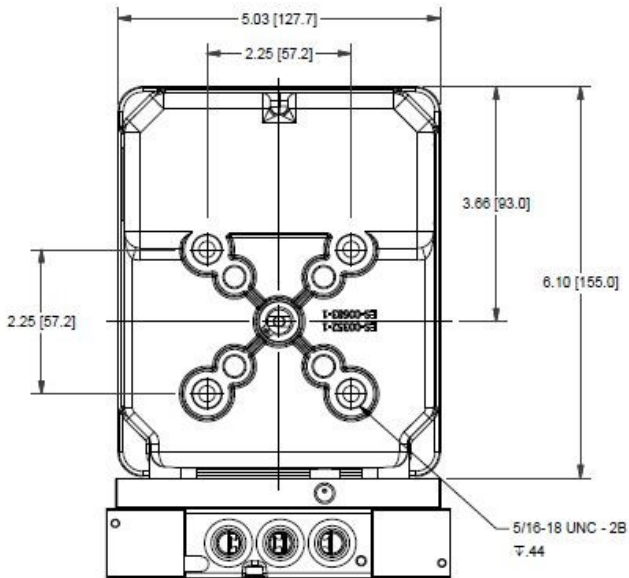
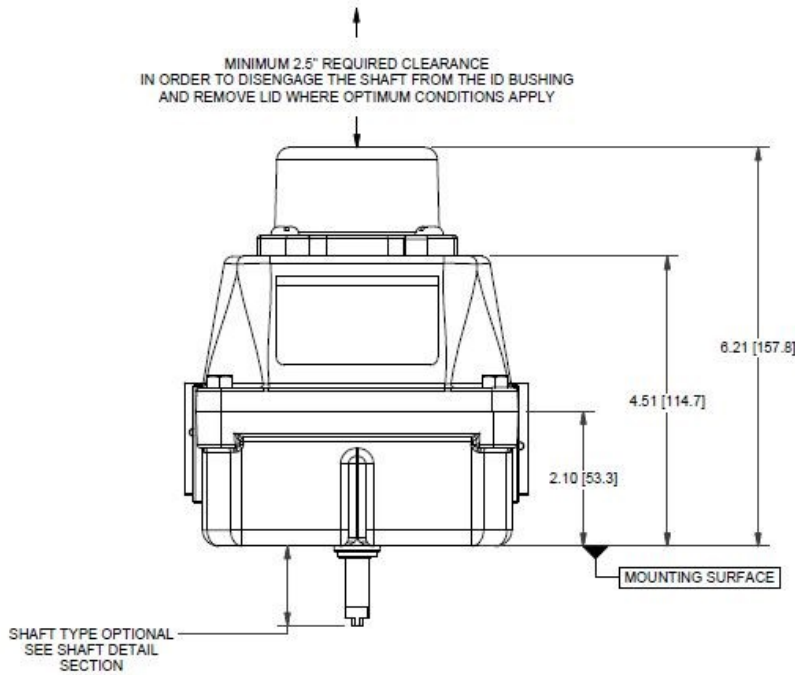
MATERIALS OF CONSTRUCTION	
Enclosure	Cast 316 Stainless Steel
Fasteners	304 Stainless Steel standard 316 Stainless Steel optional
Shaft	304 Stainless Steel standard 316 Stainless Steel optional
Shaft Bushing	N/A
Indicator Dome	Polycarbonate, UV F1 rated
Seals	O-ring seals available in: Buna & Silicone,

Fastener Torque Specifications	
Enclosure Housing Bolts	8 ft.-lbs [10.8 N·m] +/-10%
Indicator Dome Screws	320 in.-oz. [2.3 N·m] +/-10%
Bottom Mounting Holes	10 ft.-lbs [13.6 N·m] +/-10%

2.4. Dimensions and Materials (Continued)

Cast aluminum bracket is recommended for installation with SS 8553 valve in vibrating environment.

2.4.3. TopWorx™ DXR

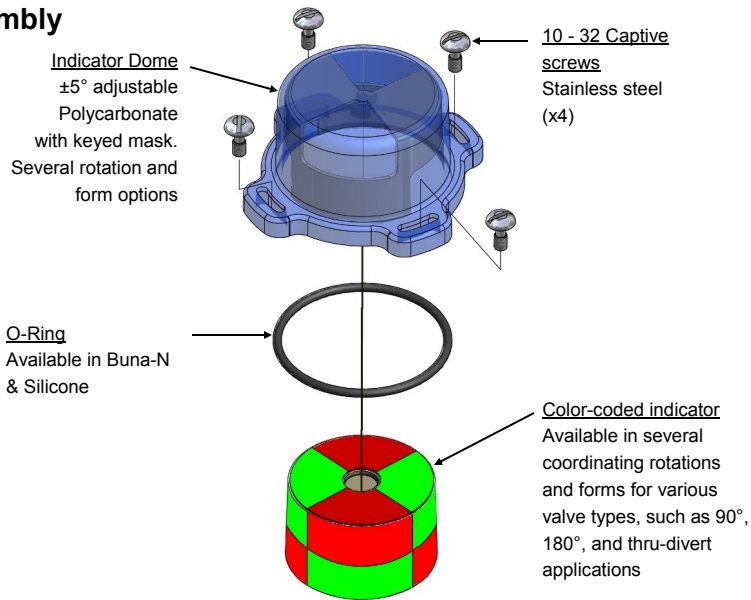


MATERIALS OF CONSTRUCTION	
Enclosure	Valox™ 364
Fasteners	304 Stainless Steel standard 316 Stainless Steel optional
Shaft	304 Stainless Steel standard 316 Stainless Steel optional
Shaft Bushing	Delrin™ 500P white
Indicator Dome	Polycarbonate, UV F1 rated
Seals	Silicone

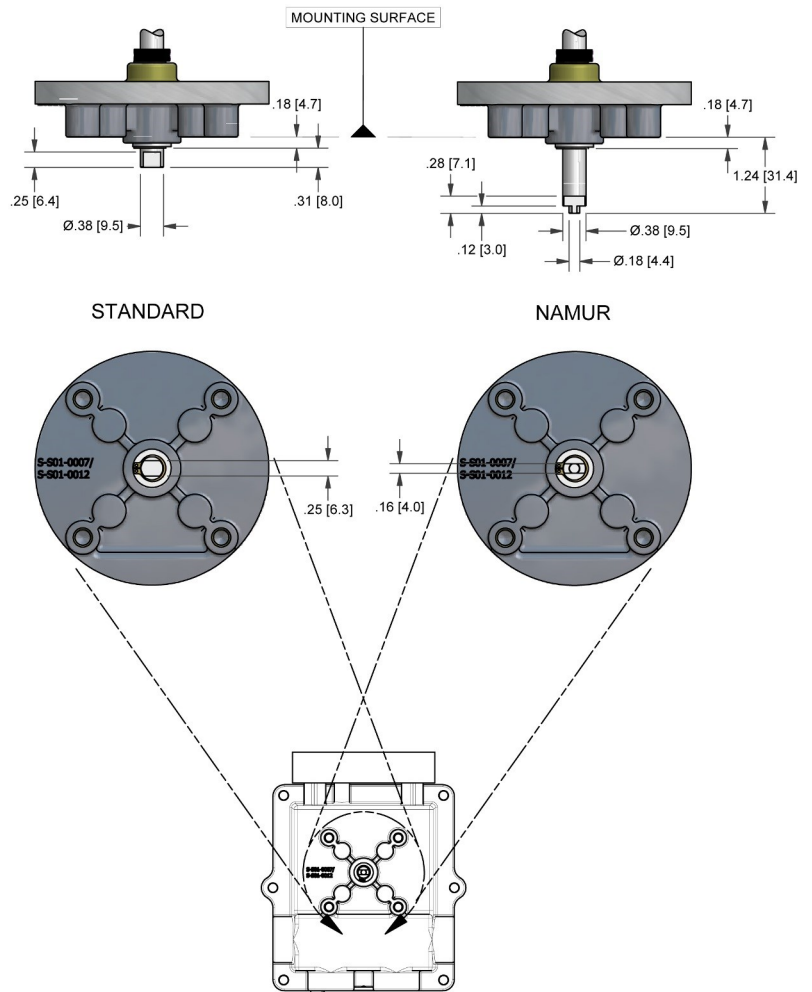
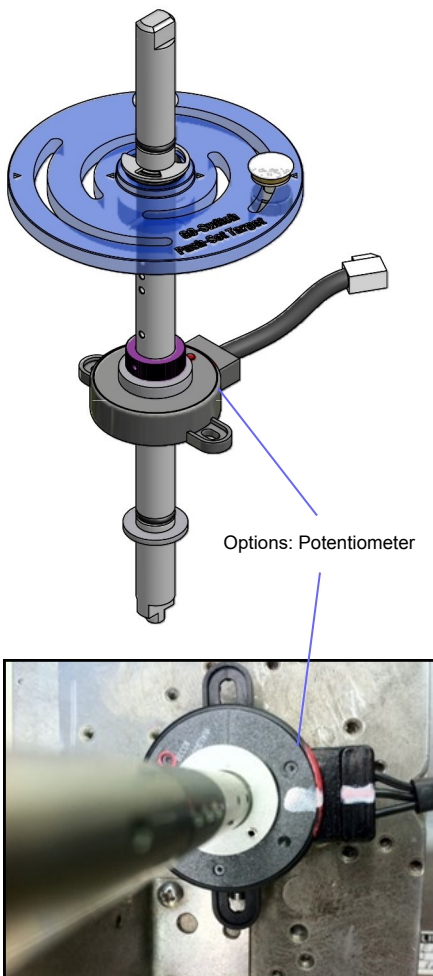
Fastener Torque Specifications	
Enclosure Housing Bolts	20 in-lbs [2.3 N·m] +/-10%
Indicator Dome Screws	20 in-oz. [2.3 N·m] +/-10%
Bottom Mounting Holes	8 ft.-lbs [10.8 N·m] +/-10%

2.4. Dimensions and Materials (Continued)

2.4.4. Indicator Assembly



2.4.5. Cam/Shaft Assembly



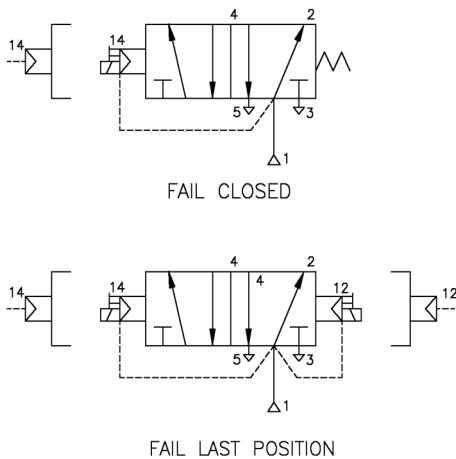
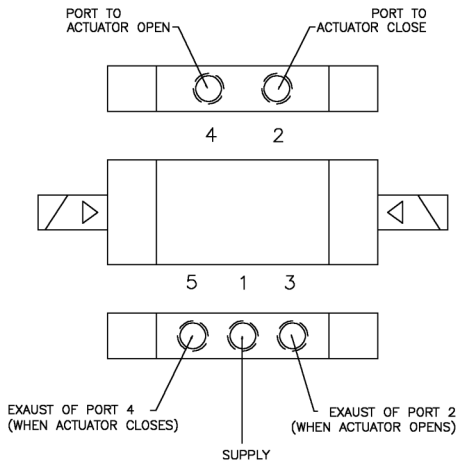
2.5. Spool Valves and Pilots

Pneumatic Hookup Procedures

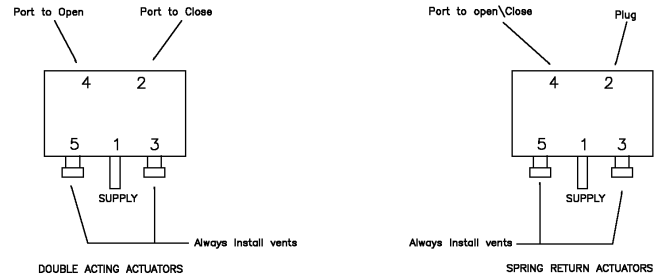
Prior to connecting the supply air to the spool valve, flush the system to remove any debris or contaminants. Galvanized pipe can easily flake and contaminate the system and therefore is not recommended. A 40 micron point of use filter at every device is recommended.

4-Way Spool Valves

The TopWorx™ spool valve is a 5 port, 4-way valve driven by an internally mounted pilot. The spool valve supply port and work ports are marked as follows:



Flame Arrestor O-ring (x4)



Highly Recommended

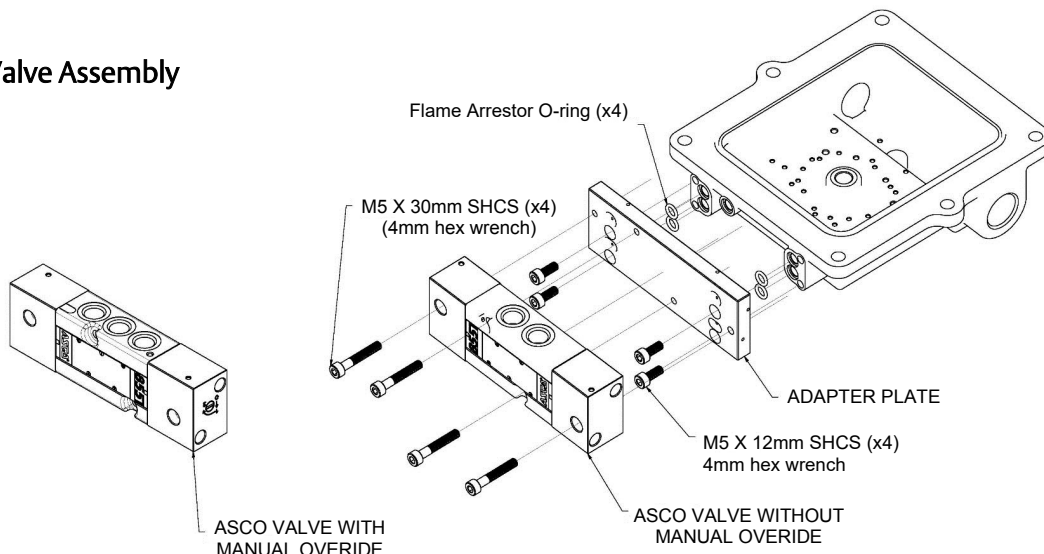
TopWorx™ highly recommends Loctite 567 brand thread sealant. Do not use a hard setting pipe compound. If Teflon thread seal tape is used, start the wrap on the second thread from the leading thread of the fitting. This will prevent tape shreds from contaminating the spool valve seals.

Breathers (AL-M31) should be installed in the exhaust ports to keep debris from falling into the spool valve and damaging the seals. This must be addressed prior to installation, or storage.

VALVE SPECIFICATIONS	
ITEM	PERFORMANCE
MEDIA	AIR
MEDIA TEMPERATURE	MIN: -40°C (-40°F); MAX: 60°C (140°F)
OPERATIONAL AMBIENT TEMPERATURE	MIN: -40°C (-40°F); MAX: 60°C (140°F)
INLET/SYSTEM PRESSURE	MIN: 45 PSI (3.1 BAR); MAX: 150 PSI (10.3 BAR)
OPERATIONAL PRESSURE DIFFERENTIAL	MIN: 45 PSI (3.1 BAR); MAX: 150 PSI (10.3 BAR)
SAFE WORKING PRESSURE	150 PSI (10.3 BAR)
FLOW / Cv (Kv)	Cv=0.86 (Kv=0.74)
BODY PORT CONNECTIONS	1/4" NPT
ALLOWABLE LEAKAGE	EXTERNAL: 2 SCCM; INTERNAL: 10 CC/MIN MAX FOR -15°C TO 60°C. 3300 CC/MIN MAX FOR -40°C TO -15°C.
OPTIMAL DESIGN LIFE	500,000 CYCLES
MATERIAL IN CONTACT W/ FLUID	BODY: ALUMINIUM (BLACK ANODIZED) AND STAINLESS STEEL 316L; INTERNAL: STAINLESS STEEL, LT NITRILE, PTFE, ACETAL.

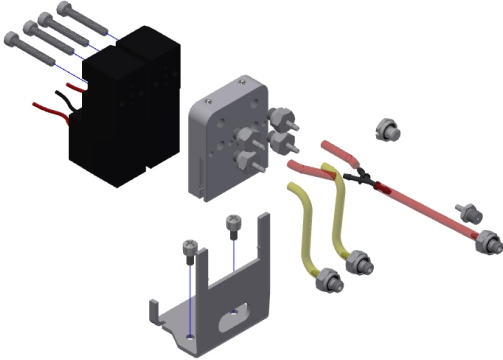
* For Explosionproof "1" approval, TopWorx recommends 80 PSI Max Operating Pressure.

Spool Valve Assembly

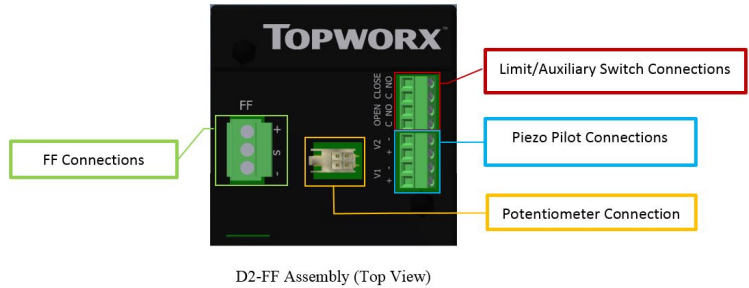


2.6. Component Replacement

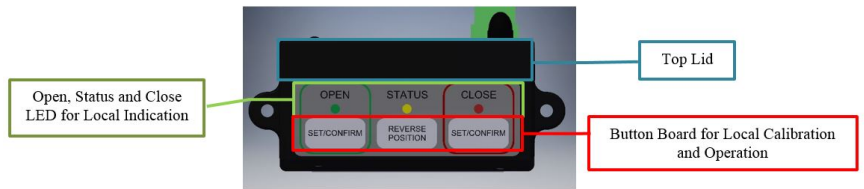
Optional Piezo Pilot Valve(s)



D2-FF Assembly

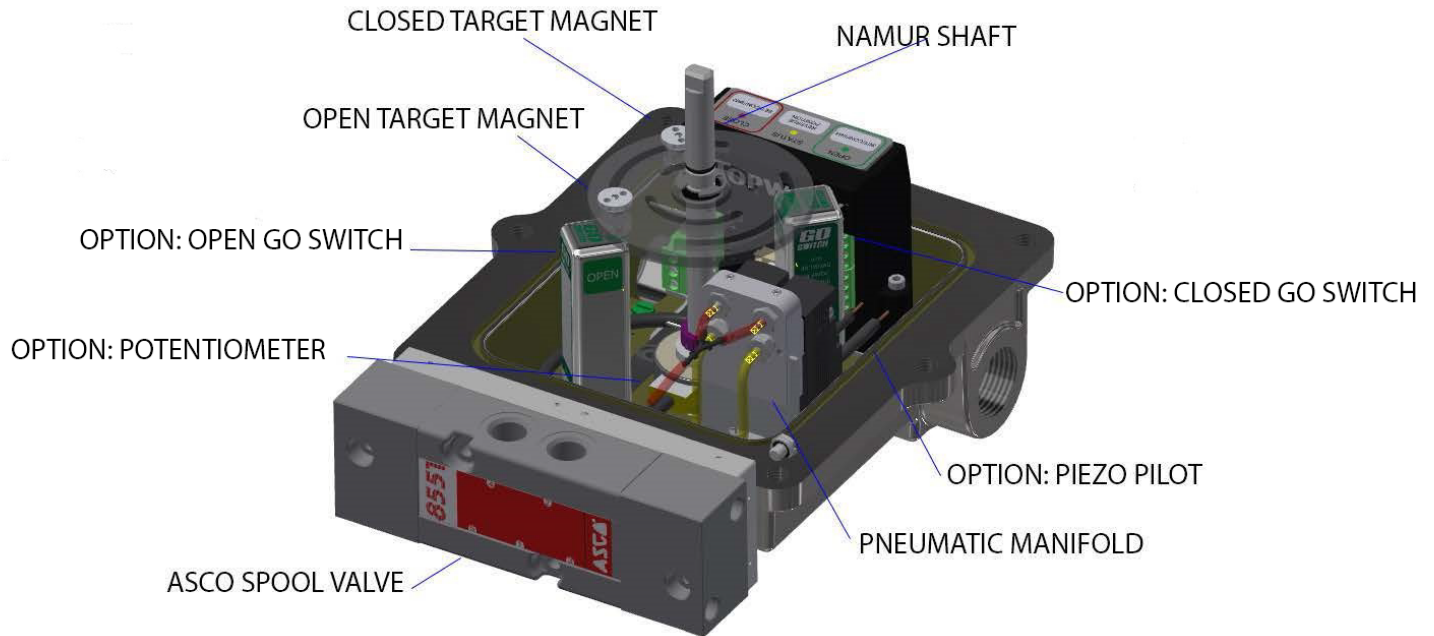


D2-FF Assembly (Top View)



D2-FF Assembly Inside a DXP Box or DXP-FF Switchbox Unit

D2-FF Assembly



D2-FF Assembly Inside a DXP Box or DXP-FF Switchbox Unit

3. Operation

This section of the manual provides operational information for configuring, control and monitoring the device locally or remotely through the FOUNDATION Fieldbus Host Control System.

3.1 Operation Mode and Function Block Assignments

Automatic (Auto) and Out of Service (OOS) mode are available for all the function blocks in FOUNDATION Fieldbus Host Control System. To operate device using function block, first set the required Function Block mode to OOS, then set the required channel number according to Table 1. After downloading the Function Block to system, set the Function Block mode to AUTO.

Note: For DI block, if “Open Indicator Input” is chosen, FIELD_VAL_D parameter will indicate Open/Close status. If “Close Indicator Input” is chosen, FIELD_VAL_D parameter will indicate reversed Open/Close status.

Function Block	Signal	Channel	Unit	ote
DO	Command to open or close	1	None	
DI	Output command readback	2	None	
	Open indicator input	3	None	
	Close indicator input	4	None	
	Auxiliary Input 1	7*	None	Activated Upon
	Auxiliary Input 2	8*	None	Enabling of Auxiliary feature
AI	Instrument temperature	5	°C	°C
	Analog position	6	%	%

*See section 3.12 for Auxiliary Input Configuration

Table 2 LED Functionality



LED Label	Off	On	Blink	Flash
STATUS	No power	Device is calibrated and full functioning	Reversing valve is in process	Calibration is required or error has occurred
CLOSE	Not in closed position	In closed position	Calibrating closed position is in process	Closed GO switch is triggered during calibration
OPEN	Not in open position	In open position	Calibrating open position is in process	Open GO switch is triggered during calibration
<p>NOTE: LED duty cycle is shown on the right.</p> <p>Flashing: LED is on for 5% of every second.</p> <p>Blinking: LED is on for 50% of every second.</p>			 <p>LED= Flashing</p>	 <p>LED= Blinking</p>

Table 3 Button Board Functionality

Activity	Function
REVERSE button pressed	Reverse valve
OPEN button pressed once	Start to calibrate open position
OPEN button pressed again	Confirm current position as open position
CLOSE button pressed once	Start to calibrate closed position
CLOSE button pressed again	Confirm current position as closed position

3. Operation (Cont.)

Table 4 Calibration Statuses

Status	Description
Calibration needed	Device is not calibrated or calibration for the other end position is needed.
Running	Device calibration is in process
Timed Out	Device calibration timed out (maximum 5 minutes)
Both triggered	Both Go switches are triggered simultaneously
Range error	Less than minimum allowed rotation range (minimum 20 degrees)
In deadband	End position is too high/low or in deadband
No sensor detected	No sensor is detected during calibration
Successful	Device is calibrated

3.2. Device Calibration (Required Configuration)

Device can be calibrated either locally using buttons (see section 3.2.1) or remotely using bus command (see section 3.2.2). A summary for LED and button board functionalities is provided in Table 2 and 3.

3.2.1. Calibrating End Positions Locally

3.2.1.1. Perform Calibration

- a. This operation is only available if Transducer Block is in OOS mode and the button board is active. If Transducer Block is in Auto mode, change the mode to OOS. If the button board is disabled, set "Buttonboard Enable" parameter to "Active in OOS".
- b. STATUS LED will flash if device is not calibrated. To start calibration procedure, identify the current shaft position by sight, press (greater than 50ms and less than 5min) either the CLOSE or OPEN button according to the position to start the calibration.
- c. If CLOSE button is pressed, CLOSE LED will blink to indicate that calibration is in process, perform the following according to sensor type to calibrate the closed end position (note that either CLOSE or OPEN position can be calibrated first):

Option #1: GO switch only case: Move magnet to trigger the closed switch (the GO switch labeled as closed position switch). CLOSE LED will flash to indicate the switch is triggered.

Option #2: Potentiometer only case: Make sure the potentiometer is not in deadband (the red dot should not fall into the red line area).

Option #3: Both GO switch and potentiometer case: Move magnet to trigger the closed switch (the GO switch labeled as closed position switch). CLOSE LED will flash to indicate the switch is triggered. Make sure the potentiometer is not in deadband (the red dot should not fall into the red line area).

Option #4: Potentiometer and Auxiliary Case: Same as option # 2. Note: Calibration must be completed prior to adding external auxiliary switches.

* Press the CLOSE button **AGAIN** to confirm the position. CLOSE LED will become solid on.

- d. Press the REVERSE button (greater than 50ms and less than 5min) to move valve to the other position. If there is a potentiometer, as the shaft rotates, make sure the potentiometer is not rotating through its deadband area. STATUS LED will blink for 3 seconds to indicate the reverse action. Note: The REVERSE button is not operational in units without integral pilot valves supplied by TopWorx. For those applications, the valve will have to be moved manually or with existing controls.

- e. Press the OPEN button and perform the following according to sensor type to calibrate the open end position (note that these steps are similar to the calibration for the closed end position):

Option #1: GO switch only case: Move magnet to trigger the open switch (the GO switch labeled as open position switch). OPEN LED will flash to indicate the switch is triggered.

Option #2: Potentiometer only case: Make sure the potentiometer is not in deadband.

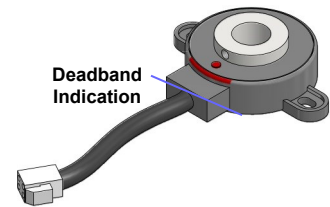
Option #3: Both GO switch and potentiometer case: Move magnet to trigger the open switch (the GO Switch labeled as open position switch). OPEN LED will flash to indicate the switch is triggered. Make sure the potentiometer is not in deadband.

Option #4: Potentiometer and Auxiliary Case: Same as option # 2. Note: Calibration must be completed prior to adding external limit/auxiliary switches.

* Press the OPEN button **AGAIN** to confirm the position. OPEN LED will become solid on.

- f. STATUS LED will become solid on if the calibration procedure is successful. It will flash if the calibration is failed. The calibration status will be shown in "Calibration Status". Please see Table 4 for the list of calibration statuses.

Note: In order to re-calibrate the device, restart - Valve Controller Defaults must be performed prior to re-calibration of device. Refer to section 3.14 for restart information.



3.2.2. Calibrating End Positions Remotely

Calibration remotely using bus command can be done through guided method (For example, from AMS or Handheld screens, see section 3.2.2.1) or manual setup (see section 3.2.2.2).

3.2.2.1. Perform Guided Calibration through Method (Recommended)

Click the method "Device Setup" or "Calibrate" on screen and follow the instructions for calibration.

3.2.2.2. Perform Calibration by Setting Parameters

- a. This operation is only available if the Transducer Block is in OOS mode. If Transducer Block is in Auto mode, change the mode to OOS.

(Section 3 Continued on next page)

3. Operation (Cont.)

- b. STATUS LED will flash if device is not calibrated. To start calibration procedure, select the “Set to current position” from either the “Open End Position” or the “Close End Position” parameter. The corresponding OPEN or CLOSE LED will blink to indicate that calibration is in process.
- c. For calibrating the “Close End Position”, perform the following according to sensor type to calibrate the closed end position (note that either the “Open End Position” or the “Close End Position” can be calibrated first):
 - Option #1: GO switch only case:** Move magnet to trigger the closed switch (the GO switch labeled as closed position switch). CLOSE LED will flash to indicate the switch is triggered.
 - Option #2: Potentiometer only case:** Make sure the potentiometer is not in deadband (the red dot should not fall into the red line area).
 - Option #3: Both GO switch and potentiometer case:** Move magnet to trigger the closed switch (the GO Switch labeled as closed position switch). CLOSE LED will flash to indicate the switch is triggered. Make sure the potentiometer is not in deadband (the red dot should not fall into the red line area).
 - Option #4: Potentiometer and Auxiliary Case:** Same as option # 2. Note: Calibration must be completed prior to adding external limit/auxiliary switches.

* The status for “Close End Position” will automatically change back to “No Action Required” if the action is performed.
- d. Select the “Reverse” from the “Reverse Valve Position” parameter. If there is a potentiometer, as the shaft rotates, make sure the potentiometer is not rotating through its deadband area. STATUS LED will blink for 3 seconds to indicate the reverse action. Note: The REVERSE button and “Reverse Valve Position” is not operational in units without integral pilot valves supplied by TopWorx. For those applications, the valve will have to be moved manually or with existing controls.
- e. Select the “Set to current position” from the “Open End Position”. (note that these steps are similar to the calibration for the closed end position):
 - Option #1: GO switch only case:** Move magnet to trigger the open switch (the GO switch labeled as open position switch). OPEN LED will flash to indicate the switch is triggered.
 - Option #2: Potentiometer only case:** Make sure the potentiometer is not in deadband.
 - Option #3: Both GO switch and potentiometer case:** Move magnet to trigger the open switch (the GO switch labeled as open position switch). OPEN LED will flash to indicate the switch is triggered. Make sure the potentiometer is not in deadband.
 - Option #4: Potentiometer and Auxiliary Case:** Same as option # 2. Note: Calibration must be completed prior to adding external limit/auxiliary switches.

* The status for “Open End Position” will automatically change back to “No Action Required” if the action is performed.
- f. STATUS LED will become solid on if the calibration procedure is successful. It will flash if the calibration failed. The calibration status will be shown in “Calibration Status”. Please see Table 4 for the list of status.

* Note that either end position can be re-calibrated/re-adjusted if the other end position is already calibrated.

3.3. End Position Deadband Adjustment

If there is a potentiometer, the end position deadband is determined by the value for “Open/Close Stop Offset” parameter. This value is adjustable. Its default value is 10% and the allowable range is 5% to 40%. For example, with the default value, if the open position is at 100 degree and the closed position is at 50 degree, then if actual value position is within $50 \pm (100-50) \times 10\% = 45-55$ degree, the “Close State” is “True”, and the “Open State” is “False”.

3.4. Reverse Valve Position

Valve position can be reversed locally by pressing the REVERSE button on the button board if it is enabled. It can also be done remotely by select-ing the “Reverse” from the “Reverse Valve” parameter when device is in OOS mode. The value for “Reverse Valve” will automatically change back to “No action” (default value) if the action is performed. STATUS LED will blink for 3 seconds to indicate the reverse action. Note: The REVERSE button is not operational in units without integral pilot valves supplied by TopWorx. For applications, the valve will have to be moved manually or with existing controls.

3.5. Flash LED

To identify a device in the plant, put Transducer Block into OOS mode and select the “Flash LED” for the “Flash LED” parameter. Status LED on the unit will blink for 5 minutes. After 5 minutes, status for “Flash LED” will automatically change back to “Finished” (default value).

3.6. Shutdown Configuration

Shutdown configuration controls the behavior of the valve in case of an internal communications failure in the electrical module. This is independent of the FF communication on the bus line. The “shutdown action” parameter is also re-used as the default position (initial status) for a device encountered a power loss.

3.6.1. Parameters and functions

- a. Shutdown enable (SHUTD_ENABLE parameter):
 - Enable, auto recovery:** If there is an internal failure, valve will move to certain position according to the setting of parameter SHUTDOWN_ACTION. When the internal failure is solved, the valve will automatically go to its current setpoint position.
 - Enable, manual recovery:** If there is an internal failure, valve will move to certain position according to the setting of parameter SHUTDOWN_ACTION. When the internal failure is solved, the valve will NOT automatically go to its current setpoint position unless SHUTD_RESET parameter is manually selected as “reset”.
 - Disable:** Shutdown functionality is not operational; the valve will stay in its last position after an internal failure.
- b. Shutdown action (SHUTD_ACTION parameter):
 - Open:** When performing shutdown operation or starting up after a power loss, valve will go to open position.
 - Close:** When performing shutdown operation or starting up after a power loss, valve will go to close position.
 - Hold:** When performing shutdown operation or starting up after a power loss, valve will stay in original position.

Note: The shutdown action is not operational in units without integral pilot valves supplied by TopWorx. For those applications, the valve will have to be moved manually or with existing controls.
- c. Shutdown delay (SHUTD_DELAY_TIME parameter):
 - The time waited to perform shutdown operation after the internal failure occurs. The default value is 5 seconds. The allowable range is from 2 to 255 seconds.

3. Operation (Cont.)

- d. Shutdown reset (SHUTD_RESET parameter):
Inactive: Shutdown reset function is not active. If “manual recovery” is selected for SHUTD_ENABLE parameter and there is an internal error, after the internal failure is solved, the valve will NOT automatically go to its current setpoint position. Device stays in shutdown status.
Reset: Shutdown reset function is active. If “manual recovery” is selected for SHUTD_ENABLE parameter and there is an internal error, after the internal failure is solved, shutdown status will be reset, and the valve will automatically go to its current setpoint position. When this reset is completed, the SHUTD_STATUS parameter will be “Device is operational” and the SHUTD_RESET parameter will return to “inactive”.
- e. Shutdown status (SHUTD_STATUS parameter):
Device operational: there is no internal error.
Device shutdown: there is internal error.

3.6.2. Examples

- a. For internal communications failure
 The factory default shutdown configuration settings are as following:
Shutdown enable: Enable, Manual Recovery
Shutdown action: Close
Shutdown delay: 5 seconds
Shutdown reset: Inactive
 If there is an internal failure, after 5 seconds, valve will move to close position according to the setting of parameter SHUTDOWN_ACTION. When the internal failure is solved, the valve will NOT automatically go to its current setpoint position unless SHUTD_RESET parameter is manually selected as “reset”.
- b. For power loss
 If the “shutdown action” is “Open”, when power is re-applied to device after a power loss, before valve receives the bus command (for example, the SP_D from DO function block), valve will go to open position.
 If the “shutdown action” is “Hold”, when power is re-applied to device after a power loss, before valve receives the bus command (for example, the SP_D from DO function block), valve will stay in the previous position, that is, the position that power is off.

3.7. Buttonboard Enable

Local operation through push buttons is only available when the button board is active. The factory default value for “Buttonboard Enable” parameter is “Active in OOS”. When device is in OOS mode, the button board can be enabled by setting the “Buttonboard Enable” parameter to “Active in OOS” or disabled by setting it to “Never active”.

3.8. Valve Position Indication

The “Analog position” parameter will indicate current valve position in percentage (the display range for AI block: -200% to +199%, the display range for TB block: 0%~100%) if there is a potentiometer and the calibration is successful, otherwise, the value is 0. The percentage is calculated as the distance in degrees from current position to close position versus the full open to close distance in degrees. The “Final Discrete Position” parameter will indicate current valve position as “Closed”, “Open”, “Opening” or “Closing”. Device will indicate “Closed” or “Open” according to the discrete position. The assigned position from DO block is indicated by “DO Command” parameter as “Close” or “Open”.

3.9. Position Sensor Type Indication

The “Position Sensor Type” parameter will indicate the sensor type detected by the device during calibration. This parameter will indicate “GO switch only”, “Potentiometer only”, “Both GO switch and potentiometer” or “Potentiometer and auxiliary input” if sensor type is detected. Otherwise, it will indicate “Not assigned” (default value).

3.10. Temperature Indication

Temperature is measured every 100 millisecond by the sensor on the circuit board and indicated as degree C by “Temperature” parameter. The allowed temperature range is -25 to +65 degree C. An alarm will be triggered if temperature is out of range (Please see the Alert section for more details). The maximum/minimum measured temperature is recorded in the device. It can be viewed through the command in base record.

3.11. Device Cycle Count, Adjustment and Control

The parameter “Cycle Count” (this parameter is read only) indicates the total end position cycles. The parameter “Adjusted Count” indicates the end position cycles after adjustment. If valve position changes from close to open and back to close, the value for both parameters will be increased by one. Users can set “Adjusted Count” to any non-negative value and the adjusted cycle count will start to increase based on this set value. Users can set a limit for them using the “Cycle Count Limit” and “Adjusted Count Limit” parameters. The default limit is 1000000 cycles. The allowed input value for “Cycle Count Limit” must be greater than the current cycle count and less than 4294967296. The allowed input value for “Adjusted Count Limit” must be greater than the current adjusted cycle count and less than 4294967296. An alarm will be triggered if the count is out of range limit (Please see the Alert section for more details).

3.12 External Limit/Auxiliary Switch Connection External Limit/Auxiliary Switch Connection

Up-to two external limit/auxiliary switches can be used when a TopWorx Switchbox incorporating Foundation Fieldbus (FF) with “potentiometer only” option is ordered. In auxiliary mode, two dry contact type switches or sensors can operate independent of each other. These auxiliary switches can be connected directly to the D2-FF device while being mounted external to the Switchbox. The auxiliary switch feature can be enabled by the following simple steps:

- Step 1:** Ensure external limit/auxiliary switches are disconnected from device prior to calibration.
- Step 2:** Next, perform a calibration on D2-FF device either locally, using a handheld or DCS Host System.
- Step 3:** Reconnect, external limit/auxiliary feature to D2-FF device.
- Step 4:** Using handheld field communicator or AMS, go to Configure->Manual Setup->Auxiliary Function->Enable/Disable Auxiliary Function and set it to Enable. This enables two DI Blocks channel 7 and 8 mapped from open and close limit switch connection input respectively.
- Step 5:** Auxiliary Function can be disabled by setting Enable/Disable Auxiliary Function to disable.

3.13 Timers

There are 3 timers available in this device:

Time in position: the time in seconds that device is in current position since the last movement. It is automatically reset to zero when the power is switched off.

Open travel time: the time between when pilot valve position is changed due to request and when the open end position is reached. It is indicated in seconds with accuracy in 10 milliseconds.

Close travel time: the time between when pilot valve position is changed due to request and when the close end position is reached. It is indicated in seconds with accuracy in 10 milliseconds.

3. Operation (Cont.)

These values are important in determining abnormal events that recently occurred. For example, a temporary drop in pressure or a sticky process valve (valve that has been left in the same position for a long time without cycling) will affect the performance of the last operation of the valve, but does not necessarily mean the mechanical device is worn out. The average open/close travel time (in seconds) of the last 30 strokes is calculated and indicated in parameter "Average Time". Process valve/actuators typically wear out at a constant steadily pace. A good indication of wear will be the average travel times since the change is slow, but constant. Users can set an upper limit for "Time in position" using the "Time in Position Hi Limit" parameter. The default value is 864000 seconds (10 days). The allowed input value must be less than 4294967296. Users can also set the low/high limits for the open/close travel time and the average open/close travel time using their "Travel Lo Limit" and "Travel Hi Limit" parameters. The default value is 0 for the low limit and 300 seconds for the high limit. The allowed input value must be less than 65536. An alarm will be triggered if any time value is out of range limit (Please see the Alert section for more details).

3.14 Field Diagnostic Alerts/Plantweb Alerts

3.14.1. List of Alerts

Check: The Check condition is true if any transducer block has a normal mode other than Out of Service and the actual mode is not AUTO.

Calibration Failed: Device has not been calibrated or the calibration has failed. Please refer to Table 4 Calibration Statuses for the reason of failure.

Bad Temperature Sensor: Temperature sensor is malfunctioning. Temperature value is not reliable.

System Temperature Exceeded: Maximum/minimum temperature exceeds the value set in the limit.

Software Error: Controller card memory error occurs.

Travel Deviation:

- a. Valve/actuator moves to an undesired position. For example, the device energizes an output to OPEN a spring return actuator. The position feedback indicates the device has reached the OPEN position. Afterwards, air pressure is lost and the actuator moves back to the CLOSED position (spring-return). The position feedback sensor will indicate the actuator is in the CLOSED position although a command to CLOSE the actuator has never been issued. In this situation a Travel Deviation alert will be generated indicating the actuator was in a desired position, but moved to an undesired position.
- b. Valve/actuator doesn't move to a desired position. For example, the device energizes an output to OPEN a spring return actuator. But the air pressure is lost so the actuator doesn't move. After 5 minutes, the position feedback indicates the device still has not reached the OPEN position. Travel Deviation alert will be generated indicating the actuator can not move to a desired position.

Shutdown is Set: Device shutdown is operating due to an internal communications failure in the electrical module.

Buttonboard Failure: Button board is malfunctioning.

Open/Short Circuit: There is an open circuit for the main Piezo or there is a short circuit for any Piezos. If there is an open circuit or the main Piezo, only this alert is triggered. Device will automatically operate as normal once there is no open circuit for the main Piezo. If there is a short circuit for any Piezos, device will power off both Piezos. Device will return to normal Piezo operation only if no short circuit is detected after a power cycle.

Adjusted Cycle Count Exceeded: Adjusted cycle count has exceeded the value set in the limit.

Control Module Life Cycle Exceeded: Cycle count has exceeded the value set in the limit.

Time in Position Limit Exceeded: Time value has exceeded the value set in the limit.

Open Travel Time Limit Exceeded: Time value has exceeded the value set in the limit.

Close Travel Time Limit Exceeded: Time value has exceeded the value set in the limit.

Internal I/O Failure: Internal communications are lost; device will act according to shutdown configuration.

NV Memory Failure: Non-volatile EEPROM data corruption was detected on the Fieldbus electronics board. Default values were loaded into the faulty block. If the failure reoccurs it may indicate a faulty EEPROM memory chip.

Electronics Failure: The device has detected a fault with an electrical component on the Fieldbus electronics module assembly.

Note: The Travel Deviation and Open/Short Circuit Alerts are not monitored in units without integral pilot valves supplied by TopWorx. For those applications, the valve will have to be moved manually or with existing controls.

3.14.2. Alert handling

Both field diagnostics and PlantWeb alerts are supported in this device. Although these alerts have default settings (see table 5), these can be changed by the customer to match their requirements.

For field diagnostic alerts, there are four levels of alerts available:

a. Failed Alerts

A Failure Alert indicates a failure within a device that will make the device or some part of the device non-operational. This implies that the **device is in need of repair and must be fixed immediately**.

This alert has the following five parameters:

FD_FAIL_MAP: Enables or disables conditions to be detected as active for this alarm category. Thus the same condition may be active in all, some, or none of the alarm categories.

FD_FAIL_MASK: allows the user to suppress any single or multiple conditions that are active, in this category, from being broadcast to the host through the alarm parameter.

FD_FAIL_PRI: Designates the priority.

FD_FAIL_ACTIVE: Reflects the error conditions that are being detected as active as selected for this category. Multiple conditions may be shown.

FD_FAIL_ALM: To report the particular failed condition to the host system.

3. Operation (Cont.)

- b. Off Spec Alerts
 An Off Spec Alert indicates a condition within a device that is out of the range of the specification. The alert is used to notify the host that the **device has detected a condition** within the device **that is not critical**, will not cause a failure if left unattended but should be reported to the host for awareness and possible action.
 This alert has the following five parameters:
FD_OFFSPEC_MAP: Enables or disables conditions to be detected as active for this alarm category. Thus the same condition may be active in all, some, or none of the alarm categories.
FD_OFFSPEC_MASK: allows the user to suppress any single or multiple conditions that are active, in this category, from being broadcast to the host through the alarm parameter.
FD_OFFSPEC_PRI: Designates the priority.
FD_OFFSPEC_ACTIVE: Reflects the error conditions that are being detected as active as selected for this category. Multiple conditions may be shown.
FD_OFFSPEC_ALM: To report the particular failed condition to the host system.
- c. Maintenance Alerts
 A Maintenance Alert indicates a condition within a device that, if not attended to in the near future (the type of alert defines the time period for "Near Future") will make the device or some part of the device non-operational. This implies that the **device is in need of repair and must be fixed as soon as possible**.
 This alert has the following five parameters:
FD_MAINT_MAP: Enables or disables conditions to be detected as active for this alarm category. Thus the same condition may be active in all, some, or none of the alarm categories.
FD_MAINT_MASK: allows the user to suppress any single or multiple conditions that are active, in this category, from being broadcast to the host through the alarm parameter.
FD_MAINT_PRI: Designates the priority.
FD_MAINT_ACTIVE: Reflects the error conditions that are being detected as active as selected for this category. Multiple conditions may be shown.
FD_MAINT_ALM: To report the particular failed condition to the host system.
- d. Check Alerts
 A Check Alert indicates **output signal temporarily invalid** (e.g. frozen) due to on-going work on the device. This alert has the following five parameters:
FD_CHECK_MAP: Enables or disables conditions to be detected as active for this alarm category. Thus the same condition may be active in all, some, or none of the alarm categories.
FD_CHECK_MASK: allows the user to suppress any single or multiple conditions that are active, in this category, from being broadcast to the host through the alarm parameter.
FD_CHECK_PRI: Designates the priority.
FD_CHECK_ACTIVE: Reflects the error conditions that are being detected as active as selected for this category. Multiple conditions may be shown.
FD_CHECK_ALM: To report the particular failed condition to the host system.
- For Plantweb alerts, there are three levels of alerts available:**
- a. Failed Alerts
 A Failure Alert indicates a failure within a device that will make the device or some part of the device non-operational. This implies that the **device is in need of repair and must be fixed immediately**.
 This alert has the following five parameters:
FAILED_ENABLE: Enable the indication and reporting.
FAILED_MASK: Suppress reporting.
FAILED_PRI: Designates the priority.
FAILED_ACTIVE: Displays which of the conditions within the alert is active.
FAILED_ALM: To report the particular failed condition to the host system.
- b. Maintenance Alerts
 A Maintenance Alert indicates a condition within a device that, if not attended to in the near future (the type of alert defines the time period for "Near Future") will make the device or some part of the device non-operational. This implies that the **device is in need of repair and must be fixed as soon as possible**.
 This alert has the following five parameters:
MAINT_ENABLE: Enable the indication and reporting.
MAINT_MASK: Suppress reporting.
MAINT_PRI: Designates the priority.
MAINT_ACTIVE: Displays which of the conditions within the alert is active.
MAINT_ALM: To report the particular failed condition to the host system.
- c. Advisory Alerts
 An Advisory Alert indicates a condition within a device that is informational in nature. The alert is used to notify the host that the **device has detected a condition** within the device **that is not critical**, will not cause a failure if left unattended but should be reported to the host for awareness and possible action.
 This alert has the following five parameters:
ADVISE_ENABLE: Enable the indication and reporting.
ADVISE_MASK: Suppress reporting.
ADVISE_PRI: Designates the priority.
ADVISE_ACTIVE: Displays which of the conditions within the alert is active.
ADVISE_ALM: To report the particular failed condition to the host system.

(Section 3 Continued on next page)

3. Operation (Cont.)

3.14.3. Alert parameter description

a. Alerts – Enable/Map

These parameters are used to enable the indication and reporting of each corresponding alert. When an alert is disabled, the device shall not detect that particular alert; it shall not be indicated in the xxxx_ACTIVE parameters or be reported via respectively alerts. If an alert enable parameter is changed to “disabled” while the alert is active, it shall clear the alert and re-evaluate the alert.

b. Alerts - Mask

These parameters will mask any of the failed conditions listed in respectively alerts.

Setting a bit to true will cause the corresponding alert to be indicated in the xxxx_ACTIVE parameters but not reported to the host via the alerts. If an alert mask is changed while the alert is active, the alert is cleared and all the conditions are reevaluated.

c. Alerts - Priority

This designates the priority of the alerts. The default is 0 and the recommended value is between 10 and 15. If left as initial value, no alerts will be delivered to the HOST.

d. Alerts - Active

These parameters display which of the conditions is active. When a device detects a condition has become active, it shall set the corresponding bit in the xxxx_ACTIVE parameters. If it is not suppressed/masked, it will be reported using the associated alert parameter. These parameters are read only.

e. Alerts - Alarm

These parameters are used to report the particular condition to the host. These parameters are read only.

3.13.4. Recommended Actions and Default Settings for Alerts. Please see the **Table 5 below** for the recommended actions and default settings for all alerts. **Note: Enabling/disabling and masking for PlantWeb Alerts follow the NAMUR Field Diagnostics alerts and are not independent. However, the alarm priorities are independent such that it is possible to get "double" or no alerts.**

Table 5 Recommended Actions and Default Setting/Mapping for Alerts (Note that no alert is masked in factory default settings)

Alerts	Recommended Actions	Default Enabled Alert						
		Field Diagnostic				Plantweb		
		Failed	Off Spec	Maint.	Check	Failed	Maint.	Advisory
Check	Check transducer block mode.				✓			✓
Calibration Failed	Calibration required or failed, check calibration status for reasons, check air pressure, check valve system, re-calibrate valve controller.			✓				✓
Bad Temperature Sensor	Temperature sensor is not functioning, replace valve controller when possible.	✓				✓		
System Temperature Exceeded	Temperatures too high/low, take corrective actions to bring temperature within specified range.		✓				✓	
Software Error	Software error detected, cycle power, if problem persists, replace valve controller when possible.	✓				✓		
Travel Deviation	Lost position, check air pressure, check shaft assembly and position, check open/close go switch and/or potentiometer connection if available.	✓				✓		
Shutdown is Set	Internal communications problem, check shutdown configuration for restart, if problem persists after restart, replace valve controller when possible.	✓				✓		
Buttonboard Failure	Button board is not functioning correctly, replace valve controller when possible.	✓				✓		
Open or Short Circuit	Output to pilot valve disabled because of open/short circuit, check pilot valve connection. Replace malfunctioning Piezo. When short circuit issue is resolved, device must be power cycled.	✓				✓		
Adjusted Cycle Count Exceeded	Adjusted cycle counter exceeded limit, re-assign limit or re-adjust cycle count.		✓				✓	

(Section 3 Continued on next page)

3. Operation (Cont.)

Table 5 Recommended Actions and Default Setting/Mapping for Alerts (Cont.) (Note that no alert is masked in factory default settings)

Alerts	Recommended Actions	Default Enabled Alert						
		Field Diagnostic				Plantweb		
		Failed	Off Spec	Maint.	Check	Failed	Maint.	Advisory
Control Module Life Cycle Exceeded	Valve controller life cycle exceeded limit, replace valve controller. Recommend complete switchbox replacement.		✓				✓	
Time in Position Limit Exceeded	Time in position exceeded, check control system configuration, and check valve and valve actuator.		✓				✓	
Open Travel Time Limit Exceeded	Open travel timer exceeded, check air pressure, check shaft assembly and position, check open/close go switch and/or potentiometer connection if available.		✓				✓	
Close Travel Time Limit Exceeded	Close travel timer exceeded, check air pressure, check shaft assembly and position, check open/close go switch and/or potentiometer connection if available.		✓				✓	
Internal I/O Failure	Internal communications are lost; valve controller will act according to shutdown configuration. If problem persists, replace valve controller when possible.	✓				✓		
NV Memory Failure	Non-volatile EEPROM data corruption was detected on the Fieldbus Electronics Board. Default values were loaded into the faulty block. 1. Check the device configuration for changes in the block parameter values. 2. Reset the processor to clear the error. 3. Download a Device Configuration. NOTE: If the failure reoccurs it may indicate a faulty EEPROM memory chip.	✓				✓		
Electronics Failure	The valve controller has detected a fault with an electrical component on the Fieldbus Electronics Module Assembly. Replace the valve controller.	✓				✓		

(Table 5 Continued on next page)

3. Operation (Cont.)

3.15. Restart Methods

You can restart the module via different mechanisms. Depending on which restart option is used; the communication links, static parameters, etc. may be affected. However, due to the effect that a restart can have on the module, and therefore the process, restarting the module should be used cautiously.

3.15.1. Restart using bus command

There are several Restart options as described below. This can be done via parameter RESTART in the Resource block. The following is a brief description for each of the restart options:

- a. Resource
Performing a "Resource"-restart resets the dynamic variables in the Function Blocks but has no observable effect on the module. However, the dynamic variable within the module are reset and this could cause a "bump" in your process.
- b. Defaults
Performing a "Restart with Defaults" should be done with care. This restart sets the static parameters of the function blocks in the module to their default state. It also disconnects all links within the module. After performing a "Restart with Defaults", a "Restart Processor" should be performed.
- c. Processor
Performing a "Restart Processor" has the same effect as removing power from the module and re-applying power. This is typically used to restart the module if device shutdown is set due to internal communication lost caused by incorrect power application.
- d. Valve Controller Processor
Performing a "Valve Controller Processor"-Restart has the same effect as removing power from the module and re-applying power. This is typically used to restart the control part of the module.
- e. Valve Controller Defaults
Performing a "Valve Controller Defaults"-restart should be done with care. This restart sets the calibration to default. It will erase the calibration information. It has the same effect as "restart locally using buttons" in the following subsection.
- f. Restore Factory Default Blocks
Performing "Restore Factory Default Blocks" restores default blocks i.e. manufacturer pre-instantiated blocks. It will clear complete NV memory of device and this will result in NV Memory Failure error. **To clear this error in device, a "Restart Processor" should be performed.**

3.15.2. Restart locally using buttons

To set valve controller to factory default locally using buttons: power off device, push both OPEN and CLOSE buttons, power on device, release buttons when status LED is on.

3.16. Device Options

3.16.1. Enable/disable field diagnostics alerts simulation

This method will enable/disable field diagnostics alerts simulation.

3.16.2. Enable/disable access to the TB base record parameter

This method will enable/disable access to the Transducer Block base record parameter.

3.17. Base Record Methods

3.17.1. Get current real position: get position in percentage.

3.17.2. Get open endpoint: Get open endpoint in degrees. Due to 18 degrees dead band, the range is from 0 to 341.

3.17.3. Get close endpoint: Get close endpoint in degrees.

3.17.4. Get minimum temperature ever in degree C.

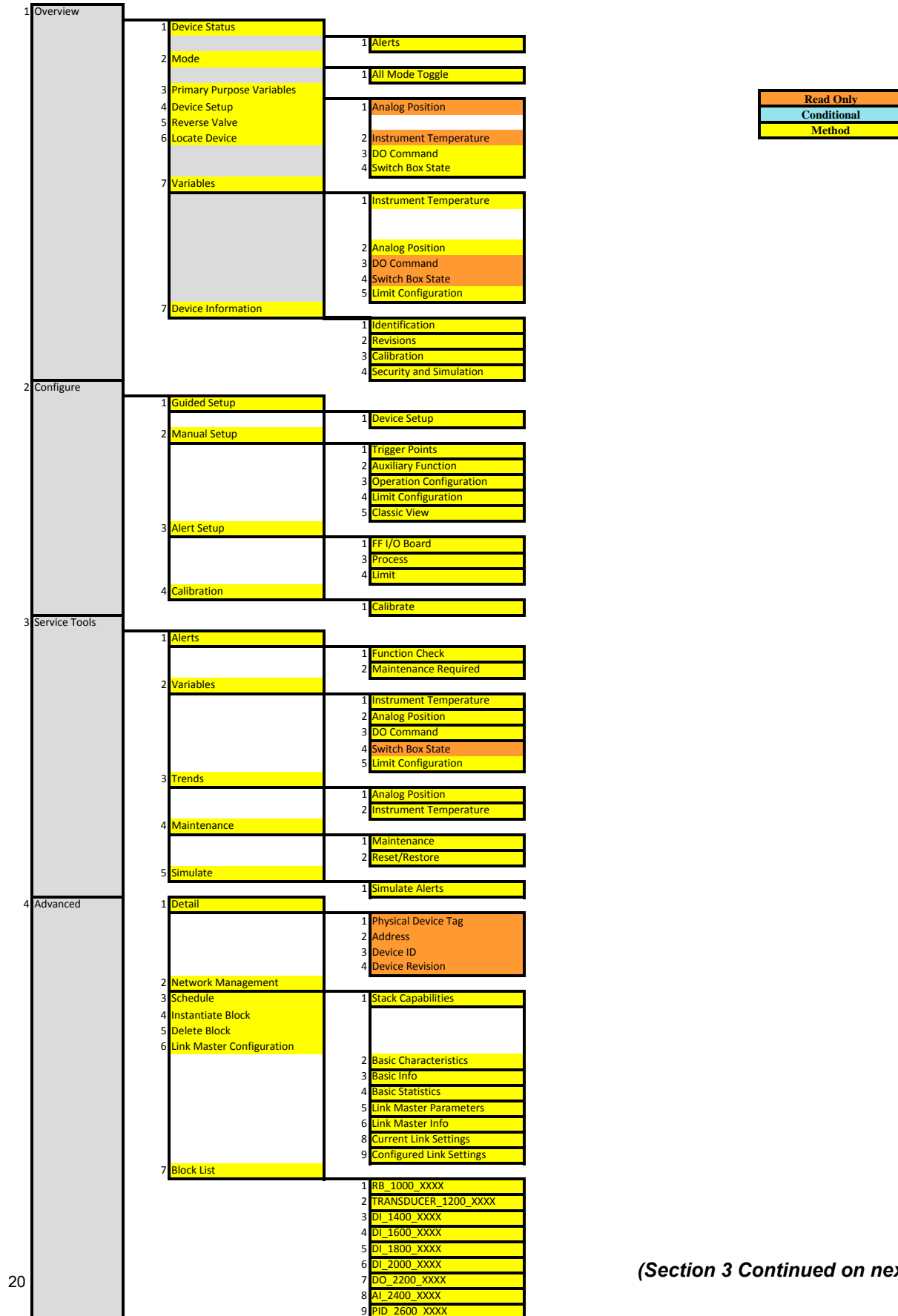
3.17.5. Get maximum temperature ever in degree C.

3.18. DD Version Info

This method will show the build number, date and info for the device description files.

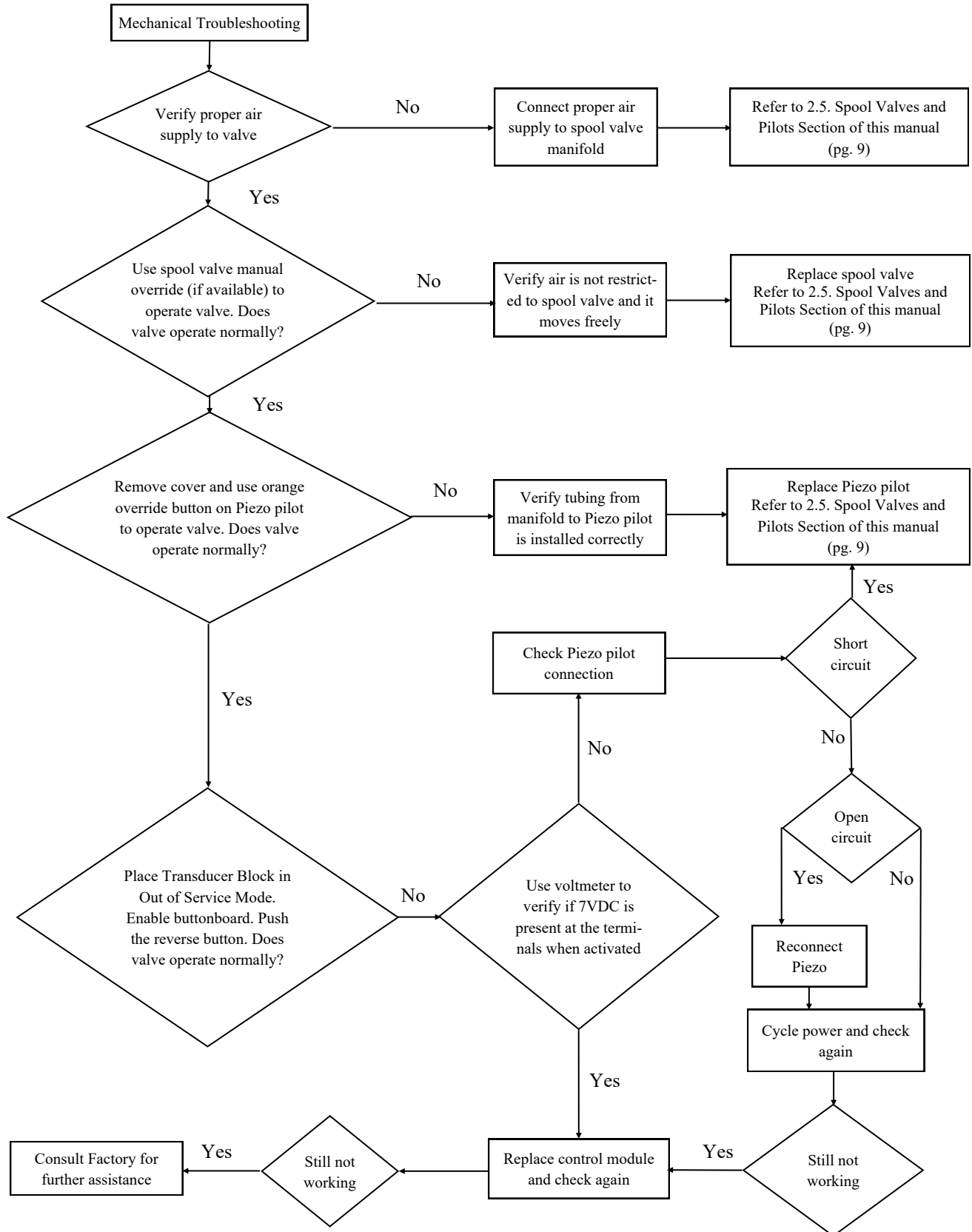
3. Operation (Cont.)

3.19. Menu structure for handheld devices and host systems that support DD menus



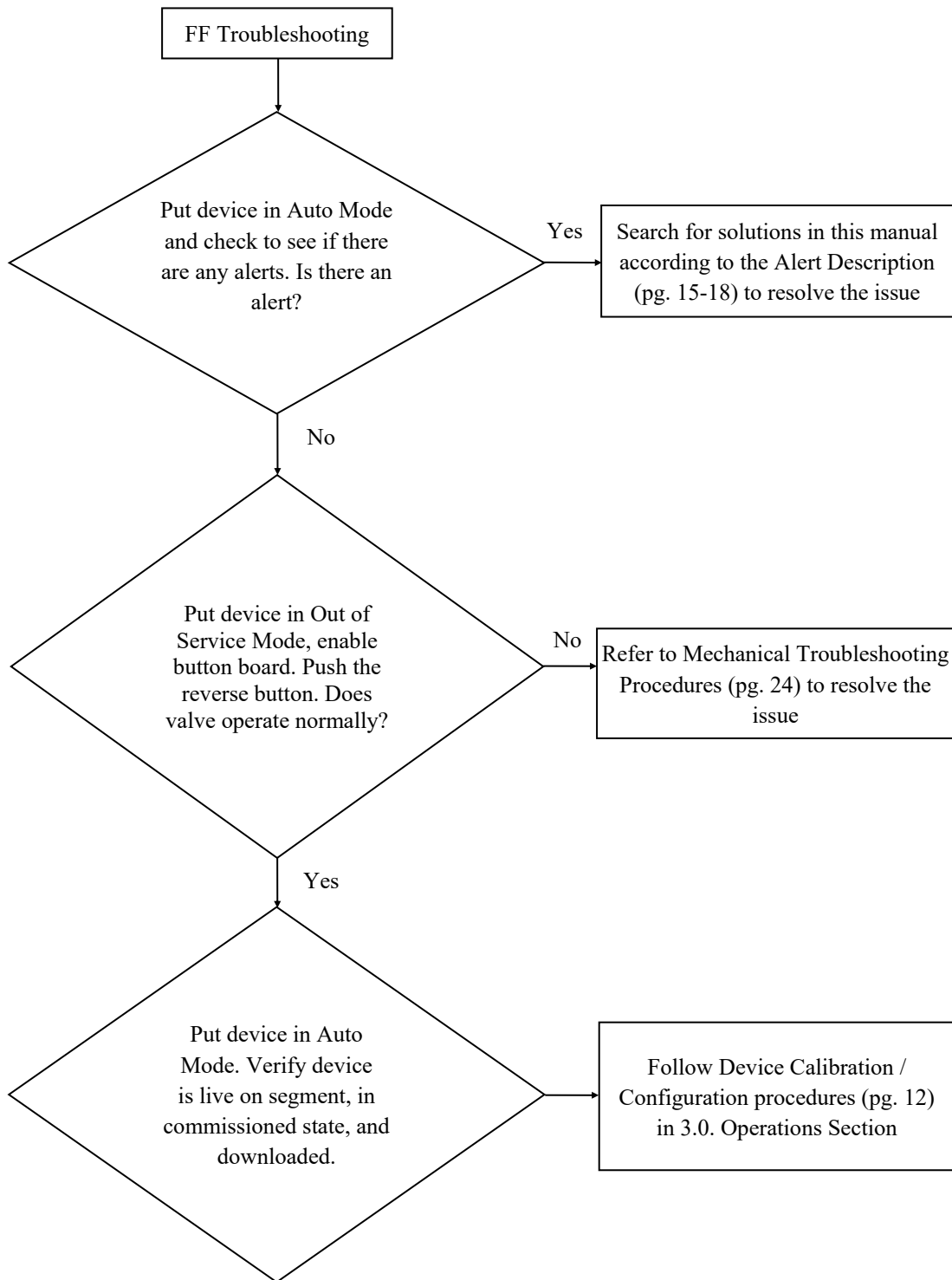
3. Operation (Cont.)

3.20. Troubleshooting



3. Operation (Cont.)

3.20. Troubleshooting (Cont.)



3. Operation (Cont.)

3.20. Troubleshooting (Cont.)

Problem: Calibration status is: Calibration needed

Analysis: Device is not calibrated or calibration for the other end position is needed. Device calibration has failed or has not been finished.

Solution: Redo calibration for both open and closed end positions. If after calibration, it still shows the same message, check GO switch or potentiometer connections.

Problem: Calibration status is: Running

Analysis: Device calibration is in process.

Solution: Finish the calibration. If unable, wait 5 minutes for the device calibration to time out, then start the calibration process over.

Problem: Calibration status is: Timed Out

Analysis: Device calibration timed out (maximum 5 minutes). Device calibration has not been finished within 5 minutes.

Solution: Redo calibration.

Problem: Calibration status is: Both triggered

Analysis: Both Go switches are triggered simultaneously.

Solution: Check magnet position or go switch wiring.

Problem: Calibration status is: Range error

Analysis: Distance between the open and closed position is less than minimum allowed rotation range (20 degrees).

Solution: Redo calibration. During calibration, make sure the distance in degree between open and closed position is greater than 20 degrees, and make sure the red dot does not go through or fall into the red line area when confirming open/closed position.

Problem: Calibration status is: In deadband

Analysis: The red dot on potentiometer falls into the red line area when confirming open/closed position.

Solution: Redo calibration. During calibration, make sure the distance in degree between open and closed position is greater than 20 degrees, and make sure the red dot does not fall into the red line area when confirming open/closed position.

Problem: Calibration status is: No sensor detected

Analysis: No sensor is detected during calibration.

Solution: Check wire connections. Redo calibration. During calibration, for those with go switches, make sure go switch is triggered; for those with potentiometer, make sure the red dot does not fall into the red line area.

Problem: Active alert is: Check

Analysis: Transducer block is in OOS mode and resource block is in AUTO mode.

Solution: Put transducer block into AUTO mode.

Problem: Active alert is: Calibration Failed

Analysis: Calibration is required or the calibration procedure has failed

Solution: Re-calibrate valve controller. Check calibration status for reasons. Check air pressure. Check valve system.

Problem: Active alert is: Bad Temperature Sensor

Analysis: Valve Controller circuit board temperature sensor is not functioning properly.

Solution: Temperature sensor problem, replace valve controller when possible.

Problem: Active alert is: System Temperature Exceeded

Analysis: Valve controller circuit temperature range has been exceeded. Temperature is too high or too low.

Solution: Temperature is too high or too low. Take corrective actions to bring valve controller temperature within specified range.

Problem: Active alert is: Software Error

Analysis: Software error has been detected.

Solution: Cycle power to valve controller. If problem persists, replace valve controller.

Problem: Active alert is: Travel Deviation

Analysis: Current shaft position is not correct or not detected.

Solution: Check air pressure. Check shaft assembly and position. Check Open and Close Go Switch connections (if GO switches are available). Check potentiometer connection (if potentiometer is available).

Problem: Active alert is: Shutdown is Set

Analysis: Device has internal communication failure.

Solution: Internal communications problem, check shutdown configuration for restart. If problem persists after restart, replace valve controller when possible.

Problem: Active alert is: Buttonboard Failure

Analysis: Button board is not functioning correctly.

Solution: Replace valve controller when possible. Make sure button board is activated in Transducer Block.

3. Operation (Cont.)

3.20. Troubleshooting (Cont.)

Problem: Active alert is: Open/Short Circuit

Analysis: Output to pilot valve disabled because of short/open circuit.

Solution: Check pilot valve connection. Possible Piezo Valve malfunction, replace. Note: When short circuit or open circuit issue is resolved, valve controller must be power cycled.

Problem: Active alert is: Adjusted Cycle Count Exceeded

Analysis: Adjusted cycle counter limit has been exceeded.

Solution: Adjusted cycle counter exceeded, re-assign limit or re-adjust cycle count.

Problem: Active alert is: Control Module Life Cycle Exceeded

Analysis: Valve controller life cycle has been exceeded.

Solution: Valve controller life cycle exceeded, replace valve controller. Recommend complete switchbox replacement.

Problem: Active alert is: Time in Position Limit Exceeded

Analysis: Set time that valve has been in one position has been exceeded.

Solution: Time in position exceeded. Check control system configuration. Check valve and valve actuator.

Problem: Active alert is: Open Travel Time Limit Exceeded

Analysis: Time to reach open position has been exceeded.

Solution: Check air pressure. Check shaft assembly and position. Check Open and Close GO switch connections if GO switches are available. Check potentiometer connections if it is available.

Problem: Active alert is: Close Travel Time Limit Exceeded

Analysis: Time to reach close position has been exceeded.

Solution: Check air pressure. Check shaft assembly and position. Check Open and Close GO switch connections if GO switches are available. Check potentiometer connection if it is available.

Problem: Active alert is: Internal I/O Failure

Analysis: Loss of device internal communications.

Solution: Internal communications are lost. Device will act according to shutdown configuration. Replace valve controller when possible if problem persists.

Problem: Active alert is: NV Memory Failure

Analysis: Non-volatile EEPROM data corruption was detected on the Fieldbus electronics board. Default values were loaded into the faulty block. Restart "Restore Factory Default Blocks" may have been performed.

Solution: Check the device configuration for changes in the block parameter values. Perform Restart "Processor" in resource block to clear the error. NOTE: If the failure reoccurs it may indicate a faulty EEPROM memory chip.

Problem: Active alert is: Electronics Failure

Analysis: The device has detected a fault with an electrical component on the Fieldbus electronics module assembly.

Solution: Replace the valve controller.

Problem: Potentiometer does not move as the shaft moves.

Analysis: Shaft is loose from potentiometer

Solution: Tighten set screw using an Allen wrench.

Problem: Status LED does not illuminate

Analysis: Bad LED or button board. Bad control module.

Solution: Apply power to device. Make sure at least 9VDC is connected to FF terminals. Cycle power. Change button board or control module.

Problem: Status LED is flashing.

Analysis: There are alerts.

Solution: Check calibration status. Put device to Auto mode and check for field diagnostics alerts. Take action to remove alerts.

Problem: Sensor type is wrong.

Analysis: Bad calibration.

Solution: Restart valve controller to factory default and redo calibration. During calibration, for those with go switches, make sure go switch is triggered; for those with potentiometer, make sure the red dot does not fall into the red line area. If problem persists, check wire connections.

Problem: Valve shifts according to control system command but is not moving after pushing reverse button

Analysis: Device is in incorrect mode

Solution: Change device to OOS mode and make sure button board is enabled.

3. Operation (Concluded)

3.20. Troubleshooting (Cont.)

Problem: Valve shifts according to reverse button push but is not moving after sending reverse command

Analysis: Device is not commissioned

Solution: Commission the device.

Problem: Valve will not shift due to reverse button push or reverse command

Analysis: Check electrical and mechanical setup

Solution: 1) Put device to Auto, check if there is alerts such as open/short circuit or NV memory error. If yes, fix it.

2) Put device to OOS, enable buttonboard. Check the voltage supply to Piezos while pushing reverse button several times.

3) Verify proper air supply to valve, verify air is not restricted to spool valve and it moves freely, and verify tubing from manifold to Piezo pilot is installed correctly.

Problem: Potentiometer rotates through the deadband during calibration.

Analysis: Analog position will not change between 0 to 100%.

Solution: Redo calibration.

Problem: Analog position is not correct.

Analysis: Calibration error.

Solution: Make sure there is a potentiometer and it is calibrated correctly. Redo calibration if needed. Please note that the display range for AI block is -200% ~199%, the display range for TB block is 0% ~100%.

Problem: Device shifts to un-wanted position on a power cycle.

Analysis: Shutdown action is not configured correctly.

Solution: Reconfigure shutdown action and test it by cycling power.

Problem: Buttonboard is not functioning

Analysis: Device is in Auto mode. Buttonboard is not enabled or bad.

Solution: Put device to Out of Service mode and enable buttonboard. If still not working, replace buttonboard or control module.

Problem: Parameter writing error occurs for "Simulation" parameter

Analysis: The Field Diagnostics Alerts Simulation has not been enabled in "Device options" method.

Solution: Use "Device options" method to enable Field Diagnostics Alerts simulation, then put Simulation parameter to Enabled.

Problem: Cannot write a parameter or perform an action.

Analysis: Value is out of range. The block is not in the right mode or there is NV memory error.

Solution: Make sure the value for this parameter is a valid value. Put transducer block or resource block into the OOS mode and write parameter again. If still not working, put resource block into AUTO mode, check FD_FAIL_ACTIVE for NV Memory Failure. If there is NV Memory Failure, restart processor.

Problem: Losing calibration.

Analysis: Restart "Valve Controller Defaults" has been performed.

Solution: Need recalibration.

Appendix A: Resource Block Parameters

The resource block contains the hardware specific characteristics associated with a device. It has no input or output parameters. This block of contained parameters includes such things as Manufacturer's ID and revision information. Below is a complete listing of the Resource Block Parameters.

Index	Name	Type	Description	Units	Initial Values
1	ST_REV	Unsigned 16	The revision level of the static data associated with the function block. The revision value will be incremented each time a static parameter value in the block is changed.	None	0
2	TAG_DESC	Octet String (32 bytes)	The user description of the intended application of the block.	None	
3	STRATEGY	Unsigned 16	The strategy field can be used to identify grouping of blocks. This data is not checked or processed by the block.	None	0
4	ALERT_KEY	Unsigned 8	The identification number of the plant unit. This information may be used in the host for sorting alarms, etc.	None	0
5	MODE_BLK		The actual, target, permitted, and normal modes of the block. Target: The mode to "go to" Actual: The mode the "block is currently in" Permitted: Allowed modes that target may take on Normal: Most common mode for target	None	- TARGET (OOS) - ACTUAL (OOS) - PERMITTED (Auto OOS) - NORMAL (Auto)
6	BLOCK_ERR	Bit String (2 bytes)	This parameter reflects the error status associated with the hardware or software components associated with a block. It is a bit string, so that multiple errors may be shown.	None	OOS
7	RS_STATE	Unsigned 8	State of the function block application state machine. Possible values: Uninitialized Start Restart: State entered after detection of restored power. Initialization: State entered from restart or failure condition. Online Linking: State entered to evaluate status of defined links Online: Normal operation, all links established Standby: Resource block mode is Out of Service Failure: Memory or hardware failure detected	None	Standby
8	TEST_RW		Read/write test parameter - used only for conformance testing.	None	0
9	DD_RESOURCE	Visible String (32 bytes)	String identifying the tag of the resource which contains the Device Description for this resource.	None	
10	MANUFAC_ID	Unsigned 32	Manufacturer identification number - used by an interface device to locate the DD file for the resource.	None	TopWorx Inc.
11	DEV_TYPE	Unsigned 16	Manufacturer's model number associated with the resource - used by interface devices to locate the DD file for the resource.	None	D2-FF Discrete Valve Controller
12	DEV_REV	Unsigned 8	Manufacturer revision number associated with the resource - used by an interface device to locate the DD file for the resource.	None	3
13	DD_REV	Unsigned 8	Revision of the DD associated with the resource - used by an interface device to locate the DD file for the resource.	None	1
14	GRANT_DENY		Options for controlling access of host computers and local control panels to operating, tuning, and alarm parameters of the block.	None	GRANT: 0 DENY: 0
15	HARD_TYPES	Bit String (2 bytes)	The types of hardware available as channel numbers.	None	Scalar Input

Appendix A: Resource Block Parameters (Cont.)

Index	Name	Type	Description	Units	Initial Values
16	RESTART	Unsigned 8	Allows a manual restart to be initiated. Supported options: 0: Uninitialized 1: Run: Setting for normal operation 2: Restart resource: Restart resource as though power fail had occurred using NVM values 3: Restart with defaults: Restart resource as through power fail had occurred using default values 4: Restart processor: Reset processor and initiate execution as though power fail had occurred 5: Valve Controller Defaults: Restart D2-FF valve controller board as through power fail had occurred using default values 6: Valve Controller Processor: Reset D2-FF valve controller board processor and initiate execution as though power fail had occurred 11: Restore Factory Default Blocks	None	Run
17	FEATURES	Bit String (2 bytes)	Used to shows supported resource block options.	None	Unicode Reports Faultstate Soft W Lock Hard W Lock Out Readback Multi-bit Alarm (Bit-Alarm) Support Restart/ Relink after FB_Action
18	FEATURE_SEL	Bit String (2 bytes)	Used to select resource block options.	None	Unicode Reports Faultstate Soft W Lock Out Readback Multi-bit Alarm (Bit-Alarm) Support
19	CYCLE_TYPE	Bit String (2 bytes)	Identifies the block execution methods available for this resource. Supported values: Scheduled: Block execution is scheduled through system management. Block Execution: Block execution is scheduled the completion of another block Manuf Specific: Block execution is determined by the manufacturer	None	Scheduled Block Execution
20	CYCLE_SEL	Bit String (2 bytes)	Used to select the block execution method for this resource. Supported values: Scheduled: Block execution is scheduled through system management. Block Execution: Block execution is scheduled the completion of another block Manuf Specific: Block execution is determined by the manufacturer	None	0
21	MIN_CYCLE_T	Unsigned 32	Time duration of the shortest cycle interval of which the resource is capable.	1/32 ms	1760
22	MEMORY_SIZE	Unsigned 16	Available configuration memory in the empty resource. To be checked before attempting a download.	Kbytes	16
23	NV_CYCLE_T	Unsigned 32	Interval between writing copies of NV parameters to non-volatile memory. Zero means never.	1/32 ms	960000
24	FREE_SPACE	Float	Percent of memory available for further configuration. Zero in a preconfigured device.	%	69.4444
25	FREE_TIME	Float	Percent of the block processing time that is free to process additional blocks.	%	0

(Appendix A Continued on next page)

Appendix A: Resource Block Parameters *(Cont.)*

Index	Name	Type	Description	Units	Initial Values
26	SHED_RCAS	Unsigned 32	Time duration at which to give up on computer writes to function block RCAs locations.	1/32 ms	640000
27	SHED_ROUT	Unsigned 32	Time duration at which to give up on computer writes to function block ROut locations.	1/32 ms	640000
28	FAULT_STATE	Unsigned 8	Condition set by loss of communication to an output block, failure promoted to an output block or a physical contact. When faultstate condition is set, then output function blocks will perform their FSTATE actions. Supported options: Uninitialized Clear: Normal operating position Active: Fault state is active	None	Clear
29	SET_FSTATE	Unsigned 8	Allows the faultstate condition to be manually initiated by selecting Set. Supported values: Uninitialized Off: Normal operating condition Set: Activate Faultstate	None	Off
30	CLR_FSTATE	Unsigned 8	Writing a Clear to this parameter will clear the device faultstate state if the field condition, if any, has cleared. Supported values: Uninitialized Off: Normal operating condition Clear: Block fault state conditions will be cleared	None	Off
31	MAX_NOTIFY	Unsigned 8	Maximum number of unconfirmed alert notify messages possible.	None	4
32	LIM_NOTIFY	Unsigned 8	Maximum number of unconfirmed alert notify messages allowed.	None	4
33	CONFIRM_TIME	Unsigned 32	The minimum time between retries of alert reports.	1/32 ms	640000
34	WRITE_LOCK	Unsigned 8	If set, no writes from anywhere are allowed, except to clear WRITE_LOCK. Block inputs will continue to be updated. Supported options: Uninitialized Not Locked Locked	None	Not Locked
35	UPDATE_EVT		This alert is generated by any change to the static data.	None	- UNACKNOWLEDGED: Uninitialized - UPDATE_STATE: Uninitialized - TIME_STAMP: 0 - STATIC_REVISION: 0 - RELATIVE_INDEX: 0
36	BLOCK_ALM		The block alarm is used for all configuration, hardware, connection failure or system problems in the block. The cause of the alert is entered in the subcode field. The first alert to become active will set the Active status in the Status attribute. As soon as the Unreported status is cleared by the alert reporting task, another block alert may be reported without clearing the Active status, if the subcode has changed.	None	- UNACKNOWLEDGED: Uninitialized - UPDATE_STATE: Active-Not Reported - TIME_STAMP: 0 - SUB_CODE: 0xc000 - RELATIVE_INDEX: 0
37	ALARM_SUM		The current alert status, unacknowledged states, unreported states, and disabled states of the alarms associated with the function block.	None	- CURRENT: Discrete Alarm Block Alarm - UNACKNOWLEDGED: Block Alm Unack - UNREPORTED: Block Alm Unrep - DISABLED: 0

Appendix A: Resource Block Parameters (Cont.)

Index	Name	Type	Description	Units	Initial Values
38	ACK_OPTION	Bit String (2 bytes)	Selection of whether alarms associated with the function block will be automatically acknowledged. Supported options: Disc Alm Auto Ack Blk Alm Auto Ack Fail Alm Auto Ack Off Spec Alm Auto Ack Maint Alm Auto Ack Check Alm Auto Ack	None	0
39	WRITE_PRI	Unsigned 8	Priority of the alarm generated by clearing the write lock.	None	0
40	WRITE_ALM		This alert is generated if the write lock parameter is cleared.	None	- UNACKNOWLEDGED: Acknowledged - UPDATE_STATE: Clear-Reported - TIME_STAMP: 0 - SUB_CODE: Other - VALUE: State 0
41	ITK_VER	Unsigned 16	Major revision number of the interoperability test case used to register this device.	None	6
42	FD_VER	Unsigned 16	The major version of the Field Diagnostics specification used for the development of this device.	None	1
43	FD_FAIL_ACTIVE	Bit String (4 bytes)	This parameter reflects the error conditions that are being detected as active as selected for this category. It is a bit string, so that multiple conditions may be shown.	None	0
44	FD_OFFSPEC_ACTIVE	Bit String (4 bytes)	This parameter reflects the error conditions that are being detected as active as selected for this category. It is a bit string, so that multiple conditions may be shown.	None	0
45	FD_MAINT_ACTIVE	Bit String (4 bytes)	This parameter reflects the error conditions that are being detected as active as selected for this category. It is a bit string, so that multiple conditions may be shown.	None	0
46	FD_CHECK_ACTIVE	Bit String (4 bytes)	This parameter reflects the error conditions that are being detected as active as selected for this category. It is a bit string, so that multiple conditions may be shown.	None	0
47	FD_FAIL_MAP	Bit String (4 bytes)	This parameter enables or disables conditions to be detected as active for this alarm category. Thus the same condition may be active in all, some, or none of the 3 alarm categories.	None	- NV Memory Failure - Electronics Failure - Bad Temperature Sensor - Software Error - Travel Deviation - Shutdown is Set - Buttonboard Failure - Open or Short Circuit - Internal I/O Failure
48	FD_OFFSPEC_MAP	Bit String (4 bytes)	This parameter enables or disables conditions to be detected as active for this alarm category. Thus the same condition may be active in all, some, or none of the 3 alarm categories.	None	- System Temperature Exceeded - Control Module Life Cycle Exceeded - Adjusted Cycle Count Exceeded - Time in Position Limit Exceeded - Open Travel Time Limit Exceeded - Close Travel Time Limit Exceeded
49	FD_MAINT_MAP	Bit String (4 bytes)	This parameter enables or disables conditions to be detected as active for this alarm category. Thus the same condition may be active in all, some, or none of the 3 alarm categories.	None	Calibration Failed

(Appendix A Continued on next page)

Appendix A: Resource Block Parameters *(Cont.)*

Index	Name	Type	Description	Units	Initial Values
50	FD_CHECK_MAP	Bit String (4 bytes)	This parameter enables or disables conditions to be detected as active for this alarm category.	None	Check
51	FD_FAIL_MASK	Bit String (4 bytes)	This parameter allows the user to suppress any single or multiple conditions that are active, in this category, from being broadcast to the host through the alarm parameter.	None	0
52	FD_OFFSPEC_MASK	Bit String (4 bytes)	This parameter allows the user to suppress any single or multiple conditions that are active, in this category, from being broadcast to the host through the alarm parameter.	None	0
53	FD_MAINT_MASK	Bit String (4 bytes)	This parameter allows the user to suppress any single or multiple conditions that are active, in this category, from being broadcast to the host through the alarm parameter.	None	0
54	FD_CHECK_MASK	Bit String (4 bytes)	This parameter allows the user to suppress any single or multiple conditions that are active, in this category, from being broadcast to the host through the alarm parameter.	None	0
55	FD_FAIL_ALM		This parameter is used primarily to broadcast a change in the associated active conditions, which are not masked, for this alarm category to a Host System.	None	- UNACKNOWLEDGED: Acknowledged - ALARM_STATE: Clear-Reported - TIME_STAMP: 0 - SUB_CODE: 0 - VALUE: 0
56	FD_OFFSPEC_ALM		This parameter is used primarily to broadcast a change in the associated active conditions, which are not masked, for this alarm category to a Host System.	None	- UNACKNOWLEDGED: Acknowledged - ALARM_STATE: Clear-Reported - TIME_STAMP: 0 - SUB_CODE: 0 - VALUE: 0
57	FD_MAINT_ALM		This parameter is used primarily to broadcast a change in the associated active conditions, which are not masked, for this alarm category to a Host System.	None	- UNACKNOWLEDGED: Acknowledged - ALARM_STATE: Clear-Reported - TIME_STAMP: 0 - SUB_CODE: 0 - VALUE: 0
58	FD_CHECK_ALM		This parameter is used primarily to broadcast a change in the associated active conditions, which are not masked, for this alarm category to a Host System.	None	- UNACKNOWLEDGED: Acknowledged - ALARM_STATE: Clear-Reported - TIME_STAMP: 0 - SUB_CODE: 0 - VALUE: 0
59	FD_FAIL_PRI	Unsigned 8	This parameter allows the user to specify the priority of this alarm category.	None	0
60	FD_OFFSPEC_PRI	Unsigned 8	This parameter allows the user to specify the priority of this alarm category.	None	0
61	FD_MAINT_PRI	Unsigned 8	This parameter allows the user to specify the priority of this alarm category.	None	0
62	FD_CHECK_PRI	Unsigned 8	This parameter allows the user to specify the priority of this alarm category.	None	0
63	FD_SIMULATE		Used as the field diagnostic condition when the simulation is enabled.	None	- DIAGNOSTIC_SIMULATE_VALUE: Calibration Failed - DIAGNOSTIC_VALUE: Calibration Failed - ENABLE_DISABLE: Disabled

Appendix A: Resource Block Parameters (Cont.)

Index	Name	Type	Description	Units	Initial Values
64	FD_RECOMMEN_ACT	Unsigned 16	This parameter is a device enumerated summarization of the most severe condition or conditions detected. The DD help should describe by enumerated action, what should be done to alleviate the condition or conditions.	None	No Action
65	FD_EXTENDED_ACTIVE	Bit String (4 bytes)	Allows finer control on enabling conditions contributing to the conditions in FD_*_ACTIVE parameters.	None	0
66	FD_EXTENDED_MAP	Bit String (4 bytes)	Allows finer control on enabling conditions contributing to the conditions in FD_*_ACTIVE parameters.	None	- Sensor Transducer Error - Hardware/Software Incompatible - Manufacturing Block Integrity Error - ROM (Flash) Integrity Error
67	COMPATIBILITY_REV	Unsigned 8	Last compatible device revision	None	9
68	HARDWARE_REVISION	Unsigned 8	Hardware Revision for the device.	None	4
69	SOFTWARE_REV	Visible String (32 bytes)	Software Revision for the device.	None	01-12-2A -20 Dec 2011
70	PD_TAG	Visible String (32 bytes)	PD Tag for the device	None	
71	DEV_STRING		Device String	None	0
72	DEV_OPTION	Bit String (4 bytes)	Device Options	None	0
73	OUTPUT_BOARD_SN	Unsigned 32	Output Board Serial Number	None	
74	FINAL_ASSY_NUM	Unsigned 32	Final Assembly Number	None	0
75	DOWNLOAD_MODE	Unsigned 8	Download Mode	None	Run Mode
76	HEALTH_INDEX	Unsigned 8	Health Index	None	100
77	FAILED_PRI	Unsigned 8	Failure Priority and PWA_FD switch	None	0
78	RECOMMENDED_ACTION	Unsigned 16	Recommended Action	None	No Action
79	FAILED_ALM		Failure Alarm	None	- UNACKNOWLEDGED: Acknowledged - ALARM_STATE: Clear-Reported - TIME_STAMP: 0 - SUB_CODE: Check - VALUE:0
80	MAINT_ALM		Maintenance Alarm	None	- UNACKNOWLEDGED: Acknowledged - ALARM_STATE: Clear-Reported - TIME_STAMP: 0 - SUB_CODE: Check - VALUE:0
81	ADVISE_ALM		Advisory Alarm	None	- UNACKNOWLEDGED: Acknowledged - ALARM_STATE: Clear-Reported - TIME_STAMP: 0 - SUB_CODE: Check - VALUE:0

(Appendix A Continued on next page)

Appendix A: Resource Block Parameters *(Cont.)*

Index	Name	Type	Description	Units	Initial Values
82	FAILED_ENABLE	Bit String (4 bytes)	Failure Enable	None	<ul style="list-style-type: none"> - NV Memory Failure - Electronics Failure - Bad Temperature Sensor - Software Error - Travel Deviation - Shutdown is Set - Buttonboard Failure - Open or Short Circuit - Internal I/O Failure
83	FAILED_MASK	Bit String (4 bytes)	Failure Mask	None	0
84	FAILED_ACTIVE	Bit String (4 bytes)	Failure Active	None	0
85	MAINT_PRI	Unsigned 8	Maintenance Priority	None	0
86	MAINT_ENABLE	Bit String (4 bytes)	Maintenance Enable	None	<ul style="list-style-type: none"> - System Temperature Exceeded - Control Module Life Cycle Exceeded - Adjusted Cycle Count Exceeded - Time in Position Limit Exceeded - Open Travel Time Limit Exceeded - Close Travel Time Limit Exceeded
87	MAINT_MASK	Bit String (4 bytes)	Maintenance Mask	None	0
88	MAINT_ACTIVE	Bit String (4 bytes)	Maintenance Active	None	0
89	ADVISE_PRI	Unsigned 8	Advisory Priority	None	0
90	ADVISE_ENABLE	Bit String (4 bytes)	Advisory Enable	None	Check Calibration Failed
91	ADVISE_MASK	Bit String (4 bytes)	Advisory Mask	None	0
92	ADVISE_ACTIVE	Bit String (4 bytes)	Advisory Active	None	0
93	DISTRIBUTOR	Unsigned 32	Private Label Distributor	None	0x00545758 (TopWorx Inc.)
94	ELECTRONICS_SN	Unsigned 8	The Manufacturer Specific Serial Number for the Electronics assembly within the instrument.	None	1
95	FACTORY_SN	Visible String (9 bytes)	The Serial number of the Instrument as assigned at the Factory. This parameter can only be changed by the Factory.	None	206G06G06A
96	FIELD_SN	Visible String (32 bytes)	This is the Instrument Serial Number, as assigned by the user, as applied to his field application.	None	
97	DIAG_OPTIONS	Bit String (4 bytes)	Diagnostic Options	None	0
98	CONTROL_CARD_SW_REV	Float	Control card software revision number	None	Controlled by Factory
99	CAPABILITY_LEV	Unsigned 8	Capability level of the device	None	

Appendix B: Transducer Block Parameters

Index	Name	Type	Description	Units	Initial Values
1	ST_REV	Unsigned 16	The revision level of the static data associated with the function block. The revision value will be incremented each time a static parameter value in the block is changed.	None	0
2	TAG_DESC	Octet String	The user description of the intended application of the block.	None	
3	STRATEGY	Unsigned 16	The strategy field can be used to identify group of blocks. This data is not checked or processed by the block.	None	0
4	ALERT_KEY	Unsigned 8	The identification number of the plant unit. This information may be used in the host for sorting alarms, etc.	None	0
5	MODE_BLK		The actual, target, permitted, and normal modes of the block. Target: The mode to "go to" Actual: The mode the "block is currently in" Permitted: Allowed modes that target may take on Normal: Most common mode for target	None	Target (Auto) Actual (OOS) Permitted (Auto OOS) Normal (Auto)
6	BLOCK_ERR	Bit String	This parameter reflects the error status associated with the hardware or software components associated with a block. It is a bit string, so that multiple errors may be shown.	None	0
7	UPDATE_EVT		This alert is generated by any change to the static data.	None	- UNACKNOWLEDGED 0 (Uninitialized) - UPDATE_STATE 0(Uninitialized) - TIME_STAMP 0x00 - STATIC_REVISION 0 - RELATIVE_INDEX 0
8	BLOCK_ALM		The block alarm is used for all configuration, hardware, connection failure or system problems in the block. The cause of the alert is entered in the subcode field. The first alert to become active will set the Active status in the Status attribute. As soon as the Unreported status is cleared by the alert reporting task, another block alert may be reported without clearing the Active status, if the subcode has changed.	None	- UNACKNOWLEDGED 1(Acknowledged) - ALARM_STATE 1 (Clear-Reported) - TIME_STAMP 0 - SUB_CODE 0 (Other) - VALUE 0
9	TRANSDUCER_DIRECTORY		Directory that specifies the number and starting indices of the transducers in the transducer block.	None	0
10	TRANSDUCER_TYPE	Unsigned 16	Identifies the transducer that follows	None	107(Standard Discrete Valve)
11	XD_ERROR	Unsigned 8	A transducer block alarm subcode	None	0
12	COLLECTION_DIRECTORY		A directory that specifies the number, starting indices, and DD Item ID's of the data collections in each transducer within a transducer block.	None	0
13	FINAL_VALUE_D		The proposed valve position and status written by a discrete Function Block.	None	- Status 28(Bad:: OutOfService: NotLimited) - Value 0(Close)
14	ACT_FAIL_ACTION	Unsigned 8	Specifies the action the actuator takes in case of failure.	None	0
15	ACT_MAN_ID	Unsigned 32	The valve controller manufacturer's identification number as defined by the Fieldbus Foundation.	None	0x545758
16	ACT_MODEL_NUM	Visible String	The valve controller model number.	None	200
17	ACT_SN	Visible String	The actuator serial number.	None	
18	VALVE_MAN_ID	Unsigned 32	The valve manufacturer's identification number as defined by the Fieldbus Foundation. Not used.	None	0 (Unknown)
19	VALVE_MODEL_NUM	Visible String	The valve model number. Not used.	None	

(Appendix B Continued on next page)

Appendix B: Transducer Block Parameters *(Cont.)*

Index	Name	Type	Description	Units	Initial Values
20	VALVE_SN	Visible String	The valve serial number. Not used.	None	
21	VALVE_TYPE	Unsigned 8	The valve type. For Informational purposes only. Is not used by internal software.	None	2 (Rotary)
22	XD_CAL_LOC	Visible String	The physical location at which the last calibration was performed.	None	
23	XD_CAL_DATE	Date	The date of the last calibration.	None	
24	XD_CAL_WHO	Visible String	The name of the person responsible for the last calibration.	None	
25	DISCRETE_POSITION		Single signal indicating the current discrete position. Supported values: 0: Close, 1: Open, 2: Closing, 3: Opening.	None	-Status 28 (Bad::OutOfService: NotLimited) -Value 3 (Opening)
26	OPEN_STATE		Discrete position feedback. Supported values: 0: False, 1 True.	None	-Status 28 (Bad::OutOfService: NotLimited) -Value 0 (False)
27	CLOSE_STATE		Discrete position feedback. Supported values: 0: False, 1 True.	None	-Status 28 (Bad::OutOfService: NotLimited) -Value 0 (False)
28	REVERSE_VALVE		Controls the procedure for finding the endpoints. Supported reverse valve command: 0: No action, 1: Reverse. <u>Possible calibration status:</u> - Both triggered: Both GO Switches are triggered simultaneously - Running: Device calibration is in process - Range error: Less than minimum allowed rotation range (minimum 20 degrees) - In deadband: End position is too high/low or in deadband - Timed Out: Device calibration timed out (maximum 5 minutes) - No sensor detected: No sensor is detected during calibration - Successful: Device is calibrated - Calibration needed: Device is not calibrated or calibration for the other end position is required.	None	-REVERSE_VALVE_COMMAND 0 (No Action) -CALIBRATION_STATUS 128 (Calibration required)
29	CFG_SWITCH_POINTS		Set trip points from end position. - OPEN_END_POSITION: use current position as open end position. Supported values: 0: No action required, 1 Set to current position - CLOSED_END_POSITION: use current position as close end position. Supported values: 0: No action required, 1 Set to current position - OPEN_STOP_OFFSET: distance to endpositionin % of full stroke. Range: 5% to 40%. - CLOSE_STOP_OFFSET: distance to endpositionin % of full stroke. Range: 5% to 40%.	None	-OPEN_END_POSITION 0 -CLOSED_END_POSITION 0 -OPEN_STOP_OFFSET 10 -CLOSE_STOP_OFFSET 10
30	FLASH_LED	Unsigned 8	For identification, blink status LED. Supported value: 0: Finished, 1: Flash LED.	None	0 (Finished)
31	INSTRUMENT_TEMP		Indicates the internal temperature of the instrument in degree C.	None	-Status 28 (Bad::OutOfService: NotLimited) -Value 19

Appendix B: Transducer Block Parameters

Index	Name	Type	Description	Units	Initial Values
32	SHUTDOWN_CFG		<p><u>Configures what actions to take after internal communications are lost.</u></p> <ul style="list-style-type: none"> - SHUTDOWN_ENABLE: Shutdown Enable. Supported values: 0: Enable auto recovery, 1: Enable manual recovery, 2: Disable - SHUTDOWN_ACTION: Action that the valve will take if there is a Shutdown. Supported values: 0: Close, 1: Open, 2: Hold - SHUTDOWN_DELAY_TIME: Time in seconds before action will be taken after an event has occurred. - SHUTDOWN_RESET: If shutdown status indicates shutdown enable was set to manual recovery, then operator must set this parameter to normal operation before the device can recover. Supported values: 0: Inactive, 1: Reset. - SHUTDOWN_STATUS: Indicates if the system is shutdown or operational. Supported values: 0: Device operational, 1: Device shutdown. 	None	<ul style="list-style-type: none"> - SHUTDOWN_ENABLE 1 (Enable manual recovery) - SHUTDOWN_ACTION 0(Close) - SHUTDOWN_DELAY_TIME 5 - SHUTDOWN_RESET 0(Inactive) - SHUTDOWN_STATUS 0 (Device operational)
33	SENSOR_TYPE_TOPWORX	Unsigned 8	The sensor type that determines the position. Supported values: 0: Not assigned, 1: GO switches only, 2: Potentiometer only, 3: Both potentiometer and GO Switches. 4: Potentiometer and Auxiliary Input.	None	0 (Not assigned)
34	BUTTONBOARD_ENABLE	Unsigned 8	Enables and disables the buttonboard for initialization and reassignment of end positions. Can only be enabled when device is in OOS. Supported values: 0: Never active, 1: Active in OOS.	None	1 (Active in OOS)
35	INTERNAL_ALERTS	Bit String	Internal Alerts. Available items: Open/short circuit error, Calibration Failure, Bad temperature sensor, System temperature exceeded, Software error IO card, Travel deviation alert, Device shutdown, Buttonboard failure	None	0x4000 (Calibration Failure)
36	FUNCTION_MODULE_COUNTER		Counts the end position cycles performed by the control module. FM_COUNTER_VALUE: Control module cycle count value. FM_COUNTER_LIMIT: Control module cycle count limit.	None	<ul style="list-style-type: none"> - FM_COUNTER_VALUE 5 - FM_COUNTER_LIMIT 1000000
37	PNEUMATIC_MODULE_COUNTER		Counts the end position cycles performed by the control module. ADJUSTED_COUNT_VALUE: Adjusted control module cycle count value. ADJUSTED_COUNT_LIMIT: Adjusted control module cycle count limit.	None	<ul style="list-style-type: none"> - ADJUSTED_COUNT_VALUE 5 - ADJUSTED_COUNT_LIMIT 1000000
38	VALVE_POSITION	Unsigned 32	Indicates valve position in percentage	%	0
39	TIMERS		<p><u>Diagnostic timers in seconds for device</u></p> <ul style="list-style-type: none"> - TIME_IN_POSITION: Holds the time in current position but not saved in NV, so reset when power is switched off. - TIME_IN_POSITION_HI_LIM: Sets a limit for an alert for the time in position. - OPEN_TRAVEL_TIME: Indicates time between position change commanded and open trip position reached. - OPEN_TRAVEL_TIME_HI_LIM: Open travel time high limit. - OPEN_TRAVEL_TIME_LO_LIM: Open travel time low limit. - OPEN_TRAVEL_TIME_AVERAGE: Open travel time average. - OPEN_TRAVEL_AVERAGE_HI_LIM: Open travel time average high limit. - OPEN_TRAVEL_AVERAGE_LO_LIM: Open travel time average low limit. - CLOSE_TRAVEL_TIME: Indicates time between position change commanded and close trip position reached. - CLOSE_TRAVEL_TIME_HI_LIM: Close travel time high limit. - CLOSE_TRAVEL_TIME_LO_LIM: Close travel time low limit. - CLOSE_TRAVEL_TIME_AVERAGE: Close travel time average. - CLOSE_TRAVEL_AVERAGE_HI_LIM: Close travel time average high limit. - CLOSE_TRAVEL_AVERAGE_LO_LIM: Close travel time average low limit. 	None	<ul style="list-style-type: none"> - TIME_IN_POSITION 0 - TIME_IN_POSITION_HI_LIM 864000 - OPEN_TRAVEL_TIME 0 - OPEN_TRAVEL_TIME_HI_LIM 300 - OPEN_TRAVEL_TIME_LO_LIM 0 - OPEN_TRAVEL_TIME_AVERAGE 0 - OPEN_TRAVEL_AVERAGE_HI_LIM 300 - OPEN_TRAVEL_AVERAGE_LO_LIM 0 - CLOSE_TRAVEL_TIME 0 - CLOSE_TRAVEL_TIME_HI_LIM 300 - CLOSE_TRAVEL_TIME_LO_LIM 0 - CLOSE_TRAVEL_TIME_AVERAGE 0 - CLOSE_TRAVEL_AVERAGE_HI_LIM 300 - CLOSE_TRAVEL_AVERAGE_LO_LIM 0

(Appendix B Continued on next page)

Appendix B: Transducer Block Parameters *(Concluded)*

Index	Name	Type	Description	Units	Initial Values
40	FF_COMM_STATS		<p><u>Statistics which indicate interboard communication quality.</u></p> <ul style="list-style-type: none"> - FF_COMM_ATTEMPTS: States the number of interboard communication attempts. Counter will be reset to 0 when max count is reached. - FF_COMM_TIMEOUTS: Counts the communication attempts that timed out. 	None	<ul style="list-style-type: none"> - FF_COMM_ATTEMPTS 0 - FF_COMM_TIMEOUTS 0
41	BASE_RECORD		<p><u>Base Record for Low Level Device Access.</u></p> <ul style="list-style-type: none"> - BASE_VALUE: Value to be sent or received from valve controller. - BASE_COMMAND: Command controlling base array. <p><u>Supported commands are listed as following:</u></p> <ul style="list-style-type: none"> - No Command/Exit Method - Get Current Real Position - Get Open Endpoint - Get Close Endpoint - Get Min Temp Ever - Get Max Temp Ever 	None	<ul style="list-style-type: none"> - BASE_VALUE 0 - BASE_COMMAND 0
42	AUX_INPUT_STATUS	Unsigned 8	Auxiliary Input Status	None	0
43	AUX_INPUT 1	Unsigned 8	Auxiliary Input 1	None	0
44	AUX_INPUT 2	Unsigned 8	Auxiliary Input 1	None	0
45	CC_FW_TYPE	Unsigned 8	Auxiliary Input 1	None	0

Appendix C: AI Function Block Parameters

Index	Name	Type	Description	Units	Initial Values
1	ST_REV	Unsigned 16	The revision level of the static data associated with the function block. The revision value will be incremented each time a static parameter value in the block is changed.	None	0
2	TAG_DESC	Octet String	The user description of the intended application of the block.	None	
3	STRATEGY	Unsigned 16	The strategy field can be used to identify grouping of blocks. This data is not checked or processed by the block.	None	0
4	ALERT_KEY	Unsigned 8	The identification number of the plant unit. This information may be used in the host for sorting alarms, etc.	None	0
5	MODE_BLK		<p>The actual, target, permitted, and normal modes of the block.</p> <p>Target: The mode to "go to"</p> <p>Actual: The mode the "block is currently in"</p> <p>Permitted: Allowed modes that target may take on</p> <p>Normal: Most common mode for target</p>	None	<ul style="list-style-type: none"> - TARGET (OOS) - ACTUAL (OOS) - PERMITTED (Auto Man OOS) - NORMAL (Auto)
6	BLOCK_ERR	Bit String	This parameter reflects the error status associated with the hardware or software components associated with a block. It is a bit string, so that multiple errors may be shown.	None	0
7	PV		Either the primary analog value for use in executing the function, or a process value associated with it. May also be calculated from the READBACK value of an AO block	EU of XD_SCALE	STATUS 0 VALUE 0
8	OUT		The primary analog value calculated as a result of executing the function block	EU of OUT_SCALE	STATUS 0 VALUE 0

Appendix C: AI Function Block Parameters (Cont.)

Index	Name	Type	Description	Units	Initial Values
9	SIMULATE		Allows the transducer analog input or output to the block to be manually supplied when simulate is enabled. When simulate is disabled, the simulate value and status track the actual value and status.	None	-SIMULATE_STATUS 0 -SIMULATE_VALUE 0 -TRANSDUCER_STATUS 0 Bad::NonSpecific: NotLimited) -TRANSDUCER_VALUE 0 -ENABLE_DISABLE 1(Disabled)
10	XD_SCALE		The high and low scale values, engineering units code, and number of digits to the right of the decimal point used with the value obtained from the transducer for a specified channel.	None	-EU_100 100 -EU_0 0 -UNITS_INDEX 1342(%) -DECIMAL 2
11	OUT_SCALE		The high and low scale values, engineering units code, and number of digits to the right of the decimal point to be used in displaying the OUT parameter and parameters which have the same scaling as OUT	None	-EU_100 100 -EU_0 0 -UNITS_INDEX 1342(%) -DECIMAL 0
12	GRANT_DENY		Options for controlling access of host computers and local control panels to operating, tuning, and alarm parameters of the block.	None	-GRANT 0 -DENY 0
13	IO_OPTS	Bit String	Option which the user may select to alter input and output block processing.	None	0
14	STATUS_OPTS	Bit String	Options which the user may select in the block processing of status.	None	0
15	CHANNEL	Unsigned 16	The number of the logical hardware channel that is connected to this I/O block. This information defines the transducer to be used going to or from the physical world. Supported channels are listed on the following: 0: No Channel Selected 5: Instrument Temperature 6: Analog Position	None	0 (No channel selected)
16	L_TYPE	Unsigned 8	Determines if the values passed by the transducer block to the AI block may be used directly (Direct) or if the value is in different units and must be converted linearly (Indirect), or with square root (Ind Sqr Root), using the input range defined for the transducer and the associated output range.	None	1 (Direct)
17	LOW_CUT	Float	Limit used in square root processing. A value of zero percent of scale is used in block processing if the transducer value falls below this limit, in % of scale. This feature may be used to eliminate noise near zero from a flow sensor.	%	0
18	PV_FTIME	Float	Time constant of a single exponential filter for the PV, in seconds.	Seconds	0
19	FIELD_VAL		Raw value of the field device in % of PV range, with a status reflecting the Transducer condition, before signal characterization (L_TYPE) or filtering (PV_FTIME).	%	-STATUS 0 -VALUE 0
20	UPDATE_EVT		This alert is generated by any change to the static data.	None	-UNACKNOWLEDGED 0 (Uninitialized) -UPDATE_STATE 0 -TIME_STAMP 0 -STATIC_REVISION 0 -RELATIVE_INDEX 0
21	BLOCK_ALM		The block alarm is used for all configuration, hardware, connection failure or system problems in the block. The cause of the alert is entered in the subcode field. The first alert to become active will set the Active status in the Status attribute. As soon as the Unreported status is cleared by the alert reporting task, another block alert may be reported without clearing the Active status, if the subcode has changed.	None	-UNACKNOWLEDGED 0(Uninitialized) -ALARM_STATE 0 -TIME_STAMP 0 -SUB_CODE 0 -VALUE 0
22	ALARM_SUM		The current alert status, unacknowledged states, unreported states, and disabled states of the alarms associated with the function block.	None	-CURRENT 0 -UNACKNOWLEDGED 0 -UNREPORTED 0 -DISABLED 0

(Appendix C Concluded on next page)

Appendix C: AI Function Block Parameters *(Concluded)*

Index	Name	Type	Description	Units	Initial Values
23	ACK_OPTION	Bit String	Selection of whether alarms associated with the function block will be automatically acknowledged.	None	0
24	ALARM_HYS	Float	Amount the PV must return within the alarm limits before the alarm condition clears. Alarm hysteresis expressed as a percent of the span of the PV.	%	0.5
25	HI_HI_PRI	Unsigned 8	Priority of the high high alarm.	None	0
26	HI_HI_LIM	Float	The setting for high high alarm in engineering units.	EU of PV_SCALE	Positive Infinity
27	HI_PRI	Unsigned 8	Priority of the high alarm	None	0
28	HI_LIM	Float	The setting for high alarm in engineering units	EU of PV_SCALE	Positive Infinity
29	LO_PRI	Unsigned 8	Priority of the low alarm	None	0
30	LO_LIM	Float	The setting for the low alarm in engineering units.	EU of PV_SCALE	Negative Infinity
31	LO_LO_PRI	Unsigned 8	Priority of the low low alarm.	None	0
32	LO_LO_LIM	Float	The setting of the low low alarm in engineering units	EU of PV_SCALE	Negative Infinity
33	HI_HI_ALM		The status for high high alarm and its associated time stamp	None	- UNACKNOWLEDGED 0 (Uninitialized) - ALARM_STATE 0 - TIME_STAMP 0 - SUB_CODE 0 - VALUE 0
34	HI_ALM		The status for high alarm and its associated time stamp.	None	- UNACKNOWLEDGED 0 (Uninitialized) - ALARM_STATE 0 - TIME_STAMP 0 - SUB_CODE 0 - VALUE 0
35	LO_ALM		The status of the low alarm and its associated time stamp.	None	- UNACKNOWLEDGED (Uninitialized) - ALARM_STATE 0 - TIME_STAMP 0 - SUB_CODE 0 - VALUE 0
36	LO_LO_ALM		The status of the low low alarm and its associated time stamp.	None	- UNACKNOWLEDGED 0 (Uninitialized) - ALARM_STATE 0 - TIME_STAMP 0 - SUB_CODE 0 - VALUE 0
37	OUT_D		The primary discrete value calculated as a result of executing the function block.	None	- STATUS 0 (Bad::NonSpecific:NotLimited) - VALUE 0
38	ALM_SEL	Bit String	Selected alarms that activate the alarm output	None	0
39	STDDEV	Float	Standard deviation of the measurement.	%	0
40	CAP_STDDEV	Float	Capability standard deviation, the best deviation that can be achieved.	Seconds	0

Appendix C: AI Function Block Parameters (Cont.)

Index	Name	Type	Description	Units	Initial Values
9	SIMULATE		Allows the transducer analog input or output to the block to be manually supplied when simulate is enabled. When simulate is disabled, the simulate value and status track the actual value and status.	None	- SIMULATE_STATUS 0 - SIMULATE_VALUE 0 - TRANSDUCER_STATUS 0 Bad::NonSpecific: NotLimited) - TRANSDUCER_VALUE 0 - ENABLE_DISABLE 1 (Disabled)
10	XD_SCALE		The high and low scale values, engineering units code, and number of digits to the right of the decimal point used with the value obtained from the transducer for a specified channel.	None	- EU_100 100 - EU_0 0 - UNITS_INDEX 1342(%) - DECIMAL 2
11	OUT_SCALE		The high and low scale values, engineering units code, and number of digits to the right of the decimal point to be used in displaying the OUT parameter and parameters which have the same scaling as OUT	None	- EU_100 100 - EU_0 0 - UNITS_INDEX 1342(%) - DECIMAL 0
12	GRANT_DENY		Options for controlling access of host computers and local control panels to operating, tuning, and alarm parameters of the block.	None	- GRANT 0 - DENY 0
13	IO_OPTS	Bit String	Option which the user may select to alter input and output block processing.	None	0
14	STATUS_OPTS	Bit String	Options which the user may select in the block processing of status.	None	0
15	CHANNEL	Unsigned 16	The number of the logical hardware channel that is connected to this I/O block. This information defines the transducer to be used going to or from the physical world. Supported channels are listed on the following: 0: No Channel Selected 5: Instrument Temperature 6: Analog Position	None	0 (No channel selected)
16	L_TYPE	Unsigned 8	Determines if the values passed by the transducer block to the AI block may be used directly (Direct) or if the value is in different units and must be converted linearly (Indirect), or with square root (Ind Sqr Root), using the input range defined for the transducer and the associated output range.	None	1 (Direct)
17	LOW_CUT	Float	Limit used in square root processing. A value of zero percent of scale is used in block processing if the transducer value falls below this limit, in % of scale. This feature may be used to eliminate noise near zero from a flow sensor.	%	0
18	PV_FTIME	Float	Time constant of a single exponential filter for the PV, in seconds.	Seconds	0
19	FIELD_VAL		Raw value of the field device in % of PV range, with a status reflecting the Transducer condition, before signal characterization (L_TYPE) or filtering (PV_FTIME).	%	- STATUS 0 - VALUE 0
20	UPDATE_EVT		This alert is generated by any change to the static data.	None	- UNACKNOWLEDGED 0 (Uninitialized) - UPDATE_STATE 0 - TIME_STAMP 0 - STATIC_REVISION 0 - RELATIVE_INDEX 0
21	BLOCK_ALM		The block alarm is used for all configuration, hardware, connection failure or system problems in the block. The cause of the alert is entered in the subcode field. The first alert to become active will set the Active status in the Status attribute. As soon as the Unreported status is cleared by the alert reporting task, another block alert may be reported without clearing the Active status, if the subcode has changed.	None	- UNACKNOWLEDGED 0 (Uninitialized) - ALARM_STATE 0 - TIME_STAMP 0 - SUB_CODE 0 - VALUE 0
22	ALARM_SUM		The current alert status, unacknowledged states, unreported states, and disabled states of the alarms associated with the function block.	None	- CURRENT 0 - UNACKNOWLEDGED 0 - UNREPORTED 0 - DISABLED 0

(Appendix C Concluded on next page)

Appendix C: AI Function Block Parameters *(Concluded)*

Index	Name	Type	Description	Units	Initial Values
23	ACK_OPTION	Bit String	Selection of whether alarms associated with the function block will be automatically acknowledged.	None	0
24	ALARM_HYS	Float	Amount the PV must return within the alarm limits before the alarm condition clears. Alarm hysteresis expressed as a percent of the span of the PV.	%	0.5
25	HI_HI_PRI	Unsigned 8	Priority of the high high alarm.	None	0
26	HI_HI_LIM	Float	The setting for high high alarm in engineering units.	EU of PV_SCALE	Positive Infinity
27	HI_PRI	Unsigned 8	Priority of the high alarm	None	0
28	HI_LIM	Float	The setting for high alarm in engineering units	EU of PV_SCALE	Positive Infinity
29	LO_PRI	Unsigned 8	Priority of the low alarm	None	0
30	LO_LIM	Float	The setting for the low alarm in engineering units.	EU of PV_SCALE	Negative Infinity
31	LO_LO_PRI	Unsigned 8	Priority of the low low alarm.	None	0
32	LO_LO_LIM	Float	The setting of the low low alarm in engineering units	EU of PV_SCALE	Negative Infinity
33	HI_HI_ALM		The status for high high alarm and its associated time stamp	None	- UNACKNOWLEDGED 0 (Uninitialized) - ALARM_STATE 0 - TIME_STAMP 0 - SUB_CODE 0 - VALUE 0
34	HI_ALM		The status for high alarm and its associated time stamp.	None	- UNACKNOWLEDGED 0 (Uninitialized) - ALARM_STATE 0 - TIME_STAMP 0 - SUB_CODE 0 - VALUE 0
35	LO_ALM		The status of the low alarm and its associated time stamp.	None	- UNACKNOWLEDGED 0 (Uninitialized) - ALARM_STATE 0 - TIME_STAMP 0 - SUB_CODE 0 - VALUE 0
36	LO_LO_ALM		The status of the low low alarm and its associated time stamp.	None	- UNACKNOWLEDGED 0 (Uninitialized) - ALARM_STATE 0 - TIME_STAMP 0 - SUB_CODE 0 - VALUE 0
37	OUT_D		The primary discrete value calculated as a result of executing the function block.	None	- STATUS 0 (Bad::NonSpecific: NotLimited) - VALUE 0
38	ALM_SEL	Bit String	Selected alarms that activate the alarm output	None	0
39	STDDEV	Float	Standard deviation of the measurement.	%	0
40	CAP_STDDEV	Float	Capability standard deviation, the best deviation that can be achieved.	Seconds	0

Appendix D: DI Function Block Parameters

Index	Name	Type	Description	Units	Initial Values
1	ST_REV	Unsigned 16	The revision level of the static data associated with the function block. The revision value will be incremented each time a static parameter value in the block is changed.	None	0
2	TAG_DESC	Octet String	The user description of the intended application of the block.	None	
3	STRATEGY	Unsigned 16	The strategy field can be used to identify grouping of blocks. This data is not checked or processed by the block.	None	0
4	ALERT_KEY	Unsigned 8	The identification number of the plant unit. This information may be used in the host for sorting alarms, etc.	None	0
5	MODE_BLK		The actual, target, permitted, and normal modes of the block. Target: The mode to "go to" Actual: The mode the "block is currently in" Permitted: Allowed modes that target may take on Normal: Most common mode for target	None	- TARGET (OOS) - ACTUAL (OOS) - PERMITTED (Auto Man OOS) - NORMAL (Auto)
6	BLOCK_ERR	Bit String	This parameter reflects the error status associated with the hardware or software components associated with a block. It is a bit string, so that multiple errors may be shown.	None	0
7	PV_D		Either the primary discrete value for use in executing the function, or a process value associated with it. May also be calculated from the READBACK_D value of a DO block.	None	- STATUS 0(Bad) - VALUE 0(Close)
8	OUT_D		The primary discrete value calculated as a result of executing the function block.	None	- STATUS 0(Bad) - VALUE 0(Close)
9	SIMULATE_D		Allows the transducer discrete input or output to the block to be manually supplied when simulate is enabled. When simulate is disabled, the simulate value and status track the actual value and status.	None	- SIMULATE_STATUS 0 - SIMULATE_VALUE 0 (Close) - TRANSDUCER_STATUS 0 (Bad::NonSpecific: NotLimited) - TRANSDUCER_VALUE 0 (Close) - ENABLE_DISABLE 1(Disabled)
10	XD_STATE	Unsigned 16	Index to the text describing the states of a discrete for the value obtained from the transducer.	None	0
11	OUT_STATE	Unsigned 16	Index to the text describing the states of a discrete output.	None	0
12	GRANT_DENY		Options for controlling access of host computers and local control panels to operating, tuning, and alarm parameters of the block.	None	- GRANT 0 - DENY 0
13	IO_OPTS	Bit String (2 bytes)	Option which the user may select to alter input and output block processing.	None	0
14	STATUS_OPTS	Bit String (2 bytes)	Options which the user may select in the block processing of status.	None	0
15	CHANNEL	Unsigned 16	The number of the logical hardware channel that is connected to this I/O block. This information defines the transducer to be used going to or from the physical world. Supported channels are listed on the following: 0:No Channel Selected 2:Output Command Readback 3:Open Indicator Input 4:Close Indicator Input	None	3 (Open Indicator Input) or 4 (Close Indicator Input)
16	PV_FTIME	Float	Time constant of a single exponential filter for the PV, in seconds.	Seconds	0
17	FIELD_VAL_D		Raw value of the field device discrete input, with a status reflecting the Transducer condition.	None	- STATUS 0 (Close) - VALUE 0 (Bad)

(Appendix D Concluded on next page)

Appendix D: DI Function Block Parameters *(Continued)*

Index	Name	Type	Description	Units	Initial Values
18	UPDATE_EVT		This alert is generated by any change to the static data.	None	- UNACKNOWLEDGED 0 (Uninitialized) - UPDATE_STATE 0 (Uninitialized) - TIME_STAMP 0 - STATIC_REVISION 0 - RELATIVE_INDEX 0
19	BLOCK_ALM		The block alarm is used for all configuration, hardware, connection failure or system problems in the block. The cause of the alert is entered in the subcode field. The first alert to become active will set the Active status in the Status attribute. As soon as the Unreported status is cleared by the alert reporting task, another block alert may be reported without clearing the Active status, if the subcode has changed.	None	- UNACKNOWLEDGED 0 (Uninitialized) - ALARM_STATE 0 (Uninitialized) - TIME_STAMP 0 - SUB_CODE 0 - VALUE 0
20	ALARM_SUM		The current alert status, unacknowledged states, unreported states, and disabled states of the alarms associated with the function block.	None	- CURRENT 0 - UNACKNOWLEDGED 0 - UNREPORTED 0 - DISABLED 0
21	ACK_OPTION	Bit String	Selection of whether alarms associated with the function block will be automatically acknowledged.	None	0
22	DISC_PRI	Unsigned 8	Priority of the discrete alarm.	None	0
23	DISC_LIM	Unsigned 8	State of discrete input which will generate an alarm.	None	0
24	DISC_ALM		The status and time stamp associated with the discrete alarm.	None	- UNACKNOWLEDGED 0 (Uninitialized) - ALARM_STATE 0 - TIME_STAMP 0 - SUB_CODE 0 - VALUE 0

Appendix E: DO Function Block Parameters

Index	Name	Type	Description	Units	Initial Values
1	ST_REV	Unsigned 16	The revision level of the static data associated with the function block. The revision value will be incremented each time a static parameter value in the block is changed.	None	0
2	TAG_DESC	Octet String	The user description of the intended application of the block.	None	
3	STRATEGY	Unsigned 16	The strategy field can be used to identify grouping of blocks. This data is not checked or processed by the block.	None	0
4	ALERT_KEY	Unsigned 8	The identification number of the plant unit. This information may be used in the host for sorting alarms, etc.	None	0
5	MODE_BLK		<u>The actual, target, permitted, and normal modes of the block.</u> - Target: The mode to "go to" - Actual: The mode the "block is currently in" - Permitted: Allowed modes that target may take on - Normal: Most common mode for target	None	- TARGET (OOS) - ACTUAL (OOS) - PERMITTED (RCas Cas Auto Man OOS) - NORMAL (Cas Auto)
6	BLOCK_ERR	Bit String	This parameter reflects the error status associated with the hardware or software components associated with a block. It is a bit string, so that multiple errors may be shown.	None	0
7	PV_D		Either the primary discrete value for use in executing the function, or a process value associated with it. May also be calculated from the READBACK_D value of a DO block.	None	- STATUS 0(Bad) - VALUE 0(Close)
8	SP_D		The discrete setpoint of this block.	None	- STATUS 0(Bad) - VALUE 0(Close)
9	OUT_D		The primary discrete value calculated as a result of executing the function block.	None	- STATUS 128 (Good_NonCascade: :NonSpecific: NotLimited) - VALUE 0 (Close)

Appendix E: DO Function Block Parameters *(Concluded)*

Index	Name	Type	Description	Units	Initial Values
10	SIMULATE_D		Allows the transducer discrete input or output to the block to be manually supplied when simulate is enabled. When simulate is disabled, the simulate value and status track the actual value and status.	None	-SIMULATE_STATUS 0 -SIMULATE_VALUE 0 (Close) -TRANSDUCER_STATUS 0 (Bad::NonSpecific: NotLimited) -TRANSDUCER_VALUE 0 (Close) -ENABLE_DISABLE 1(Disabled)
11	PV_STATE	Unsigned 16	Index to the text describing the states of a discrete PV.	None	0
12	XD_STATE	Unsigned 16	Index to the text describing the states of a discrete for the value obtained from the transducer.	None	0
13	GRANT_DENY		Options for controlling access of host computers and local control panels to operating, tuning, and alarm parameters of the block.	None	-GRANT 0 -DENY 0
14	IO_OPTS	Bit String (2 bytes)	Option which the user may select to alter input and output block processing.	None	0
15	STATUS_OPTS	Bit String (2 bytes)	Options which the user may select in the block processing of status.	None	0
16	READBACK_D		This indicates the readback of the actual discrete valve or other actuator position, in the transducer state. Available readback value: 0: Close, 1: Open, 2: Closing, 3: Opening.	None	-STATUS 0 (Bad) -VALUE 0 (Close)
17	CAS_IN_D		This parameter is the remote setpoint value, which must come from another Fieldbus block, or a DCS block through a defined link.	None	-STATUS 0 (Bad) -VALUE 0 (Close)
18	CHANNEL	Unsigned 16	The number of the logical hardware channel that is connected to this I/O block. This information defines the transducer to be used going to or from the physical world. Supported channel number: 0: No Channel Selected, 1: Output Command.	None	1 (Output Command)
19	FSTATE_TIME	Float	The time in seconds from detection of failure of the output block remote setpoint to the output action of the block output if the condition still exists.	Sec-onds	0
20	FSTATE_VAL_D	Unsigned 8	The preset discrete SP_D value to use when failure occurs. This value will be used if the I/O option Faultstate to value is selected.	None	0
21	BKCAL_OUT_D		The output value and status provided to an upstream block output tracking when the loop is broken, as determined by the status bits. This information is used to provide bumpless transfer to closed loop control.	None	STATUS 0 (Bad) VALUE 0 (Close)
22	RCAS_IN_D		Target setpoint and status provided by a supervisory Host to a discrete control or output block.	None	STATUS 0 (Bad) VALUE 0 (Close)
23	SHED_OPT	Unsigned 8	Defines action to be taken on remote control device timeout.	None	0 (Uninitialized)
24	RCAS_OUT_D		Block setpoint and status provided to a supervisory Host for back calculation and to allow action to be taken under limiting conditions or mode change.	None	STATUS 0 (Bad) VALUE 0 (Close)
25	UPDATE_EVT		This alert is generated by any change to the static data	None	-UNACKNOWLEDGED 0 (Uninitialized) -ALARM_STATE 0 (Uninitialized) -TIME_STAMP 0 -SUB_CODE 0 -VALUE 0
26	BLOCK_ALM		The block alarm is used for all configuration, hardware, connection failure or system problems in the block. The cause of the alert is entered in the subcode field. The first alert to become active will set the Active status in the Status attribute. As soon as the Unreported status is cleared by the alert reporting task, another block alert may be reported without clearing the Active status, if the subcode has changed.	None	-UNACKNOWLEDGED 0 (Uninitialized) -ALARM_STATE 0 (Uninitialized) -TIME_STAMP 0 -SUB_CODE 0 -VALUE 0

(Appendix E Concluded)

Appendix F: PID Function Block Parameters

Index	Name	Type	Description	Units	Initial Values
1	ST_REV	Unsigned 16	The revision level of the static data associated with the function block. The revision value will be incremented each time a static parameter value in the block is changed.	None	0
2	TAG_DESC	Octet String	The user description of the intended application of the block.	None	
3	STRATEGY	Unsigned 16	The strategy field can be used to identify grouping of blocks. This data is not checked or processed by the block.	None	0
4	ALERT_KEY	Unsigned 8	The identification number of the plant unit. This information may be used in the host for sorting alarms, etc.	None	0
5	MOD_BLK		<u>The actual, target, permitted, and normal modes of the block.</u> Target: The mode to "go to" Actual: The mode the "block is currently in" Permitted: Allowed modes that target may take on Normal: Most common mode for target	None	- TARGET (OOS) - ACTUAL (OOS) - PERMITTED (ROut RCas Cas Auto Man OOS) - NORMAL (Auto)
6	BLOCK_ERR	Bit String	This parameter reflects the error status associated with the hardware or software components associated with a block. It is a bit string, so that multiple errors may be shown.	None	0
7	PV		Either the primary analog value for use in executing the function, or a process value associated with it. May also be calculated from the READBACK value of an AO block.	EU of PV_SCALE	- STATUS 0 - VALUE 0
8	SP		The analog setpoint of this block.	EU of PV_SCALE	- STATUS 0 - VALUE 0
9	OUT		The primary analog value calculated as a result of executing the function block.	EU of OUT_SCALE	- STATUS 0 - VALUE 0
10	PV_SCALE		The high and low scale values, engineering units code, and number of digits to the right of the decimal point to be used in displaying the PV parameter and parameters which have the same scaling as PV.	None	- EU_100 100 - EU_0 0 - UNITS_INDEX 1342(%) - DECIMAL 0
11	OUT_SCALE		The high and low scale values, engineering units code, and number of digits to the right of the decimal point to be used in displaying the OUT parameter and parameters which have the same scaling as OUT.	None	- EU_100 100 - EU_0 0 - UNITS_INDEX 1342(%) - DECIMAL 0
12	GRANT_DENY		Options for controlling access of host computers and local control panels to operating, tuning, and alarm parameters of the block.	None	- GRANT 0 - DENY 0
13	CONTROL_OPTS	Bit String	<u>Options which the user may select to alter the calculations done in a control block. Supported options are the following:</u> Bypass Enable SP-PV Track in Man SP-PV Track in ROut SP-PV Track in LO or lman SP Track retain Direct acting Track if Bad TRK_IN_D Track enable Track in manual PV for BKCaI_Out Restrict SP to limits in Cas and RCas No output limits in Man	None	0
14	STATUS_OPTS	Bit String	<u>Options which the user may select in the block processing of status.</u> IFS if Bad IN IFS if Bad CAS_IN Use Uncertain as Good Target to Man if Bad IN Target to next permitted mode if BAD CAS_IN Target to Man if Bad TRK_IN_D IFS if Bad TRK_IN_D	None	0

(Appendix F Continued on next page)

Appendix F: PID Function Block Parameters

Index	Name	Type	Description	Units	Initial Values
15	IN		Primary input value of the block, required for blocks that filter the input to get the PV.	EU of PV_SCALE	-STATUS 8 (Bad::NotConnected :NotLimited) -VALUE 0
16	PV_FTIME	Float	Time constant of a single exponential filter for the PV, in seconds.	Seconds	0
17	BYPASS	Unsigned 8	The normal control algorithm may be bypassed through this parameter. When bypass is set, the setpoint value (in percent) will be directly transferred to the output. To prevent a bump on transfer to/from bypass, the setpoint will automatically be initialized to the output value or process variable, respectively, and the path broken flag will be set for one execution.	None	0 (Uninitialized)
18	CAS_IN		This parameter is the remote setpoint value, which must come from another Fieldbus block, or a DCS block through a defined link.	EU of PV_SCALE	-STATUS 8 (Bad::NotConnected :NotLimited) -VALUE 0
19	SP_RATE_DN	Float	Ramp rate at which downward setpoint changes are acted on in Auto mode, in PV units per second. If the ramp rate is set to zero or the block is in a mode other than Auto, then the setpoint will be used immediately.	EU of PV_SCALE per second	Positive Infinity
20	SP_RATE_UP	Float	Ramp rate at which upward setpoint changes are acted on in Auto mode, in PV units per second. If the ramp rate is set to zero or the block is in a mode other than Auto, then the setpoint will be used immediately.	EU of PV_SCALE per second	Positive Infinity
21	SP_HI_LIM	Float	The setpoint high limit is in the highest setpoint operator entry that can be used for the block.	EU of PV_SCALE	100
22	SP_LO_LIM	Float	The setpoint low limit is the lowest setpoint operator entry that can be used for the block.	EU of PV_SCALE	0
23	GAIN	Float	Dimensionless value used by the block algorithm in calculating the block output.	None	1
24	RESET	Float	The integral time constant, in seconds per repeat.	Seconds per repeat	Positive Infinity
25	BAL_TIME	Float	This specifies the time for the internal working value or bias or ratio to return to the operator set bias or ratio, in seconds. In the PID block, it may be used to specify the time constant at which the integral term will move to obtain balance when the output is limited and the mode is Auto, Cas, or RCas.	Seconds	0
26	RATE	Float	Defines the derivative time constant, in seconds.	Seconds	0
27	BKCAL_IN		The value and status used for backwards tracking of the output, provided by a link to the back calculation output parameter of a downstream block.	EU of OUT_SCALE	-STATUS 8 (Bad::NotConnected :NotLimited) -VALUE 0
28	OUT_HI_LIM	Float	Limits the maximum output value for modes other than Manual.	EU of OUT_SCALE	100
29	OUT_LO_LIM	Float	Limits the minimum output value for modes other than Manual.	EU of OUT_SCALE	0

(Appendix F Continued on next page)

Appendix F: PID Function Block Parameters (Continued)

Index	Name	Type	Description	Units	Initial Values
30	BKCAL_HYS	Float	The amount that the block output must change away from its output limit before the limit status is turned off, expressed as a percent of the span of the output.	%	0.5
31	BKCAL_OUT		The output value and status provided to an upstream block for output tracking when the loop is broken or limited, as determined by the status bits. This information is used to provide bumpless transfer to closed loop control and to prevent windup under limited conditions when that becomes possible.	EU of PV_SCALE	-STATUS 0 -VALUE 0
32	RCAS_IN		Target setpoint and status provided by a supervisory Host to an analog control or output block.	EU of PV_SCALE	-STATUS 8 (Bad::NotConnected:No tLimited) -VALUE 0
33	ROUT_IN		Target output and status provided by a Host to the control block for use as the output (ROut mode).	EU of OUT_SCALE	-STATUS 8 (Bad::NotConnected:No tLimited) -VALUE 0
34	SHED_OPT	Unsigned 8	Defines action to be taken on remote control device timeout.	None	0 (Uninitialized)
35	RCAS_OUT		Block setpoint and status after ramping - provided to a supervisory Host for back calculation and to allow action to be taken under limiting conditions or mode change.	EU of PV_SCALE	-STATUS 0 -VALUE 0
36	ROUT_OUT		Block output and status - provided to a Host for back calculation in ROut mode and to allow action to be taken under limited conditions or mode change.	EU of OUT_SCALE	-STATUS 0 -VALUE 0
37	TRK_SCALE		The high and low scale values, engineering units code, and number of digits to the right of the decimal point associated with TRK_VAL.	None	-EU_100 100 -EU_0 0 -UNITS_INDEX 1342 (%) -DECIMAL 0
38	TRK_IN_D		This discrete input is used to initiate external tracking of the block output to the value specified by TRL_VAL.	None	-STATUS 8 (Bad::NotConnected:No tLimited) -VALUE 0
39	TRK_VAL		This input is used as the track value when external tracking is enabled in TRK_IN_D.	None	-STATUS 8 (Bad::NotConnected:No tLimited) -VALUE 0
40	FF_VAL		The feed forward value and status.	EU of FF_SCALE	-STATUS 0 -VALUE 0
41	FF_SCALE		The feed forward input high and low scale values, engineering units code, and number of digits to the right of the decimal point.	None	-EU_100 100 -EU_0 0 -UNITS_INDEX 1342 (%) -DECIMAL 0
42	FF_GAIN	Float	The gain that the feed forward input is multiplied by before it is added to the calculated control output.	None	0
43	UPDATE_EVT		This alert is generated by any change to the static data.	None	-UNACKNOWLEDGED 0 (Uninitialized) -UPDATE_STATE 0 (Uninitialized) -TIME_STAMP 0 -STATIC_REVISION 0 -RELATIVE_INDEX 0
44	BLOCK_ALM		The block alarm is used for all configuration, hardware, connection failure or system problems in the block. The cause of the alert is entered in the subcode field. The first alert to become active will set the Active status in the Status attribute. As soon as the Unreported status is cleared by the alert reporting task, another block alert may be reported without clearing the Active status, if the subcode has changed.	None	-UNACKNOWLEDGED 0 (Uninitialized) -ALARM_STATE 0 (Uninitialized) -TIME_STAMP 0 -SUB_CODE 0 (Other) -VALUE 0

Appendix F: PID Function Block Parameters (Continued)

Index	Name	Type	Description	Units	Initial Values
45	ALARM_SUM		The current alert status, unacknowledged states, unreported states, and disabled states of the alarms associated with the function block.	None	CURRENT 0 UNACKNOWLEDGED 0 UNREPORTED 0 DISABLED 0
46	ACK_OPTION	Bit String	Selection of whether alarms associated with the function block will be automatically acknowledged.	None	0
47	ALARM_HYS	Float	Amount the PV must return within the alarm limits before the alarm condition clears. Alarm hysteresis expressed as a percent of the span of the PV.	%	0.5
48	HI_HI_PRI	Unsigned 8	Priority of the high high alarm	None	0
49	HI_HI_LIM	Float	The setting for high high alarm in engineering units.	EU of PV_SCALE	Positive Infinity
50	HI_PRI	Unsigned 8	Priority of the high alarm.	None	0
51	HI_LIM	Float	The setting for high alarm in engineering units.	EU of PV_SCALE	Positive Infinity
52	LO_PRI	Unsigned 8	Priority of the low alarm.	None	0
53	LO_LIM	Float	The setting for the low alarm in engineering units.	EU of PV_SCALE	Negative Infinity
54	LO_LO_PRI	Unsigned 8	Priority of the low low alarm.	None	0
55	LO_LO_LIM	Float	The setting of the low low alarm in engineering units.	EU of PV_SCALE	Negative Infinity
56	DV_HI_PRI	Unsigned 8	Priority of the high deviation alarm.	None	0
57	DV_HI_LIM	Float	The setting of the high deviation alarm limit in engineering units.	EU of PV_SCALE	Positive Infinity
58	DV_LO_PRI	Unsigned 8	Priority of the low deviation alarm.	None	0
59	DV_LO_LIM	Float	The setting of the low deviation alarm limit in engineering units.	EU of PV_SCALE	Negative Infinity
60	HI_HI_ALM		The status for high high alarm and its associated time stamp.	None	-UNACKNOWLEDGED 0(Uninitialized) -ALARM_STATE 0 (Uninitialized) -TIME_STAMP 0 -SUB_CODE 0 (Other) -VALUE 0
61	HI_ALM		The status for high alarm and its associated time stamp.	None	-UNACKNOWLEDGED 0(Uninitialized) -ALARM_STATE 0 (Uninitialized) -TIME_STAMP 0 -SUB_CODE 0 (Other) -VALUE 0
62	LO_ALM		The status of the low alarm and its associated time stamp.	None	-UNACKNOWLEDGED 0(Uninitialized) -ALARM_STATE 0 (Uninitialized) -TIME_STAMP 0 -SUB_CODE 0 (Other) -VALUE 0
63	LO_LO_ALM		The status of the low low alarm and its associated time stamp.	None	-UNACKNOWLEDGED 0(Uninitialized) -ALARM_STATE 0 (Uninitialized) -TIME_STAMP 0 -SUB_CODE 0 (Other) -VALUE 0
64	DV_HI_ALM		The status and time stamp associated with the high deviation alarm.	None	-UNACKNOWLEDGED 0(Uninitialized) -ALARM_STATE 0 (Uninitialized) -TIME_STAMP 0 -SUB_CODE 0 (Other) -VALUE 0

(Appendix F Continued on next page)

Appendix F: PID Function Block Parameters (Continued)

Index	Name	Type	Description	Units	Initial Values
65	DV_LO_ALM		The status and time stamp associated with the low deviation alarm.	None	- UNACKNOWLEDGED 0 (Uninitialized) - ALARM_STATE 0 (Uninitialized) - TIME_STAMP 0 - SUB_CODE 0 (Other) - VALUE 0
66	BIAS	Float	The bias value used to calculate output for a PD-type controller.	EU of OUT_SCALE	0
67	ERROR	Float	The error (SP-PV) used to determine the control action.	EU of PV_SCALE	0
68	SP_WORK	Float	The working setpoint of the block after limiting and filtering is applied.	EU of PV_SCALE	0
69	SP_FTIME	Float	The time constant of the first-order SP filter. It is the time required for a 63 percent change in the IN value.	Seconds	0
70	MATHFORM	Unsigned 8	Selects equation form (series or standard). Supported values: 0: Standard, 1: Series.	None	0 (Standard)
71	STRUCTRECONFIG	Unsigned 8	Defines the structure of the PID equations. Supported options are the following: 0: PID terms on error 1: PI terms on error, D term on PV 2: I terms on error, PD term on PV 3: PD terms on error 4: P term on error, D term on PV 5: ID terms on error 6: I term on error, D term on PV 7: 2 Deg. of Freedom PID	None	1 (PI terms on error, D term on PV)
72	GAMMA	Float	The proportional gain value. This value cannot be zero.	%	0
73	BETA	Float	Weighting factor for derivative action when STRUCTURE_CONFIG is 2 Deg. of Freedom.	%	1
74	IDEADBAND	Float	Deadband that is applied to the integrator term.	None	0
75	STDDEV	Float	Standard deviation of the measurement.	%	0
76	CAP_STDDEV	Float	Capability standard deviation, the best deviation that can be achieved.	Seconds	0
77	T_REQUEST	Bit String	Operator request to initiate/control autotuning. Supported values: - Request tuning - Force tuning - Reset Tuner	None	0
78	T_STATE	Unsigned 8	Current auto tuner state.	None	0
79	T_STATUS	Bit String	Auto tuner status, supported options: - Scan Rate Too Low Warning - Insufficient Process Response (Obsolete) - Scan Rate Too High Warning - Inverse Direct Acting Error - PV Deviation Too Large - Initial PV Deviation Too Large - PV Limited Or Constant - PV Bad - Invalid Mode For Tuning - BKCAL_IN Non Good Or Limited - Out Limited - Bypass Active - Mode Changed - Tracking Active - Disconnected - SP Changed	None	0

(Appendix F Continued on next page)

Appendix F: PID Function Block Parameters (Concluded)

Index	Name	Type	Description	Units	Initial Values
80	T_IPGAIN	Float	Integrated process gain.	None	0
81	T_UGAIN	Float	Ultimate gain.	None	0
82	T_UPERIOD	Float	Ultimate period.	None	0
83	T_PSGAIN	Float	Process static gain.	None	0
84	T_PTIMEC	Float	Process time constant.	None	0
85	T_PDTIME	Float	Process dead time.	None	0
86	T_TARGETOP	Unsigned 8	Target oscillation periods.	None	2
87	T_HYSTER	Float	Hysteresis.	None	0
88	T_RELAYSS	Float	Relay step size.	None	3
89	T_GAIN_MAGNIFIER	Float	Scales amount of gain.	None	1
90	T_AUTO_EXTRA_DT	Unsigned 8	Allows additional cycle with extra deadtime.	None	0
91	T_AUTO_HYSTERESIS	Unsigned 8	Allows calculation of hysteresis based on CAP_STDDEV.	None	0
92	T_AOPERIODS	Unsigned 8	Actual oscillation periods.	None	0
93	FRSIPID_OPTS	Bit String	Turning Properties, supported options: - Dynamic Reset Limits - Use Delayed OUT on BadPV - Use Nonlinear Gain Modification - Use PIDPlus		

Appendix H: Specifications and Reference Data

Intrinsically Safe Input Parameters: Bus Connector pins 1 to 3	
I.S. Parameters	
U _i	30V
I _i	380mA
P _i	1.5W
C _i	5nF
L _i	10μH
FISCO Parameters	
U _i	17.5V
I _i	380mA
P _i	5.32W
C _i	5nF
L _i	10μH

Electrical Specifications	
Current Consumption	17.65mA nominal
Maximum Applied Voltage	35VDC
Operating Voltage	9-32VDC
Fieldbus Specifications	
Topology	Point to Point Bus with Spurs Daisy Chain Tree
Cable	Twisted Pair
Bus Length	1900m (max)
Transmission Speed	31.25 kbit/s
Intrinsically Safe	Yes
Function Block Execution Times	DI: 15ms AI: 15ms DO: 20ms PID: 20ms

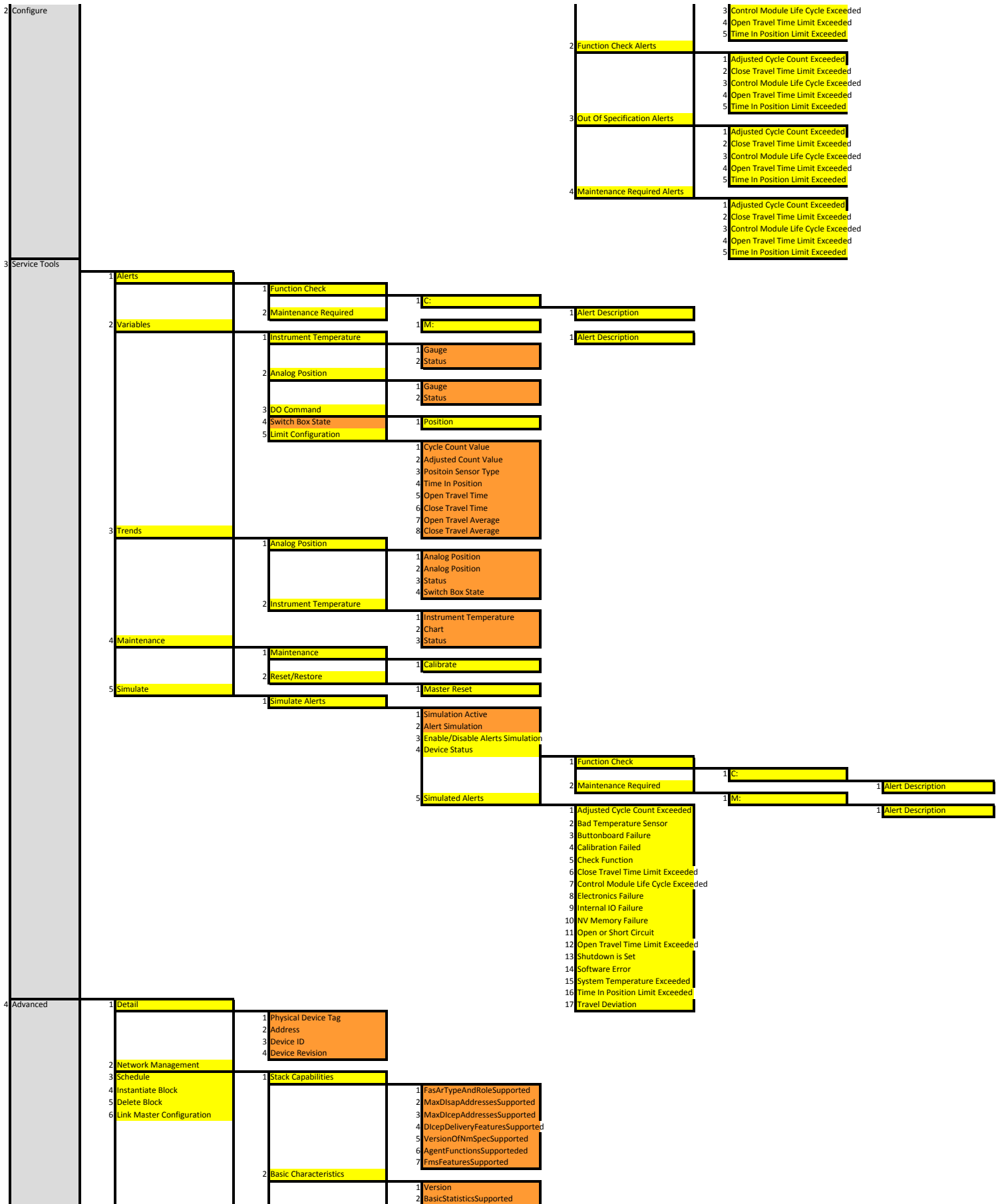
Appendix G: Detailed Menu Tree (Continued)

2 Configure	5 Classic View	1 Resource Block	4 Open Travel Lo Limit 5 Open Travel Avg Lo Limit 6 Close Travel Average 7 Close Travel Hi Limit 8 Close Travel Avg Hi Limit 9 Close Travel Lo Limit 10 Close Travel Avg Lo Limit	1 Characteristics	1 DD Resource 2 Manufacturer 3 Device Type 4 Device Revision 5 Block Tag 6 Tag Description 7 ITK Version 8 Revision 9 Compatability Revision 10 Hardware 11 Software 12 Physical Device Tag 13 Device String 14 Device Options 15 Output Board Serial Number 16 Control Card Software 17 Final Assembly Number 18 Health Index	2 Standard Parameters	1 Plant Unit 2 Strategy 3 Actual Mode 4 Target Mode 5 Permitted Mode 6 Features Available 7 Features Selected 8 Device State 9 Restart 10 Cycle Type 11 Cycle Selection 12 Minimum Cycle Tie 13 Memory Size 14 Nonvolatile Cycle Time 15 Free Space 16 Shed Remote Cascade 17 Shed Remote Out 18 Fault State 19 Set Fault State 20 Clear Fault State 21 Max Notify 22 Limit Notify 23 Confirm Time 24 Write Lock 25 Update Event 26 Download Mode 27 Distributor	1 Auto 2 Man 3 OOS	1 Auto 2 Man 3 OOS	1 Auto 2 Man 3 OOS	1 Unacknowledged 2 Update State 3 Time Stamp 4 Static Rev 5 Relative Index											
												3 Diagnostics	1 Block Error 2 Block Alarm 3 Alarm Summary 4 Acknowledge Option 5 Write Priority 6 Write Alarm 7 Extended Active 8 Extended Map	1 Unacknowledged 2 Alarm State 3 Time Stamp 4 Subcode 5 Value	1 Unacknowledged 2 Alarm State 3 Time Stamp 4 Subcode 5 Discrete Value							
																2 Transducer Block	1 Standard Parameters	1 Actual Mode 2 Target Mode 3 Permitted Mode 4 Block Tag 5 Firmware Type 6 Position Sensor Type 7 Manufacturer 8 Model Number 9 Valve Controller Serial Number 10 Valve 11 Actuator Fail Action	1 Auto 2 Man 3 OOS	1 Auto 2 Man 3 OOS	1 Auto 2 Man 3 OOS	1 Model Number

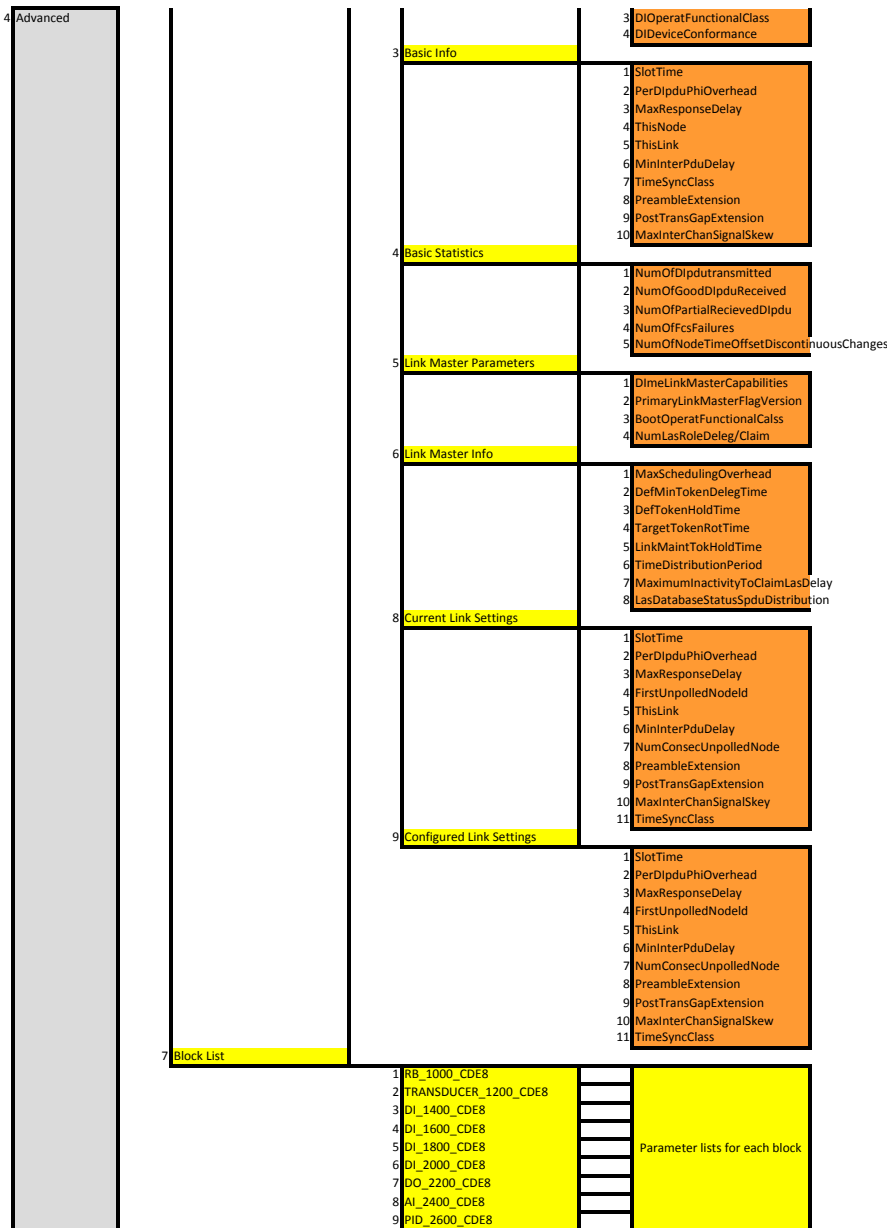
Appendix G: Detailed Menu Tree (Continued)

2	Configure	2	Temperature	1	Enabled Failure Alerts	4	Maintenance Required Alerts	3	Internal IO Failure														
					2	1	Bad Temperature Sensor	1	Check Function														
							2		2	System Temperature Exceeded	2	Electronics Failure											
										3		3	Internal IO Failure										
													4	4	NV Memory Failure								
															5	5	Software Error						
																	1	1	Bad Temperature Sensor				
																			2	2	System Temperature Exceeded		
																					3	3	Internal IO Failure
																							4
5	5	Software Error																					
		1	1	Bad Temperature Sensor																			
				2	2	System Temperature Exceeded																	
						3	3	Internal IO Failure															
								4	4	NV Memory Failure													
										5	5	Software Error											
												1	1	Failure Alerts									
														2	2	Function Check Alerts							
																3	3	Out Of Specification Alerts					
																		4	4	Maintenance Required Alerts			
5	5																			Suppressed Temperature Alerts			
		1	1																	Bad Temperature Sensor			
				2	2															System Temperature Exceeded			
						3	3													Internal IO Failure			
								4	4											NV Memory Failure			
										5	5									Software Error			
												1	1							Bad Temperature Sensor			
														2	2					System Temperature Exceeded			
																3	3			Internal IO Failure			
																		4	4	NV Memory Failure			
5	5																			Software Error			
		1	1																	Bad Temperature Sensor			
				2	2															System Temperature Exceeded			
						3	3													Internal IO Failure			
								4	4											NV Memory Failure			
										5	5									Software Error			
												1	1							Buttonboard Failure			
														2	2					Calibration Failed			
																3	3			Open or Short Circuit			
																		4	4	Shutdown is Set			
5	5																			Travel Deviation			
		1	1																	Buttonboard Failure			
				2	2															Calibration Failed			
						3	3													Open or Short Circuit			
								4	4											Shutdown is Set			
										5	5									Travel Deviation			
												1	1							Buttonboard Failure			
														2	2					Calibration Failed			
																3	3			Open or Short Circuit			
																		4	4	Shutdown is Set			
5	5																			Travel Deviation			
		1	1																	Buttonboard Failure			
				2	2															Calibration Failed			
						3	3													Open or Short Circuit			
								4	4											Shutdown is Set			
										5	5									Travel Deviation			
												1	1							Failure Alerts			
														2	2					Function Check Alerts			
																3	3			Out Of Specification Alerts			
																		4	4	Maintenance Required Alerts			
5	5																			Suppressed Process Alerts			
		1	1																	Buttonboard Failure			
				2	2															Calibration Failed			
						3	3													Open or Short Circuit			
								4	4											Shutdown is Set			
										5	5									Travel Deviation			
												1	1							Buttonboard Failure			
														2	2					Calibration Failed			
																3	3			Open or Short Circuit			
																		4	4	Shutdown is Set			
5	5																			Travel Deviation			
		1	1																	Buttonboard Failure			
				2	2															Calibration Failed			
						3	3													Open or Short Circuit			
								4	4											Shutdown is Set			
										5	5									Travel Deviation			
												1	1							Buttonboard Failure			
														2	2					Calibration Failed			
																3	3			Open or Short Circuit			
																		4	4	Shutdown is Set			
5	5																			Travel Deviation			
		1	1																	Adjusted Cycle Count Exceeded			
				2	2															Close Travel Time Limit Exceeded			
						3	3													Control Module Life Cycle Exceeded			
								4	4											Open Travel Time Limit Exceeded			
										5	5									Time In Position Limit Exceeded			
												1	1							Adjusted Cycle Count Exceeded			
														2	2					Close Travel Time Limit Exceeded			
																3	3			Control Module Life Cycle Exceeded			
																		4	4	Open Travel Time Limit Exceeded			
5	5																			Time In Position Limit Exceeded			
		1	1																	Adjusted Cycle Count Exceeded			
				2	2															Close Travel Time Limit Exceeded			
						3	3													Control Module Life Cycle Exceeded			
								4	4											Open Travel Time Limit Exceeded			
										5	5									Time In Position Limit Exceeded			
												1	1							Adjusted Cycle Count Exceeded			
														2	2					Close Travel Time Limit Exceeded			
																3	3			Control Module Life Cycle Exceeded			
																		4	4	Open Travel Time Limit Exceeded			
5	5																			Time In Position Limit Exceeded			
		1	1																	Adjusted Cycle Count Exceeded			
				2	2															Close Travel Time Limit Exceeded			
						3	3													Control Module Life Cycle Exceeded			
								4	4											Open Travel Time Limit Exceeded			
										5	5									Time In Position Limit Exceeded			
												1	1							Failure Alerts			
														2	2					Adjusted Cycle Count Exceeded			
																3	3			Close Travel Time Limit Exceeded			

Appendix G: Detailed Menu Tree (Continued)



Appendix G: Detailed Menu Tree (Concluded)



Appendix H: Specifications and Reference Data

Intrinsically Safe Input Parameters: Bus Connector pins 1 to 3	
I.S. Parameters	
Ui	30V
Ii	380mA
Pi	1.5W
Ci	5nF
Li	10µH
FISCO Parameters	
Ui	17.5V
Ii	380mA
Pi	5.32W
Ci	5nF
Li	10µH

Electrical Specifications	
Current Consumption	17.65mA nominal
Maximum Applied Voltage	35VDC
Operating Voltage	9-32VDC
Fieldbus Specifications	
Topology	Point to Point Bus with Spurs Daisy Chain Tree
Cable	Twisted Pair
Bus Length	1900m (max)
Transmission Speed	31.25 kbit/s
Intrinsically Safe	Yes
Function Block Execution Times	DI: 15ms AI: 15ms DO: 20ms PID: 20ms

Appendix I: Host Compatibility Sheet

Manufacturer	Host System Name	Version Supported	Notes
Emerson	DeltaV Distributed Control System	10.3, 11.3, 13.3, 14.3	
	Asset Management System (AMS)	10.5, 11.0, 11.1, 11.5, 12.0, 12.5, 13.0, 13.5, 14.0	Planned release of AMS Install kit for version 14.3 is end of December 2018
	475 Field Communicator	3.9	Support for 475 Field Communicator ends by October 2020
	AMS Trex Communicator	1.3.17263.2 or Higher	
Honeywell	Experion PKS	R410.8	
Yokogawa	Plant Resource Manager (PRM)	R3.30 Centum VP R5.0	
	Fieldmate	R3.01.10	
ABB	800xA	5.1 FP4	
GE	Mark Vie Host	V06.05.00C	

Certifications & Approvals



Ex ib IIC T* GB; Ex tb IIIC T* Db
IECEX BAS 11.0022X / Baseefa 11ATEX0035X /
BAS22UKEX0039X
USL/CNL Class I, Div 1, GrABCD; UL File E125326
EAC TC RU C-US.ΓΠ02.B.00056
InMetro UL-BR 18.0098X
CCC: 2021312304001171; 2021312304001194;
2021312304001206
(ITRI) 2021 07-00216X

Ex db IIC T* Gb or Ex db IIB+H2 T* Gb; Ex tb IIC T* Db
IECEX SIR 07.0093X / Sira 07ATEX1273X / CSAE
21UKEX1402X
USL/CNL Class I, Div 1, GrCD; Class II, Div 1, GrEFG;
UL File E125326
EAC TC RU C-US.MIO62.B.00207-19
KOSHA 19-GA480-0178X, 19-GA4BO-0179X & 19-
GA4BO-0180X
InMetro UL-BR 18.0096X
CCC: 2022312304001290; 2022312304001296;
2022312304001297
(ITRI) 2021 07-00175X
PESO P433642/1

Ex ec nC IIC T* Gc; Ex tb IIIC T* Dc
IECEX BAS 11.0023X / Baseefa 11ATEX0036X /
BAS22UKEX0040X
USL/CNL Class I, Div 2, GrABCD; Class II, Div 2,
GrFG (DXR)
USL/CNL Class 1, Div 1 GrCD; Class 1, Div 2
GrABCD; Class 2, Div 2 GrFG (DXP/S)
CCC: 2021312304001172; 2021312304001195;
2021312304001205
(ITRI) 2021 07-00218X
UL File E125326

USL/CNL General Purpose
UL File E359150

Environmental Ratings: Type 4, 4X; IP 66/67

Conformance to Directives: ATEX 2014/34/EU, EMC 2014/30/EU, LVD 2014/35/EU

*Operating and Ambient temperature ratings vary depending on bus/sensor option(s), reference certificate for specific markings available.

Consult factory for certification questions or to request a custom product.

Safe Use

Special Conditions of Safe Use (All installations)

Clean only with a damp cloth to prevent possibility of electrostatic discharge. For Explosion Proof installations, the internal ground connection shall be used and the external ground connection, if supplied in addition, is supplemental bonding allowed where local authorities permit, or is required. When installing with a third party listed nipple-mount solenoid, it is the responsibility of the installer to provide fittings, and apparatus, suitable for the area classification in accordance with the National Electrical Code. All cable entry devices or conduit stopping boxes shall be certified in type of explosion protection 'd', suitable for the conditions of use and correctly installed. The IIC enclosures are excluded from use in carbon disulphide atmospheres. The air pressure to the valve block, when fitted, shall not exceed 7bar. For ambient temperatures higher than 110°C, the IP66/IP67 protection level is not guaranteed. When fitted, only non-combustible fluids may be used in the pneumatic circuit. DXR enclosure models shall only be installed in a location where there is a low risk of mechanical damage.

Preventative Maintenance

The TopWorx™ is designed to operate for one million cycles without servicing. Call TopWorx when you are approaching this milestone for a preventative maintenance kit and instructions.

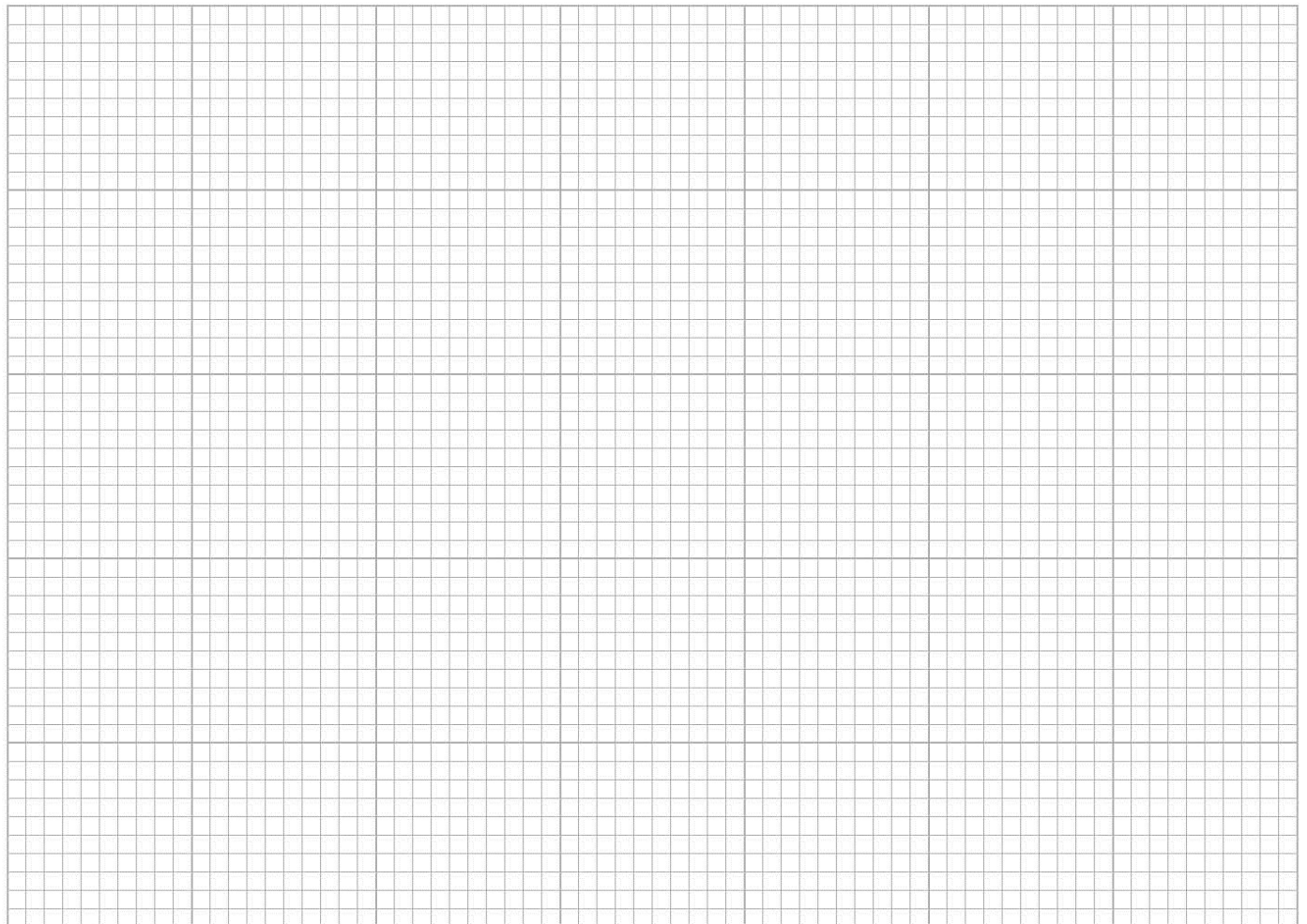
Recommended Operating Temperatures

No Approvals (DXP/DXS) *DXR Enclosure limited to -40°C to 80°C			
Option	Switch Description	Switchbox (NO Integrated Solenoid)	Switchbox (WITH Integrated Solenoid)
FF	Foundation Fieldbus	-40 to +80°C	Consult Factory
FL	Foundation Fieldbus w/GO	-40 to +80°C	Consult Factory
FP	FF w/GO and potentiometer	-40 to +80°C	Consult Factory

TopWorx™ D-Series Replacement Part Number List

Pilot Replacement Kits	
AV-SP20PMRK	Piezo pilot/manifold replacement kit
Spool Valve Replacement Assemblies	
AV-AB1A20	ASCO 8551 Spool Valve, Fail Open/Closed, Aluminum
AV-AB1620	ASCO 8551 Spool Valve, Fail Open/Closed, SST
AV-AV2A20	ASCO 8551 Spool Valve, Fail Last, Aluminum
AV-AB2620	ASCO 8551 Spool Valve, Fail Last, SST
AV-AB1A30	ASCO 8553 Spool Valve, Fail Open/Closed, Aluminum
AV-AB1630	ASCO 8553 Spool Valve, Fail Open/Closed, SST
AV-AB2A30	ASCO 8553 Spool Valve, Fail Last, Aluminum
AV-AB2630	ASCO 8533 Spool Valve, Fail Last, SST

Notes:



GLOBAL SUPPORT OFFICES

North America

3300 Fern Valley Road
Louisville, Kentucky 40213 USA
+1 502 969 8000
info.topworx@emerson.com

Middle East

P.O. Box 17033
Jebel Ali Free Zone
Dubai 17033
United Arab Emirates
+971 4 811 8283
info.topworx@emerson.com

Asia-Pacific

Asia Pacific Pte Ltd - TopWorx
c/o ASCO ASIA
BLK4008, Ang Mo Kio Avenue 10
#04-17/22, Techplace 1
Singapore 569625
+65 6891 7550
info.topworx@Emerson.com

Africa

24 Angus Crescent
Longmeadow Business Estate East
Modderfontein
Gauteng
South Africa
+27 11 451 3700
info.topworx@emerson.com

Europe

Horsfield Way
Bredbury Industrial Estate
Stockport SK6 2SU
United Kingdom
+44 0161 406 5155
info.topworx@emerson.com

Visit www.topworx.com for comprehensive information on our company, capabilities, and products – including model numbers, data sheets, specifications, dimensions, and certifications.

info.topworx@emerson.com

www.topworx.com

The Emerson logo is a trademark and a service mark of Emerson Electric Co. ©2015 Emerson Electric Co. ©2015 TopWorx, All rights reserved. TopWorx, Valvetop, and GOSwitch are trademarks of TopWorx. All other marks used in this document are the property of their respective owners. Information contained herein - including product specifications is subject to change without notice.



ES-02512-1 AC

EMERSON. CONSIDER IT SOLVED.™