



YARWAY B302 AND B303 BIMETALLIC STEAM TRAPS

INSTALLATION, OPERATION AND MAINTENANCE INSTRUCTIONS

Before installation, these instructions must be carefully read and understood.

GENERAL

These instructions must be carefully read before any work involving products supplied by Yarway is undertaken.

The installation procedure is a critical stage in the life of a steam trap and care should be taken to avoid damage to the trap or equipment.

WARNING

At start up, the presence of small particles in the water (dirt, scale, weld splatters, etc) may cause an imperfect closure of the seat. If this occurs, clean the equipment accordingly.

Do not touch the equipment without appropriate protection during operation because it may conduct heat if the used fluid is at high temperature.

Before starting maintenance, be sure that the equipment is not pressurized or hot.

The equipment must be used within their pressure and temperature limits, otherwise they may fail (refer to nameplate or documentation).

Do not remove the nameplate attached to the equipment. Serial number and other useful information is stamped on it.

BODY LIMITING CONDITIONS - B302 AND B303

Flanged PN40 / ANSI 300*		Flanged ANSI 150**		Related Temperature	
Allowable Pressure		Allowable Pressure		°F	°C
psi	bar	psi	bar		
580	40	280	19.3	122	50
507	35	229	15.8	302	150
441	30.4	175	12.1	482	250
400	27.6	148	10.2	572	300

* According to EN1092-1:2007; ** According to EN1759-1:2004

Body limiting conditions PN40 or below, depending on the type of connection adopted. Rating PN40 for thread, SW and BW.

Limiting Conditions	B302	B303
Maximum Operating Pressure (PMO)	247 psi (17 bar)	465 psi (32 bar)
Maximum Operating Temperature (TMO)	482°F (250°C)	572°F (300°C)

YARWAY B302 AND B303 BIMETALLIC STEAM TRAPS

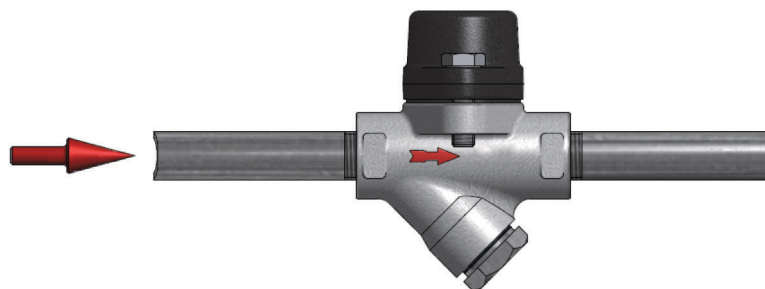
INSTALLATION, OPERATION AND MAINTENANCE INSTRUCTIONS

INSTALLATION

ATTENTION

Before installation, remove plastic covers placed on flanges or connection ends. The equipment has an arrow or Inlet/Outlet designations. Be sure that it is installed in the appropriate direction.

Install the steam trap at the point of the system where the condensate tends to collect. A Yarway strainer can be installed upstream of the trap as additional protection.



RECOMMENDED INSTALLATION

MAINTENANCE

We recommend that the steam traps are serviced as necessary. Steam traps should be checked periodically (at least yearly), to verify that they are operating correctly and to clean the internal parts and strainer screen.

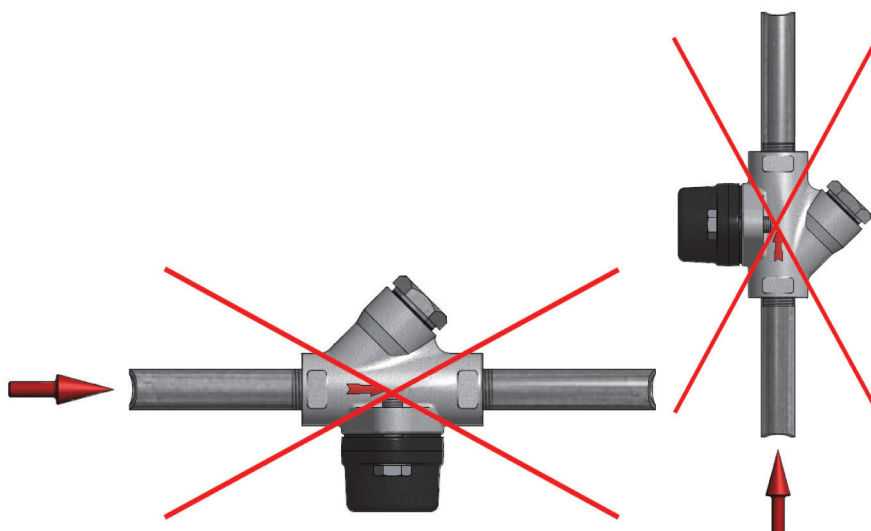
When reassembling, make sure that all gasket faces are clean and always use a new gasket. Tighten cover bolts uniformly in a diagonal sequence.

For additional information, refer to the B302 and B303 Bulletins or consult our Sales Office.

CE Marking

This product has been designed for use on steam and water which are in Group 2 of the European PED-Pressure Equipment Directive and it complies with those requirements.

The product falls within category SEP and must not be CE marked.



WRONG INSTALLATION

PRODUCT RETURNS

ATTENTION

Information regarding any hazards and precautions to be considered because of contaminating fluids and residues or mechanical damage that may represent a health, safety or environmental risk, must be provided in writing when returning products to engineering.

Health and safety data sheets regarding substances identified as hazardous or potentially hazardous must be provided with the information mentioned above.

ATTENTION

LOSS OF WARRANTY: Total or partial disregard of above instructions involves loss of any right to warranty.

YARWAY B302 AND B303 BIMETALLIC STEAM TRAPS

INSTALLATION, OPERATION AND MAINTENANCE INSTRUCTIONS

PARTS LIST AND TORQUE VALUES

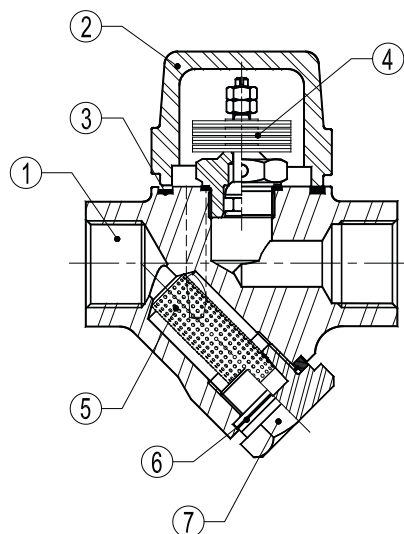
PARTS LIST FOR B302

Designation	Trap Size	Key Number	Quantity
Valve Regulator & Gasket	½" (DN 15) - 1" (DN 25)	3, 4	1 set
Strainer Screen & Gasket	½" (DN 15) - 1" (DN 25)	5, 6	1 set
Cover Gasket	½" (DN 15) - 1" (DN 25)	3	1 set

RECOMMENDED TIGHTENING TORQUES

Key Number	Trap Size	N•m
4	½" (DN 15) - ¾" (DN 20)	120
7	½" (DN 15) - ¾" (DN 20)	50

Remarks: Tighten cover bolts uniformly.



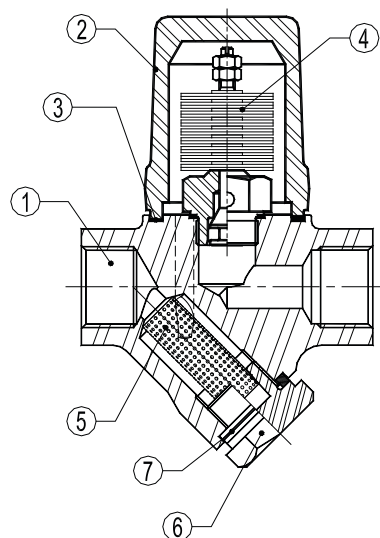
PARTS LIST FOR B303 ½" (DN 15) - 1" (DN 25)

Designation	Trap Size	Key Number	Quantity
Valve Regulator & Gasket	½" (DN 15) - 1" (DN 25)	3, 4	1 set
Strainer Screen & Gasket	½" (DN 15) - 1" (DN 25)	5, 7	1 set
Cover Gasket	½" (DN 15) - 1" (DN 25)	3	1 set

RECOMMENDED TIGHTENING TORQUES

Key Number	Trap Size	N•m
4	½" (DN 15) - 1" (DN 25)	120
6	½" (DN 15) - 1" (DN 25)	50

Remarks: Tighten cover bolts uniformly.



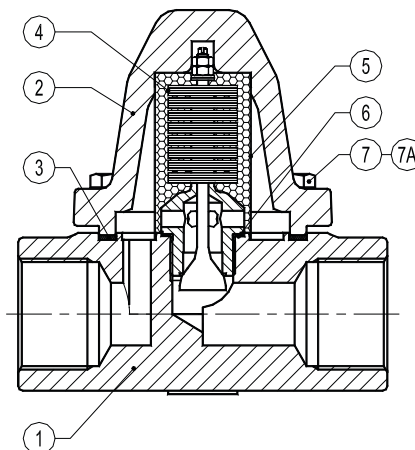
PARTS LIST FOR B303 1½" (DN 40) - 2" (DN 50)

Designation	Trap Size	Key Number	Quantity
Valve Regulator & Gasket	1½" (DN 40) - 2" (DN 50)	3, 4	1 set
Strainer Screen & Gasket	1½" (DN 40) - 2" (DN 50)	5, 7	1 set
Cover Gasket	1½" (DN 40) - 2" (DN 50)	3	1 set

RECOMMENDED TIGHTENING TORQUES

Key Number	Trap Size	N•m
7	1½" (DN 40) - 2" (DN 50)	120

Remarks: Tighten cover bolts uniformly.



YARWAY B302 AND B303 BIMETALLIC STEAM TRAPS

INSTALLATION, OPERATION AND MAINTENANCE INSTRUCTIONS

NOTE

Any malfunction of this product must be reported to the service department. Repair made to the product by unauthorized personnel will void the warranty.

RIGHT TO KNOW LAWS AND OSHA STANDARD 29CFR (1910.1200)

Material Safety Data Sheets on the following Yarway products:

Valves, Steam Traps and Strainers

The OSHA Hazard Communication Standard 29CFR 1910.1200, states that the standard does not apply to "articles." The standard defines an article as:

"A manufactured item formed to a specific shape or design for a particular use which does not release or otherwise expose an employee to a hazardous chemical under normal conditions of use."

The above named products fall within the definition of an "article"; no Material Safety Data Sheets are available or required. Our product is manufactured as an "end product."

If the product is a weld end, the following applies.

WARNING

Materials used in manufacture of Yarway products are considered in a stable condition when shipped. However, under certain conditions, purchasers could create potential hazardous conditions by their future operations.

CAUTION

Welding, cutting, burning, machining or grinding of this product can generate toxic dust and fumes of potentially hazardous ingredients. The dust or fumes can cause irritation of the respiratory tract, nose, throat, skin and eyes. It may cause temporary or permanent respiratory disease in a small percentage of exposed individuals. Use moderate ventilation when grinding or welding. Avoid breathing dust, fumes or mist. Avoid prolonged skin contact with dust or mist. Maintain dust levels below OSHA and ACGIH levels. Use protective devices. Wash hands thoroughly after contact with dust before eating or smoking.

Neither Emerson, Emerson Automation Solutions, nor any of their affiliated entities assumes responsibility for the selection, use or maintenance of any product. Responsibility for proper selection, use, and maintenance of any product remains solely with the purchaser and end user.

Yarway is a mark owned by one of the companies in the Emerson Automation Solutions business unit of Emerson Electric Co. Emerson Automation Solutions, Emerson and the Emerson logo are trademarks and service marks of Emerson Electric Co. All other marks are the property of their respective owners.

The contents of this publication are presented for informational purposes only, and while every effort has been made to ensure their accuracy, they are not to be construed as warranties or guarantees, express or implied, regarding the products or services described herein or their use or applicability. All sales are governed by our terms and conditions, which are available upon request. We reserve the right to modify or improve the designs or specifications of such products at any time without notice.

Emerson.com/FinalControl