

# Models 4000 and 4100 Free Vents

## Table of Contents

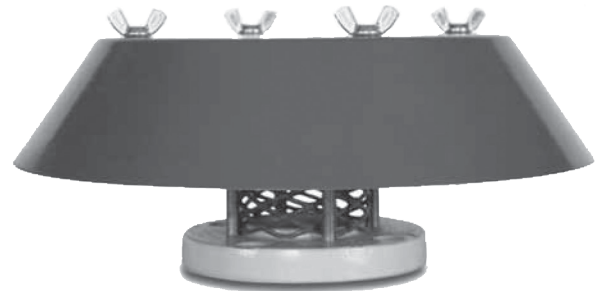
Introduction..... 1  
 Specifications ..... 2  
 Installation ..... 2  
 Maintenance..... 2

 **WARNING**

Failure to follow these instructions or to properly install and maintain this equipment could result in an explosion, fire and/or chemical contamination causing property damage and personal injury or death.

Enardo free vents must be installed, operated and maintained in accordance with federal, state and local codes, rules and regulations, and Emerson Process Management Regulator Technologies Tulsa, LLC instructions.

Failure to correct trouble could result in a hazardous condition. Call a qualified service person to service the unit. Installation, operation and maintenance procedures performed by unqualified person may result in improper adjustment and unsafe operation. Either condition may result in equipment damage or personal injury. Only a qualified person must install or service the free vent.



Model 4000



Model 4100

Figure 1. Models 4000 and 4100 Free Vents

## Introduction

### Scope of the Manual

This Instruction Manual provides instructions for installation and maintenance for the Models 4000 and 4100 free vents.

# Models 4000 and 4100

## Specifications

The Specifications section lists the specifications for the Models 4000 and 4100 free vents. The following information is stamped on the name plate attached to the free vent: Model, Connection Size, Material, Flange Type and other options.

<p><b>Available Constructions</b> See Figure 2</p> <p><b>Flange Rating</b> CL150</p>	<p><b>Flange Sizes</b> 2 to 12 in. / 50 to 300 mm</p> <p><b>Construction Materials</b> Aluminum, Carbon steel, 304 Stainless steel, 316 Stainless steel and Special<sup>(1)</sup></p>
--	---

1. Contact your local Sales Office for the available special materials.

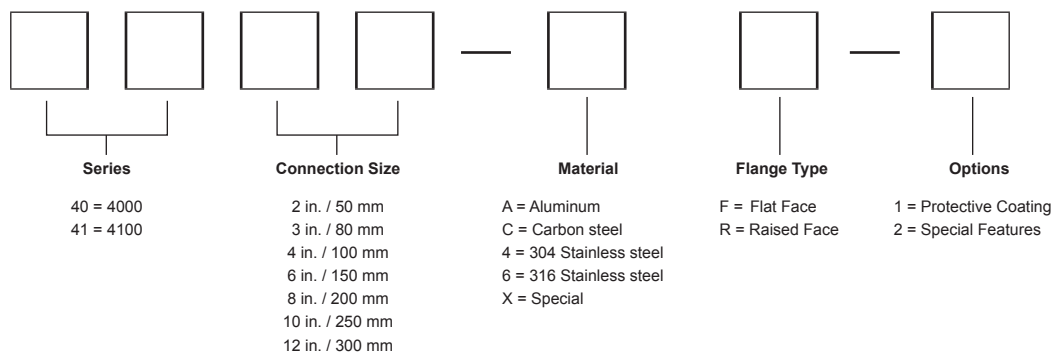


Figure 2. Models 4000 and 4100 Free Vents Model Numbering System

## Product Description

Models 4000 and 4100 free vents are used on tanks containing liquids with low volatility where evaporative losses are not of particular concern. Free vents protect the tank from positive or negative overpressure by providing an open venting port.

## Installation



### WARNING

**Make certain line is free of hazardous vapors before installing or servicing the product. Always observe safe work practices.**

1. Install the free vent on a level mating flange with an appropriate gasket, bolts and nuts.

2. Insert the bolts into the base bolt holes through the gasket and mounting flange.
3. Tighten the nuts evenly.

## Maintenance

Models 4000 and 4100 free vents require minimal maintenance.

1. Visually inspect the vent screen. Ensure that the vent screen is open and free of obstructions.
2. Clean the screen or vent hood periodically to remove residue or dust collected on the screen or vent.
3. Clean the hood if necessary. Remove the wing nuts to remove the hood.
4. Replace the hood after cleaning and reattach with the existing wing nuts.
5. After making any adjustment and maintenance on the free vent, use new flange gasket.

# Models 4000 and 4100

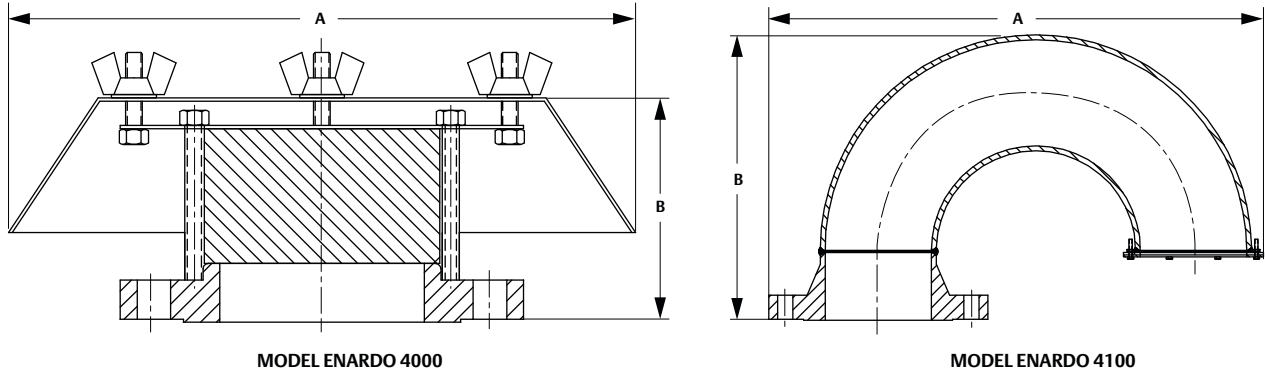


Figure 3. Models 4000 and 4100 Dimensions

Table 1. Models 4000 and 4100 Dimension and Weight<sup>(1)</sup>

MODEL	CL150 FLANGE SIZE		A WIDTH		B HEIGHT		APPROXIMATE SHIPPING WEIGHT	
	In.	mm	In.	mm	In.	mm	lbs.	kg
4000	2	50	9	229	3-1/4	83	11	5
	3	80	9	229	3-1/4	83	14	6.4
	4	100	16-1/2	419	5	127	18	8
	6	150	16-1/2	419	5	127	28	13
	8	200	24-1/2	662	6-9/16	167	42	19
	10	250	24-1/2	662	6-9/16	167	60	27
	12	300	24-1/2	662	6-9/16	167	95	43
4100	2	50	11	279	6	170	8	4
	3	80	15-1/4	387	9	229	20	9
	4	100	19-1/2	495	11-1/4	286	35	16
	6	150	27-1/2	699	15-13/16	402	70	32
	8	200	35-3/4	908	20-5/16	516	135	61
	10	250	44	1118	24-3/8	619	235	107
	12	300	52-1/2	1334	27-7/8	708	350	159

1. Larger sizes are available on special order.

# Models 4000 and 4100

---

**Emerson Process Management  
Regulator Technologies Tulsa, LLC**

9932 East 58th Street  
Tulsa, OK 74146-6411

Tel: +1 918 662 6161  
Fax: +1 918 662 0004

For further information visit [www.enardo.com](http://www.enardo.com)

The Emerson logo is a trademark and service mark of Emerson Electric Co. All other marks are the property of their prospective owners. Enardo is a mark owned by Regulator Technologies Tulsa, LLC, a business of Emerson Process Management.

The contents of this publication are presented for informational purposes only, and while every effort has been made to ensure their accuracy, they are not to be construed as warranties or guarantees, express or implied, regarding the products or services described herein or their use or applicability. We reserve the right to modify or improve the designs or specifications of such products at any time without notice.

Emerson Process Management Regulator Technologies Tulsa, LLC does not assume responsibility for the selection, use or maintenance of any product. Responsibility for proper selection, use and maintenance of any Emerson Process Management Regulator Technologies Tulsa, LLC product remains solely with the purchaser.