

**GENERAL**

**Fluid** Air or neutral gas, filtered at 50 µm, without condensate, lubricated or not  
**Maximum allowable pressure (MAP)** 2 to 25 bar  
**Control range** 0-0,1 bar to 0-20 bar  
**Fluid temperature** 0°C to +60°C (+50°C in G1/8)  
**Ambient temperature** 0°C to +40°C  
**Flow (Qv at 6 bar)** 210 to 5600 l/min (ANR)  
**Setpoint** - analog 0 - 10 V (0 - 20 mA or 4 - 20 mA as option)  
 - digital (option) 8 bits + memory function  
 8 bits + pressure reset  
**Hysteresis** < 1% of span  
**Linearity** < 0,5% of span  
**Repeatability** < 0,5% of span  
**Minimum setpoint** 50 ± 20 mV (0,1 mA) with shutoff function

**OPERATING DIAGRAM:** see page 2

**CONSTRUCTION**

**Body** brass (G1/8) - anodised aluminium (G1/4 to G1)  
**Internal parts** stainless steel and brass  
**Seals** FPM (fluoroelastomer) (G1/8)  
 NBR (nitrile) (G1/4 to G1)



**C**

**ELECTRICAL CHARACTERISTICS**

nominal diameter DN (mm)	stabilised voltage (1)	max. power (W)	max. current (2) (mA)	insulation class	degree of protection	electrical connection
3	24 V = +/-10%	15	600	F	IP 65	7-pin plug-in connector DIN 43651 (supplied) (16 pins for digital)
6		29	1200			
12		34	1400			
20		44	1800			

(1) Max. ripple: 10 %

(2) Max. current consumption in highest control range version

**SPECIFICATIONS**

Ø connection	Ø orifice (mm)	flow		control range (bar)	maximum allowable pressure (MAP) (bar)	catalogue number
		Kv coefficient	at 6 bar (l/min) (ANR)			
G 1/8	3	3	210	0 - 0,1	2	60100041
				0 - 0,5	2	60100042
				0 - 1	2	60100043
				0 - 3	8	60100045
				0 - 6	9	60100047
				0 - 10	12	60100048
				0 - 20	18	60100185
G 1/4	6	10	700	0 - 0,1	2	60100104
				0 - 0,5	2	60100101
				0 - 1	2	60100105
				0 - 3	8	60100003
				0 - 6	9	60100037
				0 - 10	12	60100002
				0 - 20	18	60100001
G 1/2	12	20	1400	0 - 0,1	2	60100116
				0 - 0,5	2	60100102
				0 - 1	2	60100117
				0 - 3	8	60100006
				0 - 6	9	60100005
				0 - 12	14	60100004
				0 - 0,1	2	60100129
G 1	20	80	5600	0 - 0,5	2	60100103
				0 - 1	2	60100130
				0 - 3	8	60100009
				0 - 6	9	60100008
				0 - 12	14	60100007

**OPTIONS**

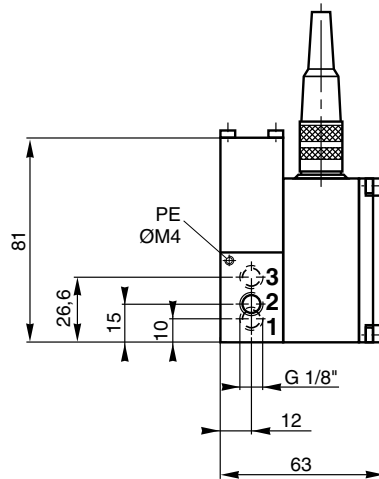
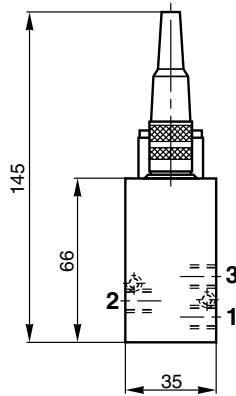
Analog setpoint 0 - 20 mA (sensitivity < 0,1 mA - impedance 500 Ω) \_\_\_\_\_ cat. no.: **010713**  
 Analog setpoint 4 - 20 mA (sensitivity < 0,1 mA - impedance 500 Ω) \_\_\_\_\_ cat. no.: **910507**  
 Optional ramp \_\_\_\_\_ cat. no.: **010610**  
 Digital setpoint (8 bits + memory function) \_\_\_\_\_ cat. no.: **010537**  
 Digital setpoint (8 bits + pressure reset) \_\_\_\_\_ cat. no.: **010606**  
 Sensor output 0 - 20 mA (0 - 10 V standard version) \_\_\_\_\_ cat. no.: **010538**  
 Sensor output 4 - 20 mA (0 - 10 V standard version) \_\_\_\_\_ cat. no.: **010616**  
 Pressure switch / SENTRONIC: (PNP) reference 24 V = if setting is reached \_\_\_\_\_ cat. no.: **010579**  
 Pressure switch / SENTRONIC: (NPN) ground reference if setting is reached \_\_\_\_\_ cat. no.: **010539**  
 Pressure switch / SENTRONIC: (PNP) reference 24 V = if setting is not reached \_\_\_\_\_ cat. no.: **010612**  
 Pressure switch / SENTRONIC: (NPN) ground reference if setting is not reached \_\_\_\_\_ cat. no.: **010613**  
 SENTRONIC pneumatic servovalve with external pressure sensor (consult us)

Metallic sensor \_\_\_\_\_ cat. no.: **010607**  
 FPM seals (except G1/8) \_\_\_\_\_ cat. no.: **460594**  
 Oxygen application \_\_\_\_\_ cat. no.: **970518**

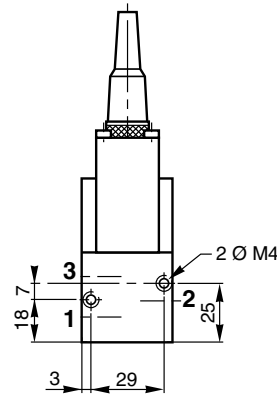
00245GB-2005/IR01  
 Availability, design and specifications are subject to change without notice. All rights reserved.

**DIMENSIONS (mm), WEIGHT (kg)**

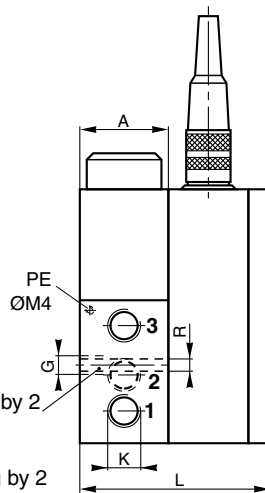
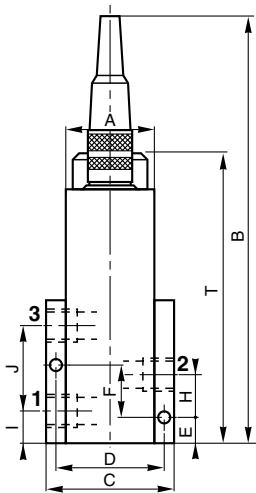
**G 1/8**  
weight: 0,65 kg



Bottom view

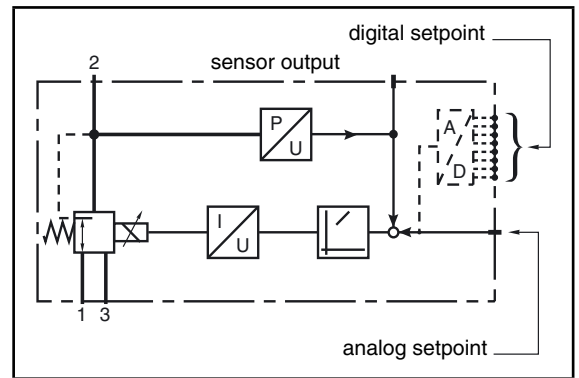


**G 1/4 to G 1**



- Rear mounting by 2 tapped holes Ø G depth S
- Front mounting by 2 holes Ø R

## OPERATING DIAGRAM

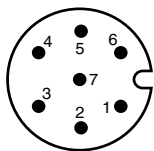


Ø nominal	A	B	C	D	E	F	G	H	I	J	K	L	R	S	T	weight
6	36	175	52	43	10	20	M6	16	11	34,3	G 1/4	74	4	10	105	0,950
12	45	205	70	57,5	12	28	M6	22,5	15	48,5	G 1/2	93	4	10	136	1,900
20	60	240	96	79	15	33	M8	30,5	20	60	G 1	117	6	15	178	3,900

## CONNECTOR WIRING

**Analog setpoint version**

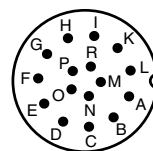
view direction " V "  
(solder side of female connector)



- 1 - Power + 24V ±10%
- 2 - GND (Power)
- 3 - Input setpoint
- 4 - GND (Input)
- 5 - Output voltage stabilised 12 V, max. 30 mA
- 6 - Actual pressure (sensor output) (signal 0-10 V for the max. control range - max. 10 mA)
- 7 - Not connected (standard)  
As option: pressure switch output connection NPN or PNP (max. 500 mA)

**Digital setpoint version**

view direction " V "  
(solder side of female connector)



- A - Power +24V ±10%
- B - GND (Power)
- C - Bit 1 (LSB)
- D - Bit 2
- E - Bit 3
- F - Bit 4
- G - Bit 5
- H - Bit 6
- I - Bit 7
- K - Bit 8 (MSB)
- L - Memory function (option 010537)  
Pressure reset (option 010606)
- M - Not connected (standard)  
As option: pressure switch output connection NPN or PNP (max. 500 mA)
- N - Not connected
- O - Not connected
- P - Pressure signal (pressure sensor output)  
0 - 10V for the pressure range in question
- R - Not connected