

The choice for your Fisher™ internal valve



FISHER™

Fisher P Series actuators for C Series internal valves

P Series Pneumatic Actuators

P Series pneumatic actuators provide a reliable method for remotely operating internal valves on storage tanks, bobtail route trucks and bulk transports. The actuators' features include easy installation, durable construction and reliable performance. Use of alternate manufacturers actuator design may cause damage to the valve and void the valve warranty. Why take a chance with someone else's actuator on your Fisher Valve?

- | | |
|------------------------------|-------------------------|
| Types P613 and P713: | For Type C484-24 |
| Types P614A and P714: | For Type C404-32 |
| Types P623 and P723: | For Type C483-24 |
| Types P639A and P739: | For Types C471 and C477 |
| Type P731: | For Type C407-10 |

Only Fisher P Series actuators are designed and approved for use on Fisher valves.

Unparalleled Performance

P Series actuators are designed to effectively actuate your Fisher internal valves. P Series actuators also prevent over-stroking of the valve which assures you of the efficient performance of both your actuator and internal valve to deliver full valve capacity. This means minimum air consumption, maximum flow rates and full life service expectancy.

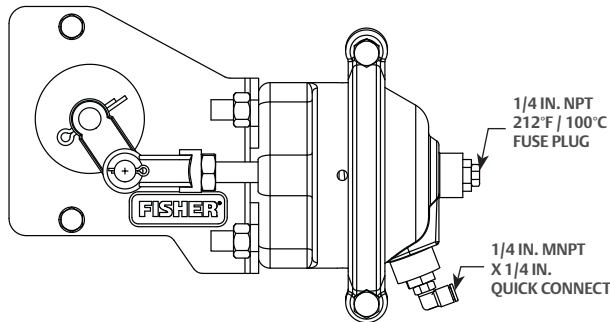
Superior Service and Support

Emerson's industry leading service and support offers a complete line of LPG equipment with a worldwide distribution network. Our experienced sales and support teams consist of more than 2,000 technical experts available to serve you from nearly 200 offices worldwide. Contact Emerson to learn more about our services.

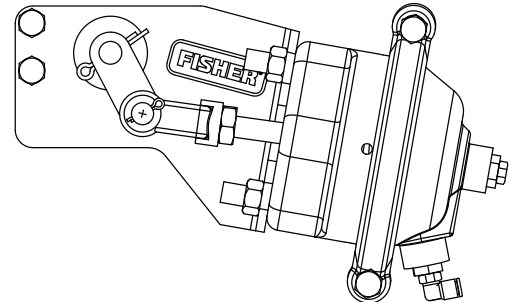


EMERSON. CONSIDER IT SOLVED.™

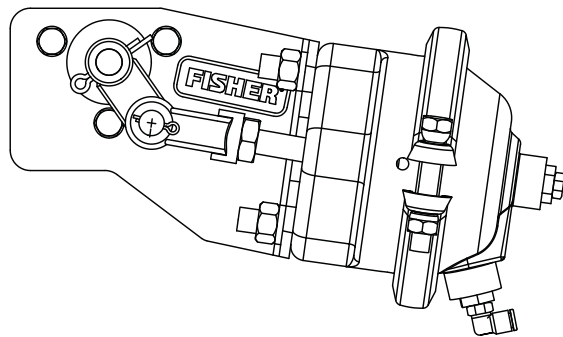
P600 Series 'Brake Chamber' Actuators



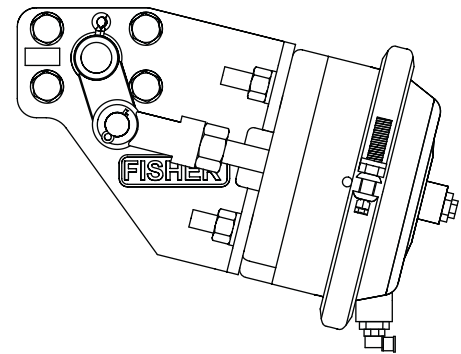
TYPE P623 PNEUMATIC ACTUATOR



TYPE P613 PNEUMATIC ACTUATOR



TYPE P639A PNEUMATIC ACTUATOR



TYPE P614A PNEUMATIC ACTUATOR

Specifications

- **Pressure Source:** Air and Nitrogen
- **Minimum Actuator Pressure Limits:**
Types P613, P623 and P639A: 20 psig / 1.4 bar
Type P614A: 40 psig / 2.8 bar
- **Maximum Actuator Pressure Limits:**
Types P613, P623, P639A and P614A: 125 psig / 8.6 bar
- **Recommended Operating Pressure:**
Types P613, P623 and P639A: 20 to 40 psig / 1.4 to 2.8 bar
Type P614A: 40 to 60 psig / 2.8 to 4.2 bar
- **Temperature Capabilities:** -20 to 150°F / -29 to 66°C
- **Return Mechanism:** Spring only – no air
- **Thermal Release:**
1/4 in. UL® Approved NPT fuse plug installed in center port of actuator housing
- **Thermal Release Melt Point:** 212°F / 100°C
- **Approximate Weight:** 5.6 lbs / 2.54 kg

Features

- Designed and calibrated for Fisher™ Internal Valves to deliver full capacity with no valve over-stroke to promote increased Internal Valve service life
- Stainless steel bracket construction
- Corrosion resistant, automotive grade hardware
- 212°F / 100°C thermal fuse element
- 1/4 in. / 6.4 mm air supply line quick connect fitting
- Easy installation, retrofit of Type P326

P700 Series 'Rotary' Actuators



TYPE P723



TYPE P731



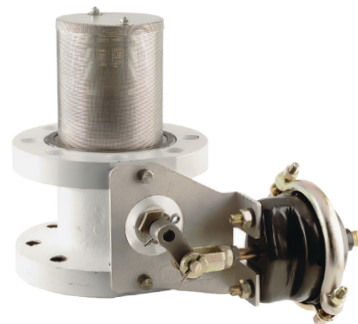
TYPE P713



TYPE P739



TYPE P714



TYPE P623

Specifications

- **Pressure Source:** Air, Nitrogen and Propane Vapor
- **Minimum Actuator Pressure Limits:**
Types P713, P723 and P739: 25 to 125 psig / 1.7 to 8.6 bar
Type P714: 40 to 125 psig / 2.8 to 8.6 bar
Type P731: 50 to 125 psig / 3.4 to 8.6 bar
- **Maximum Actuator Pressure Limits:**
Types P713, P723, P739, P714 and P731: 125 psig / 8.6 bar
- **Temperature Capabilities:** -20 to 150°F / -29 to 66°C
- **Return Mechanism:** Spring only – no air
- **Thermal Release:**
1/4 in. UL® Approved NPT fuse plug is provided. Should be installed in the supply source line per applicable codes and standards.
- **Thermal Release Melt Point:** 212°F / 100°C
- **Approximate Weight:** 5.6 lbs / 2.54 kg

Features

- Rack-and-pinion design eliminates side-load wear to promote extended service life
- Designed and calibrated for Fisher™ Internal Valves to deliver full stroke without over-stroking the valve
- Stainless steel bracket and mounting hardware
- Open-bracket design allows for easy installation using standard tools
- No pinch points

Fisher™ LPG Equipment and Accessories



LPG Equipment Distributors Emerson sales, service and technical support are close at hand.

Anywhere in the world, Emerson resources are available by telephone or on our website. Our distribution network includes an experienced sales and support team, with more than 2,000 technical experts available from nearly 200 offices throughout the world.

Please visit our website to find the LPG Equipment Distributor near you.

Emerson Automation Solutions

Americas

T +1 800 558 5853
T +1 972 548 3574

Europe

T +39 051 419 0611

Asia Pacific

T +65 6777 8211

Middle East / Africa

T +971 4811 8100

✉ webadmin.regulators@emerson.com

🔍 Fisher.com

📘 Facebook.com/EmersonAutomationSolutions

🌐 LinkedIn.com/company/emerson-automation-solutions

🐦 Twitter.com/emr_automation