

Fisher™ FIELDVUE™ DVC7K

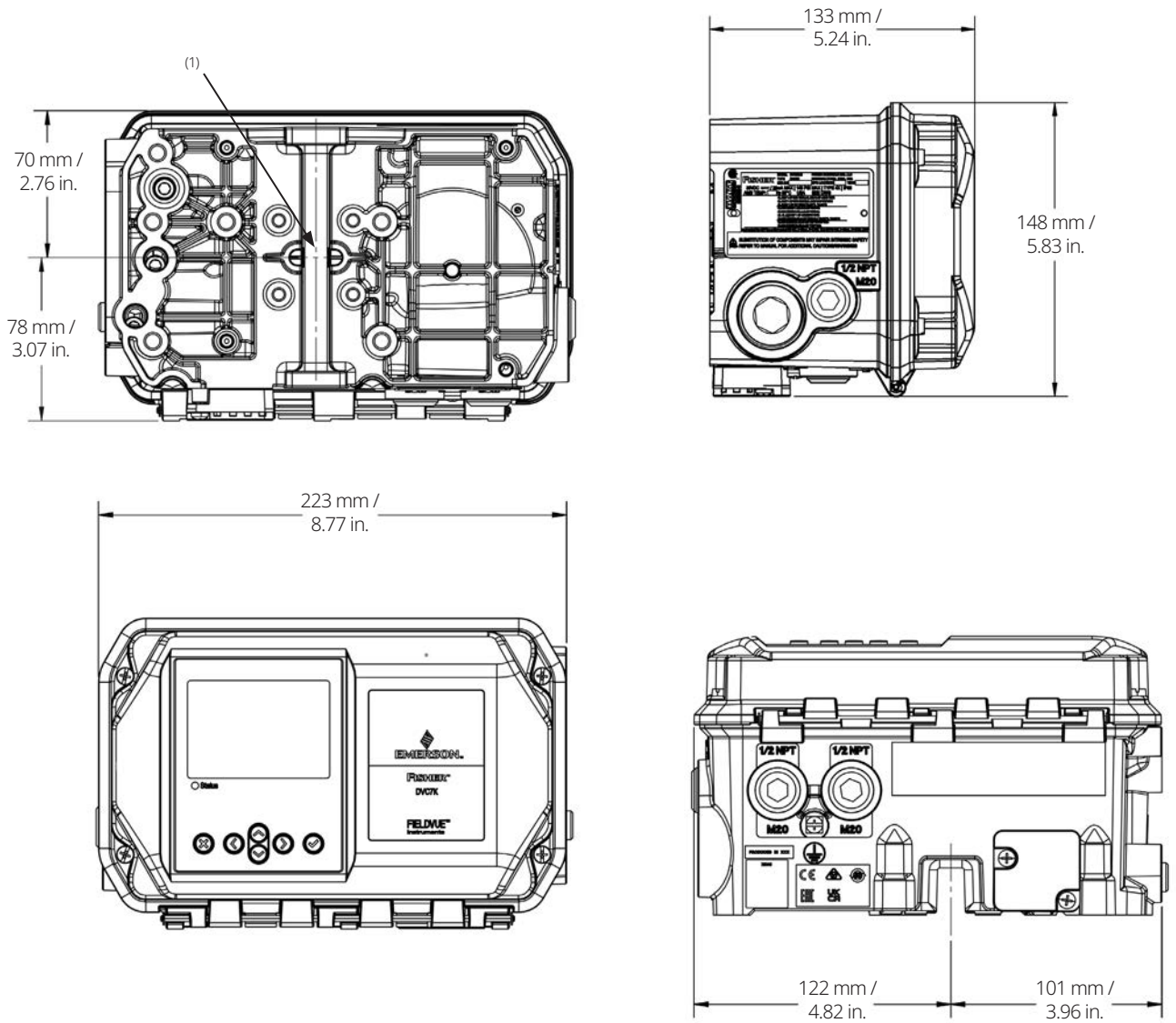
Digital Valve Controller and Magnet Array Dimensions

DVC7K Digital Valve Controller	Figure	Page
Overall Dimensions and Sensor Location	1	2
Overall Dimensions and Sensor Location with Integrally Mounted Filter Regulator	2	3
with Optional Gauge Block and Integrally Mounted Filter Regulator (Position 1) Dimensions	3	4
with Optional Gauge Block and Integrally Mounted Filter Regulator (Position 2) Dimensions	4	5
Mounting Hole Position and Thread Descriptions	5	6
Pneumatic and Electric Port Dimensions	6	6

Magnet Array ⁽¹⁾	Figure	Page
SStem #7 7 mm / 1/4 in.	7	7
SStem #19 19 mm / 3/4 in.	8	7
SStem #25 25 mm / 1 in.	9	8
SStem #38 38 mm / 1-1/2 in.	10	8
SStem #50 50 mm / 2 in.	11	9
SStem #110 110 mm / 4-1/8 in.	12	9
SStem #220 210 mm / 8-1/4 in.	13	10
RShaft #1 / LRC ⁽²⁾ Fisher 2052 Size 2 and 3, 1051/1052 Size 40 to 70, 1061 Size 30 to 100, Sliding Stem > 210 mm / 8.25 in.	14	11
RShaft #2 / LRC ⁽²⁾ 2052 Size 1, 1051/1052 Size 20 to 33	14	11
RShaft End 90 degrees	15	12
1. Linear magnet array width dimensions are shown in Figure 10. 2. Linear Roller Cam.		

DVC7K Digital Valve Controller

Figure 1. Overall Dimensions and Sensor Location



1. Housing insert for SSTEM #210 magnet array (Figure 13) inserted here

Figure 2. Overall Dimensions and Sensor Location with Integrally Mounted Filter Regulator

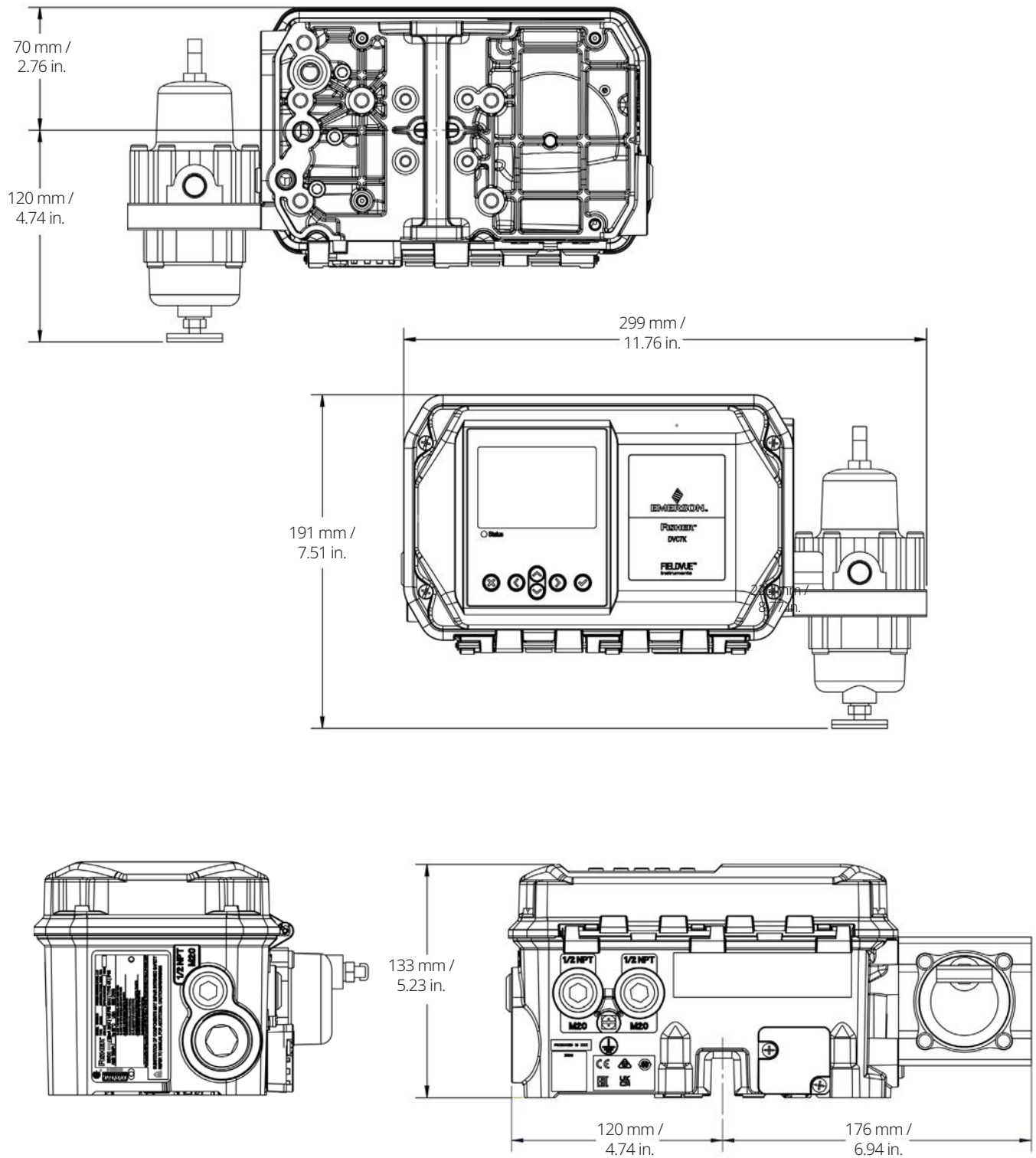


Figure 3. With Optional Gauge Block and Integrally Mounted Filter Regulator (Position 1) Dimensions

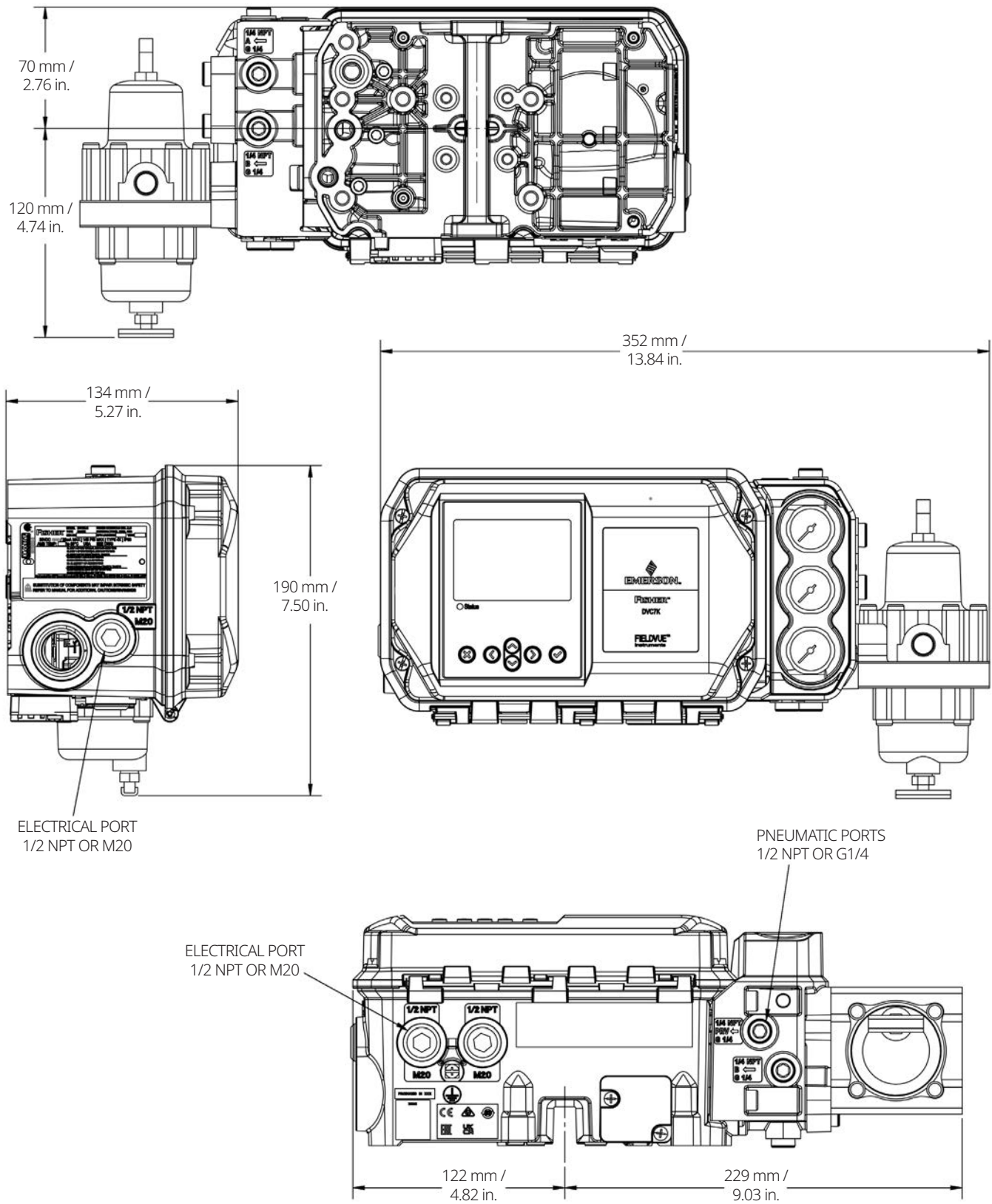


Figure 4. With Optional Gauge Block and Integrally Mounted Filter Regulator (Position 2) Dimensions

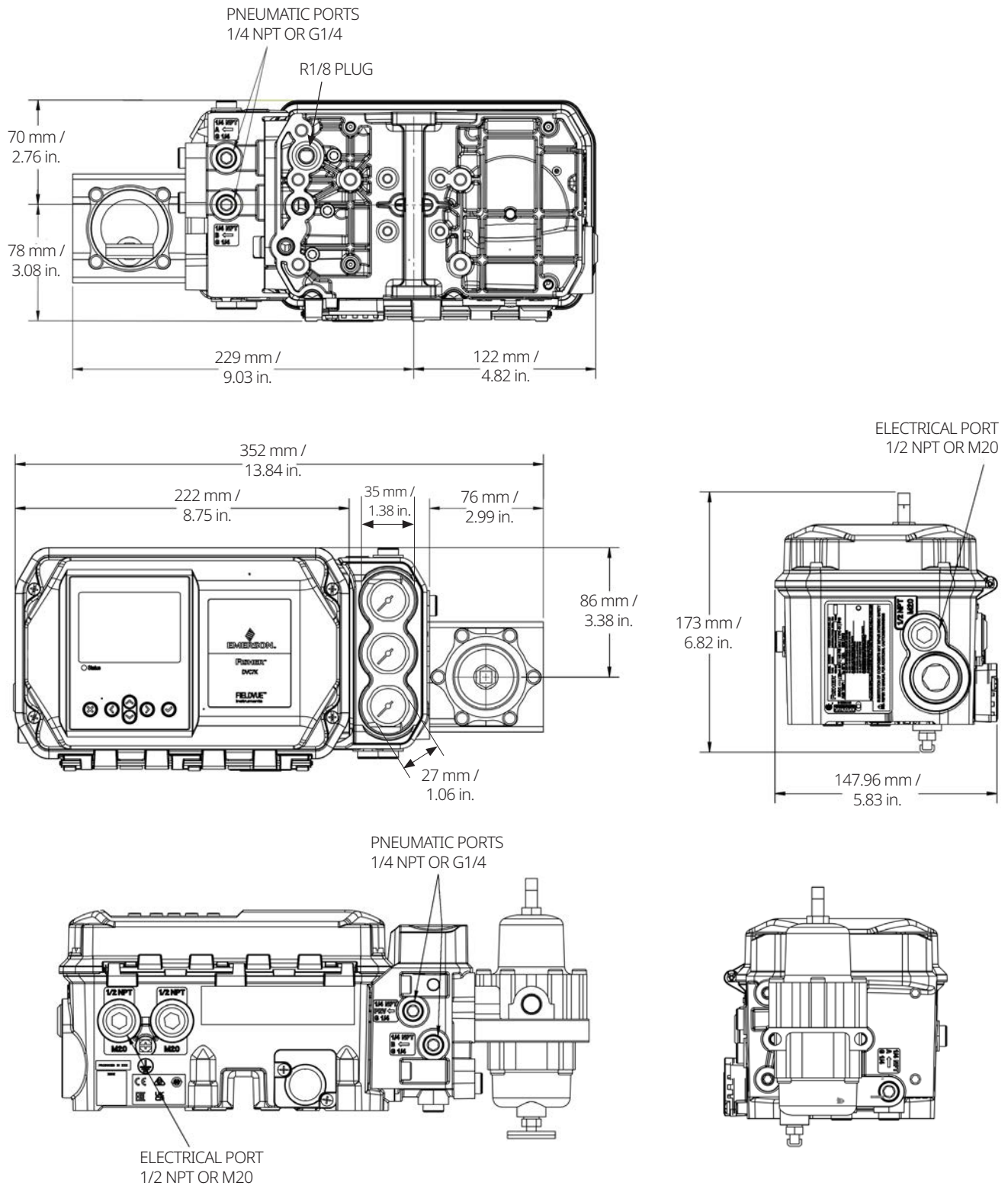


Figure 5. Mounting Hole Position and Thread Descriptions

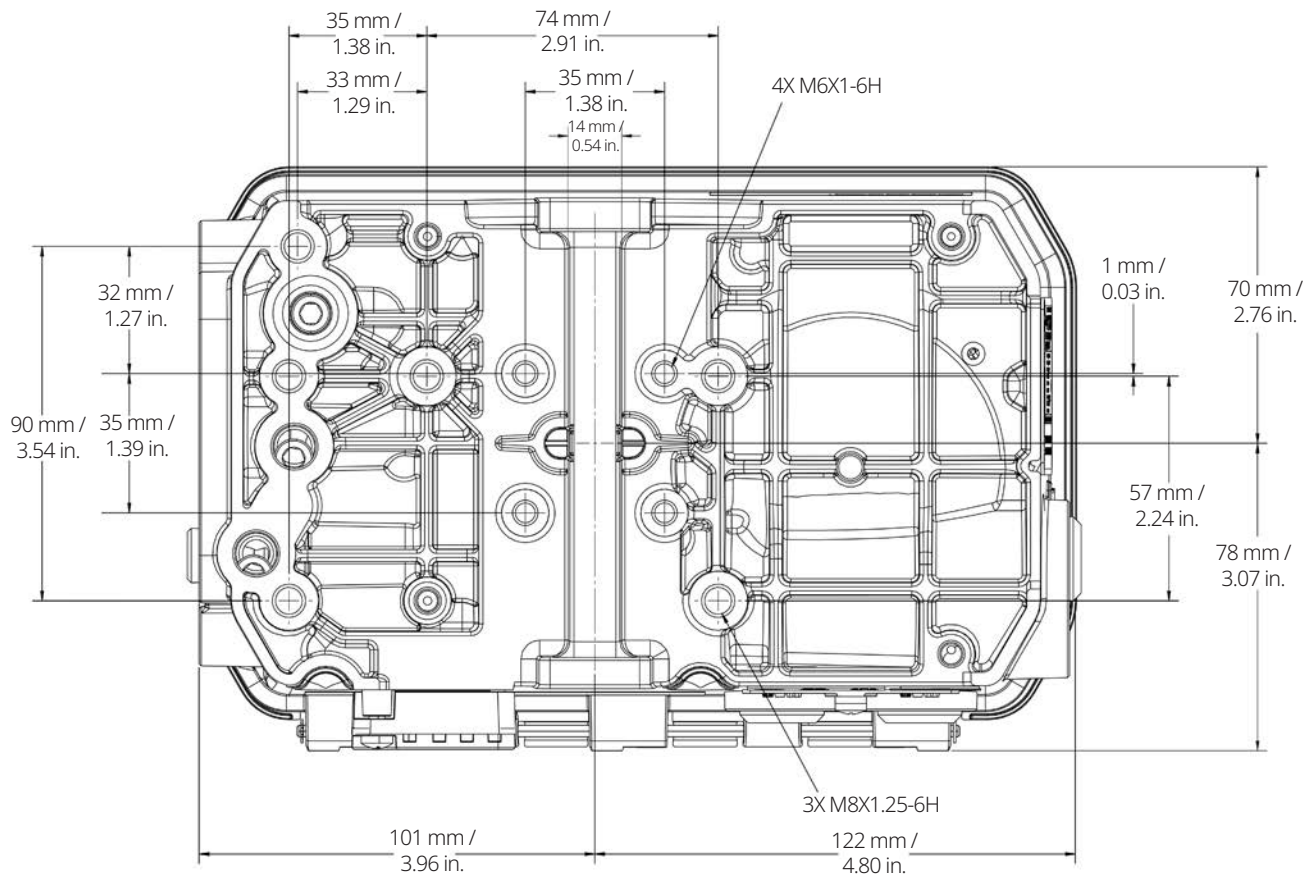
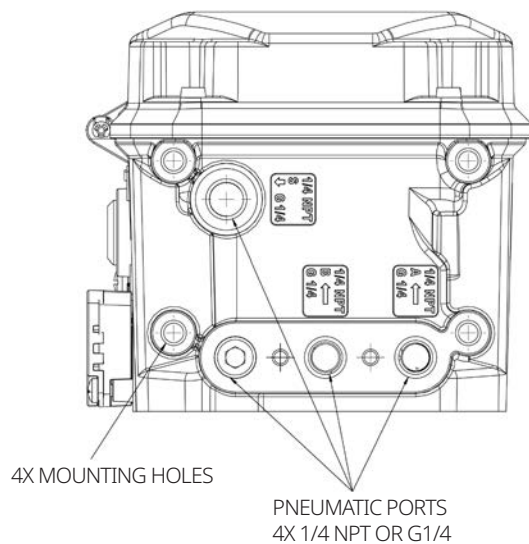
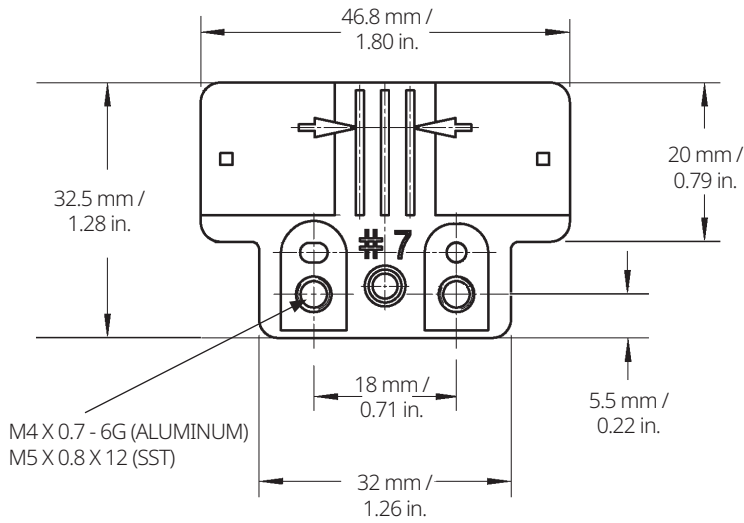


Figure 6. Pneumatic and Electric Port Dimensions



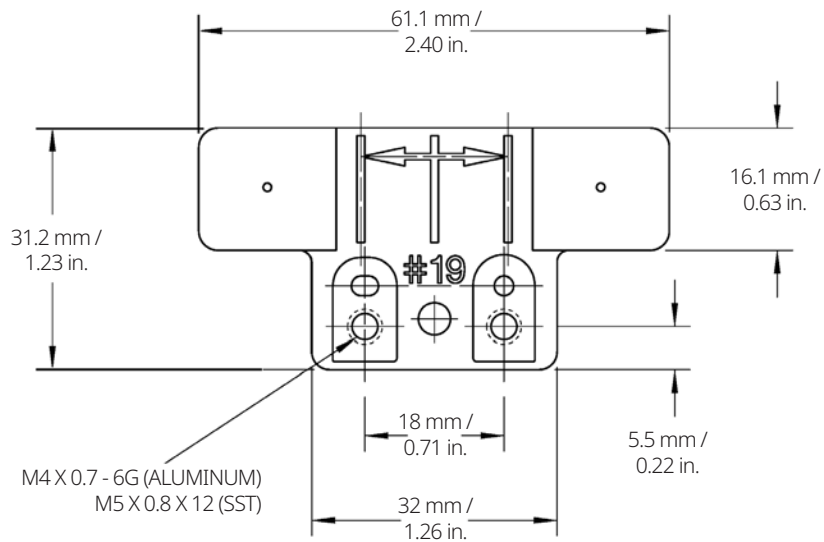
Magnet Arrays

Figure 7. SStem #7 Magnet Array (also see ⁽¹⁾ in Figure 10)



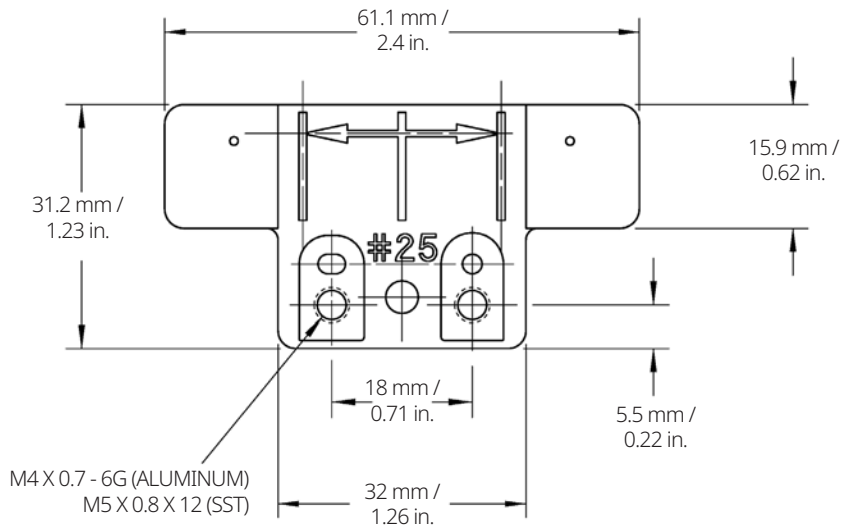
4.2 to 7 mm / 0.17 to 0.28 in. TRAVEL RANGE

Figure 8. SStem #19 Magnet Array (also see ⁽¹⁾ in Figure 10)



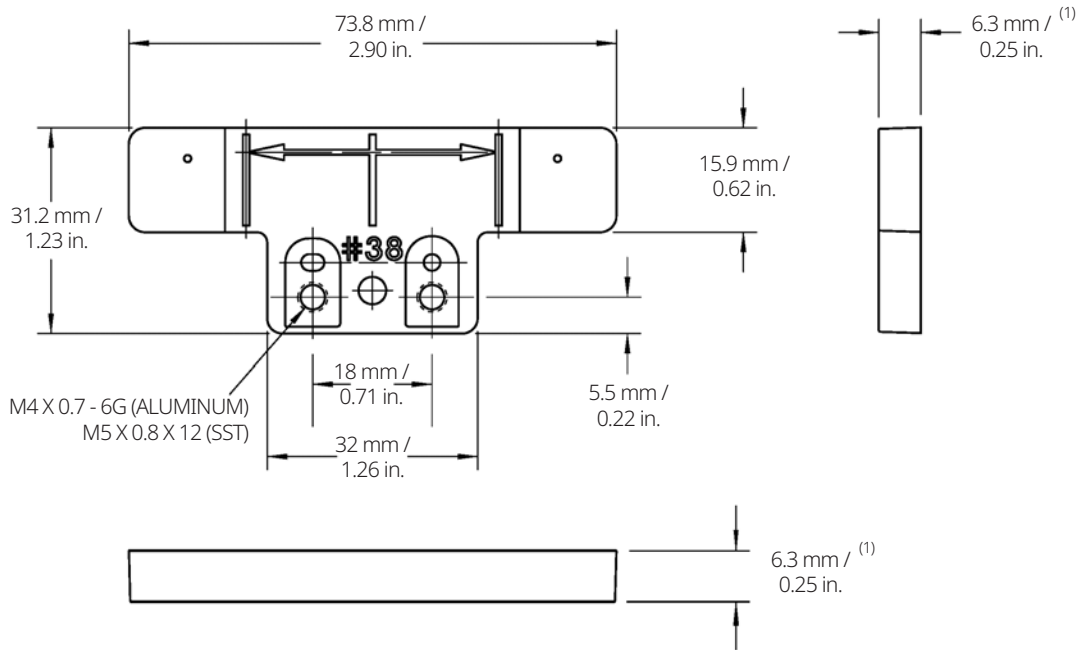
8 to 19 mm / 0.32 to 0.75 in. TRAVEL RANGE

Figure 9. SStem#25 Magnet Array (also see ⁽¹⁾ in Figure 10)



20 to 25 mm / 0.76 to 1.00 in. TRAVEL RANGE

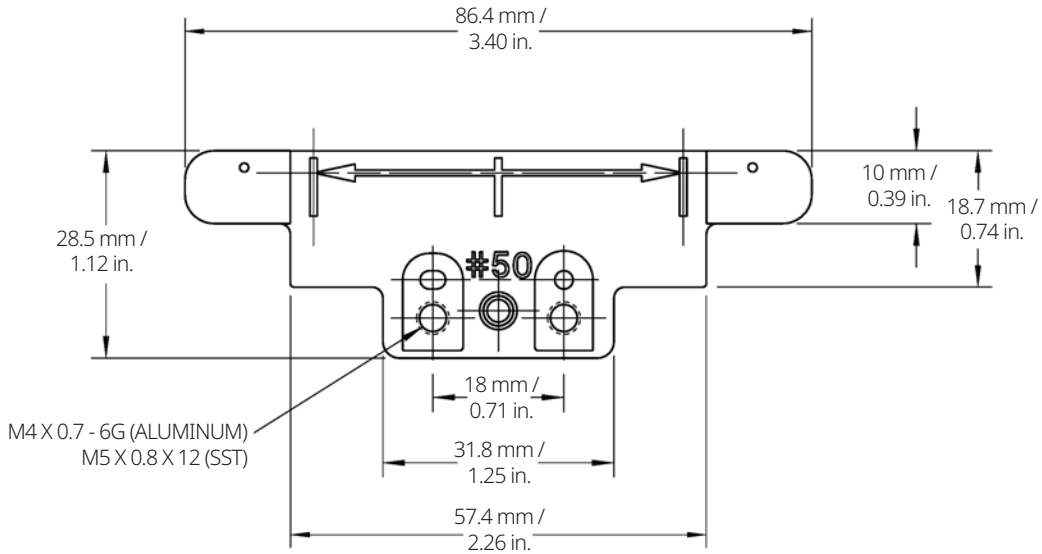
Figure 10. SStem #38 Magnet Array



26 to 38 mm / 1.01 to 1.50 in. TRAVEL RANGE

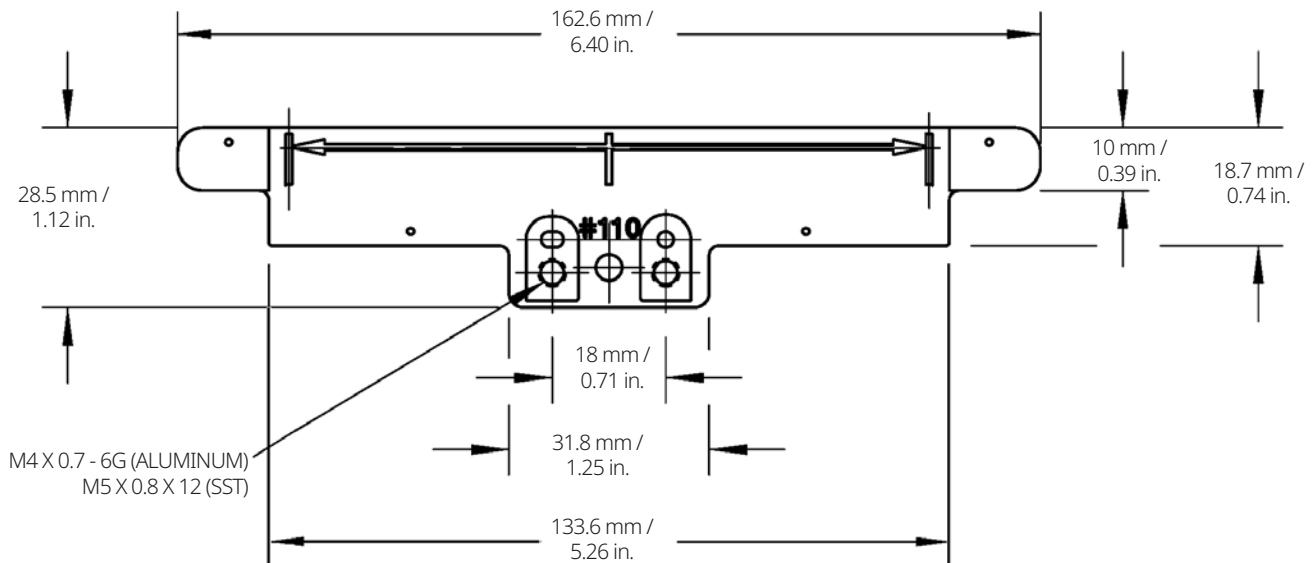
1. Linear magnet array width dimensions

Figure 11. SStem #50 Magnet Array (also see ⁽¹⁾ in Figure 10)



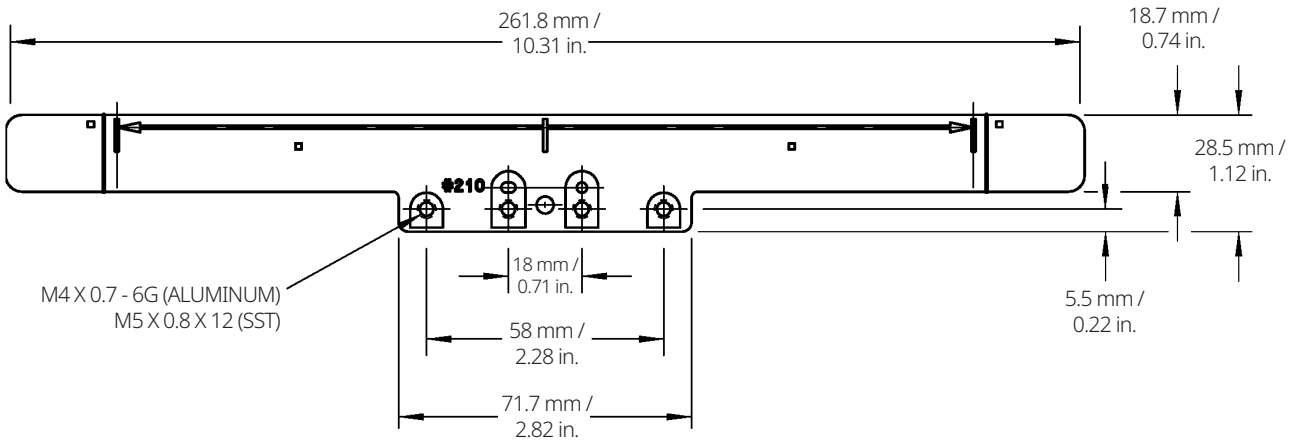
39 to 50 mm / 1.51 to 2.00 in. TRAVEL RANGE

Figure 12. SStem #110 Magnet Array (also see ⁽¹⁾ in Figure 10)

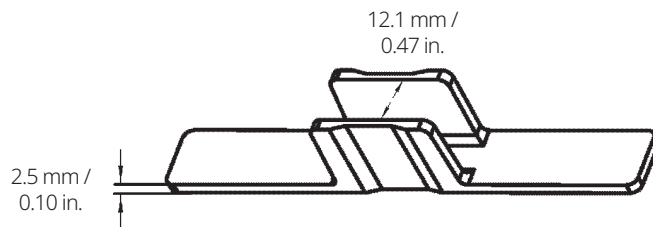


51 to 110 mm / 2.01 to 4.125 in. TRAVEL RANGE

Figure 13. SStem #210 Magnet Array (also see ⁽¹⁾ in Figure 10)



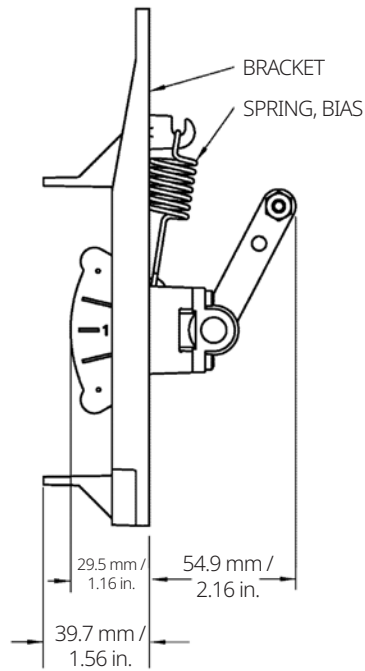
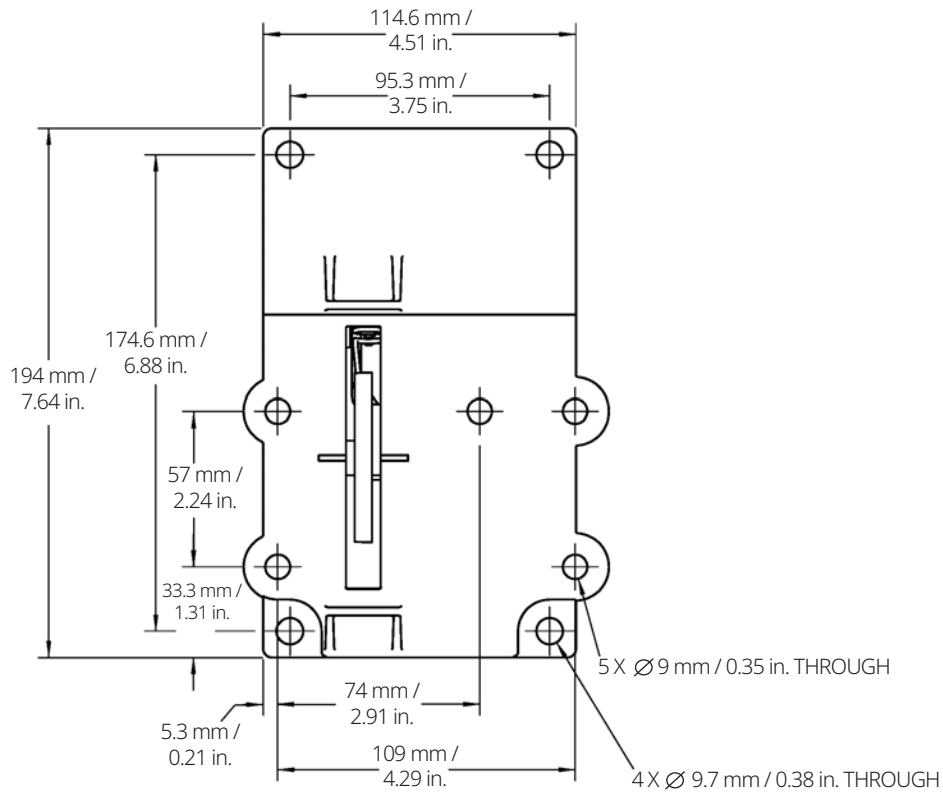
111 to 210 mm / 4.126 to 8.25 in. TRAVEL RANGE



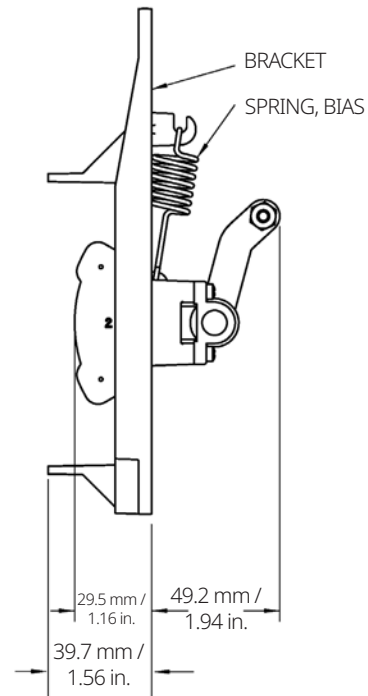
HOUSING INSERT FOR SSTEM #210 MAGNET ARRAY⁽¹⁾

1. Refer to back view of Figure 1 for housing insert placement.

Figure 14. RShaft Window Mount Magnet Assemblies

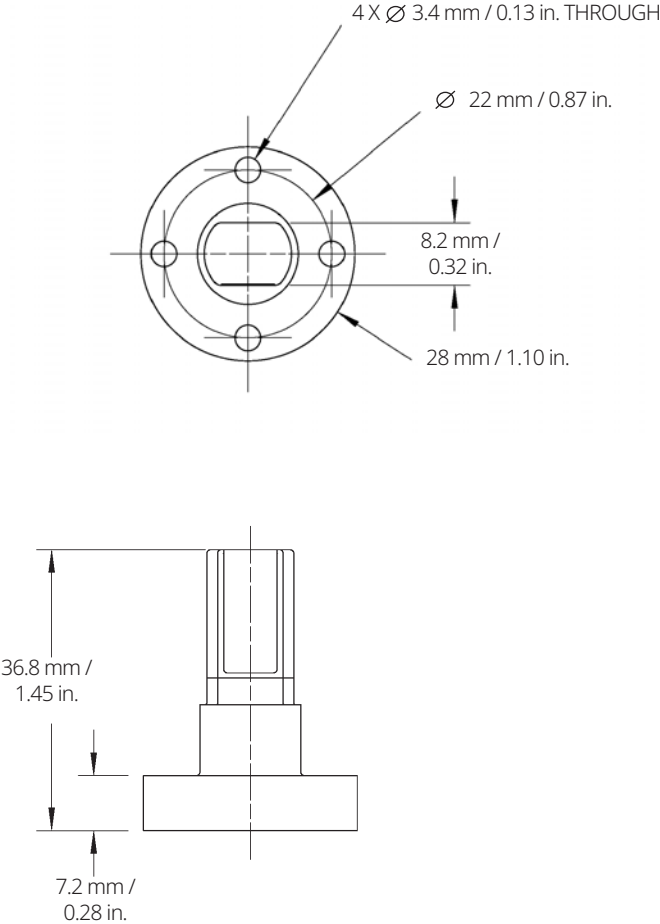


RSHAFT WINDOW #1



RSHAFT WINDOW #2



Figure 15. RShaft End Mount Magnet Assembly



Related Documents

- FIELDVUE DVC7K-H Digital Valve Controller Product Bulletin, [D104765X012](#)
- FIELDVUE DVC7K-H Digital Valve Controller for On/Off Applications Product Bulletin, [D104791X012](#)

Documents are available from your [Emerson sales office](#) or at [Fisher.com](#).

 [LinkedIn.com/groups/3941826](https://www.linkedin.com/groups/3941826)
 [Fisher.com](https://www.fisher.com)

 [Facebook.com/FisherValves](https://www.facebook.com/FisherValves)
 [Twitter.com/FisherValves](https://twitter.com/FisherValves)

D104795X012 © 2024 Fisher Controls International LLC. All rights reserved.

Neither Emerson, nor any of its affiliated entities assume responsibility for the selection, use or maintenance of any product. Responsibility for proper selection, use, and maintenance of any product remains solely with the purchaser and end user.

Fisher, FIELDVUE, and Advice at the Device are marks owned by one of the companies in the Emerson business unit of Emerson Electric Co. Emerson and the Emerson logo are trademarks and service marks of Emerson Electric Co. HART is a registered trademark of FieldComm Group. The Bluetooth® word mark and logos are registered trademarks owned by Bluetooth SIG, Inc. and any use of such marks by Emerson is under license. All other marks are the property of their respective owners.

The contents of this publication are presented for informational purposes only, and while every effort has been made to ensure their accuracy, they are not to be construed as warranties or guarantees, express or implied, regarding the products or services described herein or their use or applicability. All sales are governed by our terms and conditions, which are available upon request. We reserve the right to modify or improve the designs or specifications of such products at any time without notice.

Emerson
Marshalltown, Iowa 50158 USA
Sorocaba, 18087 Brazil
Cernay, 68700 France
Dubai, United Arab Emirates
Singapore 128461 Singapore

www.fisher.com

FISHER™


EMERSON™