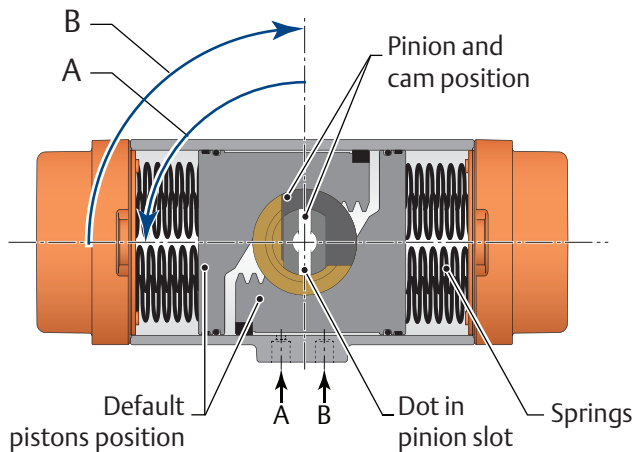


## Assembly Codes Bettis RPE-Series actuators

### Spring-return actuators

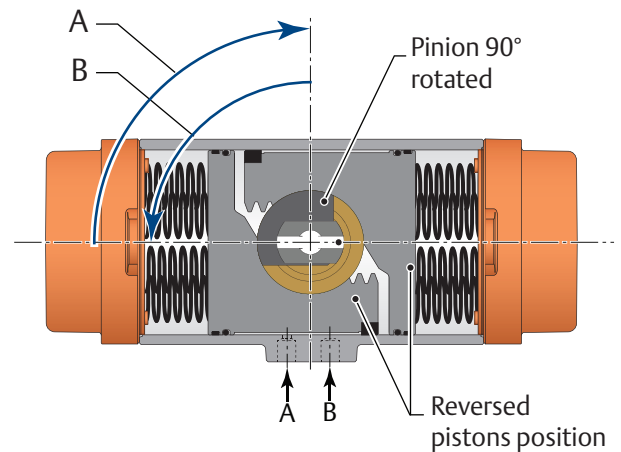
**Assembly code: CW**

= Standard, Clockwise-to-Close rotation  
= Fail-to-Close



**Assembly code: CC**

= Reverse, Counterclockwise-to-Open  
= Fail-to-Open

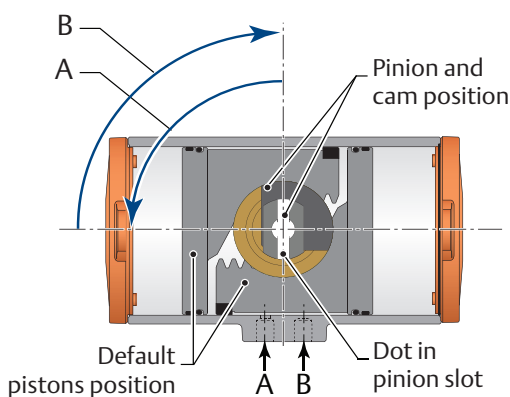


A = Central air chamber pressurized  
B = Spring stroke

### Double-acting actuators

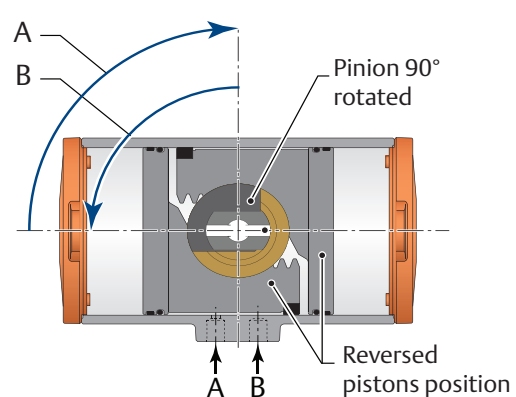
**Assembly code: CW**

= Standard, Clockwise-to-Close rotation



**Assembly code: CC**

= Reverse, Counterclockwise-to-Open



A = Central air chamber pressurized  
B = End cap air chambers pressurized

All views are from above. Pistons are shown in inward position.