

# Damcos™ BRCF 500 – 60 Bar

## Hydraulic Single-acting Balanced Rotary Actuator 90° (Quarter-turn) Fail-safe

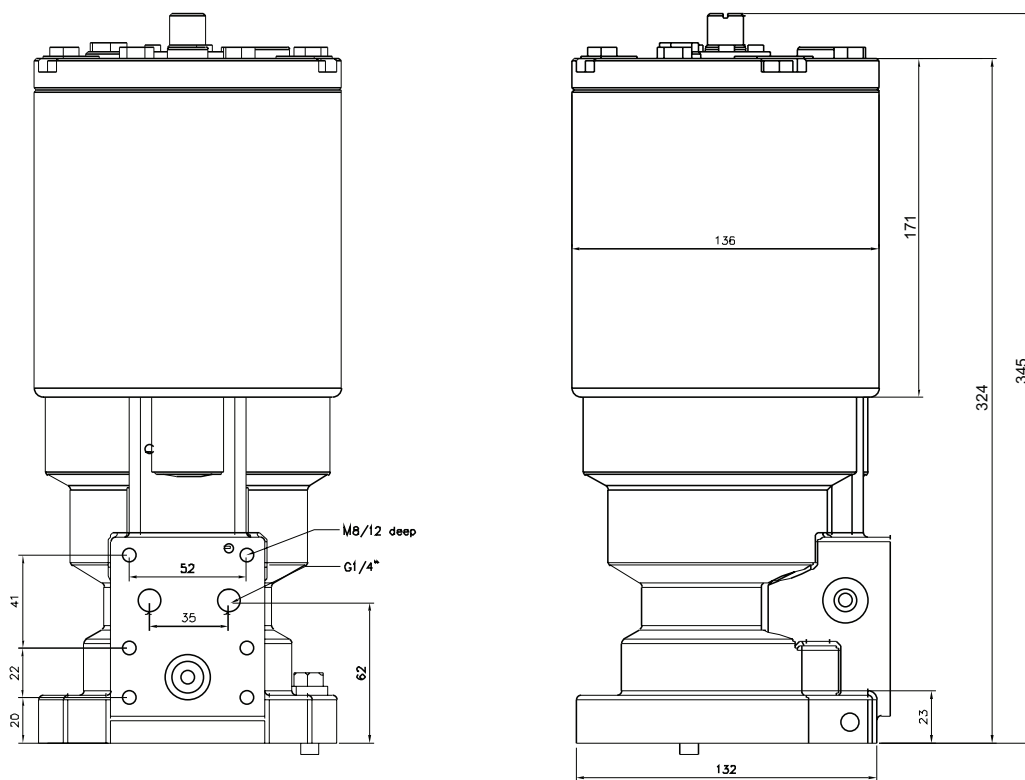


## Main Data

Working pressure	60 bar
Burst test	675 bar
Total dry weight incl. mounting set (3.1 kg)	24 kg
Oil displacement	0.102 l
Temperature range	-20°C to +80°C
Rotation	90° ±1°
Hydraulic media and viscosities	We recommend acid-free hydraulic oil. Viscosity range: 15-200 cSt. For recommended brands and for other media than oil please refer to separate data sheet.

## Main Dimensions

Actuator shown in closed (fail-safe) position



All dimensions in mm

**Valve adaption:**

Approx. 5°

Adapter

Intermediate flange

Max. valve shaft intrusion: 55

Adjustment screw, torque: 6 Nm

7.5° 7.5°

Fastning nut, torque: 17 Nm

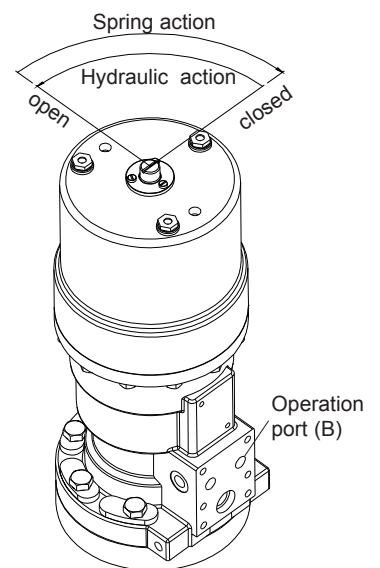
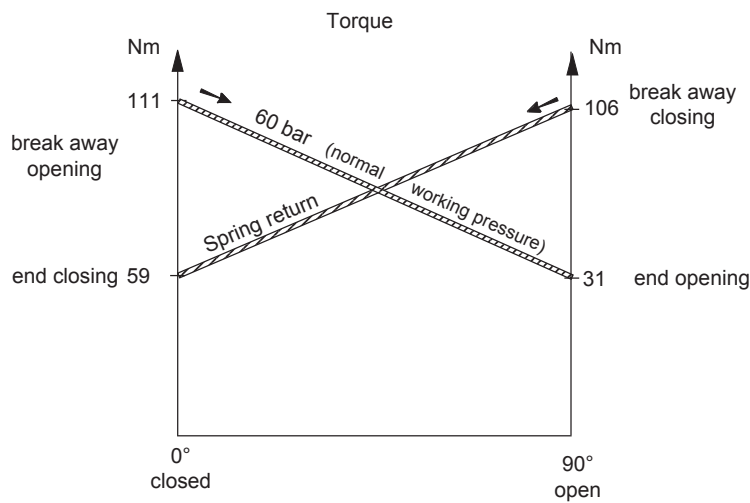
Limits for the machining of the adapter. Other shapes on request, please contact DMS.

Shape			
Machined acc. to:	DIN 6885		DIN 79
mm (max.):	35		30

All dimensions in mm

# Performance

**Performance:**



©2020 Emerson. All rights reserved.

The Emerson logo is a trademark and service mark of Emerson Electric Co. Damcos and the Damcos logotype are trademarks of Damcos A/S. Damcos is a member of the Emerson family of companies. All other marks are the property of their respective owners.

**Emerson Automation Solutions**

Damcos A/S  
Aaderupvej 41  
DK-4700 Naestved  
T +45 5578 7200  
F +45 5578 7272

[www.Emerson.com/marine](http://www.Emerson.com/marine)

The contents of this publication are presented for information purposes only, and while effort has been made to ensure their accuracy, they are not to be construed as warranties or guarantees, expressed or implied, regarding the products or services described herein or their use or applicability. Standard Terms and Conditions of Sale can be issued by contacting Damcos A/S. We reserve the right to modify or improve the designs and specifications of our products at any time without notice. Damcos A/S accepts no responsibility for any errors that may appear in this publication.