

TC Block

Temperature Compensating Block for VPI A1



General Description

Temperature Compensating Block for indication of end positions (VPI-V or VPI-E). The TC-Block allows the expansion/contraction of the oil in the system caused by major temperature and pressure variations without influencing the end stops and the switch functions of the indicator.

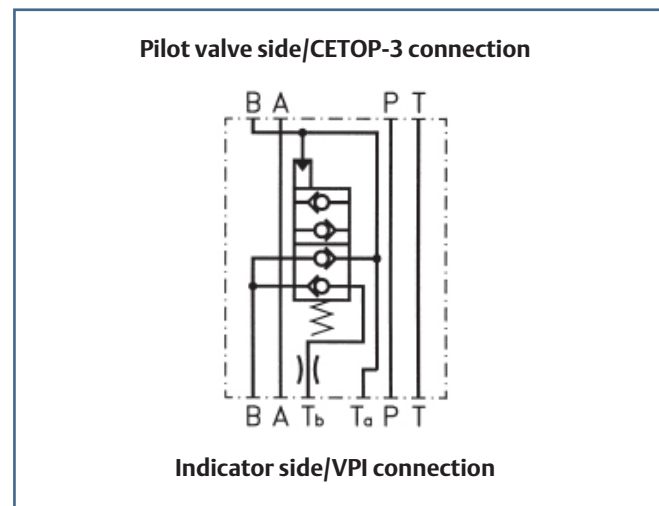
The Block is provided with Cetop-3 connection for mounting of pilot valve. The combination of the VPI indicator and the TC-Block can be used for all DKMS-actuators and is used at on/off controls.

Note!

The TC-Block is always to be used together with a 4/2-way control valve.

Functional Description and Hydraulic Symbol

The function of the TC-Block is to allow the oil only to flow through the VPI in the required direction (locks and acknowledges the el. on/off signal). The undesired contra-flow is bypassing the VPI, thus avoiding an electrical signal failure with resulting “alarm signal”. This undesired oil flow is caused by the temperature expansion/contraction of the oil and also by a fluctuating pressure in the system at an on/off-operated actuator.



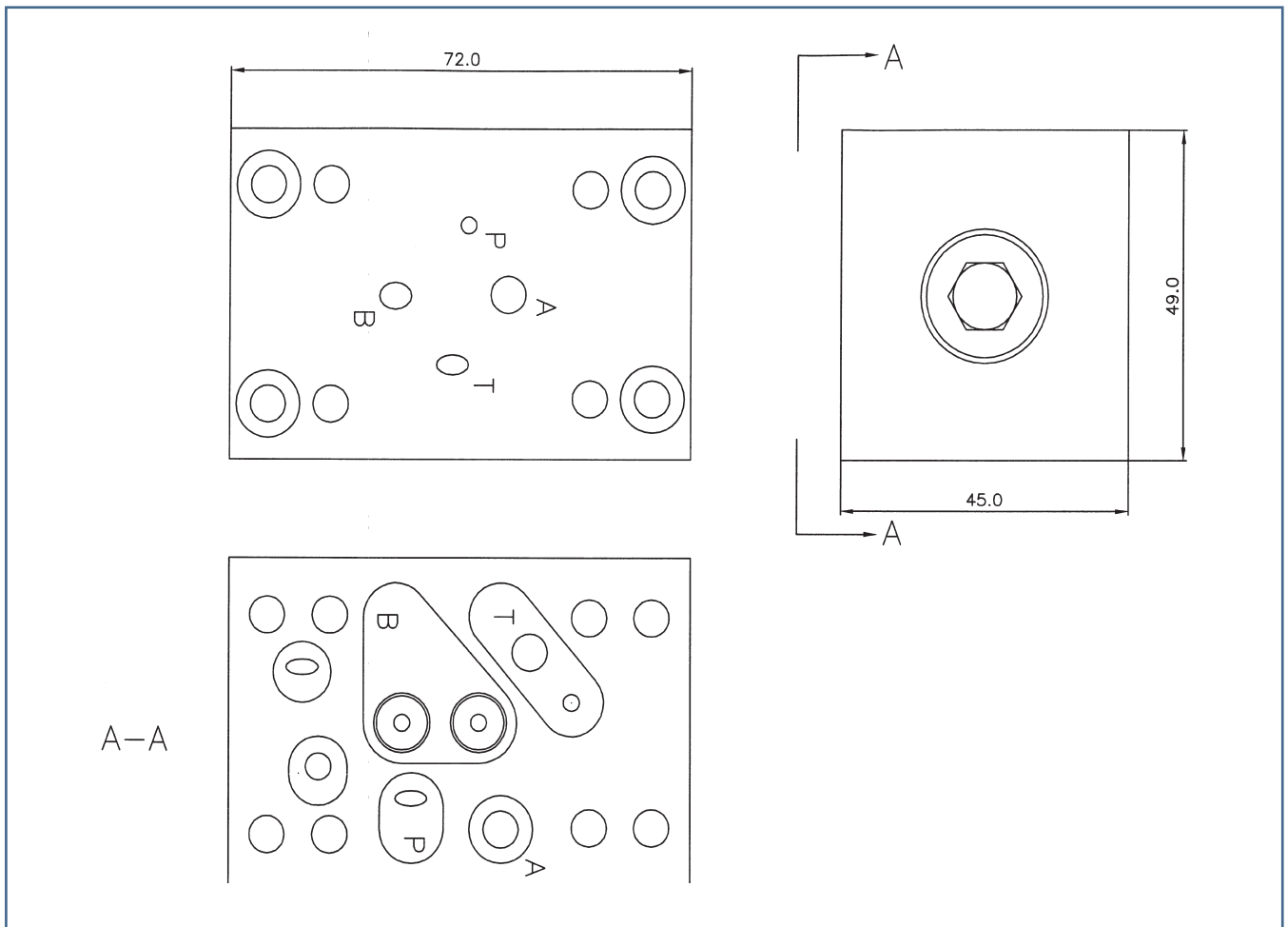
Technical Specification

Max. working pressure	135 bar ~ 1958 lbf/in ²
Max. test pressure	205 bar ~ 2973 lbf/in ²
Max. flow rate at 135 bar / 1958 lbf/in ² (through any line)	15 l/min.
Weight	1,2 kg. ~ 2,65 lb
Hydraulic media	Acid-free hydraulic oil
Viscosity	15-200 cSt
Filtration requirements	25 µm absolute or finer
Temperature range	-20°C to 80°C
Connection face	CETOP R 35H size 3, DIN 24340/VPI connection

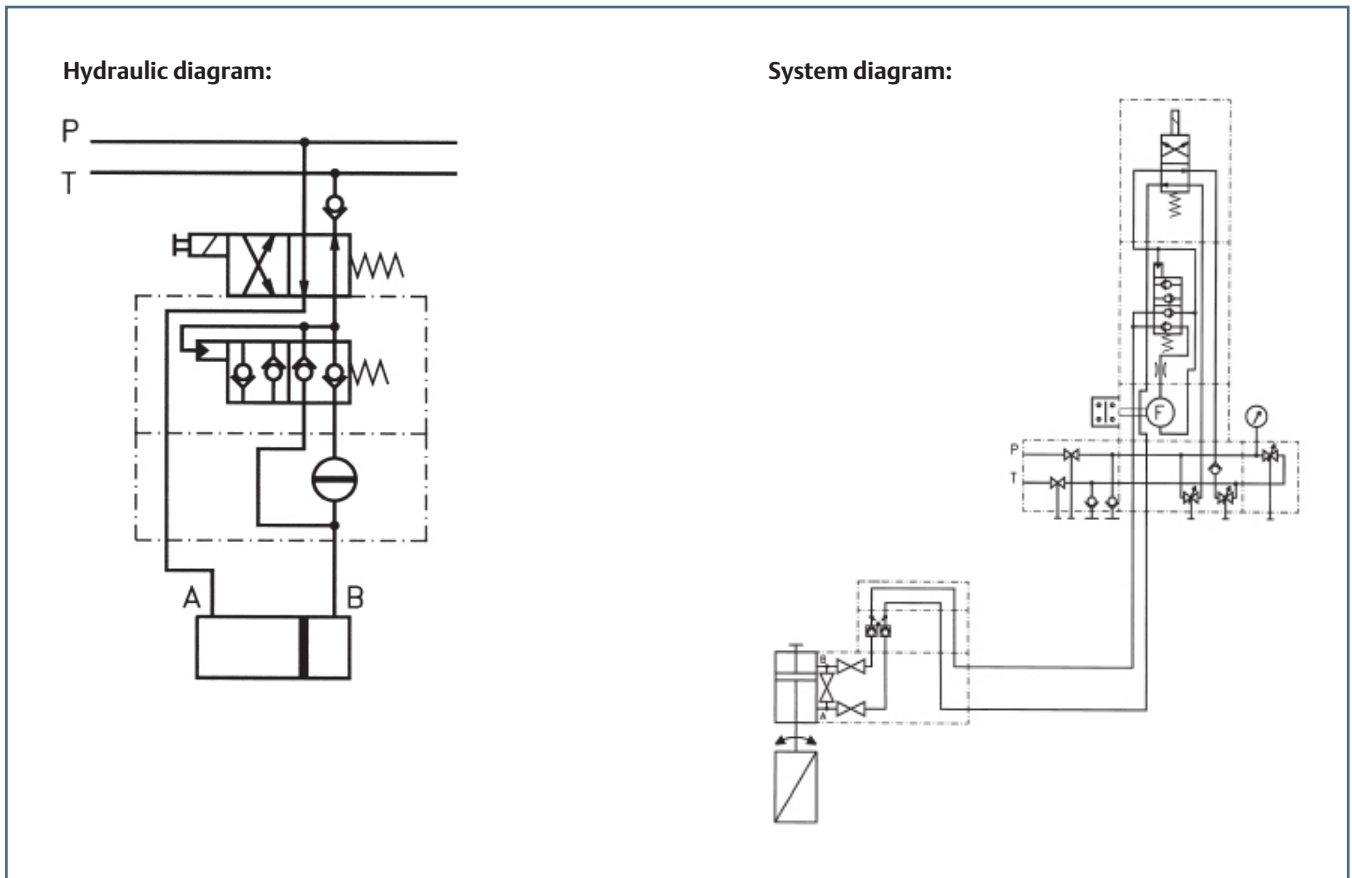
Materials

Housing	MS 58 (Brass)
Sign Plate	AISI 304
Screws	AISI 304

Main Dimensions



Hydraulic and System Diagram



©2020 Emerson. All rights reserved.

The Emerson logo is a trademark and service mark of Emerson Electric Co. Damcos and the Damcos logotype are trademarks of Damcos A/S. Damcos is a member of the Emerson family of companies. All other marks are the property of their respective owners.

Emerson Automation Solutions

Damcos A/S
Aaderupvej 41
DK-4700 Naestved
T +45 5578 7200
F +45 5578 7272

www.Emerson.com/marine

The contents of this publication are presented for information purposes only, and while effort has been made to ensure their accuracy, they are not to be construed as warranties or guarantees, expressed or implied, regarding the products or services described herein or their use or applicability. Standard Terms and Conditions of Sale can be issued by contacting Damcos A/S. We reserve the right to modify or improve the designs and specifications of our products at any time without notice. Damcos A/S accepts no responsibility for any errors that may appear in this publication.