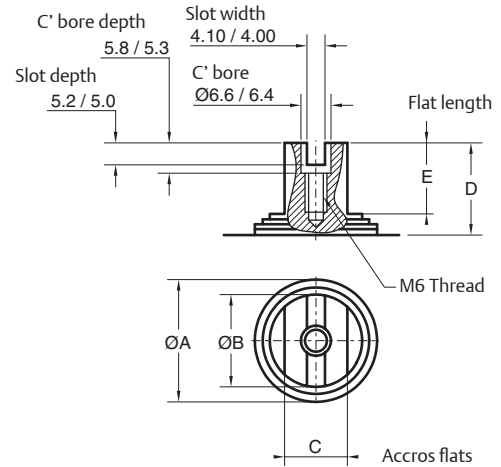


Top and Solenoid Mounting Details

XL26 - XL4581 Metric Actuators

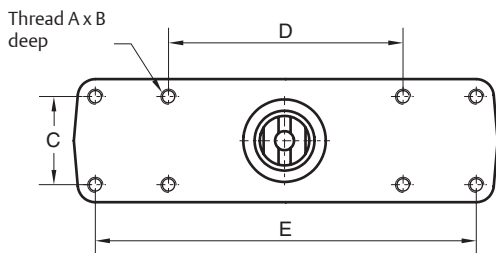
Pinion top details

Model	ØA	ØB	C	D	E
XL 26	24.6/24.5	16.6/16.5	14.00/13.85	20.1/19.9	16.4/16.0
XL 71	24.6/24.5	16.6/16.5	14.00/13.85	20.1/19.9	16.4/16.0
XL 131	24.6/24.5	16.6/16.5	14.00/13.85	20.1/19.9	16.4/16.0
XL 186	30.5/30.0	16.6/16.5	14.00/13.85	20.1/19.9	13.7/13.3
XL 221	30.5/30.0	16.6/16.5	14.00/13.85	20.1/19.9	13.7/13.3
XL 281	44.5/44.0	23.5/23.3	17.00/16.85	20.1/19.9	12.6/12.4
XL 426	64.5/64.0	43.5/43.3	22.00/21.85	20.1/19.9	12.6/12.4
XL 681	69.5/69.0	43.5/43.3	22.00/21.85	20.1/19.9	12.6/12.4
XL 1127	90.5/90.0	67.1/66.9	36.00/35.85	30.1/29.9	18.1/17.9
XL 1372	90.5/90.0	67.1/66.9	36.00/35.85	30.1/29.9	18.1/17.9
XL 2586	95.5/95.0	71.5/71.3	40.00/39.85	30.1/29.9	18.1/17.9
XL 4581	95.5/95.0	71.5/71.3	40.00/39.85	30.1/29.9	18.1/17.9

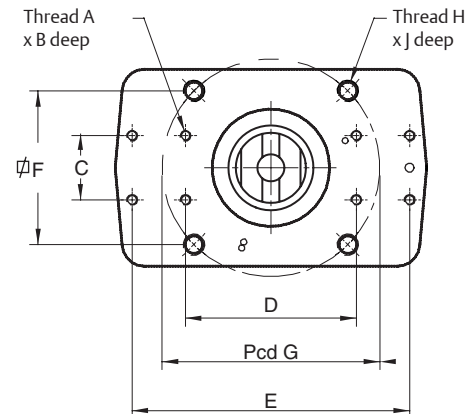


VDI / VDE Top Mounting details

XL 26 - XL221



XL 281 - XL4581



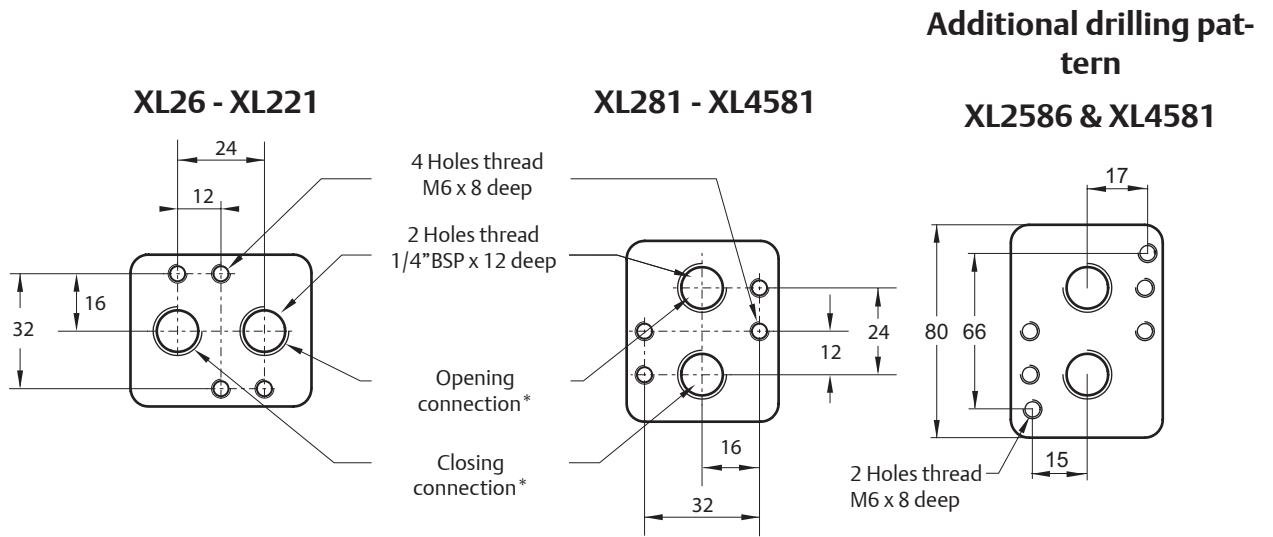
Model	A	B	C	D	E	ISO	F	H	J	G
XL 26	M5	6.25	30.0	80.0	-	-/-	-/-	-/-	-/-	-/-
XL 71	M5	6.25	30.0	80.0	-	-/-	-/-	-/-	-/-	-/-
XL 131	M5	6.25	30.0	80.0	130.0	-/-	-/-	-/-	-/-	-/-
XL 186	M5	6.25	30.0	80.0	130.0	-/-	-/-	-/-	-/-	-/-
XL 221	M5	6.25	30.0	80.0	130.0	-/-	-/-	-/-	-/-	-/-
XL 281	M5	8.0	30.0	80.0	130.0	F07	49.5	M8	12	70
XL 426	M5	8.0	30.0	80.0	130.0	F10	72.1	M10	15	102
XL 681	M5	8.0	30.0	80.0	130.0	F10	72.1	M10	15	102
XL 1127	M5	8.0	30.0	130.0	-	F12	88.4	M12	18	125
XL 1372	M5	8.0	30.0	130.0	-	F12	88.4	M12	18	125
XL 2586	M5	8.0	30.0	130.0	-	F16	116.7	M20	20	165
XL 4581	M5	8.0	30.0	130.0	-	F16	116.7	M20	20	165

Product Data sheet

D86 Rev 0 Page 2 of 2
October 2017

Hytorc XL

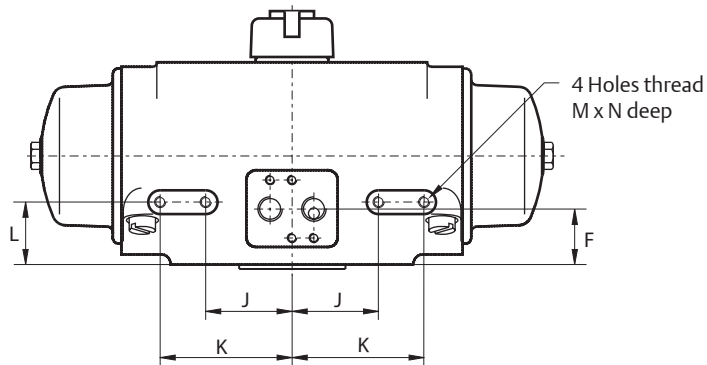
NAMUR Solenoid Mounting details



Note:

* "Opening" or "Closing" port operation, as shown, is for standard (Spring-to-Close) actuators. For reverse acting actuators (Spring-to-Open) the port operation is also reversed.

Additional Front mounting patterns



Model	F	J	K	L	M	N
XL26	29	31	46	32	M5	6.5
XL71	29	33.7	58.7	32	M5	6.5
XL131	30	47.3	72.3	34	M6	6.5
XL186	30	61.3	86.3	34	M6	6.5
XL221	33	62.5	87.5	37	M6	6.5

HYTORK™


EMERSON™