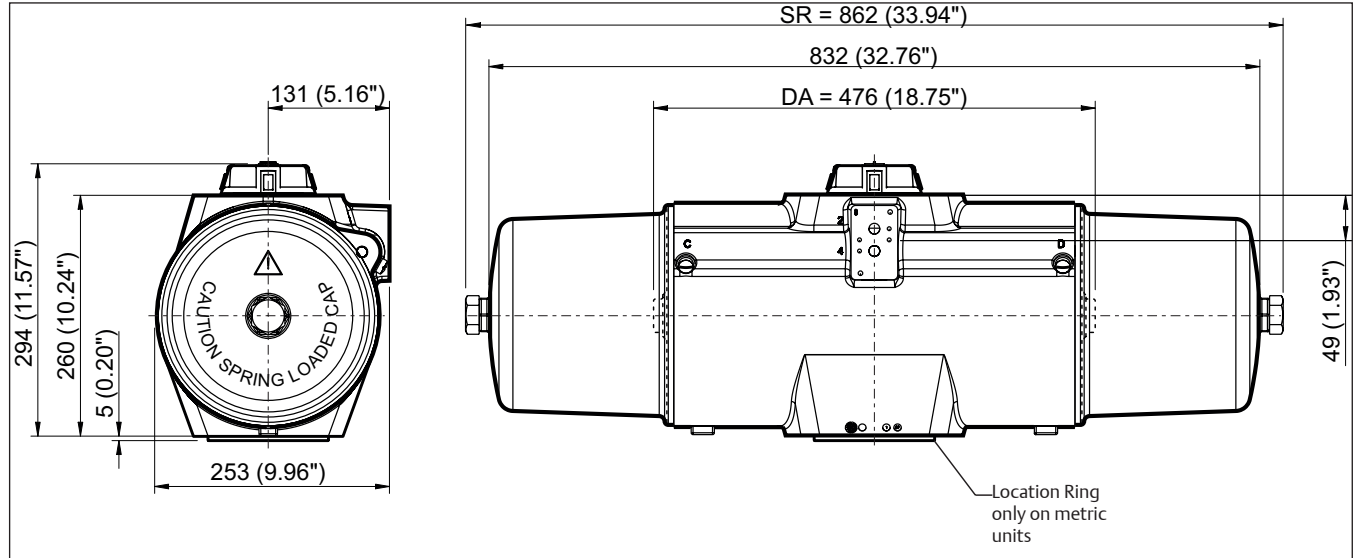


Envelope Dimensions and Torque Data

XL2586 Double acting and Spring Return actuator



Torque in Nm, Pressure in bar(g)

Double Acting Torques		999		1332		1665		1832		1998		2331		2664		
Spring Rating	Torque From Springs		3.0 bar(g)		4.0 bar(g)		5.0 bar(g)		5.5 bar(g)		6.0 bar(g)		7.0 bar(g)		8.0 bar(g)	
	Start	End	Start	End	Start	End	Start	End	Start	End	Start	End	Start	End	Start	End
S40	574	345	654	425	987	758	1320	1091	1487	1257	1654	1424	1987	1757	2320	2090
S50	718	431	568	281	901	614	1234	947	1401	1114	1567	1280	1900	1613	2233	1946
S60	862	517	482	137	815	470	1148	803	1315	970	1481	1137	1814	1470	2147	1803
S70	1005	603	-	-	729	327	1062	660	1228	826	1395	993	1728	1326	2061	1659
S80	1149	689	-	-	643	183	976	516	1142	683	1309	849	1642	1182	1975	1515
S90	1293	776	-	-	-	-	890	373	1056	539	1223	706	1556	1039	1889	1372
S1C	1436	862	-	-	-	-	803	229	970	396	1136	562	1470	895	1803	1228

Torque in inch-pounds, Pressure in PSI

Double Acting Torques		8075		10094		12113		16150		18169		20188		24225		
Spring Rating	Torque From Springs		40 PSI		50 PSI		60 PSI		80 PSI		90 PSI		100 PSI		120 PSI	
	Start	End	Start	End	Start	End	Start	End	Start	End	Start	End	Start	End	Start	End
S40	5084	3051	5024	2991	7043	5010	9062	7028	13099	11066	15118	13085	17137	15103	21174	19141
S50	6355	3813	4262	1720	6281	3739	8299	5757	12337	9795	14356	11814	16374	13832	20412	17870
S60	7626	4576	-	-	5518	2468	7537	4486	11574	8524	13593	10543	15612	12561	19649	16599
S70	8897	5338	-	-	-	-	6774	3215	10812	7253	12830	9272	14849	11290	18887	15328
S80	10168	6101	-	-	-	-	6011	1944	10049	5982	12068	8001	14086	10019	18124	14057
S90	11439	6864	-	-	-	-	-	-	9286	4711	11305	6730	13324	8748	17361	12786
S1C	12710	7626	-	-	-	-	-	-	8524	3440	10542	5459	12561	7477	16599	11515