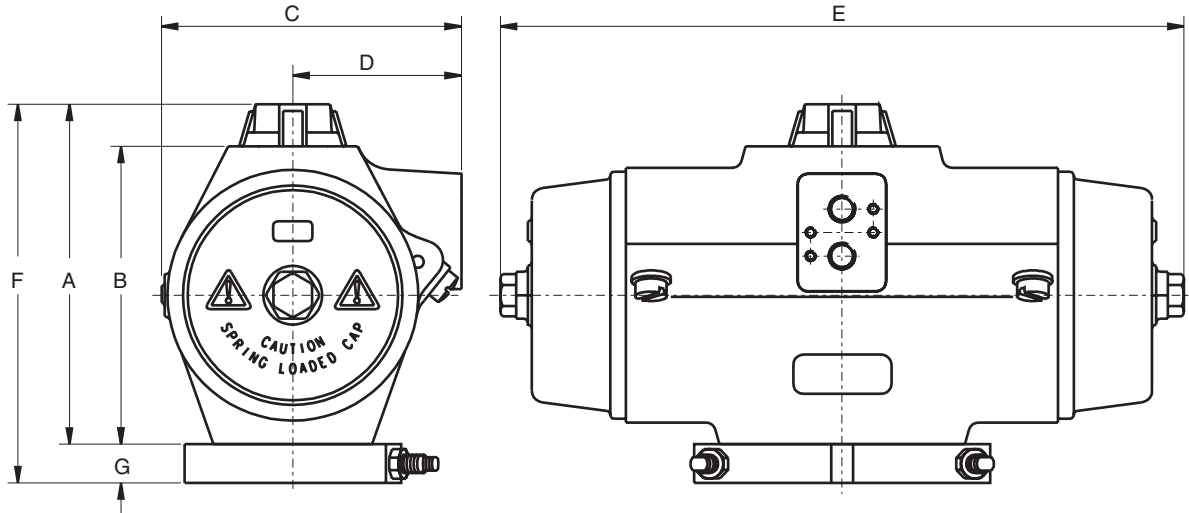


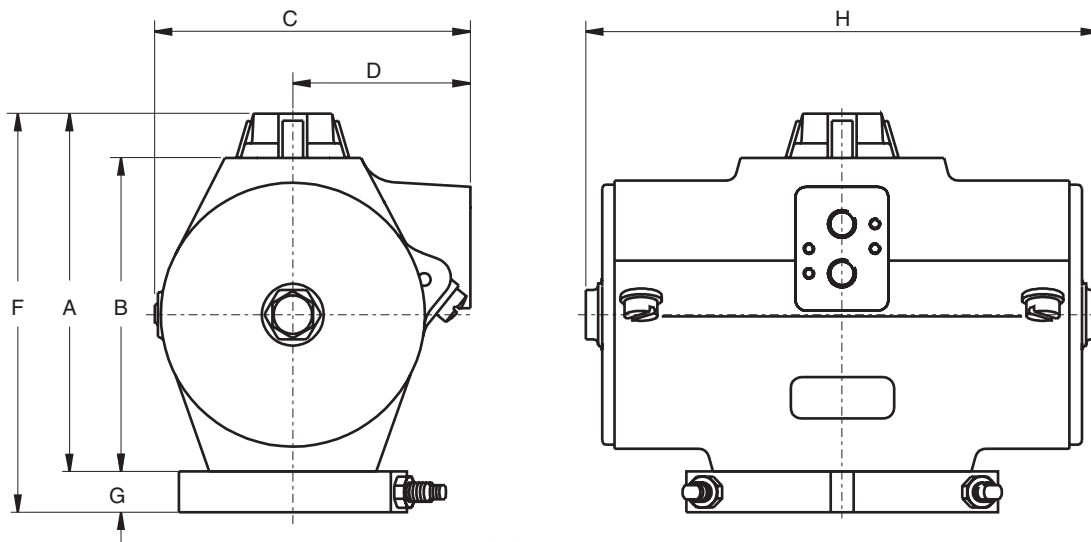
Envelope Dimensions

XL2586 / XL4581 Actuators with Stop Blocks (Metric)



Spring Return Units

| Models | A | B | C | D | E | F | G | Weight (kg) | |
|--------|-------|-------|-------|-------|-------|-------|------|-------------|----------|
| | | | | | | | | Block | Assembly |
| XL2586 | 292.0 | 260.0 | 253.0 | 131.0 | 862.0 | 338.0 | 46.0 | 9.5 | 88.5 |
| XL4581 | 388.0 | 356.0 | 321.0 | 160.0 | 884.0 | 434.0 | 46.0 | 9.5 | 151.5 |



Double Acting Units

| Models | A | B | C | D | H | F | G | Weight (kg) | |
|--------|-------|-------|-------|-------|-------|-------|------|-------------|----------|
| | | | | | | | | Block | Assembly |
| XL2586 | 292.0 | 260.0 | 253.0 | 131.0 | 467.0 | 337.0 | 46.0 | 9.5 | 55.5 |
| XL4581 | 388.0 | 356.0 | 321.0 | 160.0 | 515.0 | 433.0 | 46.0 | 9.5 | 92.5 |