

High Temperature Actuator

For general high temperature applications

These Hytorch XL Actuators contain special soft parts, like O-ring seals, wear strips, bearings and grease to enable them to remain functional at high temperatures of up to +120°C / +248°F.

Option:

A special execution is available for Tunnel Applications. This execution allows higher temperatures than +120° / 248°F, but with a limited operational time and number of cycles (up to 250°C / 482°F, for a minimum of 2 hours).

Please see data sheet D120 for more details.

High temperature pistons

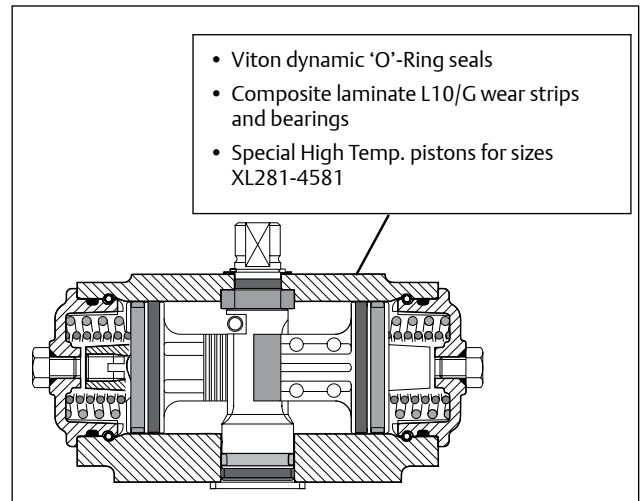
Hytorch XL actuator sizes XL26 up to XL221 suitable for high temperature operation do not require special pistons.

Hytorch XL actuator sizes XL281 up to XL4581 suitable for high temperature operation (-20°C to +120°C / -4°F to +248°F) require special pistons to keep the high temperature gear rack wear strip in place.

- In case of repair of a High Temperature actuator which will have the special pistons, only a repair kit is available. The repair kit contains all the necessary O-ring seals, bearings, washers and clip. Grease is not included.
- In case of a conversion from a standard temperature actuator to a High Temperature actuator which requires special pistons, the High Temperature conversion kits are available. The Conversion kit contains the special pistons and all the necessary O-ring seals, bearings, washers and clip. Grease is not included.

Specifications:

Temperature range	: -20 °C to +120 °C / -4 °F to +248 °F
Dynamic O-ring seals	: Flourocarbon Rubber 9775 (Viton).
Static O-ring seals	: Nittrile Rubber (Buna-N)
Bearing material	: High Temp composite laminate L10/G
Grease	: Castrol High Temperature (Formerly called Castrol LMX) : Rocol Sapphire Premier (Formerly called Sapphire HI-TEMP 2) : Castrol Spheerol EPL 2 (Formerly called BP Energrease LS-EP2) : Total Ceran XM 220 (Formerly called Total Ceran WR2)



Component Description	Material	Qty	Model Numbers
Dynamic 'O'-ring Seals (to be exchanged)			
'O' ring Pinion top	Flourocarbon Rubber 9775 (Viton).	1	XL26 - XL4581
'O' ring Pinion Bottom	Flourocarbon Rubber 9775 (Viton).	1	XL26 - XL4581
'O' ring Piston	Flourocarbon Rubber 9775 (Viton).	2	XL26 - XL4581
Static 'O'-ring Seals (same as standard)			
'O' ring End Cap	Nittrile Rubber (Buna-N)	2	XL26 - XL4581
'O' ring SAFEKEY Head	Nittrile Rubber (Buna-N)	2	XL26 - XL4581
Thread Seal	Stainless Steel / Rubber	2	XL26 - XL221
'O' ring Limit Stops	Nittrile Rubber (Buna-N)	2	XL281 - XL1372
'O' ring End Cap Stop bolt	Nittrile Rubber (Buna-N)	2	XL26 - XL4581
Pistons, Wear Strips and Bearings (to be exchanged)			
High Temp. Pistons	Aluminum Alloy + dowel pin	2	XL281 - XL4581
Piston Wear Strips	High Temp composite laminate L10/G	2	XL26 - XL4581
Piston Head Glide Ring	High Temp composite laminate L10/G	2	XL26 - XL4581
Pinion Top Bearing	High Temp composite laminate L10/G	1	XL26 - XL4581
Pinion Bottom Bearing	High Temp composite laminate L10/G	1	XL26 - XL4581

