

# Data sheet

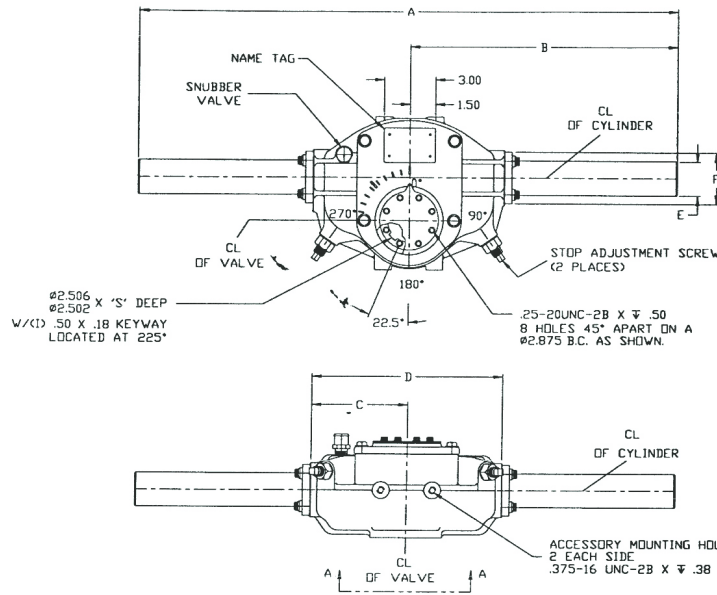
Sheet No.: HHI 3.01 RevB

Date: August 2010

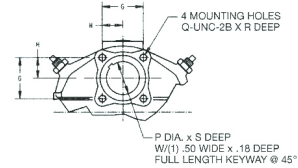
# HD-Series

## Dimensions – (Hydraulic) In.

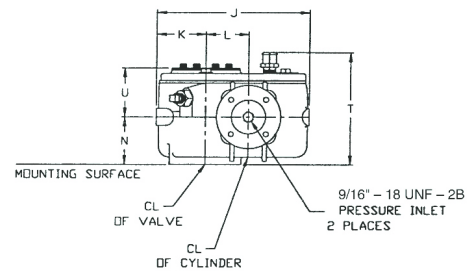
### Double-Acting Actuators



NOTE: ACTUATOR SHOWN ROTATED TO THE FULL CLOCKWISE POSITION.



VIEW A-A MOUNTING DIMENSIONS



Actuator Model	A	B	C	D	E	F	G	H	J	K	L	M	N	P	Q	R	S	T	U
H251.5	31.50	15.75	5.56	11.12	2.00	3.75	3.18	1.59	8.91	2.87	2.50	N/A	2.81	N/A	1/2-13	0.75	5.62	7.12	3.00

Note: Not Certified dimensional drawings. Such drawings available on request.  
 Contact factory with correct model designation and serial number.  
 All dimensions are expressed in inches.

# BETTIS™

www.emerson.com/bettis

Copyright © Emerson. The information in this document is subject to change without notice.

Updated data sheets can be obtained from our website [www.emerson.com/bettis](http://www.emerson.com/bettis) or from your nearest Actuation Technologies Center:

America's: +1 281 477 4100 (fax 477 2809) Europe: +36 22 53 09 50 (fax +36 22 54 37 00) Asia/Pacific: +65 650 14 600 (fax +65 626 80 028)



# EMERSON™

**Data sheet**

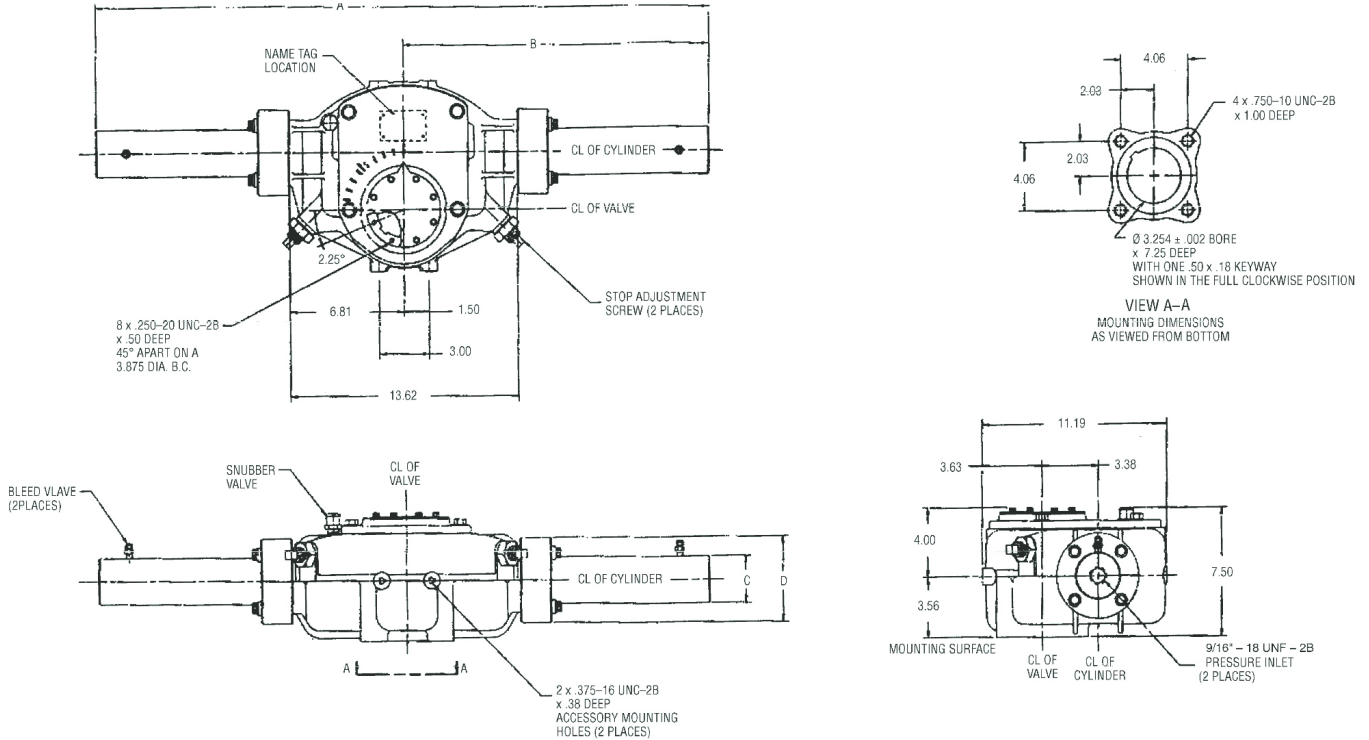
Sheet No.: HHI 3.02 RevB

Date: August 2010

**HD-Series**

# Dimensions – (Hydraulic) In.

## Double-Acting Actuators



Actuator Model	A	B	C	D
H352.1	36.88	18.44	2.75	5.00

Note: Not Certified dimensional drawings. Such drawings available on request.  
 Contact factory with correct model designation and serial number.  
 All dimensions are expressed in inches.

**BETTIS™**

www.emerson.com/bettis

Copyright © Emerson. The information in this document is subject to change without notice.

Updated data sheets can be obtained from our website [www.emerson.com/bettis](http://www.emerson.com/bettis) or from your nearest Actuation Technologies Center:

America's: +1 281 477 4100 (fax 477 2809) Europe: +36 22 53 09 50 (fax +36 22 54 37 00) Asia/Pacific: +65 650 14 600 (fax +65 626 80 028)

**EMERSON™**

# Data sheet

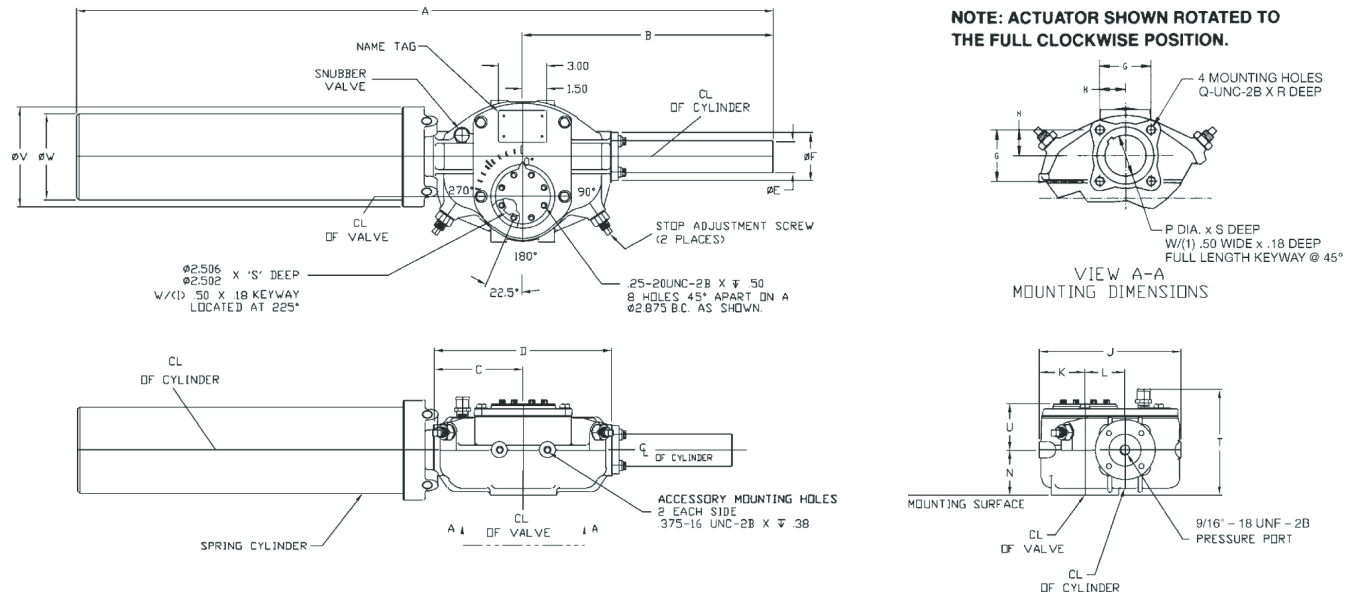
Sheet No.: HHI 3.03 RevB

Date: August 2010

# HD-Series

## Dimensions – (Hydraulic) In.

### Spring-Return Actuators



Actuator Model	A	B	C	D	E	F	G	H	J	K	L	M	N	Q	R	S	T	U	V	W
HD251.5-SR 560	43.69																			
HD251.5-SR 5150	49.47																			
HD251-SR 5100																				
HD251-SR 5125		15.75	5.56	11.12	2.00	3.75	3.18	1.59	8.91	2.87	2.50	N.A.	2.81	1/2-13	0.75	5.62	7.12	3.00	5.94	5.37
HD251-SR 580	43.69																			
HD251-SR 540																				
HD251-SR 560																				

Note: Not Certified dimensional drawings. Such drawings available on request.  
 Contact factory with correct model designation and serial number.  
 All dimensions are expressed in inches.

# BETTIS™

www.emerson.com/bettis

Copyright © Emerson. The information in this document is subject to change without notice.

Updated data sheets can be obtained from our website [www.emerson.com/bettis](http://www.emerson.com/bettis) or from your nearest Actuation Technologies Center:

America's: +1 281 477 4100 (fax 477 2809) Europe: +36 22 53 09 50 (fax +36 22 54 37 00) Asia/Pacific: +65 650 14 600 (fax +65 626 80 028)

**Data sheet**

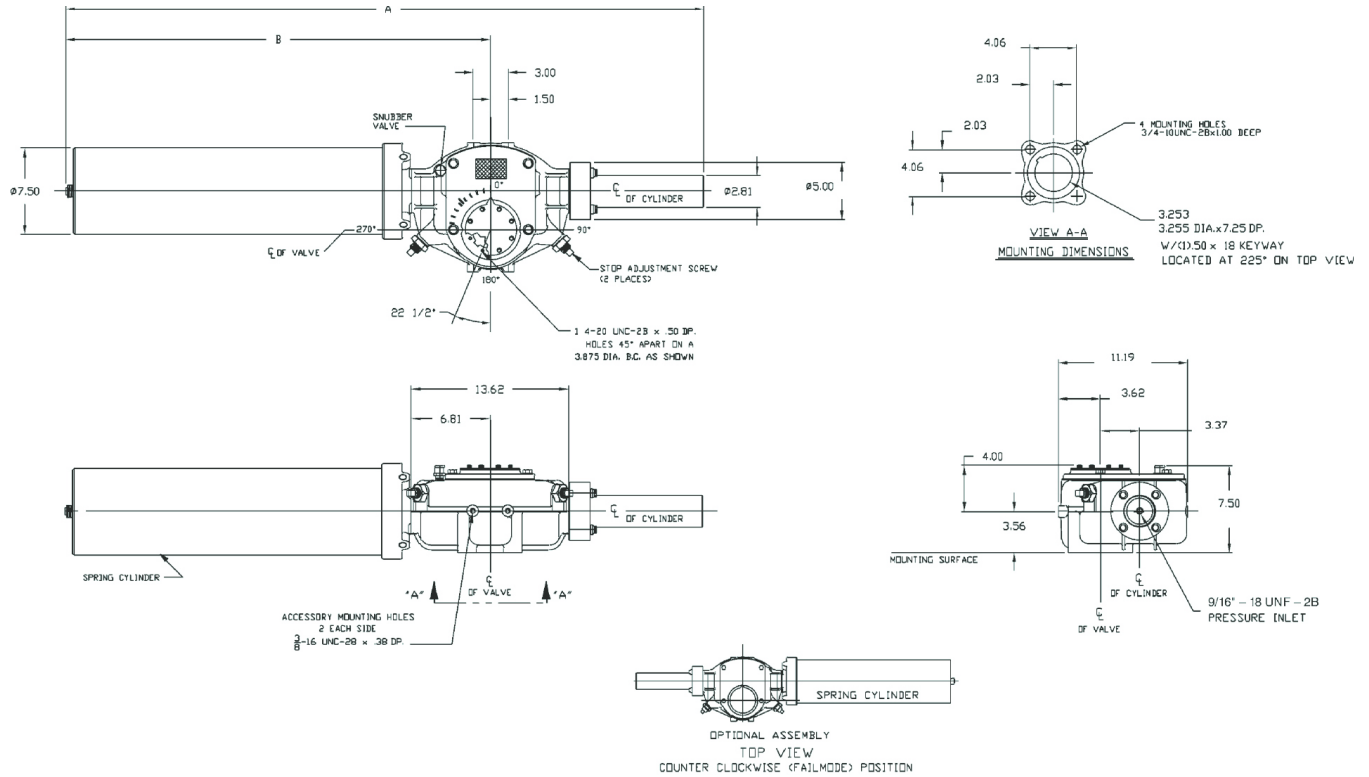
Sheet No.: HHI 3.04 RevB

Date: August 2010

**HD-Series**

# Dimensions – (Hydraulic) In.

## Spring-Return Actuators



Actuator Model	A	B
H352.1-SR 740/760	59.87	37.87
H352.1-SR 780/7100	59.87	37.87
H352.1-SR 7125/7150	65.25	43.25

Note: Not Certified dimensional drawings. Such drawings available on request.  
 Contact factory with correct model designation and serial number.  
 All dimensions are expressed in inches.

**BETTIS™**

**EMERSON™**