

# Low Temperature Actuator

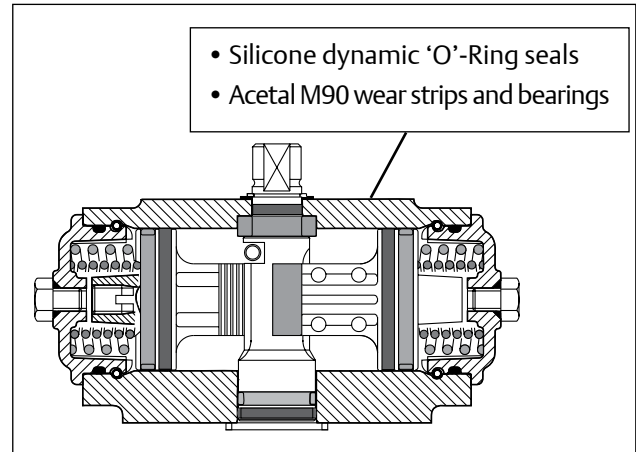
For for general low temperature applications

These Hytork XL Actuators contain special 'O'-ring seals, and grease to enable them to remain functional at low temperatures of down to -40 °C / -40 °F.

Hytork XL actuators can be supplied as standard with a Low Temperature trim kit. To upgrade standard Hytork XL actuators to this Low Temperature variation or for maintenance, trim kits are available with the appropriate parts and instructions.

**Specifications:**

- Temperature range : -40 °C to +100 °C / -40 °F to +212 °F
- Dynamic O-ring seals : Silicone Rubber 8870.
- Static O-ring seals : Nitrile Rubber (Buna-N)
- Bearing material : Acetal M90 (same as standard actuator)
- Grease : Castrol Optitemp LG2 grease or SKF - LGLT 2 grease or FUCHS - Renolit Unitemp 2 grease



Component Description	Material	Qty	Model Numbers
<b>Dynamic 'O'-ring Seals (to be exchanged)</b>			
'O' ring Pinion top	Silicone Rubber 8870	1	XL26 - XL4581
'O' ring Pinion Bottom	Silicone Rubber 8870	1	XL26 - XL4581
'O' ring Piston	Silicone Rubber 8870	2	XL26 - XL4581
<b>Static 'O'-ring Seals (same as standard)</b>			
'O' ring End Cap	Nitrile Rubber (Buna-N)	2	XL26 - XL4581
'O' ring SAFEKEY Head	Nitrile Rubber (Buna-N)	2	XL26 - XL4581
Thread Seal	Stainless Steel / Rubber	2	XL26 - XL221
'O' ring Limit Stops	Nitrile Rubber (Buna-N)	2	XL281 - XL1372
'O' ring End Cap Stop bolt	Nitrile Rubber (Buna-N)	2	XL26 - XL4581
<b>Wear Strips and Bearings (to be exchanged)</b>			
Piston Wear Strips	Acetal M90	2	XL26 - XL4581
Piston Head Glide Ring	Acetal M90	2	XL26 - XL4581
Pinion Top Bearing	Acetal M90	1	XL26 - XL4581
Pinion Bottom Bearing	Acetal M90	1	XL26 - XL4581

