

Online Interfaces and Optional Features

- Fully implement predictive diagnostics to improve plant availability and reduce maintenance costs
- Gain more insight on device health by securely publishing data for use in analytics applications
- Add new features and interfaces as your needs change



AMS Device Manager provides predictive diagnostics to improve plant reliability and reduce maintenance costs.

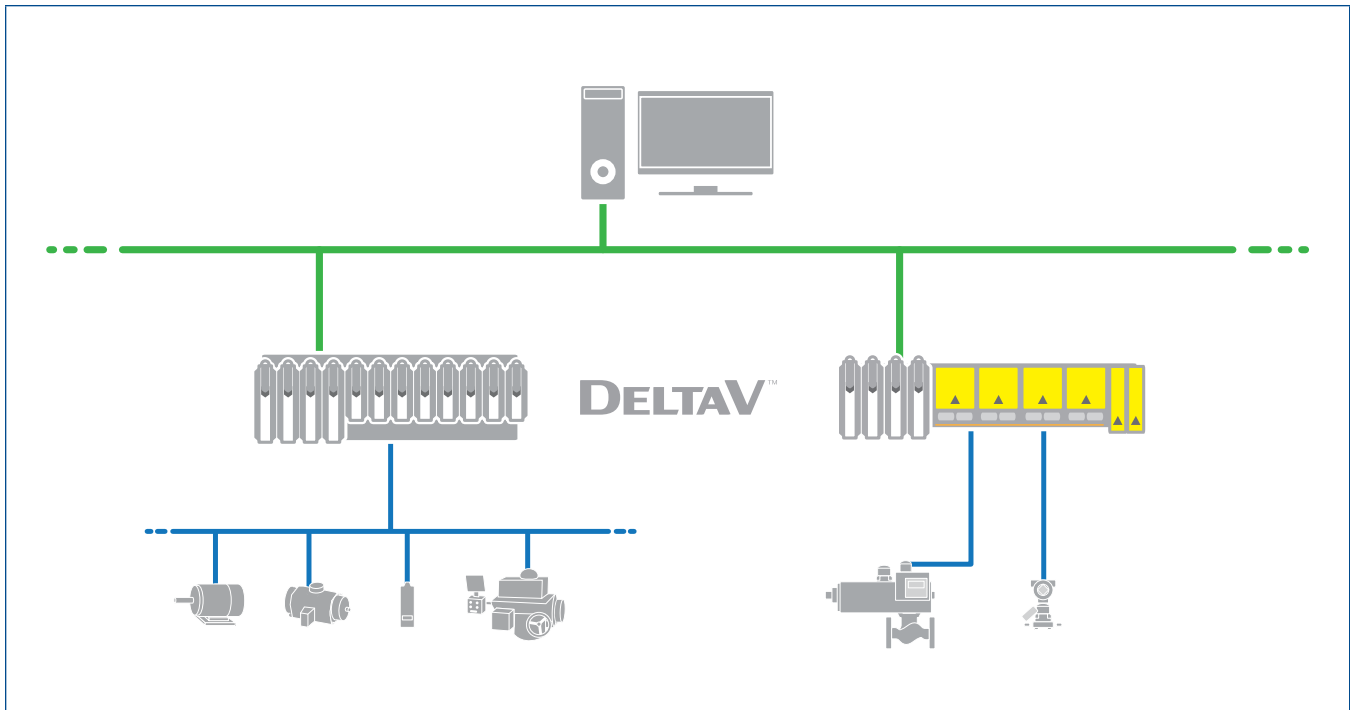
AMS Device Manager

AMS Device Manager provides access to predictive diagnostics and real-time field device information to improve reliability and performance. Reduce time required to troubleshoot, configure, and calibrate field devices to more effectively deploy your maintenance resources and improve operations efficiency.

You can also automatically document your maintenance activities to eliminate errors from manual reporting to create an audit-ready plant.

Optional features and interfaces include:

- Audit Trail
- Calibration Assistant SNAP-ON™ application with Smart Documenting Calibrator Interface
- Data Server
- Integration Tools
- Interfaces
 - DeltaV™
 - HART-IP (Tricon CX, HIMax, Honeywell OneWireless, Phoenix Contact HART® Multiplexer, smartLink HW-DP, FB3000, Open Enterprise, Schneider M580, ControlLogix, R. Stahl IS1+)
 - Handheld Communicator Interface
 - HART Multiplexer Interface
 - Smart Wireless Interface



Using AMS Device Manager with a DeltaV™ control system enables you to access important predictive diagnostics.

Licensed Options Extend Asset Management Capabilities

Extend the reach of your AMS Device Manager system by adding licensed options that meet the needs of your plant.

Audit Trail

Audit Trail provides historical records of device configuration changes and performance.

You can view records based on tag or serial number. Each record allows you to look at the changes for a specific device, the reason for the change, and who performed it. Audit Trail records can be used to help meet process safety requirements. All records are date- and time-stamped and have a user/PC correlation. To ensure data integrity, historical records cannot be edited.

Data Server

AMS Device Manager Data Server enables an organization’s ability to capitalize on existing software and technology footprint and more confidently pursue higher return on investment.

With the Data Server, you can continuously gather data pertaining to your plant’s critical field devices for enhanced

predictive diagnostics. By leveraging it, users can replicate their AMS Device Manager data outside the process control network – securely extending this data into both Emerson and third-party destinations like plant historians, data lakes, visualization and dashboard applications for advanced analytics.

Integration Tools

Integration Tools enables the OPC DA Server in AMS Device Manager, which allows OPC DA Client applications to access device data in the database or directly from the device. Integration Tools also enables the XML Web Services to interface device information with third-party applications.

Host System Interfaces

DeltaV System

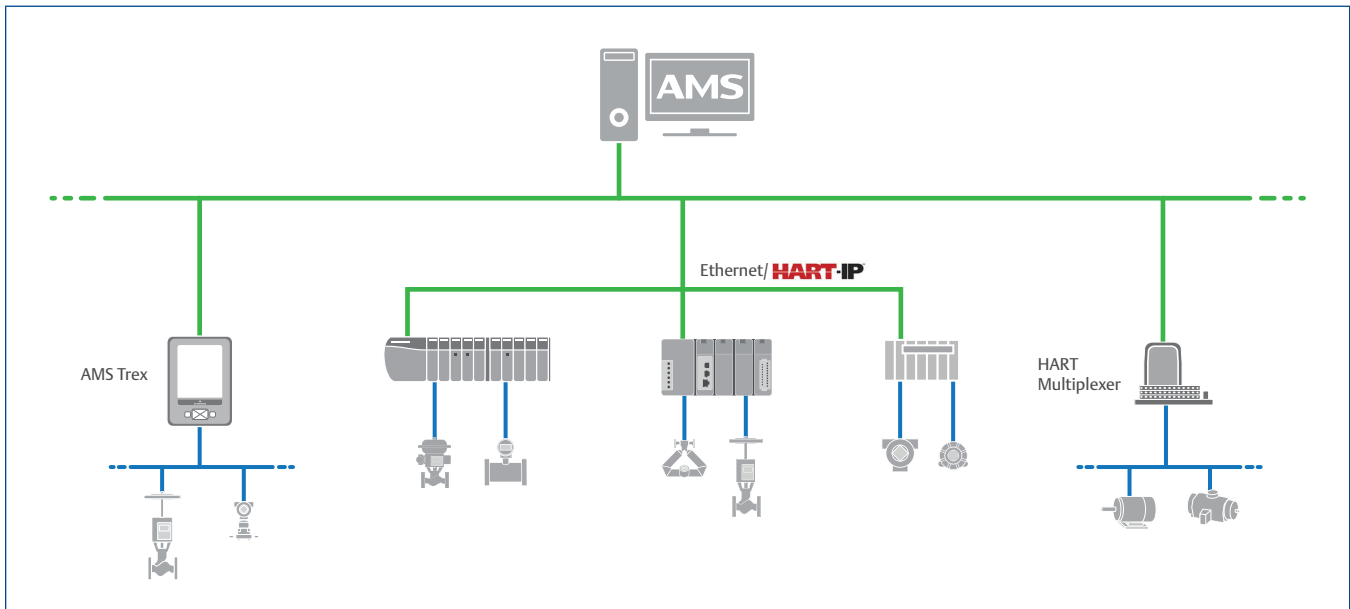
AMS Device Manager and the DeltaV system work together to deliver a user interface in an integrated operating environment for HART, FOUNDATION Fieldbus, IEC-approved WirelessHART®, PROFIBUS DP, and PROFIBUS PA devices.

The DeltaV system passes field device data through the controller to AMS Device Manager without the need for extra hardware or wiring to provide a comprehensive asset management solution.

Handheld Communicator Interface

The Handheld Communicator Interface enables you to transfer HART device configuration information and synchronize information between your AMS Device Manager database and an AMS Trex.

Synchronization happens automatically when AMS Trex is connected to a paired AMS Device Manager station using USB, or when it is connected to a Wi-Fi network. An Audit Trail entry indicates each pairing, unpairing, and synchronization with a specific Trex unit.



AMS Device Manager supports a variety of interfaces to make it easy to access your device diagnostics.

HART Multiplexer Interface

The HART Multiplexer Interface allows you to access real-time HART device diagnostics in AMS Device Manager while using a legacy or third-party host system. Connect AMS Device Manager to a multiplexer to gain fast access to all your HART devices, regardless of the host.

HART-IP Interface

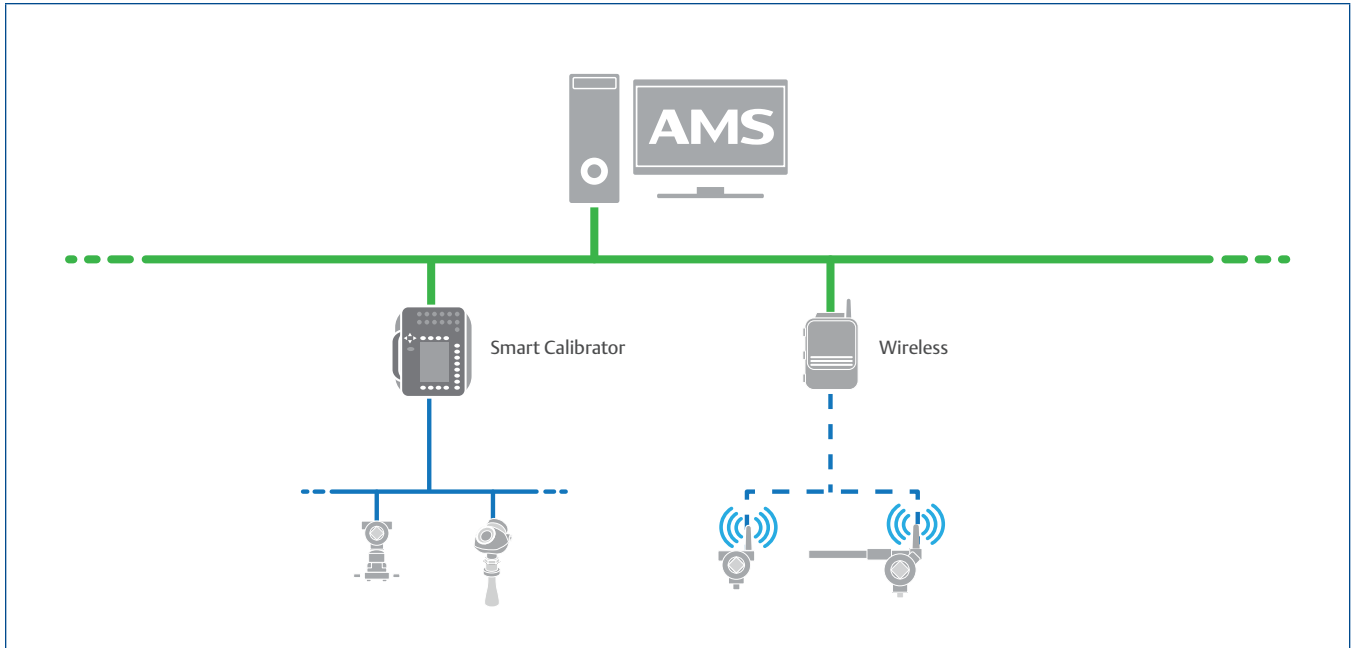
HART-IP is a simple-to-use, open technology that allows host systems and asset management applications to integrate with HART enabled devices for better diagnostics and device management. AMS Device Manager can access HART devices through existing plant IP networks such as Ethernet, Wi-Fi or fiber optic networks.

Smart Calibrator Interface

AMS Device Manager interfaces with documenting calibrators through the Calibration Assistant SNAP-ON application to manage the calibrations of HART, FOUNDATION Fieldbus, and conventional devices. Transfer data between your calibrator and AMS Device Manager to eliminate manual records and the possibility of errors. You can automatically check As-Found/ As-Left information into AMS Device Manager, allowing you to keep accurate, organized calibration records right at your fingertips.

Wireless Interface

The Wireless Interface provides easy access to your WirelessHART devices via the Emerson Wireless Gateway. With the Wireless Interface, you can view predictive diagnostics in devices that were once out of physical or economic reach. Use AMS Device Manager for remote configuration and diagnostics without the additional expense of multiplexer installation and wiring.



Gain access to predictive device diagnostics with AMS Device Manager interfaces.

Lifecycle Services

Get off to a strong start with Guardian. Guardian is Emerson’s digital platform for addressing the end-to-end lifecycle needs of control software and assets. The Guardian digital experience enables users to quickly connect to product support and interact with additional software and services that propel performance.

Our experts will:

- Design and execute an optimized maintenance strategy for a new or existing facility.
- Install the applications and complete your initial configurations.

- Implement re-engineered maintenance tasks to optimize your use of AMS Device Manager with your smart devices, while integrating data with your enterprise asset management system to enable measurement of improvement to your facility’s bottom line.

Contact your local Emerson sales representative for more information.

©2023, Emerson. All rights reserved.

The Emerson logo is a trademark and service mark of Emerson Electric Co. The AMS logo is a mark of one of the Emerson family of companies. All other marks are the property of their respective owners.

The contents of this publication are presented for informational purposes only, and while diligent efforts were made to ensure their accuracy, they are not to be construed as warranties or guarantees, express or implied, regarding the products or services described herein or their use or applicability. All sales are governed by our terms and conditions, which are available on request. We reserve the right to modify or improve the designs or specifications of our products at any time without notice.

Contact Us
www.emerson.com/contactus