

MODEL NO.

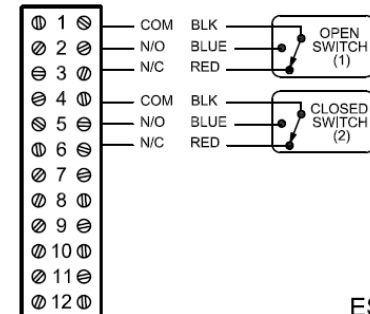
TVH-K20GNPM

PRODUCT LINE

Discrete Valve Monitor

SPECIFICATIONS

Model	TVH, Stainless Steel base and lid
Bus/Sensor	(2) Mech SPDT w/gold contacts
Area Classification	Class 1, Div. 1, Groups A,B,C&D; Class II, Div. 1, Groups E,F&G; Type 4, 4X; Ex ia IIC T4, Ex tb IIIC T135°C Db, IP64
Visual Display	90° Green Open / Red Closed
Shaft	NAMUR, 304 Stainless Steel
Conduit Entries	(2) 1/2" NPT
O-rings	Silicone
Temperature Rating	-50°C to 60°C



ES-02994-1 R2

Current as of Jan 9, 2015 - subject to change without notice

TOPWORX

TopWorx, Inc.
3300 Fern Valley Rd.
Louisville, KY 40213

(502) 969-8000 ph.
(502) 969-5911 fax
www.topworx.com