



YARWAY UF800 FLOAT AND THERMOSTATIC STEAM TRAPS

For use with universal connectors



MAIN FEATURES

- Sealed, non-repairable.
- Modulating discharge.
- Discharges condensate at steam temperature.
- Unaffected by sudden or wide load and pressure changes.
- Excellent air discharge (by thermostatic air vent).

DESCRIPTION

UF800 stainless steel, maintenance-free, sealed float and thermostatic (integral air vent) steam traps are designed for low and medium pressure steam applications and all types of heating and process equipment. Typical applications include unit heaters, heat exchangers, dryers, jacketed vessels and all the applications where continuous drainage is essential. These traps fit the Yarway universal connectors.

TECHNICAL DATA

Use:	Saturated and superheated steam.
Available Models:	UF800-65, 145, 203, 305, 464
Sizes:	Based on the universal connector.
Installation:	Always in a horizontal plane with the "O" of the TOP inscription perfectly aligned with the vertical axis.

YARWAY UF800 FLOAT AND THERMOSTATIC STEAM TRAPS

FLOW RATE CAPACITY in lb/h

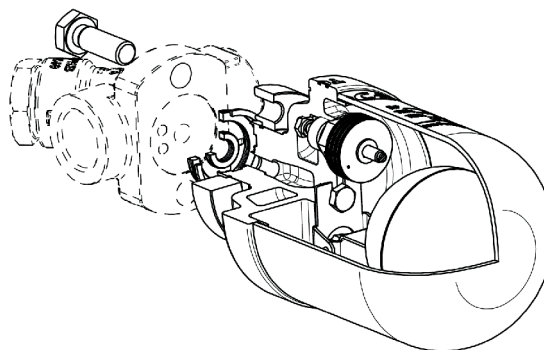
Model	DIFFERENTIAL PRESSURE (psi)															
	7.3	14.5	21.8	29.0	43.5	65.3	87.0	101	116	130	145	174	203	232	304	464
UF800-65	507	728	882	970	1179	1389										
UF800-145	331	441	551	617	750	882	1014	1091	1146	1213	1312					
UF800-203	265	331	419	485	573	705	838	882	937	970	1058	1124	1213			
UF800-305	132	176	198	254	298	353	419	441	485	507	529	573	595	639	661	
UF800-464	79	110	137	165	198	231	265	309	331	342	353	375	419	441	507	617

FLOW RATE CAPACITY in kg/h

Model	DIFFERENTIAL PRESSURE (bar)															
	0.5	1	1.5	2	3	4.5	6	7	8	9	10	12	14	16	21	32
UF800-65	230	330	400	440	535	630										
UF800-145	150	200	250	280	340	400	460	495	520	550	595					
UF800-203	120	150	190	220	260	320	380	400	425	440	480	510	550			
UF800-305	60	80	90	115	135	160	190	200	220	230	240	260	270	290	300	
UF800-464	36	50	62	75	90	105	120	140	150	155	160	170	190	200	230	280

BODY LIMITING CONDITIONS

ANSI 300			
Allowable Pressure		Related Temperature	
psi	bar	°F	°C
693	47.8	14/122	-10/50
593	40.9	212	100
499	34.4	392	200
444	30.6	572	300
415	28.6	752	400



PMO - Maximum Operating Pressure 464 psi (32 bar)
TMO - Maximum Operating Temperature 473°F (245°C)

The connector may restrict the operating conditions to a lower rating.

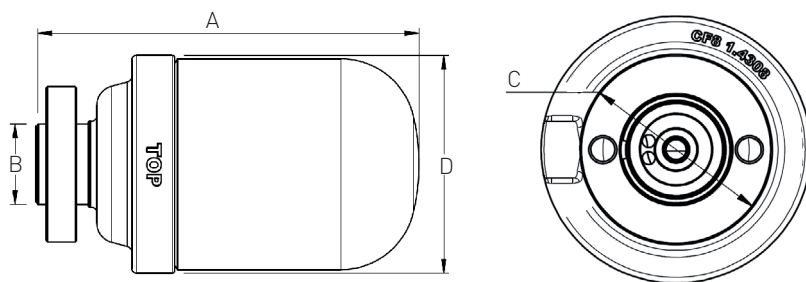
MAXIMUM DIFFERENTIAL PRESSURE

Model	MAXIMUM DIFFERENTIAL PRESSURE	
	psi	bar
UF800-65	65	4.5
UF800-145	145	10
UF800-203	203	14
UF800-305	305	21
UF800-464	464	32

YARWAY UF800 FLOAT AND THERMOSTATIC STEAM TRAPS

DIMENSIONS, in. (mm)

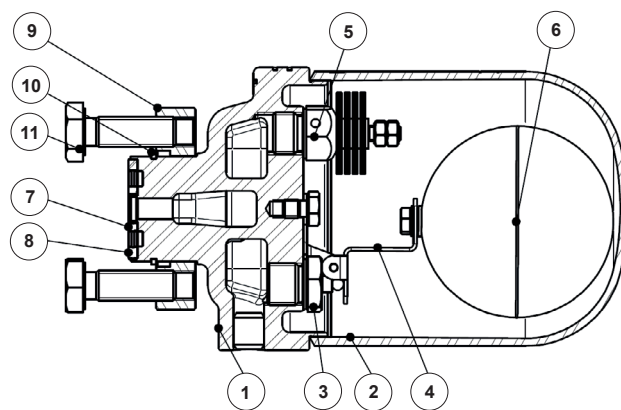
Model	A	B	øC	øD	Weight, lbs (kg)
UF800	6.46 (164)	1.38 (35)	2.64 (67)	3.70 (94)	4.6 (2.1)



MATERIALS

POS. Nr.	Designation	Material
1	Body	CF8 / 1.4308
2	Cover	AISI304 / 1.4301
3	Valve Seat	AISI410 / 1.4006
4	Valve	AISI440C / 1.4125
5	Air Vent	Bimetallic
6	Float	AISI301 / 1.4301
7	*Inlet Gasket	St. Steel / Graphite
8	*Outlet Gasket	St. Steel / Graphite
9	Flange	AISI316 / 1.4401
10	Retainer Ring	Steel
11	Bolts	ASTMA 193 Gr. B7

* Available spare parts



Neither Emerson, Emerson Automation Solutions, nor any of their affiliated entities assumes responsibility for the selection, use or maintenance of any product. Responsibility for proper selection, use, and maintenance of any product remains solely with the purchaser and end user.

Yarway is a mark owned by one of the companies in the Emerson Automation Solutions business unit of Emerson Electric Co. Emerson Automation Solutions, Emerson and the Emerson logo are trademarks and service marks of Emerson Electric Co. All other marks are the property of their respective owners.

The contents of this publication are presented for informational purposes only, and while every effort has been made to ensure their accuracy, they are not to be construed as warranties or guarantees, express or implied, regarding the products or services described herein or their use or applicability. All sales are governed by our terms and conditions, which are available upon request. We reserve the right to modify or improve the designs or specifications of such products at any time without notice.

Emerson.com/FinalControl