

Spool Valve

Mechanically Operated G 1/4

Series 551
3/2 - 5/2 - 5/3

Specifications

Fluid: air or neutral gas, filtered, lubricated or not

Ports: G 1/4

Pressure: 0 to 10 bar

Temperature: -25°C to +60°C

Flow (qv at 6 bar): see table below

Construction

Series 551

Environmentally-protected construction

Body G 1/4, treated aluminium

Internal parts: zinc diecasting, steel, stainless steel, acetal (POM)

Sealings: nitrile (NBR) and polyurethane (PUR)



Choice of Equipment

Function	Symbol function	Lever Operated		Flow at 6 bar L/min ANR	Codes	
		Operators				
		Pilot	Return			
3/2		Lever - Lever detented		860	55102088	
		Lever	Spring		55102089	
5/2		Lever - Lever detented			760	55102092
		Lever	Spring			55102093
5/3 closed position (W1)		Lever 3 positions detented		760	55102096	
		Lever 3 positions - Spring to center			55102097	
5/3 open position to exhaust (W3)		Lever 3 positions detented			55102098	
		Lever 3 positions - Spring to center			55102099	

Spool Valve

Mechanically Operated G 1/4

Series 551
3/2 - 5/2 - 5/3

Choice of Equipment

Pedal Operated					
Function	Symbol function	Operators		Flow at 6ar L/min ANR	Codes
		Pilot	Return		
3/2		Pedal 2 positions		860	55102090
		Pedal	Spring		55102091
5/2		Pedal 2 positions			55102094
		Pedal	Spring		55102095
Button Operated					
Function	Symbol function	Operators		Flow at 6ar L/min ANR	Codes
		Pilot	Return		
3/2		Button Push-Pull		860	55102083
		Button	Spring		55102082
5/2		Button Push-Pull			55102086
		Button	Spring		55102085
Roller Operated					
Function	Symbol function	Operators		Flow at 6ar L/min ANR	Codes
		Pilot	Return		
3/2		Roller	Spring	860	55102084
5/2		Roller	Spring		55102087

Spool Valve

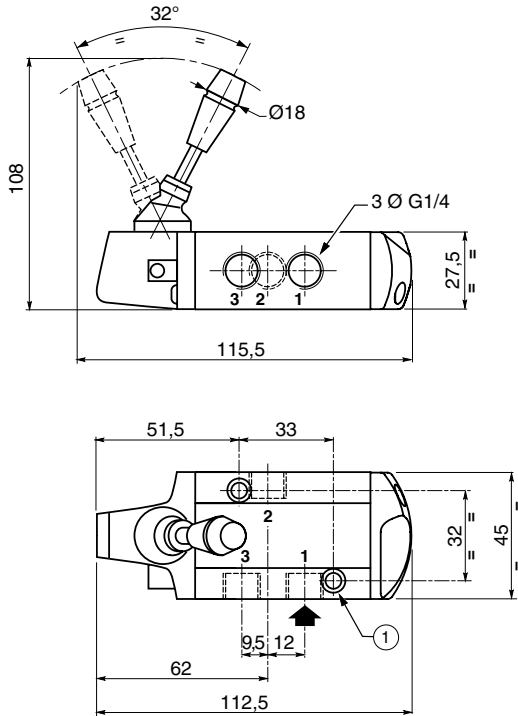
Mechanically Operated G 1/4

Series 551
3/2

Dimensions and weights

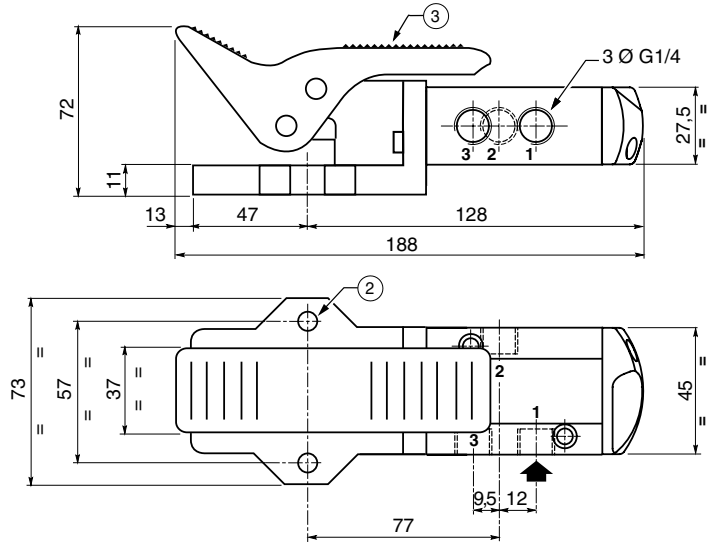
Valve Lever Operated

Weight: 0,360 kg



Valve Pedal Operated

Weight: 0,515 kg

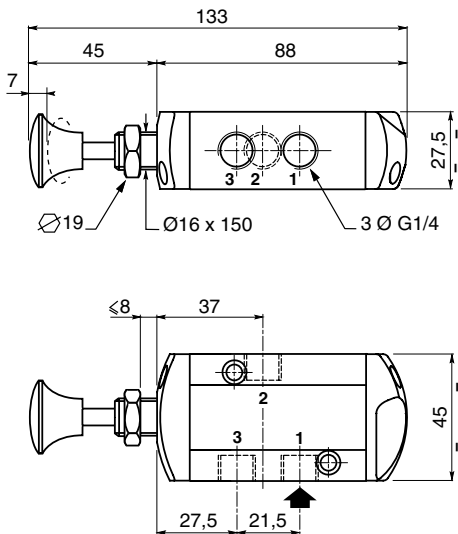


- ① 2 fixing holes : Ø 5,3 - counterbore : Ø 9, dept 5
- ② 2 fixing holes : Ø 8,5
- ③ Return pedal 2 positions

Button

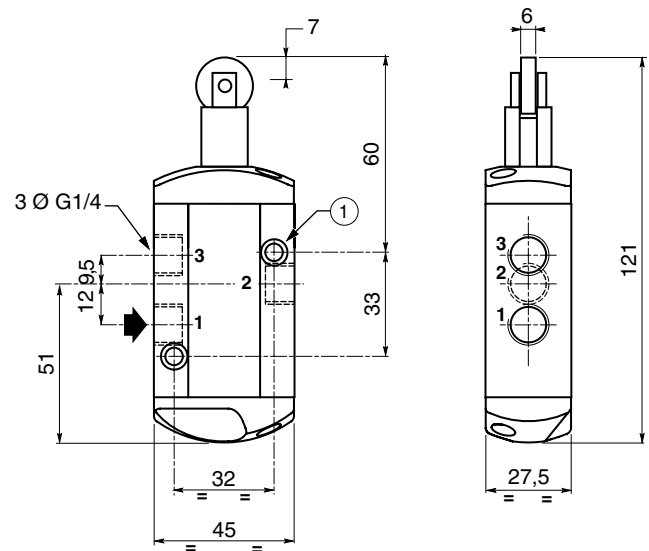
Button Push-Pull

Weight: 0,230 kg



Roller

Weight: 0,250 kg



- ① 2 fixing holes: Ø 5,3 - counterbore : Ø 9, dept 5

Spool Valve

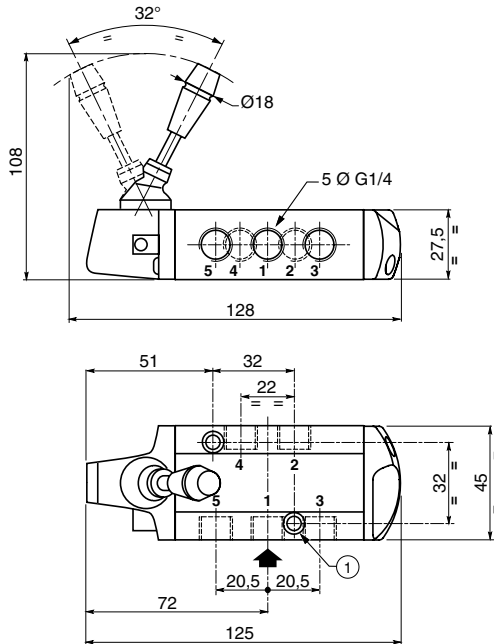
Mechanically Operated G 1/4

Series 551
5/2

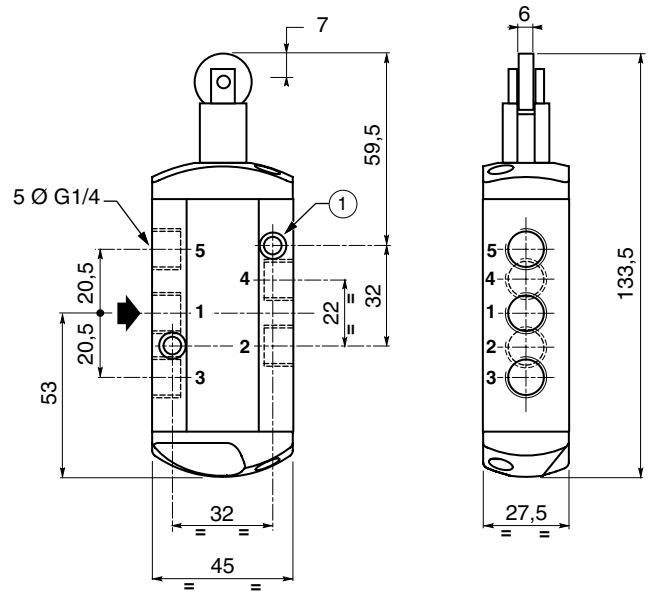
Dimensions and weights

Valve Lever Operated

Series 551: ports G 1/4 / Weight: 0,390 kg



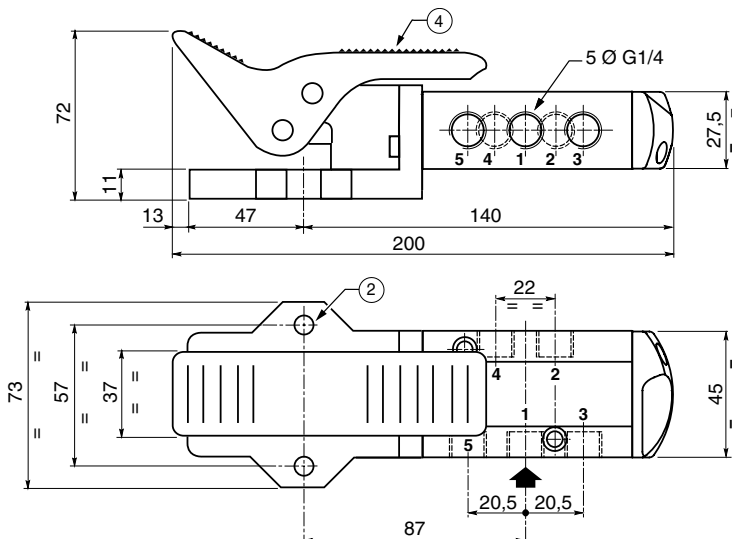
Weight: 0,285 kg



- ① 2 fixing holes: \varnothing 5,3 - counterbore : \varnothing 9, depth 5
- ② 2 fixing holes: \varnothing 8,5
- ③ 4 fixing holes: \varnothing 5,5
- ④ Return pedal 2 positions

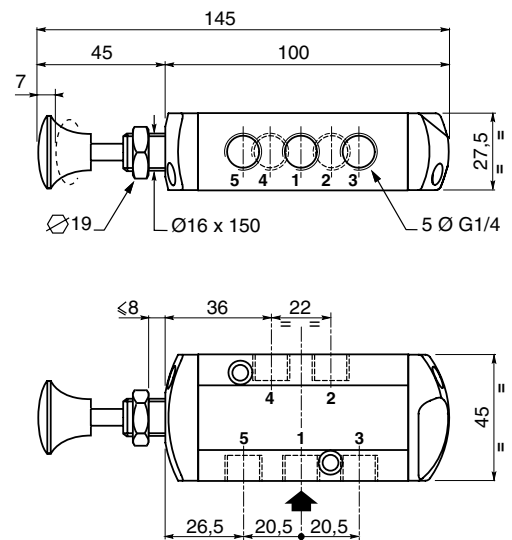
Valve Pedal Operated

Series 551: ports G 1/4 / Weight: 0,545 kg



Button, Button Push-Pull

Series 551: ports G 1/4 / Weight: 0,265 Kg



Spool Valve

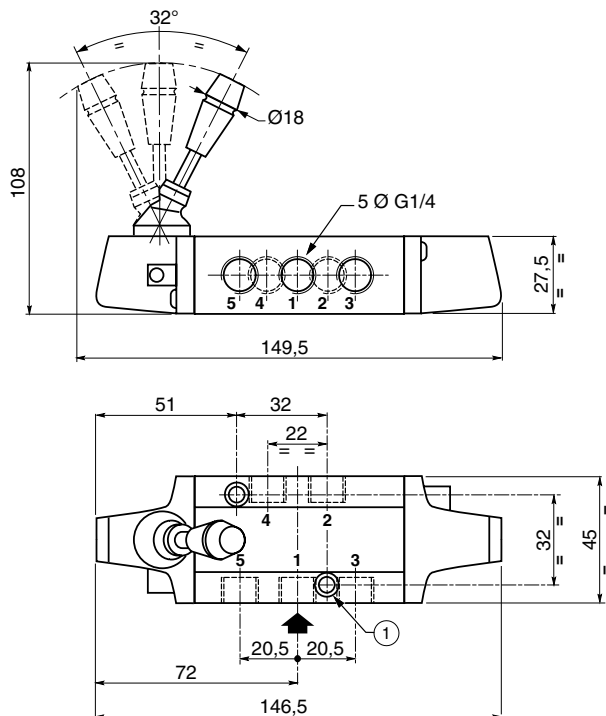
Mechanically Operated G 1/4

Series 551
5/3

Dimensions and weights

Valve Lever Operated

Series 551: ports G 1/4 / Weight: 0,510 kg



① 2 fixing holes: Ø 5,3 - counterbore : Ø 9, dept 5

② 4 fixing holes: Ø 5,5