

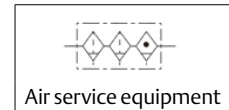
ASCO™ Tri Stage Filter

Stainless Steel 316L

High Flow 1/4" Manual Drain & Auto Drain

Features

- Highly effective removal of particles, moisture & oil aerosol from the instrument air
- Stainless steel 316L body and bowl intended for corrosive environment
- All internal metal parts and particulate filters are made of 316 / 316L stainless steel
- Metallic parts meet the requirements of NACE specification MR0175/ISO 15156-3
- Corrosion resistant borosilicate coalescing filter element and built in lifespan indicator which turns to red when filter element needs to be replaced
- High efficiency water, particulate and oil removal filter set using 0.01 µm coalescing filter
- Mounting bracket or panel included



Benefits

- Increases durability of downstream equipment leading to improvement in production gains
- Improves predictive maintenance with service life indicator for filter element
- Fully assembled and ready to install, reducing administration, installation and qualification time
- Longer lifespan with full stainless steel construction (external as well as internal components)
- Fully automatic drain option ensuring no manual intervention or need to switch off inlet air for moisture draining and thus ensuring maximum uptime

Characteristics

Fluids	Compressed air, neutral gas
Ports	1/4"
Threads	NPT
Pressure Range (Inlet) ⁽¹⁾	0 - 16 bar (Manual Drain) 2.5 - 11 bar (Auto Drain)
Filtering Capacity	1 st Stage: 25 µm 2 nd Stage: 5 µm 3 rd Stage: 0.01 µm
Operating Temperature ⁽²⁾	20°C to +90°C
Condensate Drain	Manual & Automatic

⁽¹⁾ Individual stage pressure to be minimum 2.5 bar for autodrain to function

⁽²⁾ Operating temperature for Automatic Drain: +0°C to +90°C

Construction

Body, Bonnet & Bowl	AISI 316L SS
Bowl Capacity	Particulate filters: 40 cm ³ Coalescing filter: 75 cm ³
Filtering Element	1 st & 2 nd Stage: AISI 316 SS 3 rd Stage: Borosilicate
Elastomers	FPM

ASCO™ Tri Stage Filter

Stainless Steel 316L
High Flow 1/4" Manual Drain & Auto Drain

Maximum Flow Value

Tri Stage Filter	
Maximum Flow Values Following ISO Standards 5782, 6358 and 6953	High Flow Filter (1/4" NPT) Basic Version
Inlet pressure = 6.3 bar & ΔP = 1 bar	900 Litres Per Minute (ANR)



Auto Drain					
Max. Inlet Pressure	Operating Pressure	Operating Temp.	Metal Parts	Elastomers	Float
11 bar	2.5 - 11 bar	0°C to +90°C	316L SS	FPM	PP material

Contact factory for any special drain adaption



Pressure Gauge				
Pressure	Diameter	Gauge Port	Material	Part Number
0 - 12 bar	Ø 63 mm	1/4" NPT	316 SS	C325316



Visual Indicator				
Pressure	Diameter	Gauge Port	Material	Part Number
0 - 12 bar	Ø 35 mm	1/8" F x 1/4" MNPT	316L SS	508133-005



Option	Weight (kg)
Auto Drain	0.015
Adapter for Auto Drain	0.020
Pressure Gauge	0.164

Product Code

Drain Type	Ordering Code
Manual Drain	X34253356500100
Auto Drain	X34253356500200

Installation

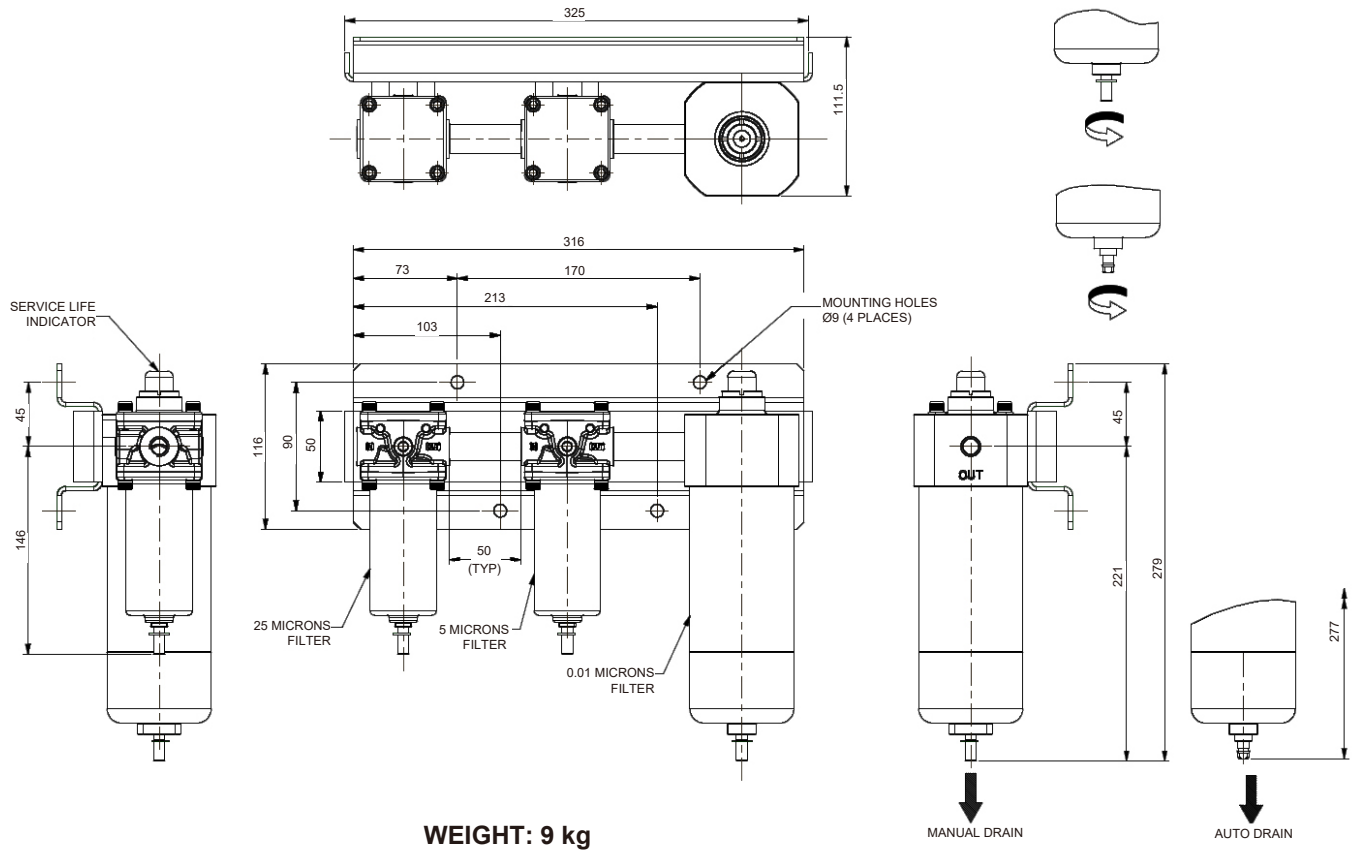
- Installation / Maintenance instructions are included with each filter
- Air flow direction indicated by IN/OUT as well as inlet & outlet indicators
- Pipe connection has standard thread according to NPT (ANSI 1.20.3)

ASCO™ Tri Stage Filter

Stainless Steel 316L

High Flow 1/4" Manual Drain & Auto Drain

DIMENSIONS (mm), WEIGHT(kg)



Spare Parts Kits

Size	Type	Manual Drain	Auto Drain
1/4"	Service Kit	C326382	C326383

Pressure Drop Vs. Air Flow Curves

Tri Stage Filter 1/4" NPT Ref: X34253356500100
 Filtration 25 µm, 5 µm, 0.01 µm, manual drain, P inlet 4 - 6.3 - 8 - 10 bar

