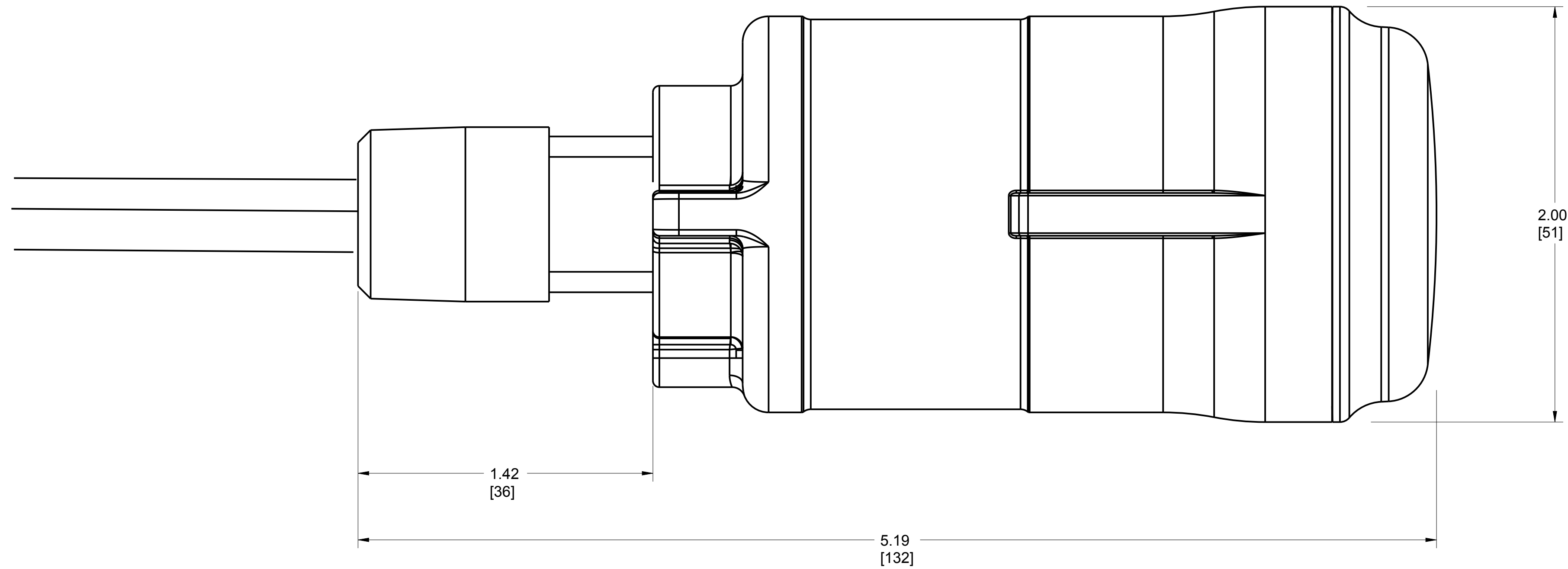


ROSEMOUNT 775 SMART WIRELESS THUM ADAPTER

REVISION TABLE			
REVISION	ECO NO.	APP'D	DATE
AC	RTC1060016	JV	4/16/14
DESCRIPTION			
Release to Pro			

THUM ADAPTER 1/2 NPT

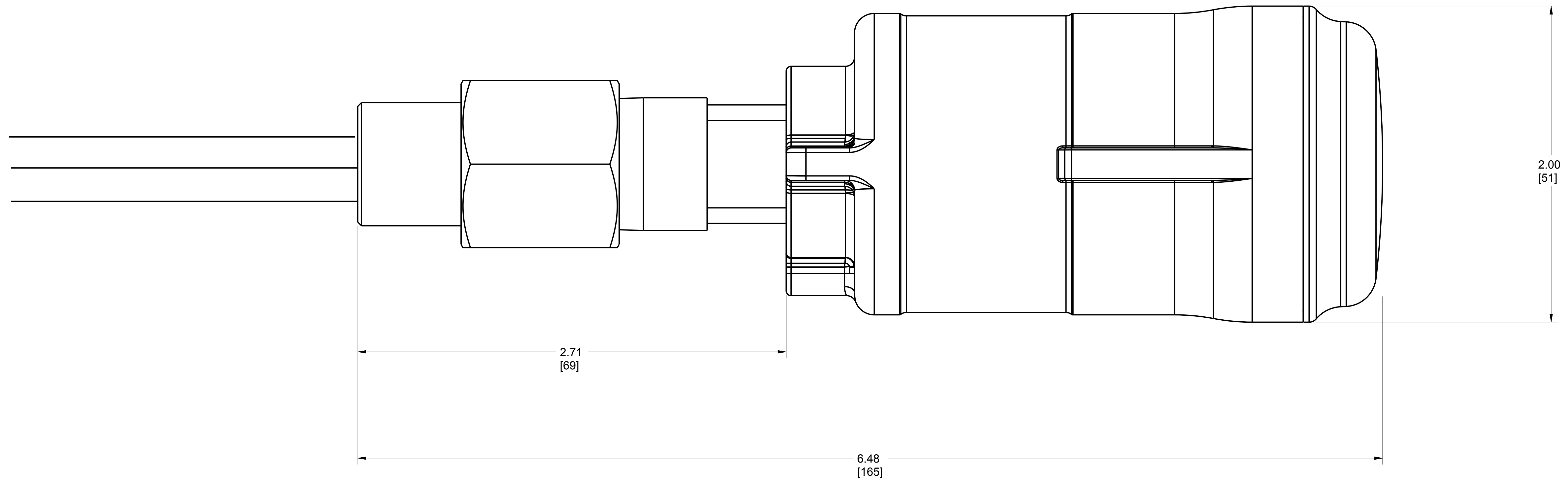


<small>UNLESS OTHERWISE SPECIFIED DIMENSIONS AND TOLERANCES GOVERN OVER ALL OTHERS. INFORMATION IS CONTAINED HEREIN AND MUST BE HANDLED ACCORDINGLY. EMERSON</small>	CUSTOMER	***	3RD ANGLE	SIZE	SCALE	REV
	CUSTOMER DWG NO.	***		D	1/1	AC
	P.O. No.	***				
	S.O. No.	***				
PROJECT NAME	DR.	JLA	4/16/14	DRAWING NO.		
	APP'D	J. VANDERAA	4/16/14	00775-7000		
DO NOT SCALE PRINT	CAD MAINTAINED, (PRO/E)	PRODUCT CODE	-	DOC TYPE	D	SHEET 1 OF 3

DRAWING NO. 00775-7000 TAG NO. GAL

ROSEMOUNT 775 SMART WIRELESS THUM ADAPTER

THUM ADAPTER M20 CONDUIT ADAPTER

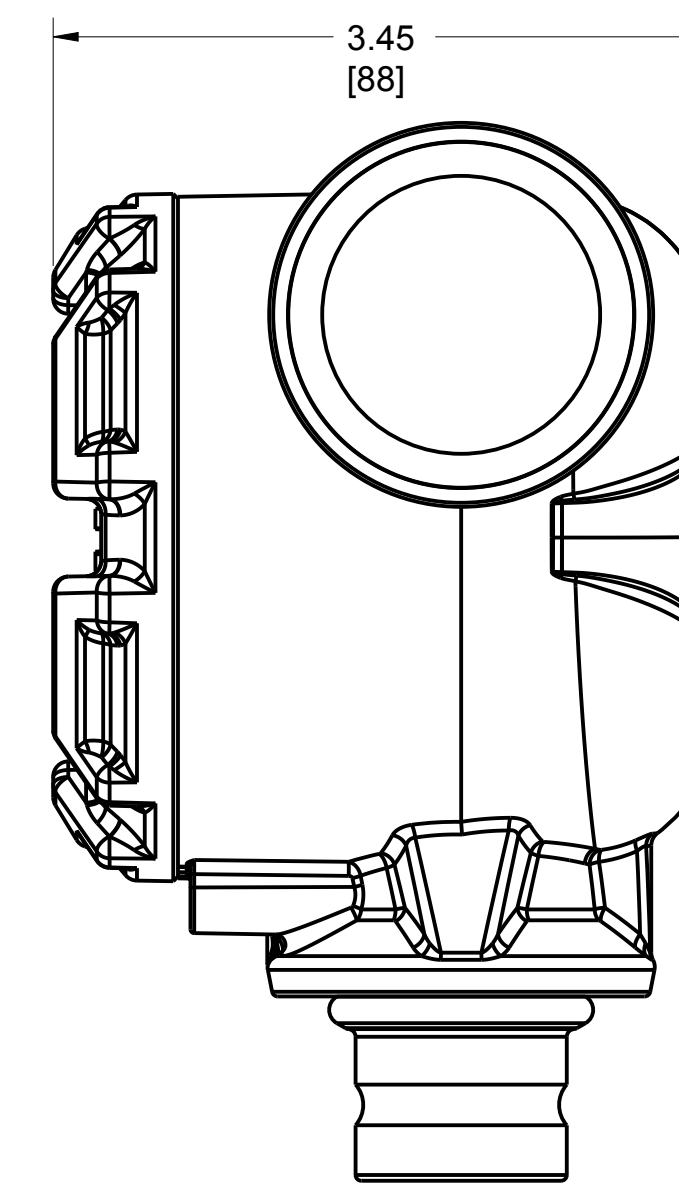
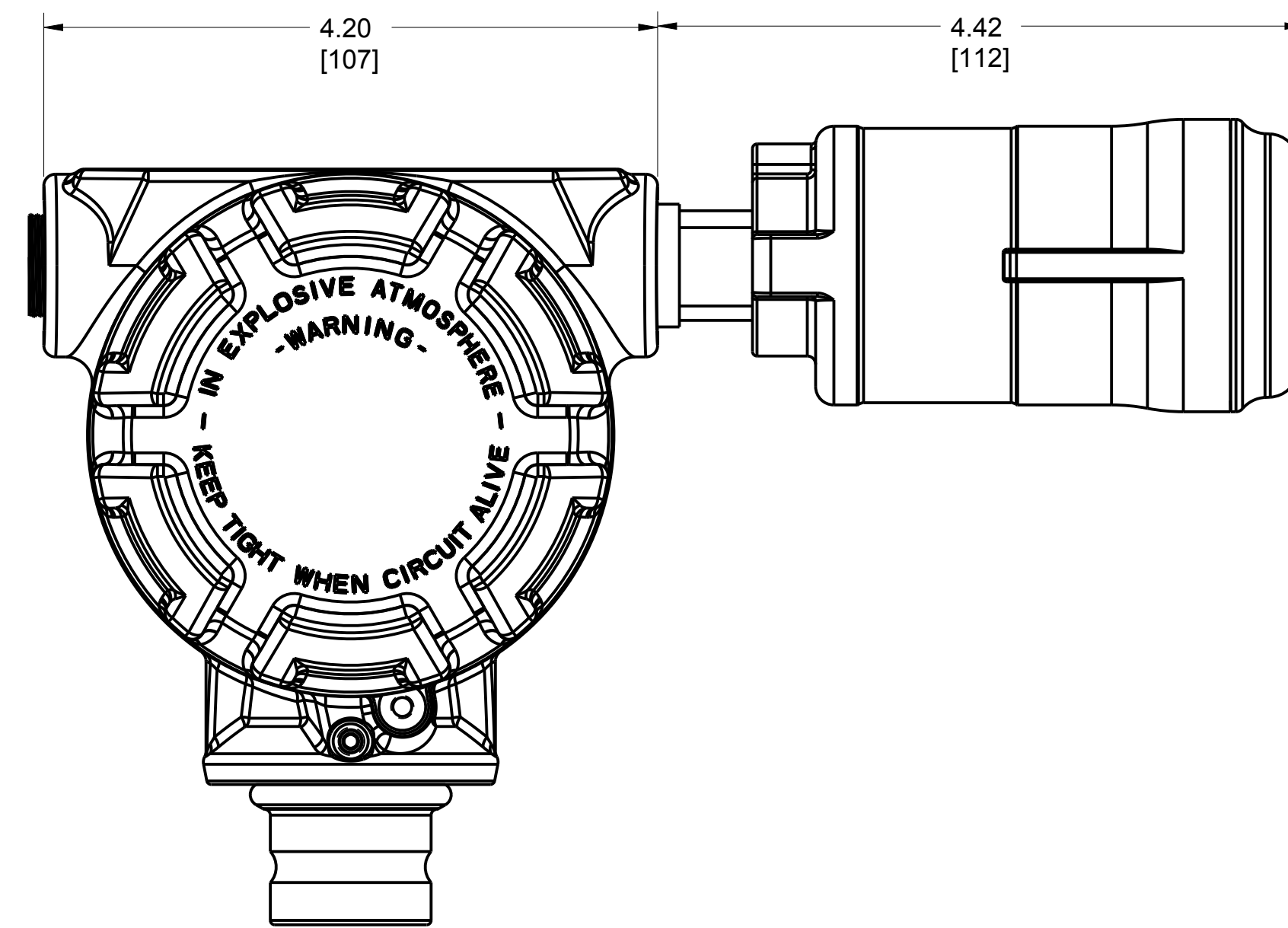


<small>UNLESS OTHERWISE SPECIFIED DIMENSIONS AND DECIMALS CONVERSIONS AND UNITS ARE INFORMATION IS CONTAINED HEREIN AND MUST BE HANDLED ACCORDINGLY. EMERSON</small>	CUSTOMER	***	3RD ANGLE		SIZE	SCALE	REV
	CUSTOMER DWG NO.	***	D	1/1	AC		
	P.O. No.	***					
	S.O. No.	***	TITLE 775 SMART WIRELESS THUM ADAPTER				
PROJECT NAME	DR.	JLA	4/16/14	DRAWING NO.			
	APP'D	J. VANDERAA	4/16/14	00775-7000			
DO NOT SCALE PRINT	CAD MAINTAINED, (PROE)	PRODUCT CODE	-	DOC TYPE	D	SHEET 2	OF 3

DRAWING NO. 00775-7000
 TAG NO. CAL.

ROSEMOUNT 775 SMART WIRELESS THUM ADAPTER

JUNCTION BOX REMOTE HOUSING AND THUM ADAPTER 1/2 NPT



<small>UNLESS OTHERWISE SPECIFIED DIMENSIONS AND TOLERANCES CONTAINED HEREIN ARE IN INCHES AND MUST BE HANDLED ACCORDINGLY. EMERSON</small>	CUSTOMER	***	3RD ANGLE		SIZE	SCALE	REV
	CUSTOMER DWG NO.	***			D	1/1	AC
	P.O. No.	***					
	S.O. No.	***	TITLE 775 SMART WIRELESS THUM ADAPTER				
PROJECT NAME	DR.	JLA	4/16/14	DRAWING NO.			
	APP'D	J. VANDERAA	4/16/14		00775-7000		
DO NOT SCALE PRINT	CAD MAINTAINED, (PRO/E)	PRODUCT CODE		DOC TYPE	D	SHEET 3	OF 3

DRAWING NO. 00775-7000
 TAG NO. CAL.