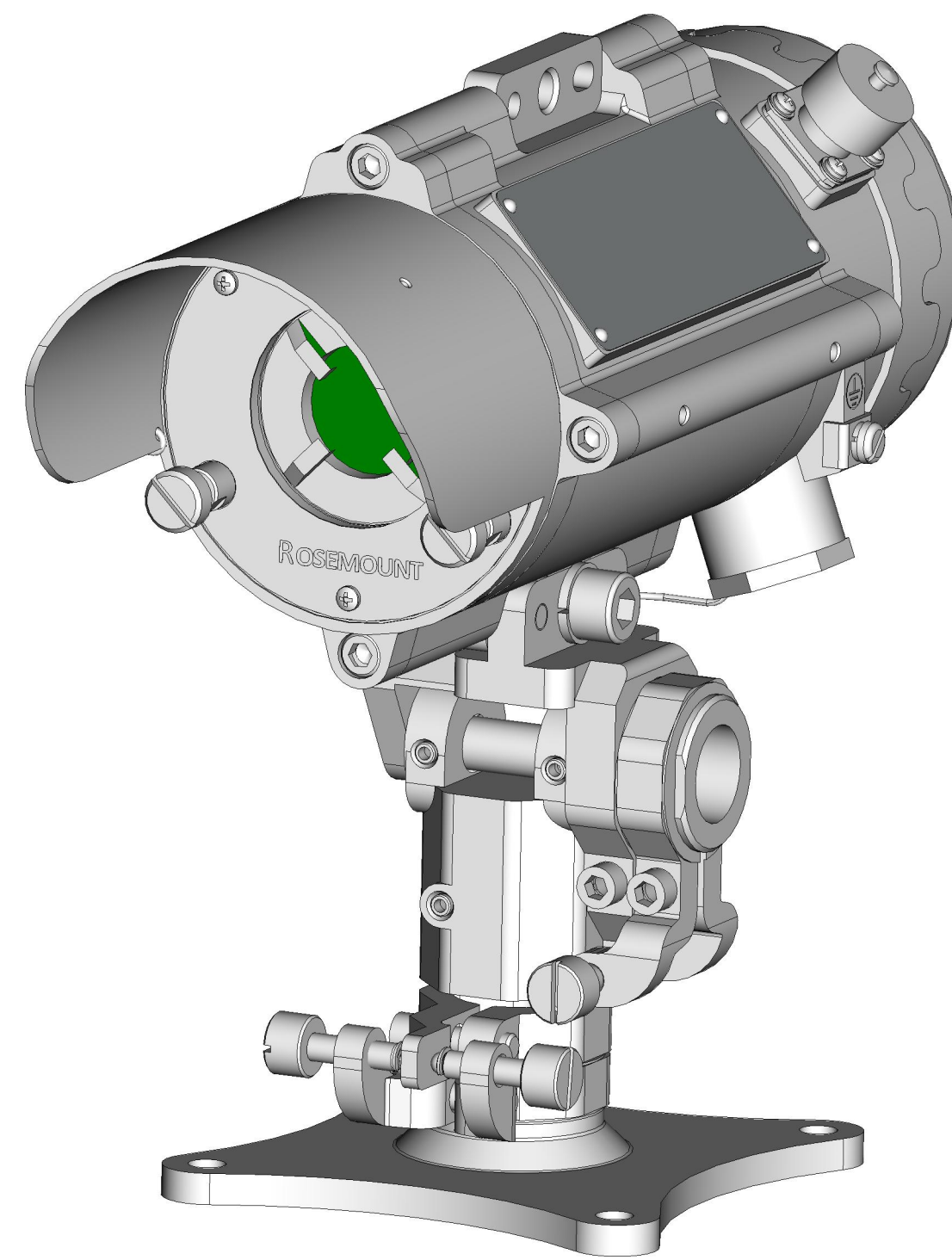
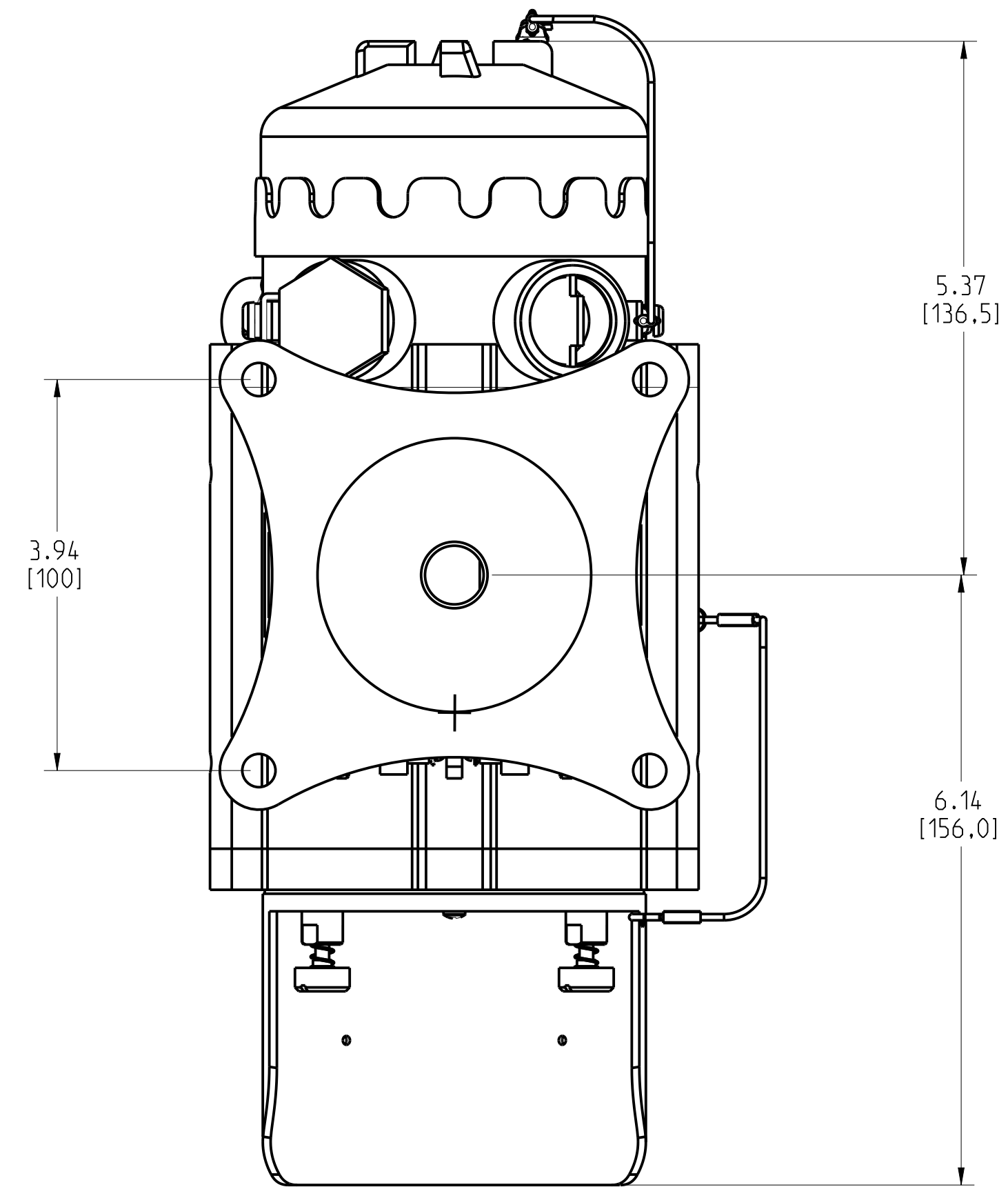
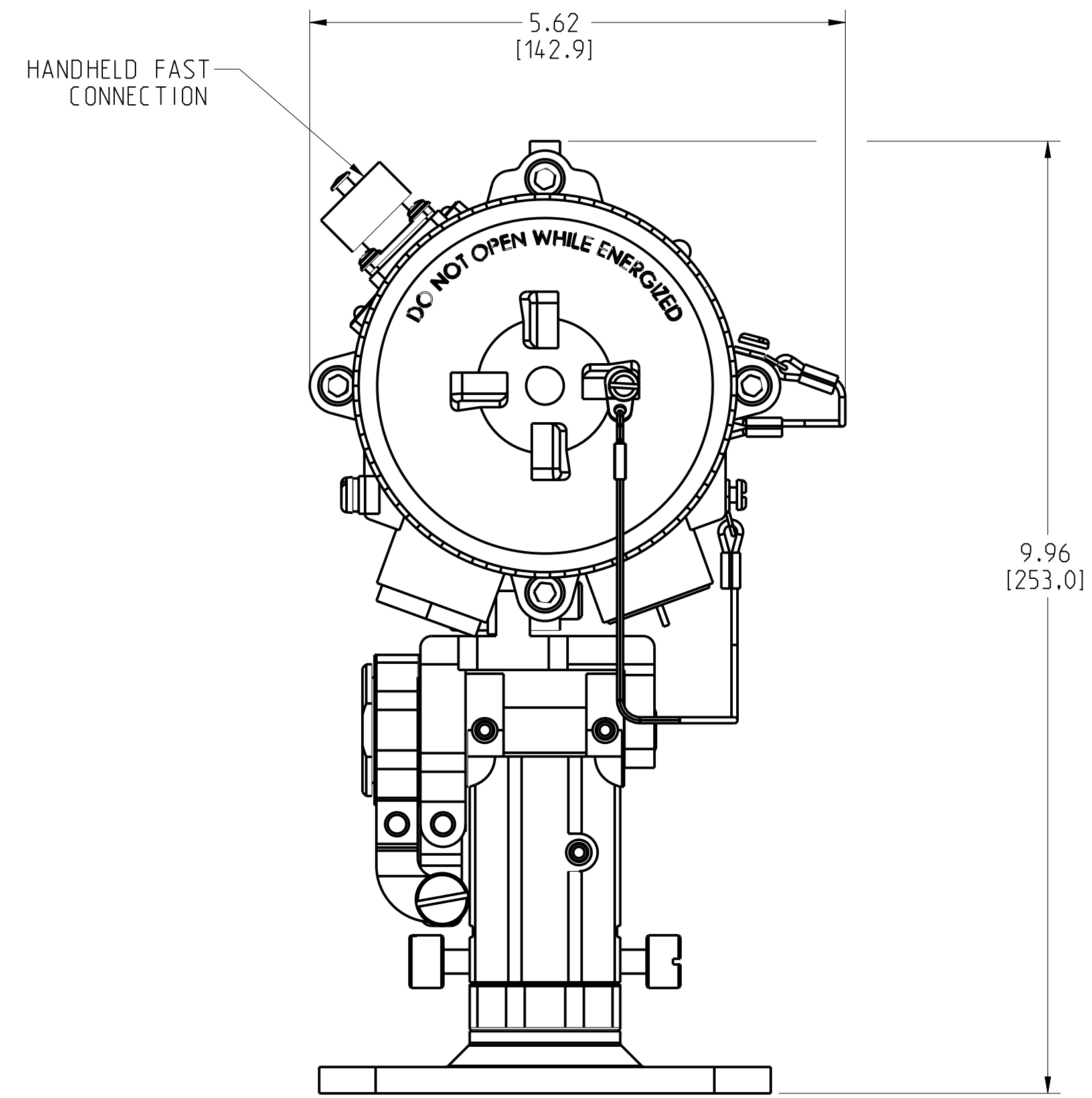
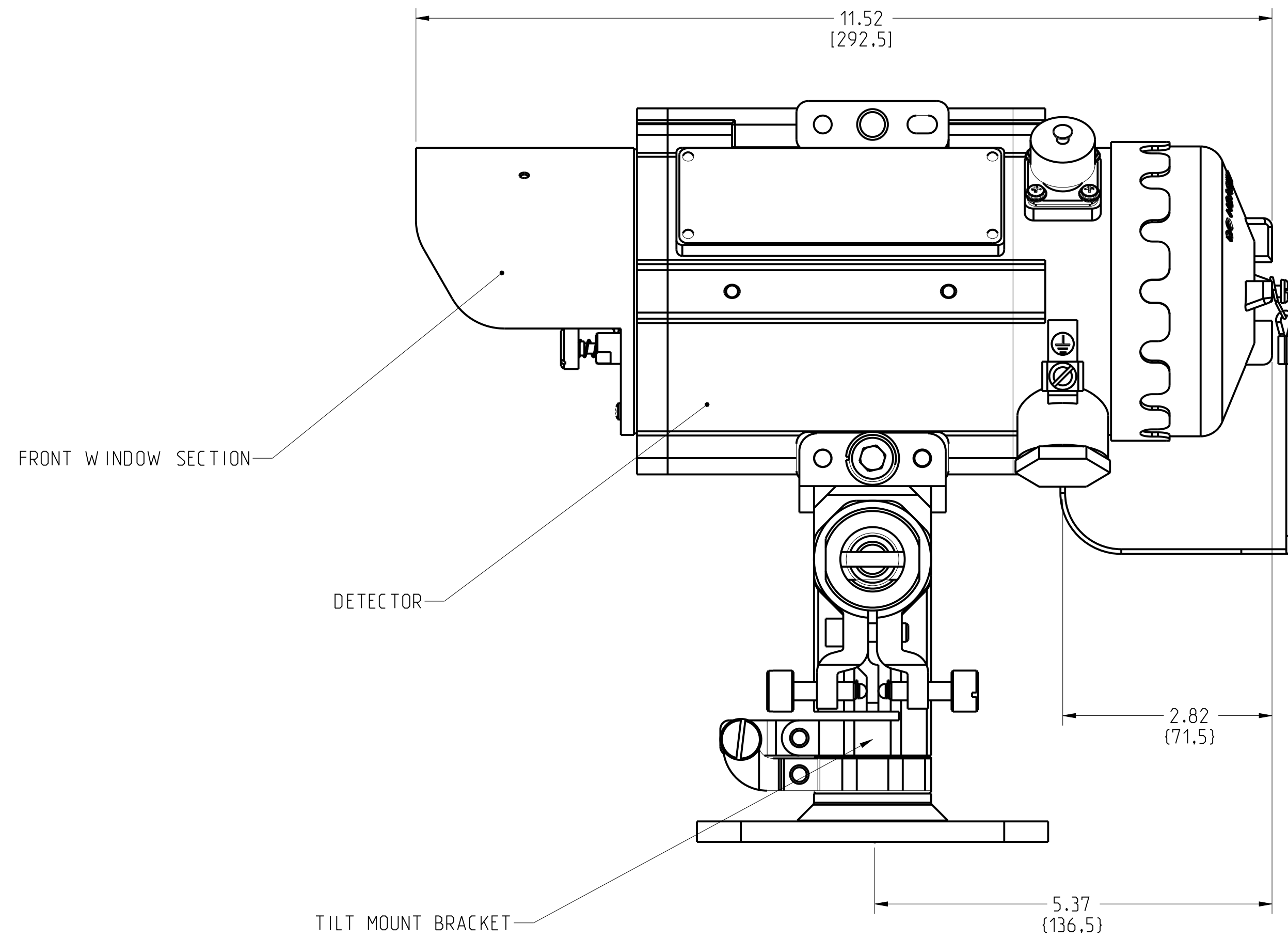


MODEL 935/936 OPEN PATH GAS DETECTOR AND TILT MOUNT ASSEMBLY
 DETECTOR UNIT

REVISION TABLE			
REVISION	ECO NO.	APP'D	DATE
AA	RTC	F. FRANCIS	7/14/21
DESCRIPTION			
NEW RELEASE			



©2015 ROSEMOUNT, INC.
 ROSEMOUNT AND ALL OTHER
 TRADEMARKS ARE USED IN
 ACCORDANCE WITH
 ROSEMOUNT ENGINEERING
 SPECIFICATIONS.
 UNIT NOTES IN INCHES (mm).

REFERENCE ROSEMOUNT
 PRODUCT SPECIFICATIONS.
 CLICK HERE

3RD ANGLE SIZE D SCALE NTS

EMERSON

TYPE I DRAWING

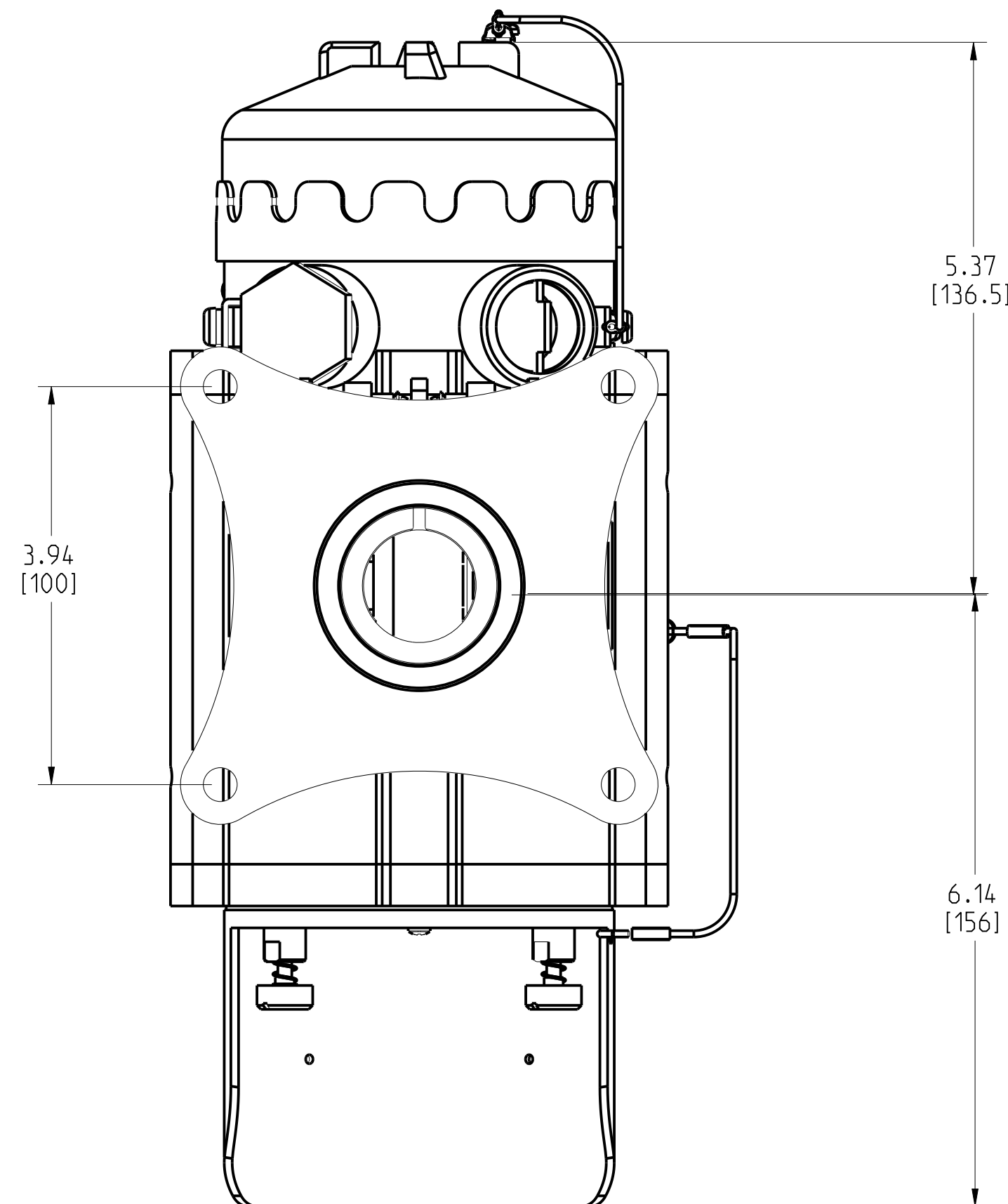
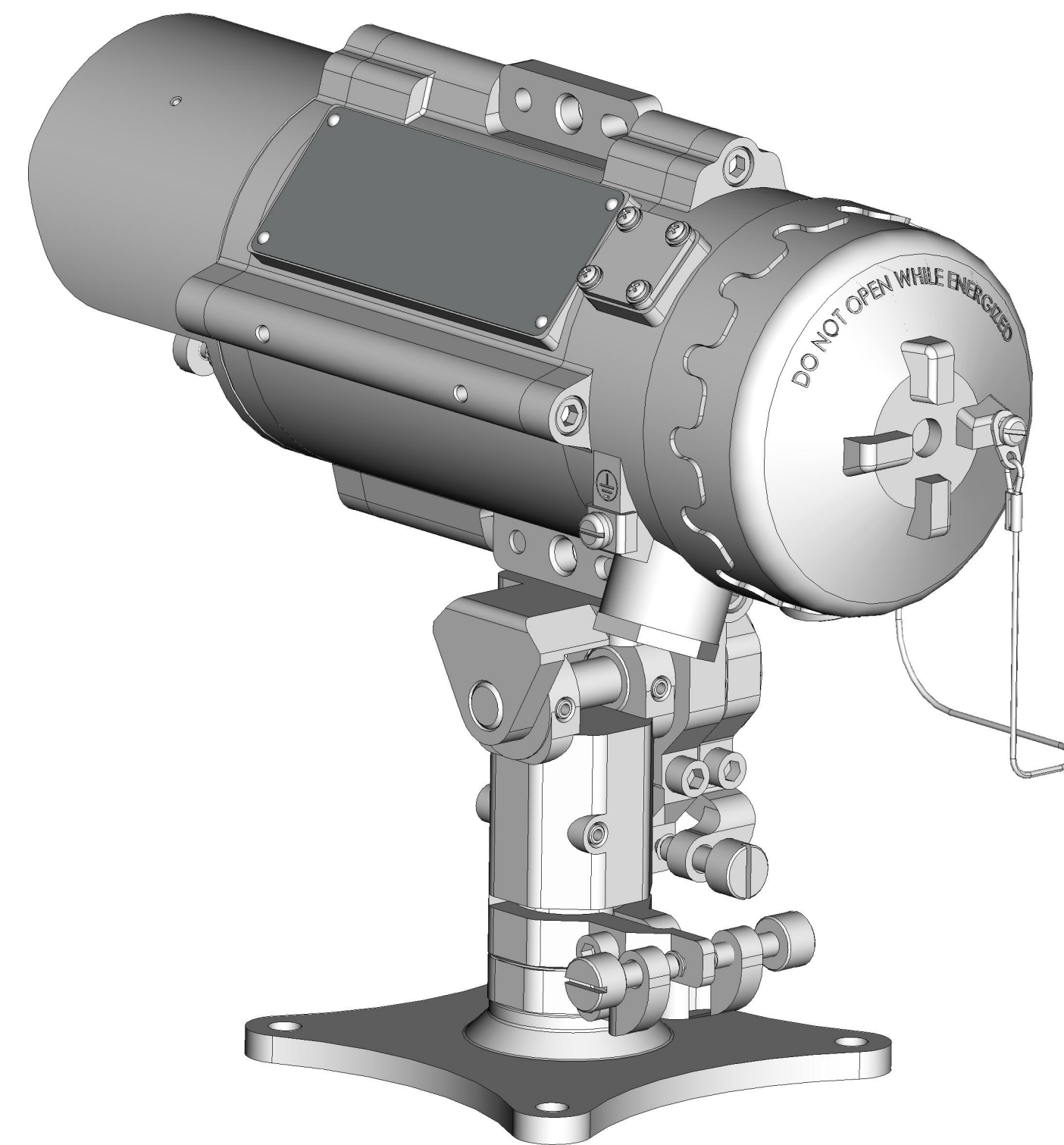
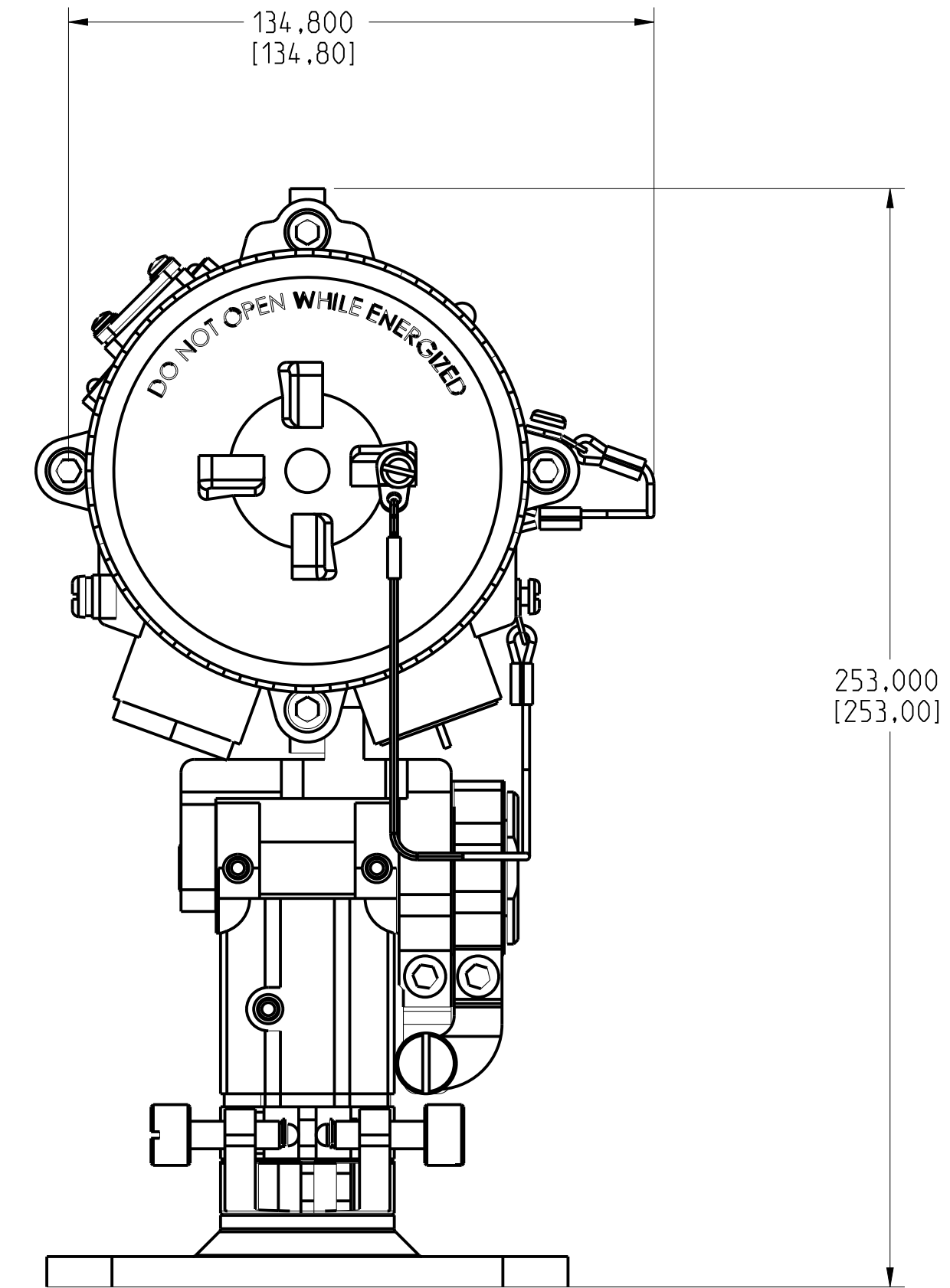
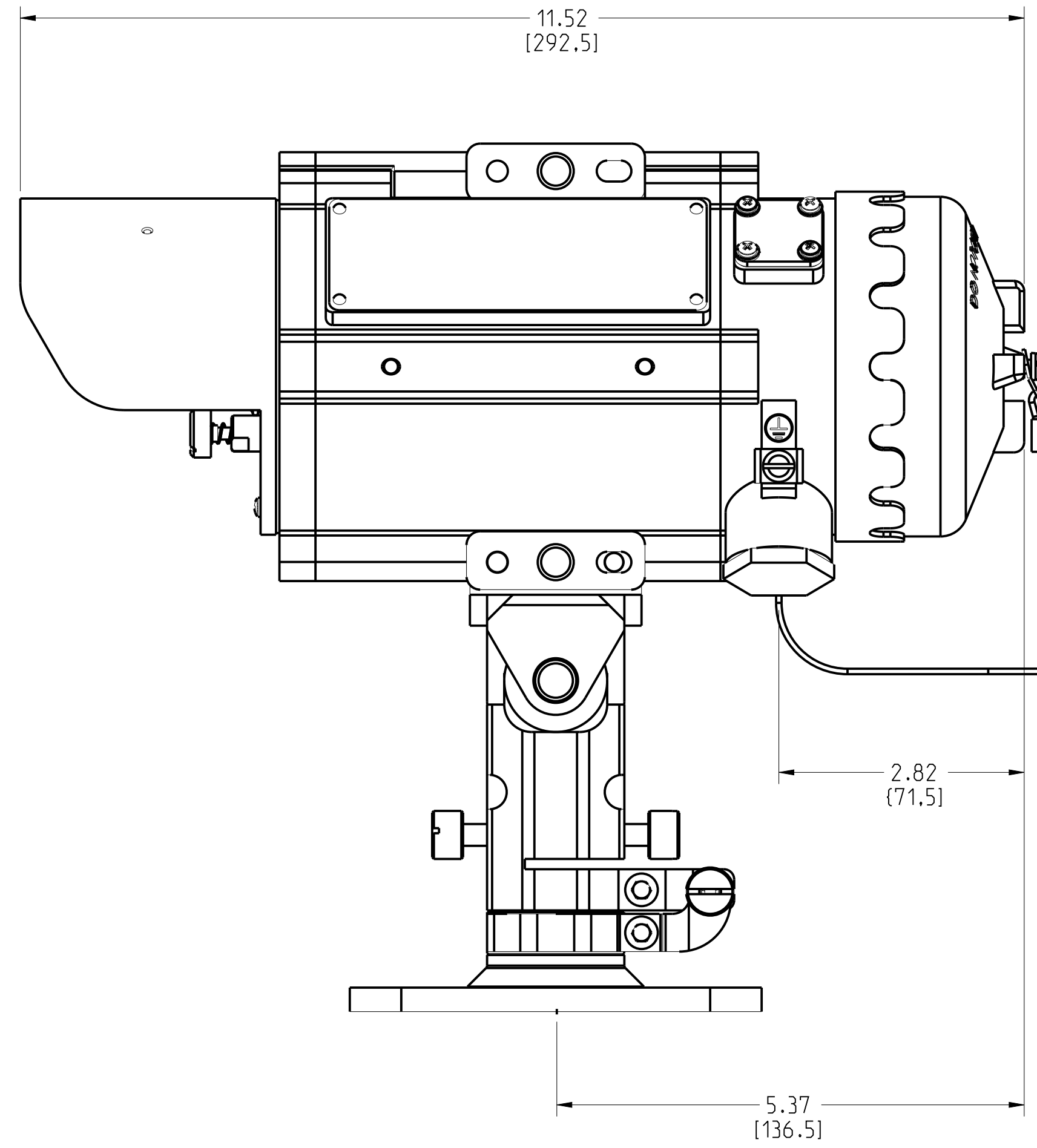
ROSEMOUNT 935/936 DETECTOR

DR. J. ARMSTRONG 7/14/21 DRAWING NO. 00935-7000

APP'D F FRANCIS 7/14/21

CAD MAINTAINED (PRO/E) SHEET 1 OF 2

MODEL 935/936 OPEN PATH GAS DETECTOR AND TILT MOUNT ASSEMBLY
FLASH SOURCE UNIT



©2015 ROSEMOUNT, INC.
ROSEMOUNT AND ALL OTHER TRADE NAMES
ARE REGISTERED TRADEMARKS OF
ROSEMOUNT ENGINEERING
SPECIFICATIONS.
UNIT NOTES IN INCHES (mm).

REFERENCE ROSEMOUNT
PRODUCT SPECIFICATIONS.
CLICK HERE

EMERSON

ROSEMOUNT 935/936 DETECTOR
TYPE I DRAWING

DR. J. ARMSTRONG 7/14/21 DRAWING NO. 00935-7000
APP'D F FRANCIS 7/14/21
CAD MAINTAINED (PRO/EI) SHEET 2 OF 2

3RD ANGLE

SIZE D SCALE NTS