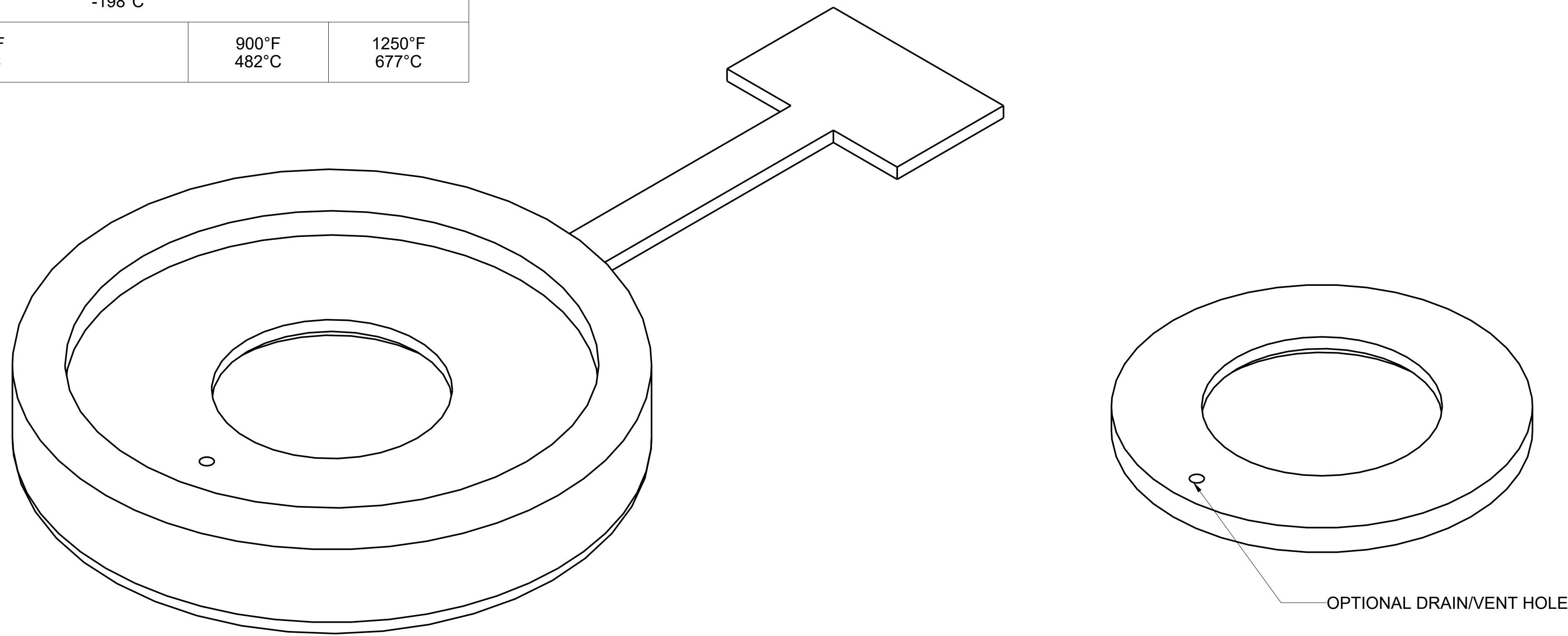


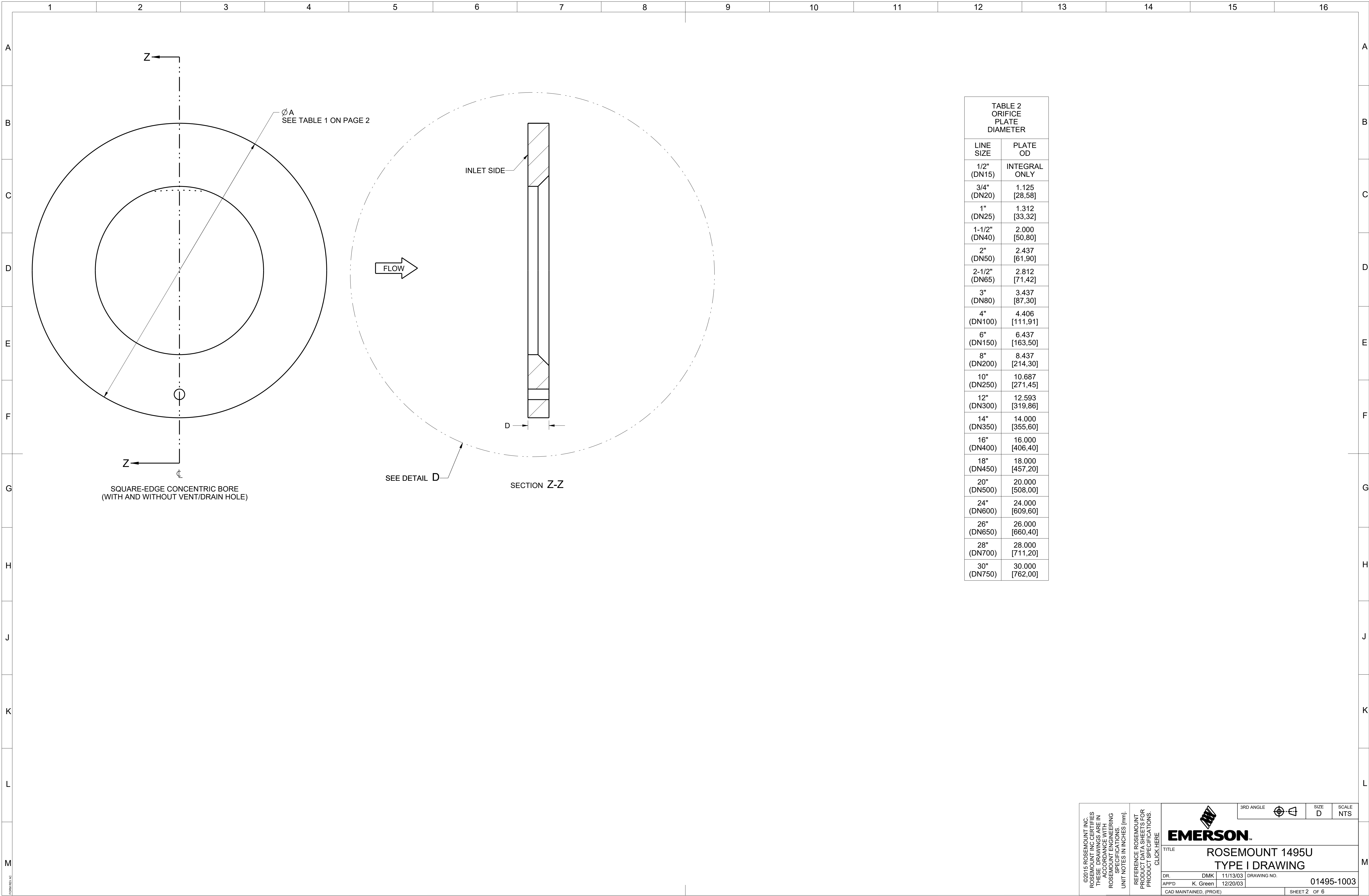
REVISION TABLE			
REVISION	ECO NO.	APP'D	DATE
AD	DSI1055304	MH	02/08/19
DESCRIPTION			
Revised note 2. Added materials table.			

TABLE 1: MATERIALS OF CONSTRUCTION						
MATERIAL DESCRIPTION						
COMPONENT	STANDARD	304/304L STAINLESS STEEL	316/316L STAINLESS STEEL	316Ti STAINLESS STEEL	ALLOY 400	ALLOY C276
ORIFICE PLATE	ASTM	A240 304/304L	A240 316/316L	A240 316Ti (S31635)	B127 N04400	B575 N10276
	EN	EN 10088-2 1.4301/1.4307	EN 10088-2 1.4401/1.4404	EN 10088-2 1.4571	N/A	N/A
RING JOIN PLATE HOLDER	ASTM	A240 OR A479 304/304L	A240 OR A479 304/304L	A240 OR A479 316Ti (S31635)	B127 OR B164 N04400	B575 OR B574 N10276
	EN	N/A	N/A	N/A	N/A	N/A
TEMPERATURE RANGE	MIN	-325°F -198°C				
	MAX	1000°F 538°C		900°F 482°C	1250°F 677°C	



- NOTES:
- ROSEMOUNT INC. CERTIFIES THIS DRAWING IS IN ACCORDANCE WITH ROSEMOUNT ENGINEERING SPECIFICATIONS AND ACCURATELY REPRESENTS THE EQUIPMENT FURNISHED.
 - ORIFICE PLATE ORIENTATION SHOWN FOR DETAIL ONLY. FOR ACTUAL RECOMMENDED LOCATION AND ORIENTATION REFER TO INSTALLATION INSTRUCTION MANUAL 00809-0100-4792 AND QUICK INSTALLATION GUIDE (QIG) 00825-0100-4792.
 - FOR MODEL SELECTIONS, MATERIALS, OPERATING LIMITS, AND OPTIONS, REFER TO ROSEMOUNT PRODUCT DATA SHEET.
 - ORIFICE FLANGES, STUDS, NUTS AND GASKETS ARE NOT INCLUDED WITH MODEL 1495 (REF. MODEL 1496).
 - IDENTIFICATION INFORMATION TO BE STAMPED ON ORIFICE PLATE AND/OR HOLDER (DEPENDING ON CONFIGURATION) PLATE HOLDERS ARE STAMPED ON THE UPSTREAM SIDE, PLATES ARE STAMPED ON THE DOWNSTREAM SIDE.
 - "INLET" OR "OUTLET"
 - MANUFACTURER'S SERIAL NUMBER
 - BORE SIZE; LINE SIZE
 - MATERIAL; HEAT NUMBER
 - FOR LINE SIZES 2" TO 24", ORIFICE PLATES MEET THE REQUIREMENTS OF:
 - AGA REPORT 3, PART 2, APRIL 2000 / API 14.3.2, 2000 / GPA 8185-00
 - ASME MFC-3M (2007)
 - ISO-5167-2 (2003)
 - THE RESTRICTION BORE (RO) DESIGN IS IDENTICAL TO THE STANDARD CONCENTRIC BORE DESIGN.
 - PLATE HOLDERS MUST BE SPECIFIED BY ORDERING THE PLATE HOLDER OPTION ('PH').

©2015 ROSEMOUNT INC. ROSEMOUNT INC. CERTIFIES THIS DRAWING IS IN ACCORDANCE WITH ROSEMOUNT ENGINEERING SPECIFICATIONS. UNIT NOTES IN INCHES (mm). REFERENCE ROSEMOUNT PRODUCT DATA SHEET OR PRODUCT SPECIFICATIONS. CLICK HERE	3RD ANGLE			SIZE D	SCALE NTS
	TITLE ROSEMOUNT 1495U TYPE I DRAWING				
	DR.	DMK	11/13/03	DRAWING NO.	
APP'D	K.Green	12/20/03			
CAD MAINTAINED, (PROE)					SHEET 1 OF 6



ØA
SEE TABLE 1 ON PAGE 2

INLET SIDE

FLOW

SECTION Z-Z

SQUARE-EDGE CONCENTRIC BORE
(WITH AND WITHOUT VENT/DRAIN HOLE)

SEE DETAIL D

TABLE 2 ORIFICE PLATE DIAMETER	
LINE SIZE	PLATE OD
1/2" (DN15)	INTEGRAL ONLY
3/4" (DN20)	1.125 [28,58]
1" (DN25)	1.312 [33,32]
1-1/2" (DN40)	2.000 [50,80]
2" (DN50)	2.437 [61,90]
2-1/2" (DN65)	2.812 [71,42]
3" (DN80)	3.437 [87,30]
4" (DN100)	4.406 [111,91]
6" (DN150)	6.437 [163,50]
8" (DN200)	8.437 [214,30]
10" (DN250)	10.687 [271,45]
12" (DN300)	12.593 [319,86]
14" (DN350)	14.000 [355,60]
16" (DN400)	16.000 [406,40]
18" (DN450)	18.000 [457,20]
20" (DN500)	20.000 [508,00]
24" (DN600)	24.000 [609,60]
26" (DN650)	26.000 [660,40]
28" (DN700)	28.000 [711,20]
30" (DN750)	30.000 [762,00]

©2015 ROSEMOUNT INC.
ROSEMOUNT INC. CERTIFIES
THIS DRAWING IS IN
ACCORDANCE WITH
ROSEMOUNT ENGINEERING
SPECIFICATIONS.
UNIT NOTES IN INCHES (mm).

REFERENCE ROSEMOUNT
PRODUCT SPECIFICATIONS.
CLICK HERE

EMERSON

TITLE
**ROSEMOUNT 1495U
TYPE I DRAWING**

DR.	DMK	11/13/03	DRAWING NO.	
APP'D	K.Green	12/20/03		01495-1003
CAD MAINTAINED, (PROE)				SHEET 2 OF 6

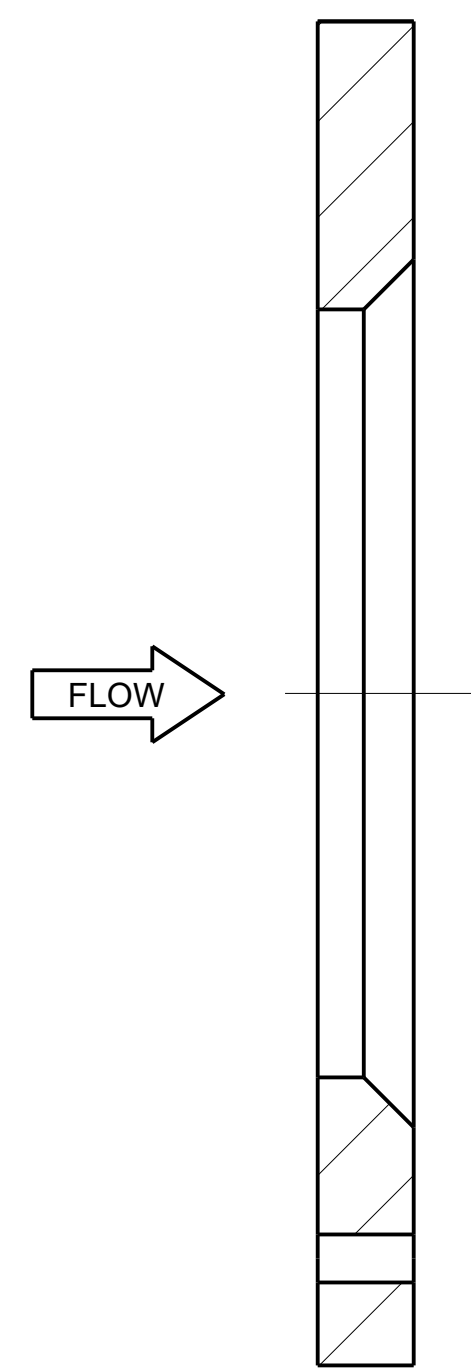
3RD ANGLE

SIZE D

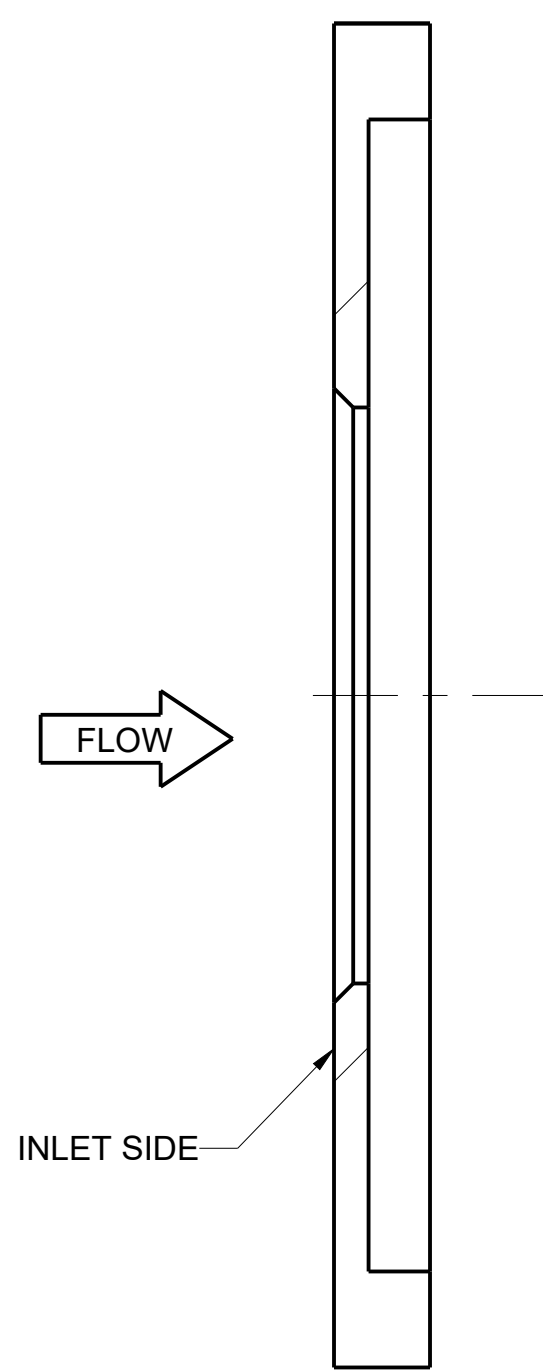
SCALE NTS

TABLE 3 CONICAL ENTRANCE BORE MAXIMUM PERMITTED BORE DIAMETER	
NOMINAL THICKNESS	MAX BORE ($\varnothing d_m$)
1/8" [3]	1.09 [27.7]
1/4" [6]	2.09 [53.1]
3/8" [10]	3.28 [83.3]
1/2" [12]	4.47 [113.5]

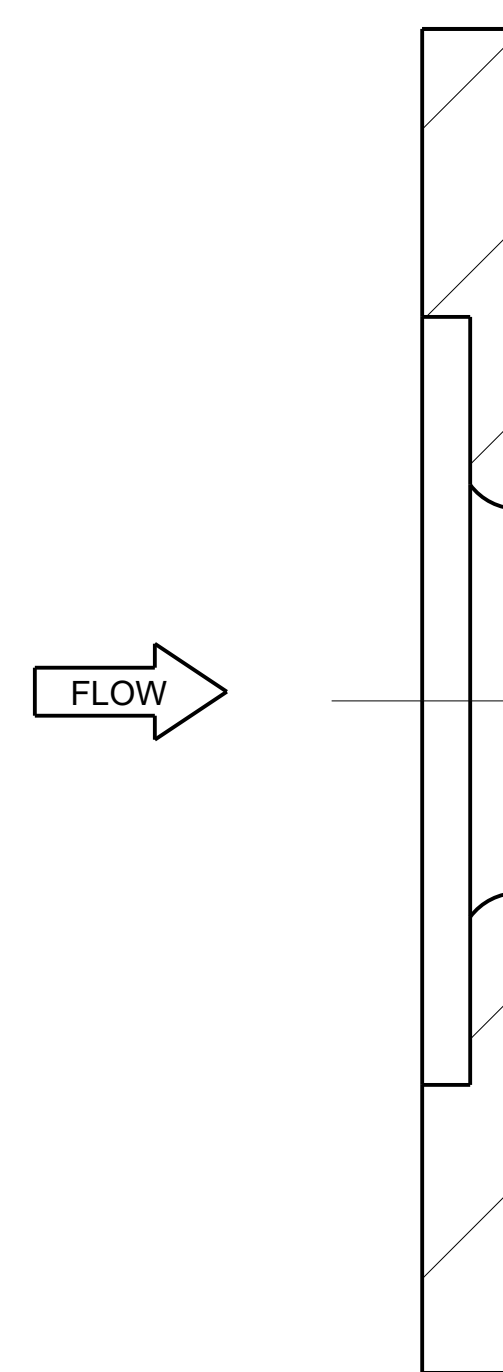
TABLE 4 1495 QUADRANT EDGE ORIFICE PLATE THICKNESS REQUIREMENTS (PER ISO/TR 15377-2007)												
BETA	ORIFICE PLATE BORE											
	0.75 [19,1]	1.00 [25,4]	1.25 [31,8]	1.50 [38,1]	1.75 [44,5]	2.00 [50,8]	2.50 [63,5]	3.00 [76,2]	3.50 [88,9]	4.00 [101,6]	4.50 [114,3]	> 4.50 [114,3]
Beta <= 0.30												
Beta <= 0.35												
Beta <= 0.40	N/A											
Beta <= 0.45		1/4" [6]	1/4" [6]	1/4" [6]	1/4" [6]							
Beta <= 0.50						3/8" [10]	3/8" [10]					
Beta <= 0.55	1/8" [3]							1/2" [12]	1/2" [12]		n/a	
Beta <= 0.60	1/4" [6]		3/8" [10]	3/8" [10]		1/2" [12]		n/a	n/a	n/a	n/a	



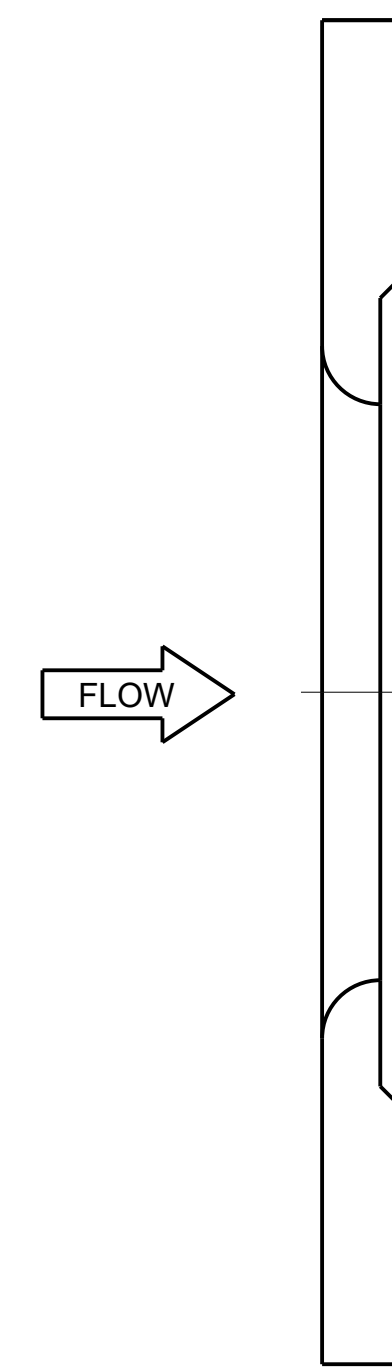
CONCENTRIC
SQUARE-EDGED
BORE DETAIL



CONICAL ENTRANCE
BORE DETAIL



QUADRANT EDGE
BORE DETAIL FOR
BETA > 0.571

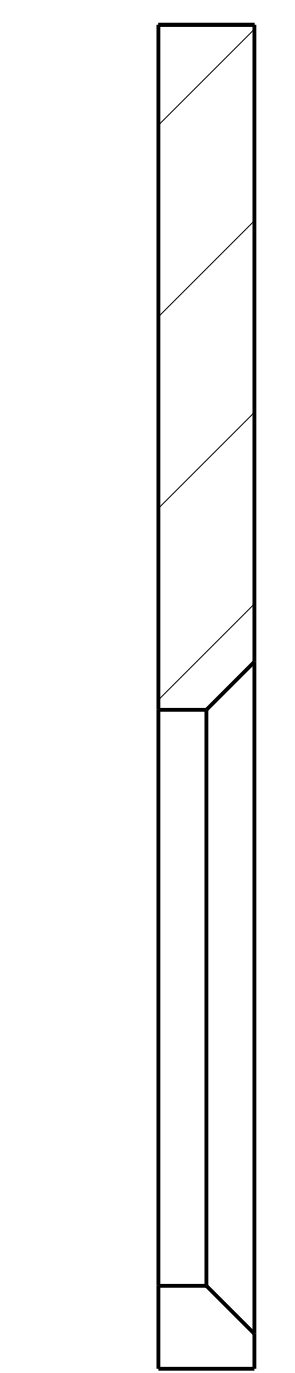
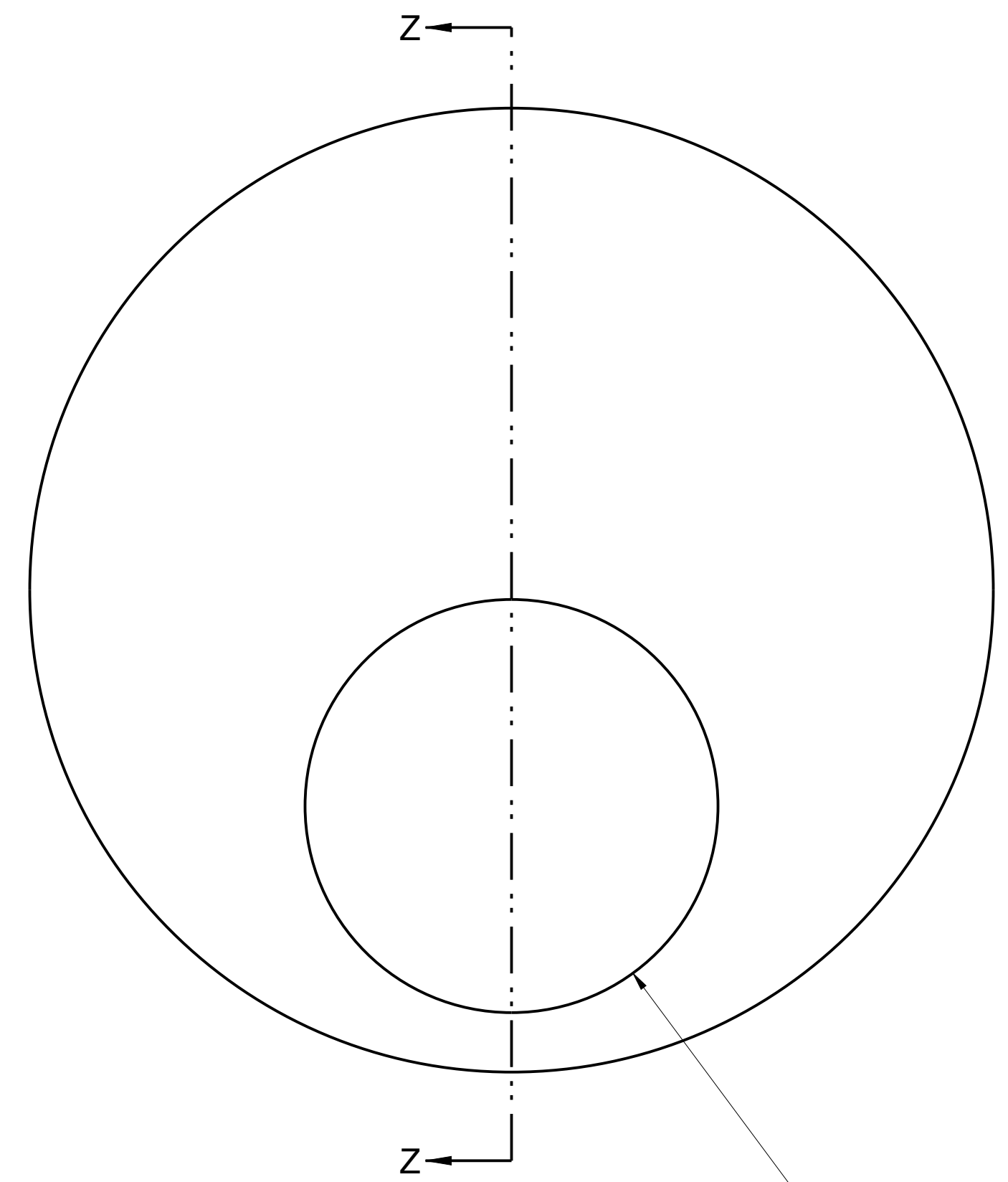


QUADRANT EDGE
BORE DETAIL FOR
BETA <= 0.571

©2015 ROSEMOUNT INC. ROSEMOUNT INC. CERTIFIES THIS DRAWING IS IN ACCORDANCE WITH ROSEMOUNT ENGINEERING SPECIFICATIONS. UNIT NOTES IN INCHES (mm). REFERENCE ROSEMOUNT PRODUCT SPECIFICATIONS. CLICK HERE			3RD ANGLE		SIZE D	SCALE NTS
	ROSEMOUNT 1495U TYPE I DRAWING					
	DR.	DMK	11/13/03	DRAWING NO.		01495-1003
	APPD	K.Green	12/20/03			
CAD MAINTAINED, (PROE)						SHEET 3 OF 6

1 2 3 4 5 6 7 8 9 10 11 12 13 14 15 16

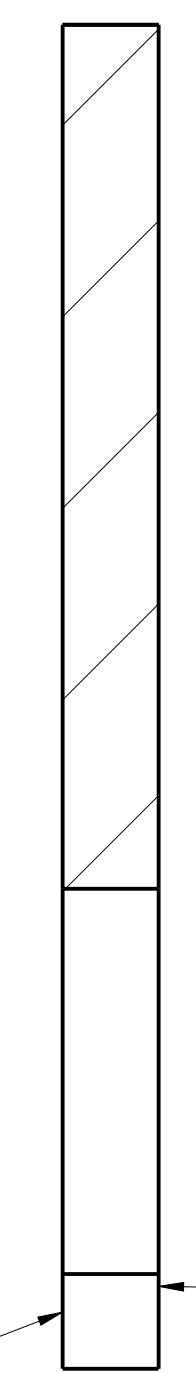
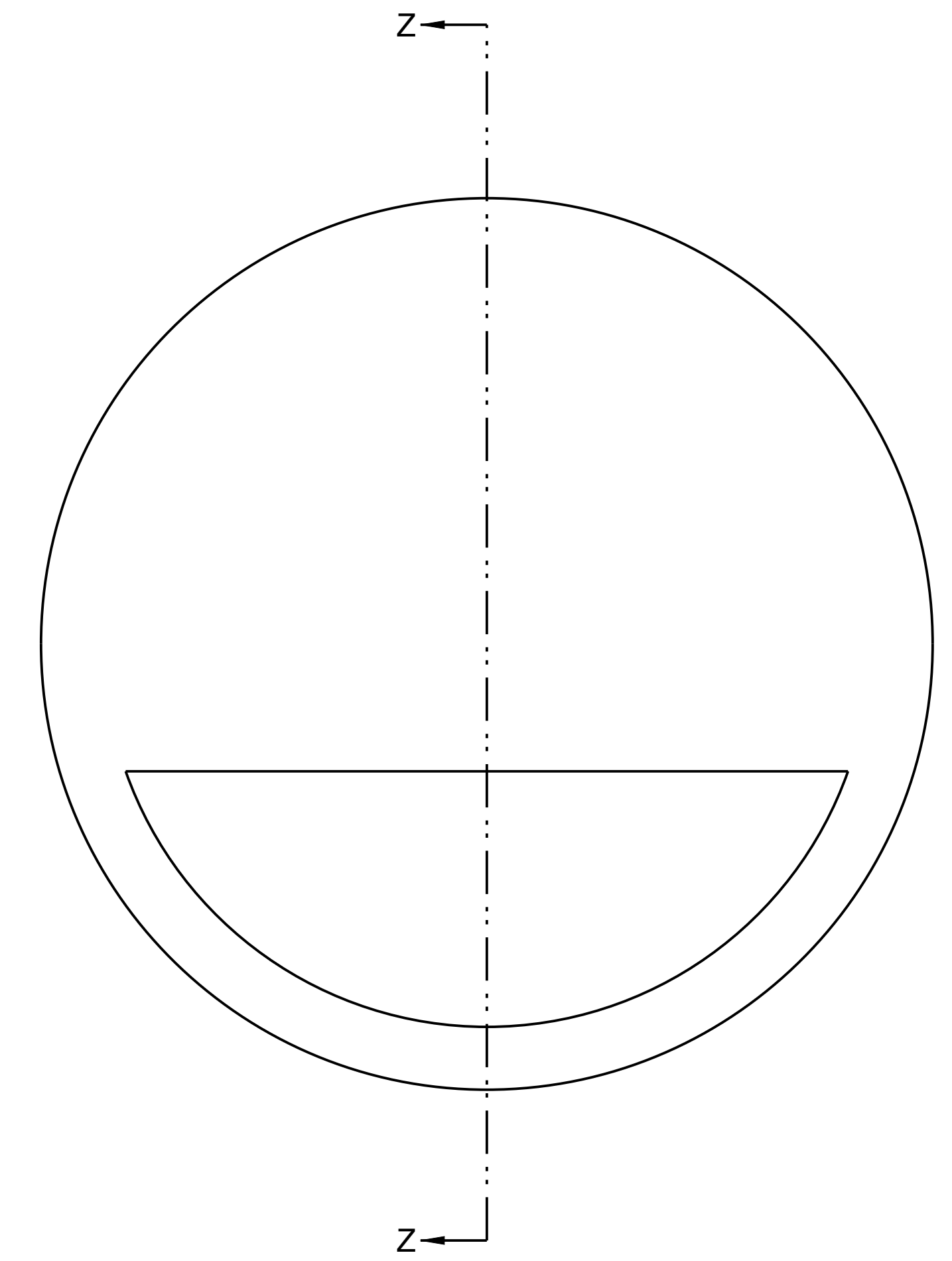
A B C D E F G H J K L M



SECTION Z-Z

BORE IS IDENTICAL TO STANDARD CONCENTRIC BORE

ECCENTRIC BORE DETAIL



INLET SIDE NO BEVEL ON DOWNSTREAM EDGE

SECTION Z-Z

SEGMENTAL BORE DETAIL

©2015 ROSEMOUNT INC.
ROSEMOUNT INC. CERTIFIES
THIS DRAWING IS IN
ACCORDANCE WITH
ROSEMOUNT ENGINEERING
SPECIFICATIONS.
UNIT NOTES IN INCHES (mm).
REFERENCE ROSEMOUNT
PRODUCT SPECIFICATIONS.
CLICK HERE

EMERSON

TITLE
**ROSEMOUNT 1495U
TYPE I DRAWING**

DR.	DMK	11/13/03	DRAWING NO.	
APPD	K.Green	12/20/03		01495-1003
CAD MAINTAINED, (PROE)				SHEET 4 OF 6

3RD ANGLE SIZE D SCALE NTS

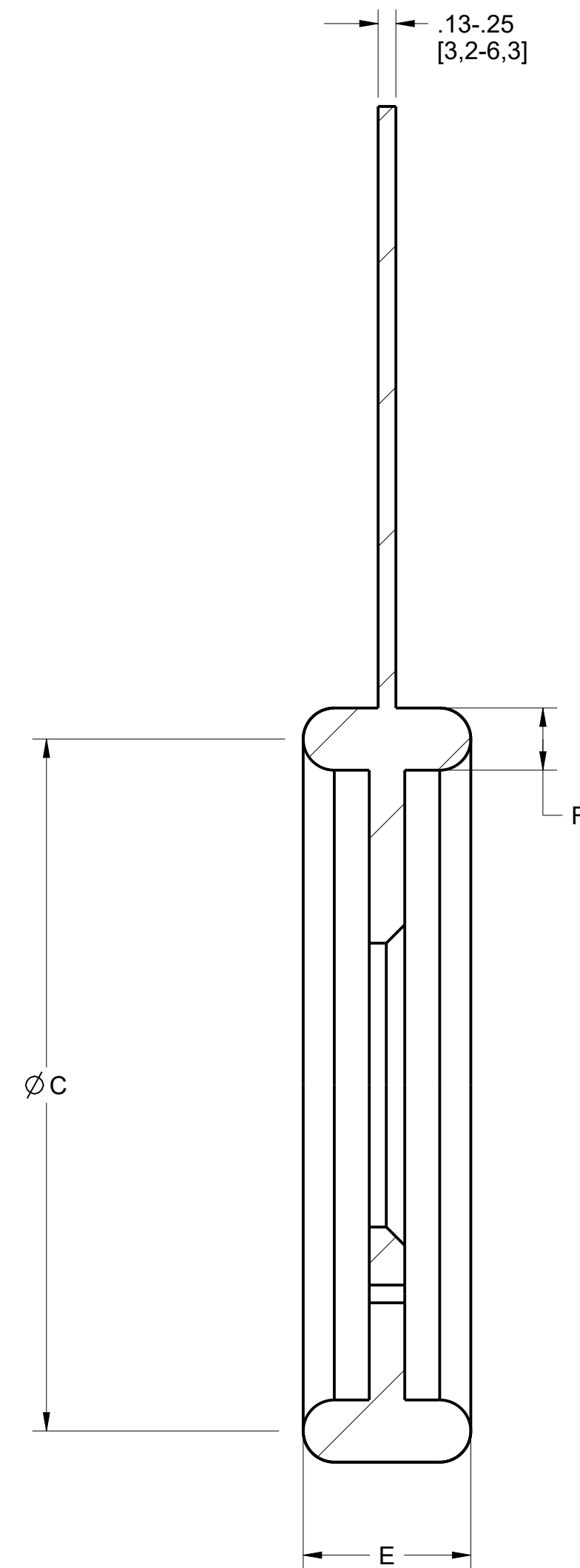
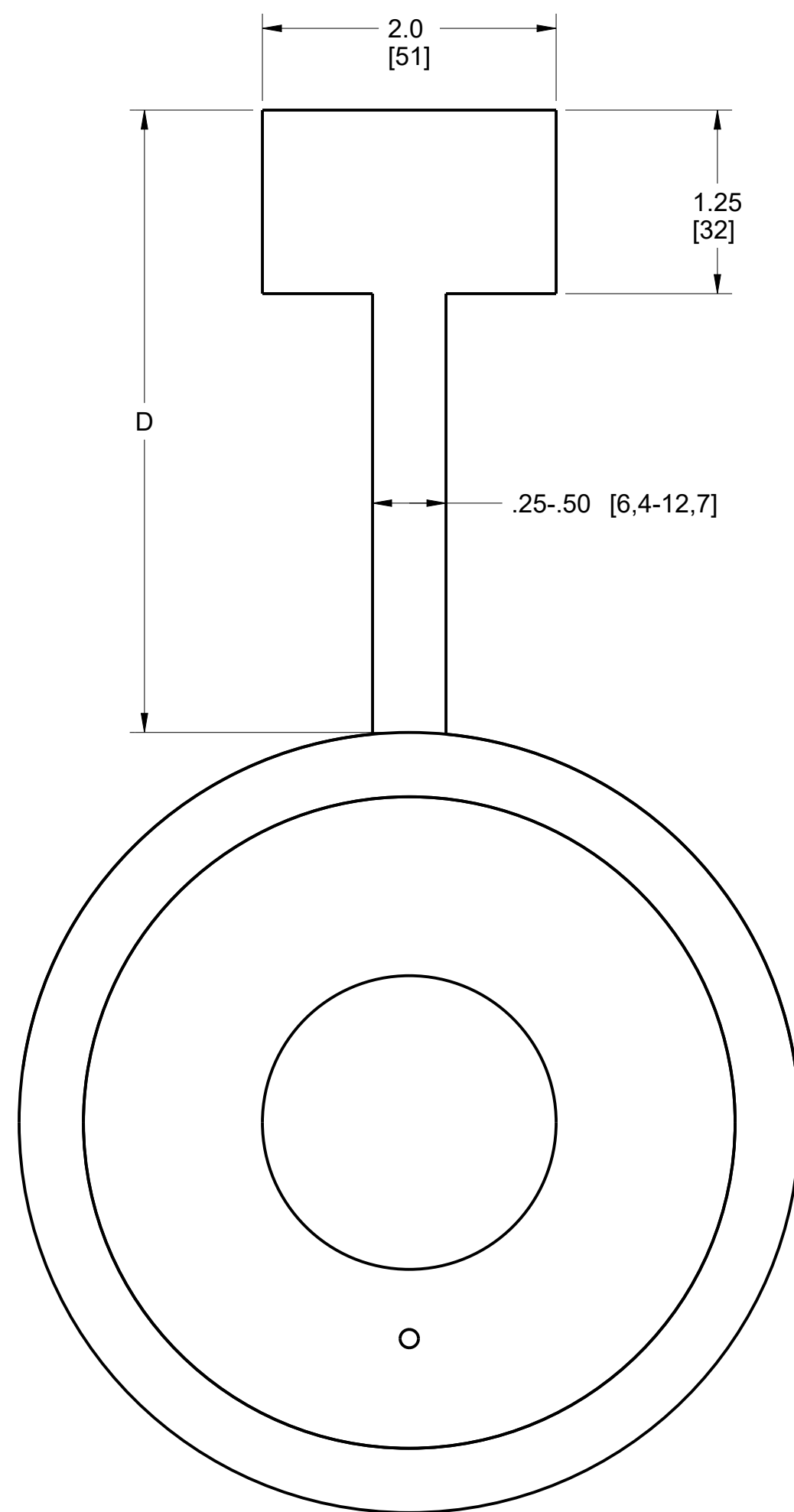
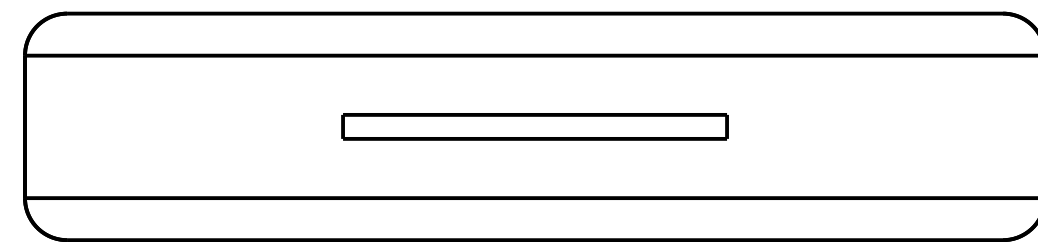


TABLE 5: INTEGRAL PLATE HOLDER DIMENSIONS

LINE SIZE	RTJ RING NO.	FLANGE RATING	E (BY PLATE THICKNESS)			D	C	F
			1/4"	1/8"	3/8"			
1/2" (DN15)	R-11	300-600	0.91 [23,1]	0.79 [20,1]	1.03 [26,2]	5.5 [140]	1.344 [34,14]	0.250 [6,35]
	R-12	900-1500	1.00 [25,4]	0.88 [22,4]	1.12 [28,4]		1.563 [39,70]	0.313 [7,95]
	R-13	2500					1.688 [42,88]	
3/4" (DN20)	R-13	300-600	1.00 [25,4]	0.88 [22,4]	1.12 [28,4]	5.5 [140]	1.688 [42,88]	0.313 [7,95]
	R-14	900-1500					1.750 [44,45]	
	R-16	2500					2.000 [50,80]	
1" (DN25)	R-16	300-1500	1.00 [25,4]	0.88 [22,4]	1.12 [28,4]	5.5 [140]	2.000 [50,80]	0.313 [7,95]
	R-18	2500					2.375 [60,33]	
1-1/2" (DN40)	R-20	300-1500	1.00 [25,4]	0.88 [22,4]	1.12 [28,4]	5.5 [140]	2.688 [68,28]	0.313 [7,95]
	R-23	2500	1.06 [26,9]	0.94 [23,9]	1.06 [26,9]	6.5 [165]	3.250 [82,55]	0.438 [11,13]
2" (DN50)	R-23	300-600	1.18 [30,0]	1.06 [26,9]	1.31 [33,3]	5.5 [140]	3.250 [82,55]	0.438 [11,13]
	R-24	900-1500					3.750 [95,25]	
	R-26	2500					4.000 [101,60]	
2-1/2" (DN65)	R-26	300-600	1.18 [30,0]	1.06 [26,9]	1.31 [33,3]	6.5 [165]	4.000 [101,60]	0.438 [11,13]
	R-27	900-1500					4.250 [107,95]	
	R-28	2500					4.375 [111,13]	
3" (DN80)	R-31	300-900	1.18 [30,0]	1.06 [26,9]	1.31 [33,3]	6.5 [165]	4.875 [123,83]	0.438 [11,13]
	R-35	1500					5.375 [136,53]	
	R-32	2500					1.31 [33,3]	

©2015 ROSEMOUNT INC.
 ROSEMOUNT INC. CERTIFIES
 THIS DRAWING IS MADE IN
 ACCORDANCE WITH
 ROSEMOUNT ENGINEERING
 SPECIFICATIONS.
 UNIT NOTES IN INCHES (mm).
 REFERENCE ROSEMOUNT
 PRODUCT SPECIFICATIONS.
 CLICK HERE

EMERSON

TITLE
**ROSEMOUNT 1495U
 TYPE I DRAWING**

DR. DMK 11/13/03 DRAWING NO.
 APPD K.Green 12/20/03 01495-1003
 CAD MAINTAINED, (PROE) SHEET 5 OF 6

3RD ANGLE

SIZE D SCALE NTS

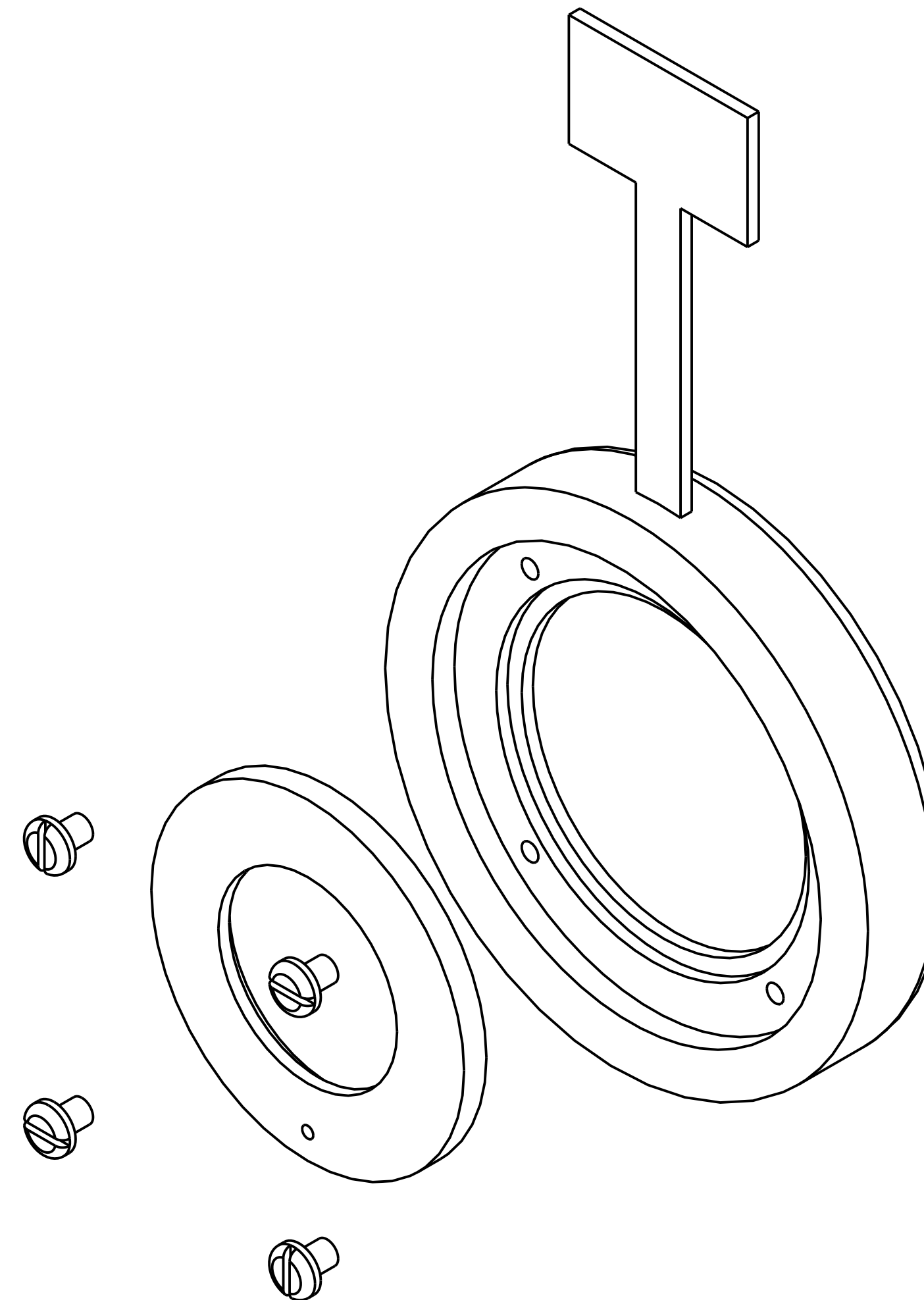
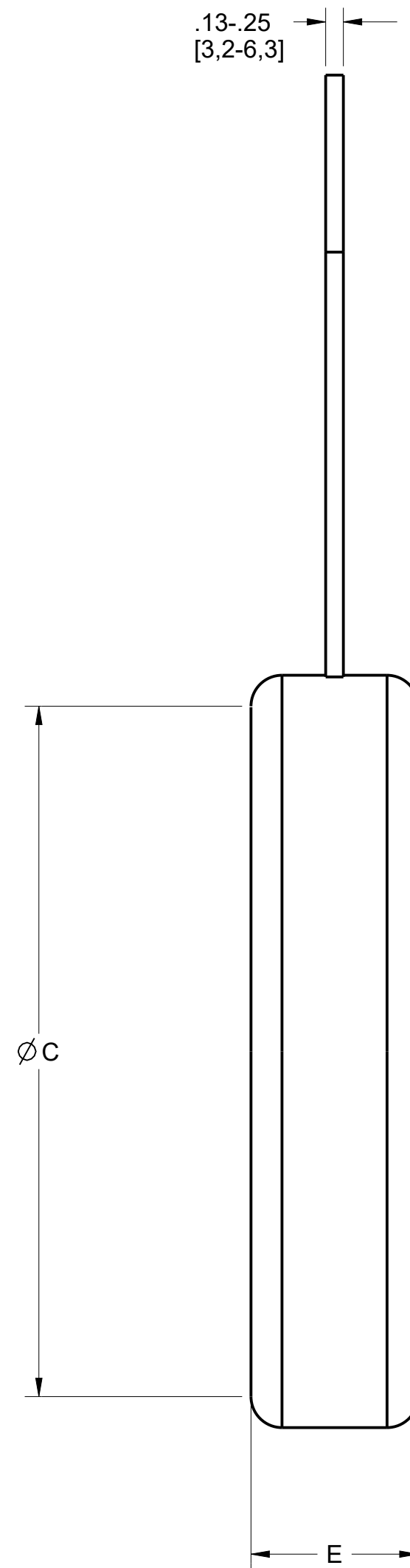
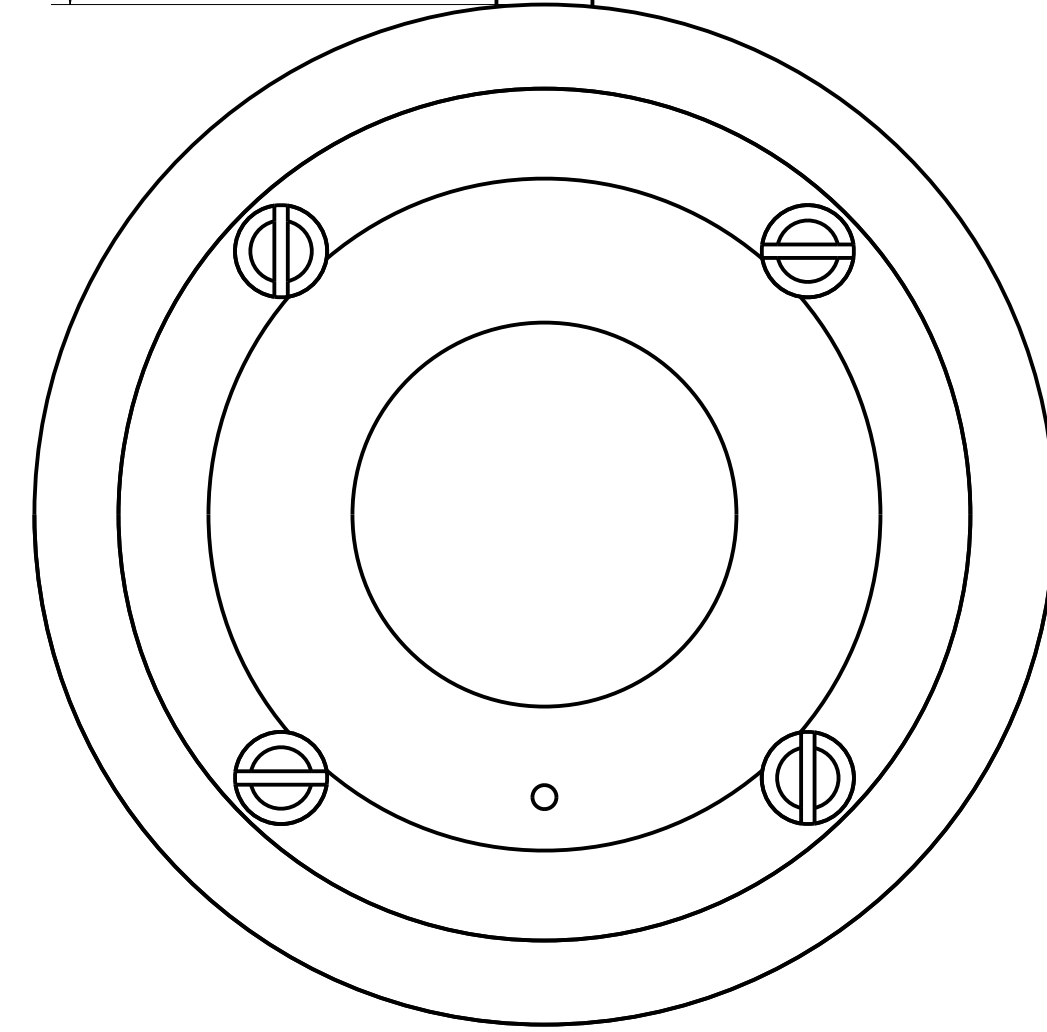
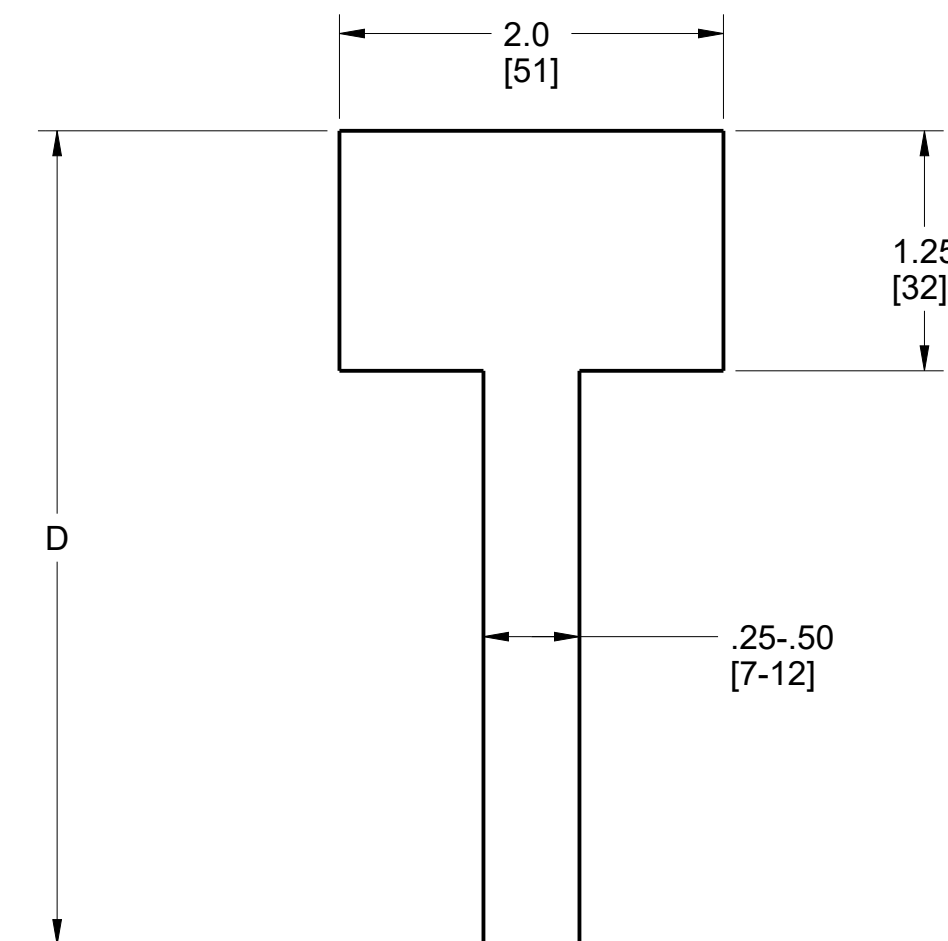
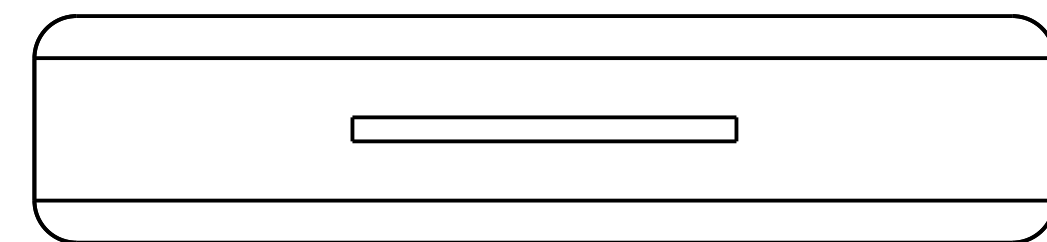


TABLE 6: SCREW TYPE HOLDER DIMENSIONS

LINE SIZE	RING NO.	FLANGE RATING	RECOMMENDED PLATE THICKNESS	E (RING WIDTH) (BY PLATE THICKNESS)				D	C	F
				0.125 [3,0]	0.250 [6,0]	0.375 [10,0]	0.500 [13,0]			
4" (DN100)	R-37	300-900	0.125 [3,0]	1.06 [26,9]	1.19 [30,2]	1.31 [33,3]	1.44 [36,6]	6.5 [164]	5.875 [149,23] 6.375 [161,93]	0.438 [11,13]
	R-39	1500								
	R-38	2500								
6" (DN150)	R-45	300-900	0.125 [3,0]	1.06 [26,9]	1.19 [30,2]	1.31 [33,3]	1.44 [36,6]	7.5 [191]	8.312 [211,12]	0.438 [11,13] 0.500 [12,70]
	R-46	1500								
	R-47	2500								
8" (DN200)	R-49	300-900	0.250 [6,0]	1.19 [30,2]	1.31 [33,3]	1.44 [36,6]	1.57 [39,9]	7.5 [191]	10.625 [269,88]	0.438 [11,13] 0.625 [15,88]
	R-50	1500								
	R-51	2500								
10" (DN250)	R-53	300-900	0.250 [6,0]	1.19 [30,2]	1.31 [33,3]	1.44 [36,6]	1.57 [39,9]	8.5 [216]	12.750 [323,85]	0.438 [11,13] 0.625 [15,88]
	R-54	1500								
	R-55	2500								
12" (DN300)	R-57	300-900	0.250 [6,0]	1.19 [30,2]	1.31 [33,3]	1.44 [36,6]	1.57 [39,9]	9.5 [241]	15.000 [381,00]	0.438 [11,13] 0.875 [22,23]
	R-58	1500								
	R-60	2500								
14" (DN350)	R-61	300-600	0.375 [10,0]	1.19 [30,2]	1.31 [33,3]	1.44 [36,6]	1.57 [39,9]	8.5 [216]	16.000 [406,40]	0.438 [11,13] 0.625 [15,88]
	R-62	900								
	R-63	1500								
16" (DN400)	R-65	300-600	0.375 [10,0]	1.19 [30,2]	1.31 [33,3]	1.44 [36,6]	1.57 [39,9]	8.5 [216]	18.500 [469,90]	0.438 [11,13] 0.625 [15,88] 1.125 [28,58]
	R-66	900								
	R-67	1500								
18" (DN450)	R-69	300-600	0.375 [10,0]	1.19 [30,2]	1.31 [33,3]	1.44 [36,6]	1.57 [39,9]	8.5 [216]	21.000 [533,40]	0.438 [11,13] 0.750 [19,05] 1.125 [28,58]
	R-70	900								
	R-71	1500								
20" (DN500)	R-73	300-600	0.375 [10,0]	1.19 [30,2]	1.31 [33,3]	1.44 [36,6]	1.57 [39,9]	8.5 [216]	23.000 [584,20]	0.500 [12,70] 0.750 [19,05] 1.250 [31,75]
	R-74	900								
	R-75	1500								
24" (DN600)	R-77	300-600	0.500 [13,0]	1.19 [30,2]	1.31 [33,3]	1.44 [36,6]	1.57 [39,9]	10.5 [267]	27.250 [692,15]	0.625 [15,88] 1.000 [25,40] 1.375 [34,93]
	R-78	900								
	R-79	1500								

©2015 ROSEMOUNT INC. ROSEMOUNT INC. CERTIFIES THIS DRAWING AS BEING IN ACCORDANCE WITH ROSEMOUNT ENGINEERING SPECIFICATIONS. UNIT NOTES IN INCHES (mm). REFERENCE ROSEMOUNT PRODUCT SPECIFICATIONS. CLICK HERE

DR. DMK 11/13/03 DRAWING NO. 01495-1003
 APPD K.Green 12/20/03
 CAD MAINTAINED, (PROE) SHEET 6 OF 6

3RD ANGLE

EMERSON

TITLE ROSEMOUNT 1495U TYPE I DRAWING

SIZE D SCALE NTS