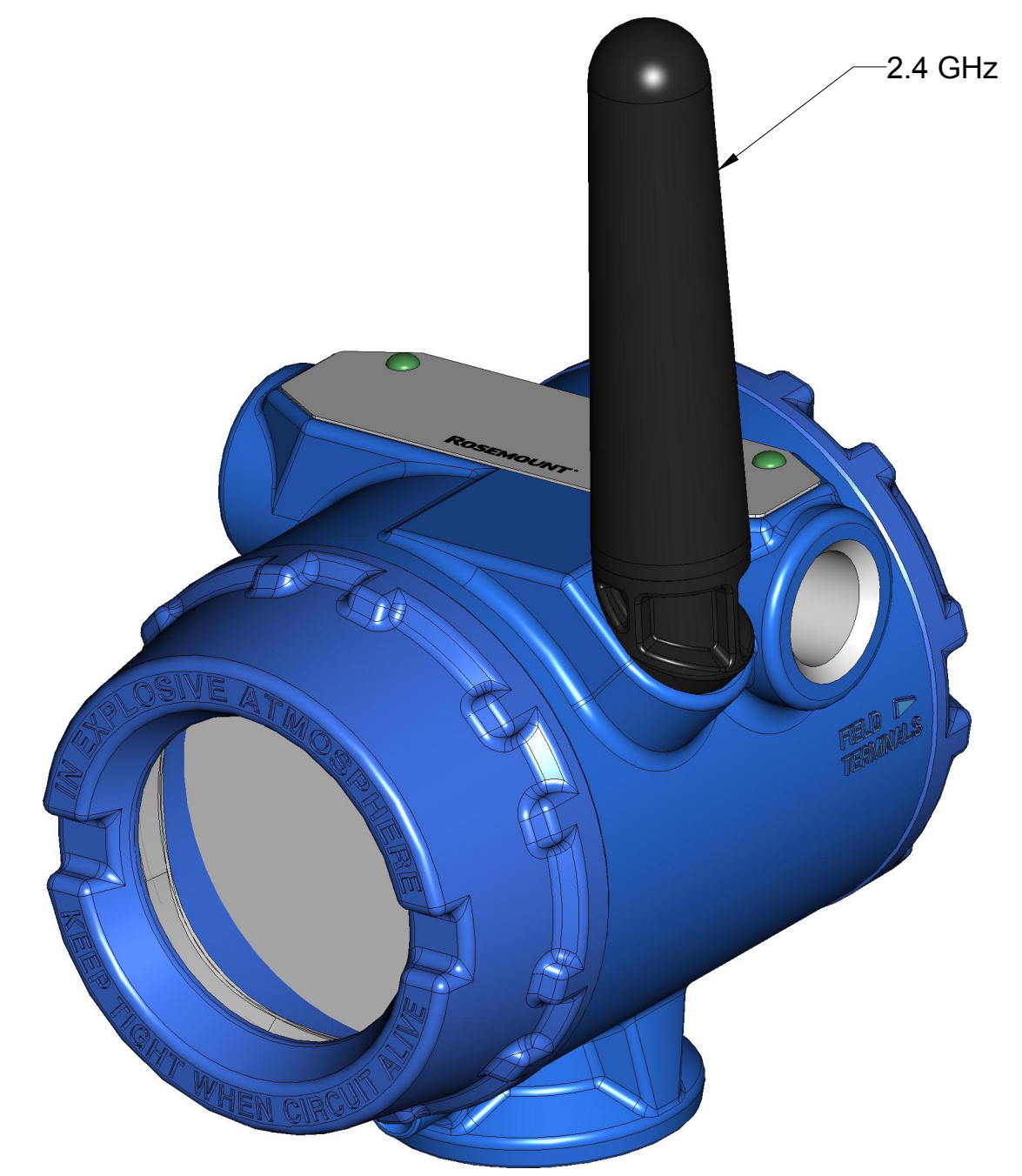
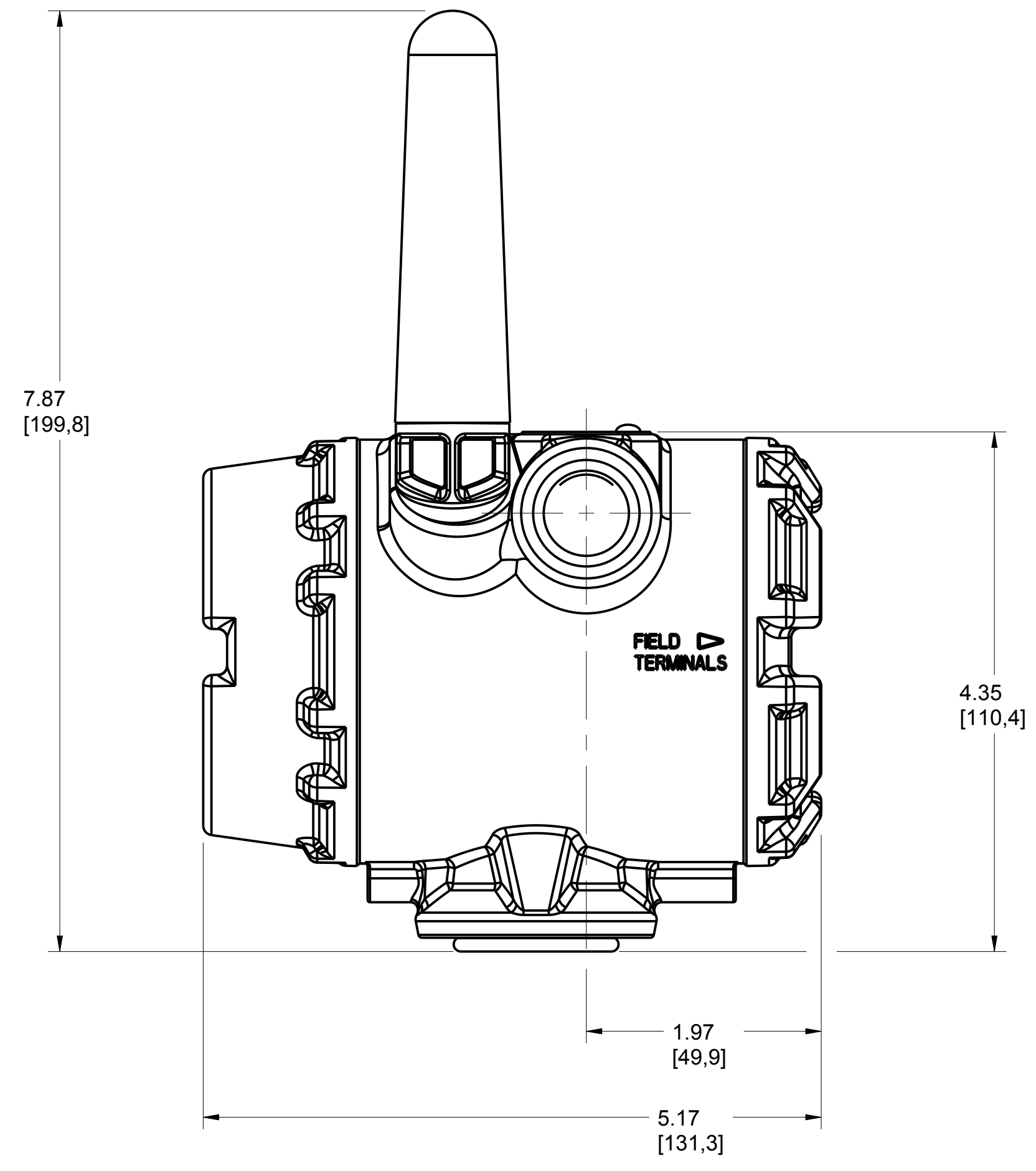
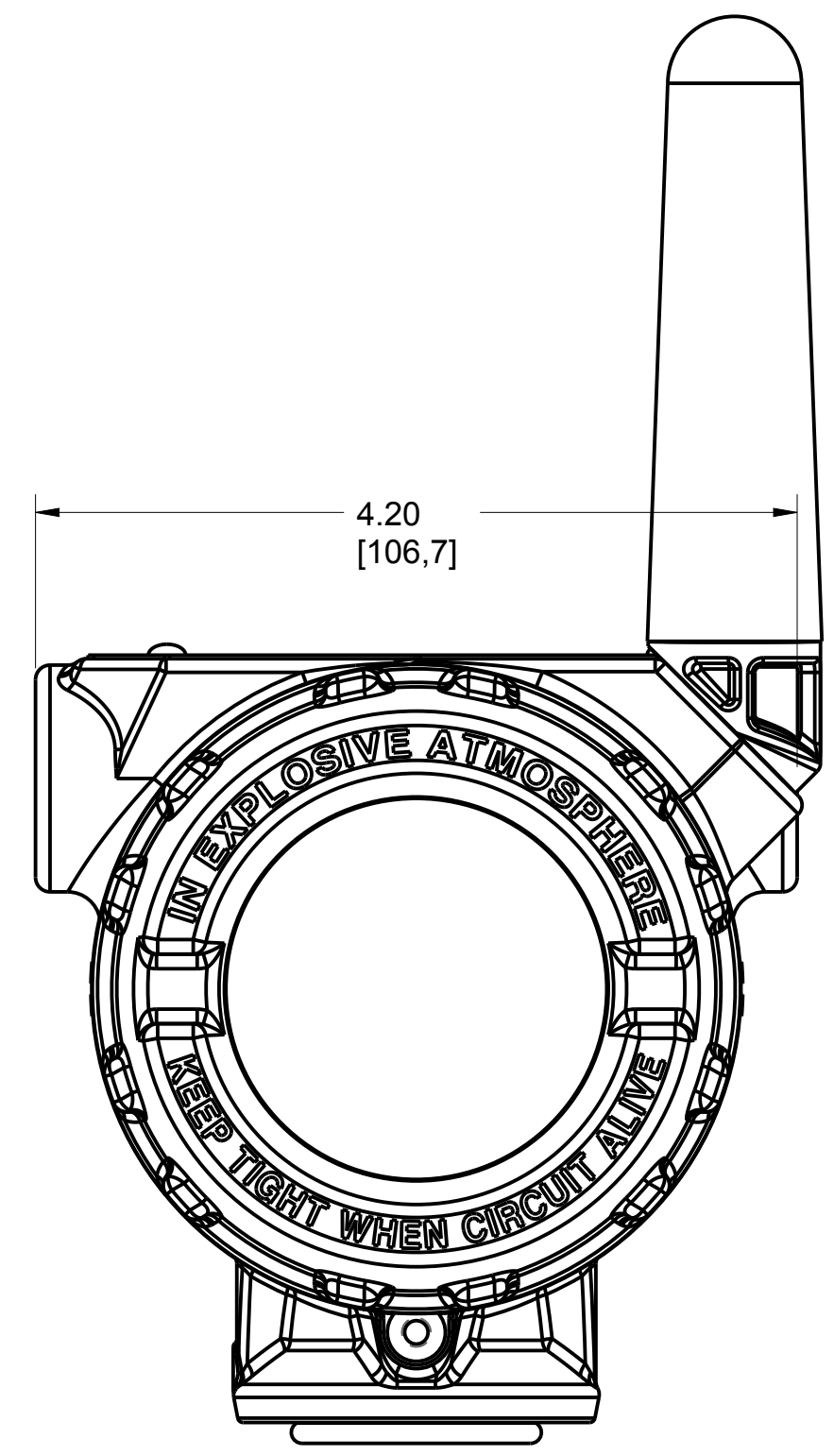


EMERSON WIRELESS 781 FIELD LINK

REVISION TABLE			
REVISION	ECO NO.	APP'D	DATE
AC	RTC1069786	A. RIEBEL	1/18/18
DESCRIPTION			
UPDATE MODELS AND TITLEBLOCK. ADD 3-D PARTS			

SHOWN WITH OPTIONAL DIGITAL DISPLAY
2.4 GHz/WIRELESS HART ANTENNA



©2015 ROSEMOUNT INC.
ROSEMOUNT INC. CERTIFIES
THIS DRAWING IS MADE
IN ACCORDANCE WITH
ROSEMOUNT ENGINEERING
SPECIFICATIONS.
UNIT NOTES IN INCHES (mm).

REFERENCE ROSEMOUNT
PRODUCT SPECIFICATIONS.
[CLICK HERE](#)

CAD MAINTAINED, (PROE)

3RD ANGLE

EMERSON

TITLE
**EMERSON 781
TYPE I DRAWING**

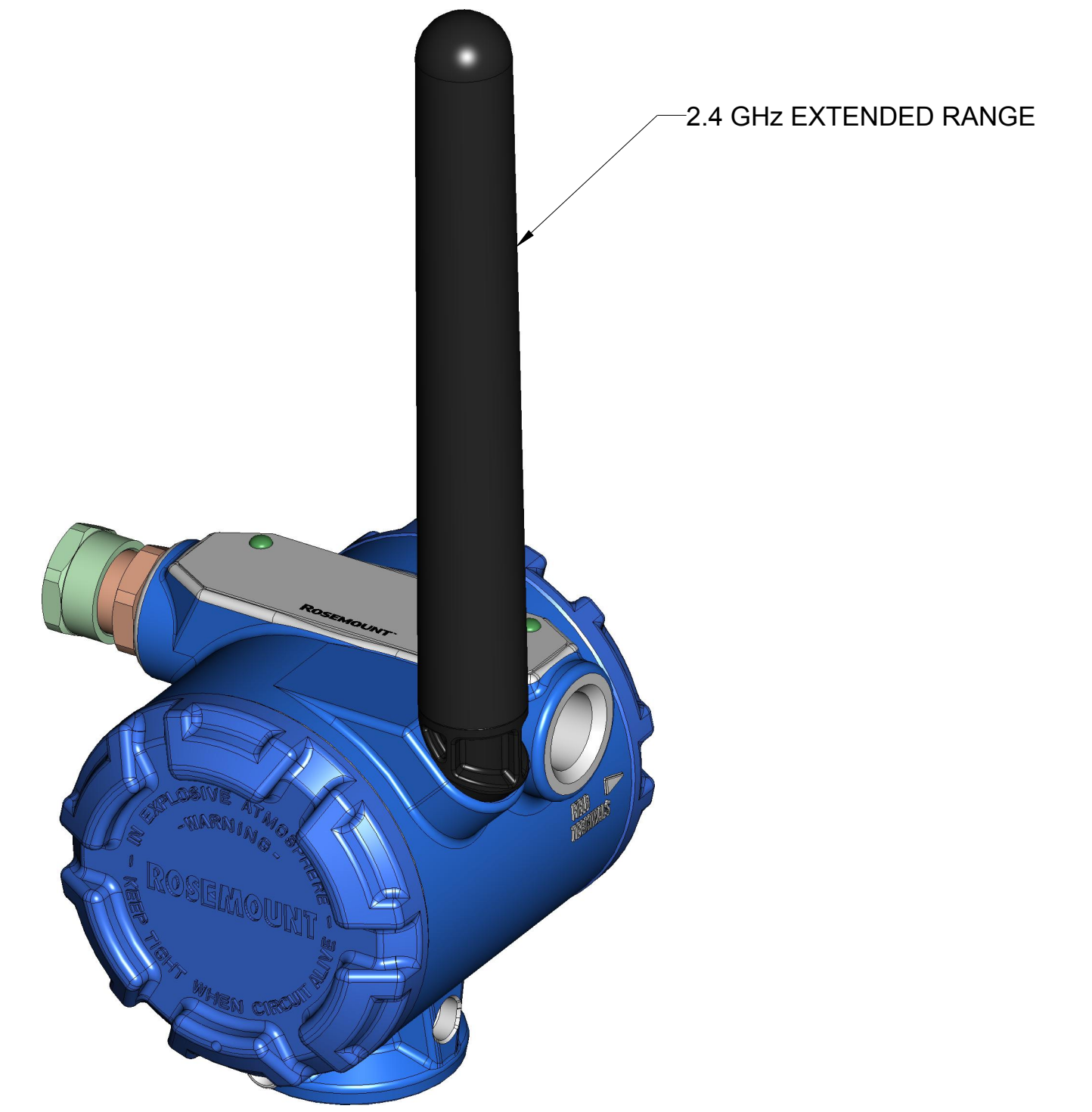
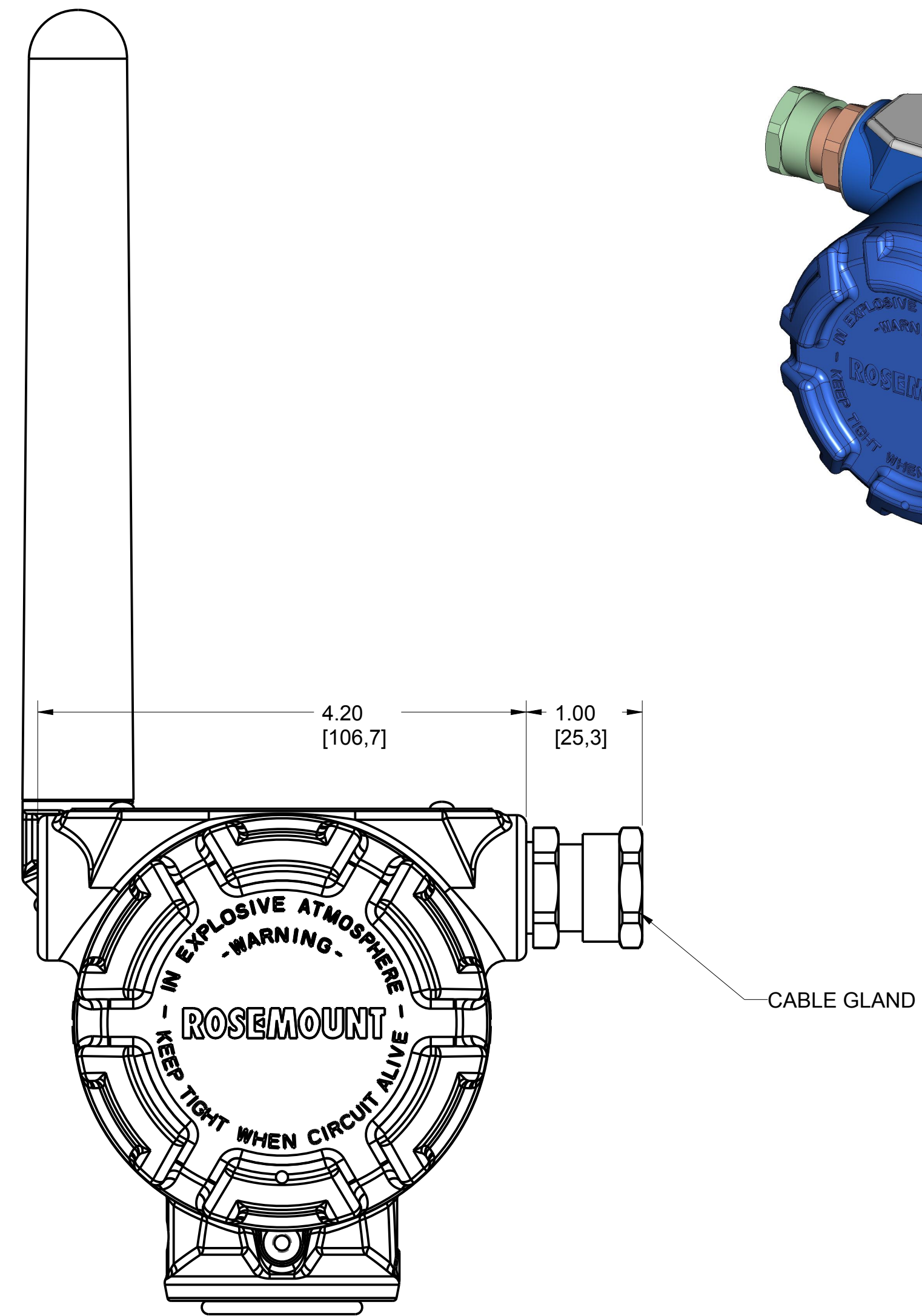
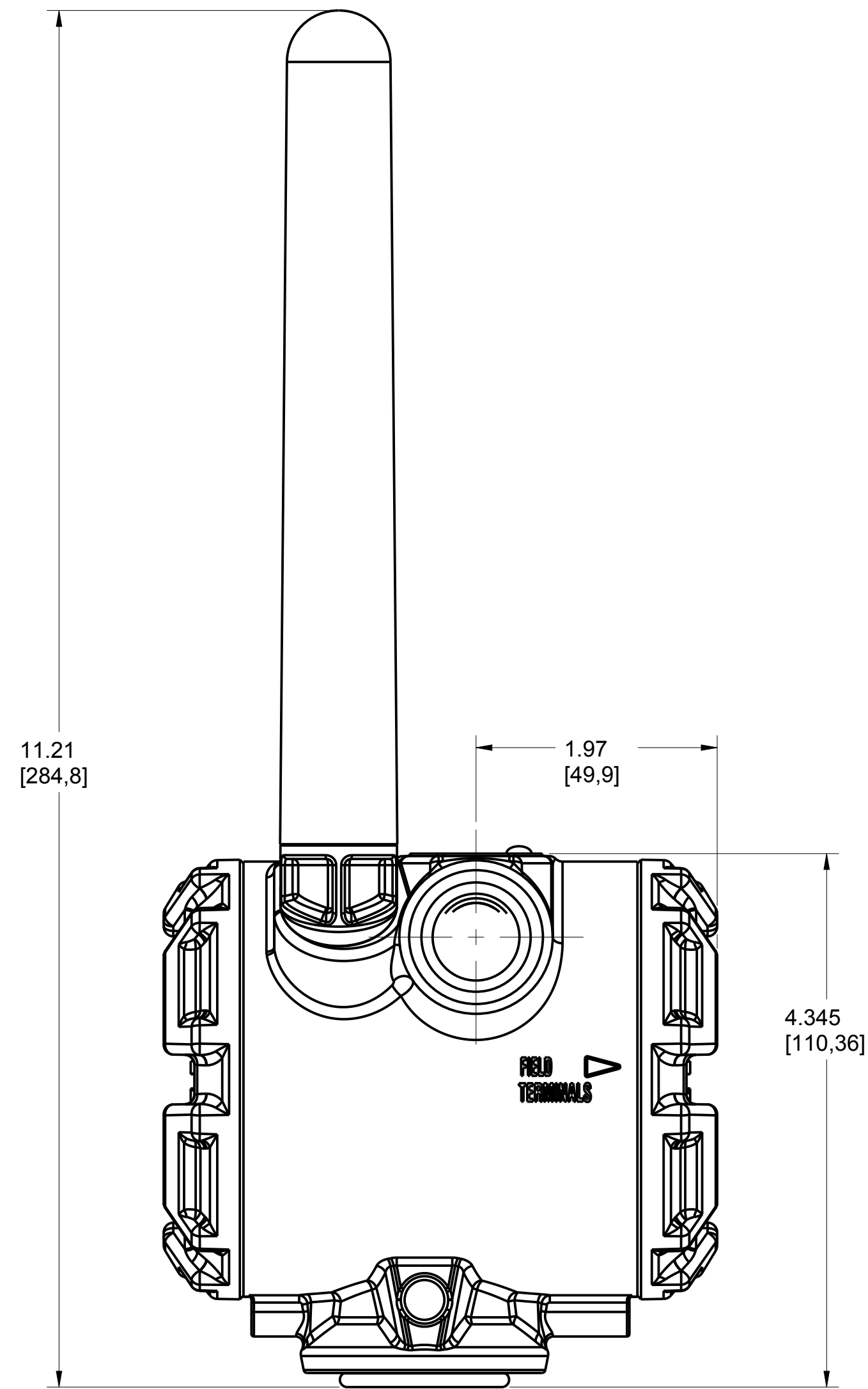
DR. J. ARMSTRONG 2/14/17 DRAWING NO.
APP'D A. RIEBEL 2/14/17 **00781-7000**

SIZE D SCALE NTS

SHEET 1 OF 3

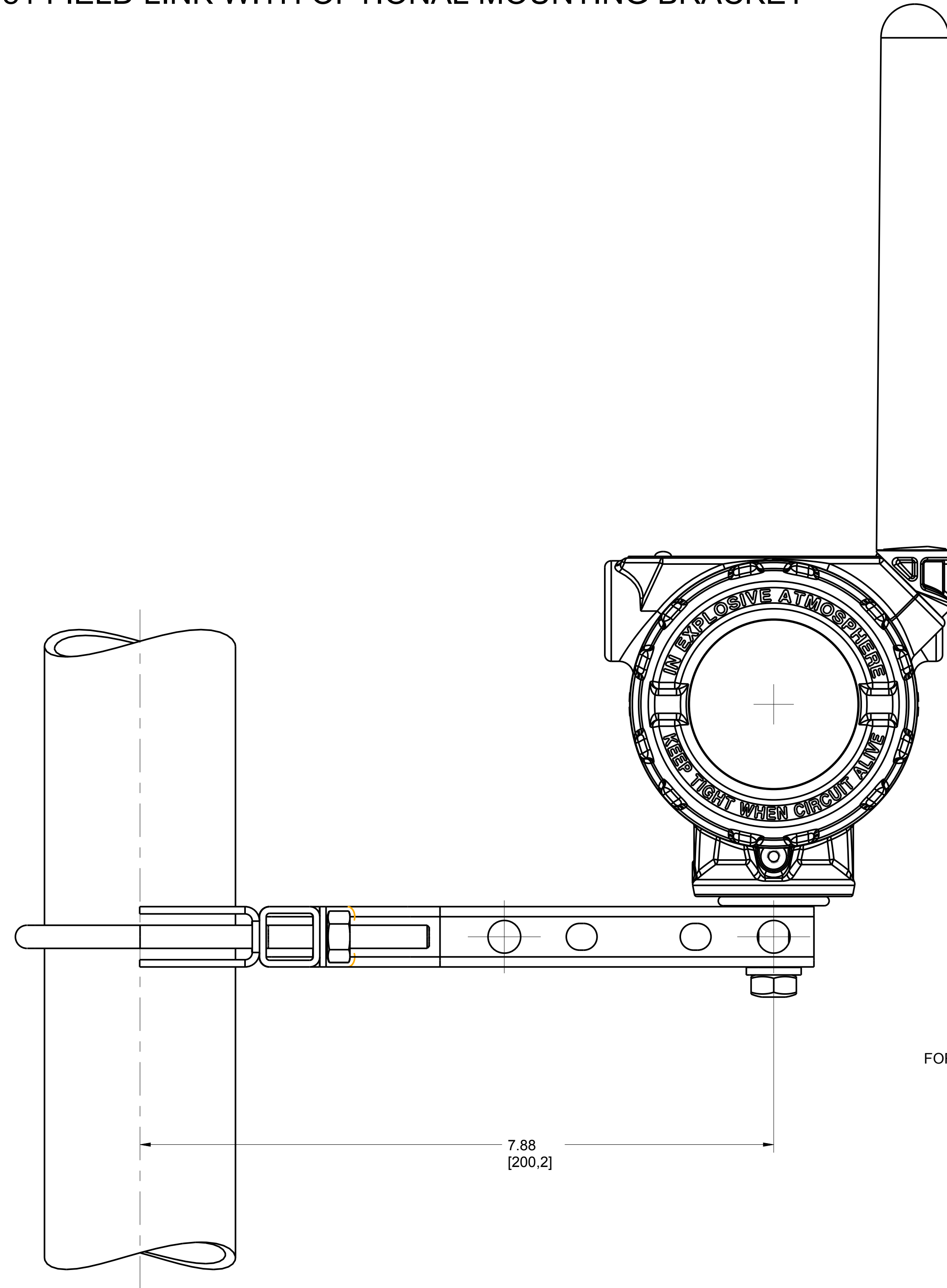
EMERSON WIRELESS 781 FIELD LINK

SHOWN WITH OPTIONAL 2.4 GHz/WIRELESS HART EXTENDED RANGE ANTENNA

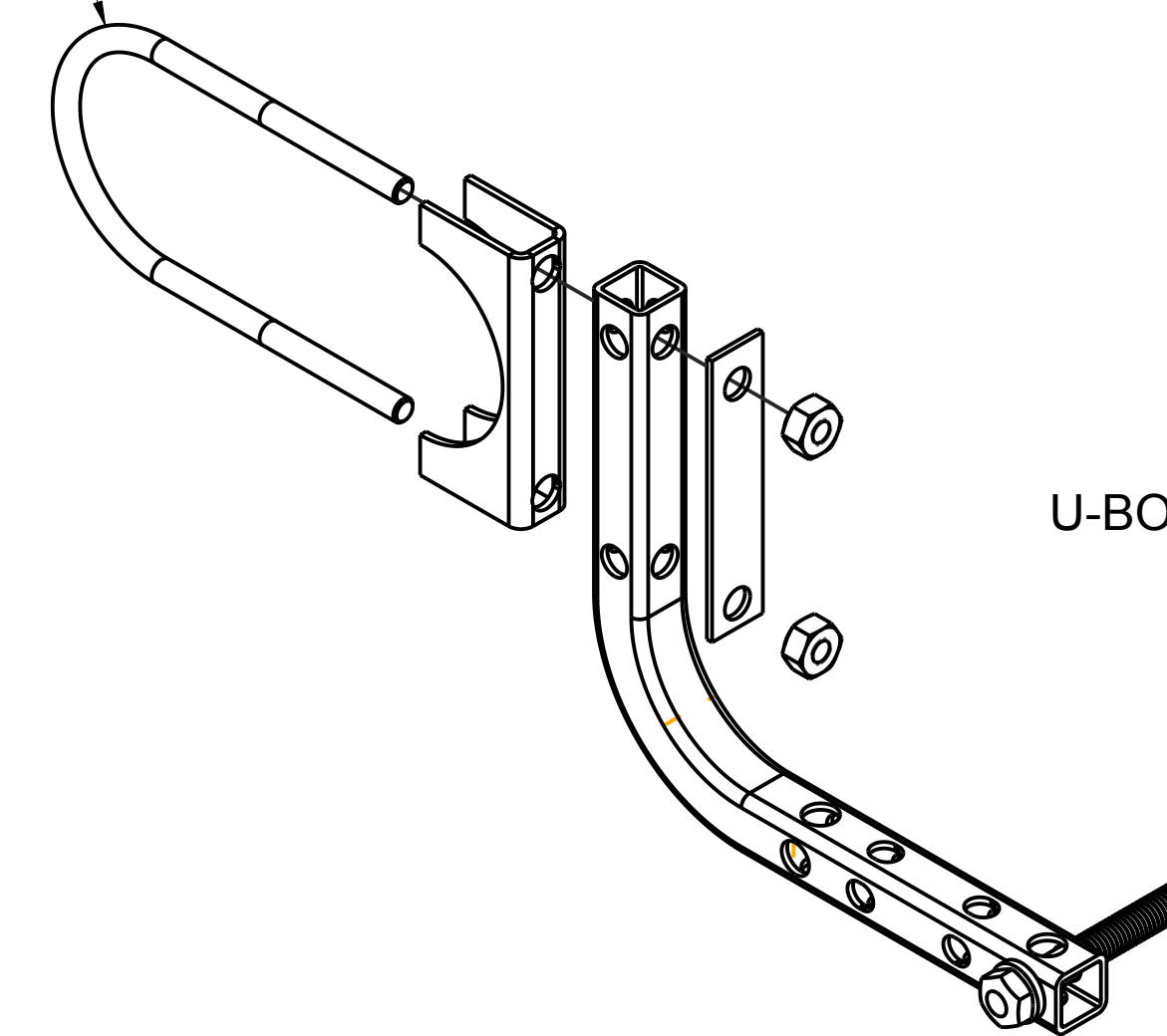


<p>©2015 ROSEMOUNT INC. ROSEMOUNT INC. CERTIFIES THIS DRAWING TO THE STANDARDS AND SPECIFICATIONS IN ACCORDANCE WITH ROSEMOUNT ENGINEERING SPECIFICATIONS. UNIT NOTES IN INCHES (mm). REFERENCE ROSEMOUNT PRODUCT SPECIFICATIONS. CLICK HERE</p>	<p>3RD ANGLE</p>	<p>SIZE D</p>	<p>SCALE NTS</p>
	<p>EMERSON</p>		
	<p>TITLE EMERSON 781 TYPE I DRAWING</p>		
	<p>DR. J. ARMSTRONG 2/14/17</p>	<p>DRAWING NO. 00781-7000</p>	
<p>APP'D A RIEBEL 2/14/17</p>			
<p>CAD MAINTAINED, (PROE)</p>		<p>SHEET 2 OF 3</p>	

EMERSON WIRELESS 781 FIELD LINK WITH OPTIONAL MOUNTING BRACKET



2 INCH U-BOLT
FOR PIPE MOUNTING



U-BOLT ASSEMBLY

<p>©2015 ROSEMOUNT INC. ROSEMOUNT INC. CERTIFIES THIS DRAWING TO BE IN ACCORDANCE WITH ROSEMOUNT ENGINEERING SPECIFICATIONS. UNIT NOTES IN INCHES (mm). REFERENCE ROSEMOUNT PRODUCT SPECIFICATIONS. CLICK HERE</p>	<p>3RD ANGLE</p>	<p>SIZE D</p>	<p>SCALE NTS</p>
	<p>EMERSON</p>		
	<p>TITLE EMERSON 781 TYPE I DRAWING</p>		
	<p>DR. J. ARMSTRONG 2/14/17</p>	<p>DRAWING NO. 00781-7000</p>	
<p>APP'D M. DOBRATZ 2/14/17</p>			
<p>CAD MAINTAINED, (PRO/E)</p>		<p>SHEET 3 OF 3</p>	