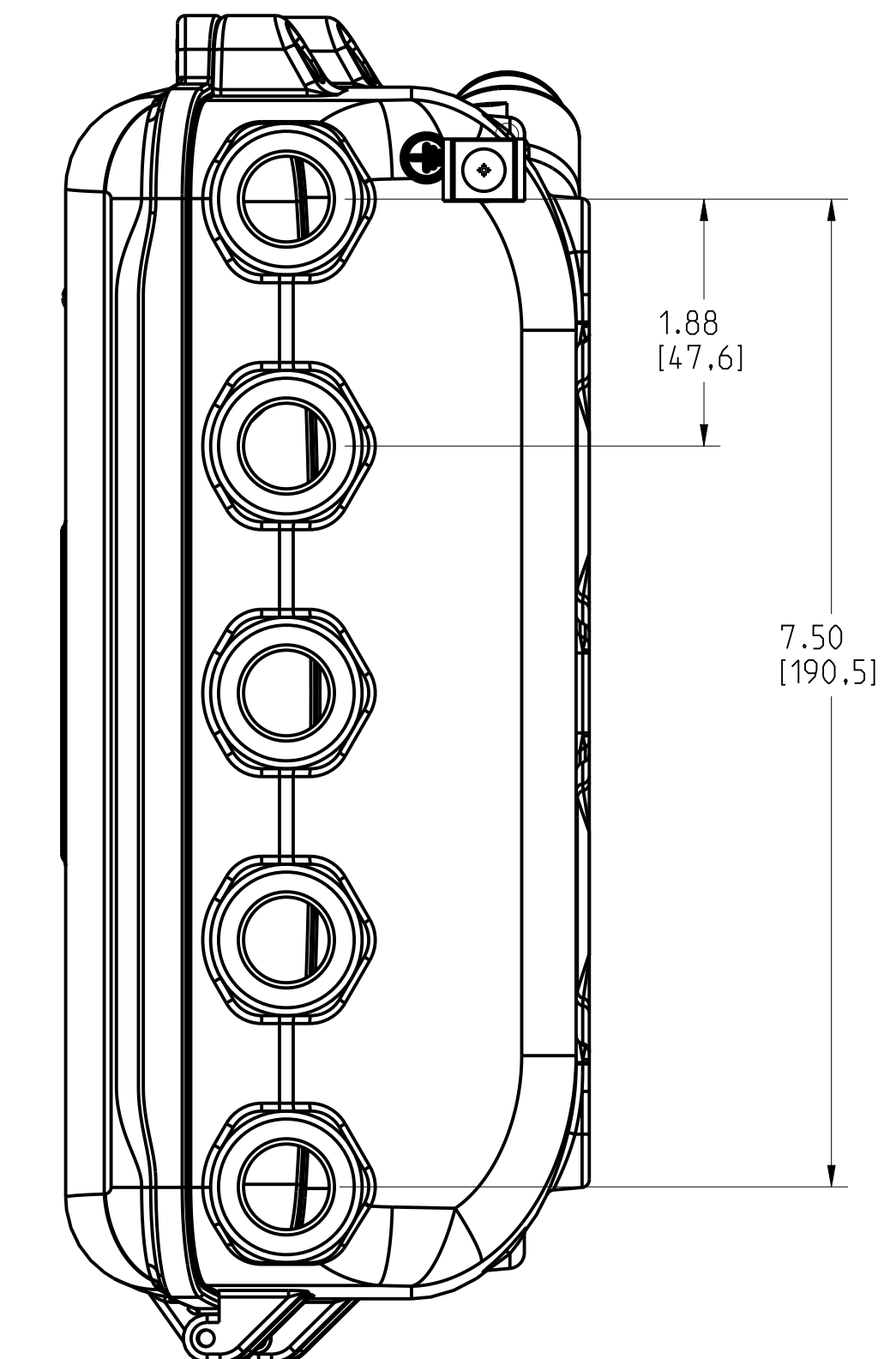
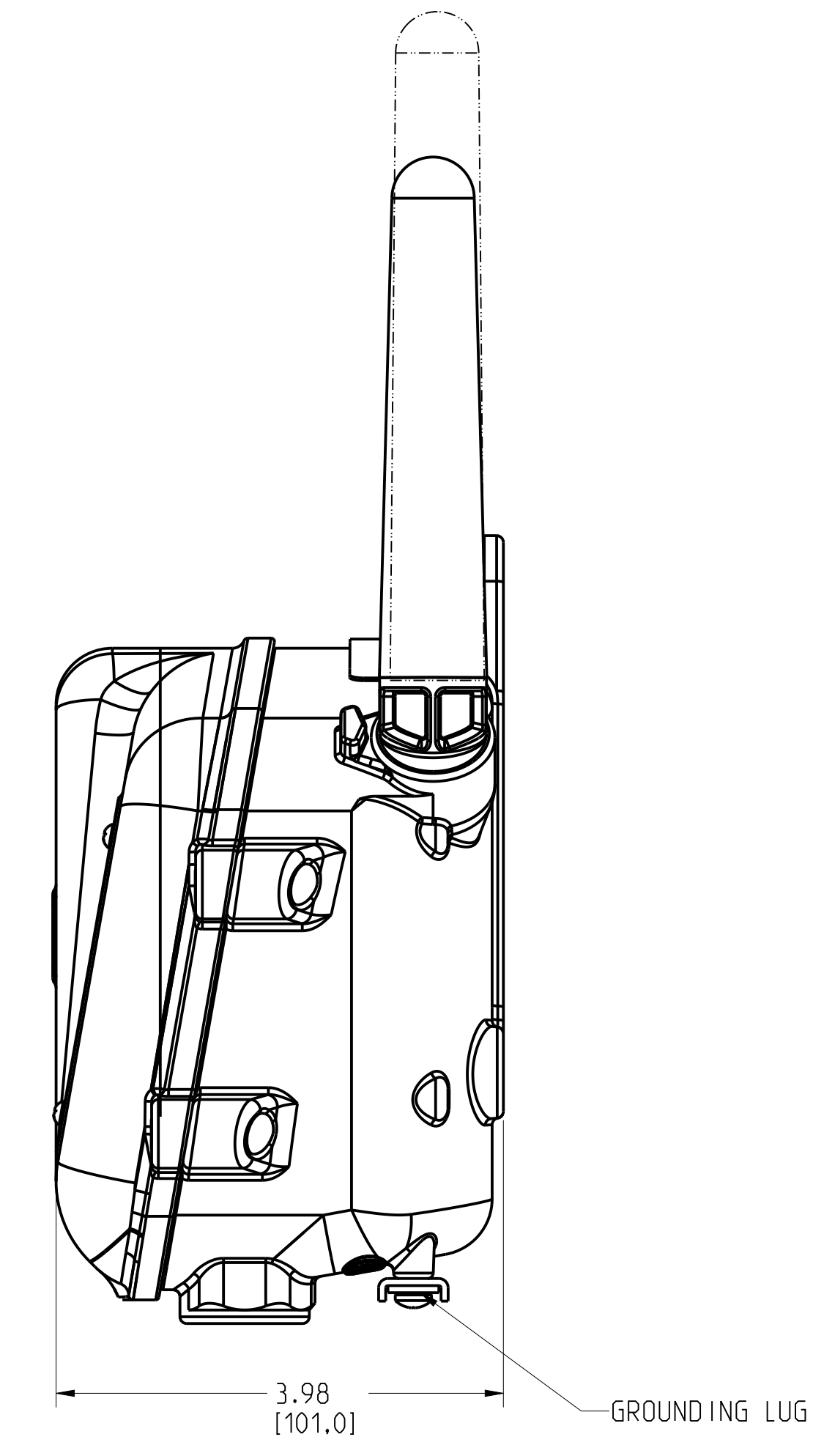
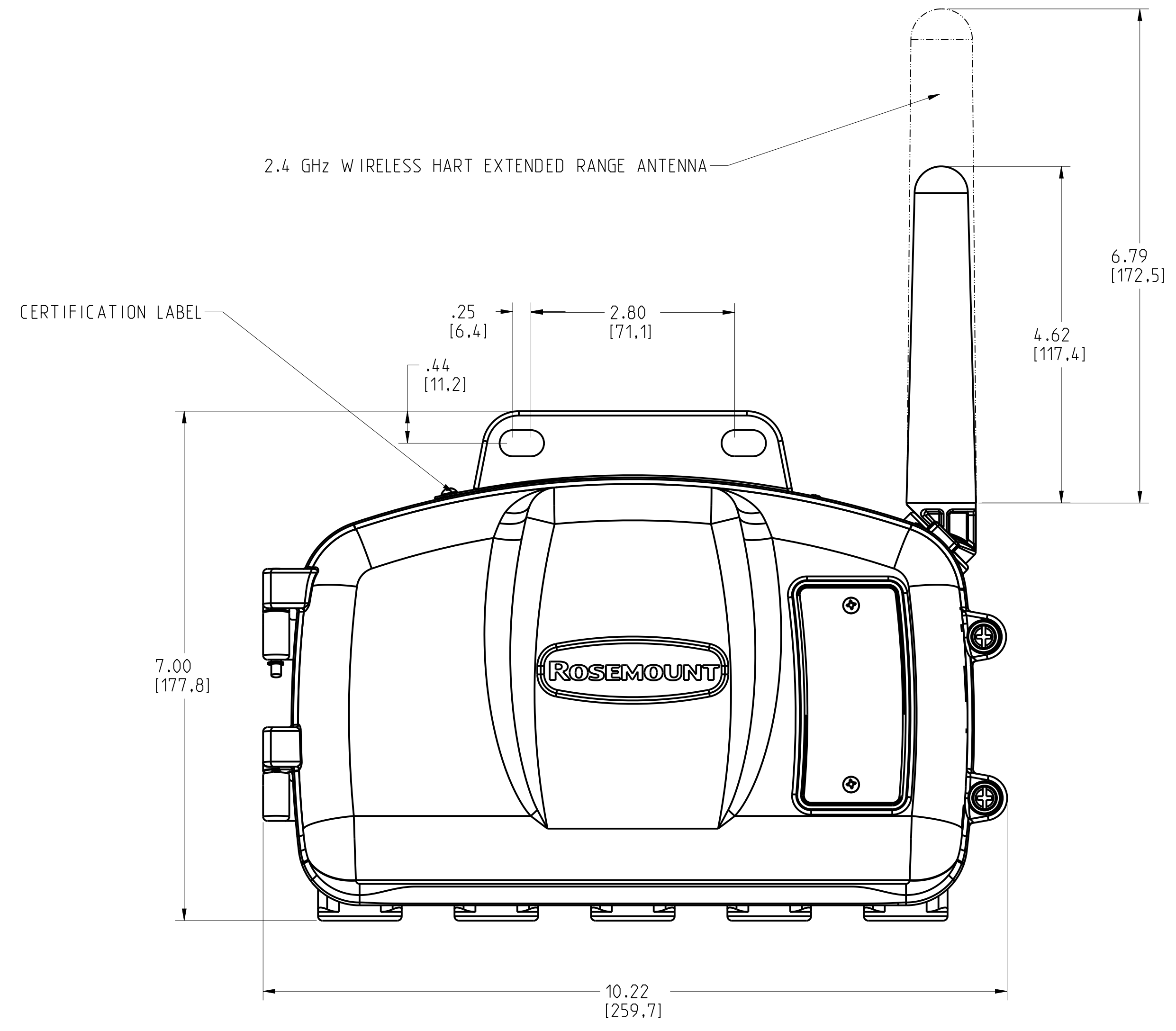


ROSEMOUNT 802 WIRELESS MULTI CHANNEL DISCRETE INPUT OR OUTPUT TRANSMITTER HOUSING

REVISION TABLE			
REVISION	ECO NO.	APP'D	DATE
AA	RTC1081733	R. LINDSEY	10/18/23
DESCRIPTION			
CREATE NEW			

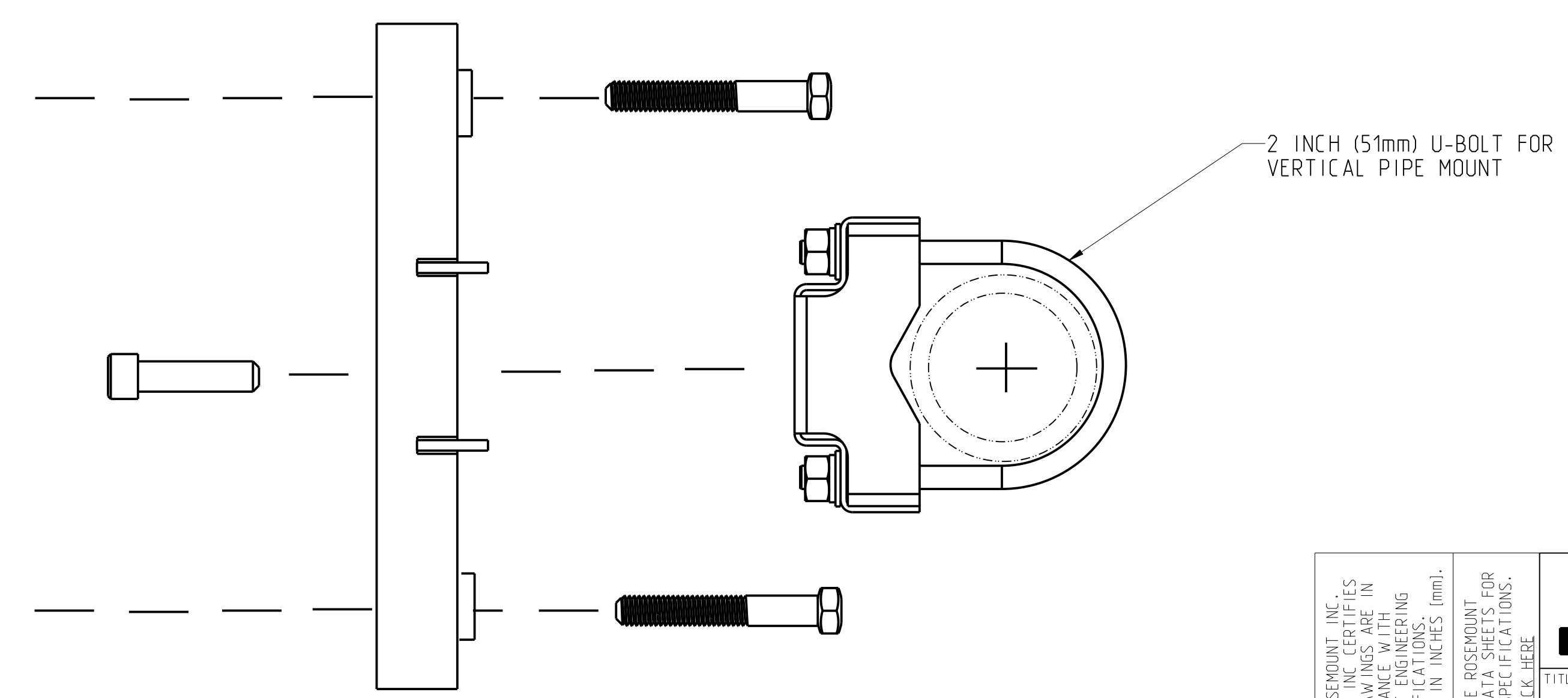
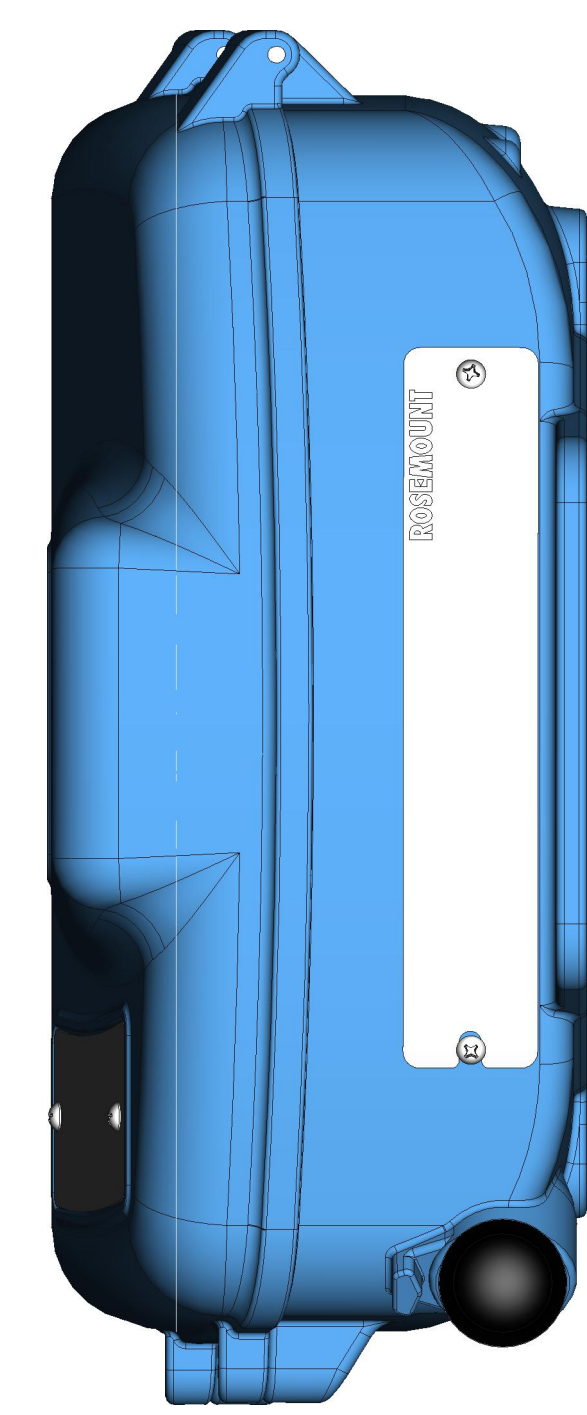
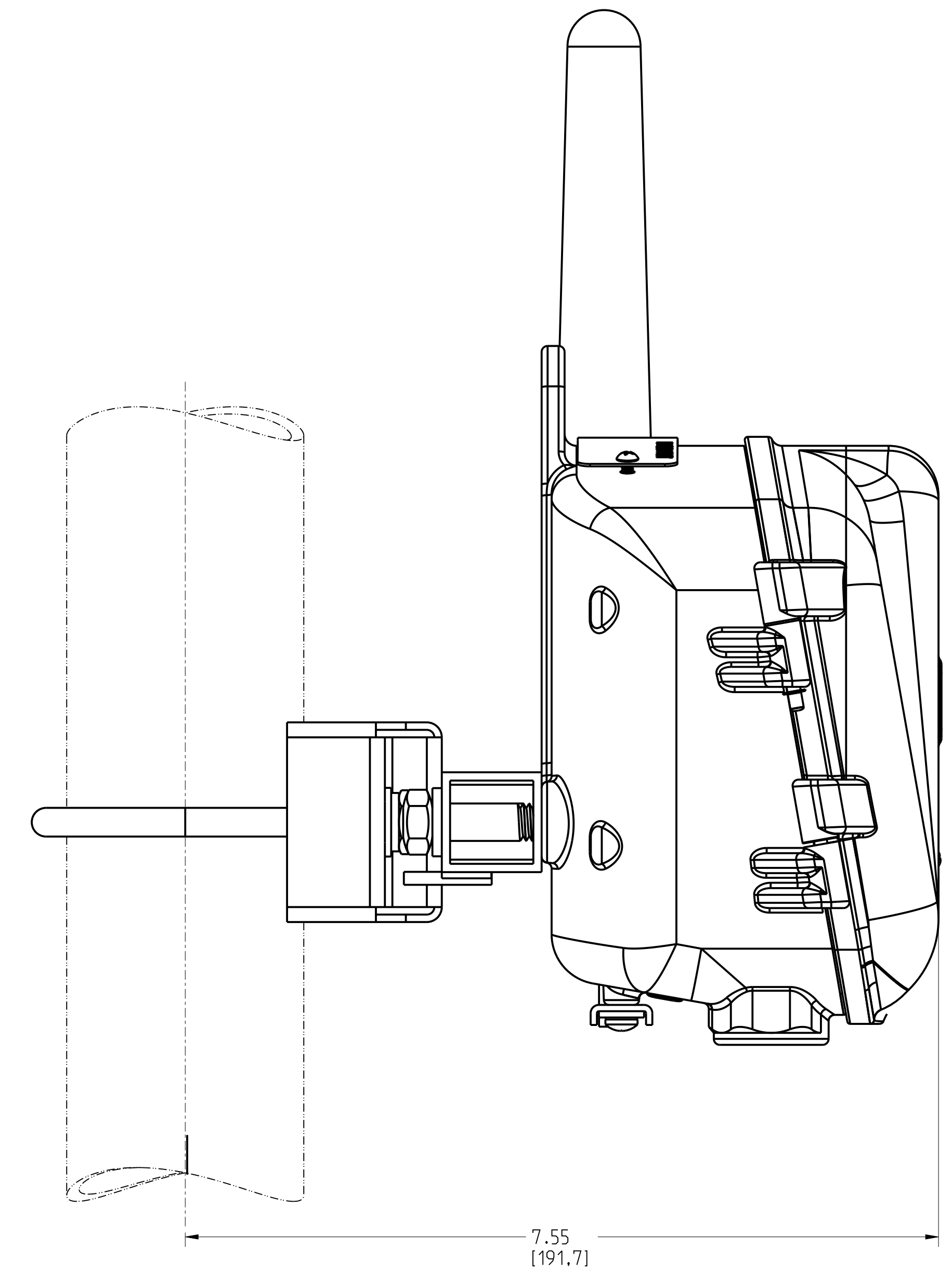
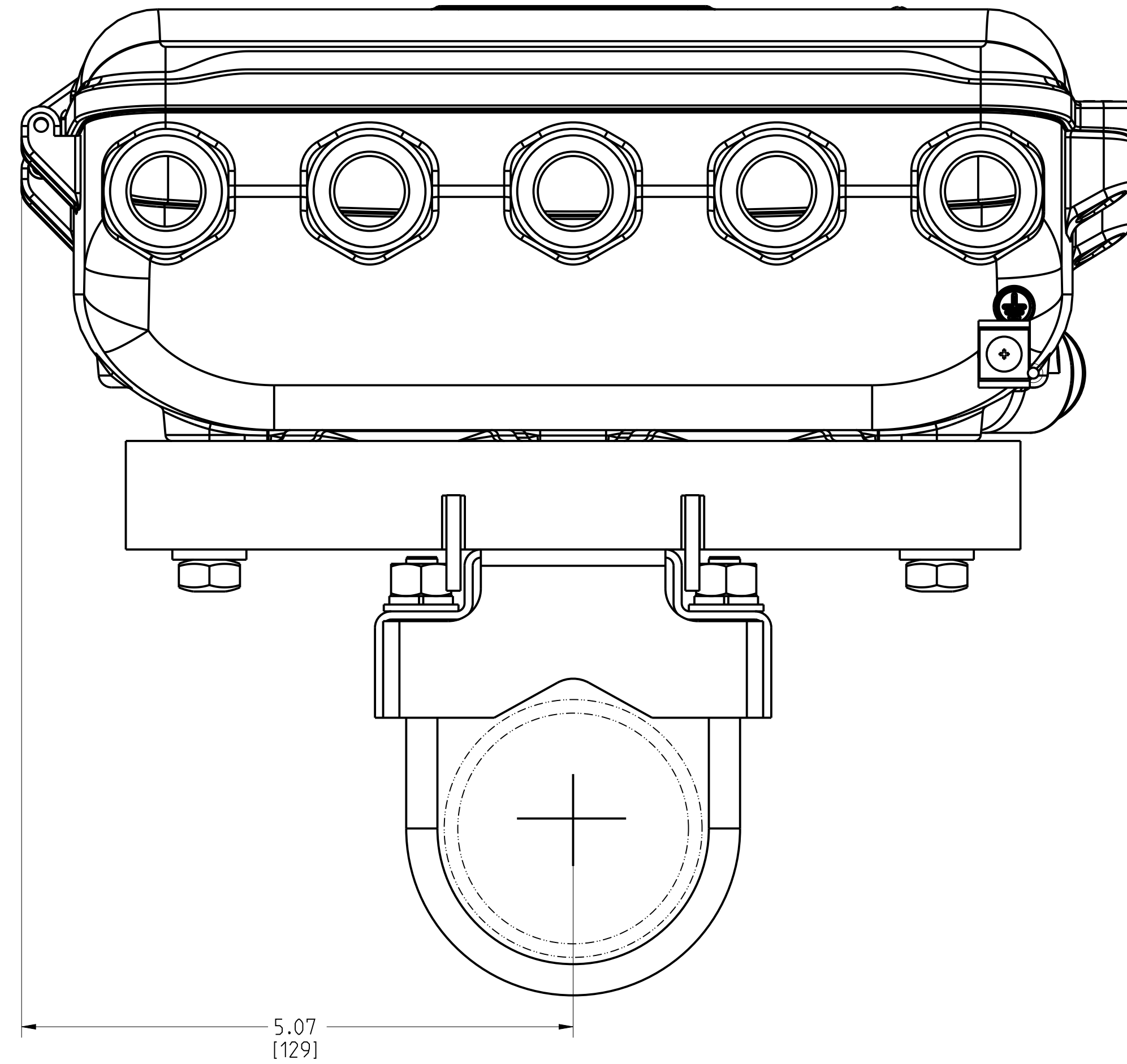


©2015 ROSEMOUNT INC.
ROSEMOUNT INC. EXPRESSLY
DISCLAIMS LIABILITY FOR
THIS DRAWING. THIS DRAWING IS
TO BE USED IN CONFORMANCE WITH
ROSEMOUNT ENGINEERING
SPECIFICATIONS.
UNIT NOTES IN INCHES (mm).

REFERENCE ROSEMOUNT
PRODUCT SHEETS FOR
PRODUCT SPECIFICATIONS.
CLICK HERE

		3RD ANGLE		SIZE D	SCALE NTS
TITLE ROSEMOUNT 802 WIRELESS TYPE I DRAWING					
DR. J. ARMSTRONG 10/22/23		DRAWING NO.		00802-7000	
APP'D R. LINDSEY 10/22/23				SHEET 1 OF 2	
CAD MAINTAINED (PRO/E)					

ROSEMOUNT 802 WIRELESS MULTI CHANNEL DISCRETE INPUT OR OUTPUT TRANSMITTER
 W/ MOUNTING BRACKET FOR 2IN./51mm PIPE MOUNTING (OPTION B6)



©2015 ROSEMOUNT, INC.
 ROSEMOUNT INCORPORATES
 THE INFORMATION CONTAINED
 HEREIN IN ACCORDANCE WITH
 ROSEMOUNT ENGINEERING
 SPECIFICATIONS.
 UNIT NOTES IN INCHES (mm).

REFERENCE ROSEMOUNT
 PRODUCT SHEETS FOR
 PRODUCT SPECIFICATIONS.
 CLICK HERE

3RD ANGLE SIZE D SCALE NTS

EMERSON

TITLE ROSEMOUNT 802 WIRELESS
 TYPE I DRAWING

DR. J. ARMSTRONG 10/22/23 DRAWING NO. 00802-7000

APP'D R. LINDSEY 10/22/23

CAD MAINTAINED (PRO/E) SHEET 2 OF 2