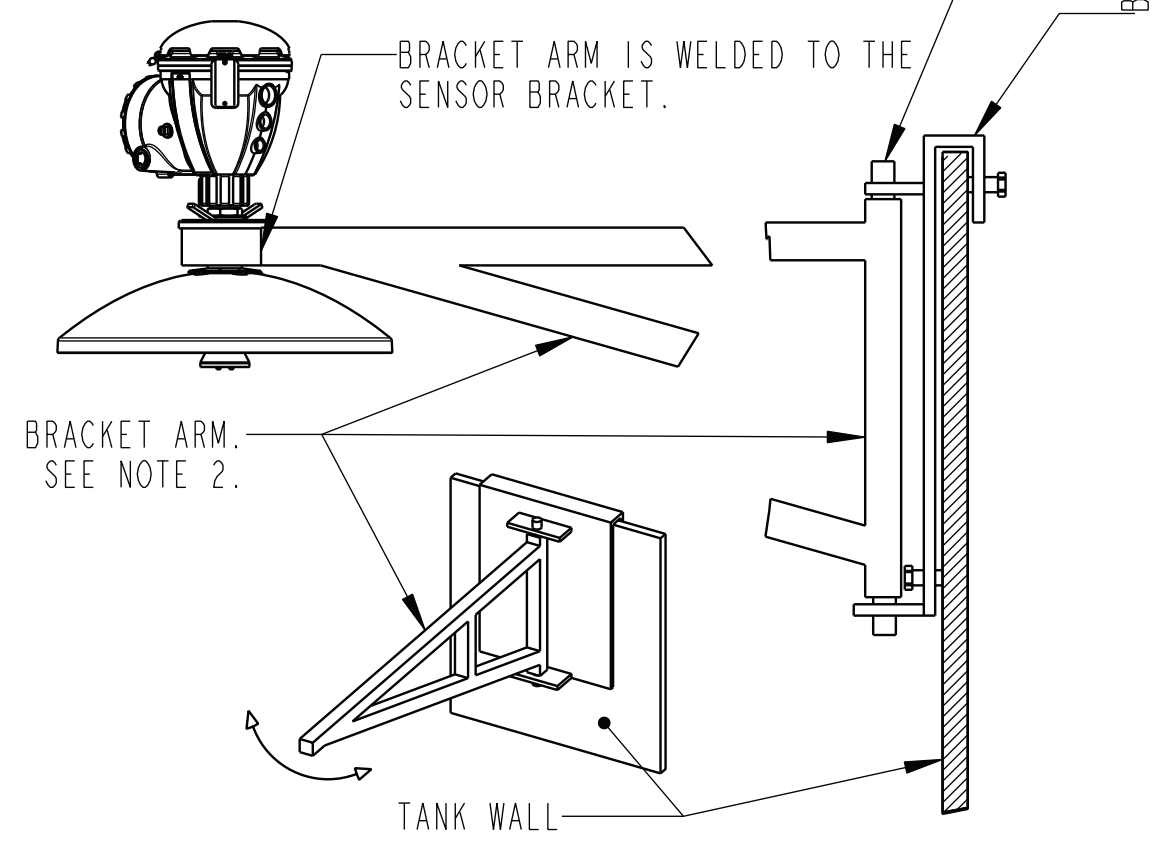
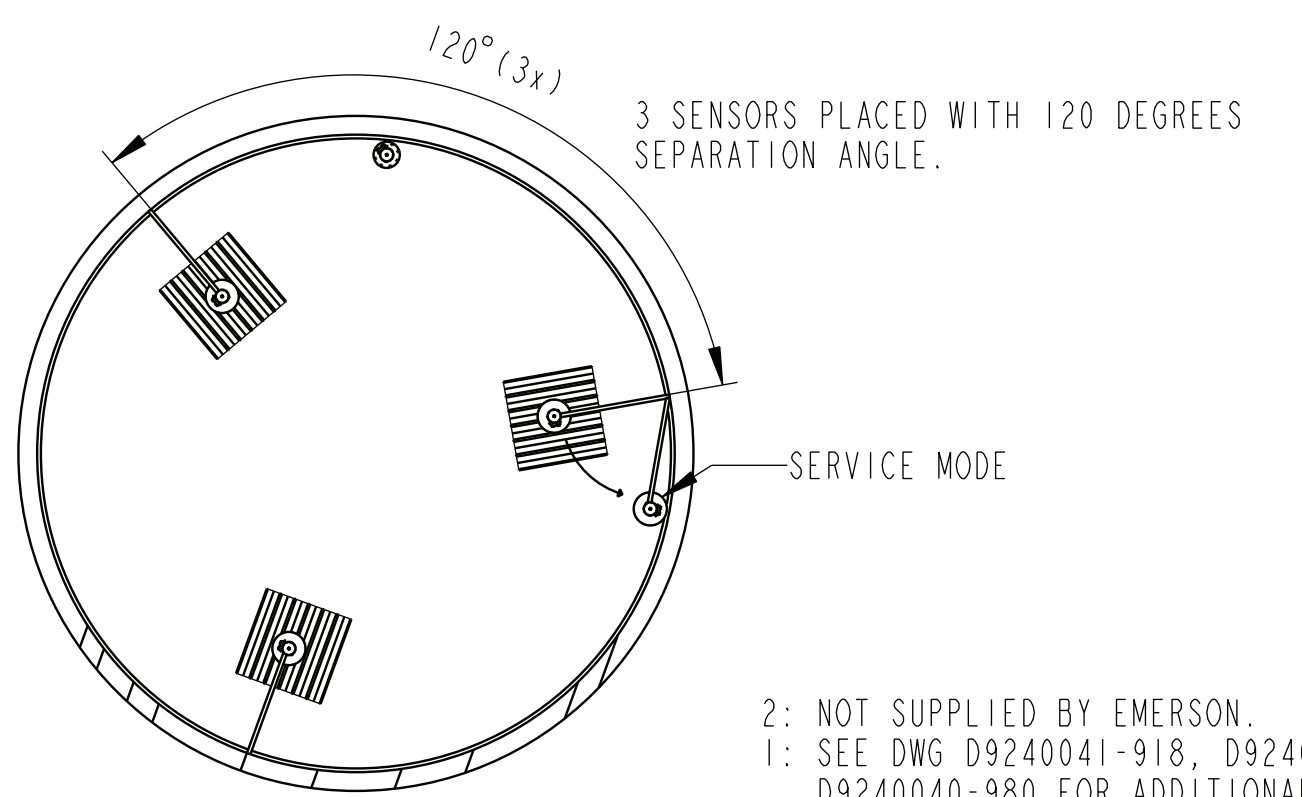
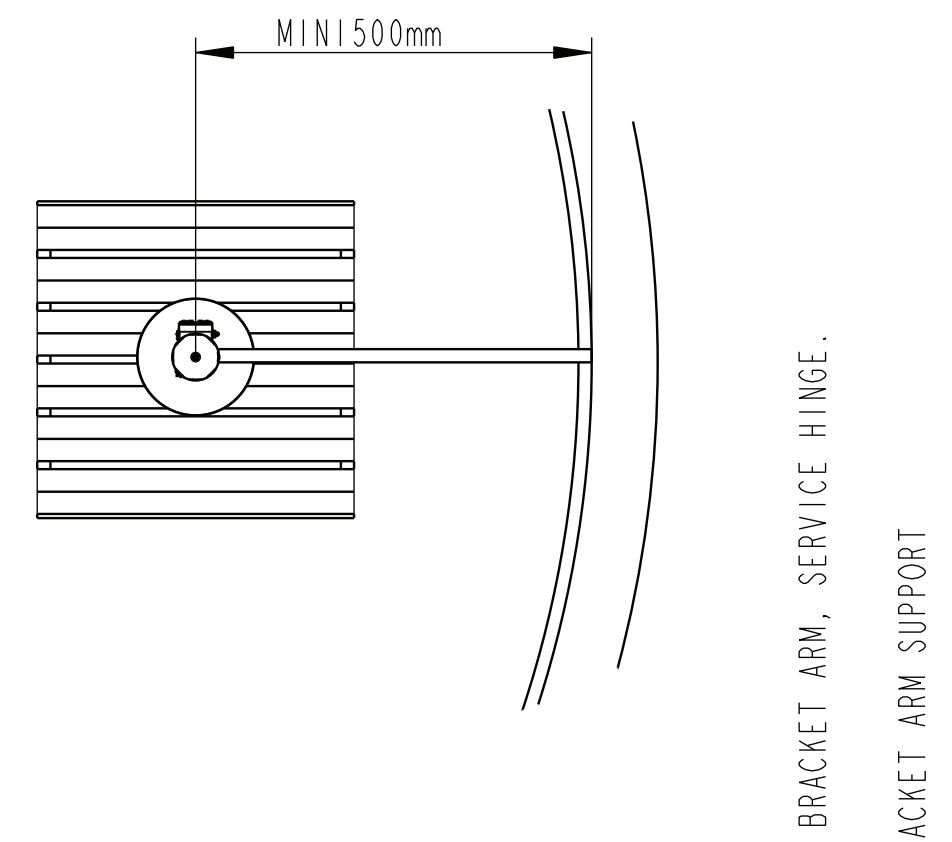
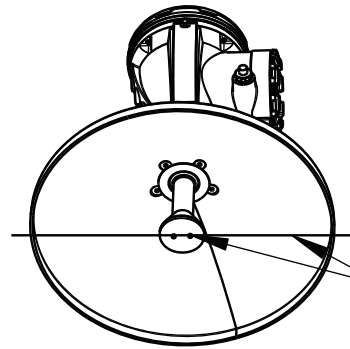


SENSORS MUST BE PLACED DIRECTLY ABOVE THE REFLECTOR PLATE

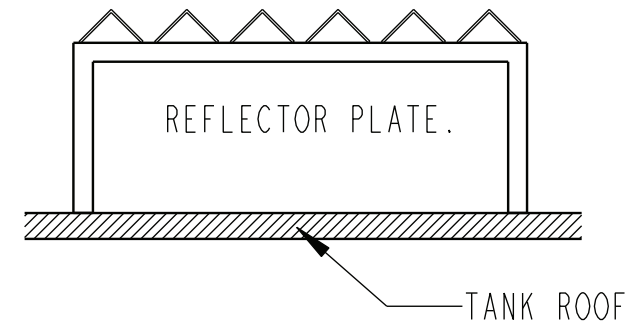


2: NOT SUPPLIED BY EMERSON.  
 1: SEE DWG D9240041-918, D9240041-919 AND D9240040-980 FOR ADDITIONAL DETAILS REGARDING THE PARABOLIC ANTENNA.

ISSUED BY EMe-PB	DRAWN WEEK 1802	PRODUCT CODE -	 LAYOUTVÄGEN 1, 435 33 MÖLNLYCKE, SWEDEN
APPROVED BY EMe-MH	APP'D WEEK 1804	DOCUMENT TYPE 02	
ORIGINAL DRAWING NO. D7000004-575	SIZE A3	1 ST ANGLE 	SCALE -
CAD MAINTAINED, (PRO/E)	DO NOT SCALE PRINT		INSTALLATION DRAWING TITLE FLOATING ROOF MOUNTING-SHELL MOUNTED.
THE COPYRIGHT/OWNERSHIP OF THIS DOCUMENT IS AND WILL REMAIN OURS. THE DOCUMENT MUST NOT BE USED WITHOUT AUTHORIZATION OR BROUGHT TO THE KNOWLEDGE OF A THIRD PARTY. CONTRAVENTION WILL BE PROSECUTED. ROSEMOUNT TANK RADAR AB, SWEDEN			DRAWING NO. D7000004-575
			ISSUE SHEET 01 1/2

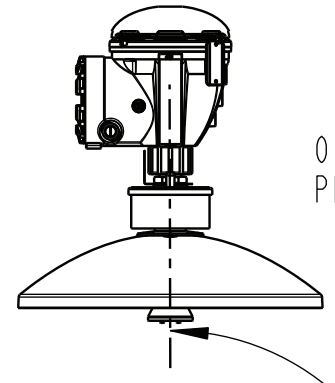


ORIENTATION OF THE FEEDER ANTENNA SCREW.



REFLECTOR PLATE.

TANK ROOF



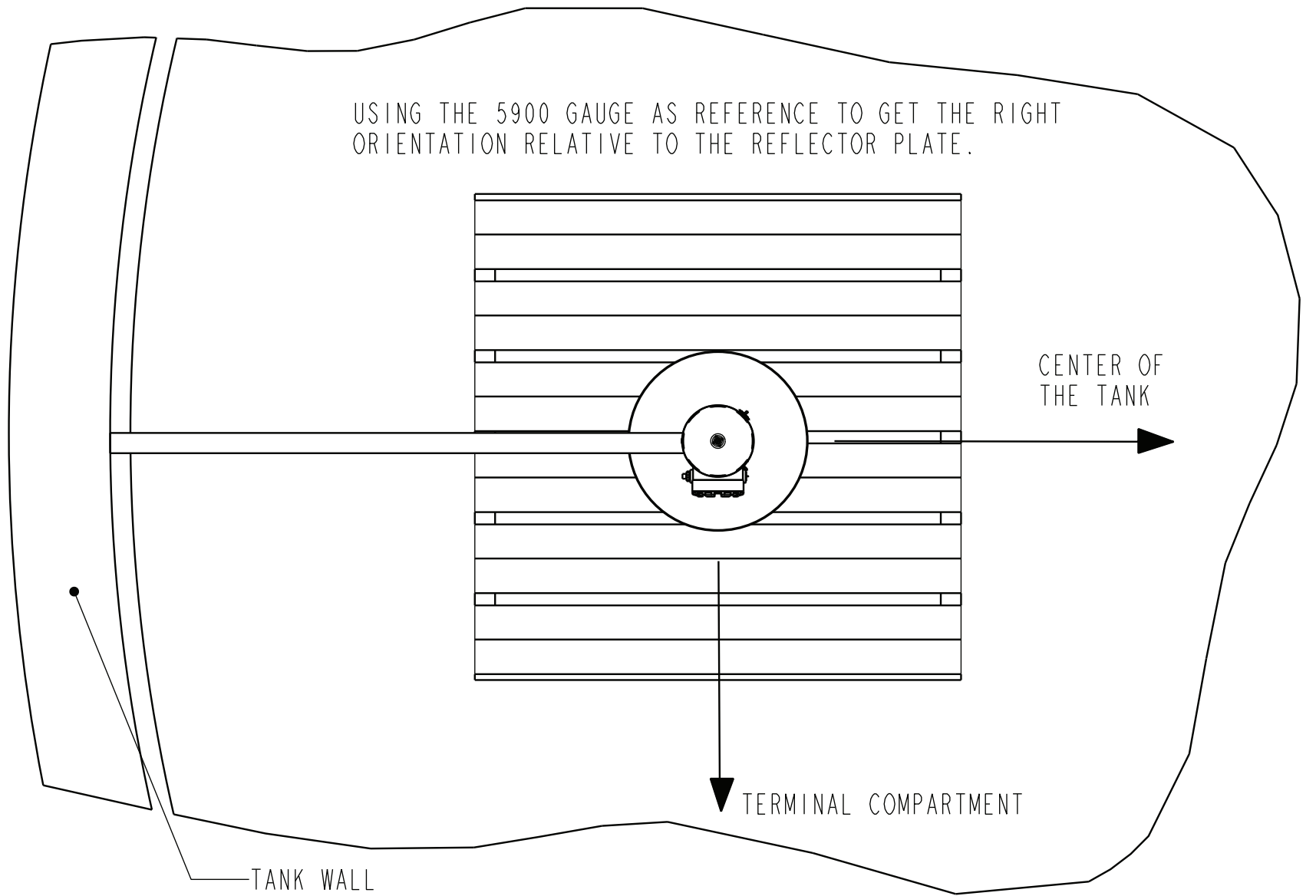
0° INCLINATION FOR BEST PERFORMANCE.



REFLECTOR PLATE.

TANK ROOF

CORRECT ORIENTATION OF THE ANTENNA FEEDER SCREWS.

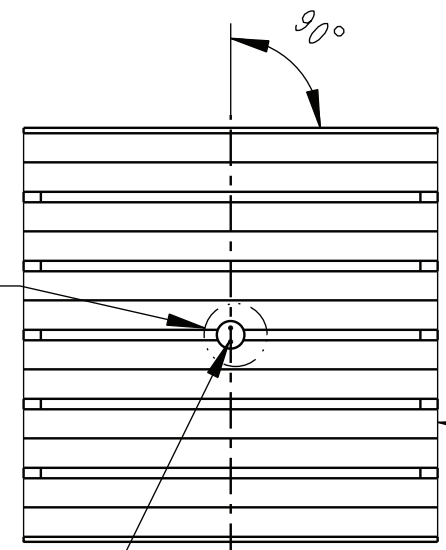


USING THE 5900 GAUGE AS REFERENCE TO GET THE RIGHT ORIENTATION RELATIVE TO THE REFLECTOR PLATE.

CENTER OF THE TANK

TERMINAL COMPARTMENT

TANK WALL

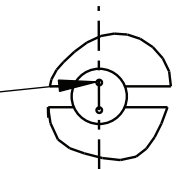


USE THE FEEDER TO GET THE RIGHT ORIENTATION RELATIVE TO THE REFLECTOR PLATE.

CENTER OF THE TANK

REFLECTOR PLATE

SEE DETAIL D



DETAIL D

ISSUED BY EMe-PB	DRAWN WEEK 1802	PRODUCT CODE -		LAYOUTVÄGEN 1, 435 33 MÖLNLYCKE, SWEDEN	
APPROVED BY EMe-MH	APP'D WEEK 1804	DOCUMENT TYPE 02		INSTALLATION DRAWING TITLE	
ORIGINAL DRAWING NO. D7000004-575	SIZE A3	1 ST ANGLE 	SCALE -	FLOATING ROOF MONTING-SHELL MOUNTED.	
CAD MAINTAINED, (PRO/E)	DO NOT SCALE PRINT			DRAWING NO.	ISSUE SHEET
THE COPYRIGHT/OWNERSHIP OF THIS DOCUMENT IS AND WILL REMAIN OURS. THE DOCUMENT MUST NOT BE USED WITHOUT AUTHORIZATION OR BROUGHT TO THE KNOWLEDGE OF A THIRD PARTY. CONTRAVENTION WILL BE PROSECUTED. ROSEMOUNT TANK RADAR AB, SWEDEN				D7000004-575	01 2/2

2018-04-17 Electronic Master - Printed Copies Uncontrolled - Emerson Proprietary