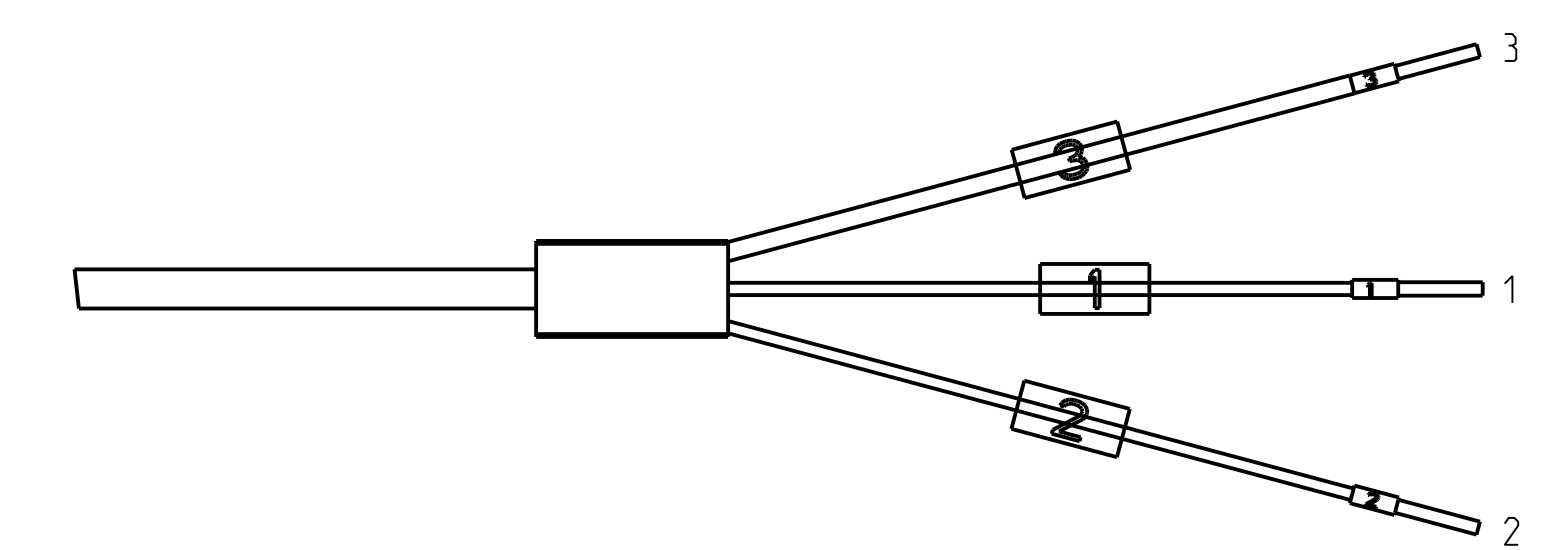
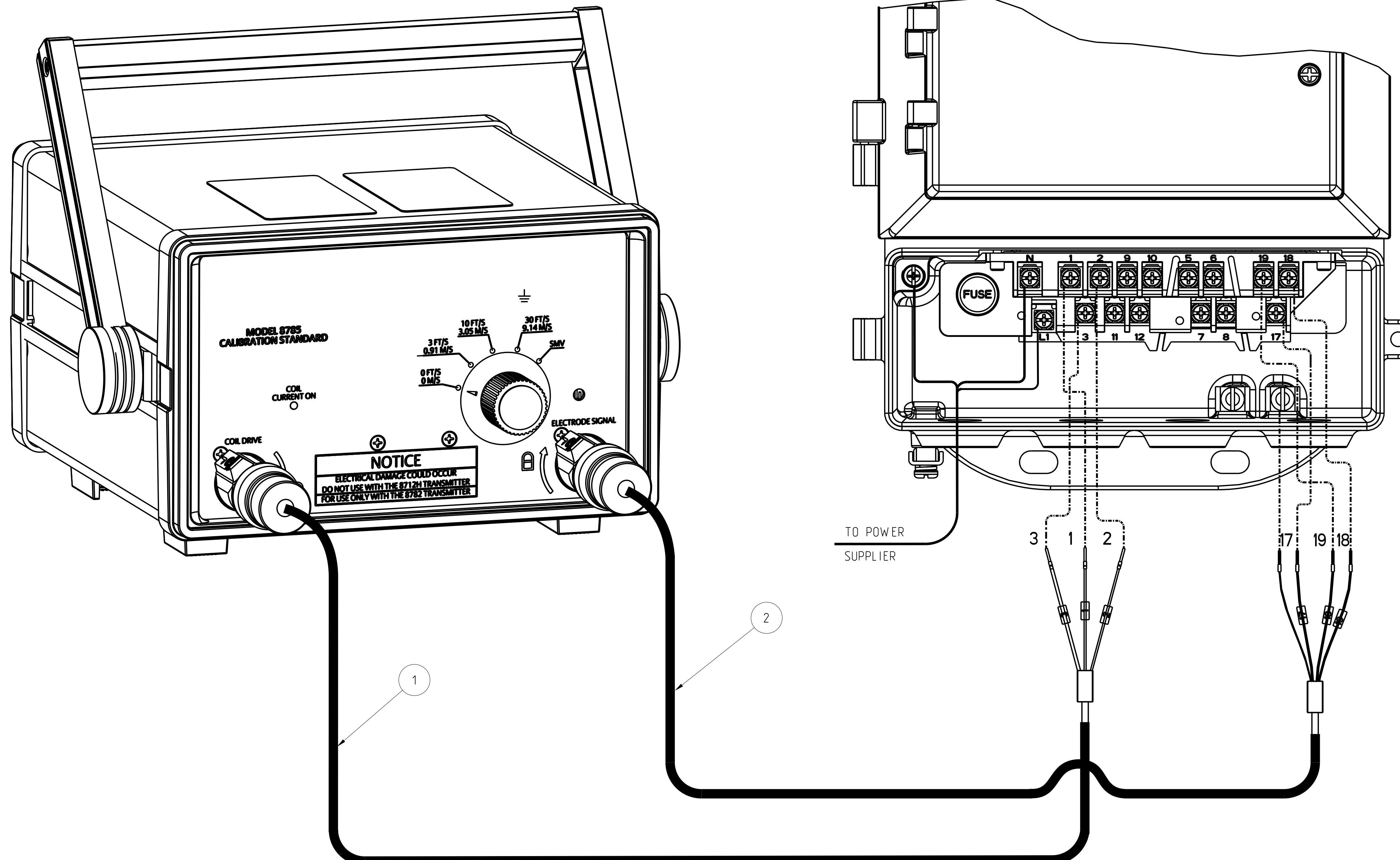


THIS SHEET FOR 8785 WITH 8782 TRANSMITTER WIRING USING THE INTERCONNECTING CABLES

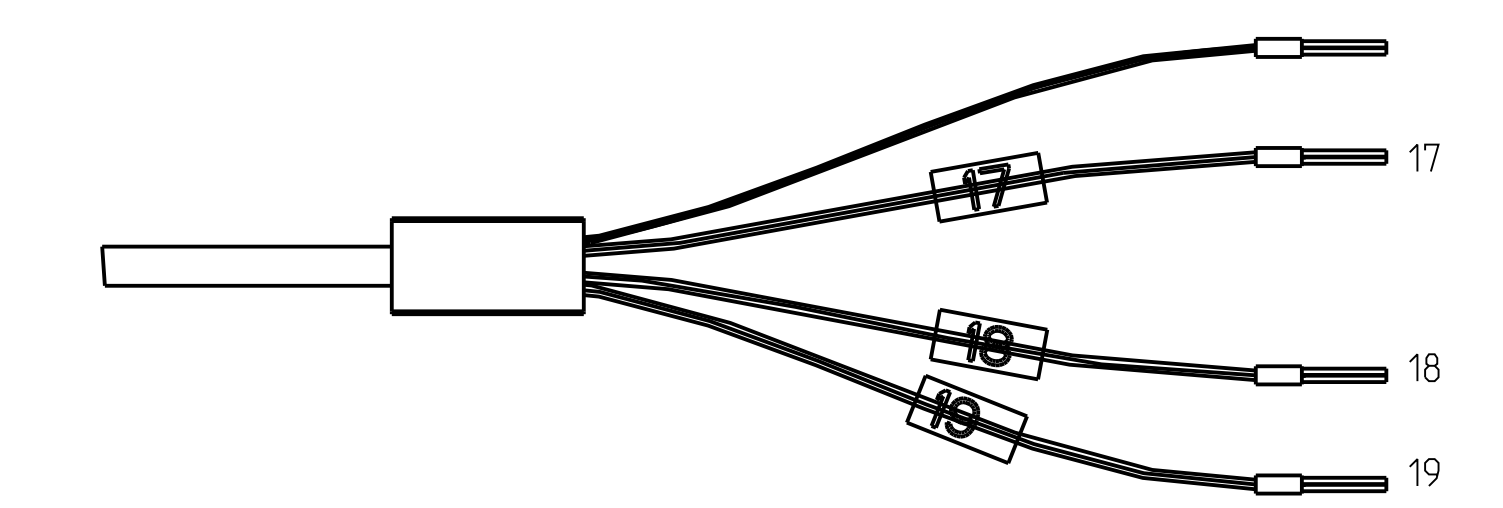
REVISION TABLE			
REVISION	ECO NO.	APP'D	DATE
AA		A.L	5/26/23
DESCRIPTION			
INITIAL RELEASE			



COIL CABLE

Table 1

COIL			
CONDUCTOR INSULATION COLOR	CONNECTOR PIN	FUNCTION	TERMINAL NUMBER
BLUE	N	COIL(-)	2
RED	L	COIL(+)	1
DRAIN	⊕	SHIELD	3



ELECTRODE CABLE

Table 2

ELECTRODE			
CONDUCTOR INSULATION COLOR	CONNECTOR PIN	FUNCTION	TERMINAL NUMBER
DRAIN	⊕	SHIELD	
BLACK	⊕	SHIELD	17
YELLOW	N	ELECTRODE(-)	18
WHITE	L	ELECTRODE(+)	19

Table 3 : Calibration Standard wiring to transmitter terminals

8785 Calibration Standard	8782 Transmitter terminal	
Coil Drive (BLUE PLUG)	Red	1
	Blue	2
	Black	3
Electrode (GRAY PLUG)	Drain	Drain
	Black	17
	Yellow	18
	White	19

3. Make the cable connections to the transmitter as indicated in Table 3.
2. Twist the connectors clockwise to lock them into place. When the connector is fully locked into place, the lock symbol is visible on the calibration standard face plate.
1. Insert the gray cable ⊕ end into the gray receptacle marked "ELECTRODE SIGNAL" and the blue cable ⊕ end into the blue receptacle marked "COIL DRIVE" on the calibration standard.

DRAWING NO. 08785-1504

CONFIDENTIAL AND PROPRIETARY INFORMATION IS CONTAINED HEREIN AND MUST BE HANDLED ACCORDINGLY.	SURFACE FINISH UNLESS OTHERWISE SPECIFIED ✓	125° 3RD ANGLE	SIZE D	SCALE 1/1	REV AA
UNLESS OTHERWISE SPECIFIED DIMENSIONS IN INCHES (mm). REMOVE ALL BURRS AND SHARP EDGES.		EMERSON ROSEMOUNT			
-DEC TOLERANCES- .X ± (2.5) .XX ± (0.5) .XXX ± (0.25) FRACTIONS ± 1/32 ANGLES ± 2°		TITLE 8785 TRANSMITTER WIRING INSTALLATION DRAWING			
DR. DANDA.C		APP'D A.L	DATE 5/26/23	DRAWING NO. 08785-1504	
DO NOT SCALE PRINT	CAD MAINTAINED, (PRO/E)	PRODUCT CODE	DOC TYPE	SHEET 1 OF 1	