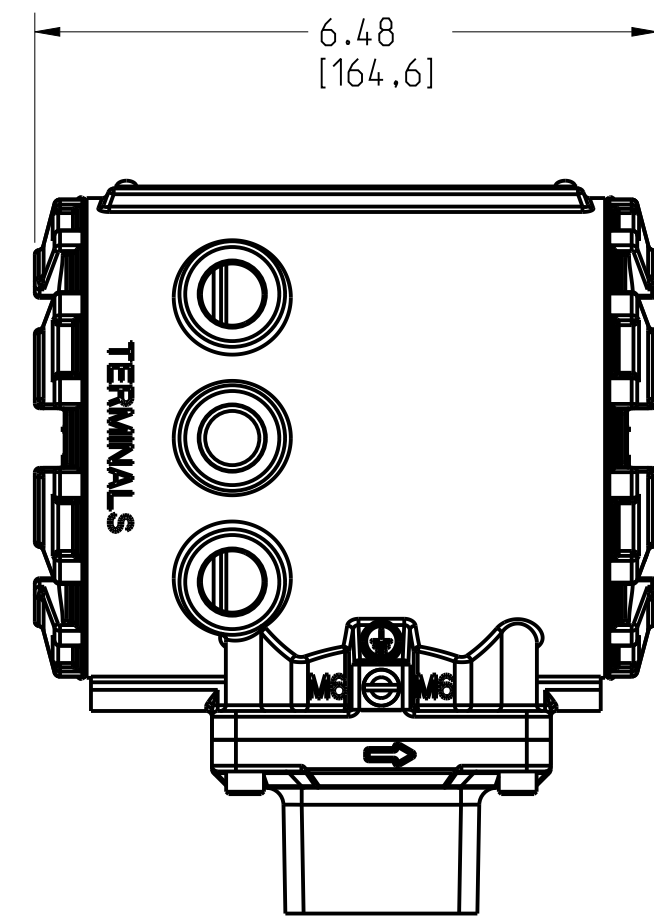
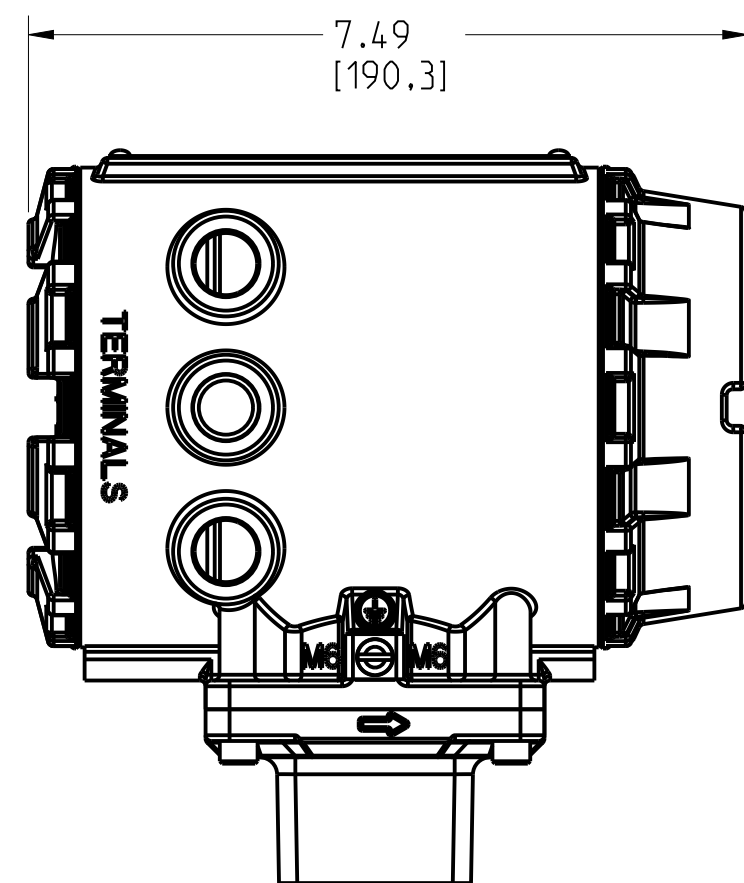


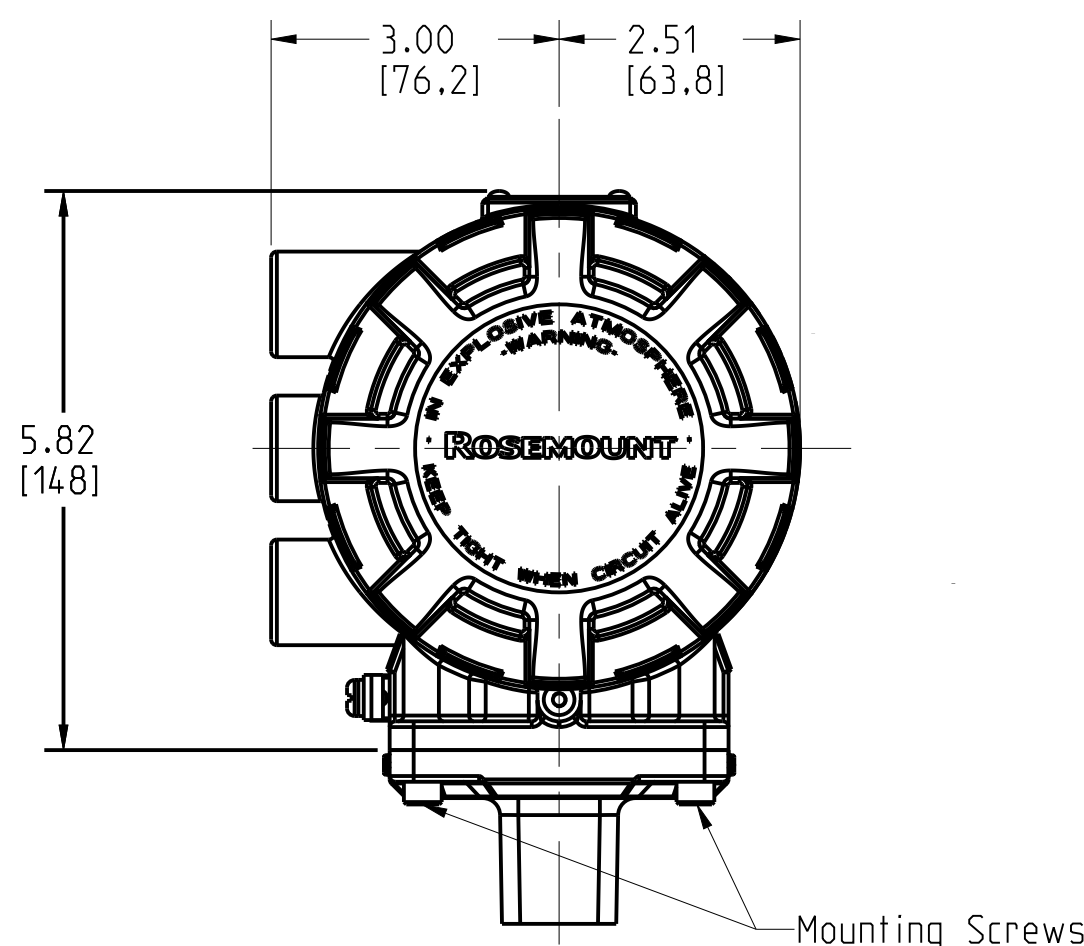
REVISION TABLE			
REVISION	ECO NO.	APP'D	DATE
AA		N.M.	5/18/2023
DESCRIPTION			
INITIAL RELEASE			



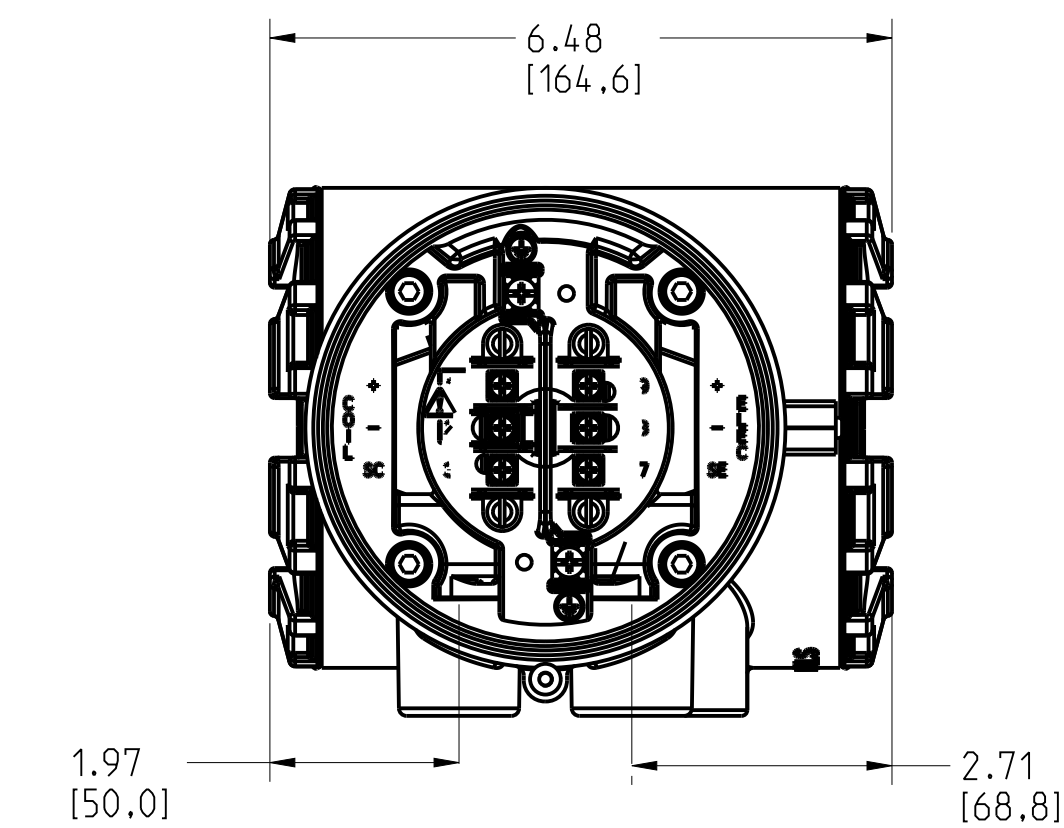
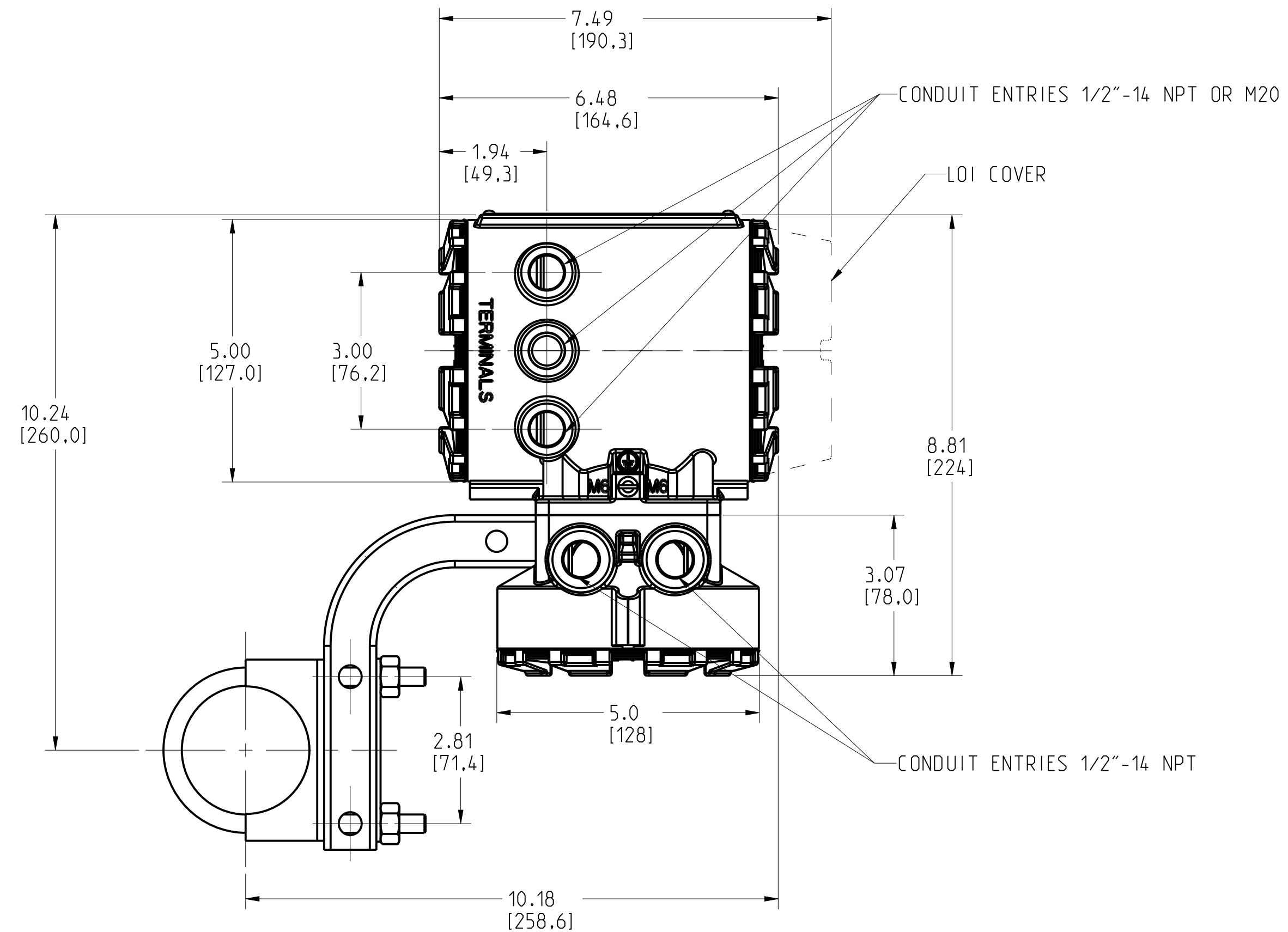
STANDARD COVER



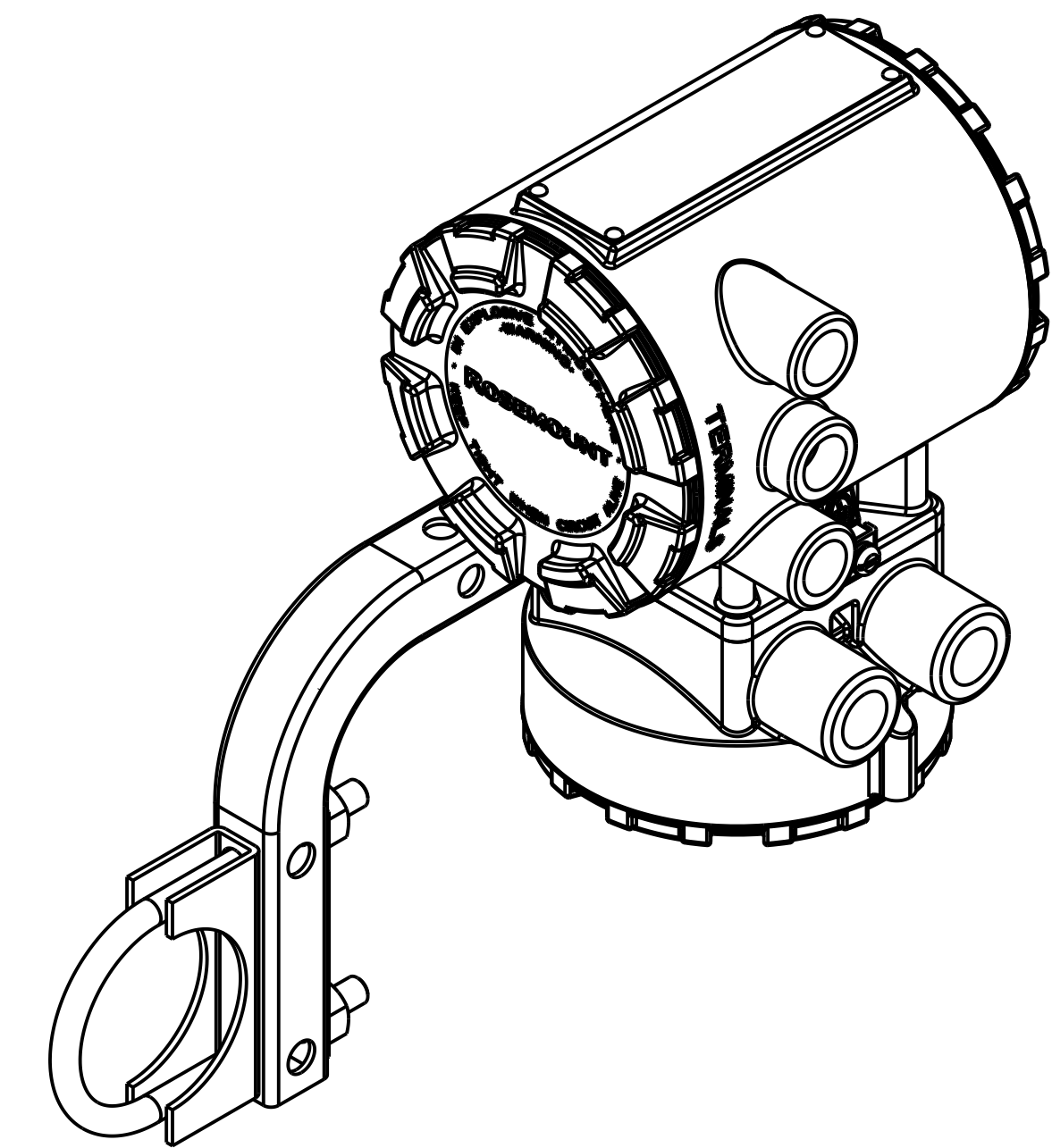
LOI COVER



INTEGRAL MOUNT



REMOTE MOUNT



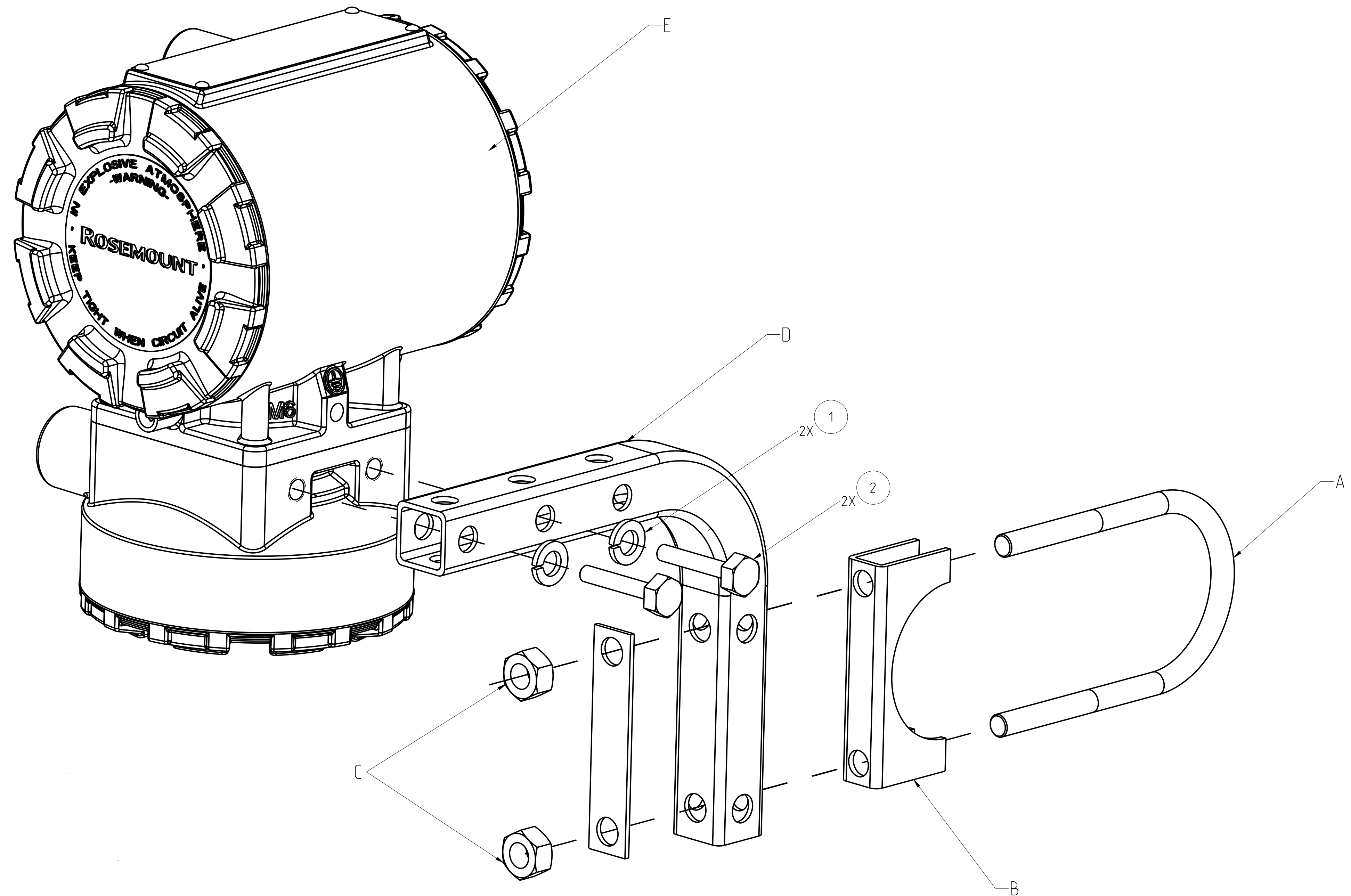
3. CONSULT PRODUCT MANUAL FOR DETAILED INFORMATION ON INSTALLATION, OPERATION OR MAINTENANCE. FAILURE TO DO SO COULD RESULT IN INJURY OR DAMAGE.

2. UPPER DIMENSIONS ARE IN INCHES. DIMENSIONS SHOWN IN BRACKETS ARE IN MILLIMETERS.

1. ROSEMOUNT CERTIFIES THAT THIS DRAWING IS IN ACCORDANCE WITH ROSEMOUNT ENGINEERING SPECIFICATIONS AND ACCURATELY REPRESENTS THE EQUIPMENT FURNISHED.

CONFIDENTIAL AND PROPRIETARY INFORMATION IS CONTAINED HEREIN AND MUST BE HANDLED ACCORDINGLY.	SURFACE FINISH UNLESS OTHERWISE SPECIFIED	125	3RD ANGLE	SIZE D	SCALE 1/2	REV AA
UNLESS OTHERWISE SPECIFIED DIMENSIONS IN INCHES (mm). REMOVE ALL BURRS AND SHARP EDGES.						
-DEC TOLERANCES-						
.X ± .1 (2.5)						
.XX ± .02 (0.5)						
.XXX ± .005 (0.25)						
FRACTIONS ± 1/32						
ANGLES ± 2°						
DO NOT SCALE PRINT						
CAD MAINTAINED, (PROV/E)						
PRODUCT CODE						
DOC TYPE						
SHEET 1 OF 2						
ROSEMOUNT				TITLE		
EMERSON				DIMENSIONAL DRAWING		
				08732 TRANSMITTER		
DR. JAMES LAGE		5/18/23		DRAWING NO.		
APP'D CHUCK S.		5/18/2023		08732-1124		

DRAWING NO. 08732-1124



- A. U-bolt
- B. Saddle clamp
- C. Fasteners
- D. Bracket
- E. Transmitter

NOTES:
 FOR SHIPPING, SCREWS AND WASHERS (FN 1,2) SHOULD BE TAPED TO BRACKET (D), AND U-BOLT(A), SADDLE CLAMP(B) BACKER, AND BRACKET (D) SHOULD BE ASSEMBLED TOGETHER.

CONFIDENTIAL AND PROPRIETARY INFORMATION IS CONTAINED HEREIN AND MUST BE HANDLED ACCORDINGLY.	SURFACE FINISH UNLESS OTHERWISE SPECIFIED	125	3RD ANGLE		SIZE D	SCALE 1/2	REV AA
ROSEMOUNT							
EMERSON							
TITLE DIMENSIONAL DRAWING 08732 TRANSMITTER							
UNLESS OTHERWISE SPECIFIED DIMENSIONS IN INCHES (mm). REMOVE ALL BURRS AND SHARP EDGES.		-DEC TOLERANCES-		DR. JAMES LAGE 5/18/23		DRAWING NO. 08732-1124	
.X ± .1 (2.5)	.XX ± .02 (0.5)	.XXX ± .005 (0.25)	FRACTIONS ± 1/32	ANGLES ± 2°	APP'D CHUCK S. 5/18/2023	DOC TYPE . SHEET 2 OF 2	

DRAWING NO. 08732-1124