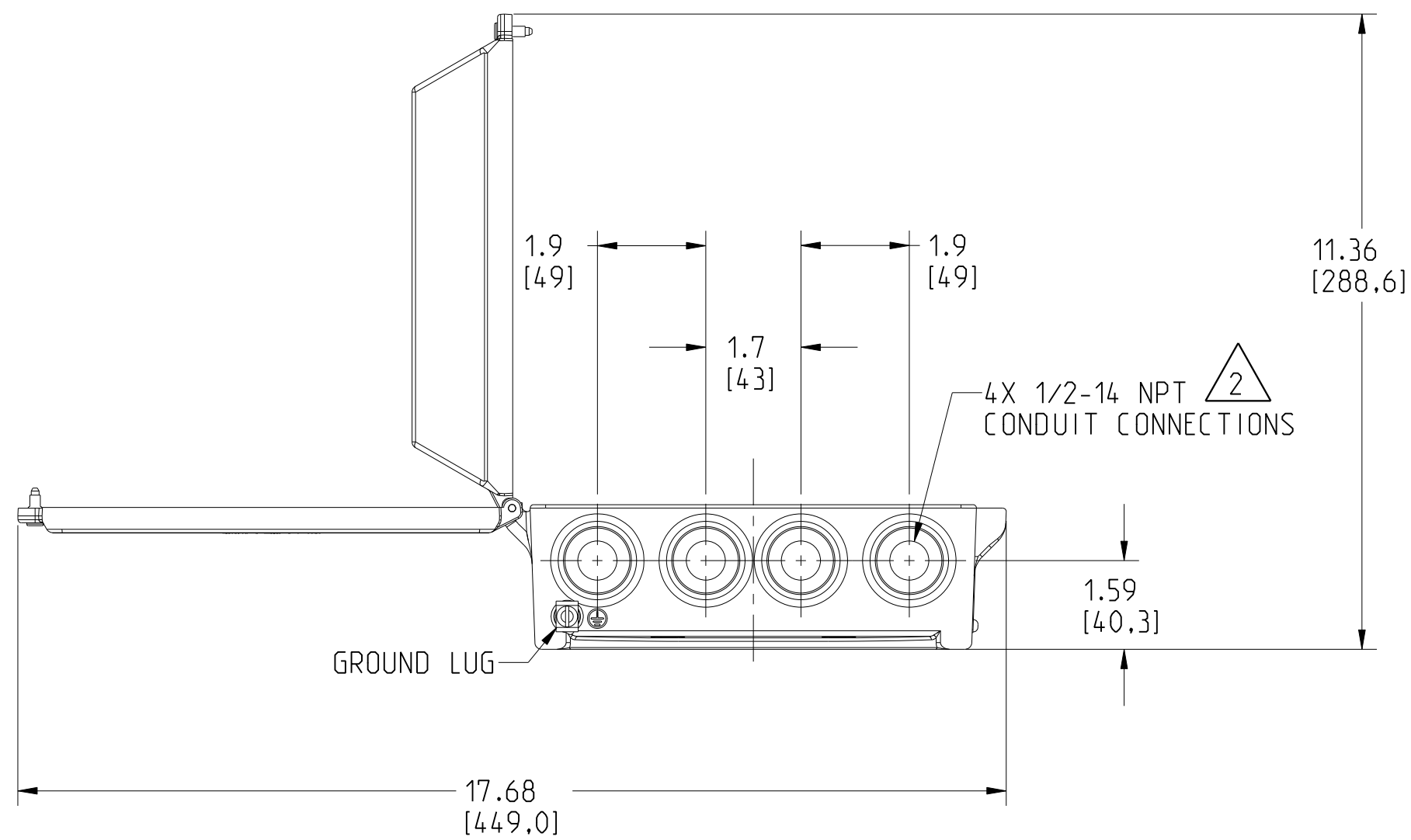
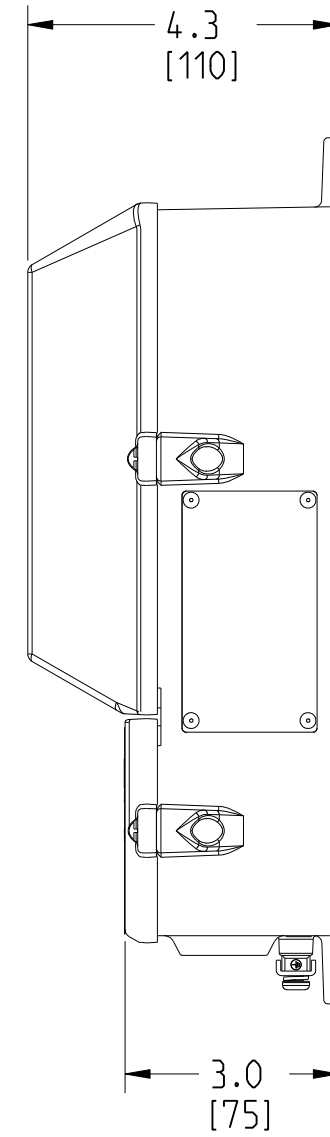
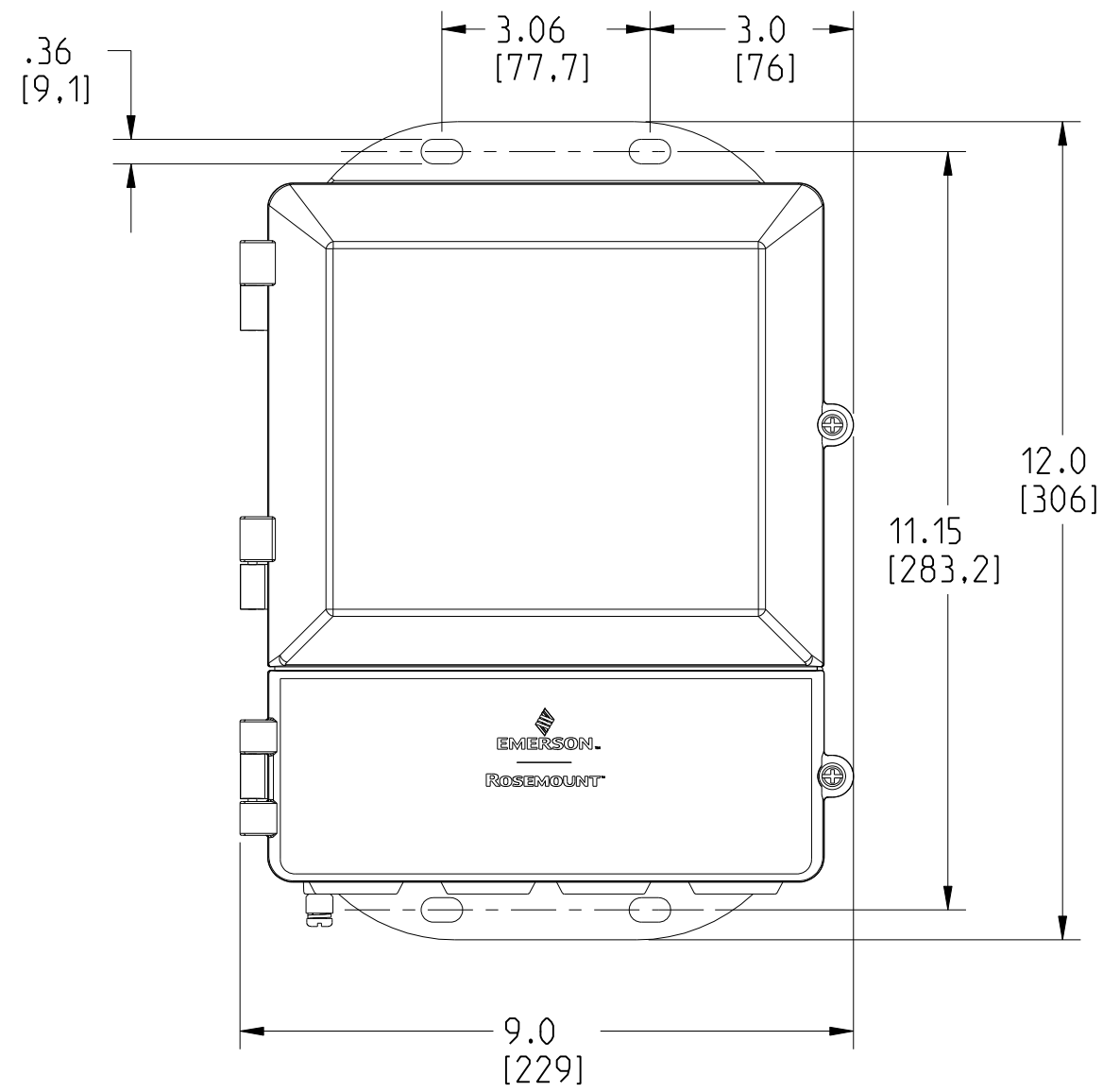
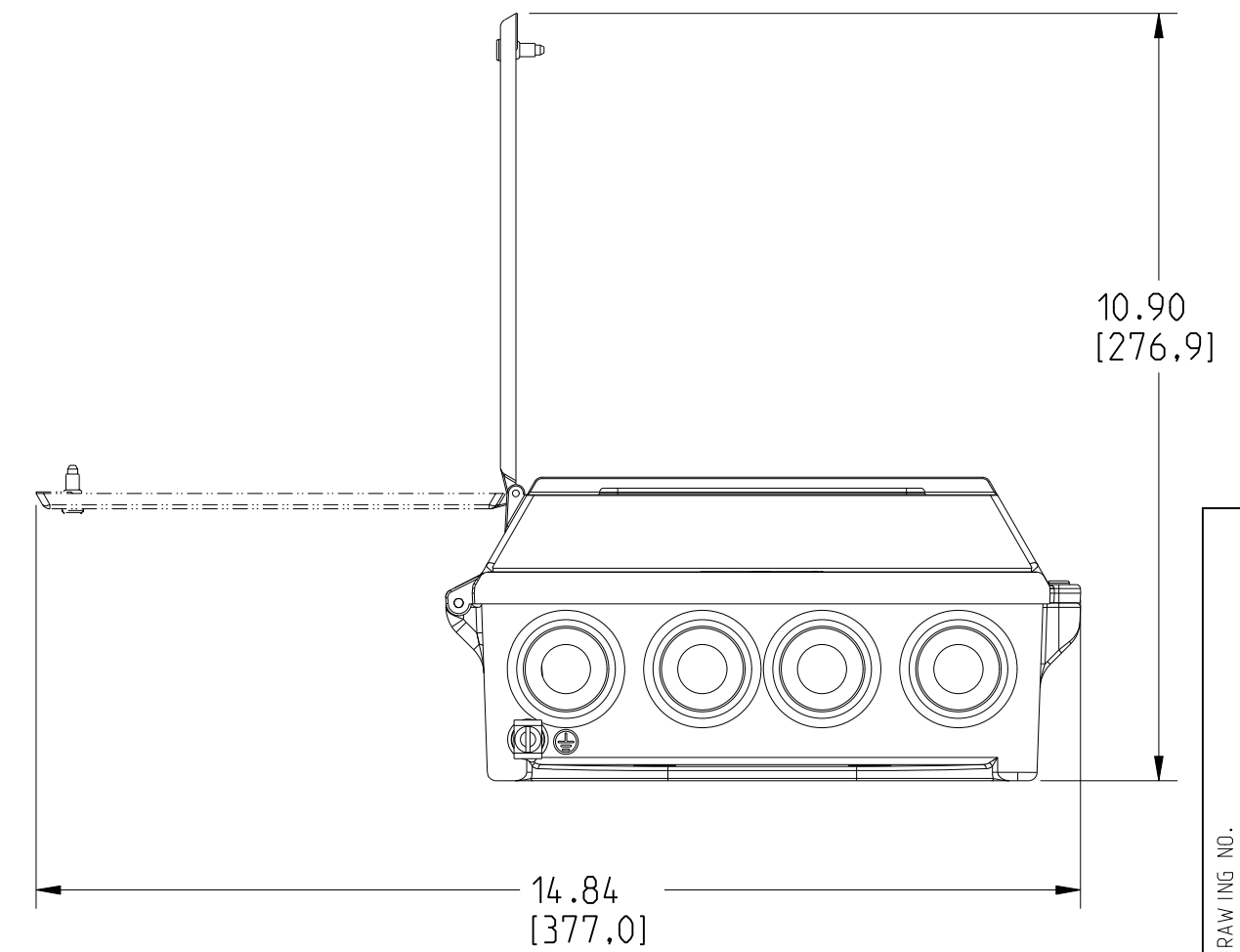
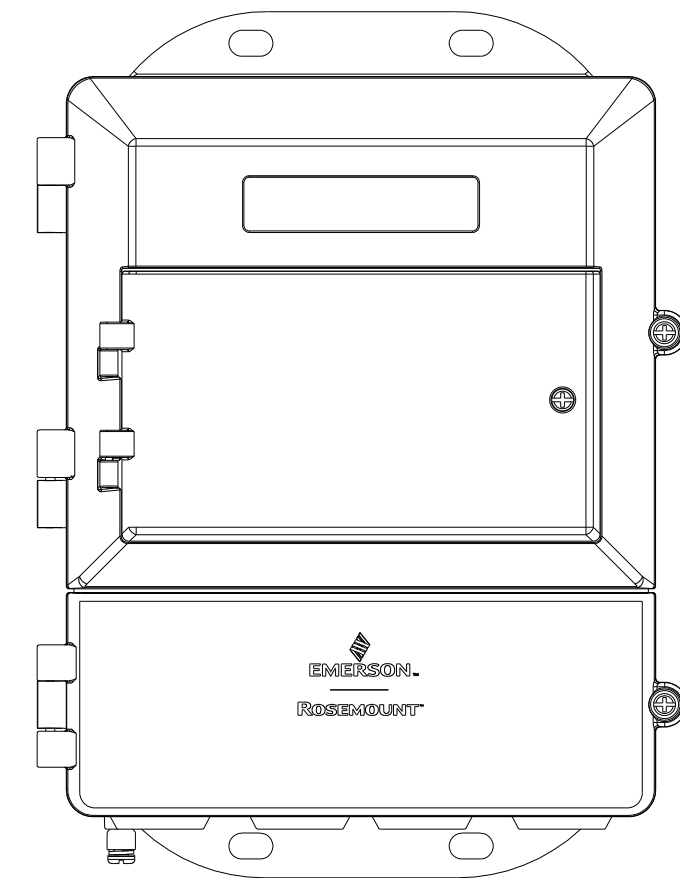


REVISION TABLE			
REVISION	ECO NO.	APP'D	DATE
AA	1133310	MJM	12/3/19
DESCRIPTION			
INITIAL RELEASE			

LOI KEYPAD  
COVER DETAIL  
(M4 OPTION)



4. CONSULT PRODUCT MANUAL FOR DETAILED INFORMATION ON INSTALLATION, OPERATION OR MAINTENANCE. FAILURE TO DO SO COULD RESULT IN INJURY OR DAMAGE.

3. UPPER DIMENSIONS ARE IN INCHES. DIMENSIONS SHOWN IN BRACKETS ARE IN MILLIMETERS

2. PLUG UNUSED CONDUIT HOLES

1. ROSEMOUNT CERTIFIES THAT THIS DRAWING IS IN ACCORDANCE WITH ROSEMOUNT ENGINEERING SPECIFICATIONS AND ACCURATELY REPRESENTS THE EQUIPMENT FURNISHED.

CONFIDENTIAL AND PROPRIETARY INFORMATION IS CONTAINED HEREIN AND MUST BE HANDLED ACCORDINGLY. ROSEMOUNT	SURFACE FINISH UNLESS OTHERWISE SPECIFIED	125/3RD ANGLE	SIZE C	SCALE NTS	REV AA
UNLESS OTHERWISE SPECIFIED DIMENSIONS IN INCHES (mm). REMOVE ALL BURRS AND SHARP EDGES.					
-DEC TOLERANCES- .X ± - [-] .XX ± - [-] .XXX ± - [-]	<b>TITLE</b> <b>DIMENSIONAL DRAWING,</b> <b>8782 TRANSMITTER</b>				
FRACTIONS ± - ANGLES ± -	DR. N. BOND	11/20/19	DRAWING NO. 08782-0124		
	APP'D M. MAYER	12/3/19			
DO NOT SCALE PRINT	CAD MAINTAINED. (PRO/E)	PRODUCT CODE	-	DOC TYPE	- SHEET 1 OF 1

DRAWING NO. 08782-0124