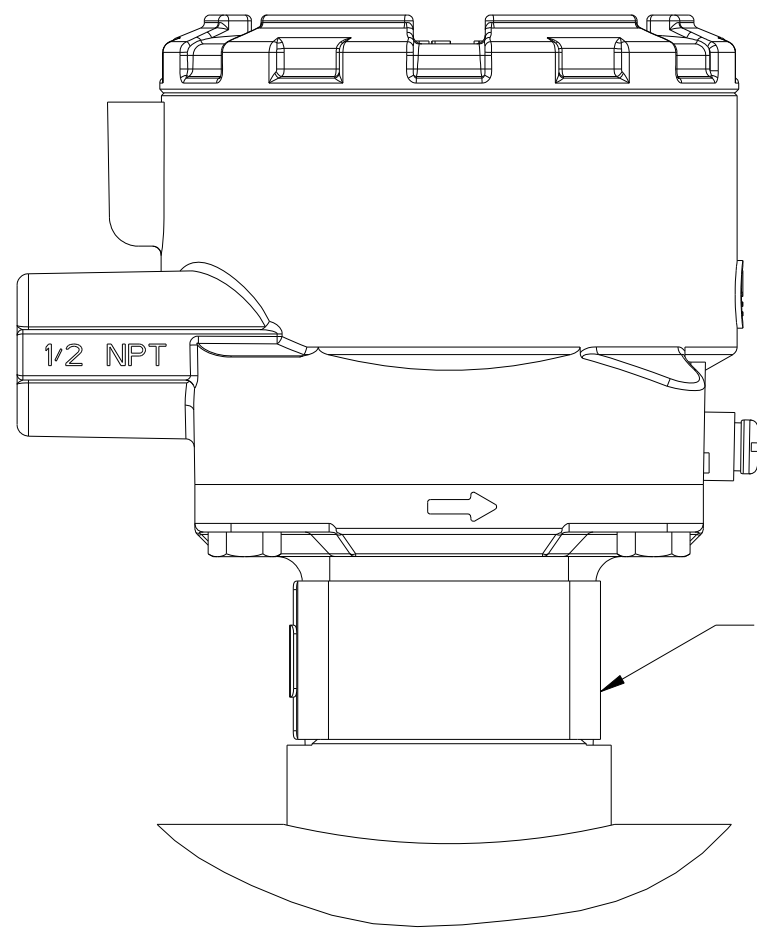
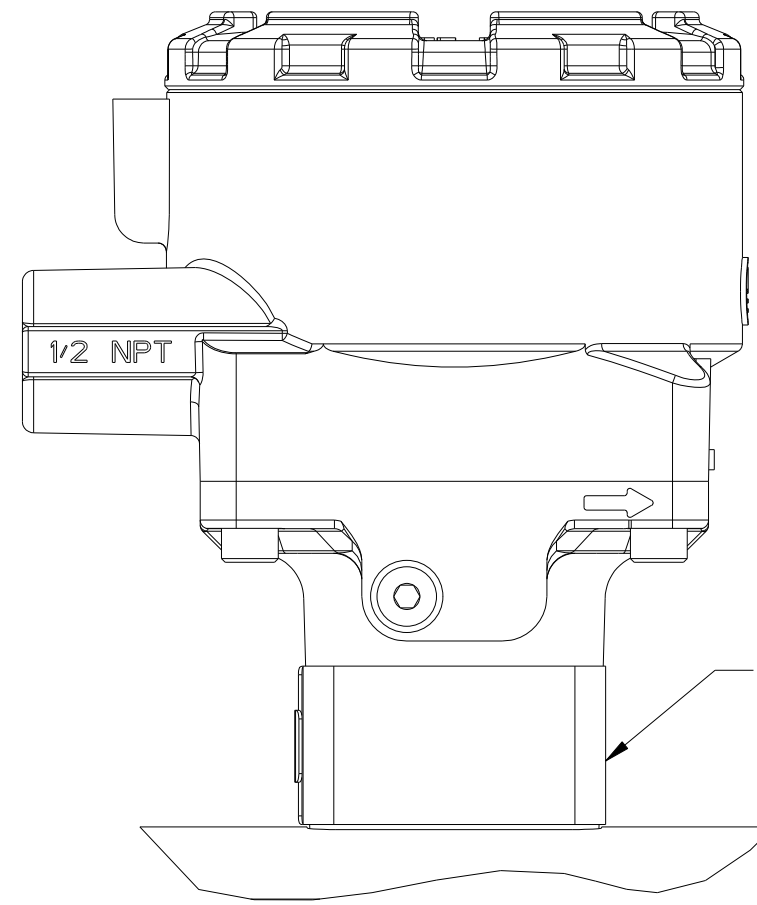


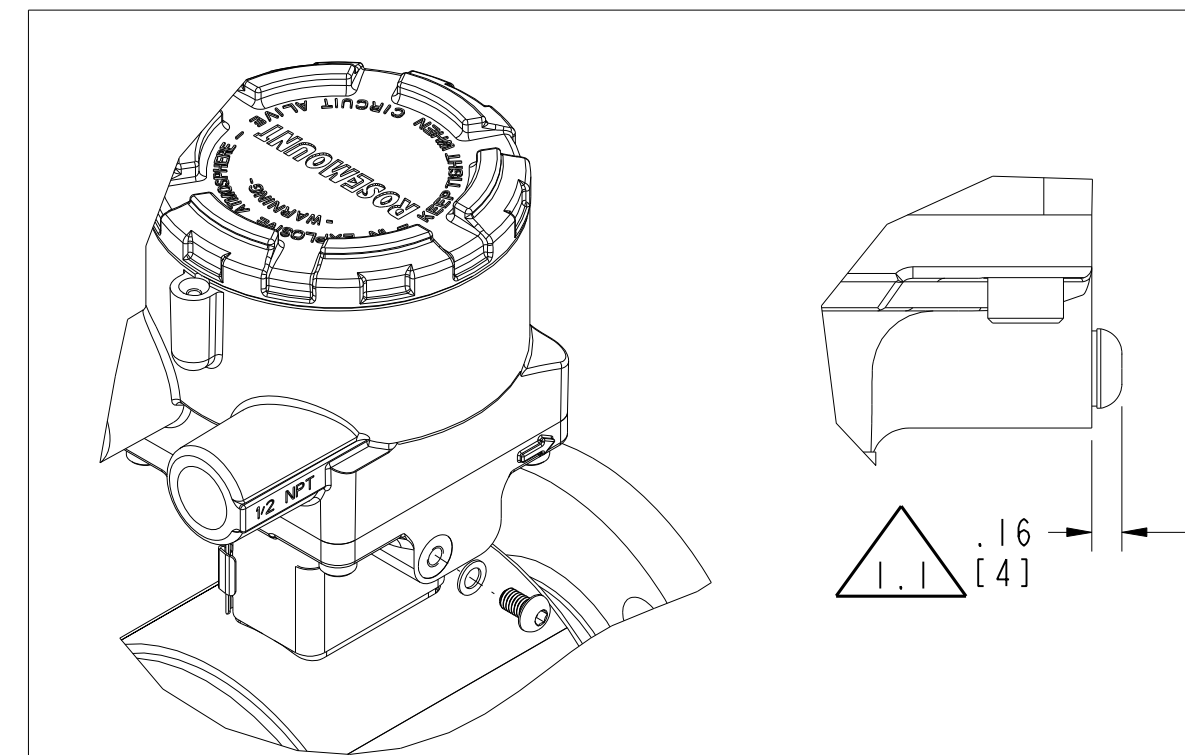
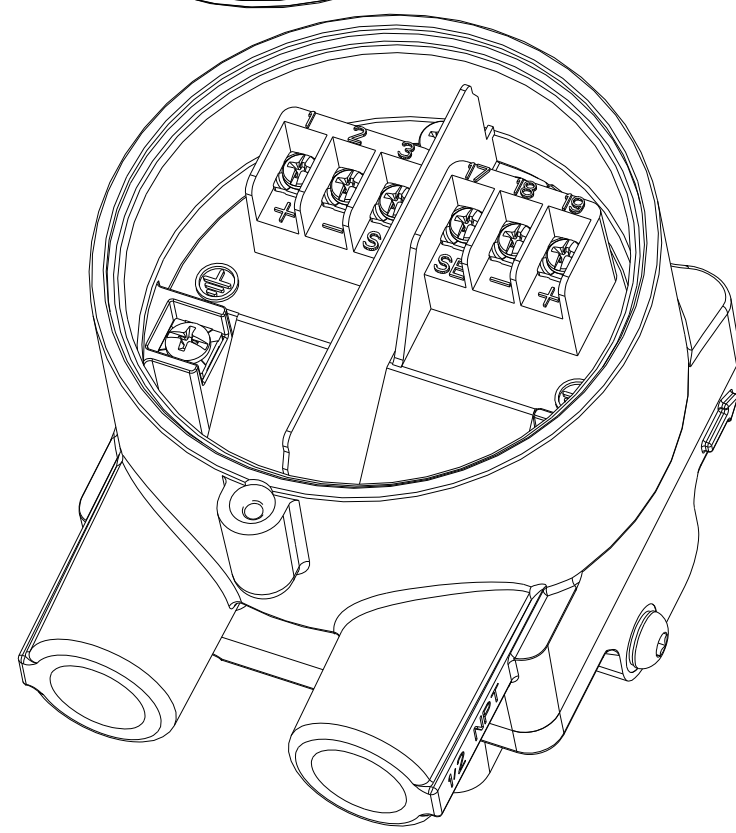
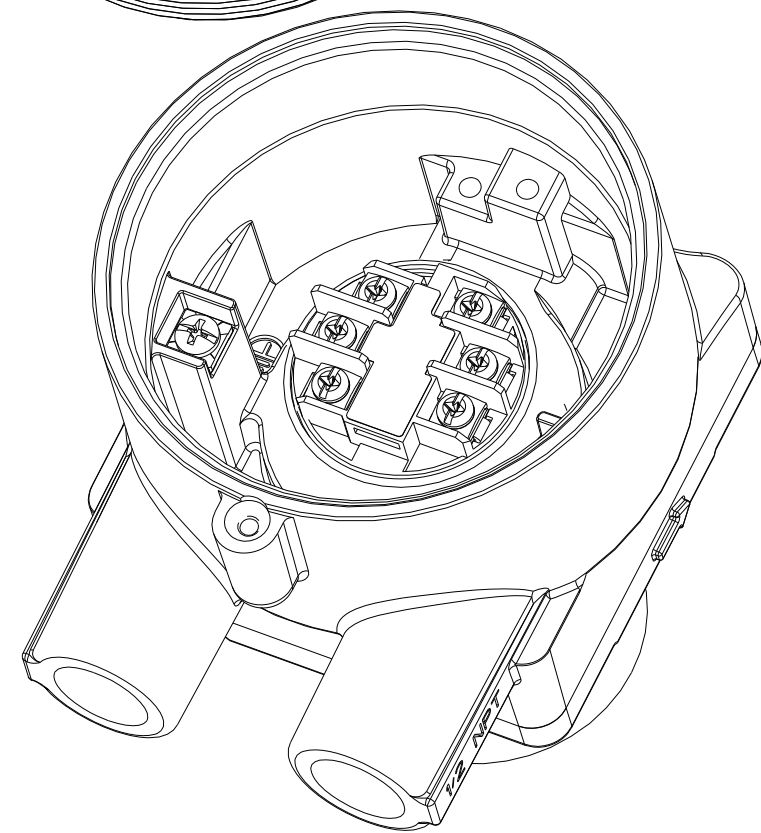
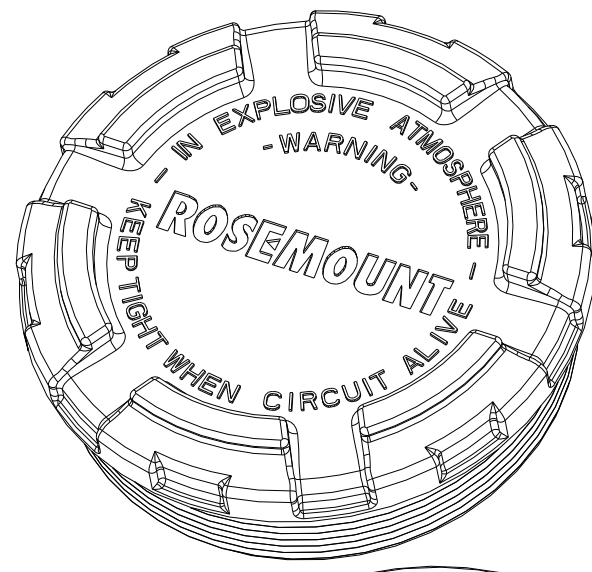
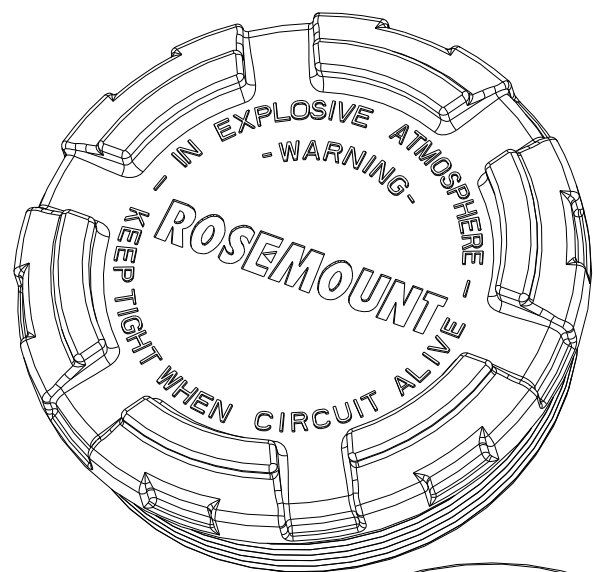
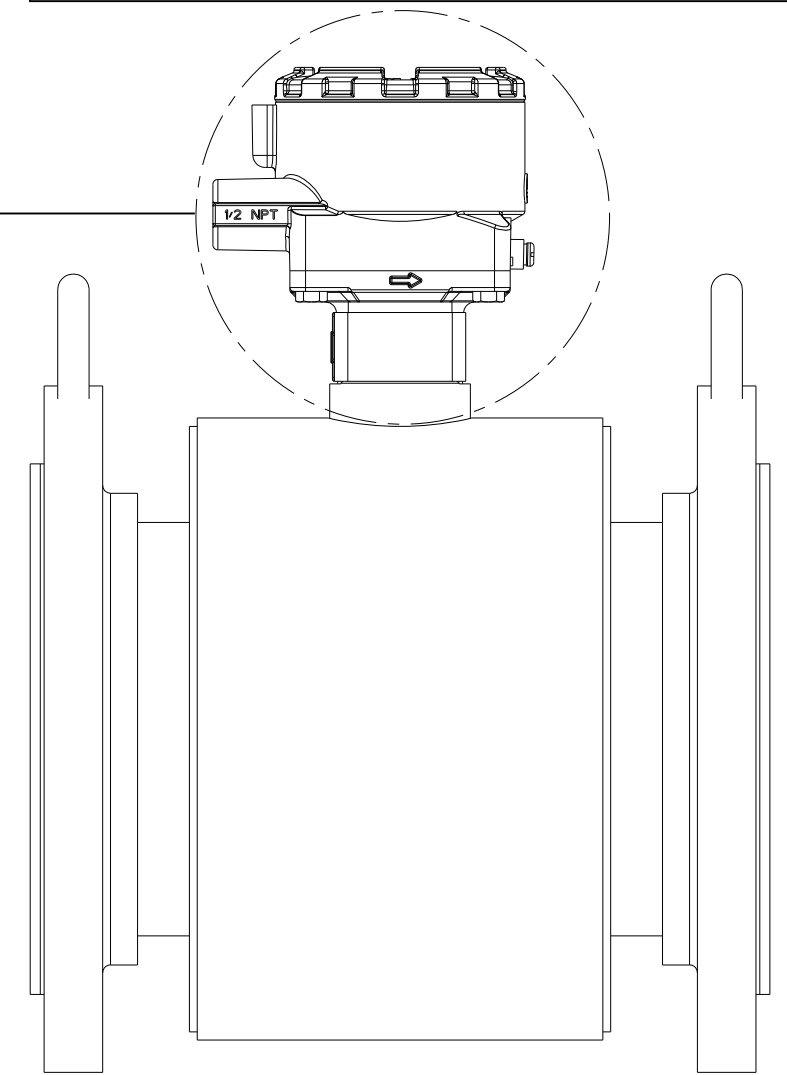
REVISION TABLE			
REVISION	ECO NO.	APP'D	DATE
AB	1127654	MJM	9/26/2019
DESCRIPTION			
REMOVED REFERENCE TO M1 FOR STYLE A. ADD STYLE 'A' AND STYLE 'B' DETAILS TO PAGE 1. MOVE M1 HOUSING DETAIL TO PAGE 1. UPDATE NOTE 2.1			



NAMEPLATE



NAMEPLATE



M1 HOUSING  
OPTION  
DETAIL

1.1 OPTIONAL RELIEF VALVE ASSEMBLY IS 1.75" [44,5].

STYLE A:  
ALUMINUM TUBE ADAPTER WITH  
INTEGRATED TERMINAL BLOCK  
(MSxxxxxxxxxxxxMONH Only)

STYLE B:  
WELDED SST TUBE ADAPTER WITH  
REMOVEABLE TERMINAL BLOCK.  
(ALL OTHER CONFIGURATIONS)

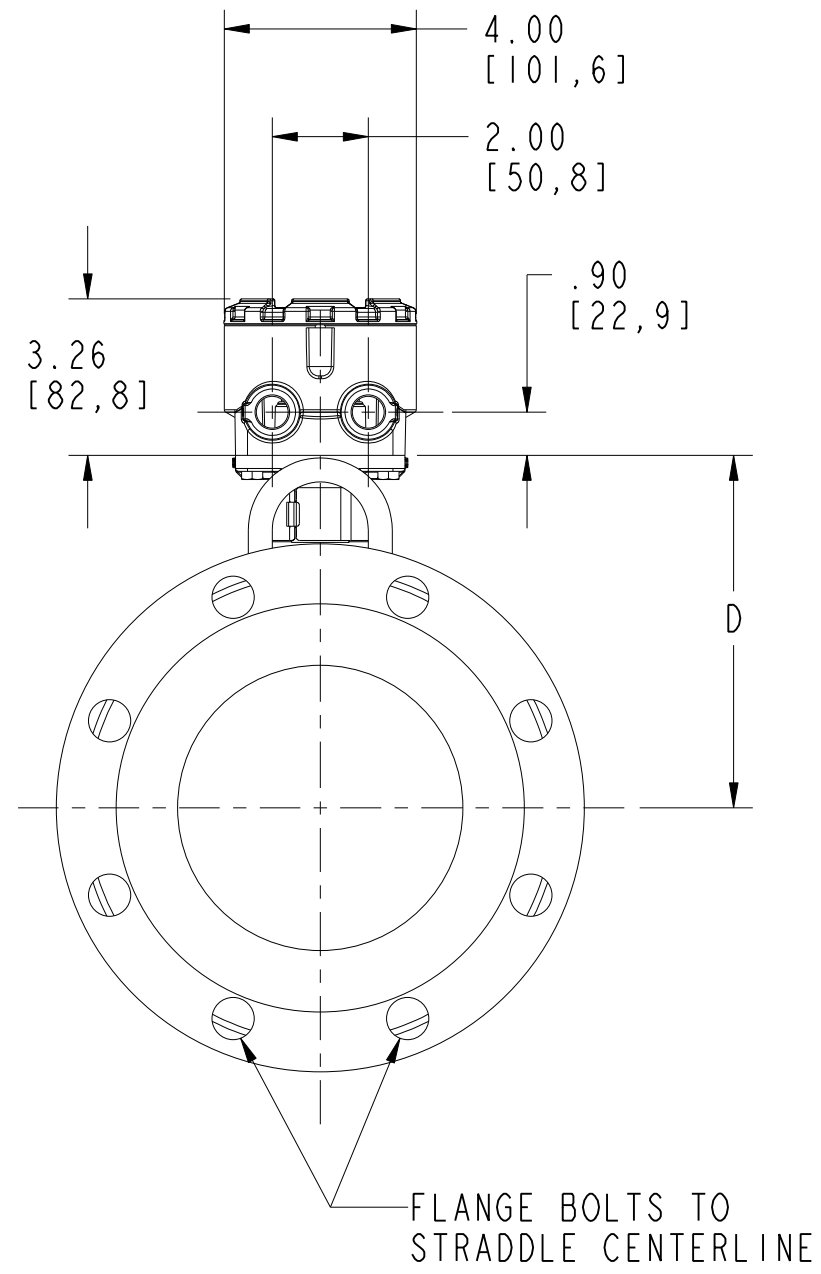
2. SEE DRAWING 000MS-0125 FOR HIGH PRESSURE FLANGES.

1. ROSEMOUNT CERTIFIES THAT THIS DRAWING IS IN ACCORDANCE WITH ROSEMOUNT ENGINEERING SPECIFICATIONS AND ACCURATELY REPRESENTS THE EQUIPMENT FURNISHED.

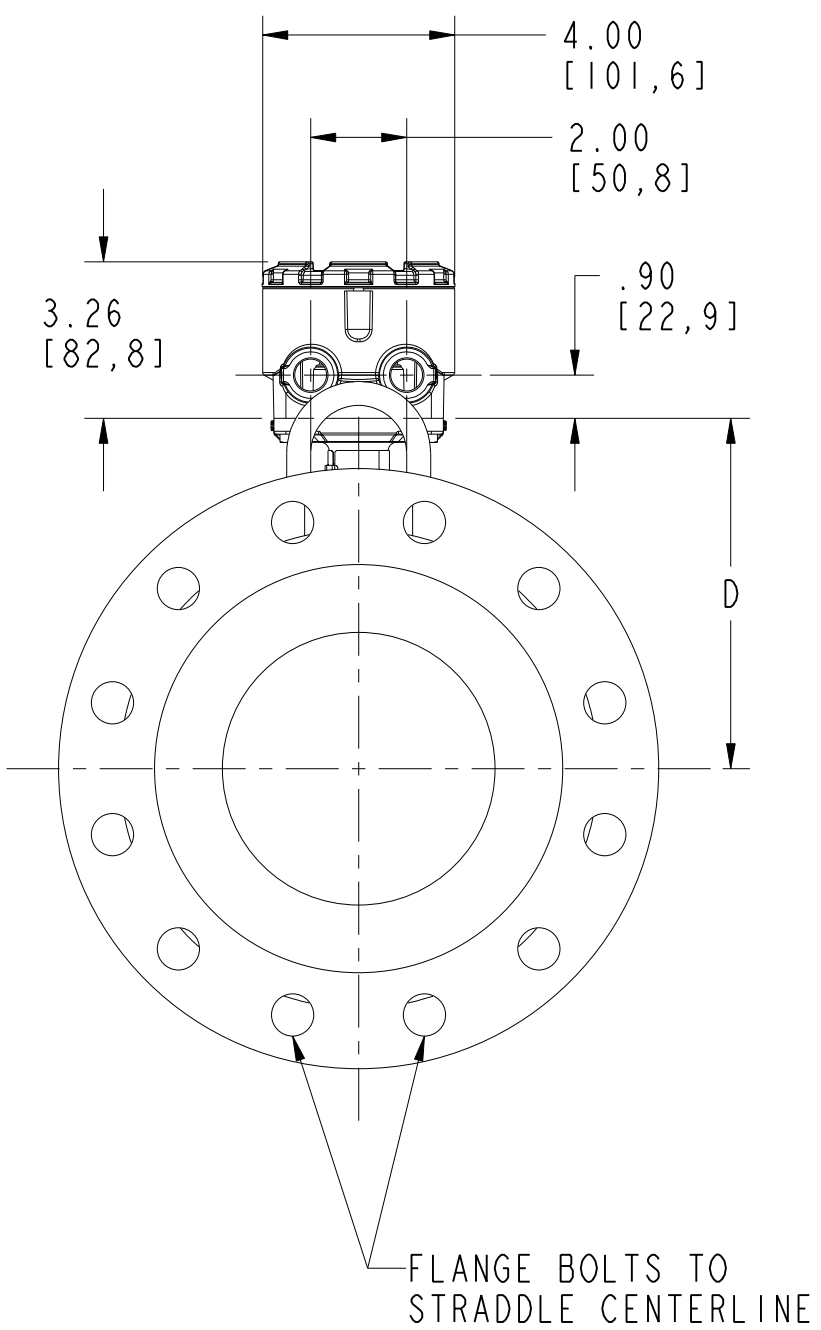
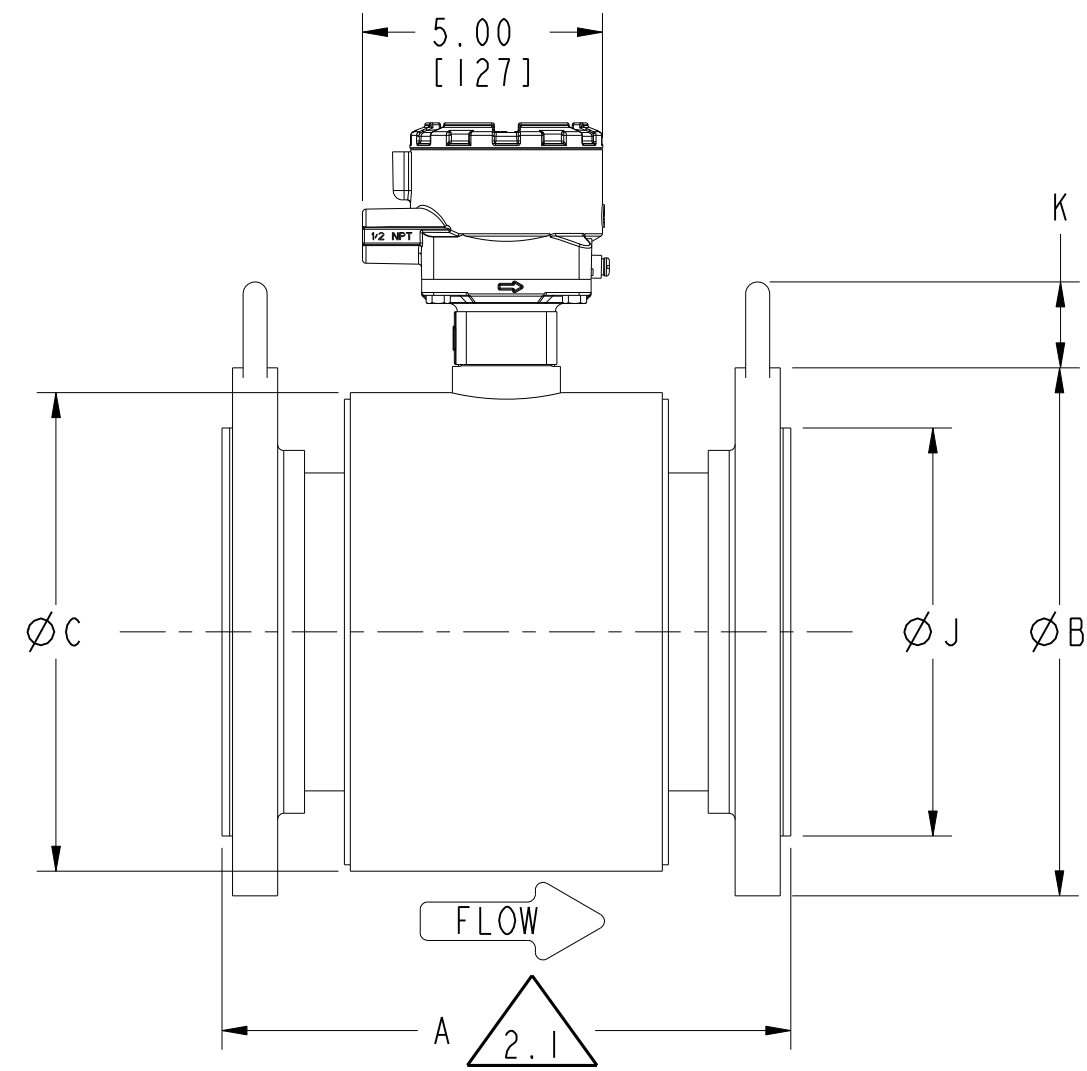
CONFIDENTIAL AND PROPRIETARY INFORMATION IS CONTAINED HEREIN AND MUST BE HANDLED ACCORDINGLY.		SURFACE FINISH UNLESS OTHERWISE SPECIFIED	3RD ANGLE	SIZE C	SCALE 3:4	REV AB
UNLESS OTHERWISE SPECIFIED DIMENSIONS IN INCHES (mm). REMOVE ALL BURRS AND SHARP EDGES.		<b>EMERSON</b>				
-DEC TOLERANCES-		<b>ROSEMOUNT</b>				
.X ± -	[-]	TITLE DIMENSIONAL DRAWING				
.XX ± -	[-]	MODEL MS MAGNETIC FLOW TUBE-STANDARD PRESSURE				
.XXX ± -	[-]	DR. N. BOND 7/9/19 DRAWING NO.				
FRACTIONS ± -	ANGLES ± -	APP'D M. MAYER 9/5/19				
DO NOT SCALE PRINT CAD MAINTAINED. (PRO/E) PRODUCT CODE		DOC TYPE		000MS-0124		
		SHEET 1 OF 10				

000MS-0124

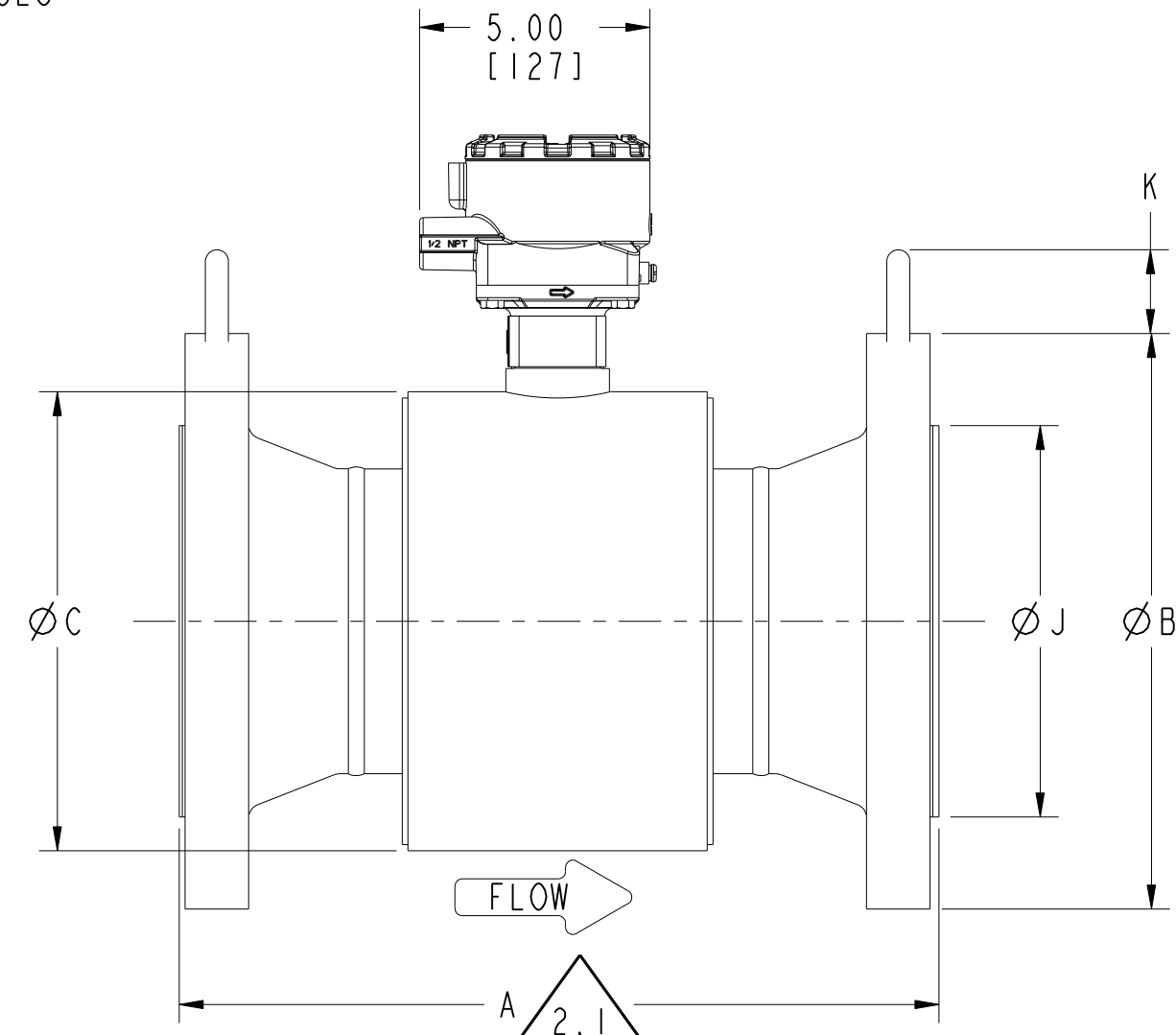
DRAWING NO.



**3" THRU 36"**  
SLIP-ON FLANGES



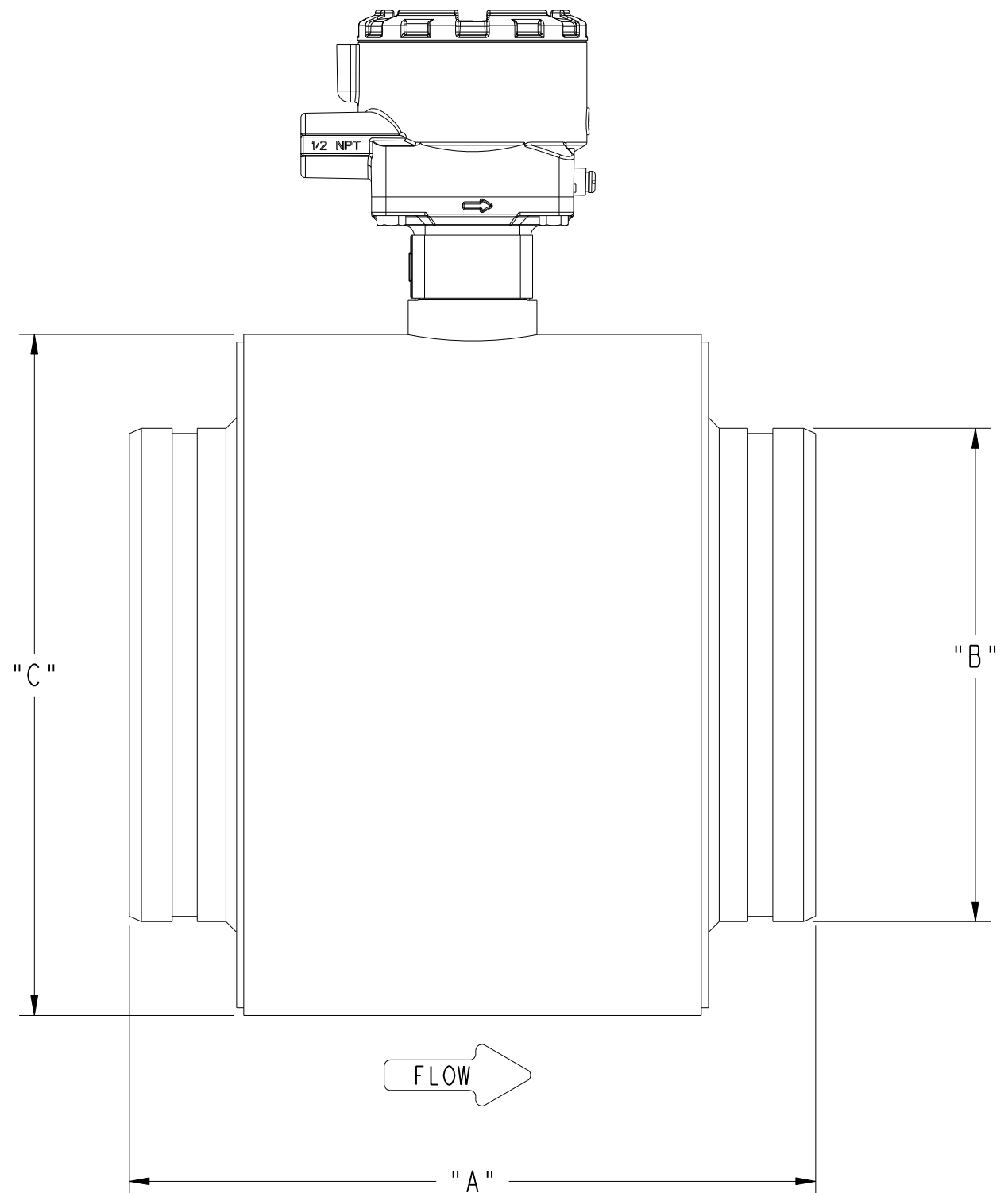
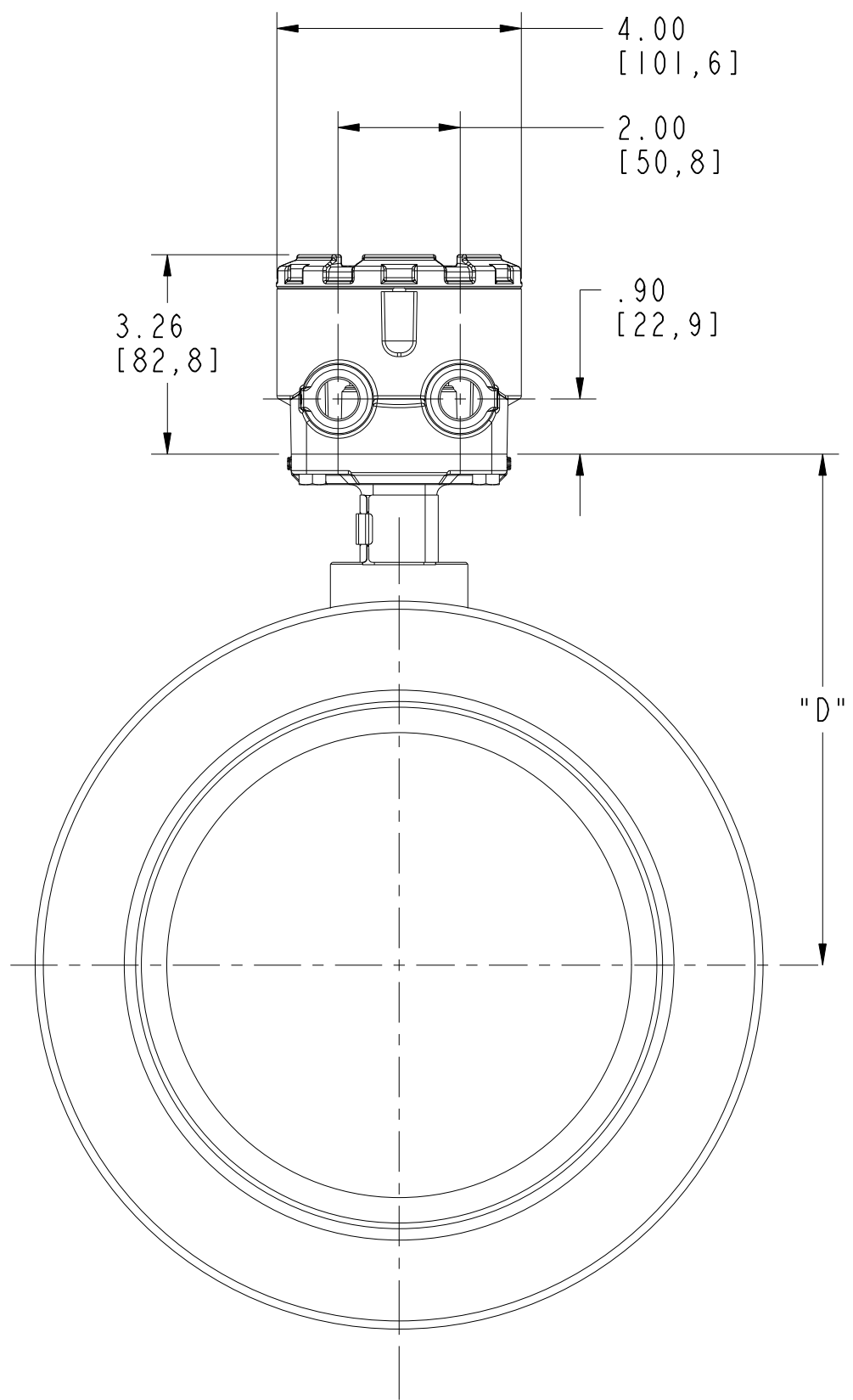
**3" THRU 36"**  
WELD NECK FLANGES



DIM "A" FOR FLOWMETERS WITH FLAT FACE FLANGES IS EQUAL TO THAT OF A RAISED FACE FLANGE.  
IF USING LINING PROTECTORS, SEE "LINING PROTECTOR" SHEET.  
IF USING GROUND RINGS, SEE "GROUND RING" SHEET.

CONFIDENTIAL AND PROPRIETARY INFORMATION IS CONTAINED HEREIN AND MUST BE HANDLED ACCORDINGLY.		SURFACE FINISH UNLESS OTHERWISE SPECIFIED		3RD ANGLE	SIZE C	SCALE 3:4	REV AB
UNLESS OTHERWISE SPECIFIED DIMENSIONS IN INCHES (mm). REMOVE ALL BURRS AND SHARP EDGES.		<b>EMERSON</b> ROSEMOUNT					
-DEC TOLERANCES-		TITLE DIMENSIONAL DRAWING					
.X ± - [-]		MODEL MS MAGNETIC FLOW TUBE-STANDARD PRESSURE					
.XX ± - [-]		DR. N. BOND		7/9/19	DRAWING NO.		
.XXX ± - [-]		APP'D M. MAYER		9/5/19	000MS-0124		
FRACTIONS ± -	ANGLES ± -	DO NOT SCALE PRINT		CAD MAINTAINED. (PRO/£)	PRODUCT CODE	DOC TYPE	SHEET 2 OF 10

DRAWING NO. 000MS-0124



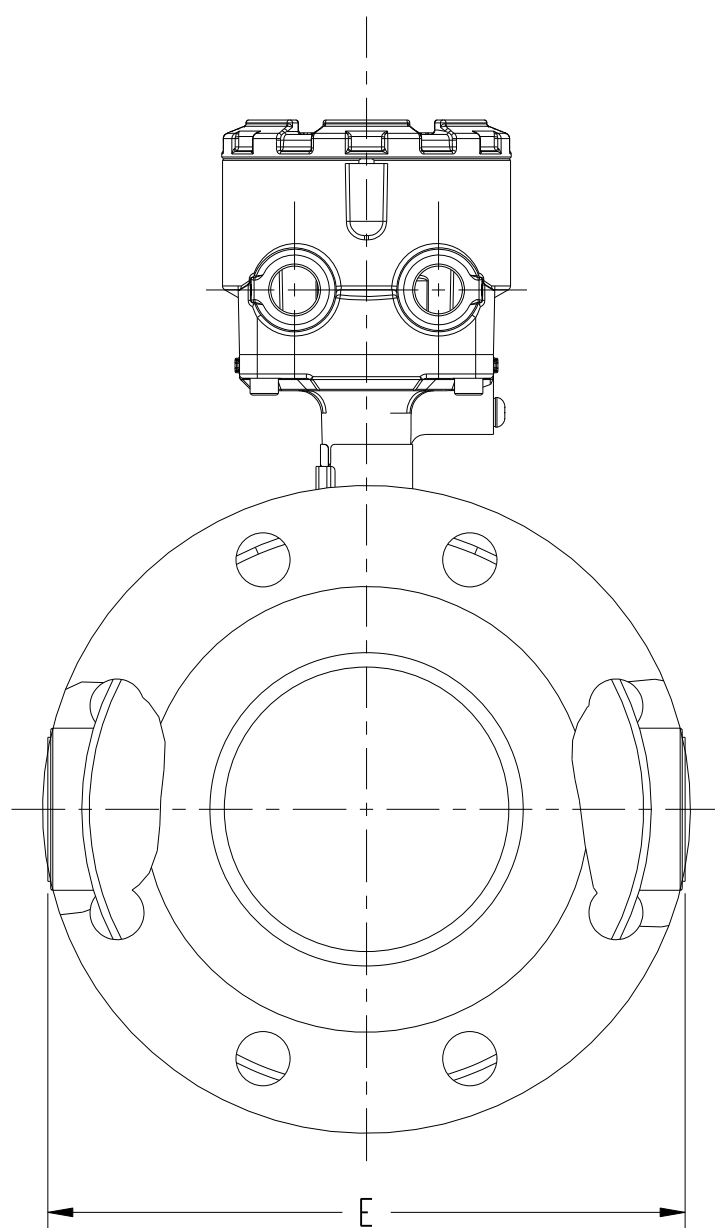
**TABLE 5 - 3" - 10" WITH GROOVED COUPLING**

LINE SIZE (INCH)	DIM "A" OVERALL LENGTH	DIM "B" OVERALL PIPE DIAMETER	DIM "C" BODY DIAMETER	DIM "D" CL TO TA
3"	12.50 [317.5]	3.50 [90.0]	7.20 [182.9]	5.82 [147.8]
4"	12.00 [304.8]	4.5 [114.3]	7.90 [200.7]	6.17 [156.7]
6"	12.00 [304.8]	6.62 [168.1]	9.97 [253.2]	7.39 [187.7]
8"	12.00 [304.8]	8.62 [218.9]	11.91 [302.5]	8.36 [212.3]
10"	16.00 [406.4]	10.75 [273.05]	14.63 [371.6]	9.69 [246.1]

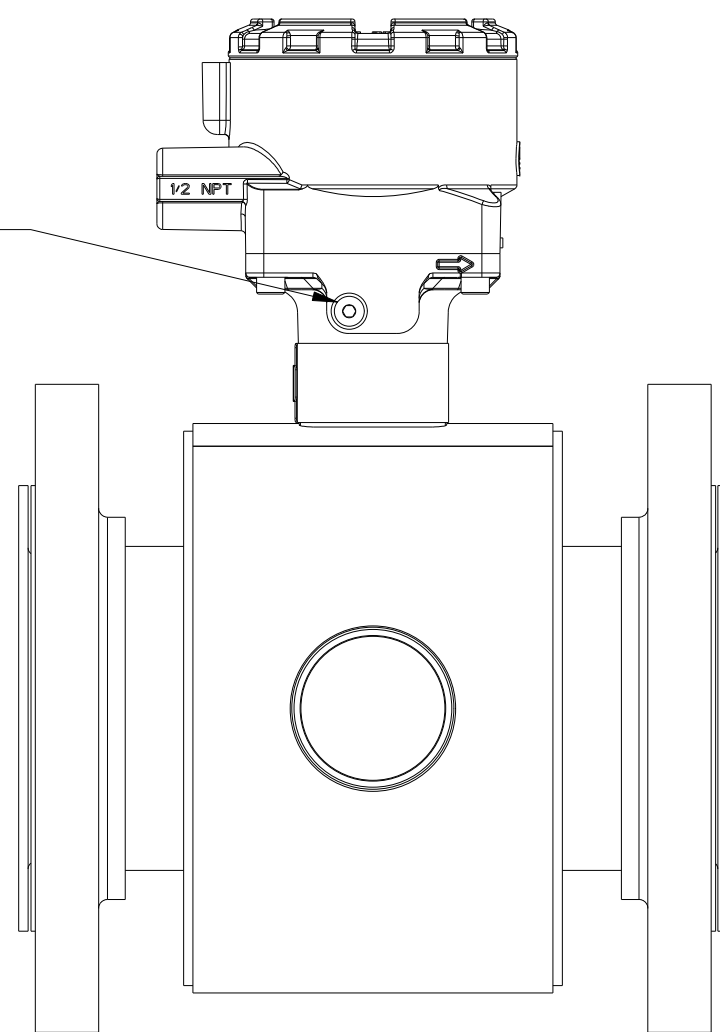
CONFIDENTIAL AND PROPRIETARY INFORMATION IS CONTAINED HEREIN AND MUST BE HANDLED ACCORDINGLY.	SURFACE FINISH UNLESS OTHERWISE SPECIFIED	3RD ANGLE	SIZE C	SCALE -	REV AB
UNLESS OTHERWISE SPECIFIED DIMENSIONS IN INCHES (mm). REMOVE ALL BURRS AND SHARP EDGES.	<b>EMERSON</b> ROSEMOUNT				
-DEC TOLERANCES- .X ± - [-] .XX ± - [-] .XXX ± - [-]	TITLE DIMENSIONAL DRAWING MODEL MS MAGNETIC FLOW TUBE-STANDARD PRESSURE				
FRACTIONS ± - ANGLES ± -	DR. N. BOND	7/9/19	DRAWING NO. 000MS-0124		
DO NOT SCALE PRINT	CAD MAINTAINED. (PRO/E)	PRODUCT CODE	DOC TYPE	SHEET 3 OF 10	

DRAWING NO. 000MS-0124

**3" THRU 36"  
STYLE B  
WITH M2 OPTION**



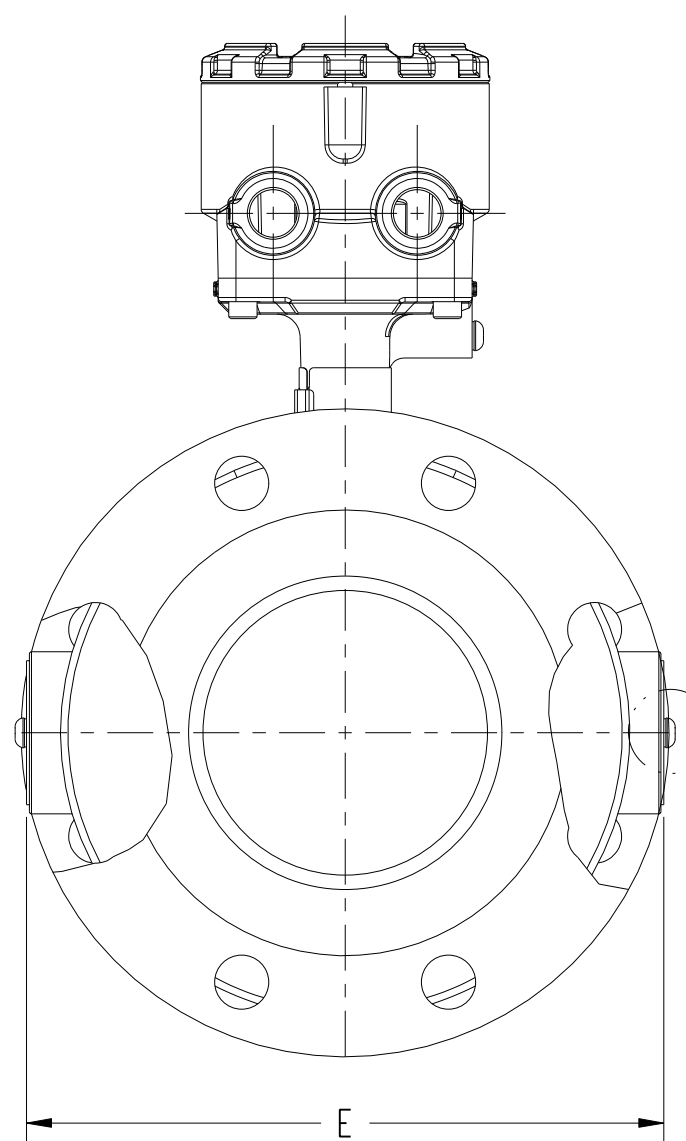
SEE PAGE 1  
FOR M1 HOUSING  
OPTION DETAIL



**TABLE 4 - BODY WIDTH WITH ELECTRODE ACCESS (M2)**

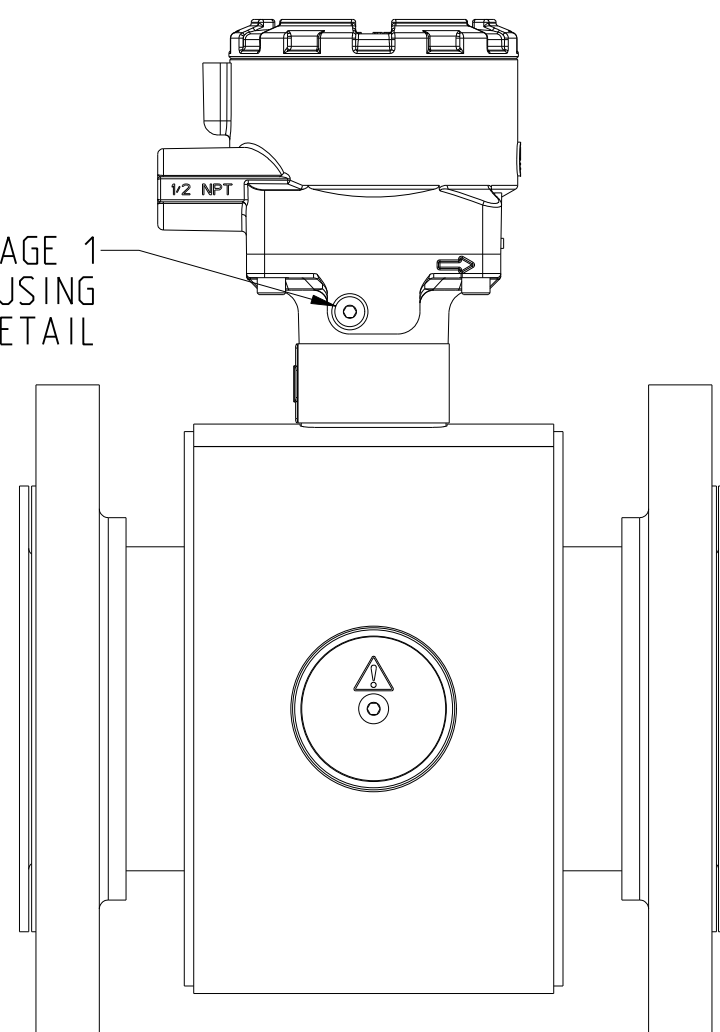
Size -- in (mm) All Flanges	Body Width w/ M2 DIM "E" (inch)	Body Width w/ M2 DIM "E" (mm)
	△ 4.1	△ 4.1
3 (80)	7.88	200
4 (100)	8.88	226
6 (150)	10.62	270
8 (200)	12.62	321
10 (250)	15.53	394
12 (300)	17.53	445
14 (350)	20.68	525
16 (400)	22.68	576
18 (450)	24.68	627
20 (500)	26.68	678
24 (600)	30.68	779
30 (750)	36.68	932
36 (900)	44.18	1122

**3" THRU 36"  
STYLE B  
WITH M4 OPTION**



△ 4.2

SEE PAGE 1  
FOR M1 HOUSING  
OPTION DETAIL



SEE DETAIL A

.16  
[4]

DETAIL A  
2X  
M4 OPTION ONLY

THREADED  
DRAIN  
HOLE

△ 4.2

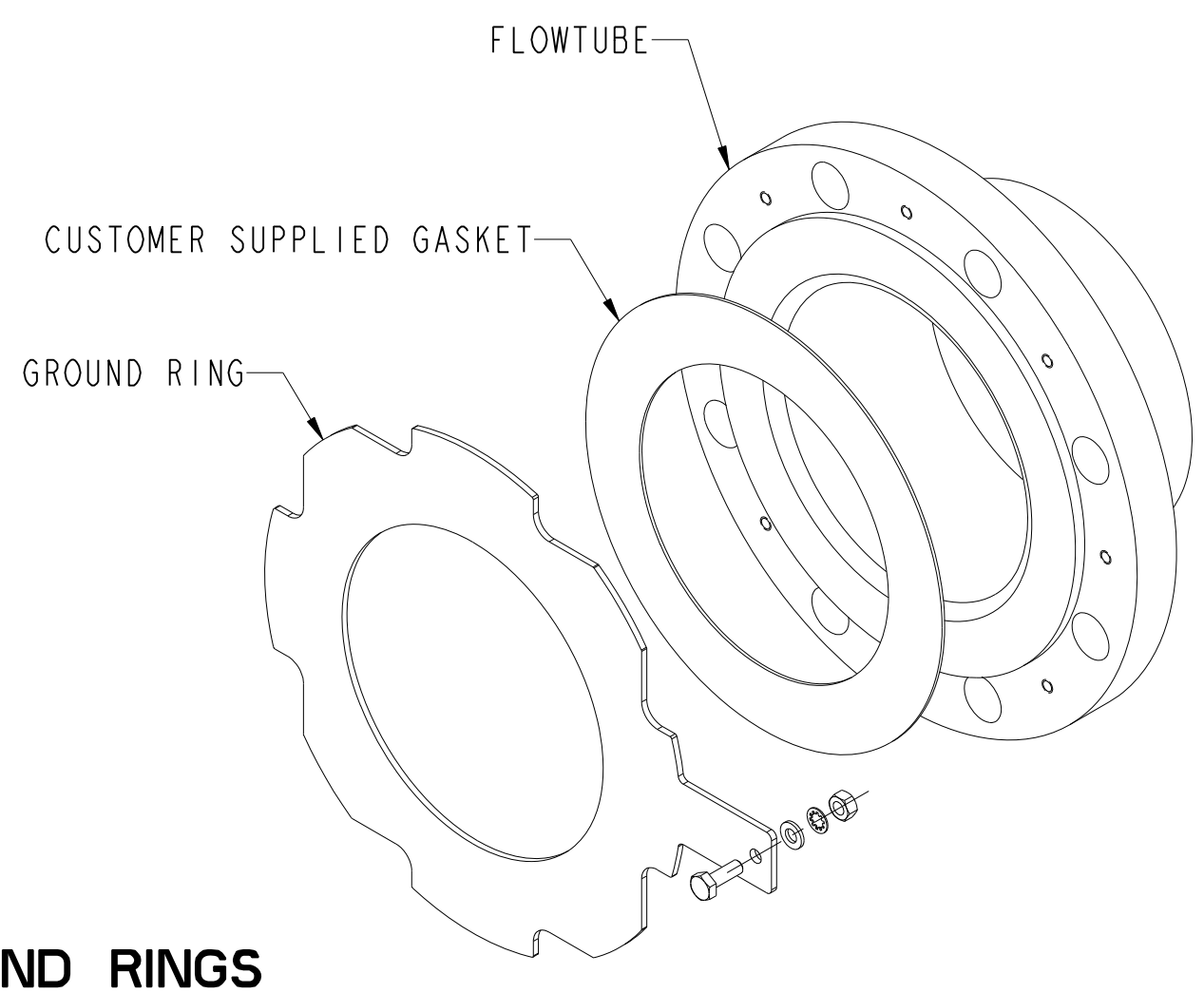
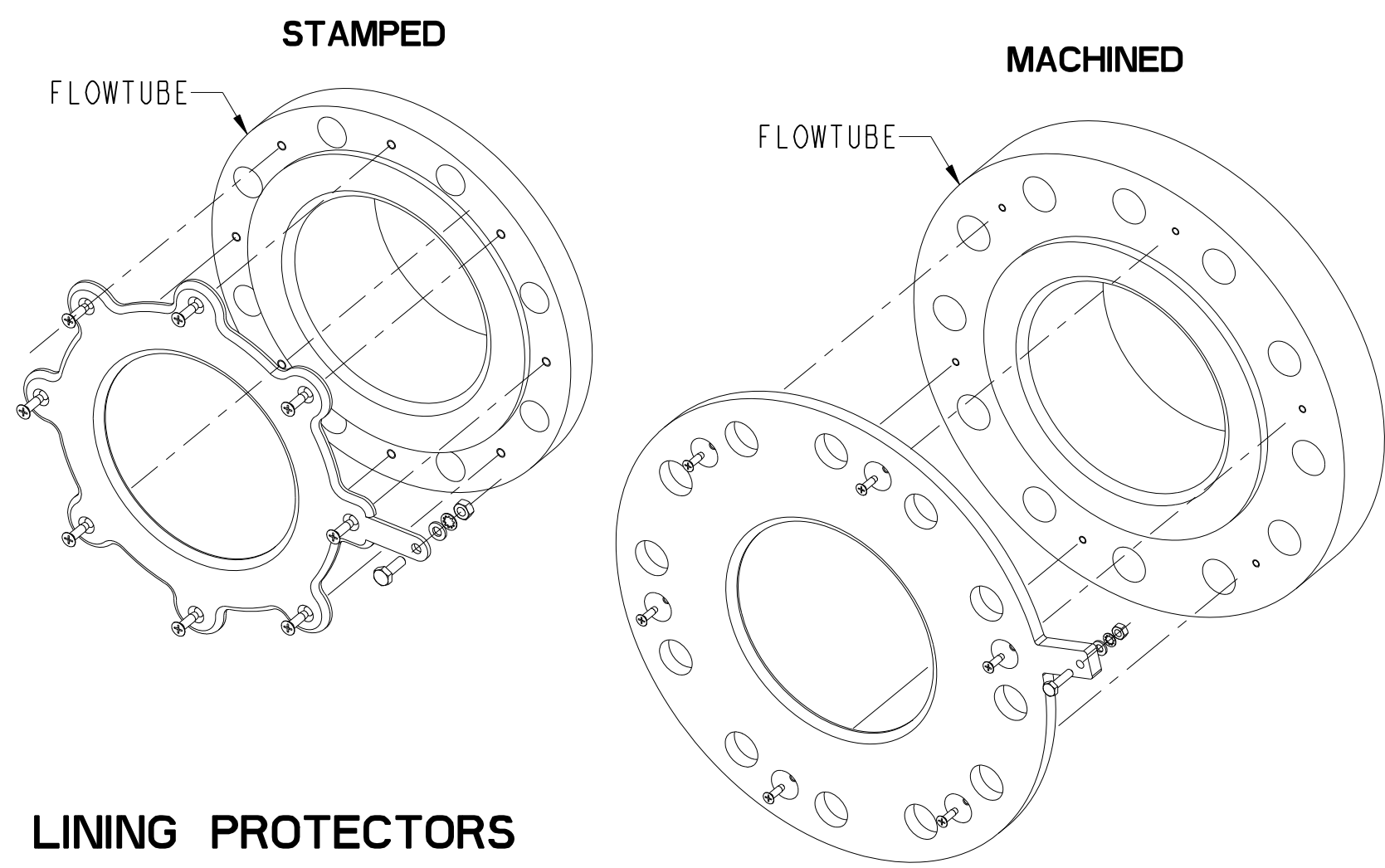
WHEN VENTING THE ELECTRODE COMPARTMENT, THE VENT AND RECOVERY PIPING DIAMETER MUST NOT BE SMALLER THAN THE M6 COVER THREADING TO AVOID BUILDING PRESSURE INSIDE THE ELECTRODE COMPARTMENT.

△ 4.1

WHEN M4 OPTION IS SELECTED ADD .320" (8mm) TO M2 DIM 'E' (BODY WIDTH DIMENSION)

DRAWING NO. 000MS-0124

CONFIDENTIAL AND PROPRIETARY INFORMATION IS CONTAINED HEREIN AND MUST BE HANDLED ACCORDINGLY.  UNLESS OTHERWISE SPECIFIED DIMENSIONS IN INCHES (mm). REMOVE ALL BURRS AND SHARP EDGES.  -DEC TOLERANCES- .X ± - [-] .XX ± - [-] .XXX ± - [-]  FRACTIONS ± - ANGLES ± -	SURFACE FINISH UNLESS OTHERWISE SPECIFIED ✓	3RD ANGLE	SIZE C	SCALE -	REV AB
	<b>EMERSON</b> ROSEMOUNT TITLE DIMENSIONAL DRAWING MODEL MS MAGNETIC FLOW TUBE-STANDARD PRESSURE				
DR. N. BOND 7/9/19 APP'D M. MAYER 9/5/19	DRAWING NO. 000MS-0124				
DO NOT SCALE PRINT CAD MAINTAINED. (PRO/E) PRODUCT CODE	DOC TYPE	SHEET 4 OF 10			



**LINING PROTECTORS**

**GROUND RINGS**

**Table 6 - LINING PROTECTOR THICKNESS** 5.1

Line Size in (mm)	THICKNESS (QTY 1) ADD VALUE TO "DIM A" (OVERALL LENGTH)		THICKNESS (QTY 2) ADD VALUE TO "DIM A" (OVERALL LENGTH)	
	MIN	MAX	MIN	MAX
3 (80)	0.105	0.190	0.210	0.380
4 (100)	0.105	0.190	0.210	0.380
6 (150)	0.100	0.190	0.200	0.380
8 (200)	0.090	0.190	0.180	0.380
10 (250)	0.110	0.185	0.220	0.370
12 (300)	0.110	0.185	0.220	0.370
14 (350)	0.150	0.185	0.300	0.370
16 (400)	0.150	0.185	0.300	0.370
18 (450)	0.150	0.162	0.300	0.324
20 (500)	0.150	0.162	0.300	0.324
24 (600)	0.150	0.162	0.300	0.324
30 (750)	0.285	0.285	0.570	0.570
36 (900)	0.410	0.410	0.820	0.820

**Table 7 -GROUND RING THICKNESS** 5.1 5.2

Line Size in (mm)	THICKNESS (QTY 1) ADD VALUE TO "DIM A" (OVERALL LENGTH)		THICKNESS (QTY 2) ADD VALUE TO "DIM A" (OVERALL LENGTH)	
	MIN	MAX	MIN	MAX
3 (80)	0.045	0.120	0.090	0.240
4 (100)	0.045	0.120	0.090	0.240
6 (150)	0.045	0.120	0.090	0.240
8 (200)	0.045	0.120	0.090	0.240
10 (250)	0.045	0.120	0.090	0.240
12 (300)	0.045	0.120	0.090	0.240
14 (350)	0.045	0.250	0.090	0.500
16 (400)	0.045	0.250	0.090	0.500
18 (450)	0.120	0.250	0.240	0.500
20 (500)	0.120	0.250	0.240	0.500
24 (600)	0.187	0.250	0.374	0.500
30 (750)	0.187	0.250	0.374	0.500
36 (900)	0.187	0.250	0.374	0.500

5.2 ADDITIONAL LENGTH DOES NOT INCLUDE CUSTOMER SUPPLIED GASKET.

5.1 ACTUAL VALUE DEPENDENT UPON FLANGE RATING AND MATERIAL OF CONSTRUCTION; CONSULT FACTORY FOR EXACT DIMENSIONS.

DRAWING NO. 000MS-0124

CONFIDENTIAL AND PROPRIETARY INFORMATION IS CONTAINED HEREIN AND MUST BE HANDLED ACCORDINGLY.	SURFACE FINISH UNLESS OTHERWISE SPECIFIED <input checked="" type="checkbox"/>	3RD ANGLE	SIZE C	SCALE -	REV AB
UNLESS OTHERWISE SPECIFIED DIMENSIONS IN INCHES (mm). REMOVE ALL BURRS AND SHARP EDGES.		<b>EMERSON</b> ROSEMOUNT			
-DEC TOLERANCES- .X ± - [-] .XX ± - [-] .XXX ± - [-]		TITLE <b>DIMENSIONAL DRAWING</b>			
FRACTIONS ± - ANGLES ± -		<b>MODEL MS MAGNETIC FLOW TUBE-STANDARD PRESSURE</b>			
DR. N. BOND	7/9/19	DRAWING NO.		<b>000MS-0124</b>	
APP'D M. MAYER	9/5/19	DO NOT SCALE PRINT		CAD MAINTAINED. (PRO/E)	PRODUCT CODE
DOC TYPE		SHEET 5 OF 10			









TABLE 2C (CONTINUED): 14" - 36" WITH SLIP-ON FLANGES -- INCH

SIZE, DESCRIPTION	MODEL NUMBER	OVERALL LENGTH					FLANGE Ø DIM "B"	BODY Ø DIM "C"	DIM "D" CL TO TA		LINER Ø ON FACE DIM "J"	LIFT RING HEIGHT DIM "K"	FLOW TUBE WEIGHT (lbs.)
		DIM "A" PTFE	DIM "A" NEOPRENE	DIM "A" L INATEX	DIM "A" POLY	DIM "A" PFA			STYLE A	STYLE B			
24 (600) ASME - 150 , SO / RF	MS240.....A1	35.75	35.55	35.64	35.67		32.00	30.03	17.39	17.38	27.25	3.13	828
24 (600) ASME - 300 , SO / RF	MS240.....A3	39.38	39.18	39.27	39.30		36.00	30.03	17.39	17.38	27.25	3.13	1729
24 (600) ASME - 600 DERAT., SO / RF	MS240.....A6	41.35					37.00	30.03	17.39	17.38	27.25	3.13	2690
24 (600) EN1092-1 PN10, SO / RF	MS240.....AD	35.75	35.55	35.64	35.67		30.71	30.03	17.39	17.38	26.97	3.13	661
24 (600) EN1092-1 PN16, SO / RF	MS240.....AE	35.75	35.55	35.64	35.67		33.07	30.03	17.39	17.38	28.54	3.13	832
24 (600) EN1092-1 PN25, SO / RF	MS240.....AF	39.38	39.18	39.27	39.30		33.27	30.03	17.39	17.38	28.35	3.13	1352
24 (600) EN1092-1 PN40, SO / RF	MS240.....AH	39.38	39.18	39.27	39.30		35.04	30.03	17.39	17.38	28.94	3.13	1628
24 (600) AS2129 TABLE D, SO / RF	MS240.....AK	35.75	35.55	35.64	35.67		32.48	30.03	17.39	17.38	28.35	3.13	692
24 (600) AS2129 TABLE E, SO / RF	MS240.....AL	35.75	35.55	35.64	35.67		32.48	30.03	17.39	17.38	28.23	3.13	814
24 (600) JIS B2200 - 10K, SO / RF	MS240.....AP	35.75	35.55	35.64	35.67		31.30	30.03	17.39	17.38	27.17	3.13	659
24 (600) JIS B2200 - 20K, SO / RF	MS240.....AR	39.38	39.18	39.27	39.30		33.27	30.03	17.39	17.38	28.35	3.13	1353
24 (600) AS4087 PN16, SO / RF	MS240.....AU	35.75	35.55	35.64	35.67		32.48	30.03	17.39	17.38	28.35	3.13	709
24 (600) AS4087 PN21, SO / RF	MS240.....AW	39.38	39.18	39.27	39.30		33.46	30.03	17.39	17.38	29.09	3.13	1293
24 (600) AS4087 PN35, SO / RF	MS240.....AY	39.38	39.18	39.27	39.30		33.46	30.03	17.39	17.38	27.52	3.13	1528
30 (750) ASME B16.47 SERIES A - 150 , SO / RF	MS300.....A1	41.56	41.36	41.45	41.48		38.75	35.50	20.13	20.11	33.75	3.13	1561
30 (750) ASME B16.47 SERIES A - 300 , SO / RF	MS300.....A3	47.25	47.05	47.14	47.17		43.00	35.50	20.13	20.11	33.75	3.13	2950
30 (750) AS2129 TABLE D, SO / RF	MS300.....AK	37.00	36.80	36.89	37.04		39.17	35.50	20.13	20.11	34.96	3.13	1036
30 (750) AS2129 TABLE E, SO / RF	MS300.....AL	41.56	41.36	41.45	41.48		39.17	35.50	20.13	20.11	33.75	3.13	1275
30 (750) AS4087 PN16, SO / RF	MS300.....AU	37.00	36.80	36.89	36.92		39.17	35.50	20.13	20.11	34.96	3.13	1083
30 (750) AS4087 PN21, SO / RF	MS300.....AW	41.56	41.36	41.45	41.48		39.96	35.50	20.13	20.11	3.00	3.13	1071
30 (750) AS4087 PN35, SO / RF	MS300.....AY	47.25	47.05	47.14	47.17		39.96	35.50	20.13	20.11	35.35	3.13	2452
36 (900) ASME B16.47 SERIES A - 150 , SO / RF	MS360.....A1	47.25	47.05	47.14	47.17		46.00	43.37	24.00	24.05	40.25	3.13	2550
36 (900) ASME B16.47 SERIES A - 300 , SO / RF	MS360.....A3	53.17	52.97	53.06	53.09		50.00	43.37	24.00	24.05	40.25	3.38	4584
36 (900) AS2129 TABLE D, SO / RF	MS360.....AK	40.63	40.43	40.52	40.67		46.26	43.37	24.00	24.05	41.34	3.13	1515
36 (900) AS2129 TABLE E, SO / RF	MS360.....AL	47.25	47.05	47.14	47.17		46.26	43.37	24.00	24.05	41.34	3.13	2105
36 (900) AS4087 PN16, SO / RF	MS360.....AU	40.63	40.43	40.52	40.55		46.26	43.37	24.00	24.05	41.34	3.13	1559
36 (900) AS4087 PN21, SO / RF	MS360.....AW	47.25	47.05	47.14	47.17		46.65	43.37	24.00	24.05	41.73	3.13	2060
36 (900) AS4087 PN35, SO / RF	MS360.....AY	53.17	52.97	53.06	53.09		46.65	43.37	24.00	24.05	40.55	3.38	3700

TABLE 2C (CONTINUED): 14" - 36" WITH SLIP-ON FLANGES -- MILLIMETER

SIZE, DESCRIPTION	MODEL NUMBER	OVERALL LENGTH					FLANGE Ø DIM "B"	BODY Ø DIM "C"	DIM "D" CL TO TA		LINER Ø ON FACE DIM "J"	LIFT RING HEIGHT DIM "K"	FLOW TUBE WEIGHT (kgs.)
		DIM "A" PTFE	DIM "A" NEOPRENE	DIM "A" L INATEX	DIM "A" POLY	DIM "A" PFA			STYLE A	STYLE B			
24 (600) ASME - 150 , SO / RF	MS240.....A1	908	903	905	906		813	763	442	441	692	80	375
24 (600) ASME - 300 , SO / RF	MS240.....A3	1000	995	997	998		914	763	442	441	692	80	784
24 (600) ASME - 600 DERAT., SO / RF	MS240.....A6	1050					940	763	442	441	692	80	1220
24 (600) EN1092-1 PN10, SO / RF	MS240.....AD	908	903	905	906		780	763	442	441	685	80	300
24 (600) EN1092-1 PN16, SO / RF	MS240.....AE	908	903	905	906		840	763	442	441	725	80	377
24 (600) EN1092-1 PN25, SO / RF	MS240.....AF	1000	995	997	998		845	763	442	441	720	80	613
24 (600) EN1092-1 PN40, SO / RF	MS240.....AH	1000	995	997	998		890	763	442	441	735	80	738
24 (600) AS2129 TABLE D, SO / RF	MS240.....AK	908	903	905	906		825	763	442	441	720	80	314.2
24 (600) AS2129 TABLE E, SO / RF	MS240.....AL	908	903	905	906		825	763	442	441	717	80	369.6
24 (600) JIS B2200 - 10K, SO / RF	MS240.....AP	908	903	905	906		795	763	442	441	690	80	299.1
24 (600) JIS B2200 - 20K, SO / RF	MS240.....AR	1000	995	997	998		845	763	442	441	720	80	613.9
24 (600) AS4087 PN16, SO / RF	MS240.....AU	908	903	905	906		825	763	442	441	720	80	321.6
24 (600) AS4087 PN21, SO / RF	MS240.....AW	1000	995	997	998		850	763	442	441	739	80	586.5
24 (600) AS4087 PN35, SO / RF	MS240.....AY	1000	995	997	998		850	763	442	441	699	80	693.2
30 (750) ASME B16.47 SERIES A - 150 , SO / RF	MS300.....A1	1056	1050	1053	1053		984	902	511	511	857	80	708.3
30 (750) ASME B16.47 SERIES A - 300 , SO / RF	MS300.....A3	1200	1195	1197	1198		1092	902	511	511	857	80	1338.4
30 (750) AS2129 TABLE D, SO / RF	MS300.....AK	940	935	937	941		995	902	511	511	888	80	470.4
30 (750) AS2129 TABLE E, SO / RF	MS300.....AL	1056	1050	1053	1053		995	902	511	511	857	80	578.4
30 (750) AS4087 PN16, SO / RF	MS300.....AU	940	935	937	938		995	902	511	511	888	80	491.5
30 (750) AS4087 PN21, SO / RF	MS300.....AW	1056	1050	1053	1053		1015	902	511	511	76	80	485.8
30 (750) AS4087 PN35, SO / RF	MS300.....AY	1200	1195	1197	1198		1015	902	511	511	898	80	1112.4
36 (900) ASME B16.47 SERIES A - 150 , SO / RF	MS360.....A1	1200	1195	1197	1198		1168	1102	610	611	1022	80	1156.9
36 (900) ASME B16.47 SERIES A - 300 , SO / RF	MS360.....A3	1351	1345	1348	1348		1270	1102	610	611	1022	86	2079.3
36 (900) AS2129 TABLE D, SO / RF	MS360.....AK	1032	1027	1029	1033		1175	1102	610	611	1050	80	687.3
36 (900) AS2129 TABLE E, SO / RF	MS360.....AL	1200	1195	1197	1198		1175	1102	610	611	1050	80	955.1
36 (900) AS4087 PN16, SO / RF	MS360.....AU	1032	1027	1029	1030		1175	1102	610	611	1050	80	707.3
36 (900) AS4087 PN21, SO / RF	MS360.....AW	1200	1195	1197	1198		1185	1102	610	611	1060	80	934.8
36 (900) AS4087 PN35, SO / RF	MS360.....AY	1351	1345	1348	1348		1185	1102	610	611	1030	86	1678.7

000MS-0124

DRAWING NO.

CONFIDENTIAL AND PROPRIETARY INFORMATION IS CONTAINED HEREIN AND MUST BE HANDLED ACCORDINGLY.		SURFACE FINISH UNLESS OTHERWISE SPECIFIED	3RD ANGLE	SIZE C	SCALE -	REV AB
UNLESS OTHERWISE SPECIFIED DIMENSIONS IN INCHES [mm]. REMOVE ALL BURRS AND SHARP EDGES.		<b>EMERSON</b>				
-DEC TOLERANCES-		<b>ROSEMOUNT</b>				
.X ± - [-]		TITLE <b>DIMENSIONAL DRAWING</b>				
.XX ± - [-]		<b>MODEL MS MAGNETIC FLOW TUBE-STANDARD PRESSURE</b>				
.XXX ± - [-]		DR. N. BOND 7/9/19 DRAWING NO. 000MS-0124				
FRACTIONS ± -		APP'D M. MAYER 9/5/19		SHEET 9 OF 10		
DO NOT SCALE PRINT		CAD MAINTAINED. (PRO/E)		PRODUCT CODE		

