

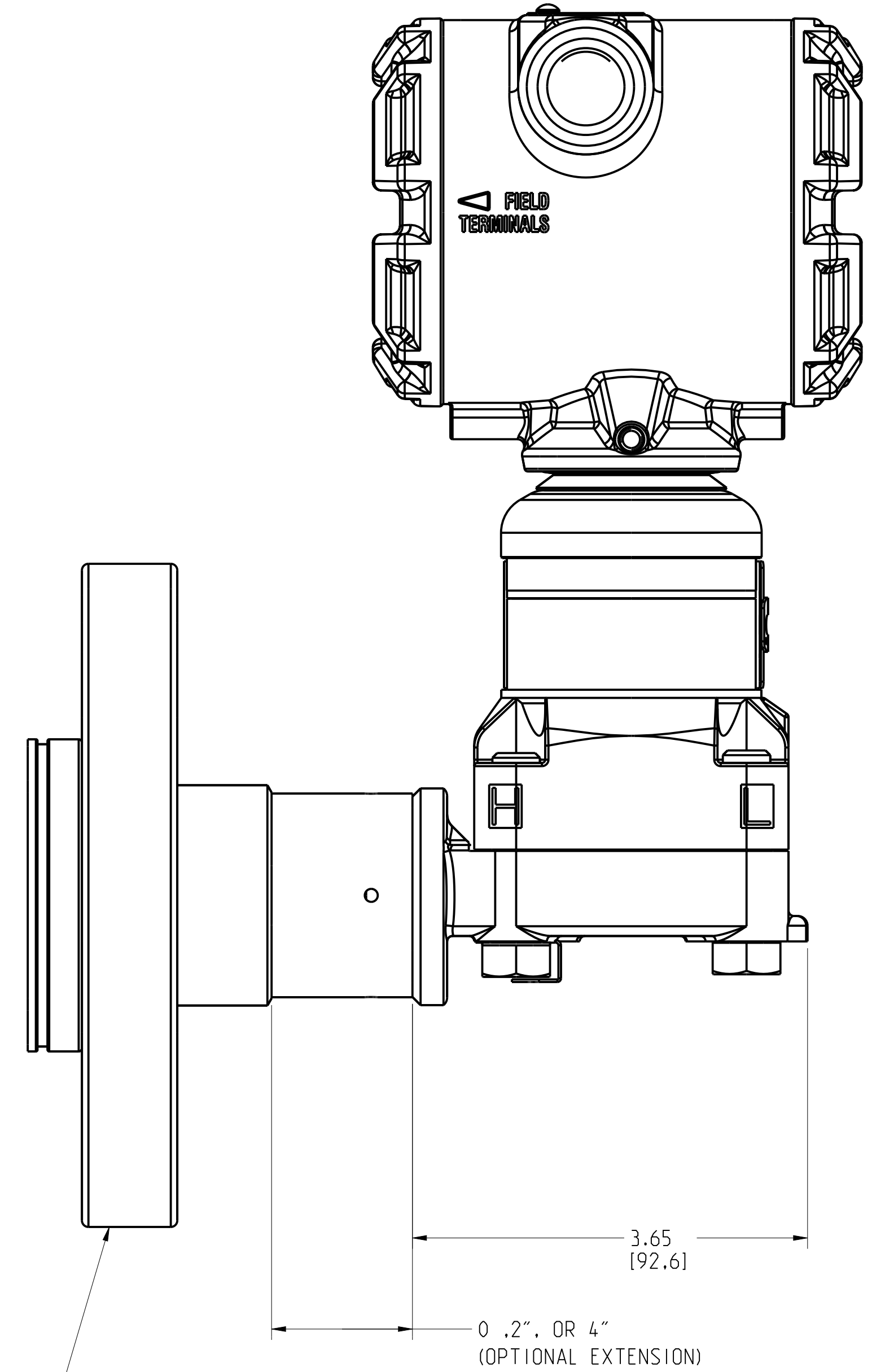
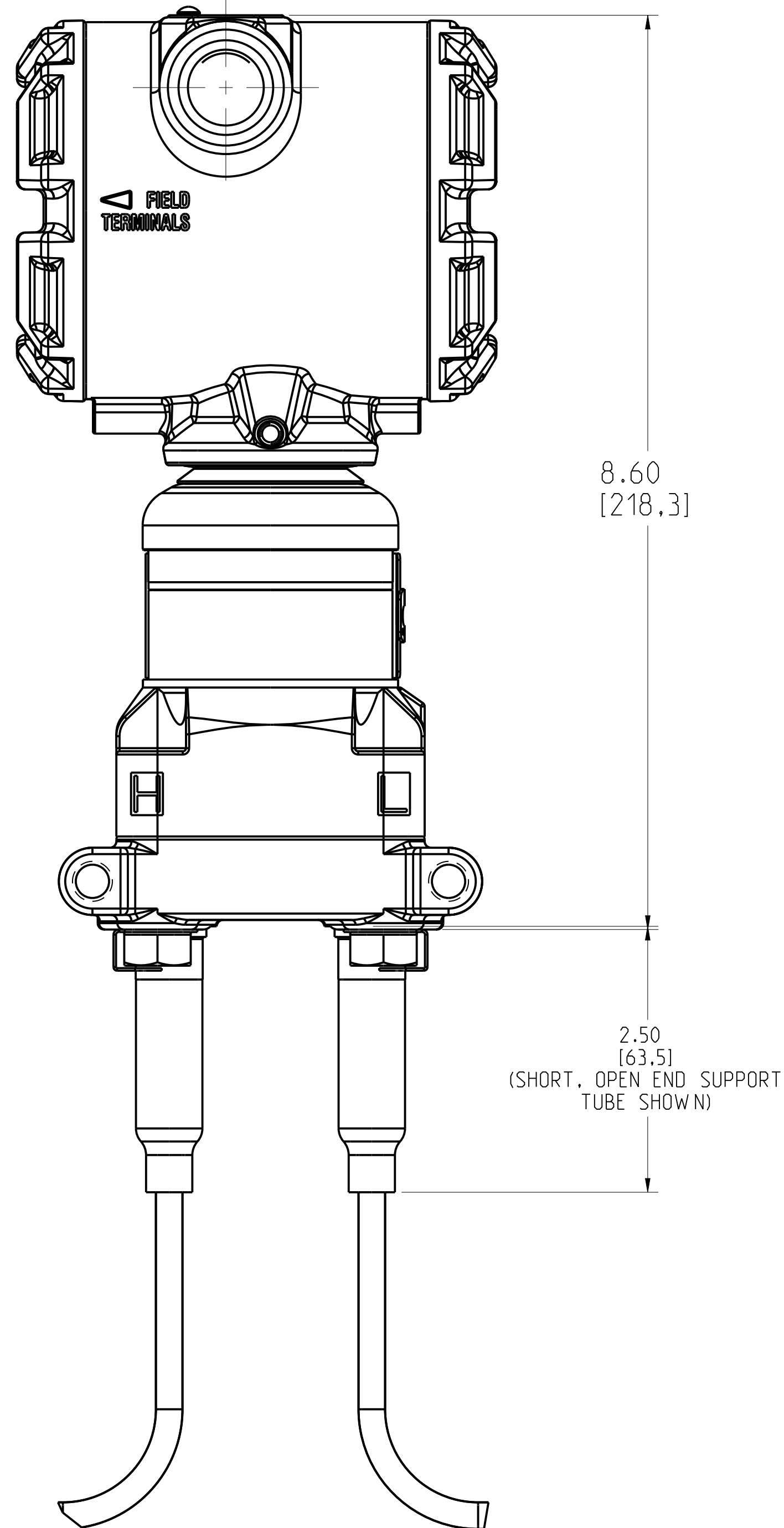
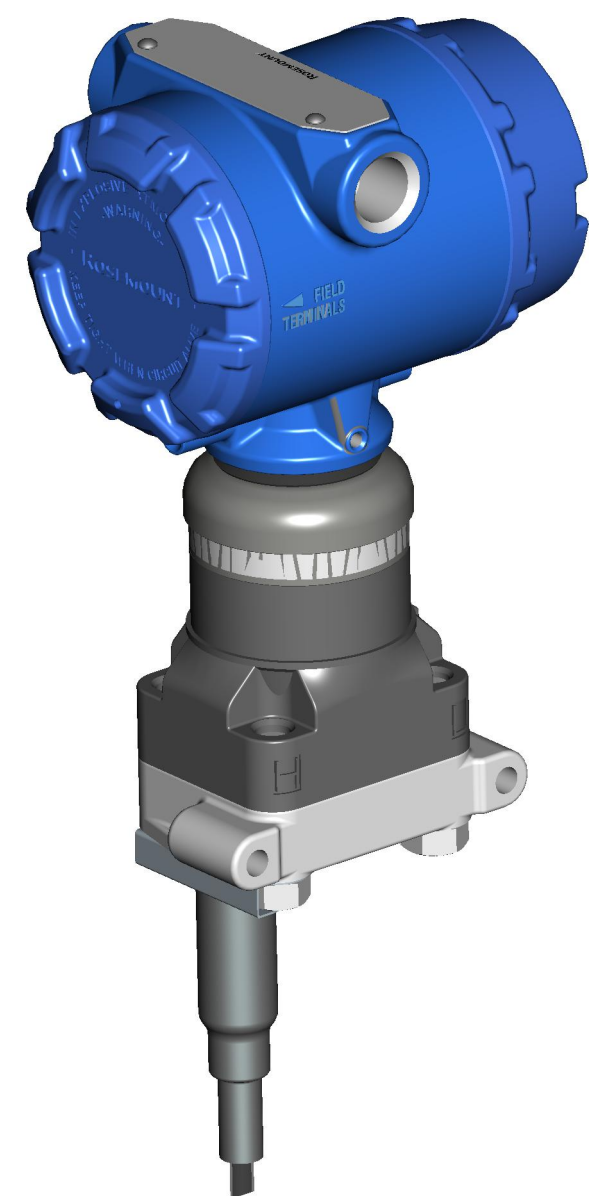
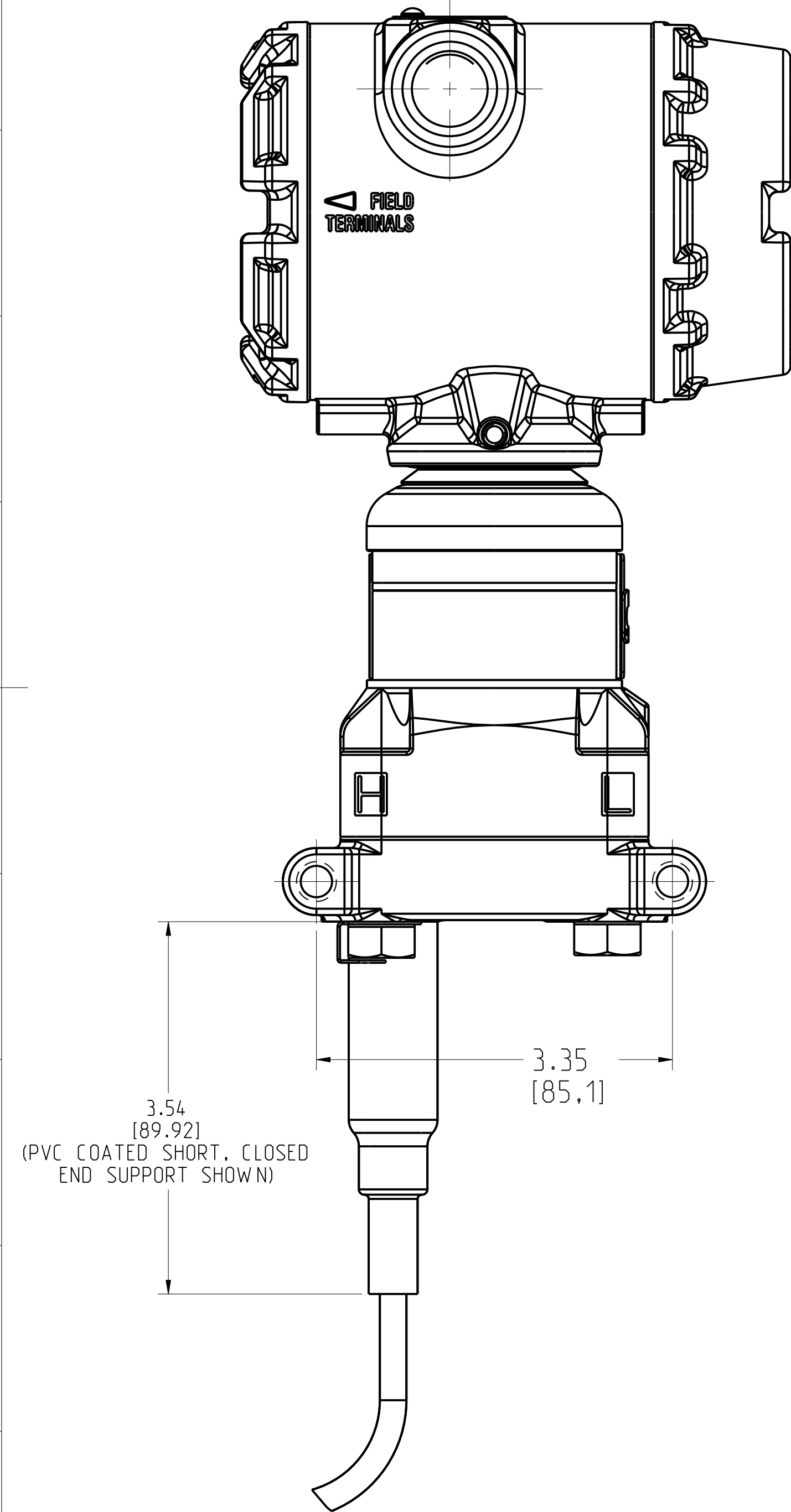
ROSEMOUNT 1199 DIAPHRAGM SEALS ASSEMBLED TO COPLANAR TRANSMITTER WITH CAPILLARY OR DIRECT MOUNTED

REVISION TABLE			
REVISION	ECO NO.	APP'D	DATE
AY	RTC1081373	J. LIN	8/14/23
DESCRIPTION			
ADD MWP TABLE AND BOLT AOL DIMENSION FOR RTW REMOTE SEAL.			

WELDED-REPAIRABLE CAPILLARY CONNECTION SHOWN ON TRANSMITTER HIGH SIDE (TRANSMITTER END)

WELDED-REPAIRABLE CAPILLARY CONNECTION SHOWN ON TRANSMITTER HIGH SIDE AND LOW SIDE (TRANSMITTER END)

WELDED-REPAIRABLE OR ALL WELDED DIRECT MOUNT CONNECTION SHOWN ON TRANSMITTER HIGH SIDE



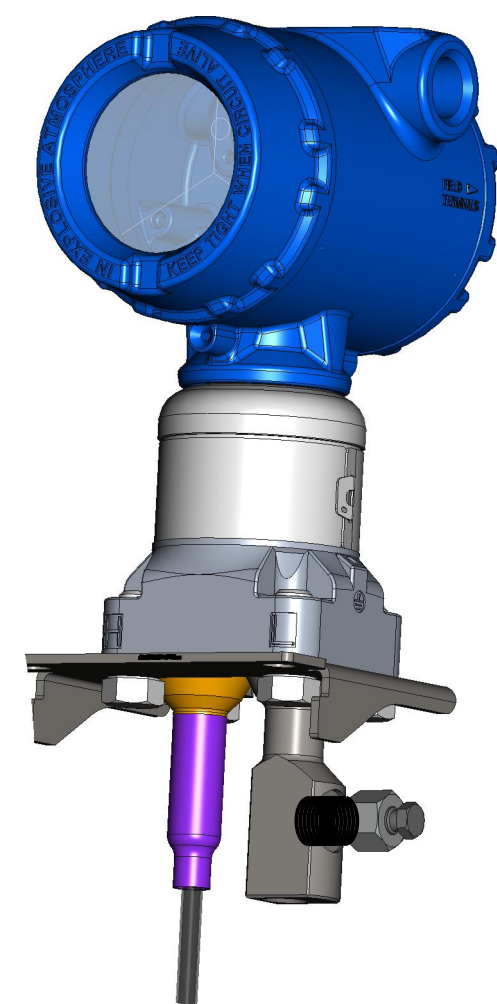
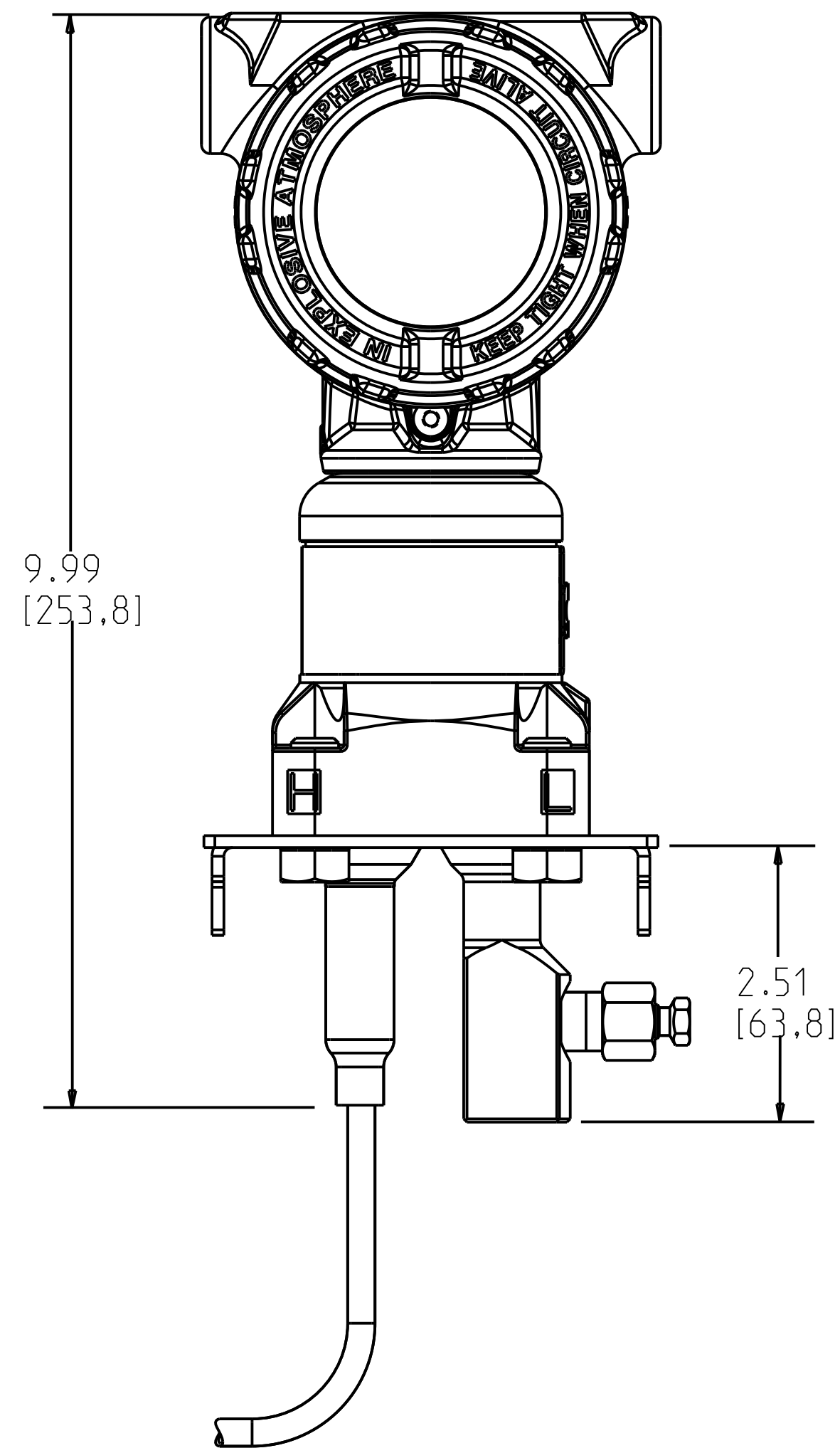
NOTE: THE SHOWN ASSEMBLIES ARE WITH 3051SC TRANSMITTER. OTHER COPLANAR TRANSMITTERS ARE ALSO AVAILABLE.

SEE THE FOLLOWING PAGES OF THIS TYPE 1 DRAWING FOR THE SPECIFIC DIMENSIONS ON AVAILABLE SEALS.

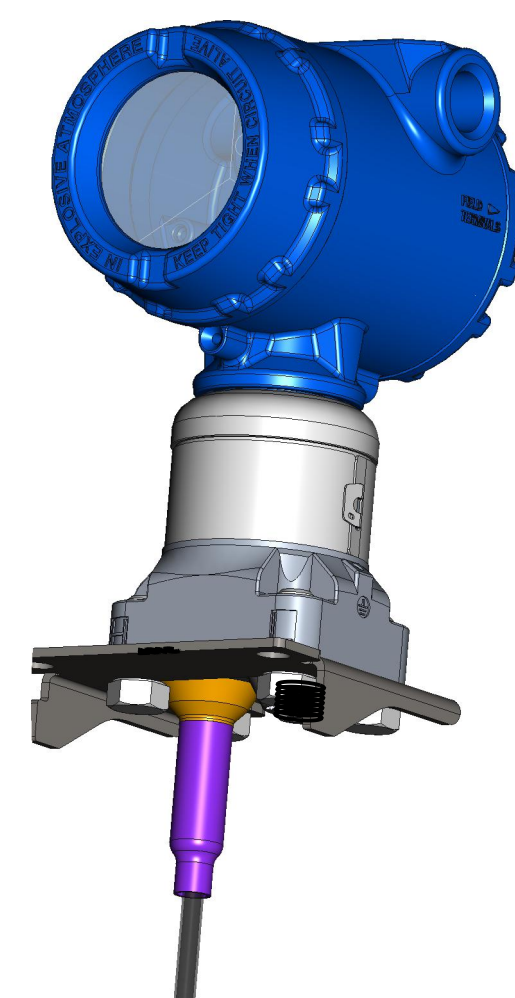
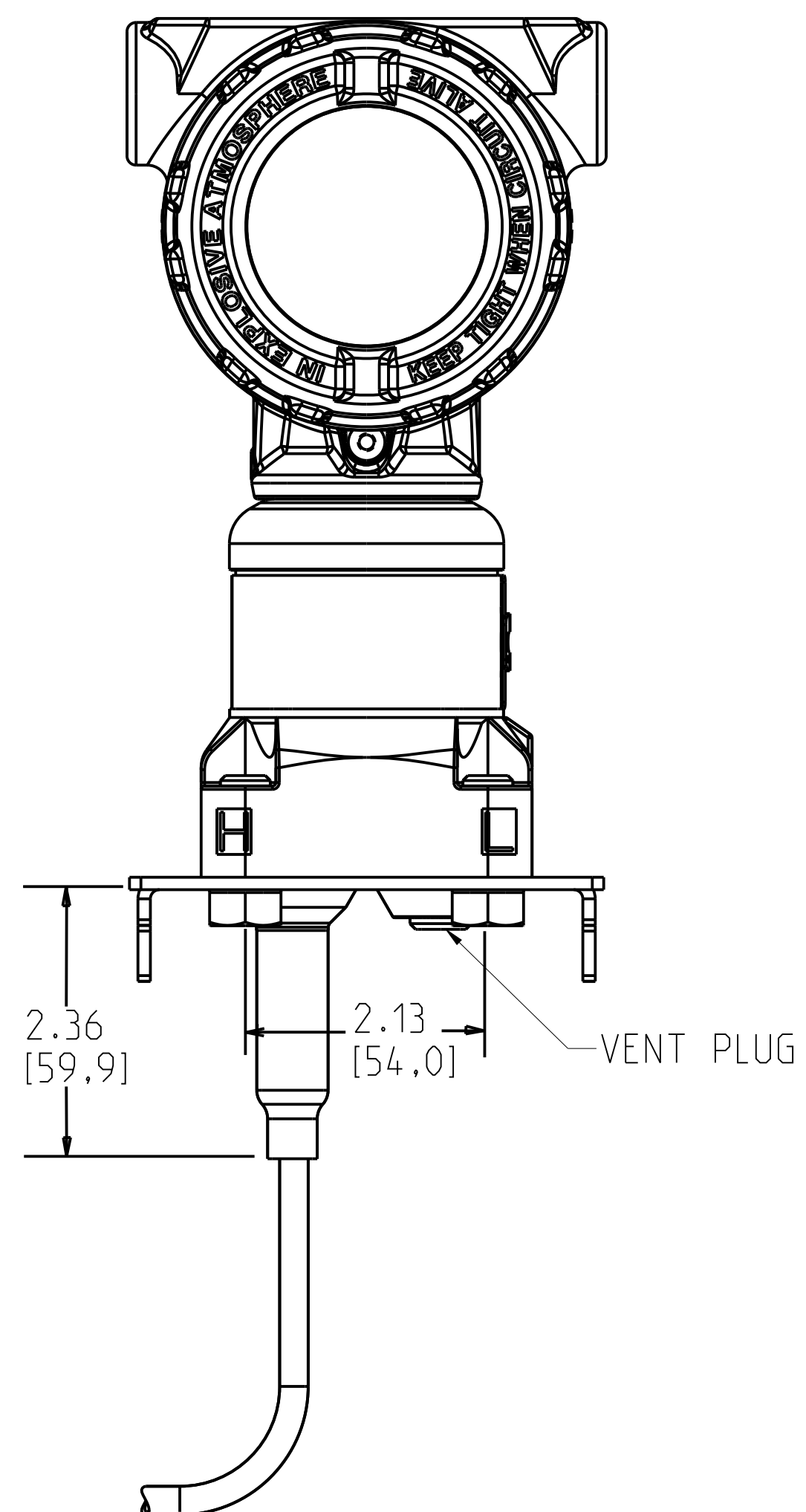
<small>©2015 ROSEMOUNT INC. ROSEMOUNT INC. ACCEPTS RESPONSIBILITY FOR THE ACCURACY OF THIS DRAWING IN ACCORDANCE WITH ROSEMOUNT ENGINEERING SPECIFICATIONS. UNIT NOTES IN INCHES (mm). REFERENCE ROSEMOUNT PRODUCT SPECIFICATIONS FOR PRODUCT SPECIFICATIONS. CLICK HERE</small>					
	TITLE ROSEMOUNT 1199 SEALS TYPE 1 DRAWING				
	DR. J. ARMSTRONG APP'D L.BRYANT	3/7/17 9/20/22	DRAWING NO.	01199-9500	
	CAD MAINTAINED. (PRO/E)		SHEET 1 OF 41		

ROSEMOUNT 1199 DIAPHRAGM SEALS ASSEMBLED TO
COPLANAR TRANSMITTER WITH ALL-WELDED CAPILLARY
CONNECTION TYPE (TRANSMITTER END)

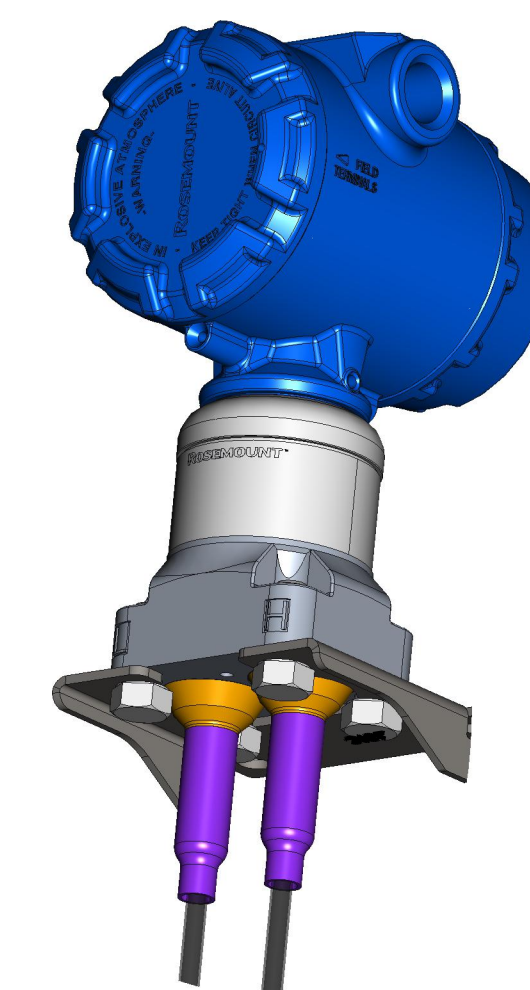
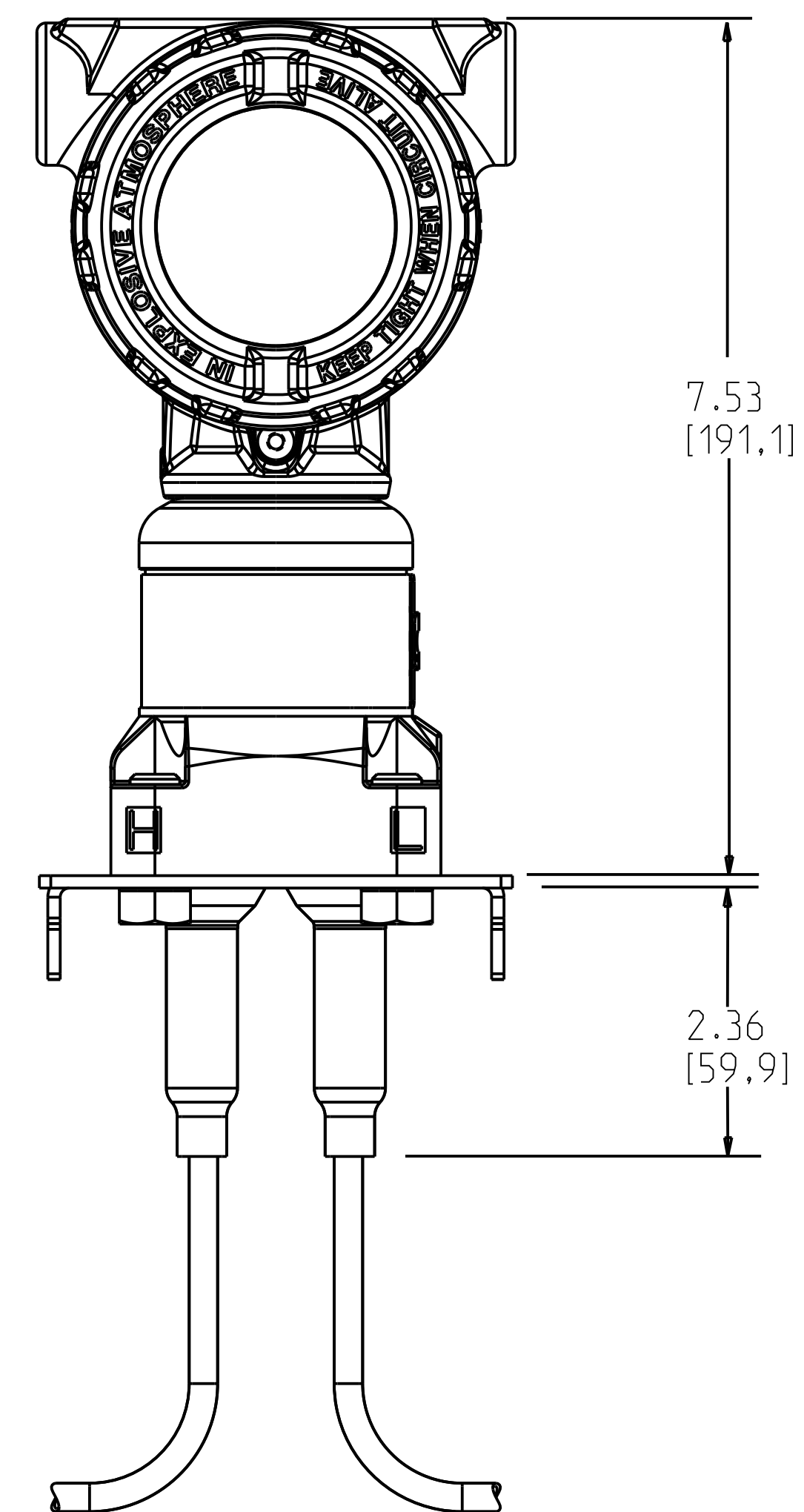
CAPILLARY CONNECTION SHOWN ON
TRANSMITTER HIGH SIDE
(DRAIN/VENT VALVE DESIGN FOR DP
MEASUREMENT)



CAPILLARY CONNECTION SHOWN
ON TRANSMITTER HIGH SIDE
(GP/AP MEASUREMENT)



CAPILLARY CONNECTION SHOWN
ON TRANSMITTER HIGH SIDE AND
LOW SIDE



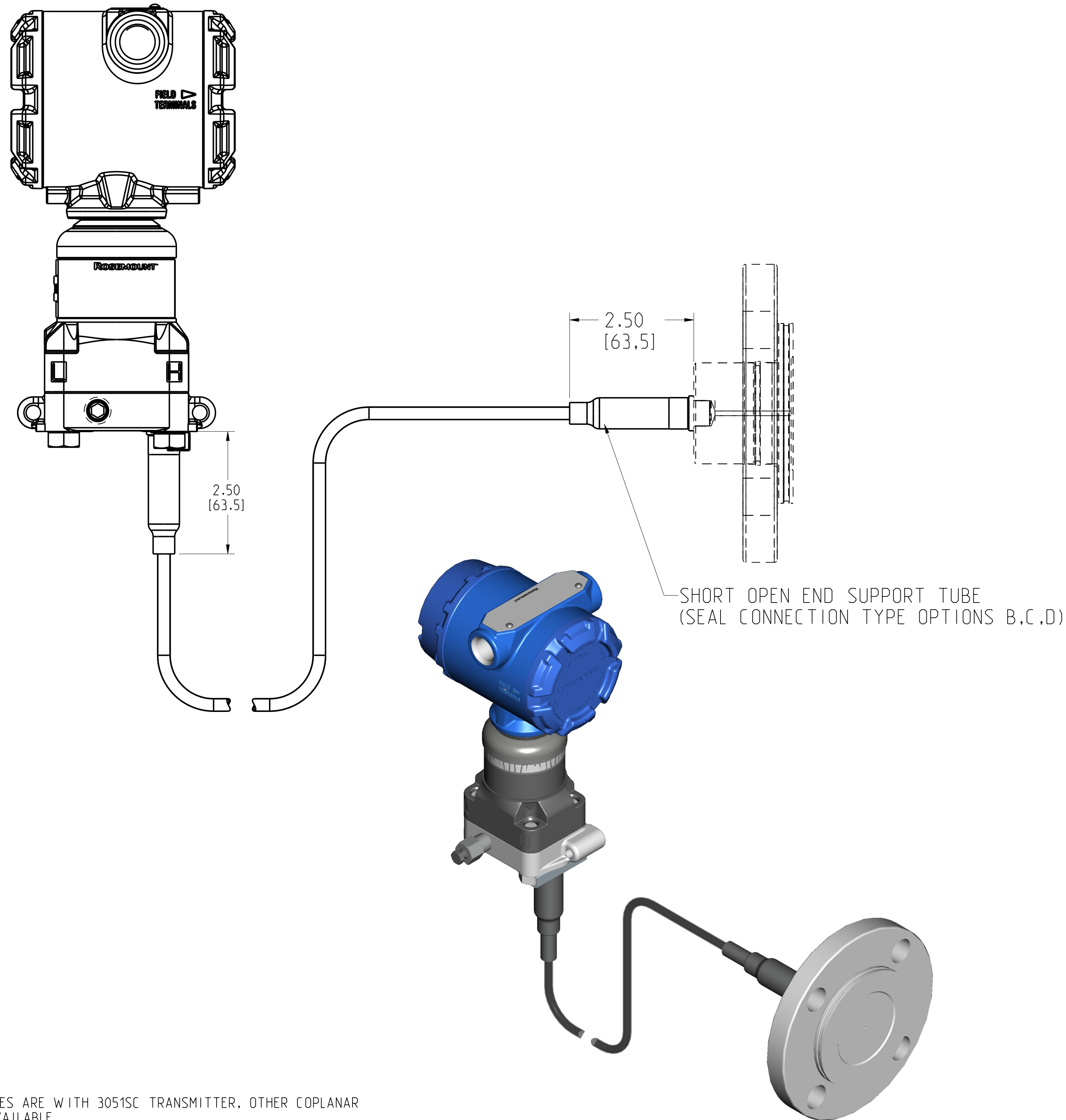
NOTE: THE SHOWN ASSEMBLIES ARE WITH 3051SC TRANSMITTER. OTHER COPLANAR
TRANSMITTERS ARE ALSO AVAILABLE.

©2015 ROSEMOUNT INC.
ROSEMOUNT INC. ACCEPTS
THIS DRAWING AS A REPRESENTATION
IN ACCORDANCE WITH
ROSEMOUNT ENGINEERING
SPECIFICATIONS.
UNIT NOTES IN INCHES (mm).
REFERENCE ROSEMOUNT
PRODUCT SHEETS FOR
PRODUCT SPECIFICATIONS.
CLICK HERE

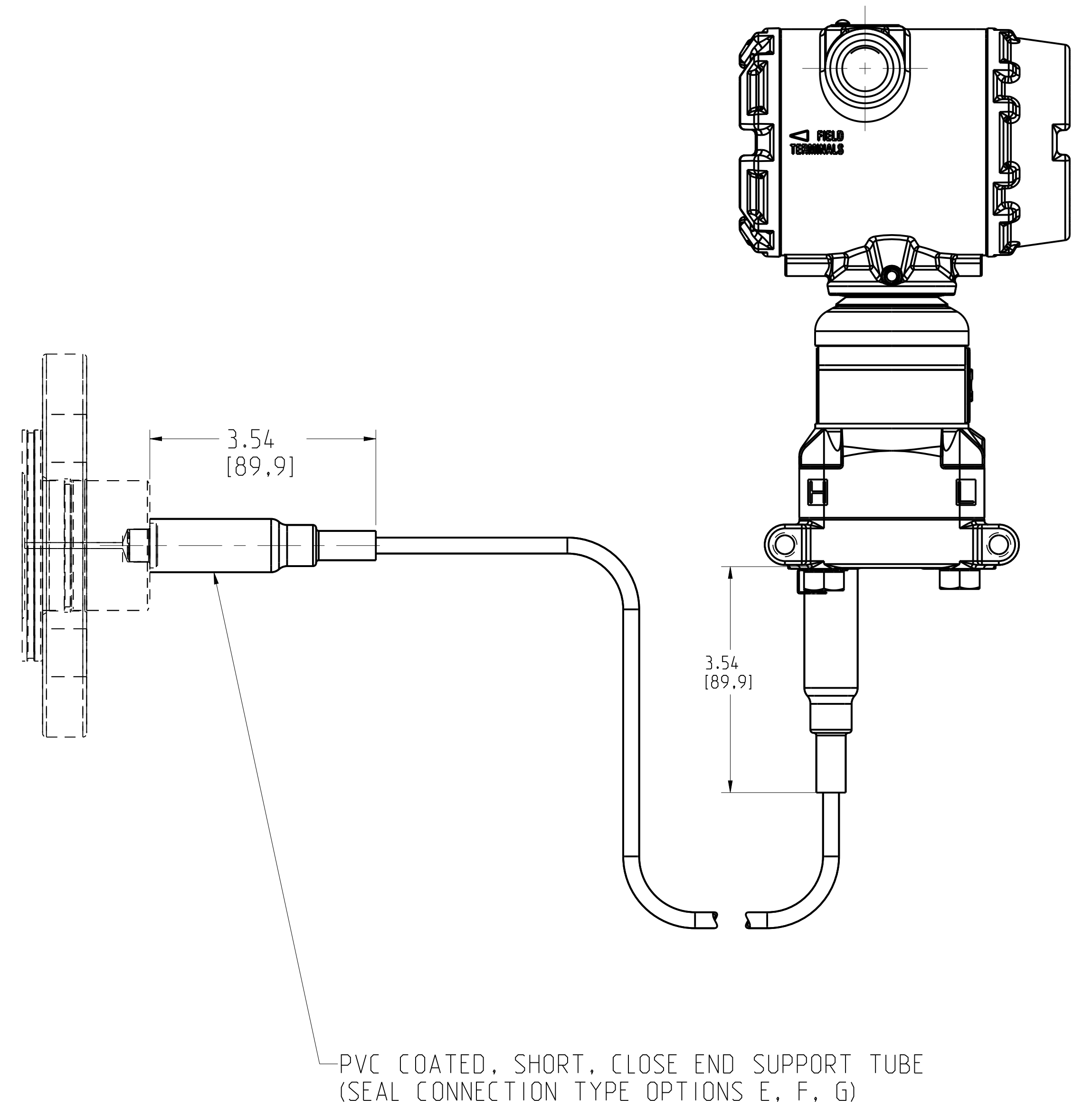
		3RD ANGLE		SIZE	SCALE
		D		D	NTS
TITLE ROSEMOUNT 1199 SEALS TYPE I DRAWING					
DR. J. ARMSTRONG	3/7/17	DRAWING NO.		01199-9500	
APP'D L.BRYANT	3/7/17				
CAD MAINTAINED (PRO/E)				SHEET 2 OF 41	

ROSEMOUNT 1199 DIAPHRAGM SEALS ASSEMBLED TO
COPLANAR TRANSMITTER WITH CAPILLARY (SEAL END)

CAPILLARY CONNECTION SHOWN
ON TRANSMITTER HIGH SIDE
(SHORT CONNECTION)



CAPILLARY CONNECTION SHOWN
ON TRANSMITTER HIGH SIDE (PVC COATED
SHORT CONNECTION)

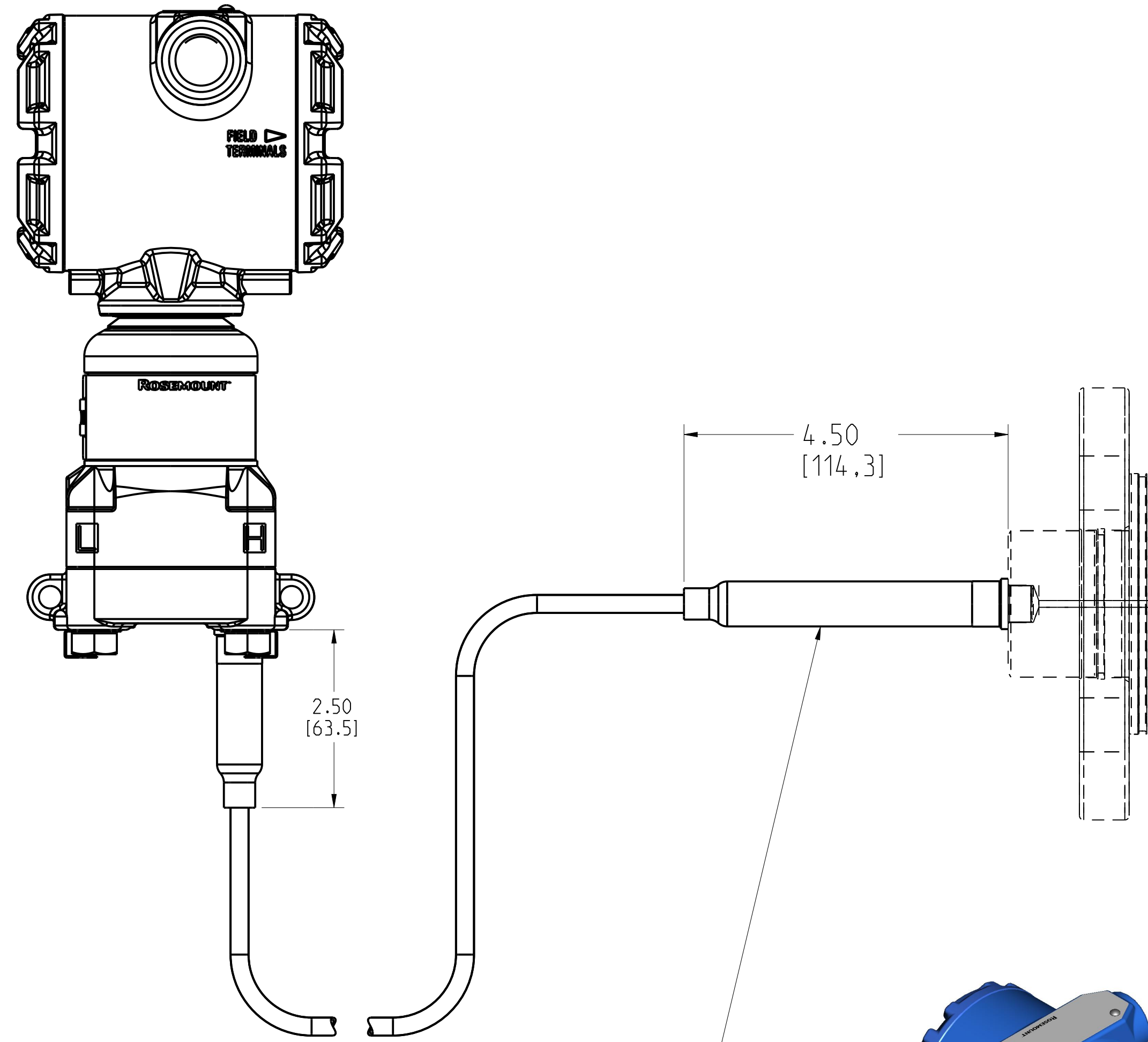


NOTE: THE SHOWN ASSEMBLIES ARE WITH 3051SC TRANSMITTER. OTHER COPLANAR TRANSMITTERS ARE ALSO AVAILABLE.

©2015 ROSEMOUNT, INC. ROSEMOUNT INC. ACCEPTS LIABILITY FOR THE INFORMATION PROVIDED HEREIN IN ACCORDANCE WITH ROSEMOUNT ENGINEERING SPECIFICATIONS. UNIT NOTES IN INCHES (mm). REFERENCE ROSEMOUNT PRODUCT SPECIFICATIONS FOR PRODUCT SPECIFICATIONS. CLICK HERE	3RD ANGLE	SIZE D	SCALE NTS
	TITLE ROSEMOUNT 1199 SEALS TYPE I DRAWING		
	DR. J. ARMSTRONG	3/7/17	DRAWING NO.
APP'D L.BRYANT	3/7/17	CAD MAINTAINED. (PRO/E)	
			SHEET 3 OF 41

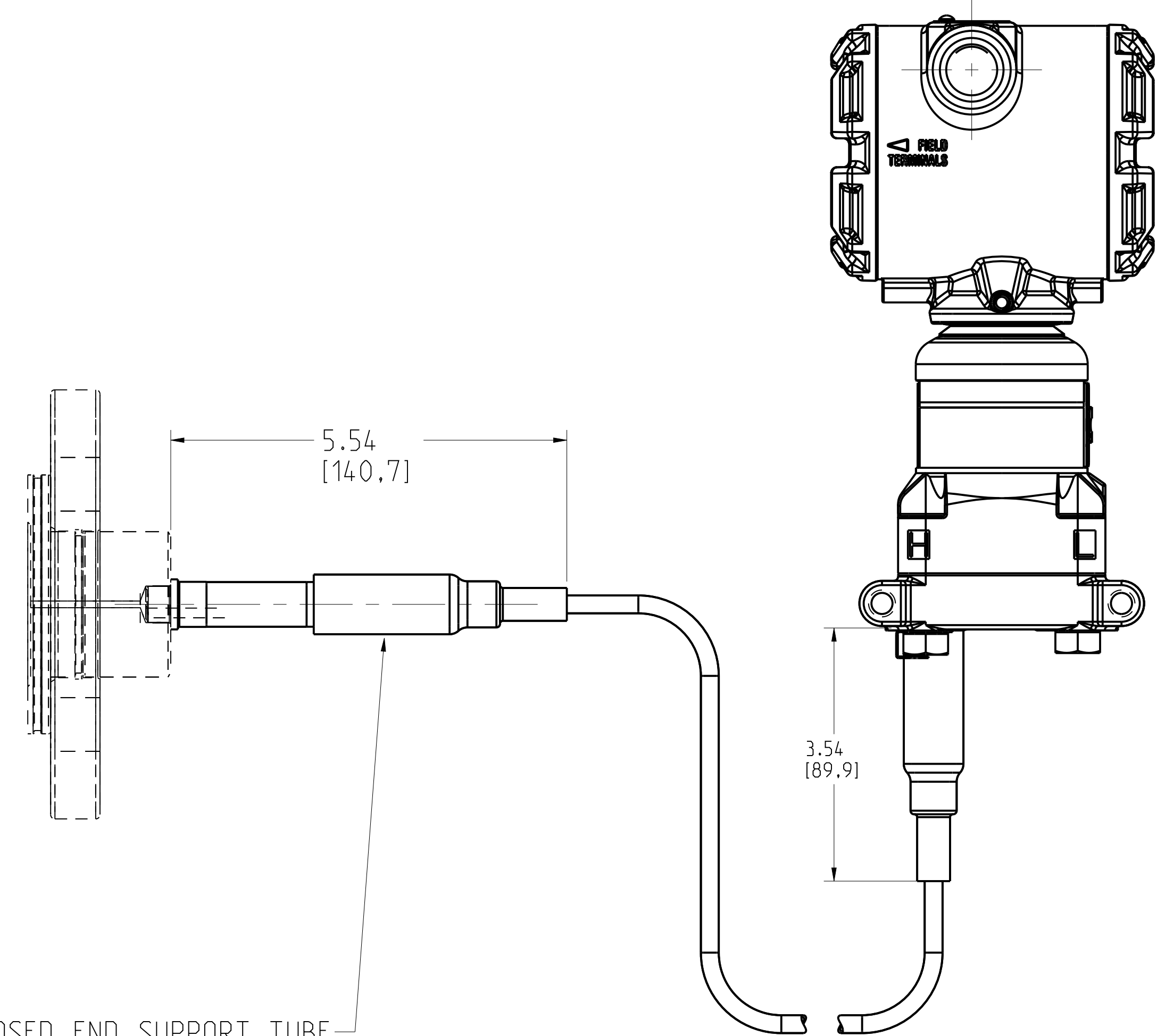
ROSEMOUNT 1199 DIAPHRAGM SEALS ASSEMBLED TO
COPLANAR TRANSMITTER WITH CAPILLARY (SEAL END)

CAPILLARY SHOWN ON TRANSMITTER HIGH SIDE
(LONG CONNECTION)



LONG, OPEN END SUPPORT TUBE
(SEAL CONNECTION TYPE OPTIONS H,J,K)

CAPILLARY CONNECTION SHOWN
ON TRANSMITTER HIGH SIDE
(PVC COATED LONG CONNECTION)



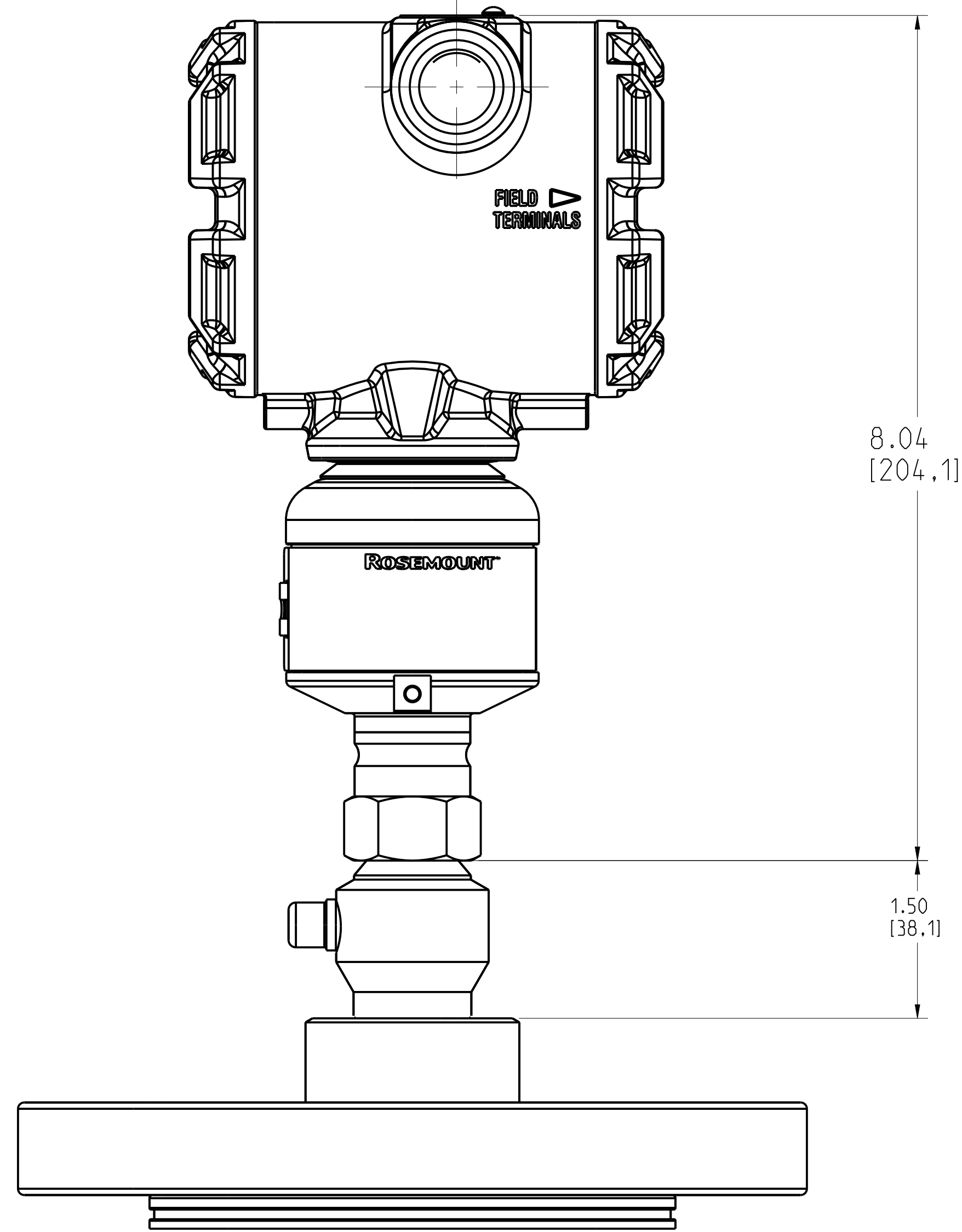
PVC COATED LONG, CLOSED END SUPPORT TUBE
(SEAL CONNECTION TYPE OPTIONS M,N,P)

NOTE: THE SHOWN ASSEMBLIES ARE WITH 3051SC TRANSMITTER. OTHER COPLANAR TRANSMITTERS ARE ALSO AVAILABLE.

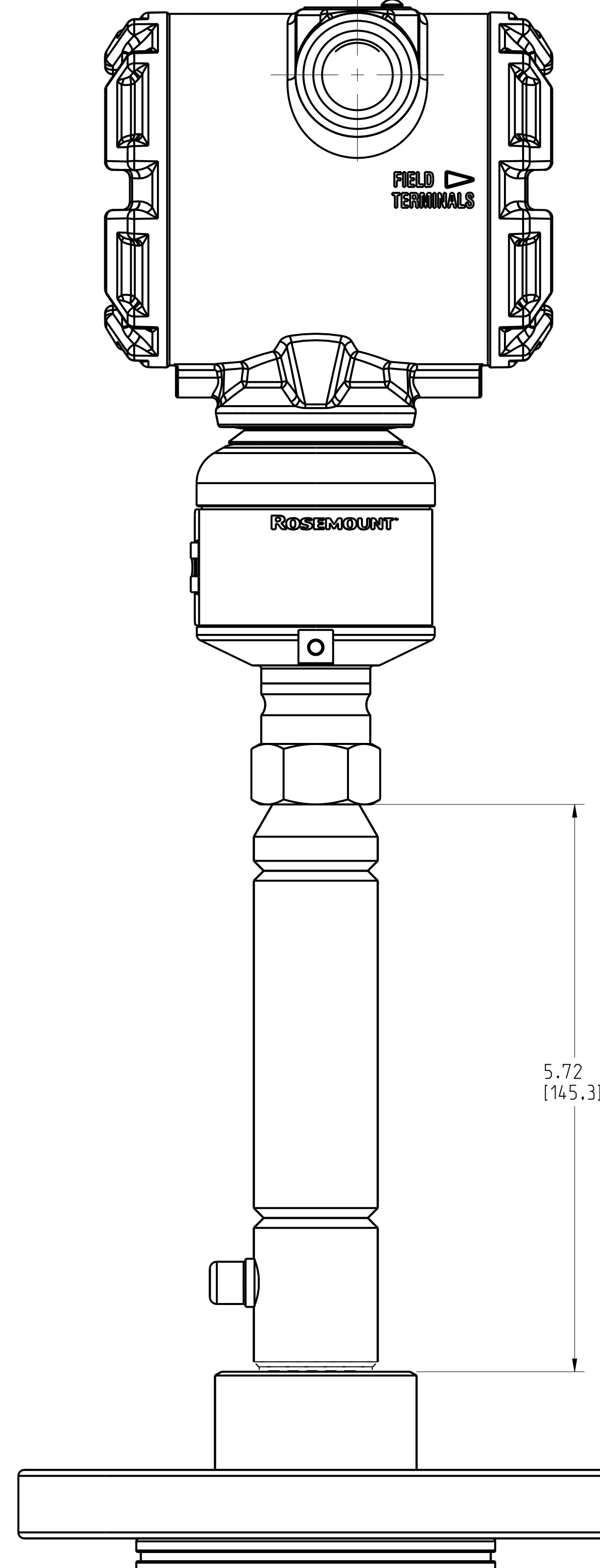
©2015 ROSEMOUNT, INC. ROSEMOUNT INCORPORATES THIS INFORMATION IN ACCORDANCE WITH ROSEMOUNT ENGINEERING SPECIFICATIONS. UNIT NOTES IN INCHES (mm). REFERENCE ROSEMOUNT PRODUCT SPECIFICATIONS FOR PRODUCT SPECIFICATIONS. CLICK HERE	3RD ANGLE	SIZE D	SCALE NTS
	TITLE ROSEMOUNT 1199 SEALS TYPE I DRAWING		
	DR. J. ARMSTRONG	3/7/17	DRAWING NO.
APP'D L.BRYANT	3/7/17	CAD MAINTAINED (PRO/E) SHEET 4 OF 41	

ROSEMOUNT 1199 DIAPHRAGM SEAL ASSEMBLED TO IN-LINE
TRANSMITTER WITH CAPILLARY OR DIRECT MOUNTED

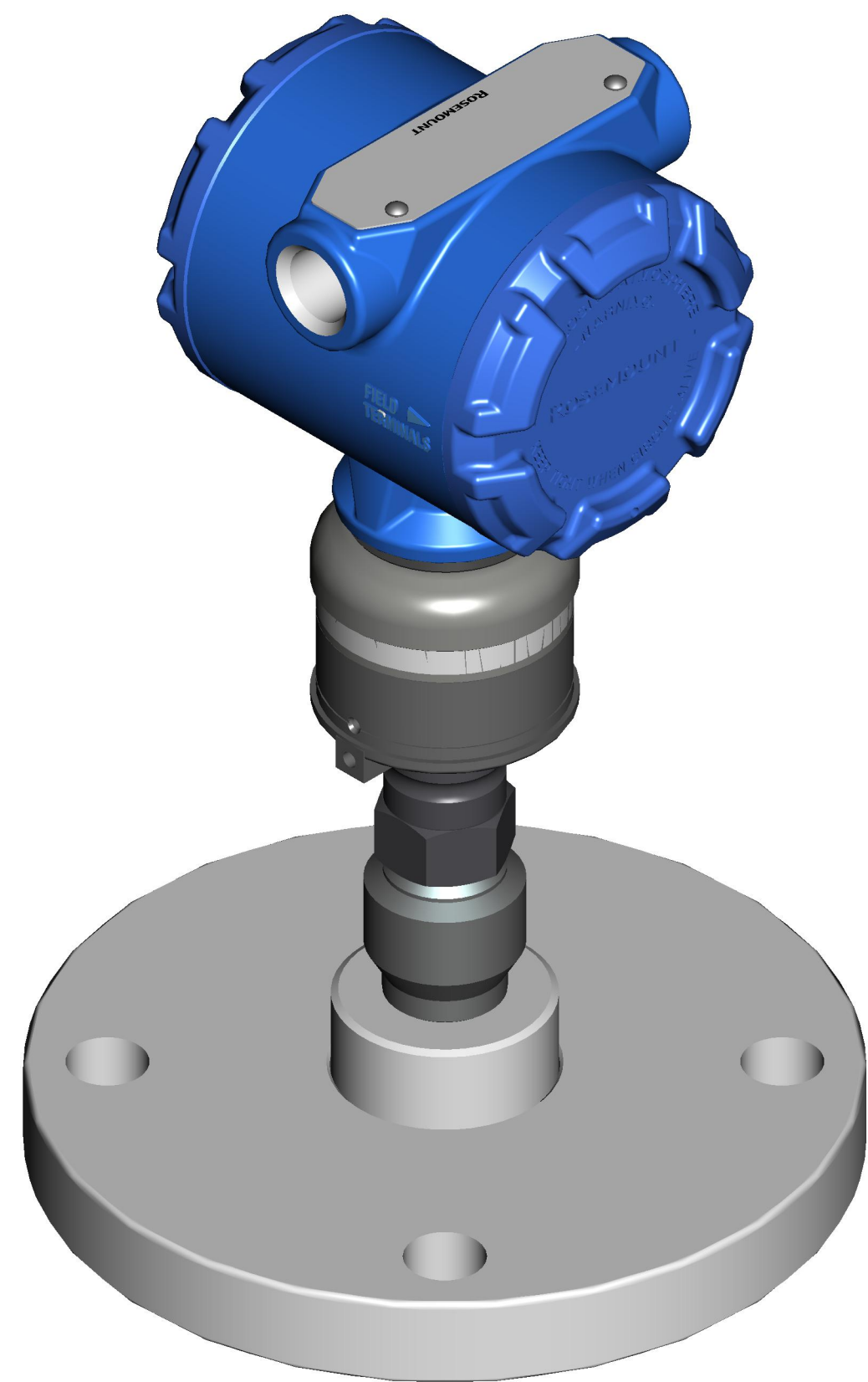
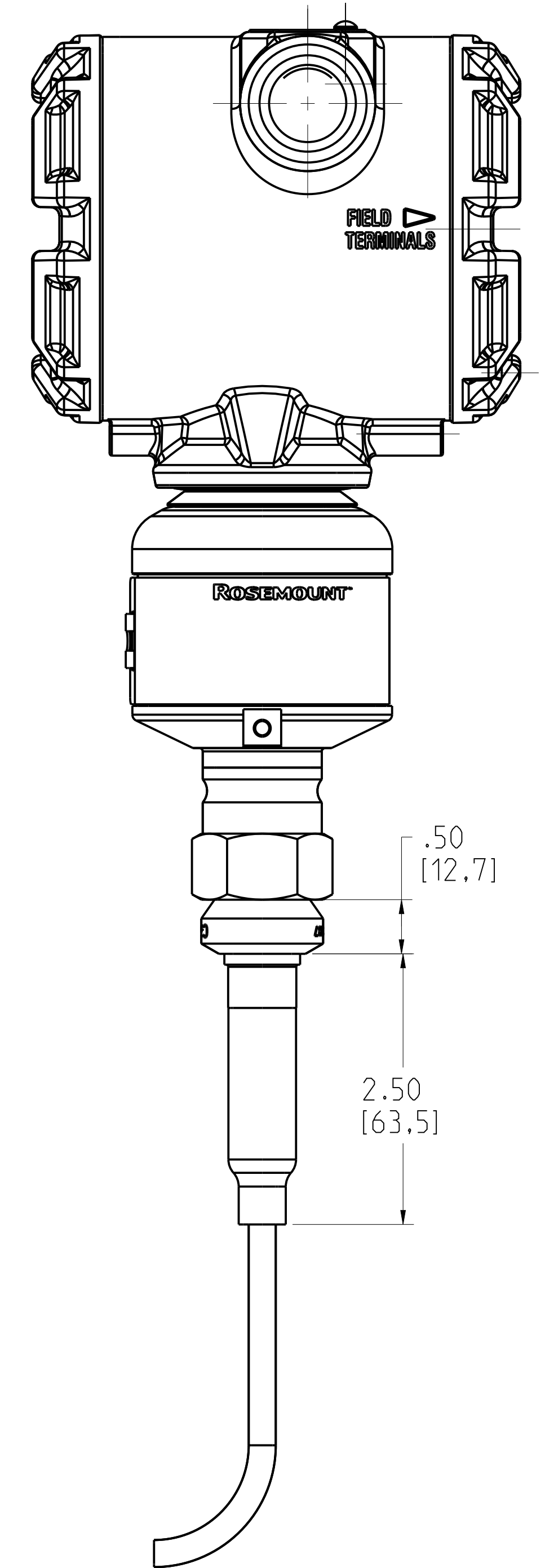
DIRECT MOUNT CONNECTION
(95 OPTION)



DIRECT MOUNT CONNECTION
(C5/D5 OPTION)



CAPILLARY CONNECTION

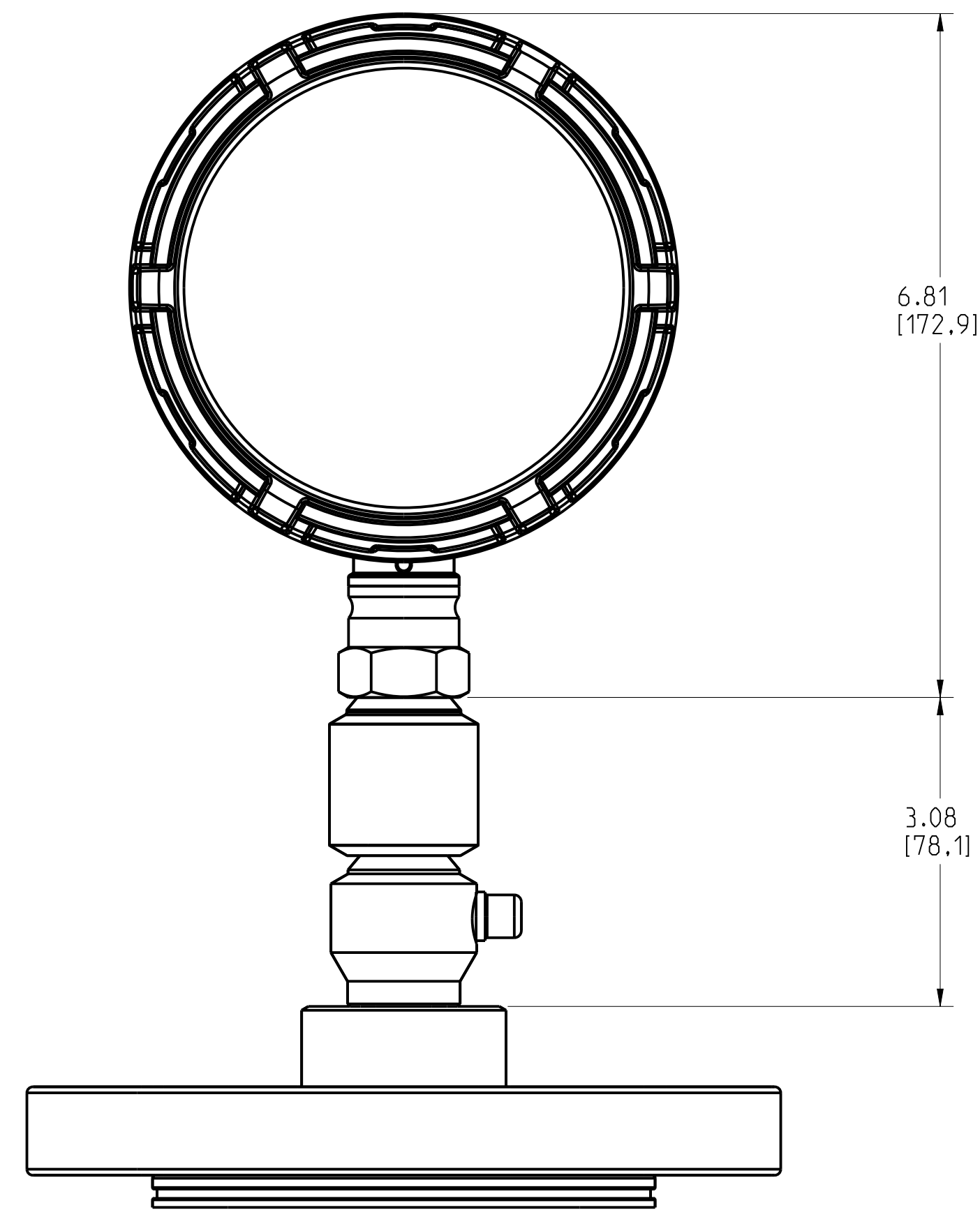


NOTE: THE SHOWN ASSEMBLIES ARE WITH 3051ST TRANSMITTER. OTHER IN-LINE TRANSMITTERS ARE ALSO AVAILABLE.

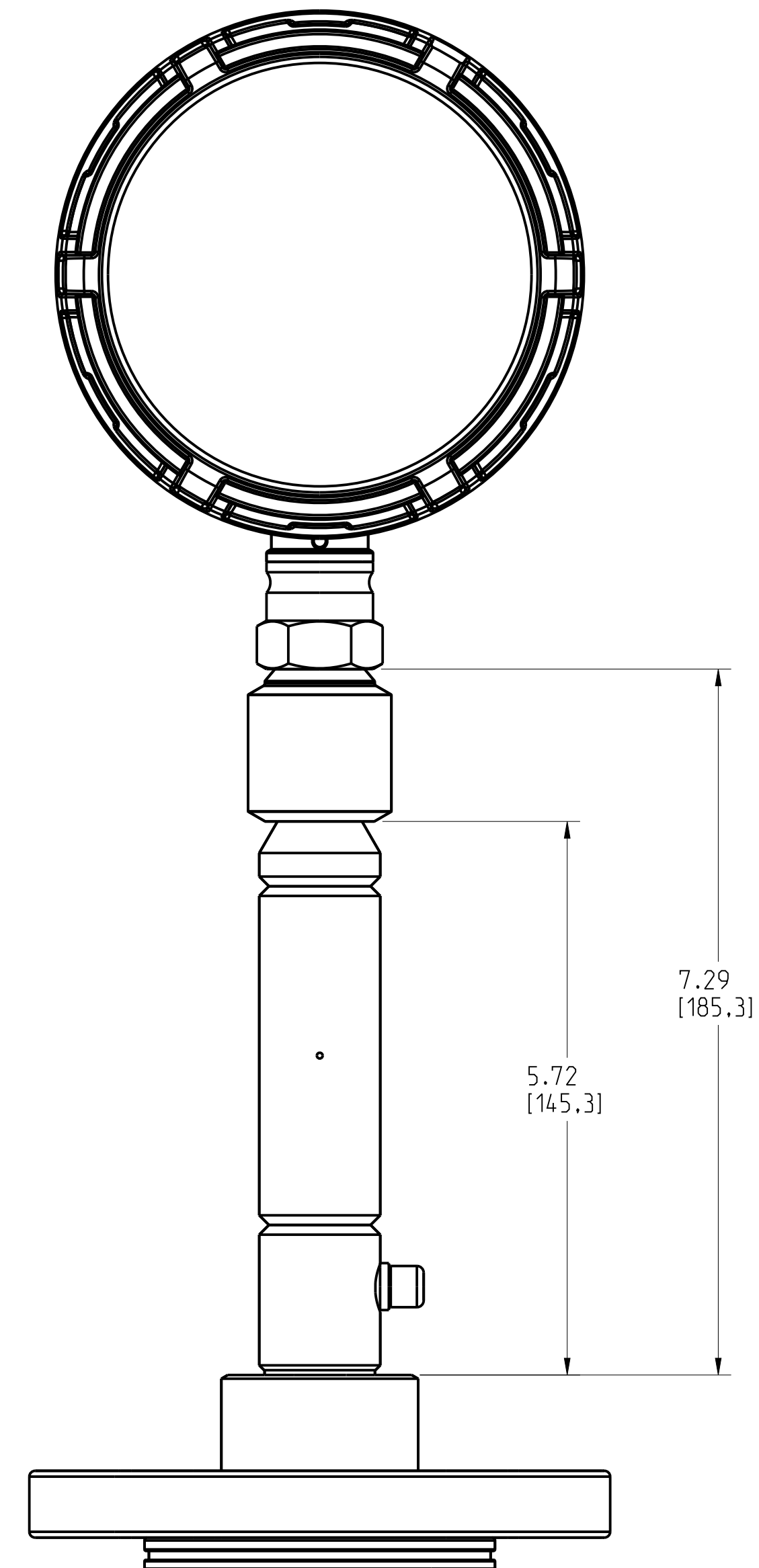
<p>©2015 ROSEMOUNT, INC. ROSEMOUNT INC. ACCEPTS NO LIABILITY FOR ERRORS IN THIS DRAWING. THIS DRAWING IS TO BE USED IN CONFORMANCE WITH ROSEMOUNT ENGINEERING SPECIFICATIONS. UNIT NOTES IN INCHES (mm).</p> <p>REFERENCE ROSEMOUNT PRODUCT SPECIFICATIONS FOR PRODUCT SPECIFICATIONS. CLICK HERE</p>	<p>3RD ANGLE</p>	<p>SIZE D</p>	<p>SCALE NTS</p>
	<p>EMERSON</p>		
	<p>TITLE ROSEMOUNT 1199 SEALS TYPE I DRAWING</p>		
	<p>DR. J. ARMSTRONG</p>	<p>3/7/17</p>	<p>DRAWING NO.</p>
<p>APP'D L.BRYANT</p>	<p>3/7/17</p>	<p>CAD MAINTAINED. (PRO/EI)</p>	
			<p>SHEET 5 OF 41</p>

ROSEMOUNT 1199 DIAPHRAGM SEAL ASSEMBLED TO WIRELESS/SMART
PRESSURE GAUGE (WPG/SPG) WITH CAPILLARY OR DIRECT MOUNTED

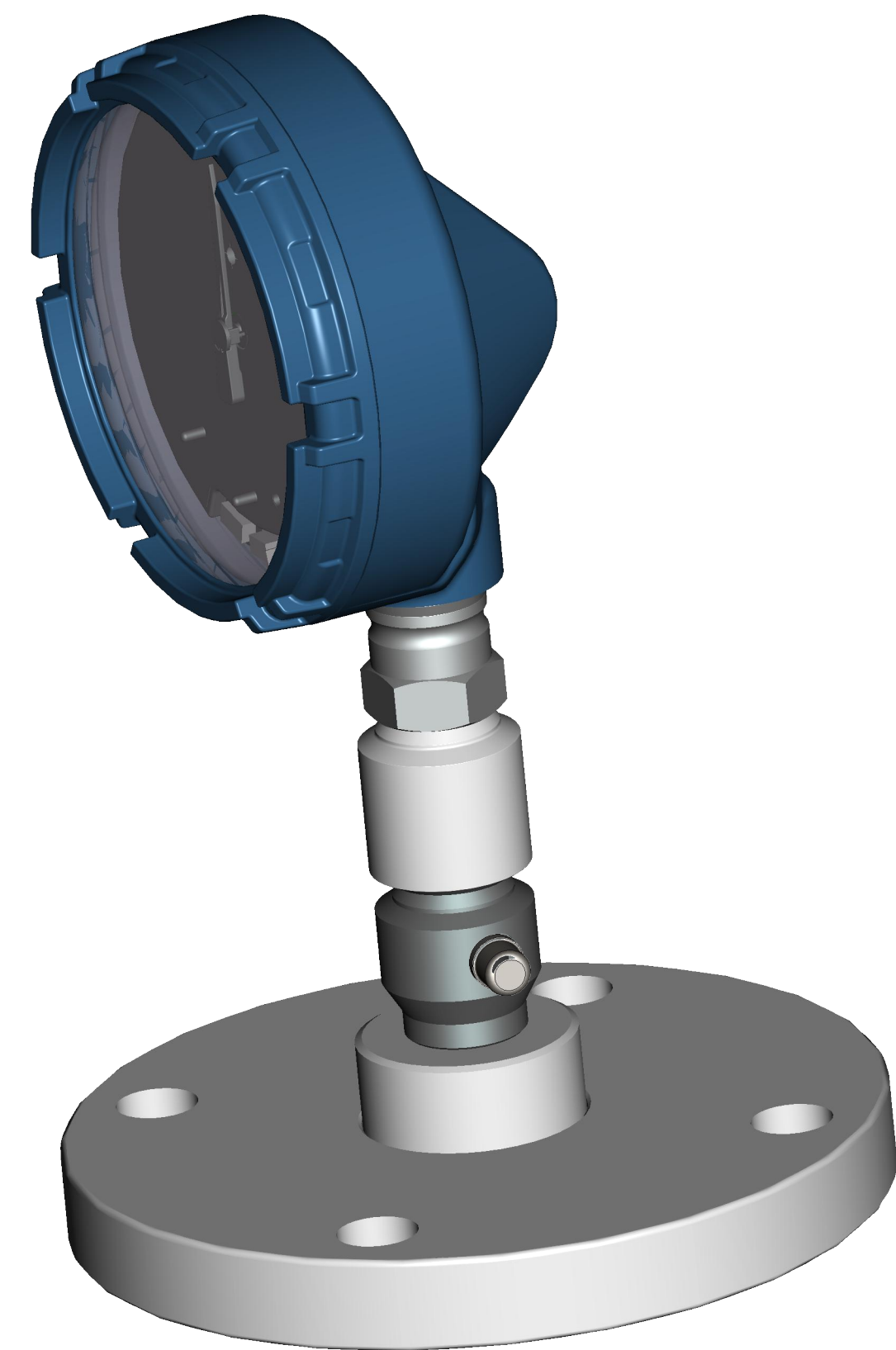
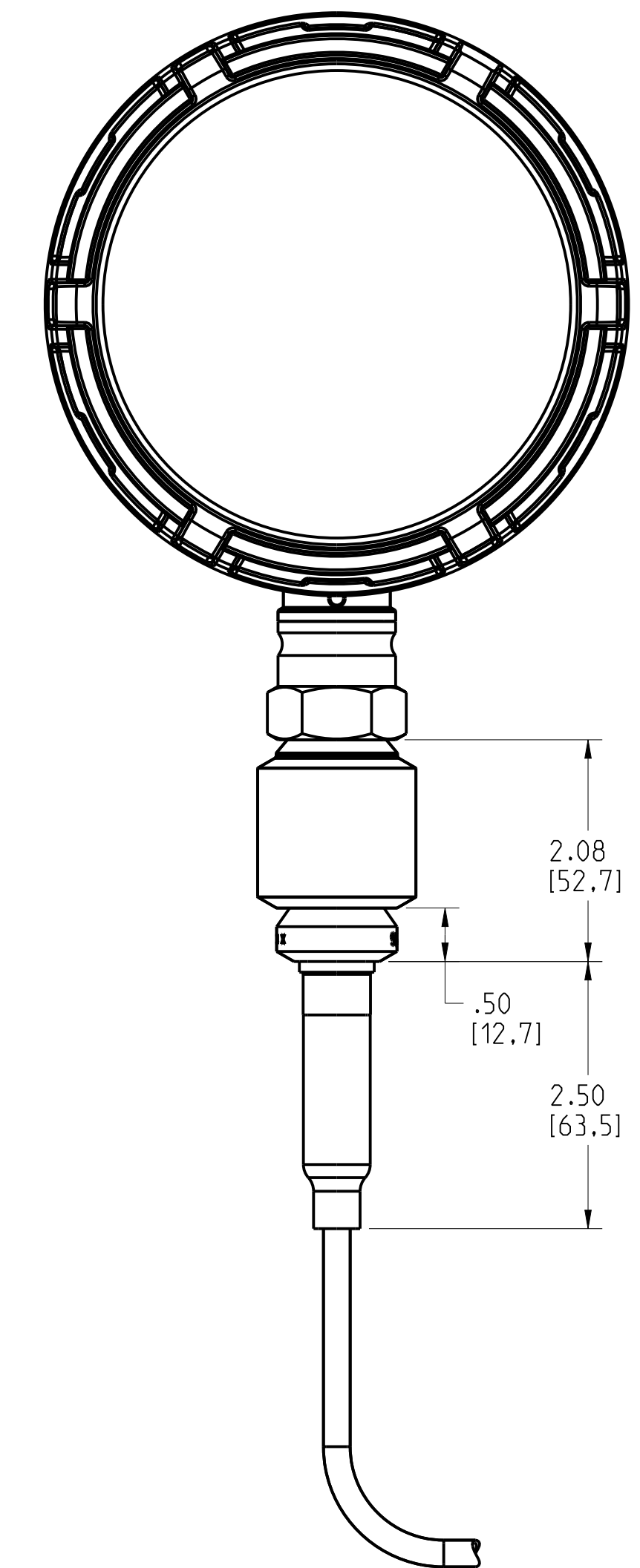
DIRECT MOUNT CONNECTION
(95 OPTION)



DIRECT MOUNT CONNECTION
(C5/D5 OPTION)



CAPILLARY CONNECTION



©2015 ROSEMOUNT, INC.
ROSEMOUNT INCORPORATES
THIS INFORMATION IN
THIS DRAWING IN ACCORDANCE WITH
ROSEMOUNT ENGINEERING
SPECIFICATIONS.
UNIT NOTES IN INCHES (mm).

REFERENCE ROSEMOUNT
PRODUCT SHEETS FOR
PRODUCT SPECIFICATIONS.
CLICK HERE

3RD ANGLE

EMERSON

TITLE ROSEMOUNT 1199 SEALS
TYPE I DRAWING

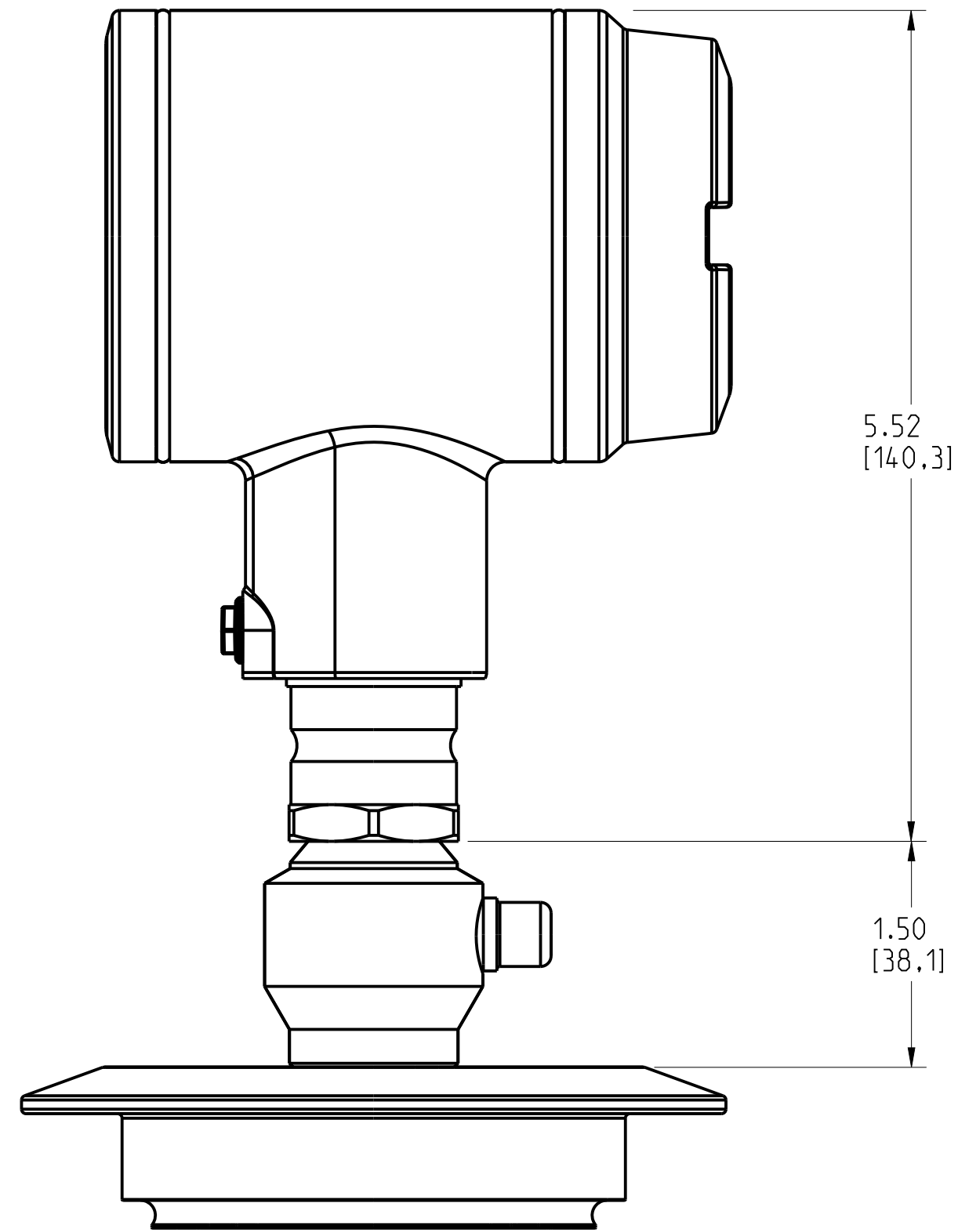
DR. J. ARMSTRONG 3/7/17 DRAWING NO. 01199-9500

APP'D L.BRYANT 3/7/17

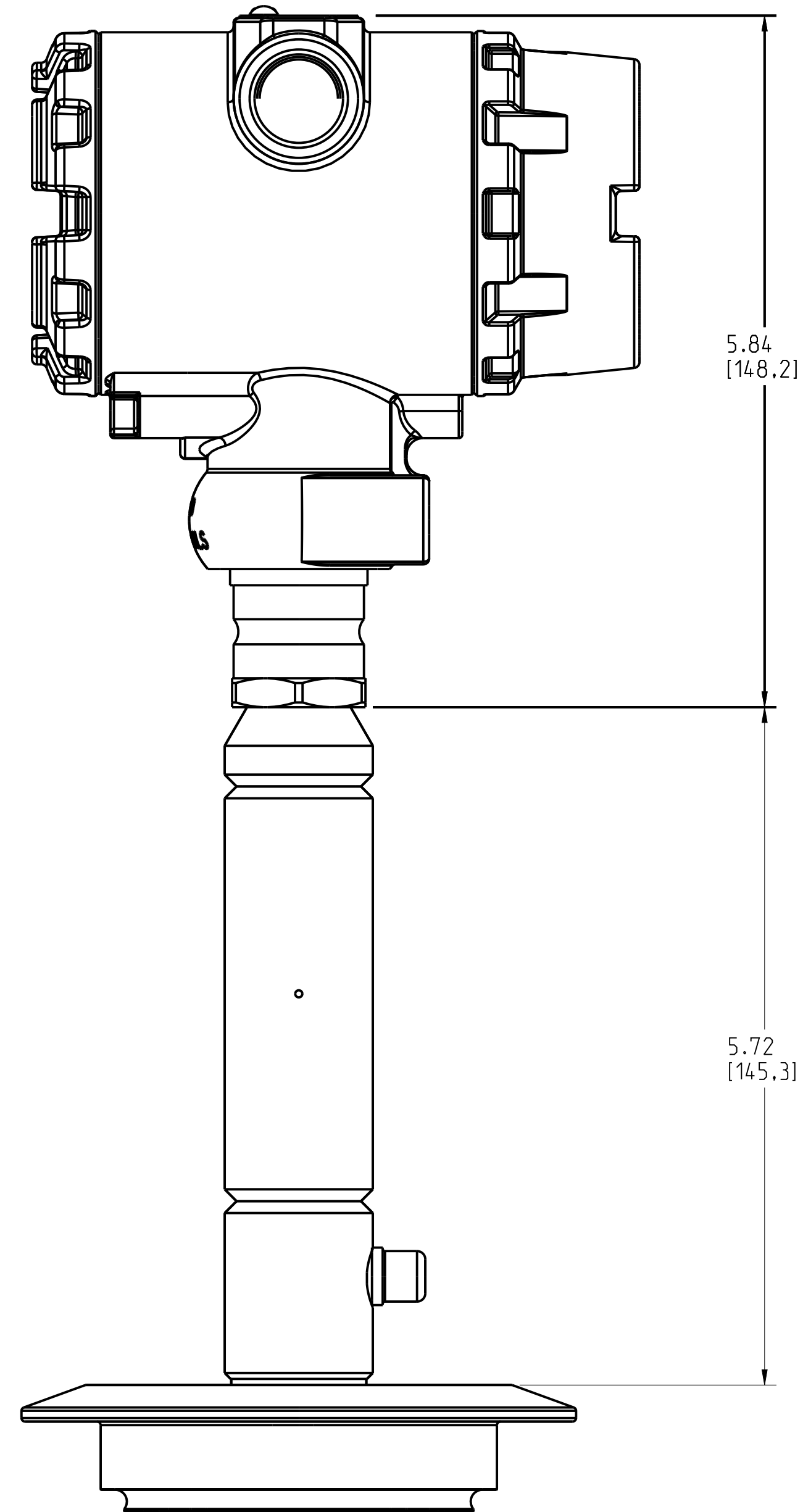
CAD MAINTAINED. (PRO/E) SHEET 6 OF 41

ROSEMOUNT 1199 DIAPHRAGM SEAL ASSEMBLED TO HYGIENIC
PRESSURE TRANSMITTER WITH CAPILLARY OR DIRECT MOUNTED

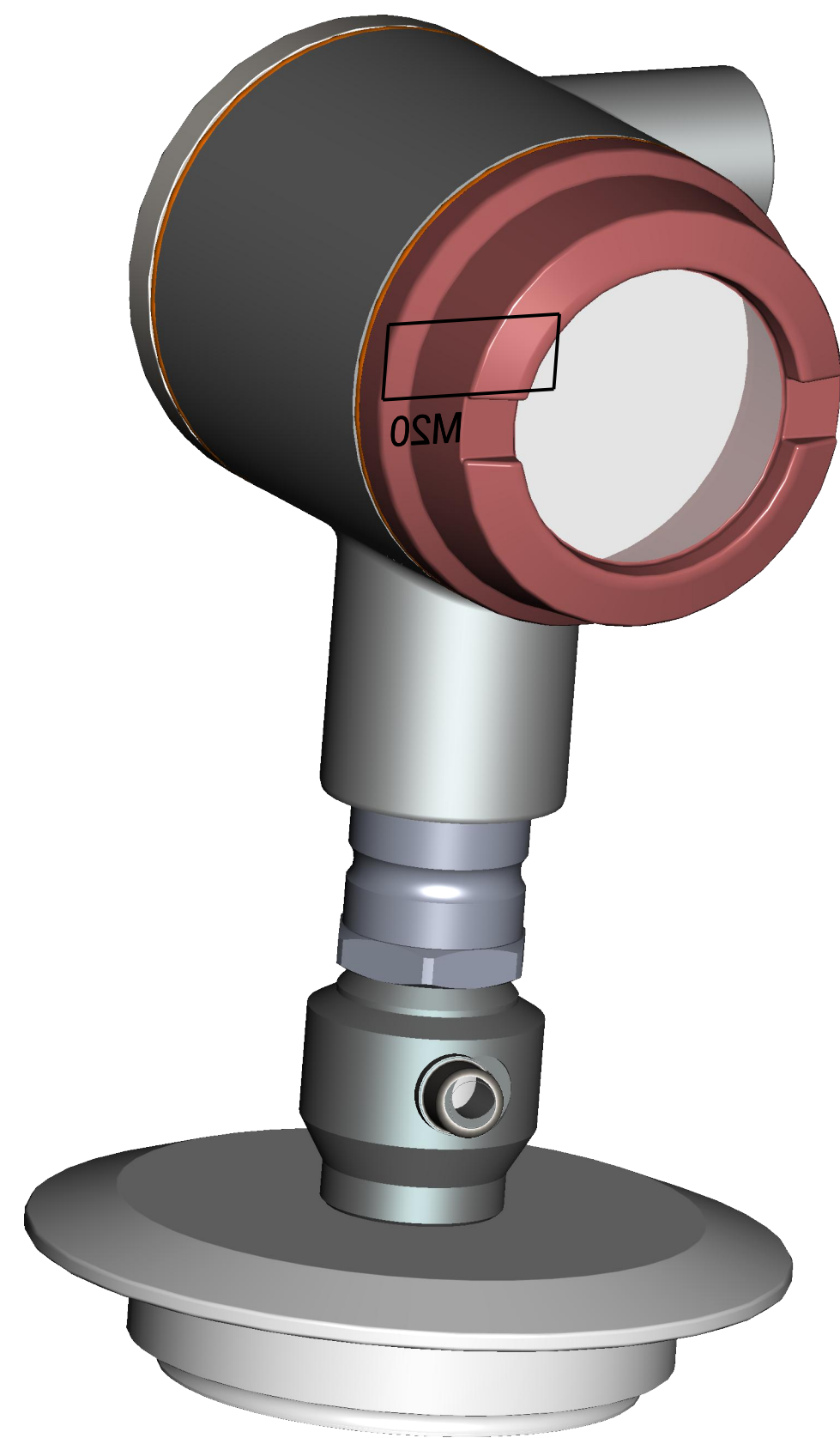
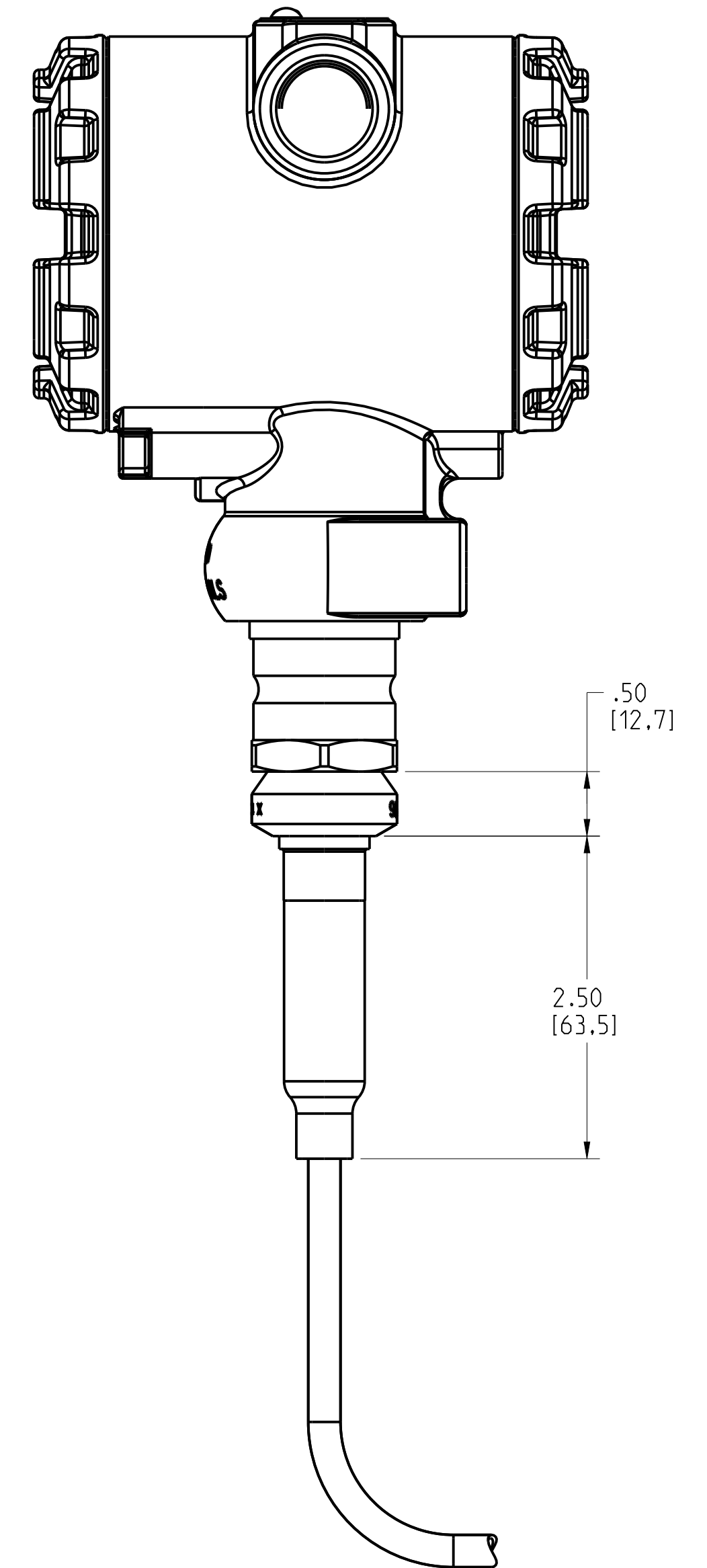
DIRECT MOUNT CONNECTION
SHOWN WITH SST HOUSING
(95 OPTION)



DIRECT MOUNT CONNECTION
SHOWN WITH ALUMINUM HOUSING
(C5/D5 OPTION)



CAPILLARY CONNECTION SHOWN
WITH ALUMINUM HOUSING

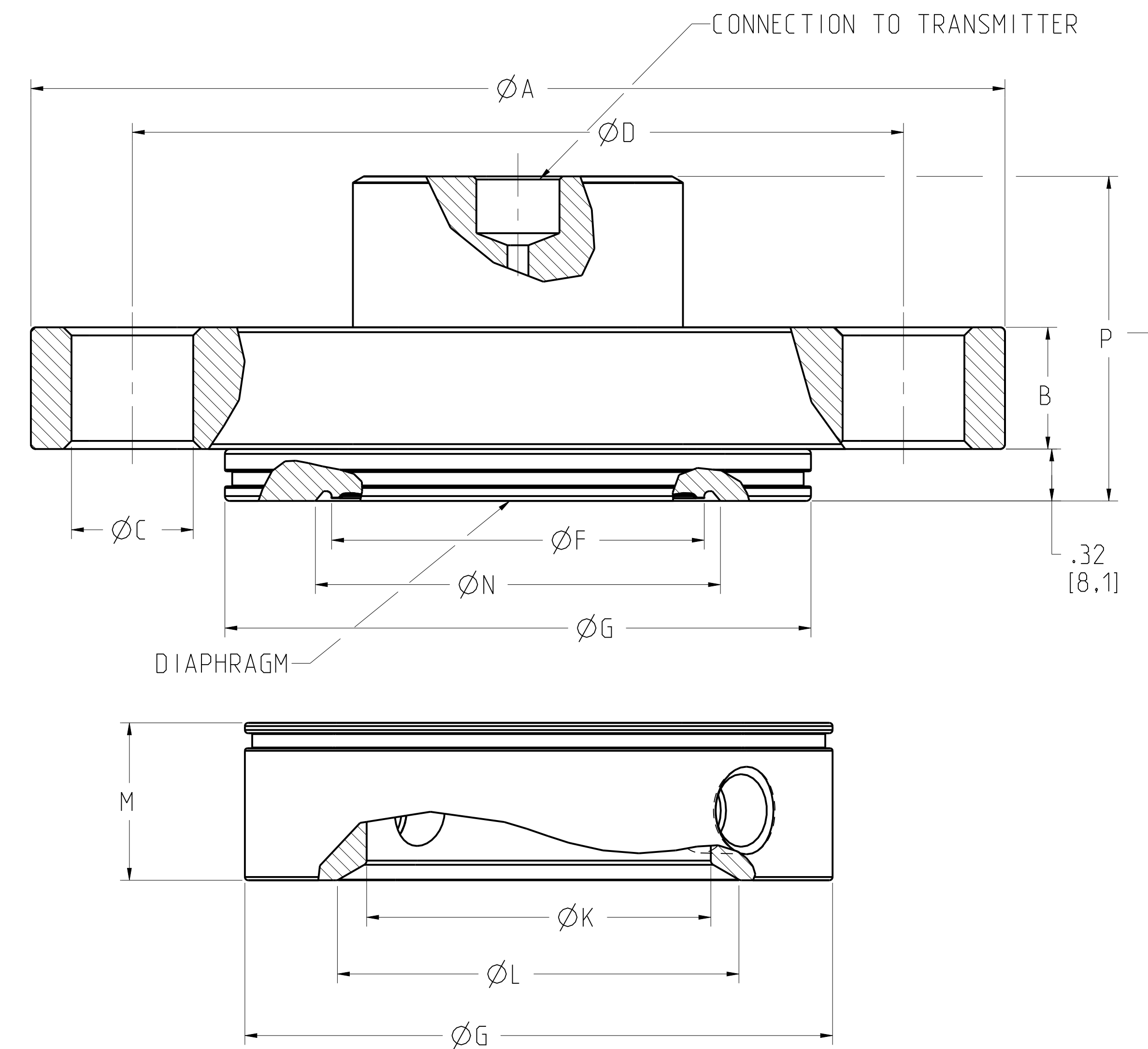
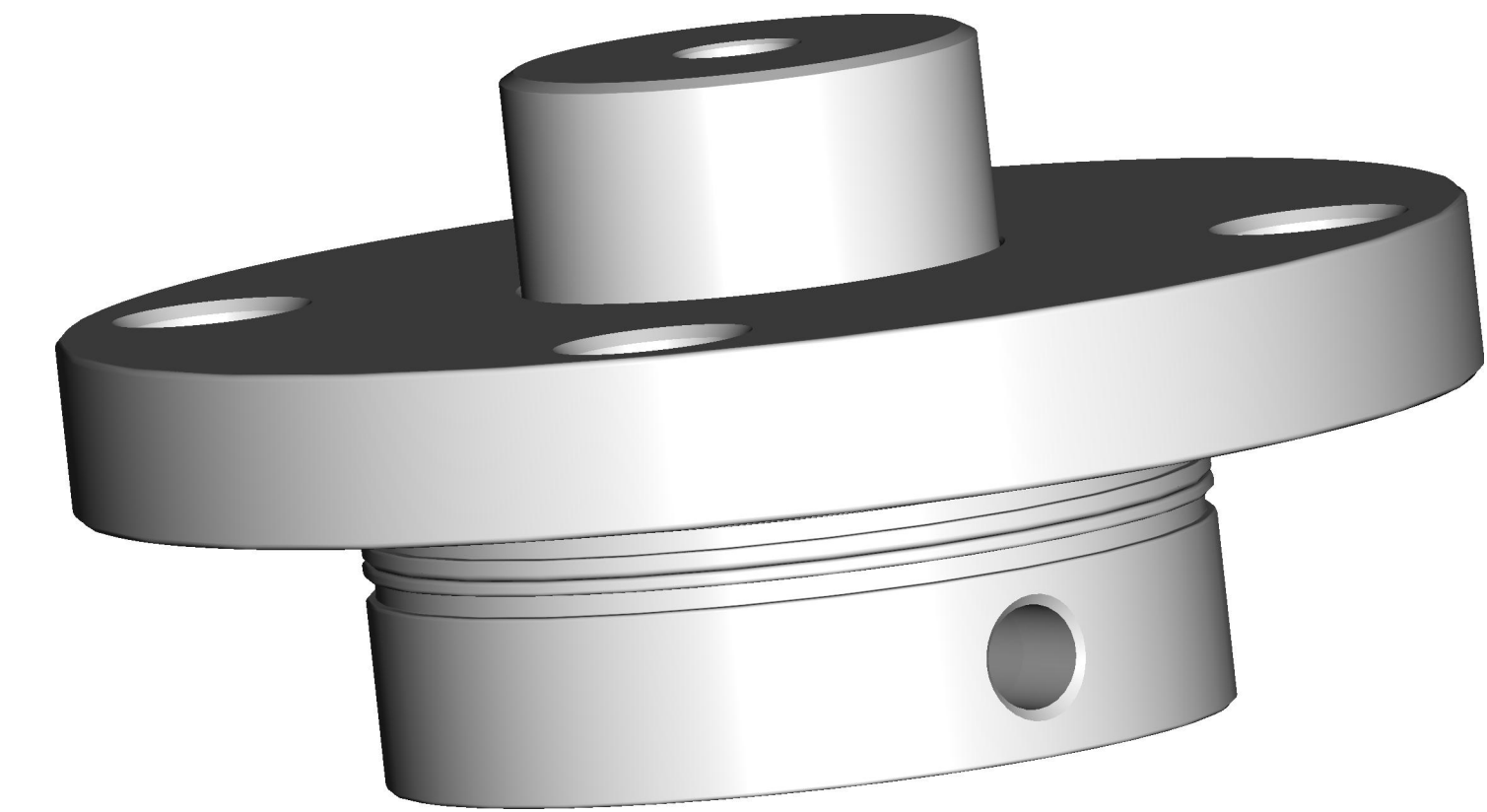


NOTE: THE SHOWN ASSEMBLIES ARE WITH A 3051HT HYGIENIC PRESSURE TRANSMITTER. OTHER HYGIENIC PRESSURE TRANSMITTERS ARE ALSO AVAILABLE.

<small>©2015 ROSEMOUNT, INC. ROSEMOUNT INC. ACCEPTS LIABILITY FOR THE INFORMATION CONTAINED IN THIS DRAWING IN ACCORDANCE WITH ROSEMOUNT ENGINEERING SPECIFICATIONS. UNIT NOTES IN INCHES (mm). REFERENCE ROSEMOUNT PRODUCT SPECIFICATIONS FOR PRODUCT SPECIFICATIONS. CLICK HERE</small>					
	TITLE ROSEMOUNT 1199 SEALS TYPE I DRAWING				
	DR. J. ARMSTRONG	3/7/17	DRAWING NO.	01199-9500	
	APP'D L.BRYANT	3/7/17	SHEET 7 OF 41		

FLUSHED FLANGED SEAL (FFW)

	PIPE SIZE	CLASS	FLANGE DIAMETER "A"	FLANGE THICKNESS "B"	BOLT HOLE DIAMETER "C"	BOLT CIRCLE "D"	# OF BOLTS	STANDARD DIAPHRAGM DIAMETER "F"
ASME B16.5	2"	150#	6.00 (152)	0.69 (18)	0.75 (19)	4.75 (121)	4	2.30 (58)
		300#	6.50 (165)	0.81 (21)	0.75 (19)	5.00 (127)	8	2.30 (58)
		600#	6.50 (165)	1.00 (25)	0.75 (19)	5.00 (127)	8	2.30 (58)
		900#	8.50 (216)	1.50 (38)	1.00 (25)	6.50 (165)	8	2.30 (58)
		1500#	8.50 (216)	1.50 (38)	1.00 (25)	6.50 (165)	8	2.30 (58)
	3"	2500#	9.25 (235)	2.00 (51)	1.13 (29)	6.75 (172)	8	2.30 (58)
		150#	7.50 (191)	0.88 (22)	0.75 (19)	6.00 (152)	4	3.50 (89)
		300#	8.25 (210)	1.06 (27)	0.88 (22)	6.62 (168)	8	3.50 (89)
		600#	8.25 (210)	1.25 (32)	0.88 (22)	6.62 (168)	8	3.50 (89)
		900#	9.50 (241)	1.50 (38)	1.00 (25)	7.50 (191)	8	3.50 (89)
	4"	1500#	10.50 (267)	1.88 (48)	1.25 (32)	8.00 (203)	8	3.50 (89)
		2500#	12.00 (14.00)	2.62 (67)	1.38 (35)	9.00 (229)	8	3.50 (89)
		150#	9.00 (229)	0.88 (22)	0.75 (19)	7.50 (191)	8	3.50 (89)
		300#	10.0 (254)	1.19 (30)	0.88 (22)	7.88 (200)	8	3.50 (89)
		600#	10.75 (273)	1.50 (38)	1.00 (25)	8.50 (216)	8	3.50 (89)
EN1092-1	DN50	900#	11.50 (292)	1.75 (45)	1.25 (32)	9.25 (235)	8	3.50 (89)
		1500#	12.25 (311)	2.12 (54)	1.38 (35)	9.50 (241)	8	3.50 (89)
		2500#	14.00 (356)	3.00 (76)	1.63 (41)	10.75 (274)	8	3.50 (89)
		PN40	6.50 (165)	0.67 (17)	0.71 (18)	4.92 (125)	4	2.30 (58)
		PN63	7.09 (180)	0.91 (23)	0.87 (22)	5.31 (135)	4	2.30 (58)
DN80	PN100	7.68 (195)	0.99 (25)	1.02 (26)	5.71 (145)	4	2.30 (58)	
	PN160	7.68 (195)	1.06 (27)	1.02 (26)	5.71 (145)	4	2.30 (58)	
	PN40	7.87 (200)	0.94 (24)	0.71 (18)	6.30 (160)	8	3.50 (89)	
	PN63	8.46 (215)	1.10 (28)	0.88 (22)	6.69 (170)	8	3.50 (89)	
	PN100	9.06 (230)	1.26 (32)	1.02 (26)	7.09 (180)	8	3.50 (89)	
DN100	PN160	9.06 (230)	1.30 (33)	1.02 (26)	7.09 (180)	8	3.50 (89)	
	PN10/16	8.66 (220)	0.79 (20)	0.71 (18)	7.09 (180)	8	3.50 (89)	
	PN40	9.25 (235)	0.94 (24)	0.87 (22)	7.48 (190)	8	3.50 (89)	
	PN63	9.84 (250)	1.18 (30)	1.02 (26)	7.87 (200)	8	3.50 (89)	
	PN100	10.43 (265)	1.30 (33)	1.18 (30)	8.27 (210)	8	3.50 (89)	
JIS 2220	50A	PN160	10.43 (265)	1.46 (37)	1.18 (30)	8.27 (210)	8	3.50 (89)
		10K	6.10 (155)	0.63 (16)	0.75 (19)	4.72 (120)	4	2.30 (58)
		20K	6.10 (155)	0.71 (18)	0.75 (19)	4.72 (120)	8	2.30 (58)
		40K	6.50 (165)	1.02 (26)	0.75 (19)	5.12 (130)	8	2.30 (58)
	80A	10K	7.28 (185)	0.71 (18)	0.75 (19)	5.91 (150)	8	3.50 (89)
		20K	7.87 (200)	0.87 (22)	0.91 (23)	6.30 (160)	8	3.50 (89)
	100A	40K	8.27 (210)	1.26 (32)	0.91 (23)	6.69 (170)	8	3.50 (89)
		10K	8.27 (210)	0.71 (18)	0.75 (19)	6.89 (175)	8	3.50 (89)
		20K	8.86 (225)	0.95 (24)	0.91 (23)	7.28 (185)	8	3.50 (89)
		40K	9.84 (250)	1.42 (36)	0.98 (25)	8.07 (205)	8	3.50 (89)



DIMENSIONS IN INCHES (MILLIMETERS)

©2015 ROSEMOUNT INC. ROSEMOUNT INC. RESERVES THE RIGHT TO MAKE CHANGES IN THIS DRAWING WITHOUT NOTICE. THIS DRAWING IS THE PROPERTY OF ROSEMOUNT INC. AND IS NOT TO BE REPRODUCED OR TRANSMITTED IN ANY FORM OR BY ANY MEANS, ELECTRONIC OR MECHANICAL, INCLUDING PHOTOCOPYING, RECORDING, OR BY ANY INFORMATION STORAGE AND RETRIEVAL SYSTEM. UNLESS OTHERWISE SPECIFIED, DIMENSIONS ARE IN INCHES (MILLIMETERS).

REFERENCE ROSEMOUNT INC. PRODUCT SPECIFICATIONS FOR PRODUCT SPECIFICATIONS. CLICK HERE

EMERSON

TITLE: ROSEMOUNT 1199 SEALS TYPE I DRAWING

DR. J. ARMSTRONG 3/7/17 DRAWING NO. 01199-9500

APP'D L.BRYANT 3/7/17

CAD MAINTAINED (PRO/E) SHEET 8 OF 41

FLUSHED FLANGED SEAL (FFW) (CONTINUED TABLE)

PIPE SIZE (CONT.) ASME B16.5	CLASS (CONT.)	RAISED FACE DIAMETER "G"	INNER DIAMETER "K"	BEVELED EDGE "L"	THICKNESS WITH 1/4-NPT F.C. "M"	THICKNESS WITH 1/2-NPT F.C. "M"	GASKET SURFACE DIAMETER "N"	HEIGHT "P"	WEIGHT lb. (kg)	
2"	150#	3.62 (92)	2.12 (54)	2.48 (63)	0.97 (25)	1.30 (33)	2.50 (64)	2.00 (51)	7.40(3.33)	
	300#	3.62 (92)	2.12 (54)	2.48 (63)	0.97 (25)	1.30 (33)	2.50 (64)	2.00 (51)	8.99(4.05)	
	600#	3.62 (92)	2.12 (54)	2.48 (63)	0.97 (25)	1.30 (33)	2.50 (64)	2.00 (51)	10.44(4.70)	
	900#	3.62 (92)	2.12 (54)	2.48 (63)	0.97 (25)	1.30 (33)	2.50 (64)	2.57 (65)-2.75 (70)	24.62(11.08)	
	1500#	3.62 (92)	2.12 (54)	2.48 (63)	0.97 (25)	1.30 (33)	2.50 (64)	2.57 (65)-2.75 (70)	24.62(11.08)	
3"	2500#	3.62 (92)	2.12 (54)	2.48 (63)	0.97 (25)	1.30 (33)	2.50 (64)	2.57 (65)-2.75 (70)	36.71(16.52)	
	150#	5.00 (127)	3.60 (91)	-	0.97 (25)	1.30 (33)	3.70(94)	2.00 (51)	13.79(6.21)	
	300#	5.00 (127)	3.60 (91)	-	0.97 (25)	1.30 (33)	3.70(94)	2.00 (51)	17.84(8.03)	
	600#	5.00 (127)	3.60 (91)	-	0.97 (25)	1.30 (33)	3.70(94)	2.00 (51)	20.31(9.14)	
	900#	5.00 (127)	3.60 (91)	-	0.97 (25)	1.30 (33)	3.70(94)	2.57 (65)-2.75 (70)	33.21(14.94)	
4"	1500#	5.00 (127)	3.60 (91)	-	0.97 (25)	1.30 (33)	3.70(94)	2.57 (65)-2.75 (70)	46.76(21.04)	
	2500#	5.00 (127)	3.60 (91)	-	0.97 (25)	1.30 (33)	3.70(94)	2.57 (65)-2.75 (70)	81.34(36.60)	
	150#	6.20 (157)	3.60 (91)	-	0.97 (25)	1.30 (33)	3.70(94)	2.00 (51)	19.56(8.80)	
	300#	6.20 (157)	3.60 (91)	-	0.97 (25)	1.30 (33)	3.70(94)	2.00 (51)	29.56(13.30)	
	600#	6.20 (157)	3.60 (91)	-	0.97 (25)	1.30 (33)	3.70(94)	2.00 (51)	40.73(18.33)	
EN1092-1	900#	6.20 (157)	3.60 (91)	-	0.97 (25)	1.30 (33)	3.70(94)	3.75 (95)	53.16(23.92)	
	1500#	6.20 (157)	3.60 (91)	-	0.97 (25)	1.30 (33)	3.70(94)	3.75 (95)	71.72(32.27)	
	2500#	6.20 (157)	3.60 (91)	-	0.97 (25)	1.30 (33)	3.70(94)	3.75 (95)	125.72(56.57)	
	DN50	PN40	4.00 (102)	2.40 (61)	-	0.97 (25)	1.30 (33)	2.50 (64)	2.00 (51)	9.02(4.06)
		PN63	4.00 (102)	2.40 (61)	-	0.97 (25)	1.30 (33)	2.50 (64)	2.00 (51)	12.58(5.66)
DN80	PN100	4.00 (102)	2.40 (61)	-	0.97 (25)	1.30 (33)	2.50 (64)	2.00 (51)	15.23(6.85)	
	PN160	4.00 (102)	2.40 (61)	-	0.97 (25)	1.30 (33)	2.50 (64)	2.00 (51)	16.12(7.25)	
	PN40	5.43 (138)	3.60 (91)	-	0.97 (25)	1.30 (33)	3.70 (94)	2.00 (51)	15.03(6.76)	
	PN63	5.43 (138)	3.60 (91)	-	0.97 (25)	1.30 (33)	3.70 (94)	2.00 (51)	18.87(8.49)	
	PN100	5.43 (138)	3.60 (91)	-	0.97 (25)	1.30 (33)	3.70 (94)	2.00 (51)	23.34(10.50)	
DN100	PN160	5.43 (138)	3.60 (91)	-	0.97 (25)	1.30 (33)	3.70 (94)	2.00 (51)	25.83(11.62)	
	PN10/16	6.20 (157)	3.60 (91)	-	0.97 (25)	1.30 (33)	3.70 (94)	2.00 (51)	16.08(7.24)	
	PN40	6.20 (157)	3.60 (91)	-	0.97 (25)	1.30 (33)	3.70 (94)	2.00 (51)	20.31(9.14)	
	PN63	6.20 (157)	3.60 (91)	-	0.97 (25)	1.30 (33)	3.70 (94)	2.00 (51)	26.74(12.03)	
	PN100	6.20 (157)	3.60 (91)	-	0.97 (25)	1.30 (33)	3.70 (94)	2.00 (51)	34.26(15.42)	
JIS 2220	PN160	6.20 (157)	3.60 (91)	-	0.97 (25)	1.30 (33)	3.70 (94)	2.00 (51)	37.44(16.85)	
	50A	10K	3.62 (92)	2.12 (54)	-	0.97 (25)	1.30 (33)	2.50 (64)	2.00 (51)	6.93(3.15)
		20K	3.62 (92)	2.12 (54)	-	0.97 (25)	1.30 (33)	2.50 (64)	2.00 (51)	7.11(3.20)
		40K	4.00 (102)	2.40 (61)	-	0.97 (25)	1.30 (33)	2.50 (64)	2.00 (51)	10.41(4.68)
	80A	10K	5.00 (127)	3.60 (91)	-	0.97 (25)	1.30 (33)	3.70 (94)	2.00 (51)	10.52(4.73)
100A	20K	5.00 (127)	3.60 (91)	-	0.97 (25)	1.30 (33)	3.70 (94)	2.00 (51)	13.61(6.12)	
	40K	5.43 (138)	3.60 (91)	-	0.97 (25)	1.30 (33)	3.70 (94)	2.00 (51)	20.08(9.04)	
	10K	6.20 (157)	3.60 (91)	-	0.97 (25)	1.30 (33)	3.70 (94)	2.00 (51)	14.03(6.31)	
	20K	6.20 (157)	3.60 (91)	-	0.97 (25)	1.30 (33)	3.70 (94)	2.00 (51)	19.16(8.62)	
	40K	6.20 (157)	3.60 (91)	-	0.97 (25)	1.30 (33)	3.70 (94)	2.00 (51)	32.12(14.45)	

DIMENSIONS IN INCHES (MILLIMETERS)

©2015 ROSEMOUNT INC. ROSEMOUNT INC. ACCEPTS THIS DRAWING AS IS IN THE ACCORDANCE WITH ROSEMOUNT ENGINEERING SPECIFICATIONS. UNIT NOTES IN INCHES (mm).

REFERENCE ROSEMOUNT PRODUCT SHEETS FOR PRODUCT SPECIFICATIONS. CLICK HERE

EMERSON

3RD ANGLE

SIZE D SCALE NTS

TITLE ROSEMOUNT 1199 SEALS TYPE I DRAWING

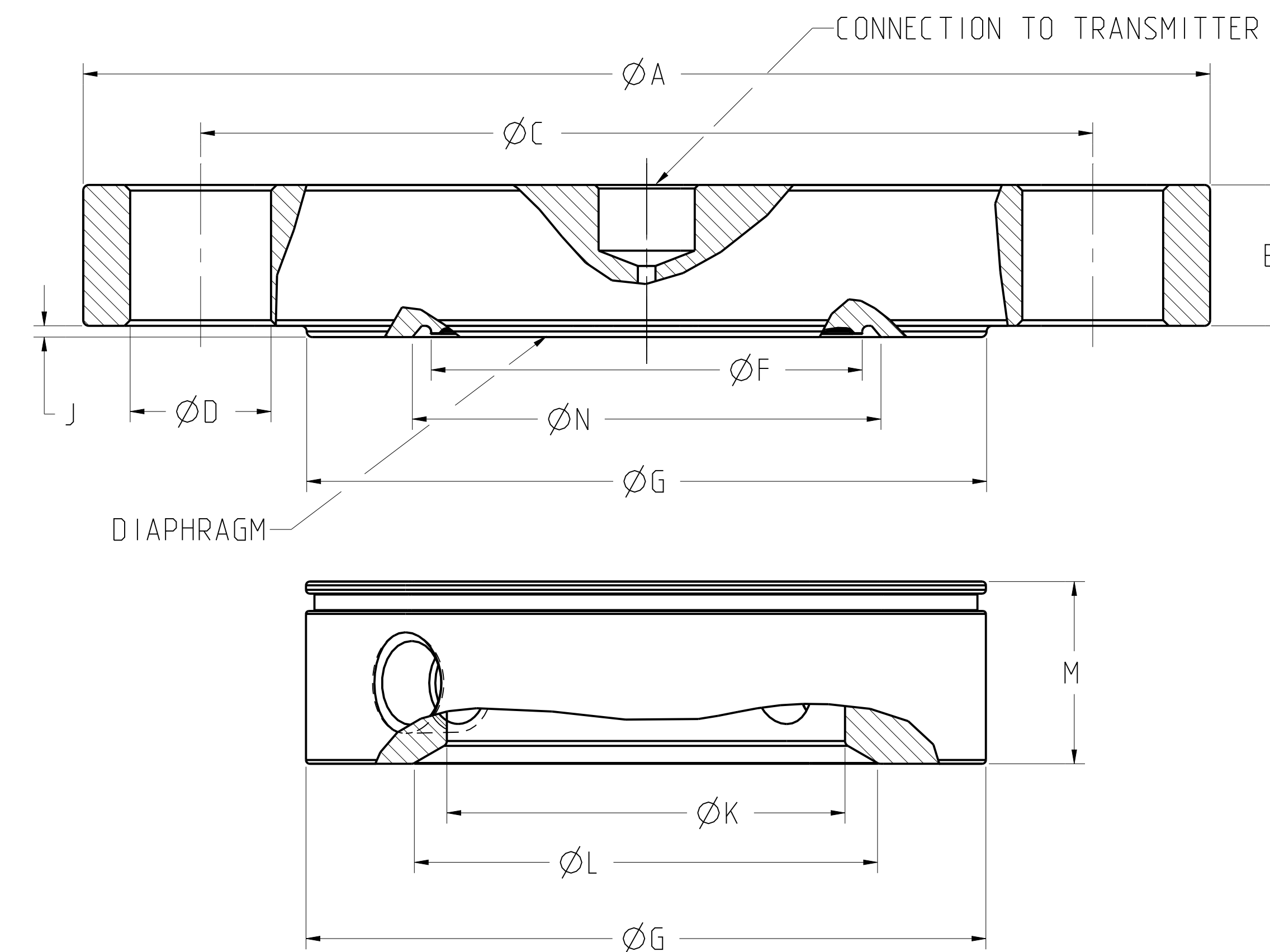
DR. J. ARMSTRONG 3/7/17 DRAWING NO. 01199-9500

APP'D L.BRYANT 3/7/17

CAD MAINTAINED. (PRO/E) SHEET 9 OF 41

**FLUSHED FLANGE SEAL (FFW)
ONE PIECE DESIGN**

	PIPE SIZE	CLASS	FLANGE DIAMETER "A"	FLANGE THICKNESS "B"	BOLT HOLE DIAMETER "D"	BOLT CIRCLE "C"	# OF BOLTS	STANDARD DIAPHRAGM DIAMETER "F"
ASME B16.5	2"	150#	6.00 (152)	0.69 (18)	0.75 (19)	4.75 (121)	4	2.30 (58)
		300#	6.50 (165)	0.81 (21)	0.75 (19)	5.00 (127)	8	2.30 (58)
		600#	6.50 (165)	1.00 (25)	0.75 (19)	5.00 (127)	8	2.30 (58)
		900#	8.50 (216)	1.50 (38)	1.00 (25)	6.50 (165)	8	2.30 (58)
		1500#	8.50 (216)	1.50 (38)	1.00 (25)	6.50 (165)	8	2.30 (58)
		2500#	9.25 (235)	2.00 (51)	1.13 (29)	6.75 (172)	8	2.30 (58)
	3"	150#	7.50 (191)	0.88 (22)	0.75 (19)	6.00 (152)	4	3.50 (89)
		300#	8.25 (210)	1.06 (27)	0.88 (22)	6.62 (168)	8	3.50 (89)
		600#	8.25 (210)	1.25 (32)	0.88 (22)	6.62 (168)	8	3.50 (89)
		900#	9.50 (241)	1.50 (38)	1.00 (25)	7.50 (191)	8	3.50 (89)
		1500#	10.50 (267)	1.88 (48)	1.25 (32)	8.00 (203)	8	3.50 (89)
		2500#	12.00 (14.00)	2.62 (67)	1.38 (35)	9.00 (229)	8	3.50 (89)
	4"	150#	9.00 (229)	0.88 (22)	0.75 (19)	7.50 (191)	8	3.50 (89)
		300#	10.0 (254)	1.19 (30)	0.88 (22)	7.88 (200)	8	3.50 (89)
		600#	10.75 (273)	1.50 (38)	1.00 (25)	8.50 (216)	8	3.50 (89)
		900#	11.50 (292)	1.75 (45)	1.25 (32)	9.25 (235)	8	3.50 (89)
1500#		12.25 (311)	2.12 (54)	1.38 (35)	9.50 (241)	8	3.50 (89)	
2500#		14.00 (356)	3.00 (76)	1.63 (41)	10.75 (274)	8	3.50 (89)	
EN1092-1	DN50	PN40	6.50 (165)	0.67 (17)	0.71 (18)	4.92 (125)	4	2.30 (58)
		PN63	7.09 (180)	0.91 (23)	0.87 (22)	5.31 (135)	4	2.30 (58)
		PN100	7.68 (195)	0.99 (25)	1.02 (26)	5.71 (145)	4	2.30 (58)
		PN160	7.68 (195)	1.06 (27)	1.02 (26)	5.71 (145)	4	2.30 (58)
	DN80	PN40	7.87 (200)	0.94 (24)	0.71 (18)	6.30 (160)	8	3.50 (89)
		PN63	8.46 (215)	1.10 (28)	0.88 (22)	6.69 (170)	8	3.50 (89)
		PN100	9.06 (230)	1.26 (32)	1.02 (26)	7.09 (180)	8	3.50 (89)
	DN100	PN160	9.06 (230)	1.30 (33)	1.02 (26)	7.09 (180)	8	3.50 (89)
		PN10/16	8.66 (220)	0.79 (20)	0.71 (18)	7.09 (180)	8	3.50 (89)
		PN40	9.25 (235)	0.94 (24)	0.87 (22)	7.48 (190)	8	3.50 (89)
		PN63	9.84 (250)	1.18 (30)	1.02 (26)	7.87 (200)	8	3.50 (89)
		PN100	10.43 (265)	1.30 (33)	1.18 (30)	8.27 (210)	8	3.50 (89)
JIS 2220	50A	10K	6.10 (155)	0.63 (16)	0.75 (19)	4.72 (120)	4	2.30 (58)
		20K	6.10 (155)	0.71 (18)	0.75 (19)	4.72 (120)	8	2.30 (58)
		40K	6.50 (165)	1.02 (26)	0.75 (19)	5.12 (130)	8	2.30 (58)
	80A	10K	7.28 (185)	0.71 (18)	0.75 (19)	5.91 (150)	8	3.50 (89)
		20K	7.87 (200)	0.87 (22)	0.91 (23)	6.30 (160)	8	3.50 (89)
		40K	8.27 (210)	1.26 (32)	0.91 (23)	6.69 (170)	8	3.50 (89)
	100A	10K	8.27 (210)	0.71 (18)	0.75 (19)	6.89 (175)	8	3.50 (89)
		20K	8.86 (225)	0.95 (24)	0.91 (23)	7.28 (185)	8	3.50 (89)
		40K	9.84 (250)	1.42 (36)	0.98 (25)	8.07 (205)	8	3.50 (89)



DIMENSIONS IN INCHES (MILLIMETERS)

©2015 ROSEMOUNT INC. ROSEMOUNT INC. ACCEPTS THIS DRAWING AS IS IN THE ACCORDANCE WITH ROSEMOUNT ENGINEERING SPECIFICATIONS. UNIT NOTES IN INCHES (mm). REFERENCE ROSEMOUNT PRODUCT SPECIFICATIONS FOR PRODUCT SPECIFICATIONS. CLICK HERE

EMERSON

TITLE: ROSEMOUNT 1199 SEALS TYPE I DRAWING

DR. J. ARMSTRONG 3/7/17 DRAWING NO. 01199-9500

APP'D L.BRYANT 3/7/17

CAD MAINTAINED (PRO/E) SHEET 10 OF 41

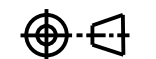
FLUSHED FLANGE SEAL (FFW)
ONE PIECE DESIGN (CONTINUED TABLE)

PIPE SIZE (CONT.)	CLASS (CONT.)	RAISED FACE DIAMETER "G"	INNER DIAMETER "K"	RAISED FACE HEIGHT "J"	BEVELED EDGE "L"	THICKNESS WITH 1/4-NPT F.C. "M"	THICKNESS WITH 1/2-NPT F.C. "M"	GASKET SURFACE DIAMETER "N"
ASME B16.5								
2"	150#	3.62 (92)	2.12 (54)	0.06 (1.5)	2.48 (63)	0.97 (25)	1.30 (33)	2.50 (64)
	300#	3.62 (92)	2.12 (54)	0.06 (1.5)	2.48 (63)	0.97 (25)	1.30 (33)	2.50 (64)
	600#	3.62 (92)	2.12 (54)	0.25 (6.4)	2.48 (63)	0.97 (25)	1.30 (33)	2.50 (64)
	900#	3.62 (92)	2.12 (54)	0.25 (6.4)	2.48 (63)	0.97 (25)	1.30 (33)	2.50 (64)
	1500#	3.62 (92)	2.12 (54)	0.25 (6.4)	2.48 (63)	0.97 (25)	1.30 (33)	2.50 (64)
	2500#	3.62 (92)	2.12 (54)	0.25 (6.4)	2.48 (63)	0.97 (25)	1.30 (33)	2.50 (64)
3"	150#	5.00 (127)	3.60 (91)	0.06 (1.5)	-	0.97 (25)	1.30 (33)	3.70(94)
	300#	5.00 (127)	3.60 (91)	0.06 (1.5)	-	0.97 (25)	1.30 (33)	3.70(94)
	600#	5.00 (127)	3.60 (91)	0.25 (6.4)	-	0.97 (25)	1.30 (33)	3.70(94)
	900#	5.00 (127)	3.60 (91)	0.25 (6.4)	-	0.97 (25)	1.30 (33)	3.70(94)
	1500#	5.00 (127)	3.60 (91)	0.25 (6.4)	-	0.97 (25)	1.30 (33)	3.70(94)
	2500#	5.00 (127)	3.60 (91)	0.25 (6.4)	-	0.97 (25)	1.30 (33)	3.70(94)
4"	150#	6.20 (157)	3.60 (91)	0.06 (1.5)	-	0.97 (25)	1.30 (33)	3.70(94)
	300#	6.20 (157)	3.60 (91)	0.06 (1.5)	-	0.97 (25)	1.30 (33)	3.70(94)
	600#	6.20 (157)	3.60 (91)	0.25 (6.4)	-	0.97 (25)	1.30 (33)	3.70(94)
	900#	6.20 (157)	3.60 (91)	0.25 (6.4)	-	0.97 (25)	1.30 (33)	3.70(94)
	1500#	6.20 (157)	3.60 (91)	0.25 (6.4)	-	0.97 (25)	1.30 (33)	3.70(94)
	2500#	6.20 (157)	3.60 (91)	0.25 (6.4)	-	0.97 (25)	1.30 (33)	3.70(94)
EN1092-1								
DN50	PN40	4.00 (102)	2.40 (61)	0.12 (3.0)	-	0.97 (25)	1.30 (33)	2.50 (64)
	PN63	4.00 (102)	2.40 (61)	0.12 (3.0)	-	0.97 (25)	1.30 (33)	2.50 (64)
	PN100	4.00 (102)	2.40 (61)	0.12 (3.0)	-	0.97 (25)	1.30 (33)	2.50 (64)
	PN160	4.00 (102)	2.40 (61)	0.12 (3.0)	-	0.97 (25)	1.30 (33)	2.50 (64)
DN80	PN40	5.43 (138)	3.60 (91)	0.12 (3.0)	-	0.97 (25)	1.30 (33)	3.70(94)
	PN63	5.43 (138)	3.60 (91)	0.12 (3.0)	-	0.97 (25)	1.30 (33)	3.70(94)
	PN100	5.43 (138)	3.60 (91)	0.12 (3.0)	-	0.97 (25)	1.30 (33)	3.70(94)
	PN160	5.43 (138)	3.60 (91)	0.12 (3.0)	-	0.97 (25)	1.30 (33)	3.70(94)
DN100	PN10/16	6.20 (157)	3.60 (91)	0.12 (3.0)	-	0.97 (25)	1.30 (33)	3.70(94)
	PN40	6.20 (157)	3.60 (91)	0.12 (3.0)	-	0.97 (25)	1.30 (33)	3.70(94)
	PN63	6.20 (157)	3.60 (91)	0.12 (3.0)	-	0.97 (25)	1.30 (33)	3.70(94)
	PN100	6.20 (157)	3.60 (91)	0.12 (3.0)	-	0.97 (25)	1.30 (33)	3.70(94)
	PN160	6.20 (157)	3.60 (91)	0.12 (3.0)	-	0.97 (25)	1.30 (33)	3.70(94)
JIS 2220								
50A	10K	3.62 (92)	2.12 (54)	0.08 (2.0)	-	0.97 (25)	1.30 (33)	2.50 (64)
	20K	3.62 (92)	2.12 (54)	0.08 (2.0)	-	0.97 (25)	1.30 (33)	2.50 (64)
	40K	4.00 (102)	2.40 (61)	0.08 (2.0)	-	0.97 (25)	1.30 (33)	2.50 (64)
80A	10K	5.00 (127)	3.60 (91)	0.08 (2.0)	-	0.97 (25)	1.30 (33)	3.70(94)
	20K	5.00 (127)	3.60 (91)	0.08 (2.0)	-	0.97 (25)	1.30 (33)	3.70(94)
	40K	5.43 (138)	3.60 (91)	0.08 (2.0)	-	0.97 (25)	1.30 (33)	3.70(94)
100A	10K	6.20 (157)	3.60 (91)	0.08 (2.0)	-	0.97 (25)	1.30 (33)	3.70(94)
	20K	6.20 (157)	3.60 (91)	0.08 (2.0)	-	0.97 (25)	1.30 (33)	3.70(94)
	40K	6.20 (157)	3.60 (91)	0.08 (2.0)	-	0.97 (25)	1.30 (33)	3.70(94)

DIMENSIONS IN INCHES (MILLIMETERS)

©2015 ROSEMOUNT, INC.
ROSEMOUNT INC. ACCEPTS
THIS DRAWING AS IS IN
THE ACCORDANCE WITH
ROSEMOUNT ENGINEERING
SPECIFICATIONS.
UNIT NOTES IN INCHES (mm).

REFERENCE ROSEMOUNT
PRODUCT SPECIFICATIONS FOR
PRODUCT SPECIFICATIONS.
CLICK HERE

3RD ANGLE  SIZE D SCALE NTS

EMERSON

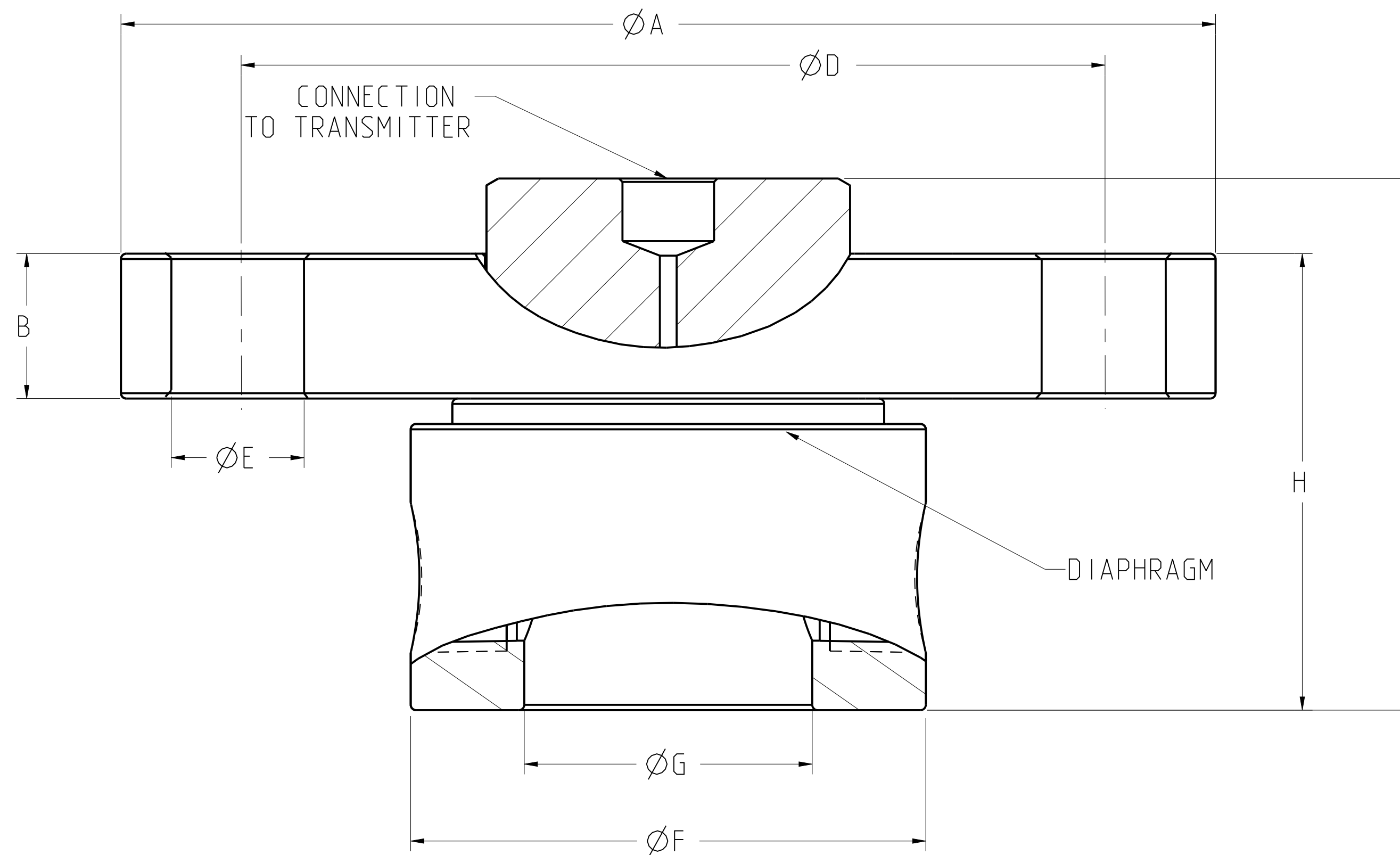
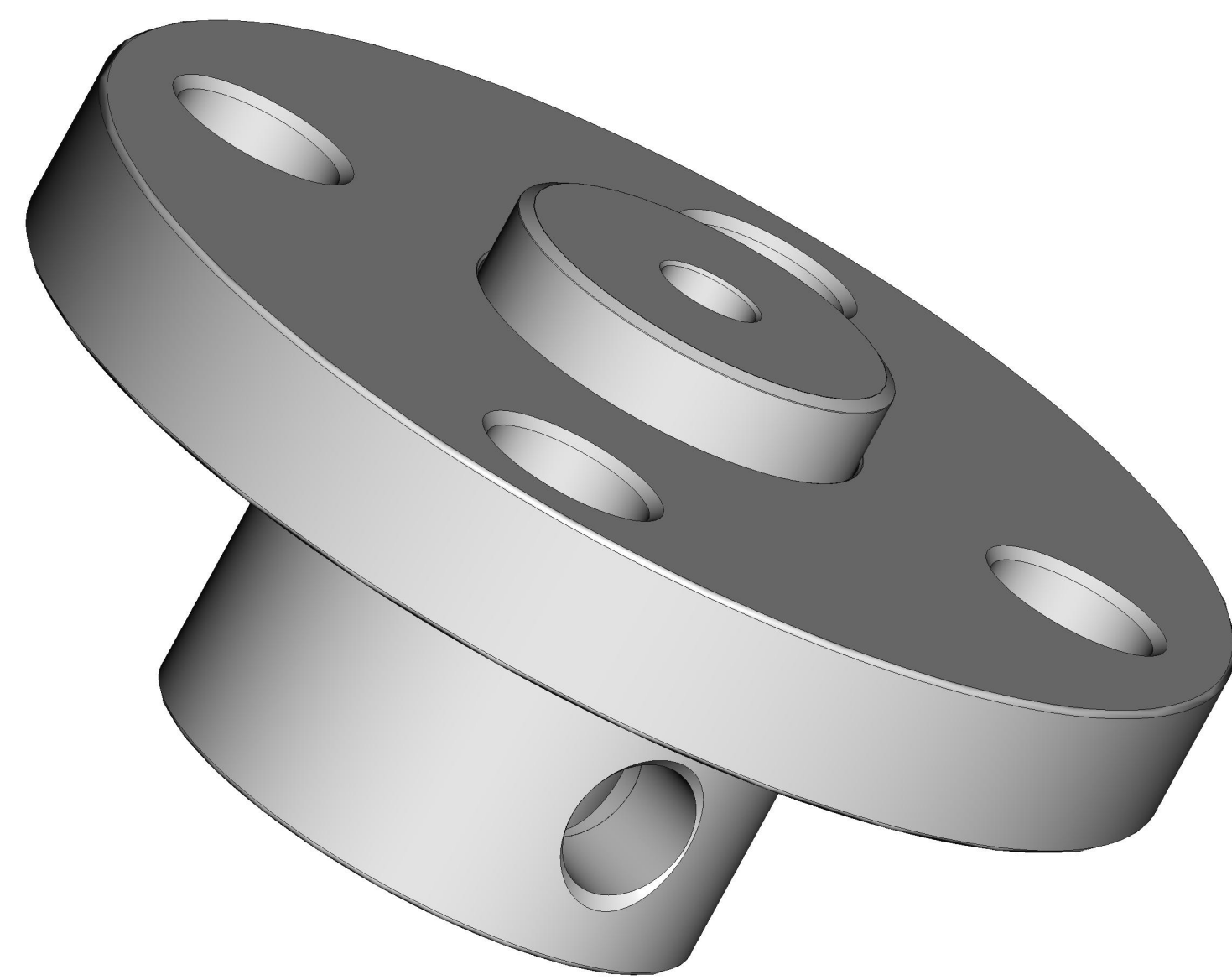
TITLE ROSEMOUNT 1199 SEALS
TYPE I DRAWING

DR. J. ARMSTRONG 3/7/17 DRAWING NO. 01199-9500
APP'D L.BRYANT 3/7/17

CAD MAINTAINED. (PRO/E) SHEET 11 OF 41

**REMOTE FLANGED SEAL (RFW)
STANDARD (INSERT) DESIGN**

	PIPE SIZE	CLASS	DIAMETER A	THICKNESS "B"	OVERALL HEIGHT "C"		BOLT CIRCLE DIA. "D"	BOLT HOLE DIA. "E"	LOWER HOUSING DIA. "F"	LOWER HOUSING ID "G"	FLANGE HEIGHT "H"		WEIGHT LBS (KG)		
					W/NO OR 1/4-IN NPT FLUSH CONN.	W/ 1/2-IN NPT FLUSH CONN.					W/NO OR 1/4-IN NPT FLUSH CONN.	W/ 1/2-IN NPT FLUSH CONN.	W/NO OR 1/4-IN NPT FLUSH CONN.	W/ 1/2-IN NPT FLUSH CONN.	
ASME B16.5	1/2"	2500#	5.25 (133.4)	1.25 (31.8)	3.28 (83.3)	3.64 (92.5)	3.50 (88.9)	0.88 (22.4)	2.62 (66.5)	0.62 (15.75)	2.78 (70.61)	3.14 (79.76)	9.26 (4.20)	9.63 (4.37)	
		300#	4.62 (117.3)	0.62 (15.7)	2.63 (66.8)	2.99 (75.9)	3.25 (82.6)	0.75 (19.1)	2.62 (66.5)	0.82 (20.83)	2.15 (54.61)	2.51 (63.75)	4.95 (2.25)	5.32 (2.41)	
		600#	4.62 (117.3)	0.68 (17.3)	2.63 (66.8)	2.99 (75.9)	3.25 (82.6)	0.75 (19.1)	2.62 (66.5)	0.82 (20.83)	2.21 (56.13)	2.57 (65.28)	5.15 (2.34)	5.52 (2.51)	
		900#	5.12 (130.0)	1.06 (26.9)	3.28 (83.3)	3.64 (92.5)	3.50 (88.9)	0.88 (22.4)	2.62 (66.5)	0.82 (20.83)	2.59 (65.78)	2.95 (65.78)	8.01 (3.63)	8.38 (3.80)	
		1500#	5.12 (130.0)	1.06 (26.9)	3.28 (83.3)	3.64 (92.5)	3.50 (88.9)	0.88 (22.4)	2.62 (66.5)	0.82 (20.83)	2.59 (65.78)	2.95 (65.78)	8.01 (3.63)	8.38 (3.80)	
	1"	2500#	5.50 (139.7)	1.31 (33.3)	3.28 (83.3)	3.64 (92.5)	3.75 (95.3)	0.88 (22.4)	2.62 (66.5)	0.82 (20.83)	2.84 (72.14)	3.20 (81.28)	10.28 (4.66)	10.65 (4.83)	
		150#	4.25 (108.0)	0.56 (14.2)	2.63 (66.8)	2.99 (75.9)	3.12 (79.2)	0.63 (16.0)	2.62 (66.5)	1.05 (26.67)	2.09 (53.08)	2.45 (62.23)	4.34 (1.97)	4.69 (2.13)	
		300#	4.88 (124.0)	0.68 (17.3)	2.63 (66.8)	2.99 (75.9)	3.50 (88.9)	0.75 (19.1)	2.62 (66.5)	1.05 (26.67)	2.21 (56.13)	2.57 (65.28)	5.45 (2.47)	5.81 (2.64)	
		600#	4.88 (124.0)	0.75 (19.1)	2.63 (66.8)	2.99 (75.9)	3.50 (88.9)	0.75 (19.1)	2.62 (66.5)	1.05 (26.67)	2.28 (57.91)	2.64 (67.06)	5.73 (2.60)	6.08 (2.76)	
		900#	5.88 (149.4)	1.18 (30.0)	3.28 (83.3)	3.64 (92.5)	4.00 (101.6)	1.00 (25.4)	2.62 (66.5)	1.05 (26.67)	2.71 (68.83)	3.07 (77.98)	10.43 (4.73)	10.43 (4.73)	
1 1/2"	2500#	6.25 (158.8)	1.44 (36.6)	3.28 (83.3)	3.64 (92.5)	4.25 (108)	1.00 (25.4)	2.62 (66.5)	1.05 (26.67)	2.97 (75.44)	3.33 (84.58)	13.44 (6.10)	13.8 (6.26)		
	150#	5.00 (127.0)	0.68 (17.3)	2.63 (66.8)	2.99 (75.9)	3.88 (98.6)	0.63 (16.0)	2.88 (73.2)	1.61 (40.89)	2.21 (56.13)	2.57 (65.28)	5.83 (2.65)	6.20 (2.81)		
	300#	6.12 (155.4)	0.81 (20.6)	2.63 (66.8)	2.99 (75.9)	4.50 (114.3)	0.88 (22.4)	2.88 (73.2)	1.61 (40.89)	2.34 (59.44)	2.70 (68.58)	8.40 (3.81)	8.78 (3.98)		
	600#	6.12 (155.4)	0.94 (23.9)	2.63 (66.8)	2.99 (75.9)	4.50 (114.3)	0.88 (22.4)	2.88 (73.2)	1.61 (40.89)	2.47 (62.74)	2.83 (71.88)	9.29 (4.22)	9.66 (4.38)		
	900#	7.00 (177.8)	1.31 (33.3)	3.28 (83.3)	3.64 (92.5)	4.88 (124)	1.13 (28.7)	2.88 (73.2)	1.61 (40.89)	2.84 (72.14)	3.20 (81.28)	14.65 (6.65)	15.02 (6.81)		
EN1092-1	DN20	PN63	5.12 (130.0)	0.87 (22.1)	2.63 (66.8)	2.99 (75.9)	3.54 (89.9)	0.71 (18.0)	2.68 (68.1)	0.88 (22.35)	2.40 (60.96)	2.76 (70.10)	6.87 (3.11)	7.26 (3.29)	
		PN100	5.12 (130.0)	0.87 (22.1)	2.63 (66.8)	2.99 (75.9)	3.54 (89.9)	0.71 (18.0)	2.68 (68.1)	0.88 (22.35)	2.40 (60.96)	2.76 (70.10)	6.87 (3.11)	7.26 (3.29)	
		DN25	PN16	4.53 (115.1)	0.71 (18.0)	2.63 (66.8)	2.99 (75.9)	3.35 (85.1)	0.55 (14.0)	2.68 (68.1)	1.12 (28.45)	2.24 (56.90)	2.60 (66.04)	5.27 (2.39)	5.64 (2.56)
		PN40	4.53 (115.1)	0.71 (18.0)	2.63 (66.8)	2.99 (75.9)	3.35 (85.1)	0.55 (14.0)	2.68 (68.1)	1.12 (28.45)	2.24 (56.90)	2.60 (66.04)	5.27 (2.39)	5.64 (2.56)	
		PN63	5.51 (140.0)	0.94 (23.9)	2.63 (66.8)	2.99 (75.9)	3.94 (100.1)	0.71 (18.0)	2.68 (68.1)	1.12 (28.45)	2.47 (62.74)	2.83 (71.88)	7.97 (3.62)	8.34 (3.78)	
	DN40	PN100	5.51 (140.0)	0.94 (23.9)	2.63 (66.8)	2.99 (75.9)	3.94 (100.1)	0.71 (18.0)	2.68 (68.1)	1.12 (28.45)	2.47 (62.74)	2.83 (71.88)	7.97 (3.62)	8.34 (3.78)	
		PN160	5.51 (140.0)	0.94 (23.9)	2.63 (66.8)	2.99 (75.9)	3.94 (100.1)	0.71 (18.0)	2.68 (68.1)	1.12 (28.45)	2.47 (62.74)	2.83 (71.88)	7.97 (3.62)	8.34 (3.78)	
		PN16	5.91 (150.1)	0.71 (18.0)	2.63 (66.8)	2.99 (75.9)	4.33 (110.0)	0.71 (18.0)	3.46 (87.9)	1.70 (43.18)	2.24 (56.90)	2.60 (66.04)	7.45 (3.38)	7.82 (3.55)	
		PN40	5.91 (150.1)	0.71 (18.0)	2.63 (66.8)	2.99 (75.9)	4.33 (110.0)	0.71 (18.0)	3.46 (87.9)	1.70 (43.18)	2.24 (56.90)	2.60 (66.04)	7.45 (3.38)	7.82 (3.55)	
		PN63	6.69 (169.9)	1.02 (25.9)	2.63 (66.8)	2.99 (75.9)	4.92 (125.0)	0.87 (22.1)	3.46 (87.9)	1.70 (43.18)	2.55 (64.77)	2.91 (73.91)	7.45 (3.38)	11.87 (5.38)	
JIS 2220	40A	10K	5.51 (140.0)	0.65 (16.5)	2.63 (66.8)	2.99 (75.9)	4.13 (104.9)	0.75 (19.1)	3.15 (80.0)	1.93 (49.02)	2.18 (55.37)	2.54 (64.52)	6.59 (2.99)	7.01 (3.18)	
		20K	5.51 (140.0)	0.73 (18.5)	2.63 (66.8)	2.99 (75.9)	4.13 (104.9)	0.75 (19.1)	3.15 (80.0)	1.93 (49.02)	2.26 (57.40)	2.62 (66.55)	7.02 (3.19)	7.44 (3.37)	
		40K	6.30 (160.0)	0.97 (24.6)	2.63 (66.8)	2.99 (75.9)	4.72 (119.9)	0.91 (23.1)	3.15 (80.0)	1.93 (49.02)	2.50 (63.50)	2.86 (72.64)	10.14 (4.60)	10.55 (4.79)	



DIMENSIONS IN INCHES (MILLIMETERS)

©2015 ROSEMOUNT INC. ROSEMOUNT INC. ACCEPTS THIS DRAWING AS IS IN THE ACCORDANCE WITH ROSEMOUNT ENGINEERING SPECIFICATIONS. UNIT NOTES IN INCHES (mm).

REFERENCE ROSEMOUNT PRODUCT SHEETS FOR PRODUCT SPECIFICATIONS. CLICK HERE

EMERSON

TITLE: ROSEMOUNT 1199 SEALS TYPE I DRAWING

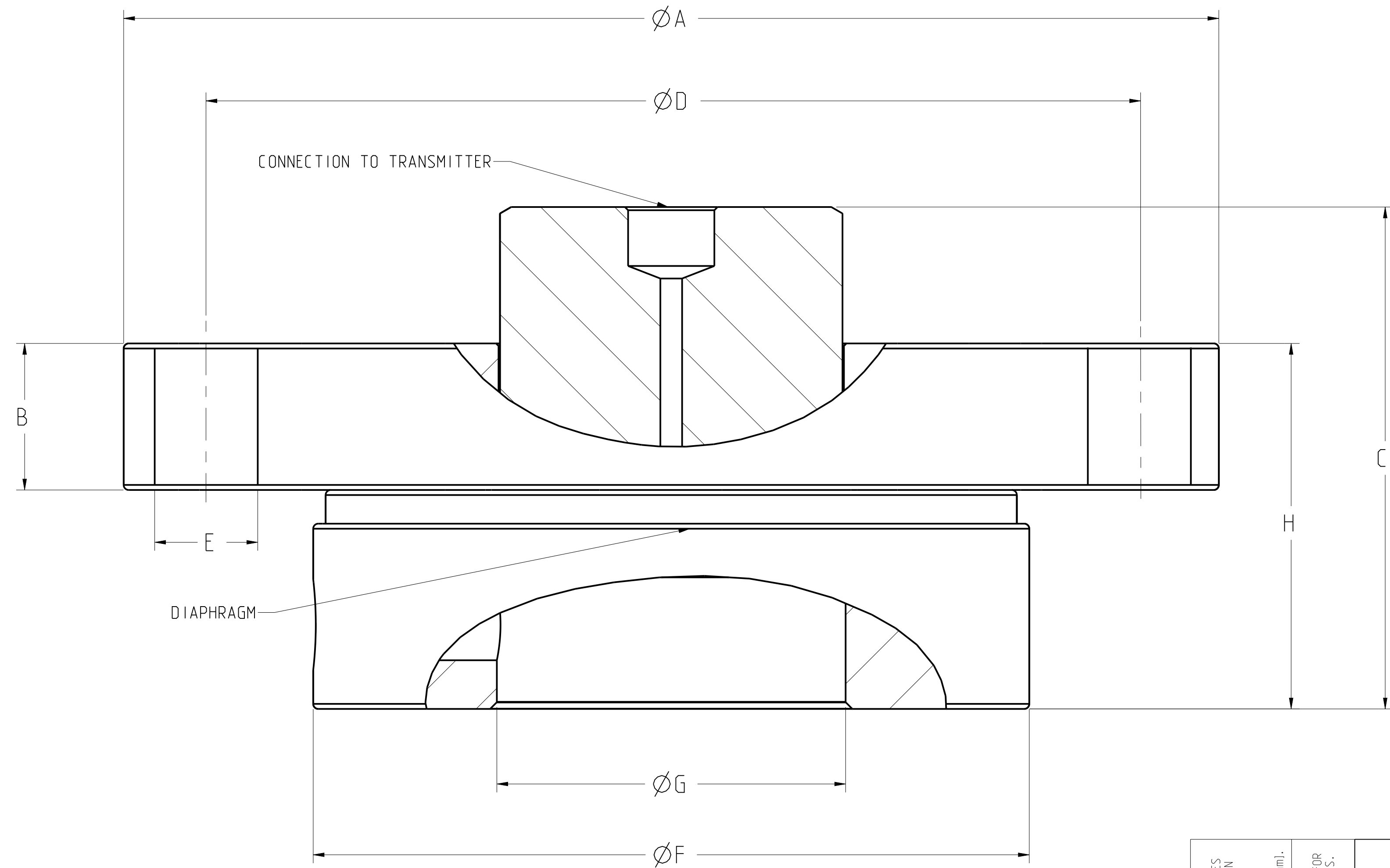
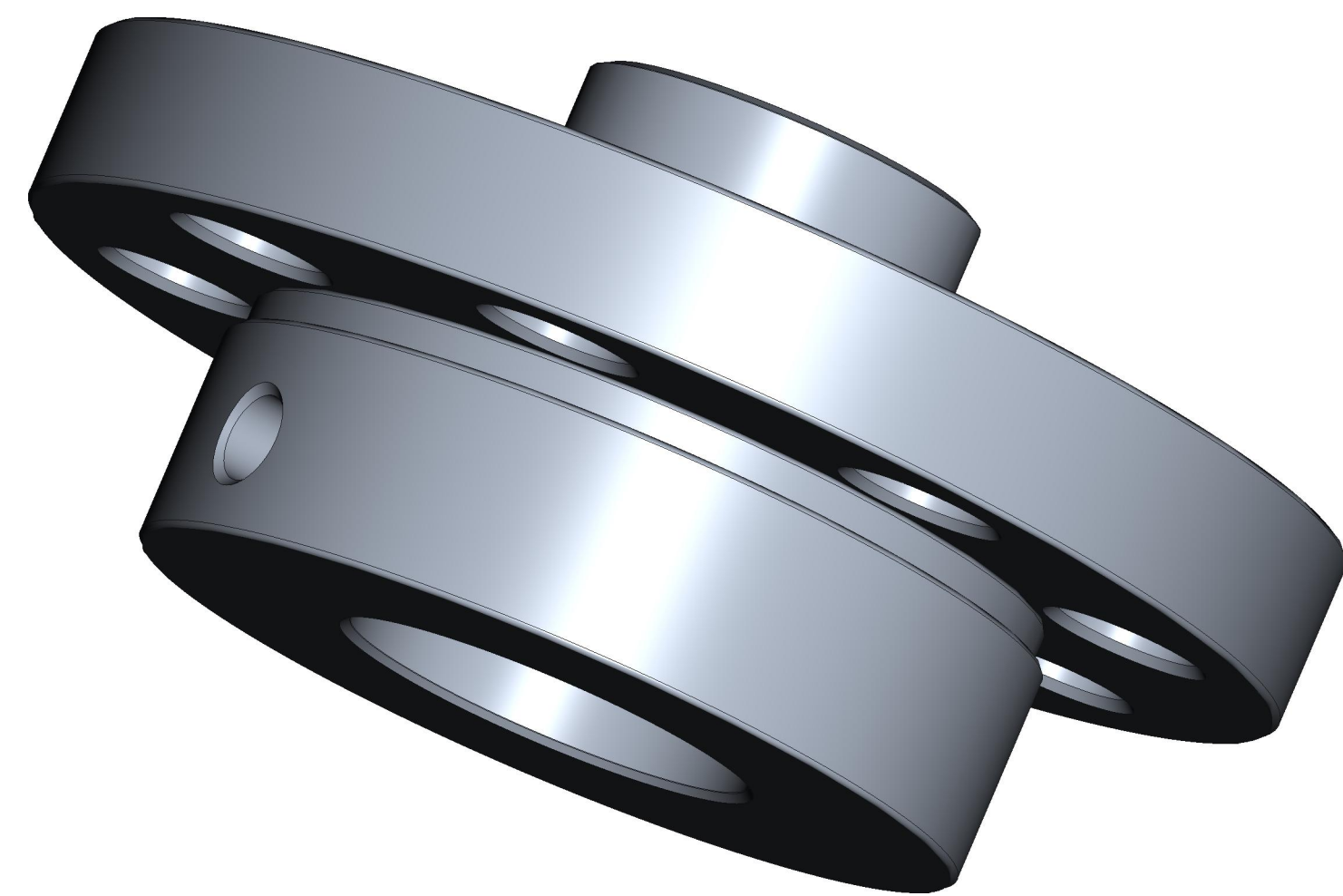
DR. J. ARMSTRONG 3/7/17 DRAWING NO. 01199-9500

APP'D L.BRYANT 3/7/17

CAD MAINTAINED (PRO/E) SHEET 12 OF 41

REMOTE FLANGED SEAL (RFW)
STANDARD (INERT) DESIGN w/ 4.1-in. OPTION

	PIPE SIZE	CLASS	DIAMETER A	THICKNESS B	OVERALL HEIGHT "C"		BOLT CIRCLE DIA. "D"	LOWER HOUSING DIA. "F"	LOWER HOUSING ID "G"	FLANGE HEIGHT "H"		WEIGHT LBS (KG)	
					W/ NO OR 1/4-IN NPT FLUSH CONN	W/ 1/2-IN NPT FLUSH CONN				W/ NO OR 1/4-IN NPT FLUSH CONN.	W/ 1/2-IN NPT FLUSH CONN.	W/ NO OR 1/4-IN NPT FLUSH CONN	W/ 1/2-IN NPT FLUSH CONN
ASME B16.5	2-in	300#	6.50 (165.1)	0.81 (20.6)	3.01 (76.6)	3.31 (84.2)	5.00 (127.0)	4.25 (108.0)	2.07 (52.58)	2.33 (59.18)	2.63 (66.80)	12.20 (5.54)	13.02 (5.91)
		600#	6.50 (165.1)	1.00 (25.4)	3.01 (76.6)	3.31 (84.2)	5.00 (127.0)	4.25 (108.0)	2.07 (52.58)	2.52 (64.01)	2.82 (71.63)	13.65 (6.19)	14.46 (6.56)
		900#	8.50 (215.9)	1.50 (38.1)	3.01 (76.6)	3.31 (84.2)	6.50 (165.1)	4.25 (108.0)	2.07 (52.58)	3.02 (76.71)	3.32 (84.33)	26.83 (12.18)	27.65 (12.55)
	3-in	150#	7.50 (190.5)	0.88 (22.4)	3.01 (76.6)	3.31 (84.2)	6.00 (152.4)	5.00 (127.0)	3.07 (77.98)	2.40 (60.96)	2.70 (68.58)	16.94 (7.69)	17.89 (8.12)
		300#	8.25 (209.6)	1.06 (26.9)	3.01 (76.6)	3.31 (84.2)	6.62 (168.1)	5.00 (127.0)	3.07 (77.98)	2.58 (65.53)	2.88 (73.15)	20.99 (9.53)	21.94 (9.96)
		600#	8.25 (209.6)	1.25 (31.8)	3.01 (76.6)	3.31 (84.2)	6.62 (168.1)	5.00 (127.0)	3.07 (77.98)	2.77 (70.36)	3.07 (77.98)	23.48 (10.66)	24.43 (11.09)
EN1092-1	DN50	PN40	6.50 (165.1)	0.79 (20.1)	3.01 (76.6)	3.31 (84.2)	4.92 (125.0)	4.25 (108.0)	2.15 (54.61)	2.25 (57.15)	2.55 (64.77)	11.98 (5.44)	12.78 (5.80)
		PN63	7.09 (180.1)	1.02 (25.9)	3.01 (76.6)	3.31 (84.2)	5.31 (134.9)	4.25 (108.0)	2.15 (54.61)	2.48 (62.99)	2.78 (70.61)	15.48 (7.03)	16.28 (7.39)
		PN100	7.68 (195.1)	1.10 (27.9)	3.01 (76.6)	3.31 (84.2)	5.71 (145.0)	4.25 (108.0)	2.15 (54.61)	2.56 (65.02)	2.86 (72.64)	18.16 (8.24)	18.95 (8.60)



©2015 ROSEMOUNT, INC.
ROSEMOUNT INC. ACCEPTS
THIS DRAWING AS A COPY IN
FULL ACCORDANCE WITH
ROSEMOUNT ENGINEERING
SPECIFICATIONS.
UNIT NOTES IN INCHES (mm).

REFERENCE ROSEMOUNT
PRODUCT SHEETS FOR
PRODUCT SPECIFICATIONS.
CLICK HERE

3RD ANGLE

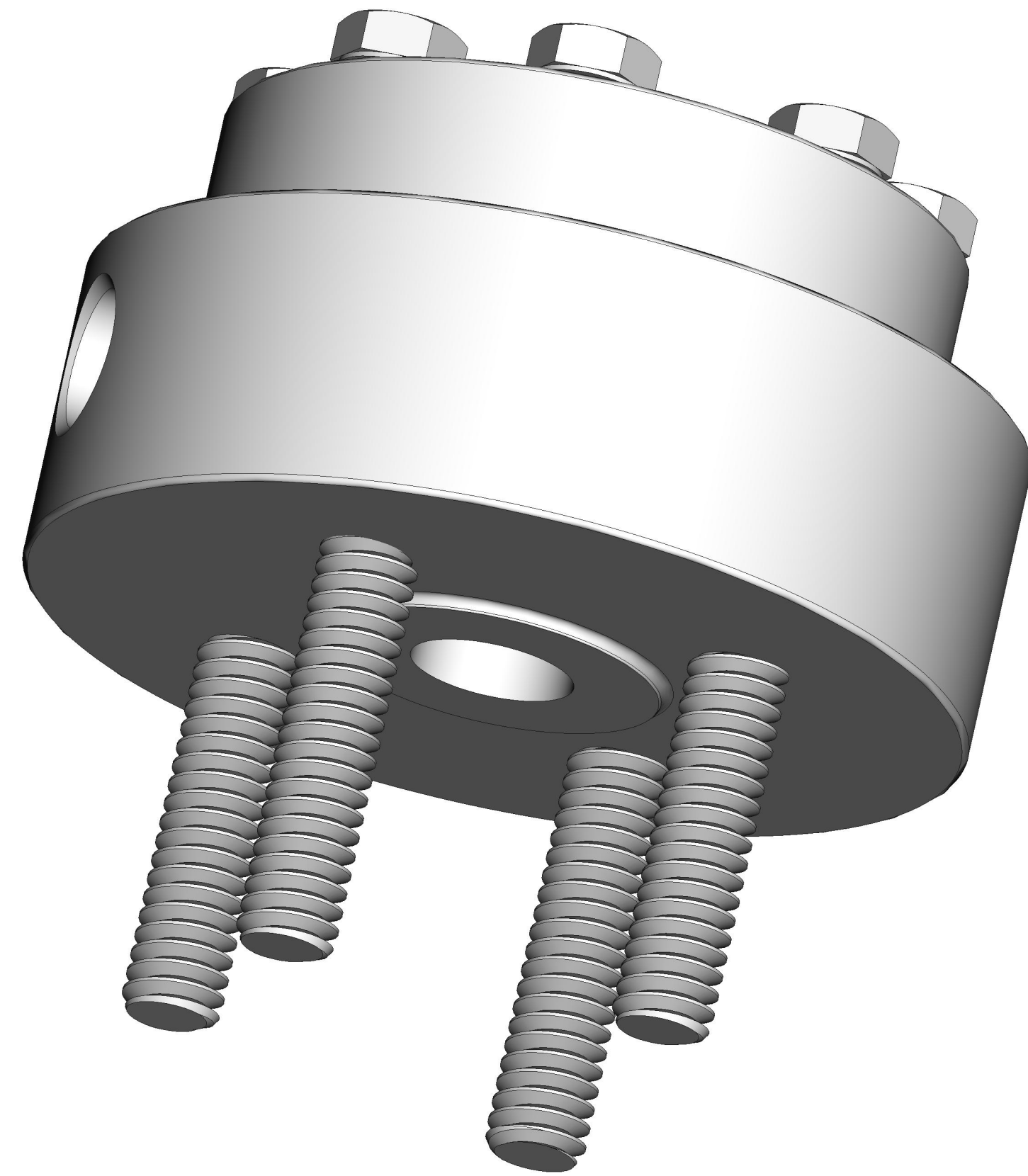
EMERSON

TITLE
**ROSEMOUNT 1199 SEALS
TYPE I DRAWING**

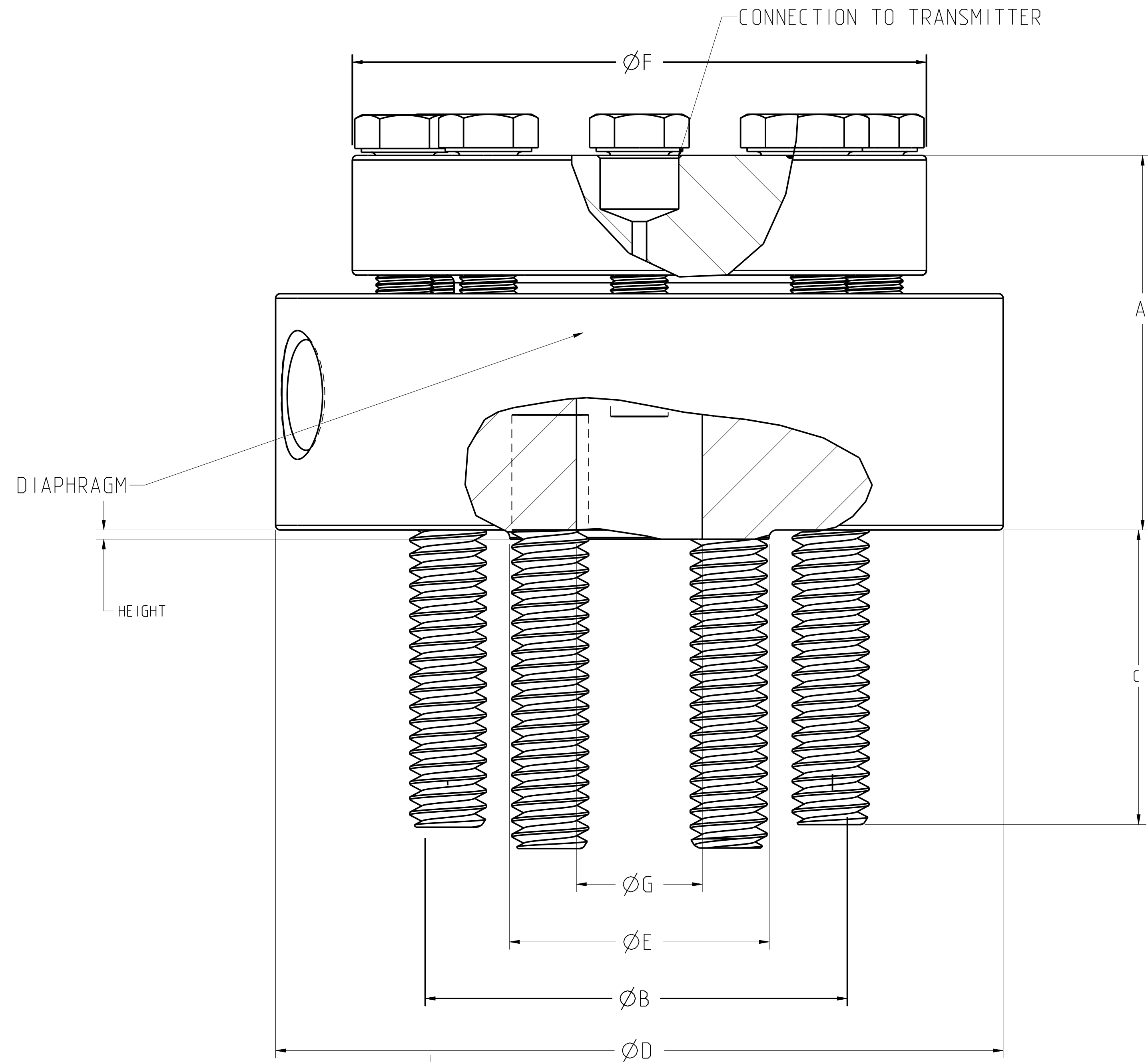
DR. J. ARMSTRONG 3/7/17 DRAWING NO. 01199-9500
APP'D L.BRYANT 3/7/17
CAD MAINTAINED. (PRO/EI) SHEET 13 OF 41

REMOTE FLANGED SEAL (RFW)
STUD BOLT DESIGN

	PIPE SIZE	CLASS	OVERALL HEIGHT "A"		STUD CIRCLE DIAMETER "B"	STUD (PROTRUDING LENGTH) "C"	LOWER HOUSING DIAMETER "D"	RAISED FACE DIAMETER "E"//HEIGHT	UPPER DIAMETER ØF"	LOWER HOUSING ID "G"	WEIGHT LBS (KG)	
			W/NO OR 1/4-IN NPT FLUSH CONN.	W/ 1/2-IN NPT FLUSH CONN.							W/NO OR 1/4-IN NPT FLUSH CONN.	W/ 1/2-IN NPT FLUSH CONN.
ASME B16.5	1/2"	150#	2.11 (53.6)	2.47 (62.7)	2.38 (60.5)	1.94 (49.3)	3.74 (95.0)	1.38 (35.1)//0.06 (1.5)	3.74 (95.0)	0.62 (15.75)	6.20 (2.81)	10.01 (4.55)
	1/2"	300#	2.17 (55.1)	2.47 (62.7)	2.62 (66.5)	1.94 (49.3)	3.74 (95.0)	1.38 (35.1)//0.06 (1.5)	3.74 (95.0)	0.62 (15.75)	6.37 (2.89)	10.03 (4.55)
	1/2"	600#	2.37 (60.2)	2.52 (64)	2.62 (66.5)	1.75 (44.5)	3.74 (95.0)	1.38 (35.1)//0.25 (6.4)	3.74 (95.0)	0.62 (15.75)	6.46 (2.93)	9.41 (4.27)
	1/2"	900/1500#	2.79 (70.9)	3.29 (83.6)	3.25 (82.6)	2.99 (75.9)	4.74 (120.4)	1.38 (35.1)//0.25 (6.4)	4.00 (101.6)	0.62 (15.75)	11.70 (5.31)	14.94 (6.78)
	3/4"	150#	2.11 (53.6)	2.47 (62.7)	2.75 (69.9)	1.94 (49.3)	3.88 (98.6)	1.69 (42.9)//0.06 (1.5)	3.74 (95.0)	0.82 (20.83)	6.43 (2.92)	9.96 (4.52)
EN1092-1	DN10	PN40	2.11 (53.6)	2.47 (62.7)	2.36 (59.9)	1.80 (45.7)	3.74 (95.0)	1.57 (39.9)//0.08 (2.0)	3.74 (95.0)	0.52 (13.21)	6.12 (2.78)	10.00 (4.54)
	DN10	PN63/100	2.11 (53.6)	2.47 (62.7)	2.76 (70.1)	1.80 (45.7)	3.74 (95.0)	1.57 (39.9)//0.08 (2.0)	3.74 (95.0)	0.52 (13.21)	6.51 (2.96)	9.92 (4.50)
	DN15	PN40	2.11 (53.6)	2.47 (62.7)	2.56 (65.0)	1.80 (45.7)	3.74 (95.0)	1.77 (45.0)//0.08 (2.0)	3.74 (95.0)	0.68 (17.27)	6.10 (2.77)	9.88 (4.48)
	DN15	PN63/100	2.11 (53.6)	2.47 (62.7)	2.95 (74.9)	1.80 (45.7)	4.13 (104.9)	1.77 (45.0)//0.08 (2.0)	3.74 (95.0)	0.68 (17.27)	6.87 (3.12)	9.88 (4.48)
JIS 2220	20A	10K	2.11 (53.6)	2.47 (62.7)	2.95 (74.9)	1.84 (46.7)	4.13 (104.9)	2.28 (57.9)//0.04 (1.0)	3.74 (95.0)	1.09 (27.68)	6.56 (2.98)	10.00 (4.54)
	20A	20K	2.11 (53.6)	2.47 (62.7)	2.95 (74.9)	1.84 (46.7)	4.13 (104.9)	2.28 (57.9)//0.04 (1.0)	3.74 (95.0)	1.09 (27.68)	6.56 (2.98)	10.00 (4.54)



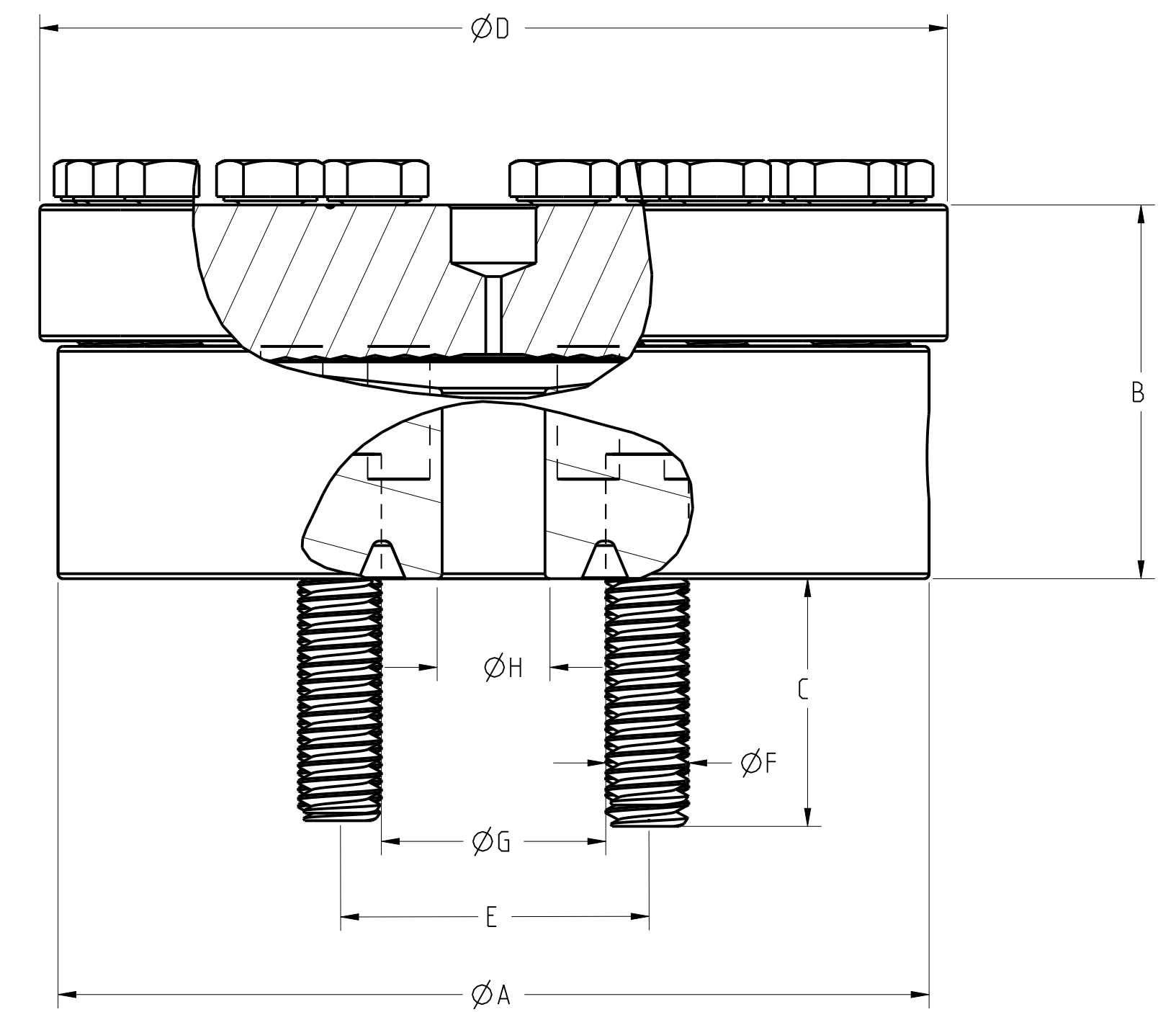
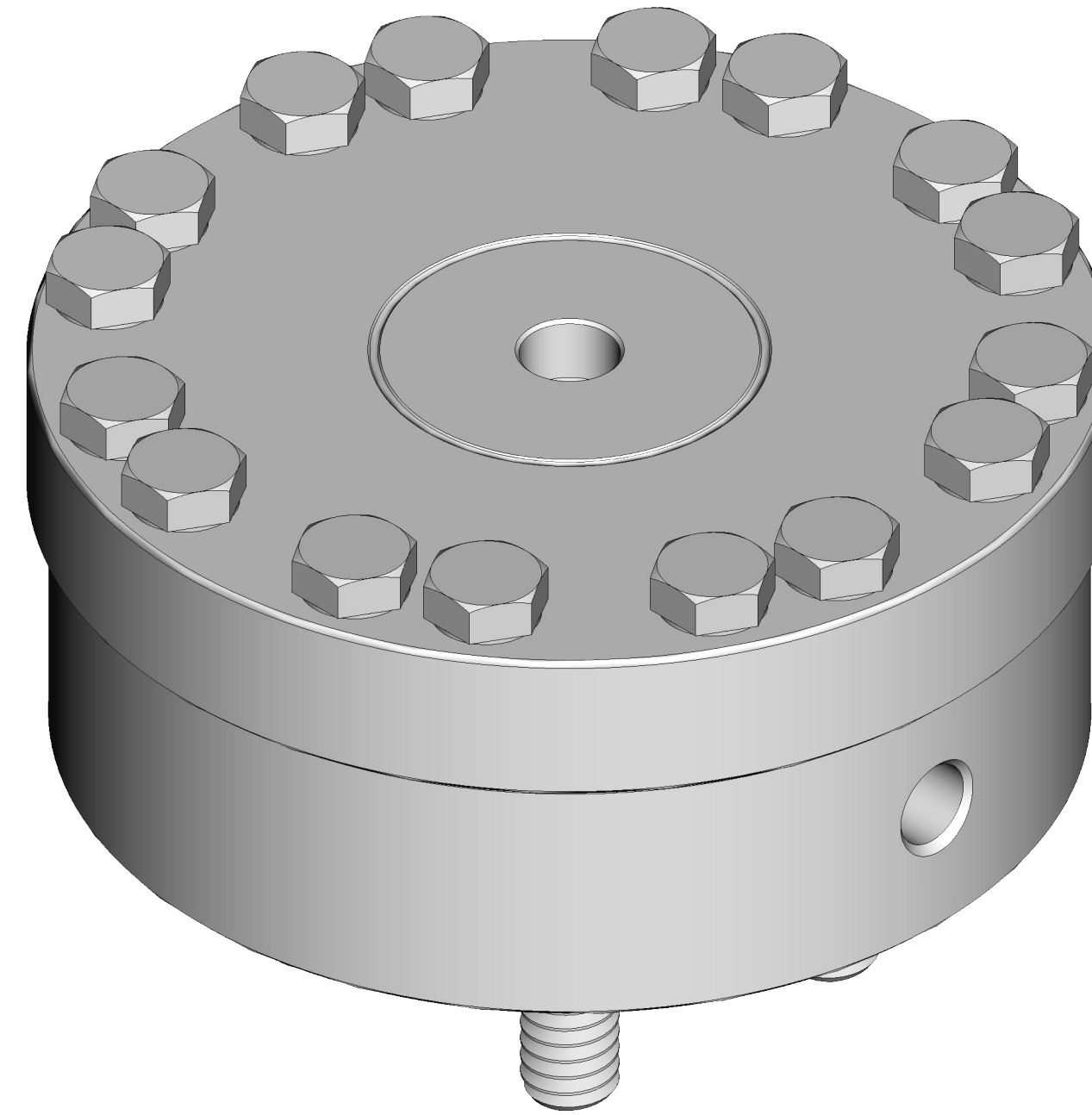
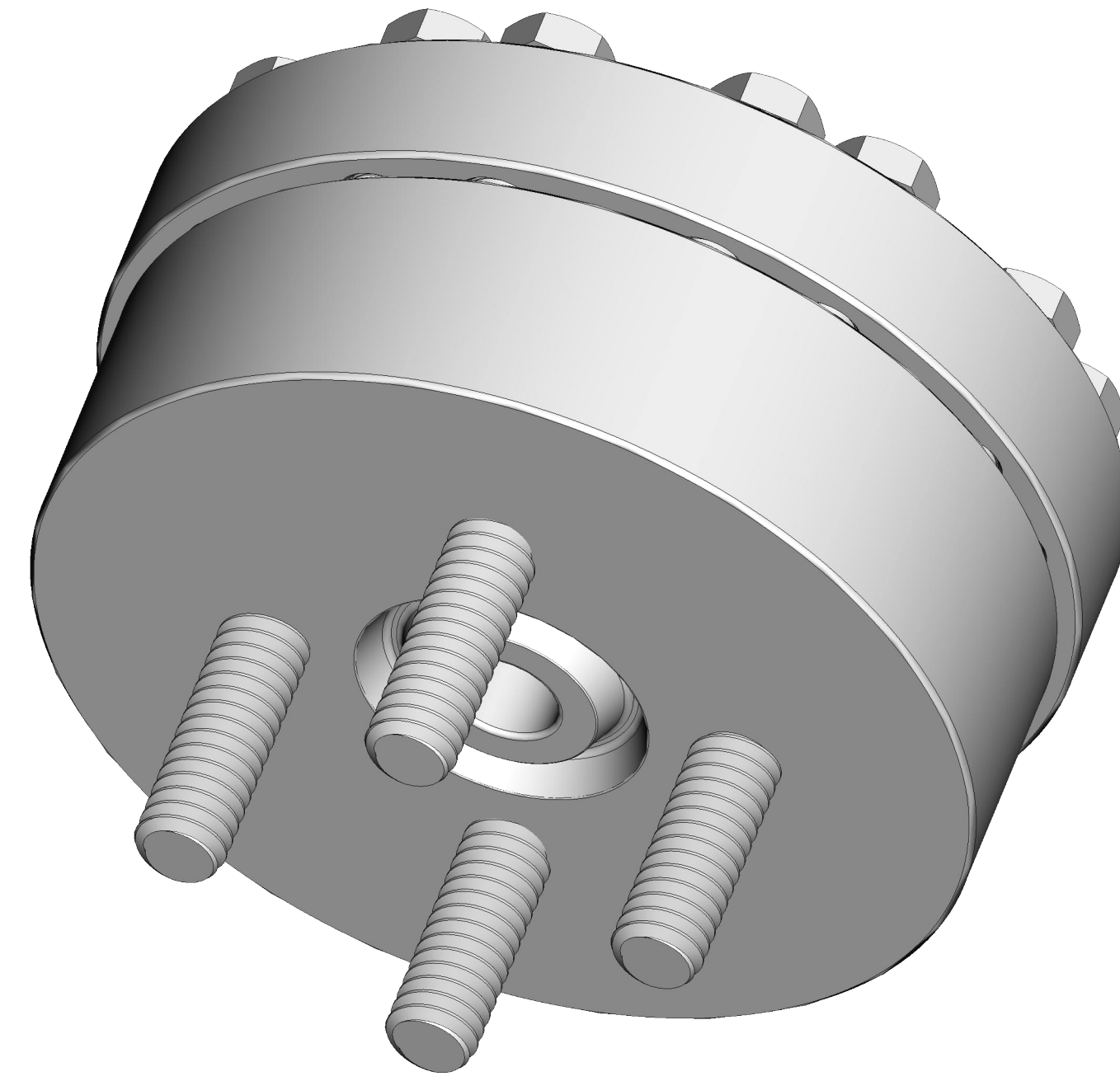
DIMENSIONS IN INCHES (MILLIMETERS)



©2015 ROSEMOUNT, INC.
ROSEMOUNT INC. ACCEPTS
THIS DRAWING AS THE FINAL
DRAWING IN ACCORDANCE WITH
ROSEMOUNT ENGINEERING
SPECIFICATIONS.
UNIT NOTES IN INCHES (mm).
REFERENCE ROSEMOUNT
PRODUCT SPECIFICATIONS FOR
PRODUCT SPECIFICATIONS.
CLICK HERE

		3RD ANGLE		SIZE	SCALE
		D	NTS		
TITLE ROSEMOUNT 1199 SEALS TYPE I DRAWING					
DR. J. ARMSTRONG	3/7/17	DRAWING NO.		01199-9500	
APP'D L.BRYANT	3/7/17				
CAD MAINTAINED: (PRO/E)				SHEET 14 OF 41	

REMOTE FLANGED SEAL-RING
 TYPE JOINT GASKET SURFACE
 (RCW) STUD BOLT DESIGN
 w/ 4.1-in OPTION



	PIPE SIZE	CLASS	LOWER HOUSING DIA. "A"		OVERALL HEIGHT "B"		STUD PROTRUDING LENGTH "C"	UPPER DIAMETER "D"	STUD BOLT CIRCLE "E"	STUD BOLT DIAMETER "F"
			W/ NO OR 1/4-IN NPT FLUSH CONN	W/ 1/2-IN NPT FLUSH CONN	W/ NO OR 1/4-IN NPT FLUSH CONN	W/ 1/2-IN NPT FLUSH CONN				
ASME B16.5	1/2-in	300/600#	5.47 (138.9)	6.50 (165.1)	2.31 (58.8)	2.51 (63.9)	2.00 (50.8)	5.47 (138.9)	2.62 (66.5)	0.50 (12.7)
		900#	5.75 (146.1)	6.75 (171.5)	2.81 (71.5)	2.81 (71.5)	2.63 (66.7)	5.75 (146.1)	3.25 (82.6)	0.75 (19.1)
	3/4-in	300/600#	5.47 (138.9)	6.50 (165.1)	2.36 (60.0)	2.51 (63.9)	2.31 (58.7)	5.47 (138.9)	3.25 (82.6)	0.63 (15.9)
		900#	5.75 (146.1)	6.75 (171.5)	2.79 (71.0)	2.79 (71.0)	2.88 (73.0)	5.75 (146.1)	3.50 (88.9)	0.75 (19.1)
	1-in	150#	5.47 (138.9)	6.50 (165.1)	2.31 (58.8)	2.51 (63.9)	2.00 (50.8)	5.47 (138.9)	3.12 (79.2)	0.50 (12.7)
		300/600#	5.47 (138.9)	6.50 (165.1)	2.41 (61.3)	2.51 (63.9)	2.31 (58.7)	5.47 (138.9)	3.50 (88.9)	0.63 (15.9)
1-1/2-in	150#	900#	5.88 (149.4)	6.75 (171.5)	3.01 (76.6)	3.01 (76.6)	3.19 (81.0)	5.75 (146.1)	4.00 (101.6)	0.88 (22.2)
		300/600#	5.47 (138.9)	6.50 (165.1)	2.31 (58.8)	2.51 (63.9)	2.25 (57.2)	5.47 (138.9)	3.88 (98.6)	0.50 (12.7)
	300/600#	900#	6.12 (155.4)	6.50 (165.1)	2.56 (65.1)	2.56 (65.1)	2.63 (66.7)	5.47 (138.9)	4.50 (114.3)	0.75 (19.1)
		900#	7.00 (177.8)	7.00 (177.8)	3.61 (91.8)	3.61 (91.8)	3.25 (82.6)	5.75 (146.1)	4.88 (124.0)	1.00 (25.4)
	2-in	150#	6.00 (152.4)	6.50 (165.1)	2.66 (67.7)	2.51 (63.9)	2.31 (58.7)	5.47 (138.9)	4.75 (120.7)	0.63 (15.9)
		300/600#	6.50 (165.1)	6.50 (165.1)	3.11 (79.1)	3.11 (79.1)	2.81 (71.4)	5.47 (138.9)	5.00 (127.0)	0.63 (15.9)
900#	900#	8.50 (215.9)	8.50 (215.9)	3.56 (90.5)	3.56 (90.5)	3.44 (87.3)	5.75 (146.1)	6.50 (165.1)	0.88 (22.2)	

	PIPE SIZE	CLASS	RTJ GROOVE PITCH DIA "G"	PROCESS INNER DIA. "H"	WEIGHT LBS (KG)	
					W/ NO OR 1/4-IN NPT FLUSH CONN	W/ 1/2-IN NPT FLUSH CONN
ASME B16.5	1/2-in	300/600#	1.34 (34.1)	0.62 (15.7)	14.06 (6.38)	18.33 (8.32)
		900#	1.56 (39.7)	0.62 (15.7)	20.23 (9.18)	23.76 (10.78)
	3/4-in	300/600#	1.69 (42.9)	0.82 (20.8)	14.83 (6.73)	18.85 (8.56)
		900#	1.75 (44.5)	0.82 (20.8)	20.25 (9.19)	23.74 (10.77)
	1-in	150#	1.88 (47.6)	1.05 (26.7)	14.06 (6.38)	18.33 (8.32)
		300/600#	2.00 (50.8)	1.05 (26.7)	15.08 (6.85)	18.85 (8.56)
1-1/2-in	150#	900#	2.00 (50.8)	1.05 (26.7)	23.02 (10.45)	26.48 (12.02)
		300/600#	2.56 (65.1)	1.61 (40.9)	14.11 (6.41)	18.38 (8.34)
	300/600#	900#	2.69 (68.3)	1.61 (40.9)	18.65 (8.47)	19.97 (9.06)
		900#	2.69 (68.3)	1.61 (40.9)	33.63 (15.27)	33.63 (15.27)
	2-in	150#	3.25 (82.6)	2.07 (52.6)	18.09 (8.21)	18.85 (8.56)
		300/600#	3.25 (82.6)	2.07 (52.6)	24.57 (11.15)	24.57 (11.15)
900#	3.75 (95.3)	2.07 (52.6)	42.19 (19.15)	42.19 (19.15)		

©2015 ROSEMOUNT INC. ROSEMOUNT INC. ACCEPTS THIS DRAWING AS MADE IN ACCORDANCE WITH ROSEMOUNT ENGINEERING SPECIFICATIONS. UNIT NOTES IN INCHES (mm). REFERENCE ROSEMOUNT PRODUCT SHEETS FOR PRODUCT SPECIFICATIONS. CLICK HERE

EMERSON

3RD ANGLE SIZE D SCALE NTS

TITLE ROSEMOUNT 1199 SEALS TYPE I DRAWING

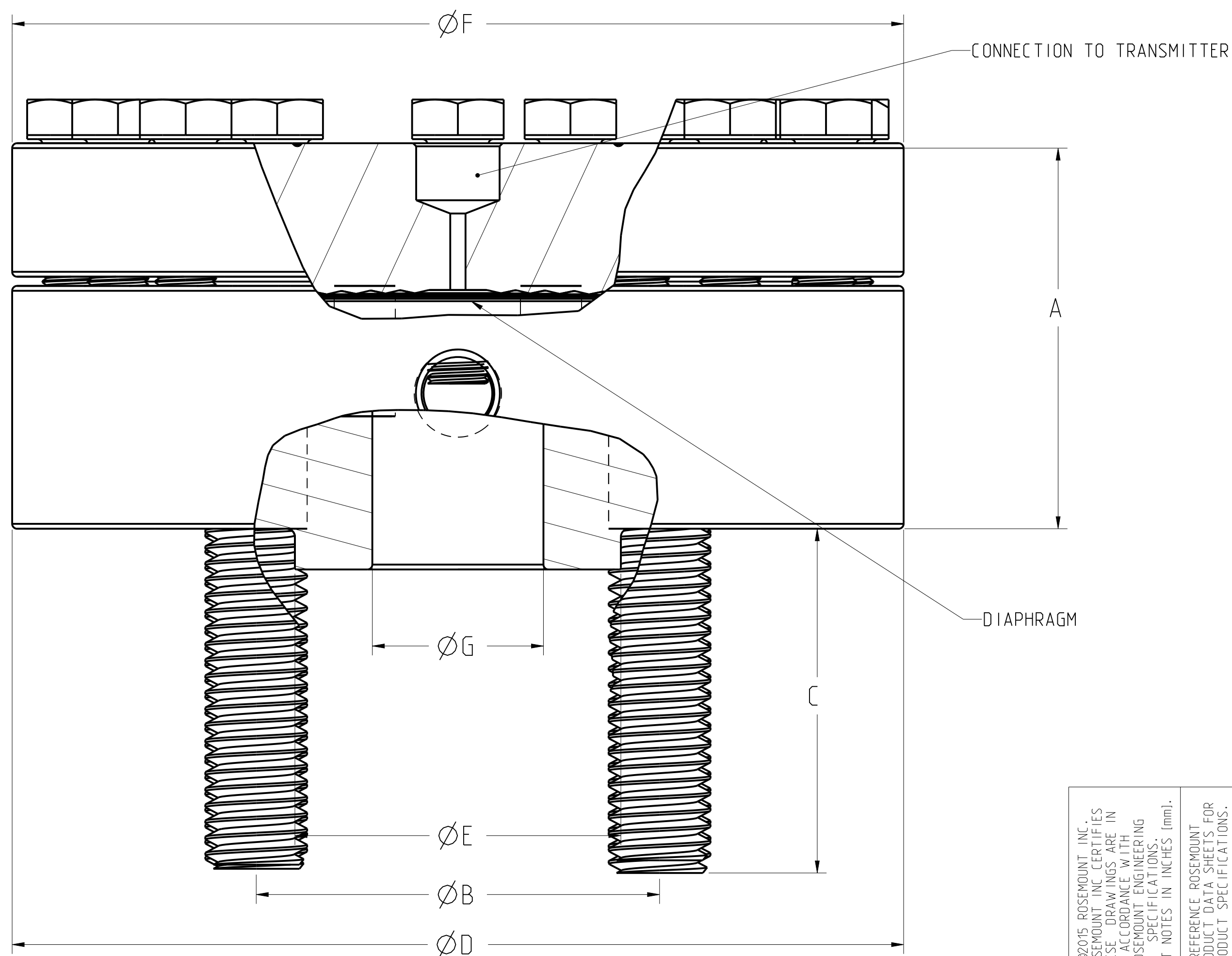
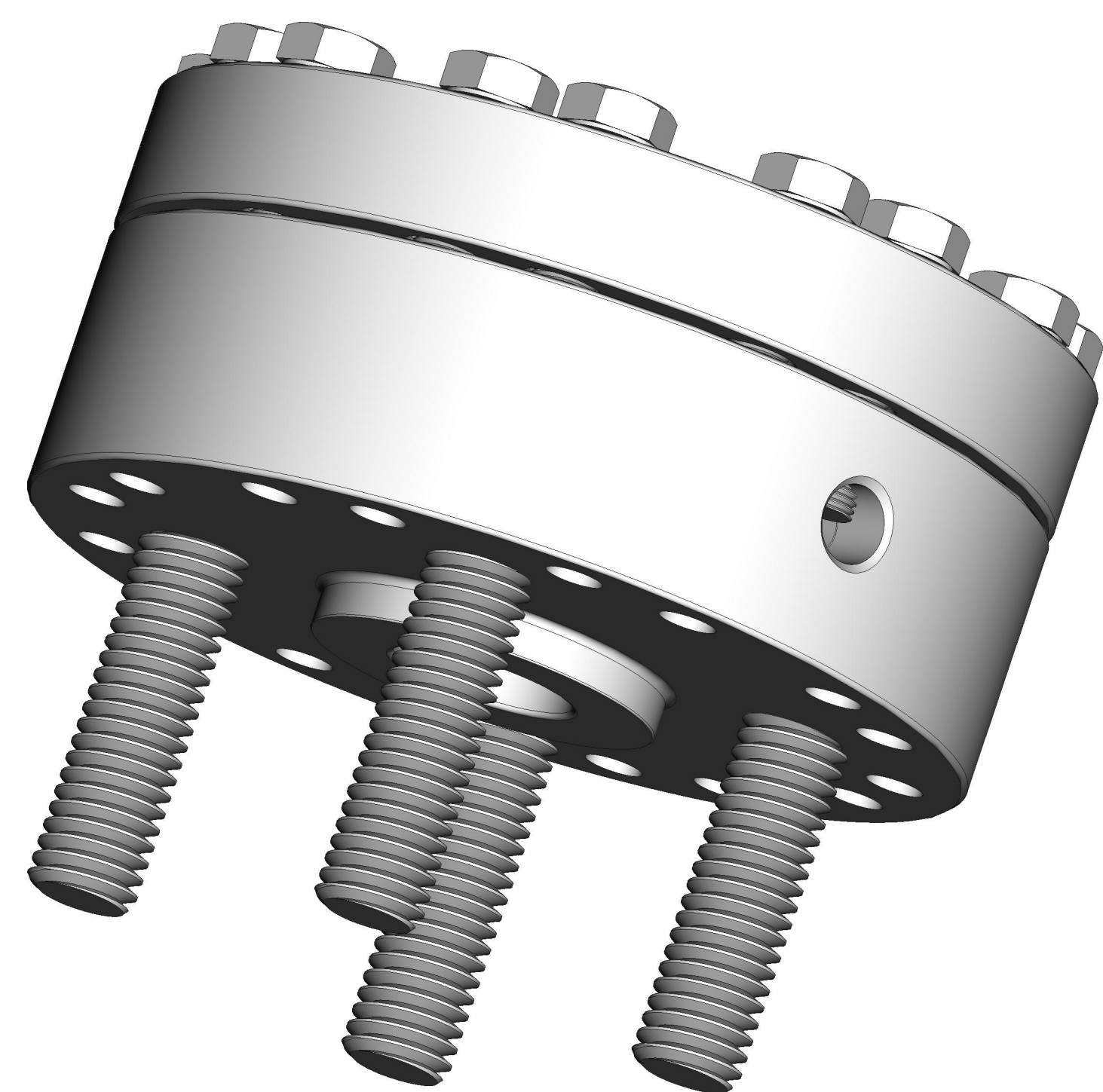
DR. J. ARMSTRONG 3/7/17 DRAWING NO. 01199-9500

APP'D L.BRYANT 3/7/17

CAD MAINTAINED (PRO/E) SHEET 15 OF 41

REMOTE FLANGED SEAL (RFW)
STUD BOLT DESIGN 4.1-in OPTION

	PIPE SIZE	CLASS	OVERALL HEIGHT "A"		STUD CIRCLE DIAMETER "B"	STUD PROTRUDING LENGTH "C"	LOWER HOUSING DIA. "D"		RAISE FACE DIA. "E"	UPPER OUTER DIA. "F"	LOWER HOUSING ID "G"	WEIGHT LBS (KG)	
			W/ NO OR 1/4-IN NPT FLUSH CONN	W/ 1/2-IN NPT FLUSH CONN			W/ NO OR 1/4-IN NPT FLUSH CONN	W/ 1/2-IN NPT FLUSH CONN					
ASME B16.5	1/2-in	150#	2.41 (61.3)	2.41 (61.3)	2.38 (60.5)	1.50 (38.1)	5.47 (138.9)	6.50 (165.1)	1.38 (35.1)	5.47 (138.9)	0.62 (15.75)	14.30 (6.49)	17.31 (7.86)
		300#	2.56 (65.1)	2.56 (65.1)	2.62 (66.5)	1.50 (38.1)	5.47 (138.9)	6.50 (165.1)	1.38 (35.1)	5.47 (138.9)	0.62 (15.75)	15.03 (6.82)	18.34 (8.33)
		600#	2.56 (65.1)	2.56 (65.1)	2.62 (66.5)	2.00 (50.8)	5.47 (138.9)	6.50 (165.1)	1.38 (35.1)	5.47 (138.9)	0.62 (15.75)	15.14 (6.87)	18.46 (8.38)
	3/4-in	900#	3.06 (77.8)	3.06 (77.8)	3.25 (82.6)	2.63 (66.7)	5.75 (146.1)	6.75 (171.5)	1.38 (35.1)	5.75 (146.1)	0.62 (15.75)	21.40 (9.71)	25.37 (11.51)
		150#	2.41 (61.3)	2.41 (61.3)	2.75 (69.9)	1.50 (38.1)	5.47 (138.9)	6.50 (165.1)	1.69 (42.9)	5.47 (138.9)	0.82 (20.83)	14.30 (6.49)	17.31 (7.86)
		300#	2.65 (67.4)	2.65 (67.4)	3.25 (82.6)	1.81 (46.0)	5.47 (138.9)	6.50 (165.1)	1.69 (42.9)	5.47 (138.9)	0.82 (20.83)	15.93 (7.23)	19.43 (8.82)
	600#	600#	2.65 (67.4)	2.65 (67.4)	3.25 (82.6)	2.06 (52.4)	5.47 (138.9)	6.50 (165.1)	1.69 (42.9)	5.47 (138.9)	0.82 (20.83)	16.02 (7.27)	19.52 (8.86)
		900#	2.86 (72.7)	2.86 (72.7)	3.50 (88.9)	2.63 (66.7)	5.75 (146.1)	6.75 (171.5)	1.69 (42.9)	5.75 (146.1)	0.82 (20.83)	20.32 (9.22)	23.88 (10.84)
		150#	2.41 (61.3)	2.41 (61.3)	3.12 (79.2)	1.50 (38.1)	5.47 (138.9)	6.50 (165.1)	2.00 (50.8)	5.47 (138.9)	1.05 (26.67)	14.30 (6.49)	17.31 (7.86)
	300#	300#	2.65 (67.4)	2.65 (67.4)	3.50 (88.9)	1.81 (46.0)	5.47 (138.9)	6.50 (165.1)	2.00 (50.8)	5.47 (138.9)	1.05 (26.67)	15.93 (7.23)	19.43 (8.82)
		600#	2.65 (67.4)	2.65 (67.4)	3.50 (88.9)	2.31 (58.7)	5.47 (138.9)	6.50 (165.1)	2.00 (50.8)	5.47 (138.9)	1.05 (26.67)	16.11 (7.31)	19.60 (8.90)
		900#	3.06 (77.8)	3.06 (77.8)	4.00 (101.6)	2.94 (74.6)	5.75 (146.1)	6.75 (171.5)	2.00 (50.8)	5.75 (146.1)	1.05 (26.67)	22.44 (10.19)	26.41 (11.99)
1-1/2-in	150#	2.41 (61.3)	2.41 (61.3)	3.88 (98.6)	1.75 (44.5)	5.47 (138.9)	6.50 (165.1)	2.88 (73.2)	5.47 (138.9)	1.61 (40.89)	14.36 (6.52)	17.37 (7.88)	
	300#	2.81 (71.5)	2.81 (71.5)	4.50 (114.3)	2.13 (54.0)	6.00 (152.4)	6.50 (165.1)	2.88 (73.2)	5.47 (138.9)	1.61 (40.89)	19.28 (8.75)	21.21 (9.63)	
	600#	2.81 (71.5)	2.81 (71.5)	4.50 (114.3)	2.63 (66.7)	6.00 (152.4)	6.50 (165.1)	2.88 (73.2)	5.47 (138.9)	1.61 (40.89)	19.53 (8.87)	21.47 (9.74)	
900#	900#	3.31 (84.2)	3.31 (84.2)	4.88 (124.0)	3.25 (82.6)	7.00 (177.8)	7.00 (177.8)	2.88 (73.2)	5.75 (146.1)	1.61 (40.89)	30.85 (14.00)	30.85 (14.00)	
	150#	2.41 (61.3)	2.41 (61.3)	4.75 (120.7)	1.81 (46.0)	6.00 (152.4)	6.50 (165.1)	3.62 (91.9)	5.47 (138.9)	1.61 (40.89)	16.25 (7.38)	17.78 (8.07)	
EN1092-1	DN25	PN40	2.41 (61.3)	2.41 (61.3)	3.35 (85.1)	1.65 (42.0)	5.47 (138.9)	6.50 (165.1)	2.68 (68.0)	5.47 (138.9)	1.12 (28.45)	14.27 (6.48)	17.28 (7.84)
		PN63	2.79 (71.0)	2.79 (71.0)	3.94 (100.1)	2.01 (51.0)	5.47 (138.9)	6.50 (165.1)	2.68 (68.0)	5.47 (138.9)	1.12 (28.45)	17.36 (7.88)	20.37 (9.25)
		PN100	2.79 (71.0)	2.79 (71.0)	3.94 (100.1)	2.01 (51.0)	5.75 (146.1)	6.75 (171.5)	2.68 (68.0)	5.75 (146.1)	1.12 (28.45)	19.09 (8.67)	22.51 (10.22)
	DN40	PN40	2.41 (61.3)	2.41 (61.3)	4.33 (110.0)	1.81 (46.0)	5.91 (150.1)	6.50 (165.1)	3.47 (88.0)	5.47 (138.9)	1.70 (43.18)	16.00 (7.26)	17.79 (8.08)
		PN63	2.79 (71.0)	2.79 (71.0)	4.92 (125.0)	1.81 (46.0)	6.69 (169.9)	6.75 (171.5)	3.47 (88.0)	5.47 (138.9)	1.70 (43.18)	21.91 (9.95)	22.11 (10.04)
		PN100	2.79 (71.0)	2.79 (71.0)	4.92 (125.0)	2.36 (60.0)	6.69 (169.9)	6.75 (171.5)	3.47 (88.0)	5.75 (146.1)	1.70 (43.18)	23.22 (10.54)	23.45 (10.64)



©2015 ROSEMOUNT INC. ROSEMOUNT INC. ACCEPTS THIS DRAWING AS IS IN THE ACCORDANCE WITH ROSEMOUNT ENGINEERING SPECIFICATIONS. UNIT NOTES IN INCHES (mm).

REFERENCE ROSEMOUNT PRODUCT SHEETS FOR PRODUCT SPECIFICATIONS. CLICK HERE

EMERSON

TITLE: ROSEMOUNT 1199 SEALS TYPE I DRAWING

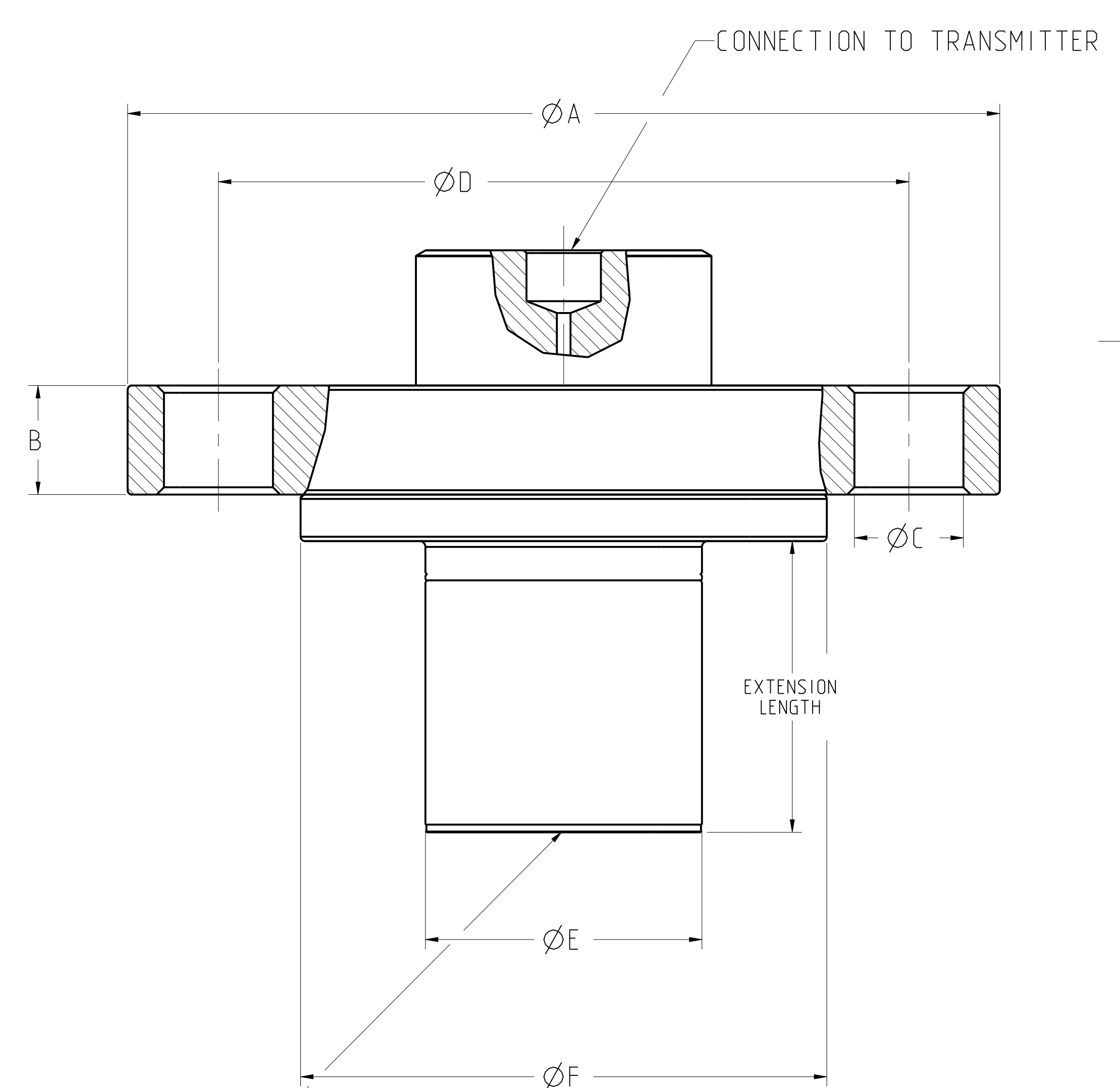
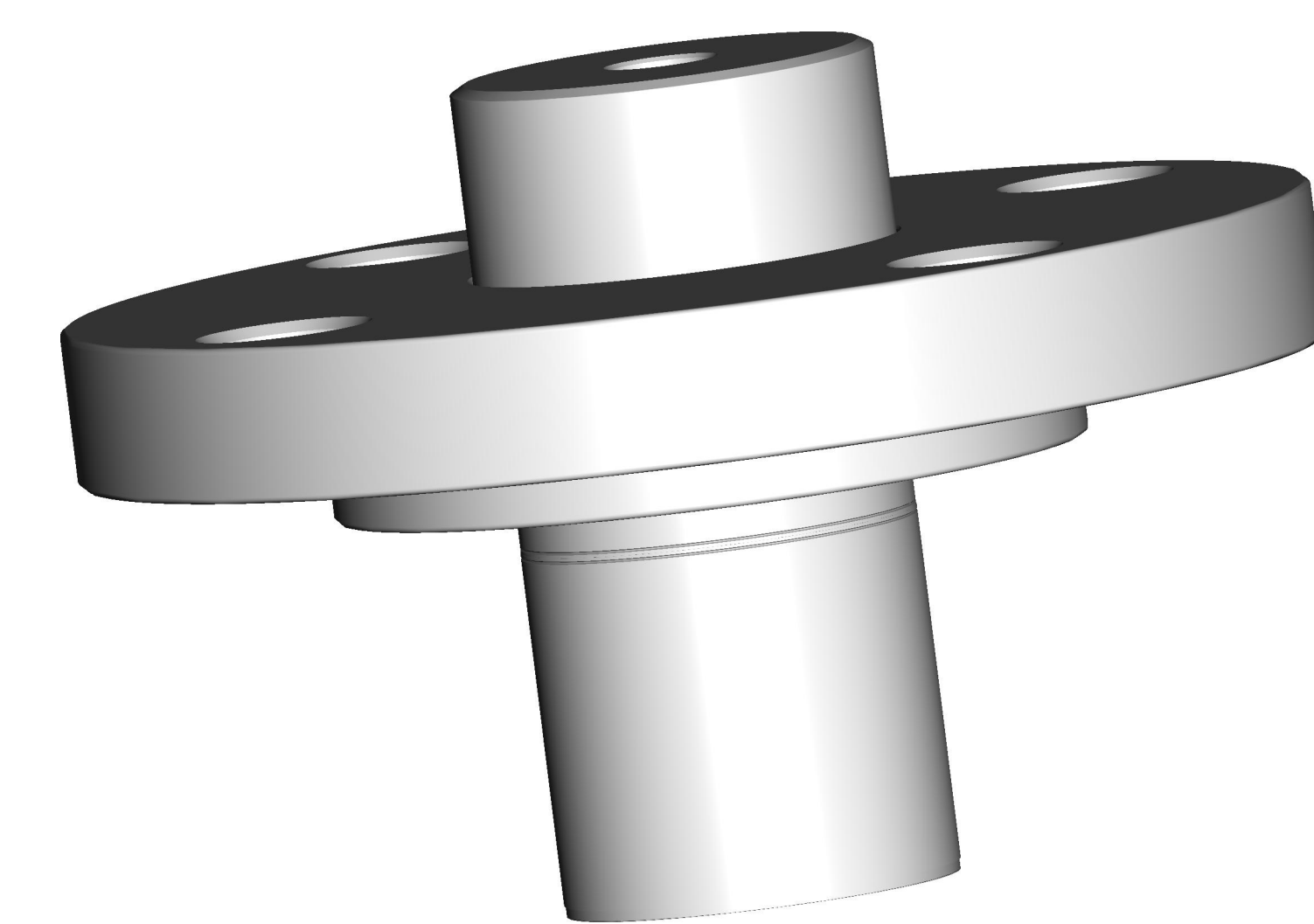
DR. J. ARMSTRONG 3/7/17 DRAWING NO. 01199-9500

APP'D L.BRYANT 3/7/17

CAD MAINTAINED. (PRO/E) SHEET 16 OF 41

EXTENDED FLANGED SEAL (EFW)

	PIPE SIZE	CLASS	DIAMETER "A"	THICKNESS "B"	DIAMETER "C"	BOLT CIRCLE DIAMETER "D"	# OF BOLTS	DIAMETER "F"	
ASME B16.5	1-1/2"	150#	5.00 (127)	0.62 (16)	0.63 (16)	3.88 (99)	4	2.88 (73)	
		300#	6.12 (155)	0.75 (19)	0.88 (22)	4.50 (114)	4	2.88 (73)	
		600#	6.12 (155)	0.88 (22)	0.88 (22)	4.50 (114)	4	2.88 (73)	
		900#	7.00 (178)	1.25 (32)	1.13 (29)	4.88 (124)	4	2.88 (73)	
		1500#	7.00 (178)	1.25 (32)	1.13 (29)	4.88 (124)	4	2.88 (73)	
	2"	2500#	8.00 (203)	1.75 (44)	1.25 (32)	5.75 (146)	4	2.88 (73)	
		150#	6.00 (152)	0.69 (18)	0.75 (19)	4.75 (121)	4	3.62 (92)	
		300#	6.50 (165)	0.81 (21)	0.75 (19)	5.00 (127)	8	3.62 (92)	
		600#	6.50 (165)	1.00 (25)	0.75 (19)	5.00 (127)	8	3.62 (92)	
		900#	8.50 (216)	1.50 (38)	1.00 (25)	6.50 (165)	8	3.62 (92)	
	3"	1500#	8.50 (216)	1.50 (38)	1.00 (25)	6.50 (165)	8	3.62 (92)	
		2500#	9.25 (235)	2.00 (51)	1.13 (29)	6.75 (171)	8	3.62 (92)	
		150#	7.50 (191)	0.88 (22)	0.75 (19)	6.00 (152)	4	5.00 (127)	
		300#	8.25 (210)	1.06 (27)	0.88 (22)	6.62 (168)	8	5.00 (127)	
		600#	8.25 (210)	1.25 (32)	0.88 (22)	6.62 (168)	8	5.00 (127)	
4"	900#	9.50 (241)	1.50 (38)	1.00 (25)	7.50 (191)	8	5.00 (127)		
	1500#	10.50 (267)	1.88 (48)	1.25 (32)	8.00 (203)	8	5.00 (127)		
	2500#	12.00 (305)	2.62 (67)	1.38 (35)	9.00 (229)	8	5.00 (127)		
	150#	9.00 (229)	0.88 (22)	0.75 (19)	7.50 (191)	8	6.20 (127)		
	300#	10.00 (254)	1.19 (30)	0.88 (22)	7.88 (200)	8	6.20 (127)		
EN1092-1	DN40	PN16-PN40	5.91 [150]	0.71 [18]	0.71 [18]	4.33 [110]	4	3.46 [88]	
		PN63-PN100	6.69 [170]	1.02 [26]	0.87 [22]	4.92 [125]	4	3.46 [88]	
		PN160	6.69 [170]	1.10 [28]	0.87 [22]	4.92 [125]	4	3.46 [88]	
	DN50	PN40	6.50 (165)	0.79 (20)	0.71 (18)	4.92 (125)	4	4.02 (102)	
		PN63	7.09 (180)	1.02 (26)	0.87 (22)	5.31 (135)	4	4.02 (102)	
		PN100	7.68 (195)	1.10 (28)	1.02 (26)	5.71 (145)	4	4.02 (102)	
	DN80	PN160	7.68 (195)	1.18 (30)	1.02 (26)	5.71 (145)	4	4.02 (102)	
		PN40	7.87 (200)	0.94 (24)	0.71 (18)	6.30 (160)	8	5.43 (138)	
		PN63	8.46 (215)	1.10 (28)	0.87 (22)	6.69 (170)	8	5.43 (138)	
	DN100	PN100	9.06 (230)	1.26 (32)	1.02 (26)	7.09 (180)	8	5.43 (138)	
		PN160	9.06 (230)	1.42 (36)	1.02 (26)	7.09 (180)	8	5.43 (138)	
		PN10/16	8.66 (220)	0.79 (20)	0.71 (18)	7.09 (180)	8	6.20 (157)	
	JIS 2220	40A	10K-16K	5.51 [140]	0.65 [16.5]	0.75 [19.1]	4.13 [104.9]	4	3.15 [80]
			20K	5.51 [140]	0.73 [18.5]	0.75 [19.1]	4.13 [104.9]	4	3.15 [80]
			40K	6.30 [160]	0.97 [24.6]	0.91 [23.1]	4.72 [119.9]	4	3.15 [80]
50A		10K	6.10 (155)	0.63 (16)	0.75 (19)	4.72 (120)	4	4.00 (102)	
		20K	6.10 (155)	0.71 (18)	0.75 (19)	4.72 (120)	8	4.00 (102)	
		40K	6.50 (165)	1.02 (26)	0.75 (19)	5.12 (130)	8	4.00 (102)	
80A		10K	7.28 (185)	0.71 (18)	0.75 (19)	5.91 (150)	8	5.43 (138)	
		20K	7.87 (200)	0.87 (22)	0.91 (23)	6.30 (160)	8	5.43 (138)	
		40K	8.27 (210)	1.26 (32)	0.91 (23)	6.69 (170)	8	5.43 (138)	
100A		10K	8.27 (210)	0.71 (18)	0.75 (19)	6.89 (175)	8	6.20 (157)	
		20K	8.86 (225)	0.94 (24)	0.91 (23)	7.28 (185)	8	6.20 (157)	
		40K	9.84 (250)	1.42 (36)	0.98 (25)	8.07 (205)	8	6.20 (157)	



ASME B16.5	EN1092-1	JIS 2220	DIAMETER "E"
1-1/2"	DN40	40A	1.45 (37)
2"	DN50	50A	1.90 (48)
3"	DN80	80A	2.58 (66)
3" Sch 40	DN80	80A	2.85 (73)
3" Headbox	DN80 Headbox	N/A	2.875 (74)
4"	DN100	100A	3.50 (89)
4" Sch 40	DN100	100A	3.70 (94)
4" Headbox	DN100 Headbox	N/A	3.78 (96)

DIMENSIONS IN INCHES (MILLIMETERS)

©2015 ROSEMOUNT INC. ROSEMOUNT INC. ACCEPTS THIS DRAWING AS MADE IN ACCORDANCE WITH ROSEMOUNT ENGINEERING SPECIFICATIONS. UNIT NOTES IN INCHES (mm).

REFERENCE ROSEMOUNT PRODUCT SHEETS FOR PRODUCT SPECIFICATIONS. CLICK HERE

EMERSON

3RD ANGLE

SIZE D SCALE NTS

TITLE ROSEMOUNT 1199 SEALS TYPE I DRAWING

DR. J. ARMSTRONG 3/7/17 DRAWING NO. 01199-9500

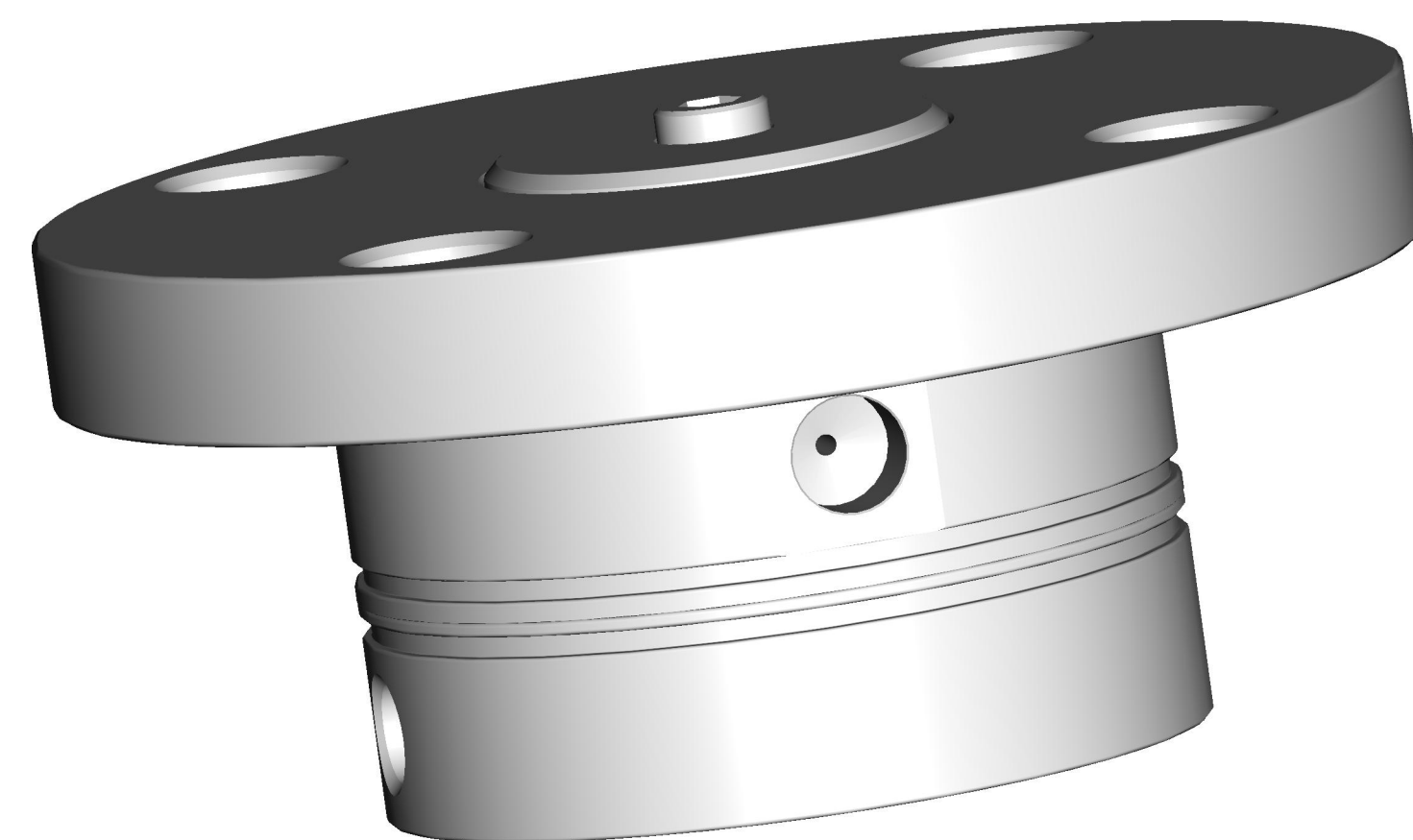
APP'D L.BRYANT 3/7/17

CAD MAINTAINED. (PRO/E) SHEET 17 OF 41

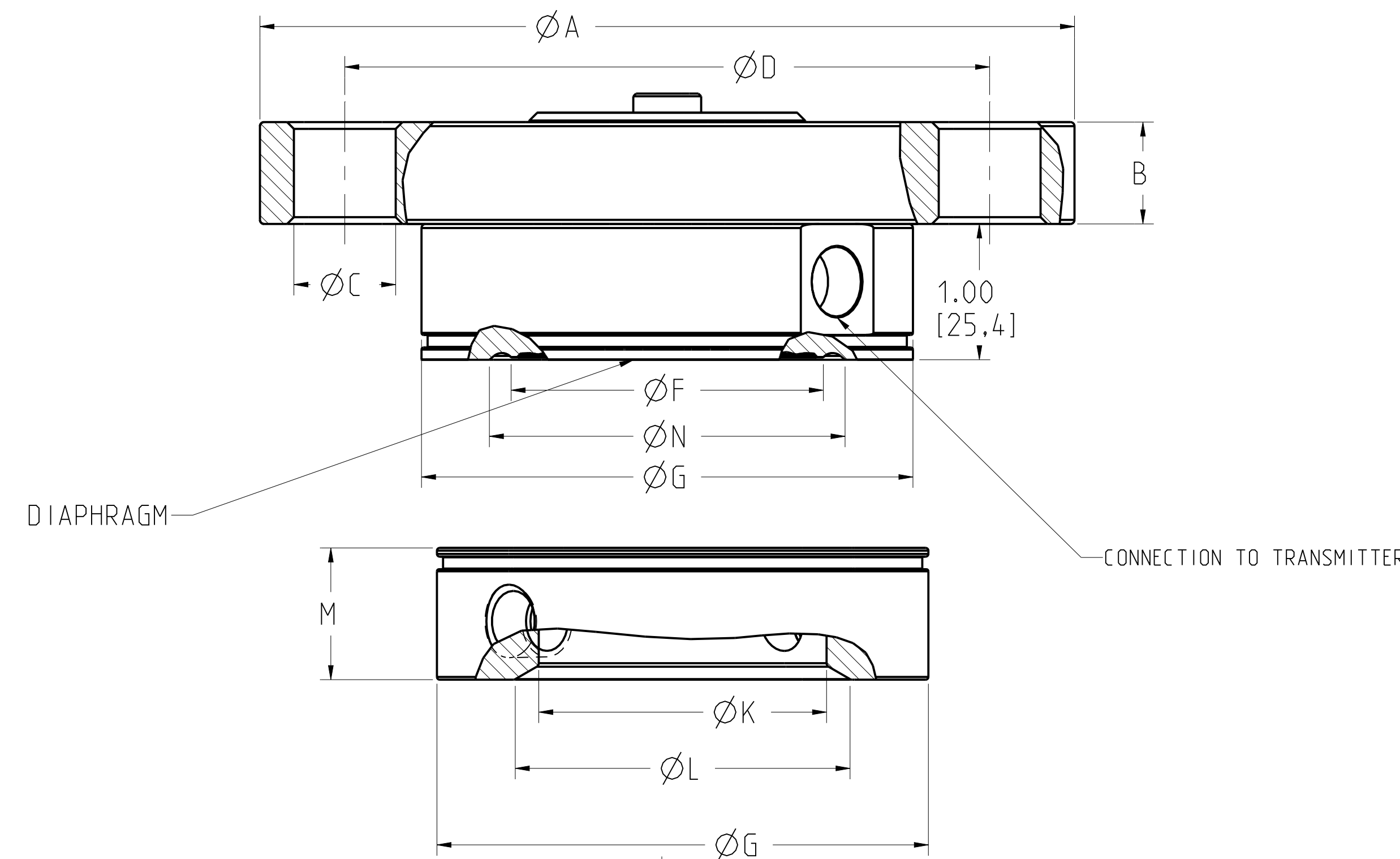
**FLANGED PANCAKE SEAL
(PFW)**

	PIPE SIZE	CLASS	FLANGE DIAMETER "A"	FLANGE THICKNESS "B"	BOLT HOLE DIAMETER "C"	BOLT CIRCLE "D"	# OF BOLTS	STANDARD DIAPHRAGM DIAMETER "F"	
ASME B16.5	2"	150#	6.00 (152)	0.69 (18)	0.75 (19)	4.75 (121)	4	2.30 (58)	
		300#	6.50 (165)	0.81 (21)	0.75 (19)	5.00 (127)	8	2.30 (58)	
		600#	6.50 (165)	1.00 (25)	0.75 (19)	5.00 (127)	8	2.30 (58)	
		900/1500#	8.50 (216)	1.50 (38)	1.00 (25)	6.50 (165)	8	2.30 (58)	
		2500#	9.25 (235)	2.00 (51)	1.13 (29)	6.75 (172)	8	2.30 (58)	
	3"	150#	7.50 (191)	0.88 (22)	0.75 (19)	6.00 (152)	4	3.50 (89)	
		300#	8.25 (210)	1.06 (27)	0.88 (22)	6.62 (168)	8	3.50 (89)	
		600#	8.25 (210)	1.25 (32)	0.88 (22)	6.62 (168)	8	3.50 (89)	
		900#	10.50 (267)	1.50(38)	1.25 (32)	8.00 (203)	8	3.50 (89)	
		1500#	10.50 (267)	1.88 (48)	1.25 (32)	8.00 (203)	8	3.50 (89)	
EN1092-1	DN 50	PN40	6.50 (165)	0.67 (17)	0.79 (20)	4.92 (125)	4	2.30 (58)	
		PN63	7.09 (180)	0.91 (23)	1.02 (26)	5.31 (135)	4	2.30 (58)	
		PN100	7.68 (195)	0.98 (25)	1.10 (28)	5.71 (145)	4	2.30 (58)	
		DN 80	PN40	7.87 (200)	0.83 (21)	0.79 (20)	6.30 (160)	8	3.50 (89)
		PN63	8.46 (215)	0.98 (25)	1.02 (26)	6.69 (170)	8	3.50 (89)	
		PN100	9.06 (230)	0.98 (25)	1.10 (28)	7.09 (180)	8	3.50 (89)	

	PIPE SIZE	CLASS	DIAMETER "G"	INNER DIAMETER "K"	BEVELED DIAMETER "L"	THICKNESS WITH 1/4-NPT F.C. "M"	THICKNESS WITH 1/2-NPT F.C. "M"	MINIMUM GASKET I.D. "N"
ASME B16.5	2"	150#	3.62 (92)	2.12 (54)	2.48 (63)	0.97 (25)	1.30 (33)	2.50 (64)
		300#	3.62 (92)	2.12 (54)	2.48 (63)	0.97 (25)	1.30 (33)	2.50 (64)
		600#	3.62 (92)	2.12 (54)	2.48 (63)	0.97 (25)	1.30 (33)	2.50 (64)
		900/1500#	3.62 (92)	2.12 (54)	-	0.97 (25)	1.30 (33)	2.50 (64)
		2500#	3.62 (92)	2.12 (54)	-	0.97 (25)	1.30 (33)	2.50 (64)
	3"	150#	5.00 (127)	3.60 (91)	-	0.97 (25)	1.30 (33)	3.70(94)
		300#	5.00 (127)	3.60 (91)	-	0.97 (25)	1.30 (33)	3.70(94)
		600#	5.00 (127)	3.60 (91)	-	0.97 (25)	1.30 (33)	3.70(94)
		900#	5.00 (127)	3.60 (91)	-	0.97 (25)	1.30 (33)	3.70(94)
		1500#	5.00 (127)	3.60 (91)	-	0.97 (25)	1.30 (33)	3.70(94)
EN1092-1	DN 50	PN 40	4.00 (102)	2.40 (61)	-	0.97 (25)	1.30 (33)	2.50 (64)
		PN 63	4.00 (102)	2.40 (61)	-	0.97 (25)	1.30 (33)	2.50 (64)
		PN100	4.00 (102)	2.40 (61)	-	0.97 (25)	1.30 (33)	2.50 (64)
	DN 80	PN 40	5.43 (138)	3.60 (91)	-	0.97 (25)	1.30 (33)	3.70(94)
		PN 63	5.43 (138)	3.60 (91)	-	0.97 (25)	1.30 (33)	3.70(94)
		PN 100	5.43 (138)	3.60 (91)	-	0.97 (25)	1.30 (33)	3.70(94)



DIMENSIONS IN INCHES (MILLIMETERS)



©2015 ROSEMOUNT INC. ROSEMOUNT INC. ACCEPTS THIS DRAWING AS IS IN ACCORDANCE WITH ROSEMOUNT ENGINEERING SPECIFICATIONS. UNIT NOTES IN INCHES (mm).

REFERENCE ROSEMOUNT PRODUCT SPECIFICATIONS FOR PRODUCT SPECIFICATIONS. CLICK HERE

EMERSON

3RD ANGLE

SIZE D SCALE NTS

TITLE ROSEMOUNT 1199 SEALS TYPE I DRAWING

DR. J. ARMSTRONG 3/7/17 DRAWING NO. 01199-9500

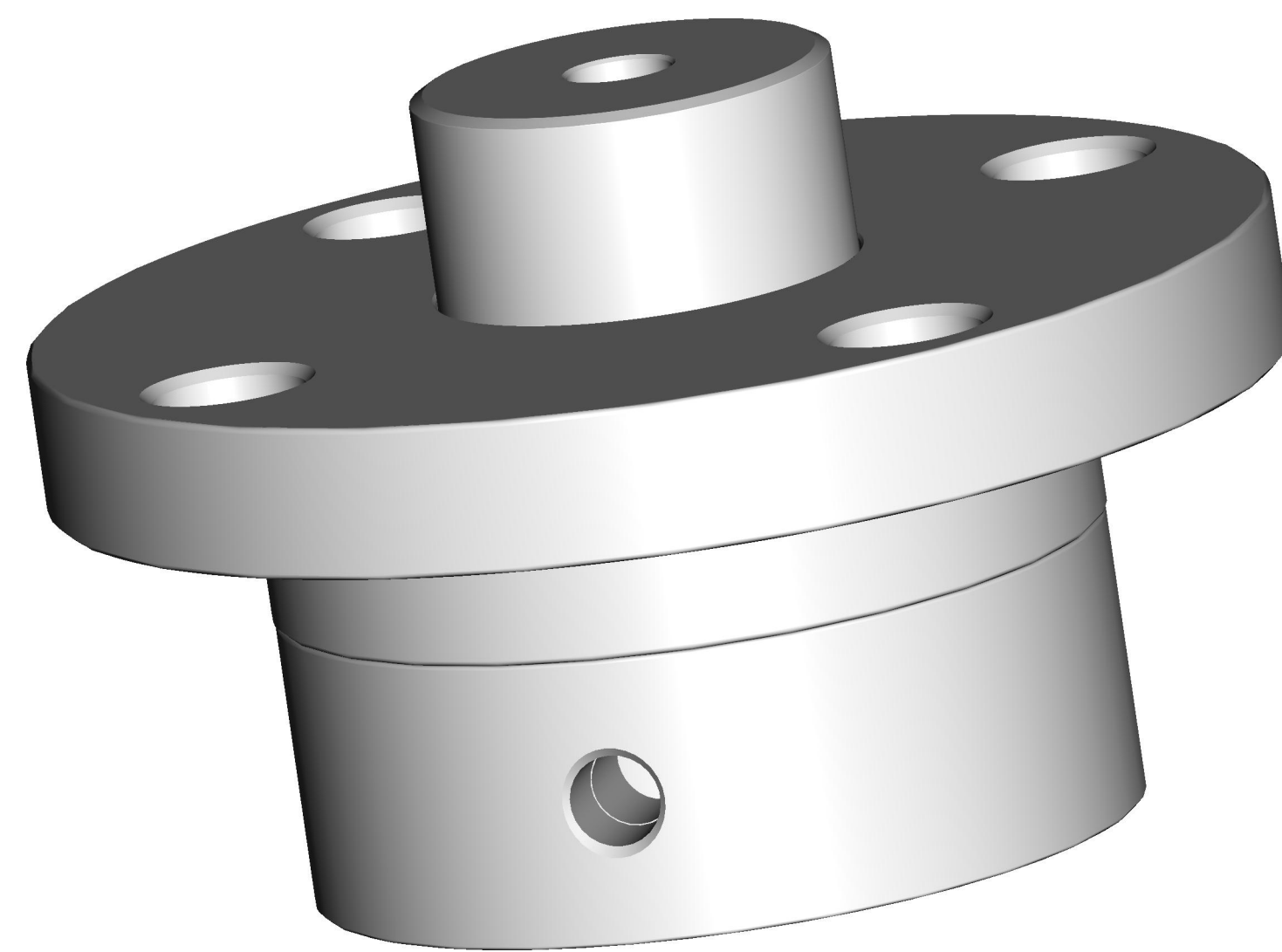
APP'D L.BRYANT 3/7/17

CAD MAINTAINED. (PRO/E) SHEET 18 OF 41

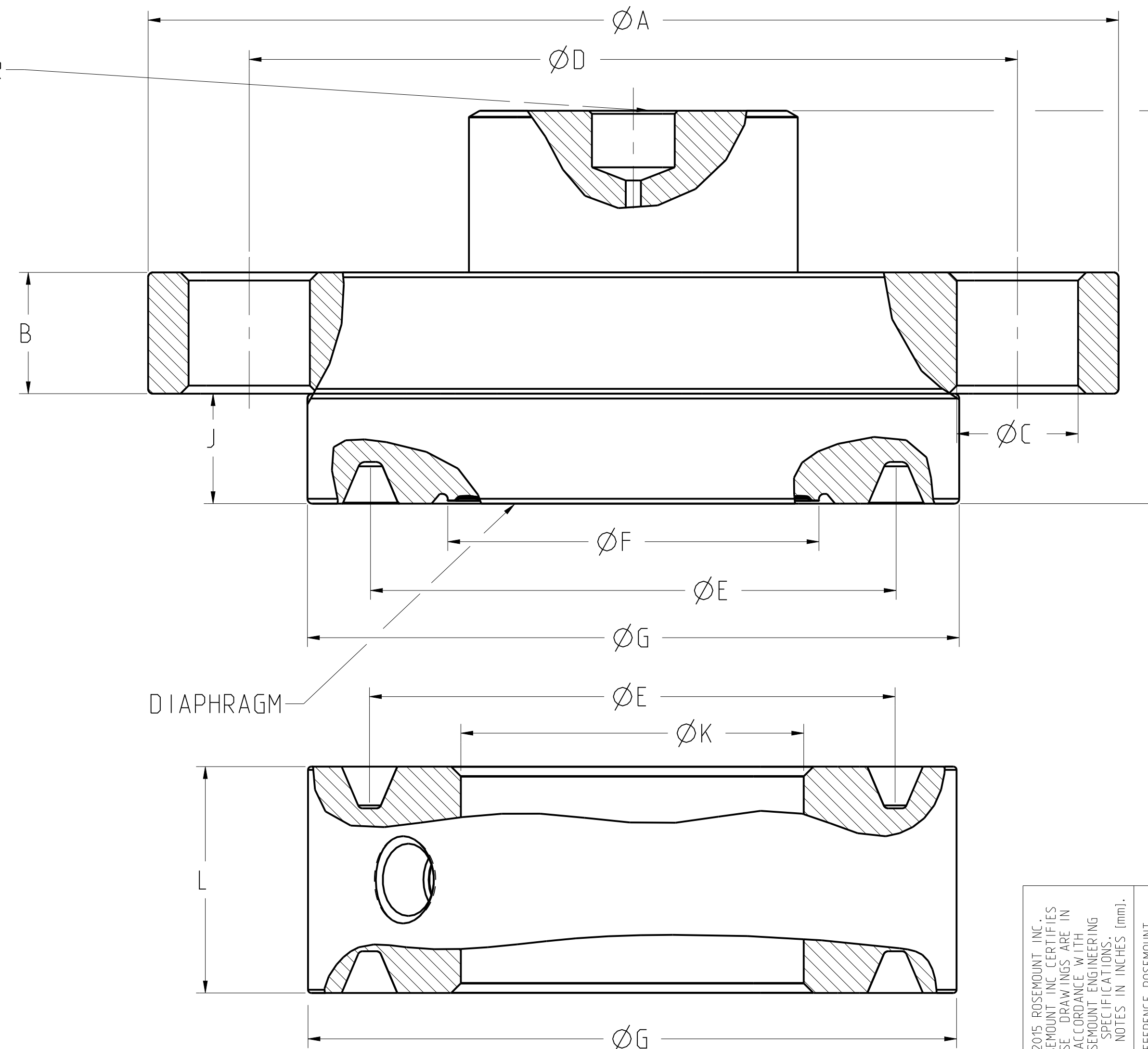
**FLUSHED FLANGE SEAL-RING
TYPE JOINT GASKET SURFACE (FCW)
TWO PIECE DESIGN**

	PIPE SIZE	CLASS	FLANGE DIAMETER "A"	FLANGE THICKNESS "B"	BOLT HOLE DIAMETER "C"	BOLT CIRCLE "D"	RTJ DIAMETER "E"	DIAPHRAGM DIAMETER "F"
ASME B16.5	2"	150#	6.00 (152)	0.69 (18)	0.75 (19)	4.75 (121)	3.25 (83)	2.30 (58)
		300#	6.50 (165)	0.82 (21)	0.75 (19)	5.00 (127)	3.25 (83)	2.30 (58)
		600#	6.50 (165)	1.00 (25)	0.75 (19)	5.00 (127)	3.25 (83)	2.30 (58)
		900/1500#	8.50 (216)	1.50 (38)	1.00 (25)	6.50 (165)	3.75 (95)	2.30 (58)
		2500#	9.25 (235)	2.00 (51)	1.14 (29)	6.75 (171)	4.00 (102)	3.50 (89)
	3"	150#	7.50 (191)	0.88 (22)	0.75 (19)	6.00 (152)	4.50 (114)	3.50 (89)
		300#	8.25 (210)	1.06 (27)	0.88 (22)	6.62 (168)	4.88 (124)	3.50 (89)
		600#	8.25 (210)	1.25 (32)	0.88 (22)	6.62 (168)	4.88 (124)	3.50 (89)
		900#	9.50 (241)	1.50 (38)	1.00 (25)	7.50 (191)	4.88 (124)	3.50 (89)
		1500#	10.50 (267)	1.88 (48)	1.25 (32)	8.00 (203)	5.38 (137)	3.50 (89)
	2500#	12.00 (305)	2.62 (67)	1.38 (35)	9.00 (229)	5.00 (127)	3.50 (89)	

	PIPE SIZE	CLASS	RAISED FACE DIAMETER "G"	OVERALL HEIGHT "H"	RAISED FACE HEIGHT "J"	INNER DIAMETER "K"	THICKNESS WITH 1/4-NPT F.C. "L"	THICKNESS WITH 1/2-NPT F.C. "L"
ASME B16.5	2"	150#	4.00 (102)	2.43 (62)	0.68 (17)	2.12 (54)	1.4 (36)	1.7 (43)
		300#	4.25 (108)	2.43 (62)	0.68 (17)	2.12 (54)	1.4 (36)	1.7 (43)
		600#	4.25 (108)	2.43 (62)	0.68 (17)	2.12 (54)	1.4 (36)	1.7 (43)
		900#	4.88 (124)	2.57 (65)	0.82 (21)	2.12 (54)	1.4 (36)	1.7 (43)
		1500#	4.88 (124)	2.57 (65)	0.82 (21)	2.12 (54)	1.4 (36)	1.7 (43)
	3"	2500#	5.25 (133)	3.07 (78)	0.82 (21)	2.12 (54)	1.4 (36)	1.7 (43)
		150#	5.25 (133)	2.43 (62)	0.68 (17)	3.60 (91)	1.5 (38)	1.8 (46)
		300#	5.75 (146)	2.43 (62)	0.68 (17)	3.60 (91)	1.5 (38)	1.8 (46)
		600#	5.75 (146)	2.43 (62)	0.68 (17)	3.60 (91)	1.5 (38)	1.8 (46)
		900#	6.12 (155)	2.57 (65)	0.82 (21)	3.60 (91)	1.5 (38)	1.8 (46)
	1500#	6.62 (168)	3.07 (78)	0.82 (21)	3.60 (91)	1.5 (38)	1.8 (46)	
	2500#	6.62 (168)	4.07 (103)	0.82 (21)	3.60 (91)	1.5 (38)	1.8 (46)	



CONNECTION TO TRANSMITTER

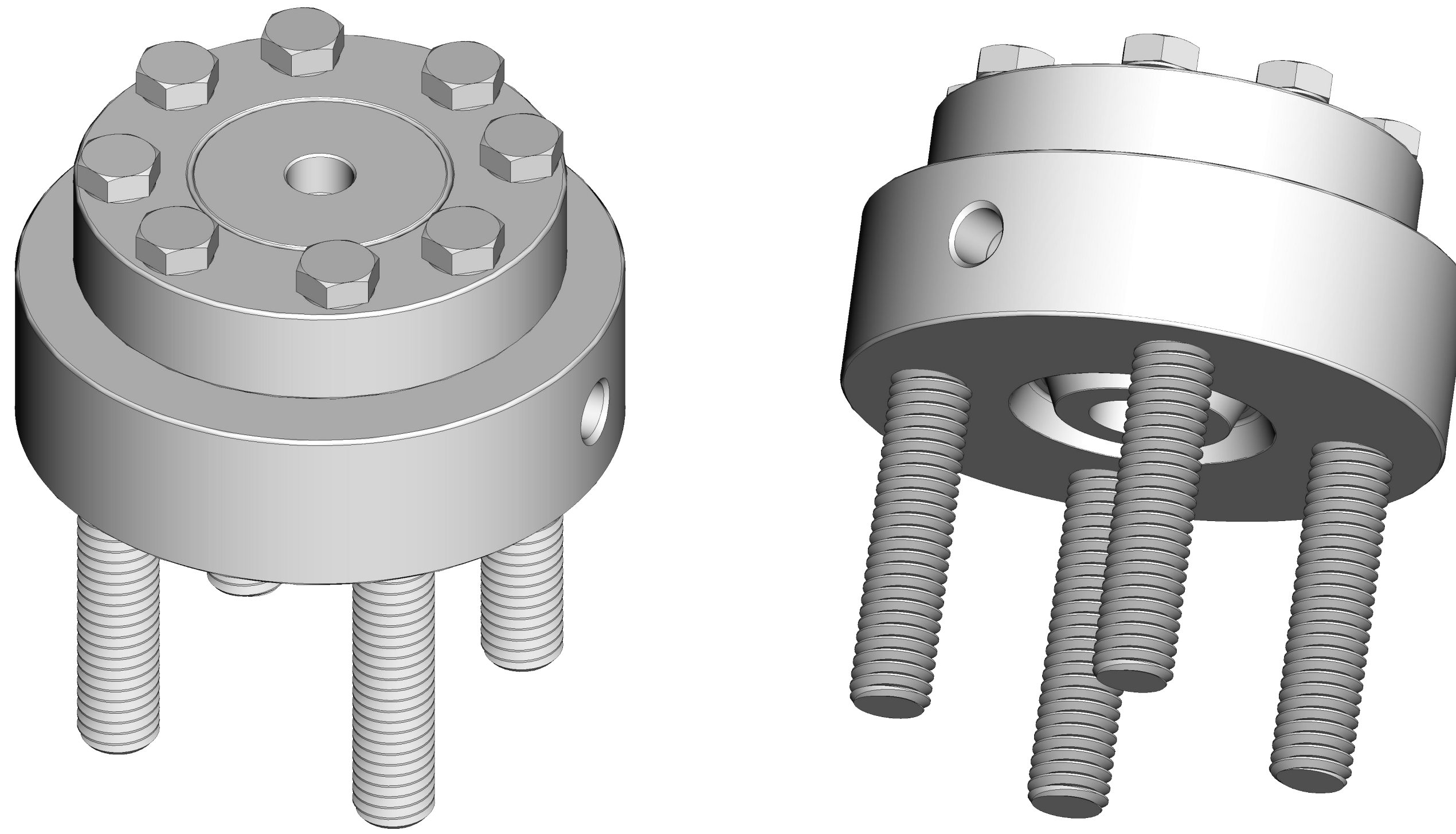


DIMENSIONS IN INCHES (MILLIMETERS)

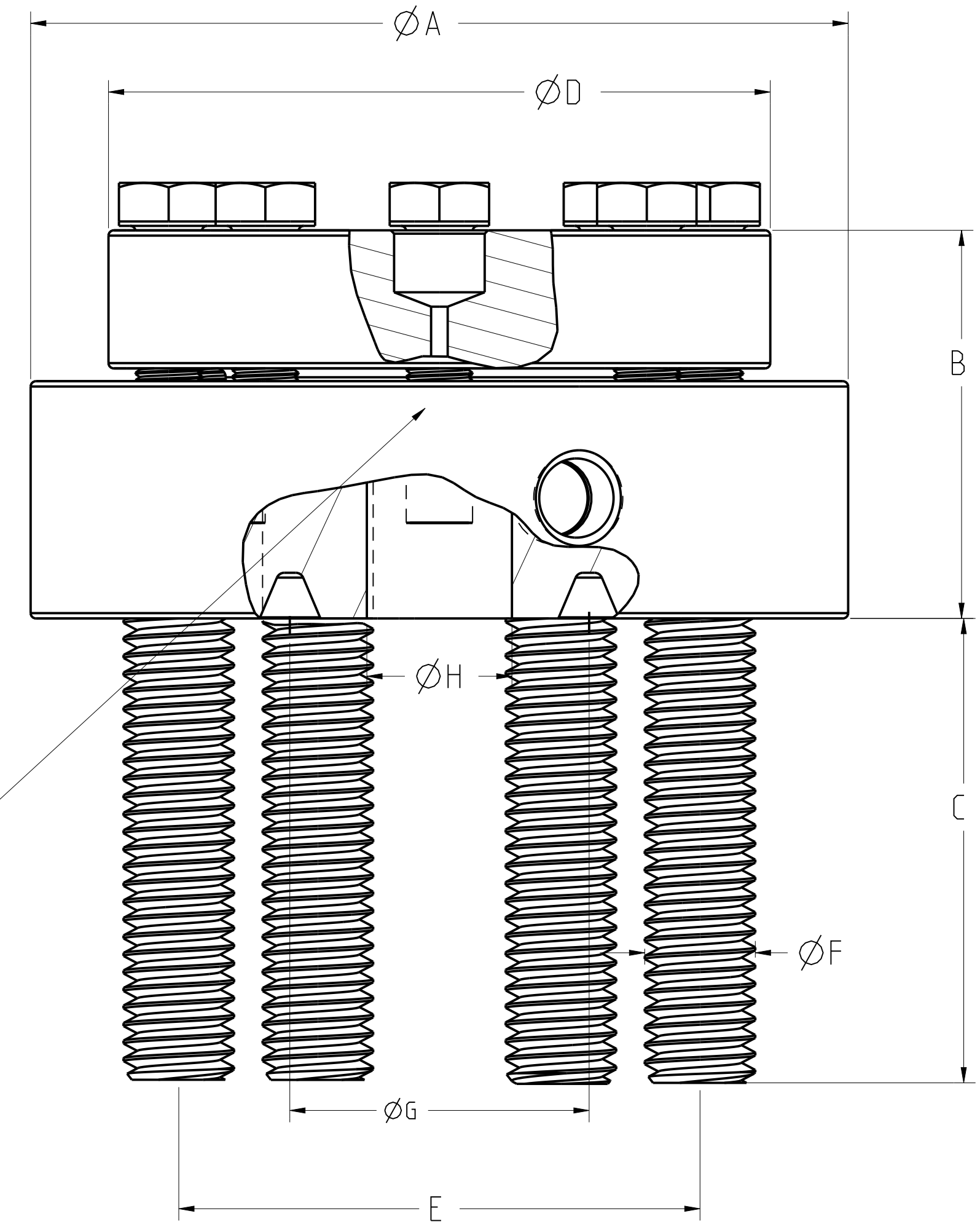
©2015 ROSEMOUNT, INC.
ROSEMOUNT INC. ACCEPTS
RESPONSIBILITY FOR THE
PRODUCT SHOWN IN THIS
DRAWING IN ACCORDANCE WITH
ROSEMOUNT ENGINEERING
SPECIFICATIONS.
UNIT NOTES IN INCHES (mm).
REFERENCE ROSEMOUNT
PRODUCT SPECIFICATIONS FOR
PRODUCT SPECIFICATIONS.
CLICK HERE

		3RD ANGLE		SIZE	SCALE
		D		D	NTS
TITLE ROSEMOUNT 1199 SEALS TYPE I DRAWING					
DR. J. ARMSTRONG	3/7/17	DRAWING NO.		01199-9500	
APP'D L.BRYANT	3/7/17				
CAD MAINTAINED (PRO/E)				SHEET 19 OF 41	

REMOTE FLANGED SEAL-RING
TYPE JOINT GASKET SURFACE
(RCW)
STUD BOLT DESIGN



DIAPHRAGM



	PIPE SIZE	ANSI CLASS	LOWER DIAMETER Ø"A"	OVERALL HEIGHT "B"	OVERALL HEIGHT "B"	PROTRUDING STUD LENGTH "C"	UPPER DIAMETER Ø"D"	STUD BOLT CIRCLE Ø"E"	STUD BOLT DIAMETER Ø"F"	RTJ GROOVE PITCH DIAMETER Ø"G"	PROCESS HOLE DIAMETER Ø"H"	WEIGHT LBS (KG)
				W/NO OR 1/4-IN NPT FLUSH CONN.	W/ 1/2-IN NPT FLUSH CONN.							
ASME B16.5	1/2"	300/600#	3.74 (95.0)	2.18 (55.4)	2.40 (61)	2.00 (50.8)	3.74 (95.0)	2.62 (66.5)	0.50 (12.7)	1.34 (34.0)	0.62 (15.7)	6.55 (2.97)
		900/1500#	4.74 (120.4)	2.74 (69.6)	3.00 (76.2)	3.25 (82.6)	4.00 (101.6)	3.25 (82.6)	0.75 (19.1)	1.56 (39.6)	0.62 (15.7)	12.51 (5.68)
		2500#	5.25 (133.4)	4.49 (114.0)	4.49 (114.0)	3.63 (92.2)	4.98 (126.5)	3.50 (88.9)	0.75 (19.1)	1.67 (42.4)	0.62 (15.7)	26.99 (12.25)
	3/4"	300/600#	4.62 (117.3)	2.21 (56.1)	2.43 (61.7)	2.37 (60.2)	3.74 (95.0)	3.25 (82.6)	0.63 (16.0)	1.69 (42.9)	0.82 (20.8)	8.96 (4.07)
		900/1500#	5.12 (130.0)	2.74 (69.6)	2.95 (74.9)	3.25 (82.6)	4.00 (101.6)	3.50 (88.9)	0.75 (19.1)	1.75 (44.5)	0.82 (20.8)	13.63 (6.19)
		2500#	5.74 (145.8)	4.49 (114.0)	4.49 (114.0)	3.63 (92.2)	4.98 (126.5)	3.75 (95.3)	0.75 (19.1)	2.00 (50.8)	0.82 (20.8)	29.49 (13.39)
	1"	150#	4.24 (107.7)	2.13 (54.1)	2.43 (61.7)	2.00 (50.8)	3.74 (95.0)	3.12 (79.2)	0.50 (12.7)	1.88 (47.8)	1.05 (26.7)	7.30 (3.31)
		300/600#	4.88 (124.0)	2.21 (56.1)	2.43 (61.7)	2.37 (60.2)	3.74 (95.0)	3.50 (88.9)	0.63 (16.0)	2.00 (50.8)	1.05 (26.7)	9.58 (4.35)
		900/1500#	5.88 (149.4)	2.74 (69.6)	2.97 (75.4)	3.62 (91.9)	4.00 (101.6)	4.00 (101.6)	0.88 (22.4)	2.00 (50.8)	1.05 (26.7)	17.05 (7.74)
		2500#	6.25 (158.8)	4.49 (114.0)	4.49 (114.0)	4.06 (103.1)	4.98 (126.5)	4.25 (108.0)	0.88 (22.4)	2.38 (60.5)	1.05 (26.7)	32.85 (14.91)
	1-1/2"	150#	4.99 (126.7)	2.43 (61.7)	2.43 (61.7)	2.00 (50.8)	3.74 (95.0)	3.88 (98.6)	0.50 (12.7)	2.56 (65.0)	1.61 (40.9)	10.43 (4.73)
		300/600#	6.12 (155.4)	2.43 (61.7)	2.43 (61.7)	3.25 (82.6)	3.74 (95.0)	4.50 (114.3)	0.75 (19.1)	2.69 (68.3)	1.61 (40.9)	15.67 (7.11)
		900/1500#	6.99 (177.5)	3.05 (77.5)	3.05 (77.5)	3.50 (88.9)	4.00 (101.6)	4.88 (124.0)	1.00 (25.4)	2.69 (68.3)	1.61 (40.9)	24.75 (11.24)

DIMENSIONS IN INCHES (MILLIMETERS)

©2015 ROSEMOUNT, INC.
ROSEMOUNT INCORPORATES
THIS INFORMATION IN
THE ACCORDANCE WITH
ROSEMOUNT ENGINEERING
SPECIFICATIONS.
UNIT NOTES IN INCHES (mm).

REFERENCE ROSEMOUNT
PRODUCT SHEETS FOR
PRODUCT SPECIFICATIONS.
CLICK HERE

EMERSON

3RD ANGLE

SIZE D SCALE NTS

TITLE ROSEMOUNT 1199 SEALS
TYPE I DRAWING

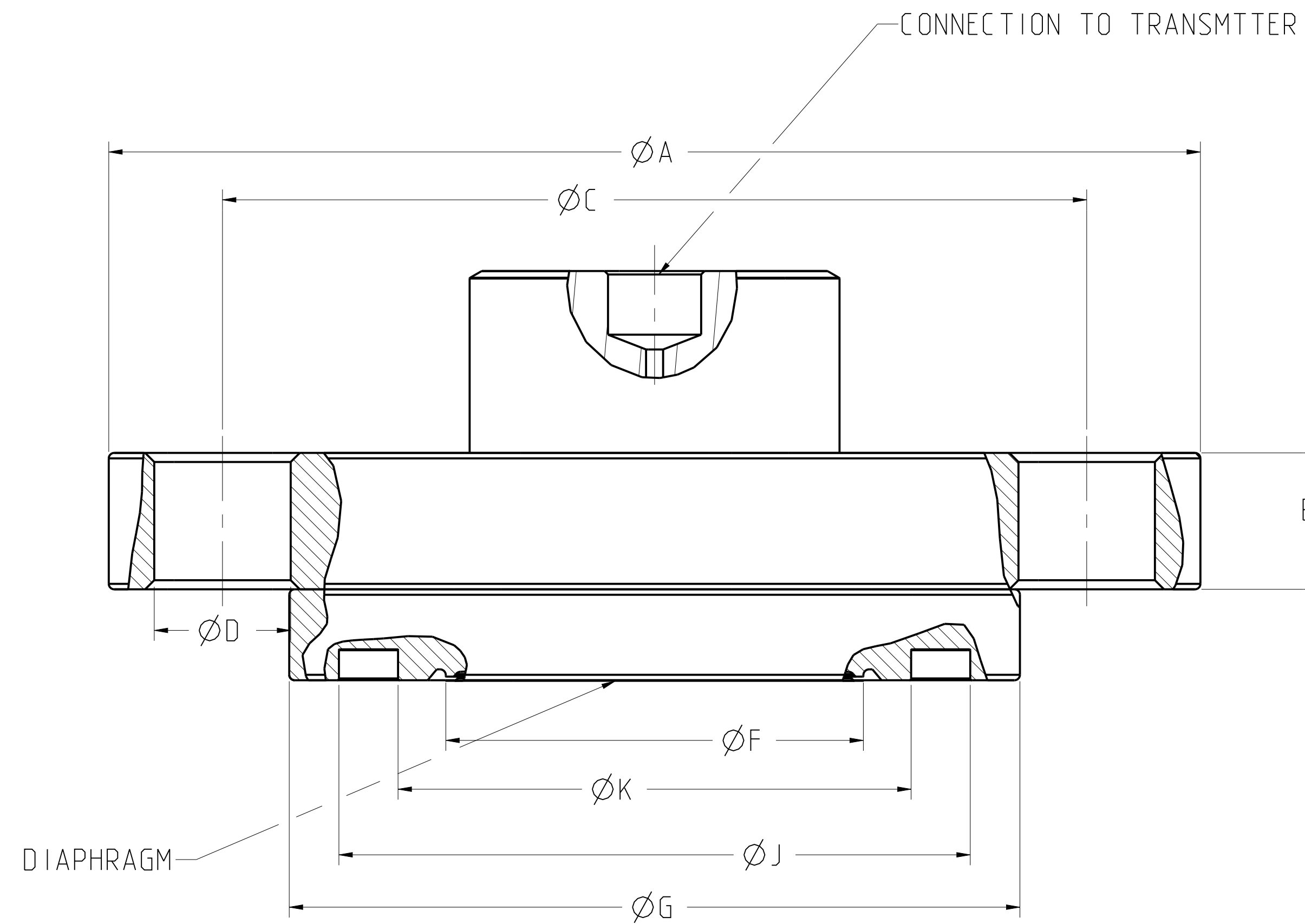
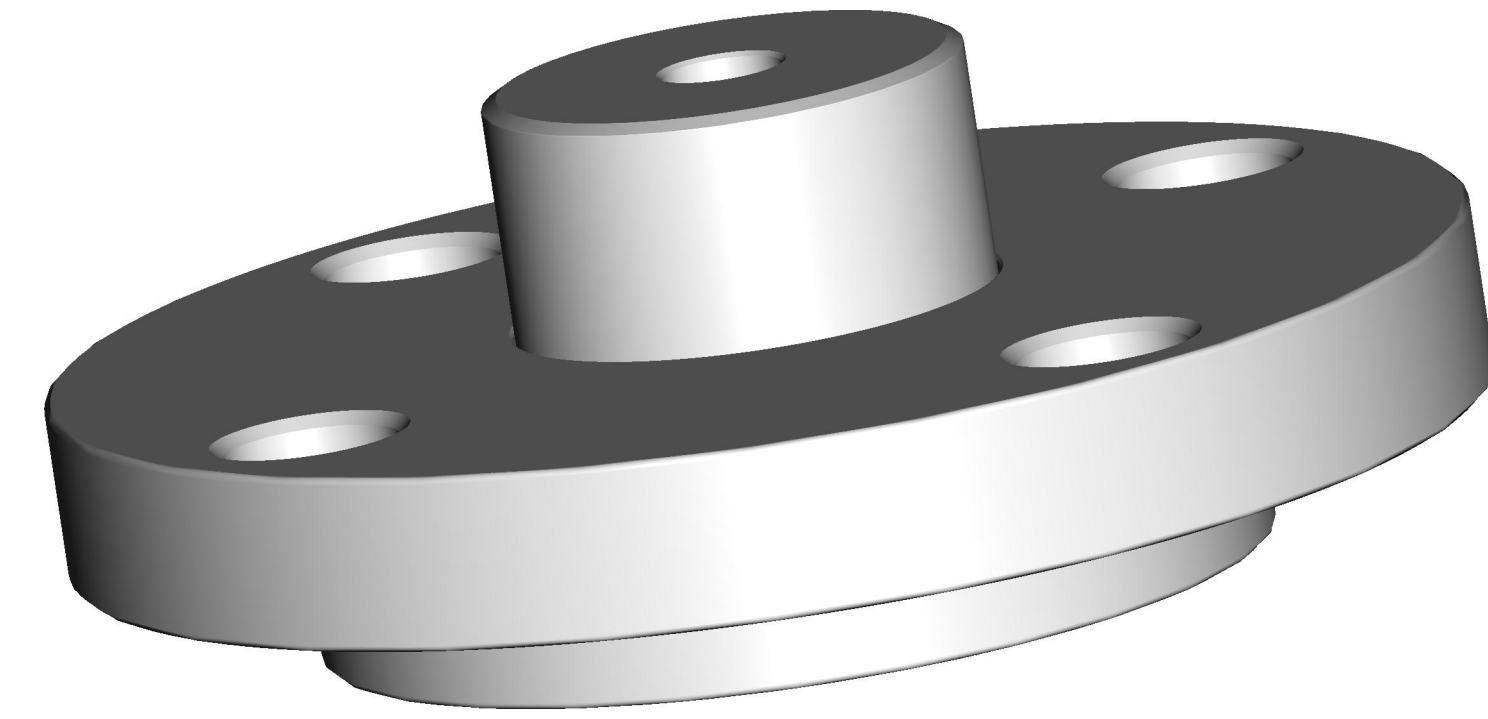
DR. J. ARMSTRONG 3/7/17 DRAWING NO. 01199-9500
APP'D L.BRYANT 3/7/17

CAD MAINTAINED. (PRO/EI) SHEET 200F 41

FLUSHED FLANGED GROOVE SEAL EN
1092-1 TYPE D (FUW)

	PIPE SIZE	CLASS	FLANGE DIAMETER "A"	FLANGE THICKNESS "B"	BOLT CIRCLE "C"	# OF BOLTS	BOLT HOLE DIAMETER "D"
EN1092-1							
	DN50	PN40	6.50 (165)	0.79 (20)	4.92 (125)	4	0.71 (18)
	DN80	PN40	7.87 (200)	0.94 (24)	6.30 (160)	8	0.71 (18)

STANDARD DIAPHRAGM DIAMETER "F"	RAISED FACE DIAMETER "G"	GROOVE O.D. "J"	GROOVE I.D. "K"	GROOVE DEP "L"
2.30 (58)	4.00 (102)	3.46 (88)	2.83 (72)	0.16 (4)
3.50 (89)	5.43 (138)	4.76 (121)	4.13 (105)	0.16 (4)



DIMENSIONS IN INCHES (MILLIMETERS)

©2015 ROSEMOUNT, INC.
ROSEMOUNT INCORPORATES
THIS INFORMATION IN
ACCORDANCE WITH
ROSEMOUNT ENGINEERING
SPECIFICATIONS.
UNIT NOTES IN INCHES (mm).

REFERENCE ROSEMOUNT
PRODUCT SHEETS FOR
PRODUCT SPECIFICATIONS.
CLICK HERE

EMERSON

3RD ANGLE

SIZE D SCALE NTS

TITLE ROSEMOUNT 1199 SEALS
TYPE I DRAWING

DR. J. ARMSTRONG 3/7/17 DRAWING NO. 01199-9500

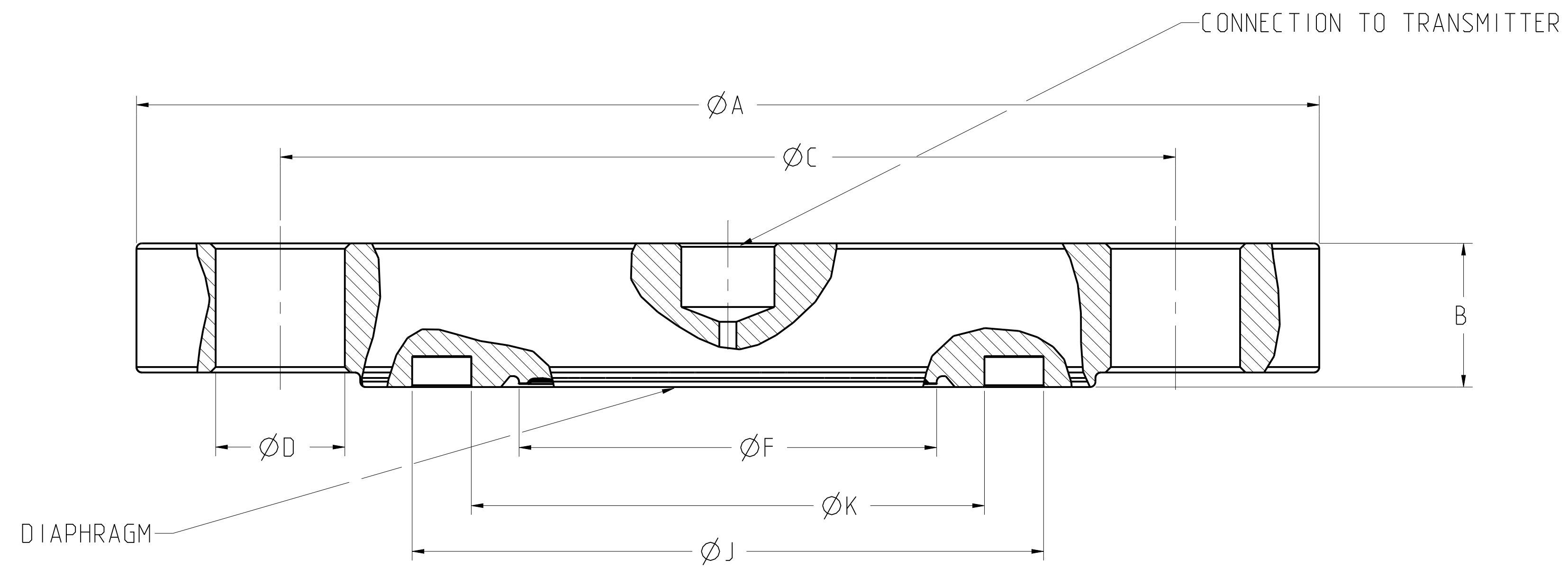
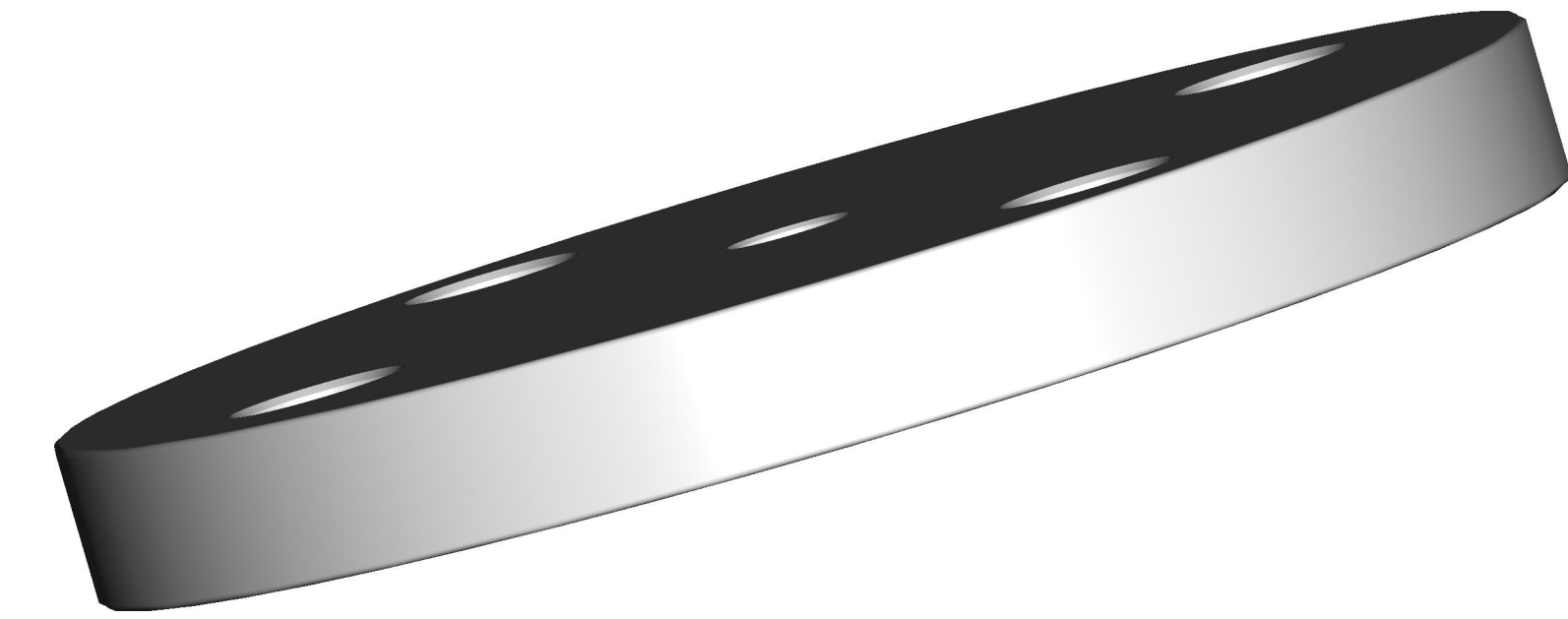
APP'D L.BRYANT 3/7/17

CAD MAINTAINED (PRO/EI) SHEET 21 OF 41

FLUSHED FLANGED GROOVE SEAL-EN
1092-1 TYPE D (FUW)
ONE PIECE DESIGN

EN1092-1	PIPE SIZE	CLASS	FLANGE DIAMETER "A"	FLANGE THICKNESS "B"	BOLT CIRCLE "C"	# OF BOLTS
	DN50	PN40	6.50 (165)	0.79 (20)	4.92 (125)	4
	DN80	PN40	7.87 (200)	0.94 (24)	6.30 (160)	8

BOLT HOLE DIAMETER "D"	STANDARD DIAPHRAGM DIAMETER "F"	GROOVE O.D. "J"	GROOVE I.D. "K"	GROOVE DEPTH "L"
0.71 (18)	2.30 (58)	3.46 (88)	2.83 (72)	0.16 (4.5)
0.71 (18)	3.50 (89)	4.76 (121)	4.13 (105)	0.16 (4.5)



DIMENSIONS IN INCHES (MILLIMETERS)

©2015 ROSEMOUNT INC. ROSEMOUNT INC. ACCEPTS RESPONSIBILITY FOR THE ACCURACY OF THIS DRAWING IN ACCORDANCE WITH ROSEMOUNT ENGINEERING SPECIFICATIONS. UNIT NOTES IN INCHES (mm).

REFERENCE ROSEMOUNT PRODUCT SHEETS FOR PRODUCT SPECIFICATIONS. CLICK HERE

EMERSON

3RD ANGLE

SIZE D SCALE NTS

TITLE ROSEMOUNT 1199 SEALS TYPE I DRAWING

DR. J. ARMSTRONG 3/7/17 DRAWING NO. 01199-9500

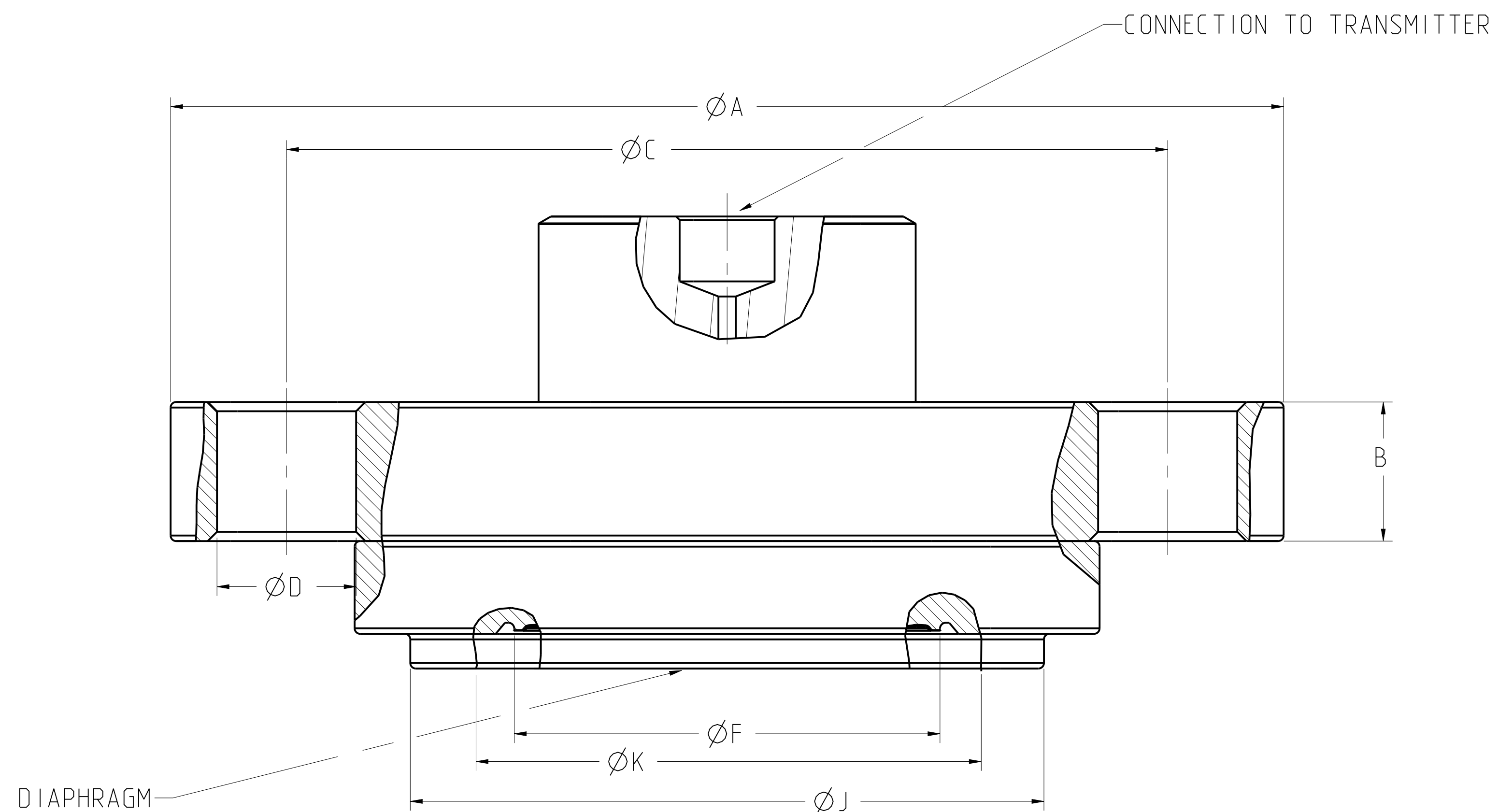
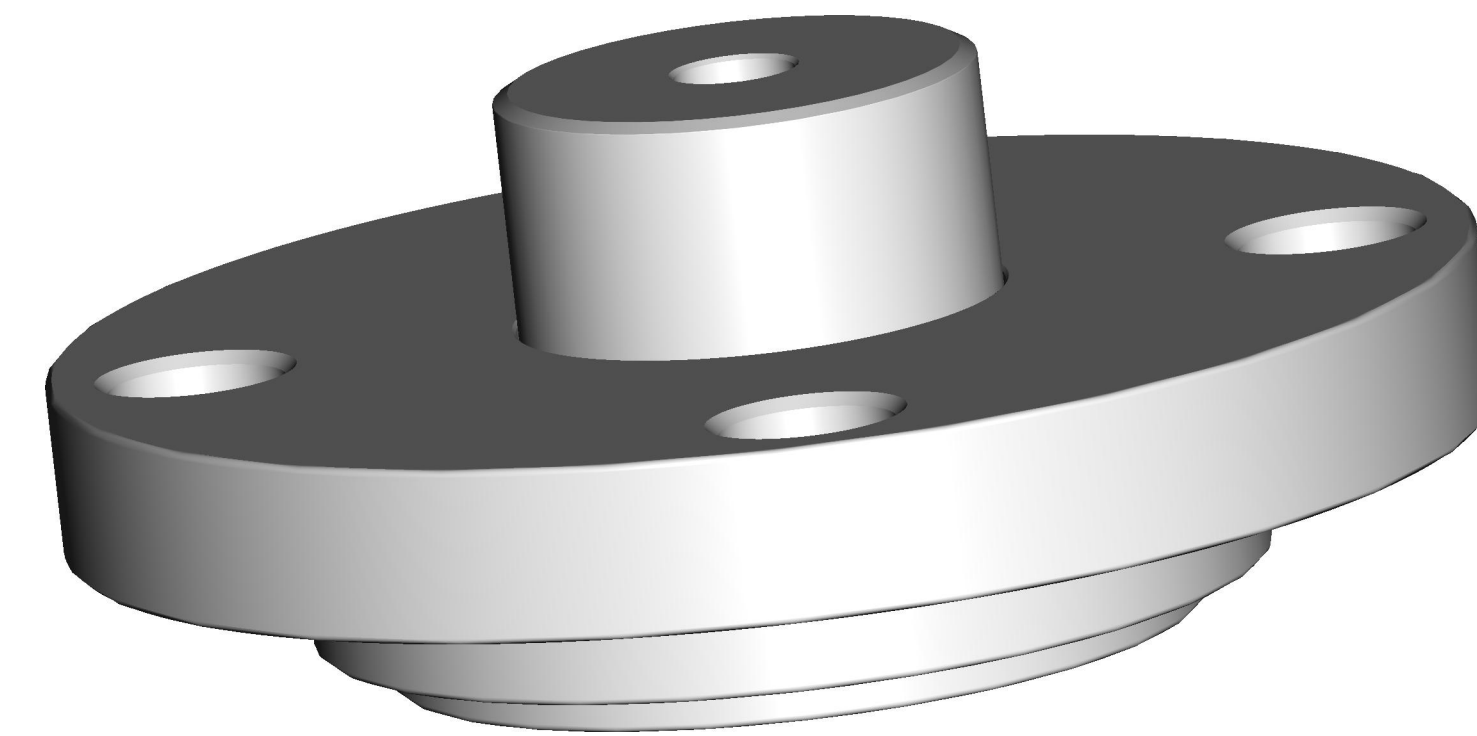
APP'D L.BRYANT 3/7/17

CAD MAINTAINED (PRO/EI) SHEET 22 OF 41

FLUSHED FLANGED TONGUE SEAL-EN
1092-1 TYPE C (FVW)

	PIPE SIZE	CLASS	FLANGE DIAMETER "A"	FLANGE THICKNESS "B"	BOLT CIRCLE "C"	# OF BOLTS	BOLT HOLE DIAMETER "D"
EN1092-1							
	DN50	PN40	6.50 (165)	0.79 (20)	4.92 (125)	4	0.71 (18)
	DN80	PN40	7.87 (200)	0.94 (24)	6.30 (160)	8	0.71 (18)

STANDARD DIAPHRAGM DIAMETER "F"	RAISED FACE DIAMETER "G"	TONGUE O.D. "J"	TONGUE I.D. "K"	TONGUE HIEGHT "L"
2.30 (58)	4.00 (102)	3.43 (87)	2.87 (73)	0.18 (4.5)
3.50 (89)	5.43 (138)	4.72 (120)	4.13 (106)	0.18 (4.5)



DIMENSIONS IN INCHES (MILLIMETERS)

©2015 ROSEMOUNT, INC.
ROSEMOUNT INCORPORATES
THIS INFORMATION IN
THIS DOCUMENT WITH
ROSEMOUNT ENGINEERING
SPECIFICATIONS.
UNIT NOTES IN INCHES (mm).

REFERENCE ROSEMOUNT
PRODUCT SHEETS FOR
PRODUCT SPECIFICATIONS.
CLICK HERE

EMERSON

3RD ANGLE

SIZE D SCALE NTS

TITLE ROSEMOUNT 1199 SEALS
TYPE I DRAWING

DR. J. ARMSTRONG 3/7/17 DRAWING NO. 01199-9500

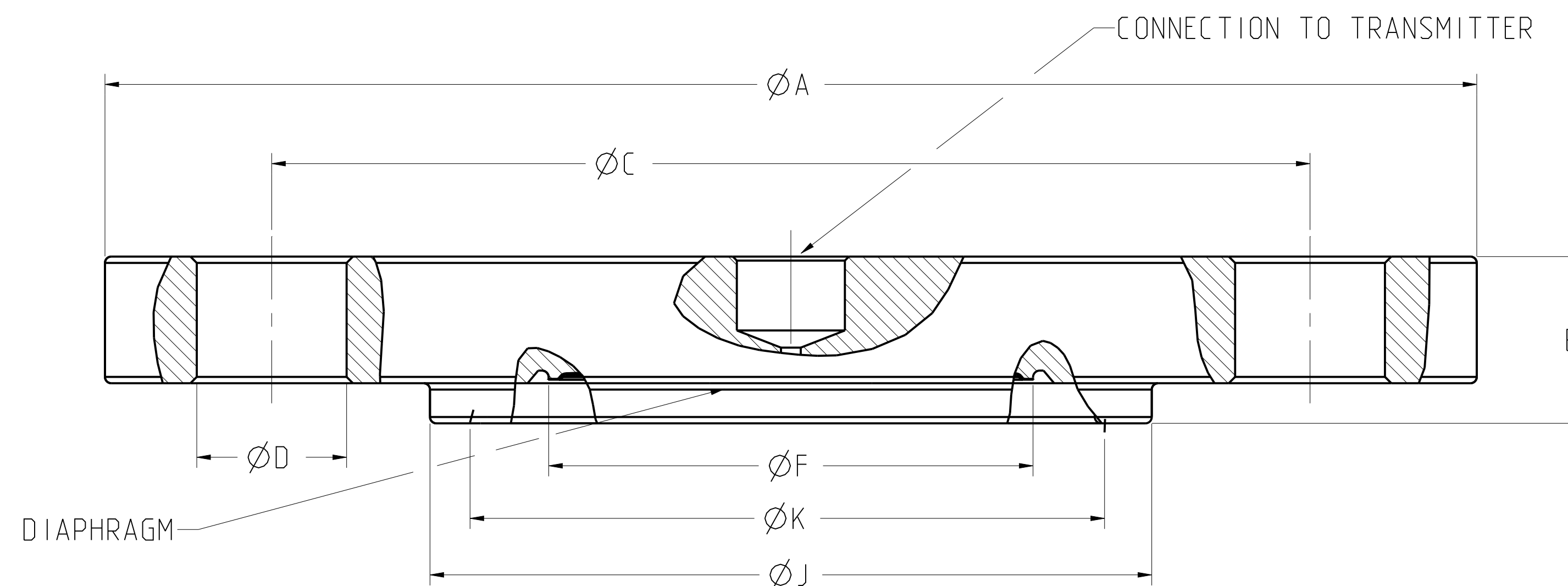
APP'D L.BRYANT 3/7/17

CAD MAINTAINED (PRO/E) SHEET 23 OF 41

FLUSHED FLANGED TONGUE SEAL-EN
 1092-1 TYPE C (FVW)
 ONE PIECE DESIGN

	PIPE SIZE	CLASS	FLANGE DIAMETER "A"	FLANGE THICKNESS "B"	BOLT CIRCLE "C"	# OF BOLTS	BOLT HOLE DIAMETER "D"
EN1092-1	DN50	PN40	6.50 (165)	0.79 (20)	4.92 (125)	4	0.71 (18)
	DN80	PN40	7.87 (200)	0.94 (24)	6.30 (160)	8	0.71 (18)

STANDARD DIAPHRAGM DIAMETER "F"	TONGUE O.D. "J"	TONGUE I.D. "K"	TONGUE HIEGHT "L"
2.30 (58)	3.43 (87)	2.87 (73)	0.18 (4.5)
3.50 (89)	4.72 (120)	4.17 (106)	0.18 (4.5)



DIMENSIONS IN INCHES (MILLIMETERS)

©2015 ROSEMOUNT INC. ROSEMOUNT INC. ACCEPTS THIS DRAWING AS IS IN ACCORDANCE WITH ROSEMOUNT ENGINEERING SPECIFICATIONS. UNIT NOTES IN INCHES (mm).

REFERENCE ROSEMOUNT PRODUCT SHEETS FOR PRODUCT SPECIFICATIONS. CLICK HERE

CAD MAINTAINED. (PRO/E)

3RD ANGLE

EMERSON

TITLE ROSEMOUNT 1199 SEALS TYPE I DRAWING

DR. J. ARMSTRONG 3/7/17 DRAWING NO. 01199-9500

APP'D L.BRYANT 3/7/17

SIZE D SCALE NTS

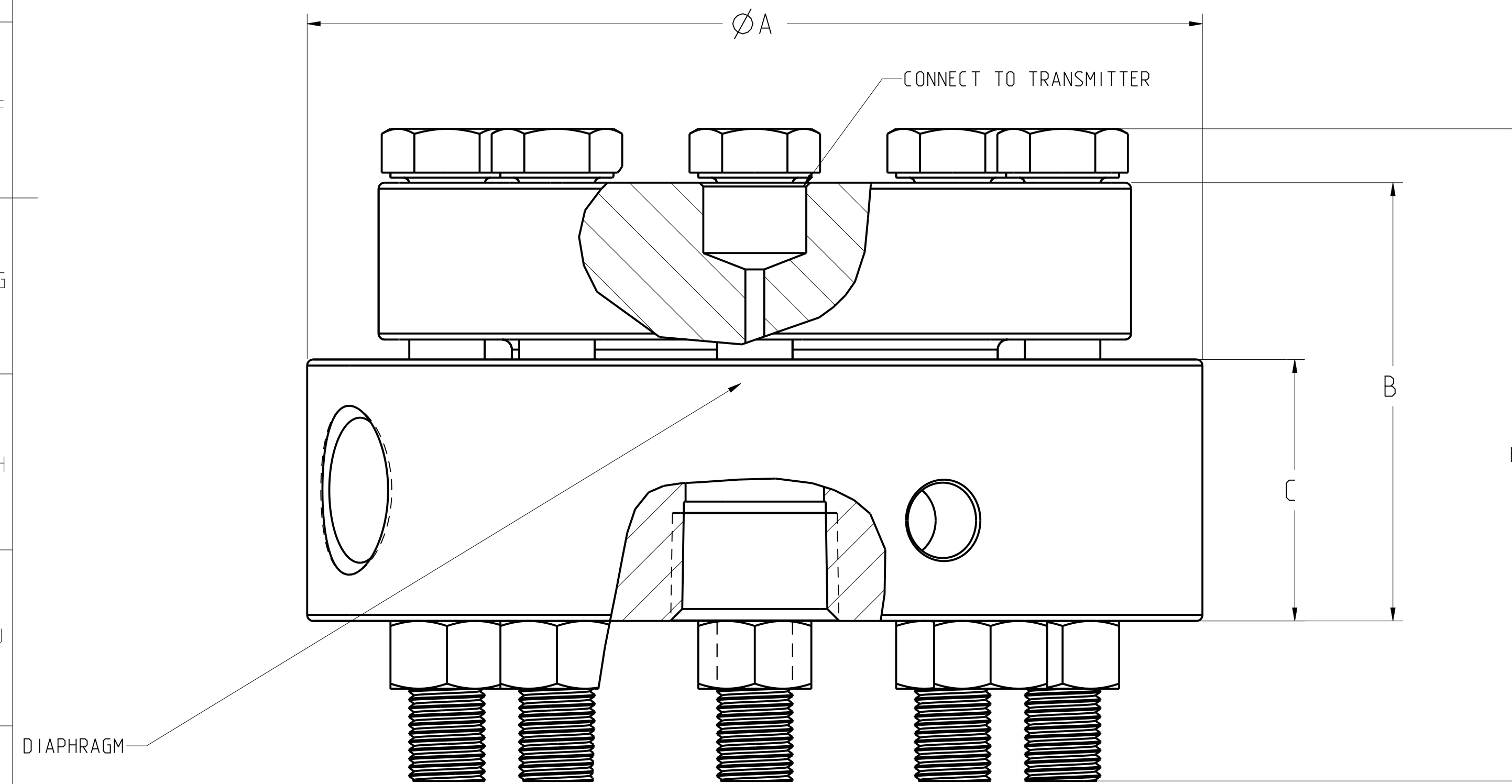
SHEET 24 OF 41

**REMOTE THREADED SEAL
(RTW)**

DESIGN NAME	OVERALL DIAMETER "A"		OVERALL HEIGHT "B"		LOWER HOUSING THK "C"	
	W/NO OR 1/4-IN NPT FLUSH CONN.	W/ 1/2-IN NPT FLUSH CONN.	W/NO OR 1/4-IN NPT FLUSH CONN.	W/ 1/2-IN NPT FLUSH CONN.	W/NO OR 1/4-IN NPT FLUSH CONN.	W/ 1/2-IN NPT FLUSH CONN.
2500 PSI DESIGN	3.74 (95.0)	4.45 (113.0)	1.92 (48.8)	2.17 (55.1)	1.05 (26.7)	1.30 (33.0)
5000 PSI DESIGN	4.00 (101.6)	4.00 (101.6)	2.49 (63.2)	2.77 (70.4)	1.20 (30.5)	1.48 (37.6)
10000 PSI DESIGN	5.23 (132.8)	5.98 (151.9)	4.49 (114.0)	4.49 (114.0)	2.20 (55.9)	2.20 (55.9)
(4.1-IN) 1500 PSI DESIGN	5.75 (146.1)	6.30 (160)	1.96 (49.9)	2.21 (56.2)	1.05 (26.7)	1.30 (33.0)

DESIGN NAME (cont.)	OVERALL BOLT LENGTH "F"// SIZE		WEIGHT LBS (KG)	
	W/NO OR 1/4-IN NPT FLUSH CONN.	W/ 1/2-IN NPT FLUSH CONN.	W/NO OR 1/4-IN NPT FLUSH CONN.	W/ 1/2-IN NPT FLUSH CONN.
2500 PSI DESIGN	2.99 (76.0)// 3/8"x 2-3/4"	3.24 (82.3)// 3/8"x 3"	5.89 (2.7)	8.24 (3.7)
5000 PSI DESIGN	3.57 (90.7)// 1/2"x 3-1/4"	3.82 (97.0)// 1/2"x 3-3/4"	9.41 (4.3)	10.29 (4.7)
10000 PSI DESIGN	5.97 (151.6)// 3/4"x 5-1/2"	5.97 (151.6)// 3/4"x 5-1/2"	28.45 (12.9)	28.36 (12.9)
(4.1-IN) 1500 PSI DESIGN	2.99 (76.0)// 3/8"x 2-3/4"	3.24 (82.3)// 3/8"x 3"	12.93 (5.9)	17.29 (7.9)

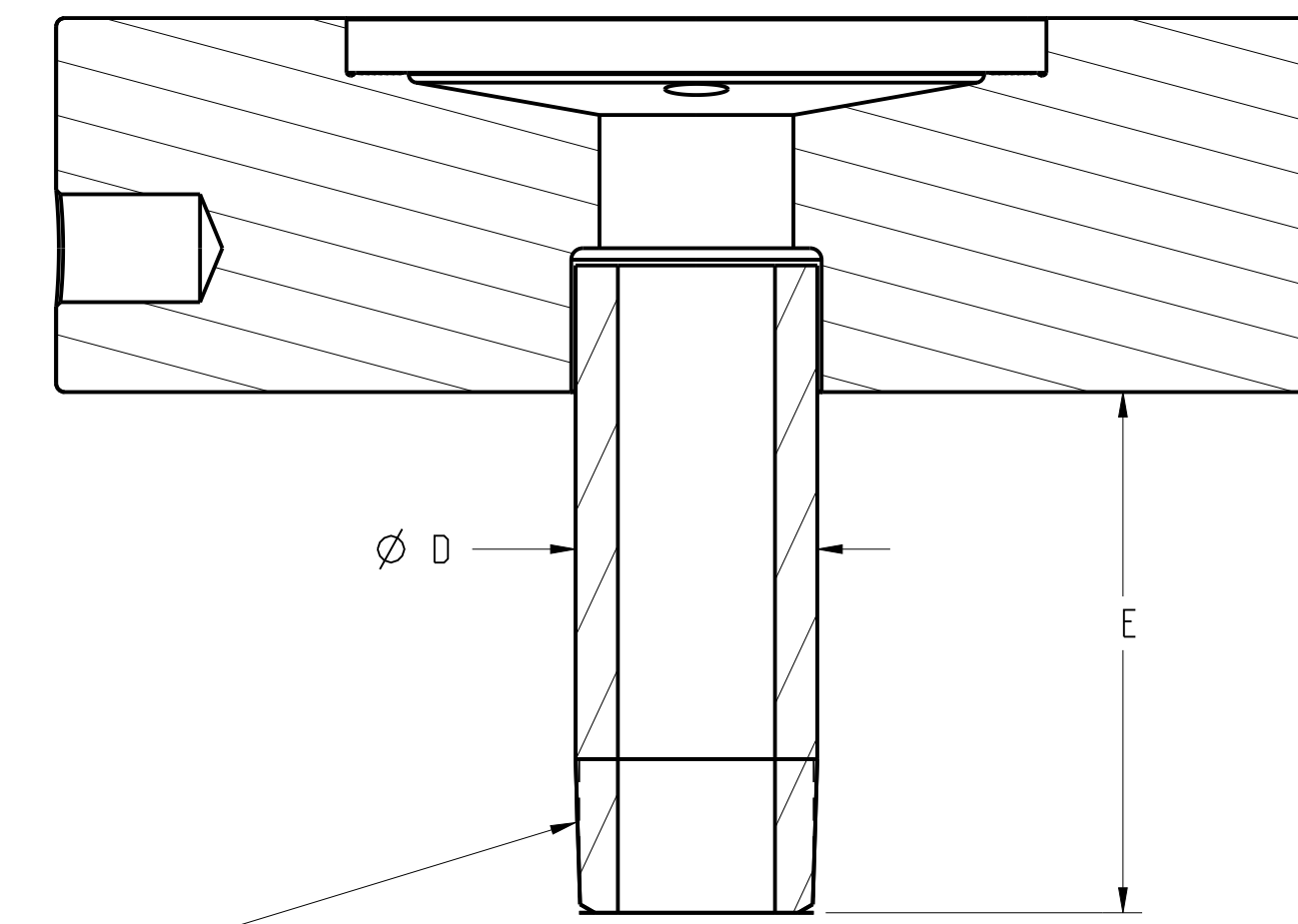
MAXIMUM WORKING PRESSURE BASED ON DESIGN STYLE AND NUT/ BOLT MATERIAL			
	ZC	S2	S4
2500 PSI DESIGN	2500 psi (172 bar)	1500 psi (103 bar)	1500 psi (103 bar)
5000 PSI DESIGN	5000 psi (345 bar)	3750 psi (258 bar)	2500 psi (172 bar)
10000 PSI DESIGN	10000 psi (690 bar)	6250 psi (431 bar)	5000 psi (345 bar)
(4.1-IN) 1500 PSI DESIGN	1500 psi (103 bar)	1200 psi (83 bar)	1200 psi (83 bar)



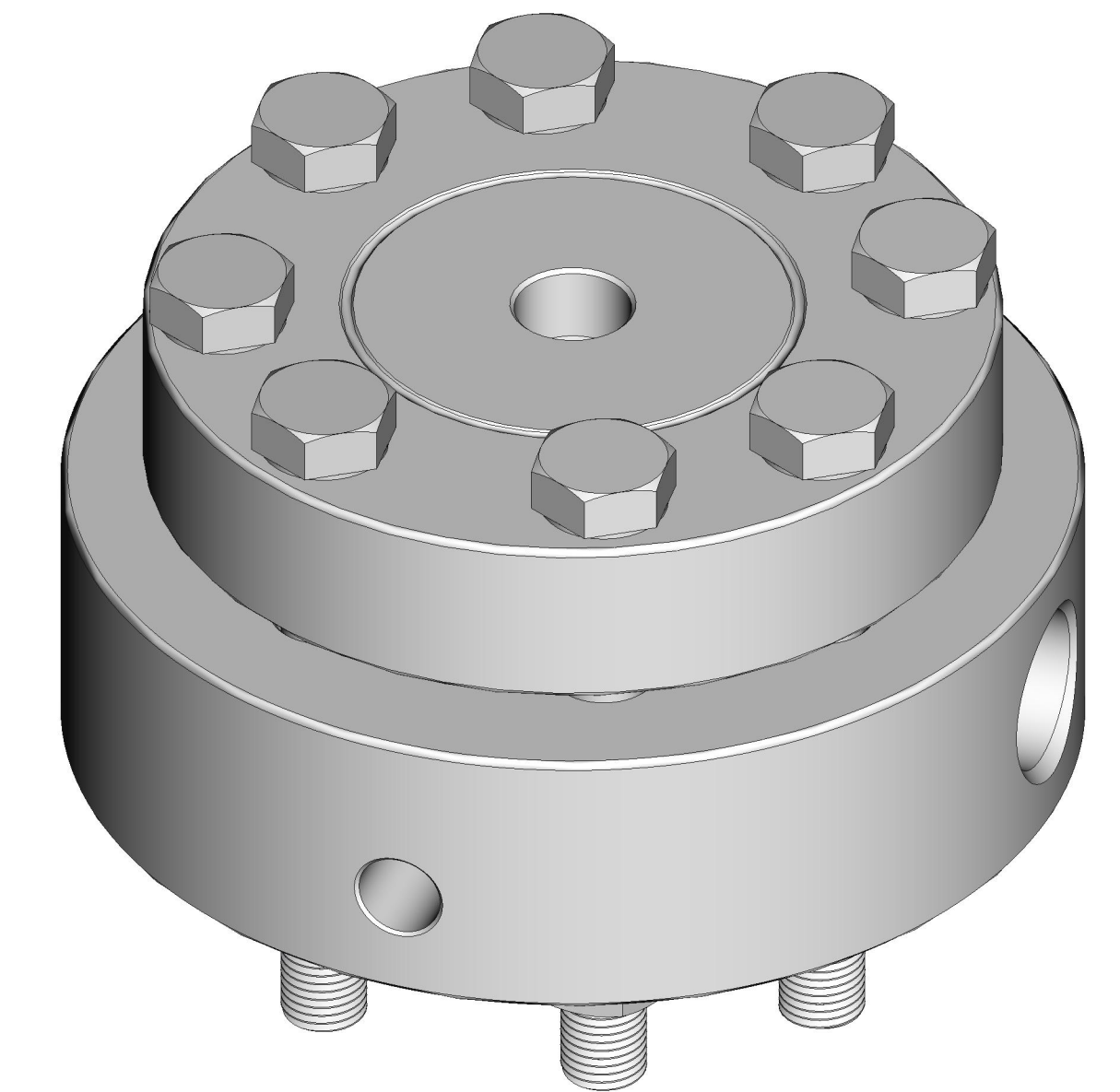
NOTE:
1. RTW DESIGN NAME DOES NOT ALWAYS CORRELATE WITH THE MAXIMUM PRESSURE OF THE ASSEMBLY

DIMENSIONS IN INCHES (MILLIMETERS)

PROCESS CONNECTION	MALE CONN. Ø "D"	MALE CONN LG "E"
1/4" NPT	0.54 (13.7)	1.31 (33.3)
3/8" NPT	0.68 (17.2)	1.31 (33.3)
1/2" NPT	0.84 (21.3)	1.81 (46.0)
3/4" NPT	1.05 (26.7)	1.81 (46.0)
1" NPT	1.32 (33.4)	2.06 (52.3)
1-1/4" NPT	1.66 (42.2)	2.56 (65.0)
1-1/2" NPT	1.90 (48.3)	2.81 (71.4)
M20X1.5	0.84 (21.3)	1.81 (46.0)



MALE PROCESS CONNECTOR



©2015 ROSEMOUNT, INC.
ROSEMOUNT INCORPORATES
THIS INFORMATION IN
THIS DRAWING IN
ACCORDANCE WITH
ROSEMOUNT ENGINEERING
SPECIFICATIONS.
UNIT NOTES IN INCHES (mm).

REFERENCE ROSEMOUNT
PRODUCT SHEETS FOR
PRODUCT SPECIFICATIONS.
CLICK HERE

3RD ANGLE

EMERSON

TITLE
**ROSEMOUNT 1199 SEALS
TYPE I DRAWING**

DR. J. ARMSTRONG 3/7/17 DRAWING NO.
APP'D L.BRYANT 3/7/17

CAD MAINTAINED. (PRO/E)

SIZE D SCALE NTS

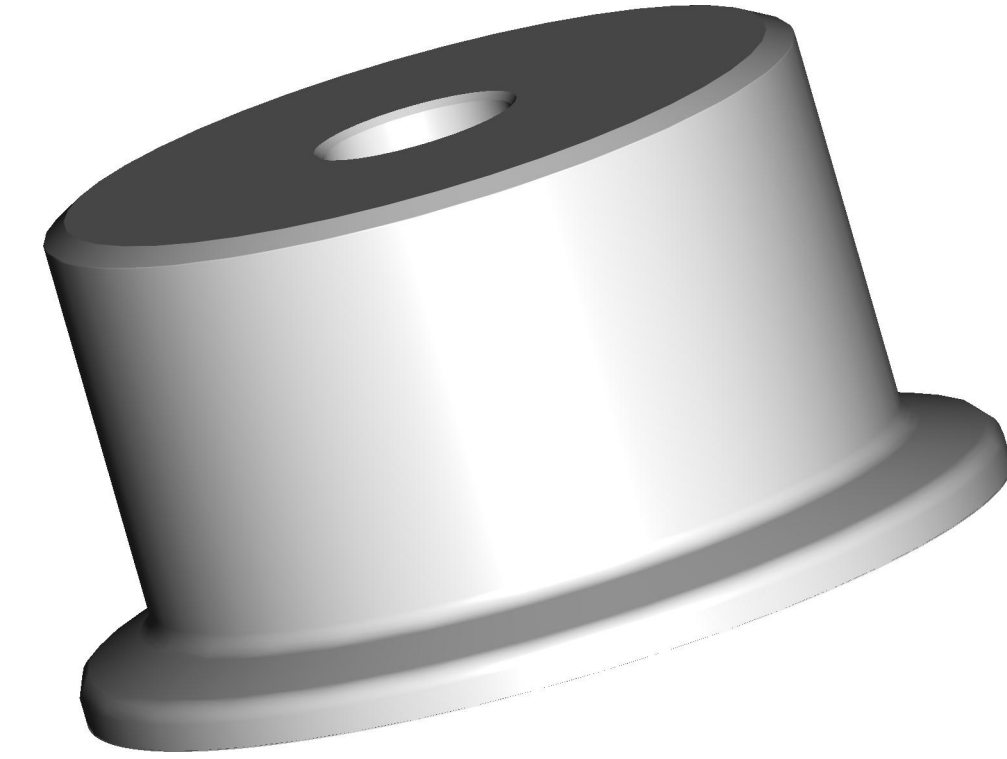
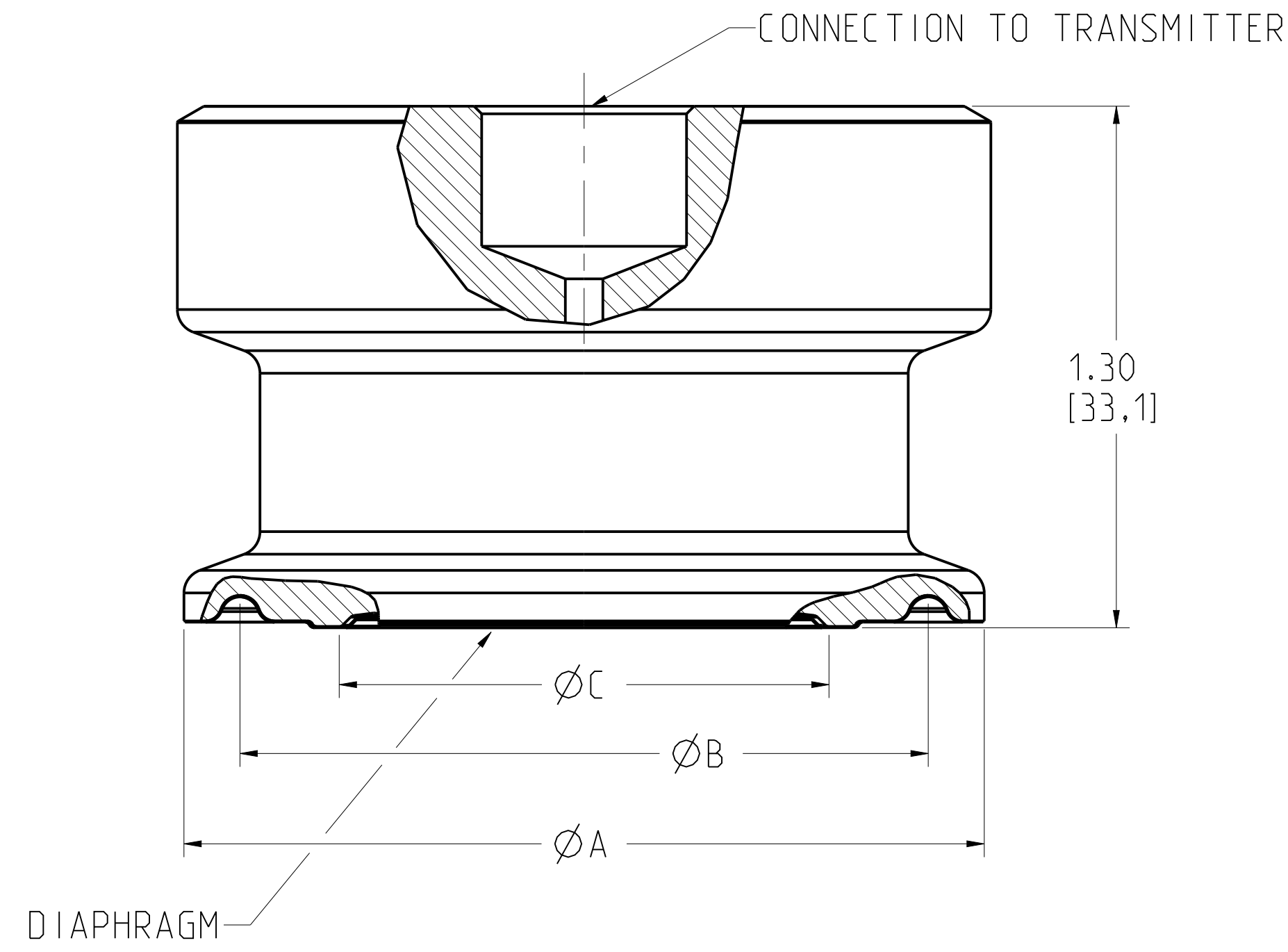
01199-9500

SHEET 25 OF 41

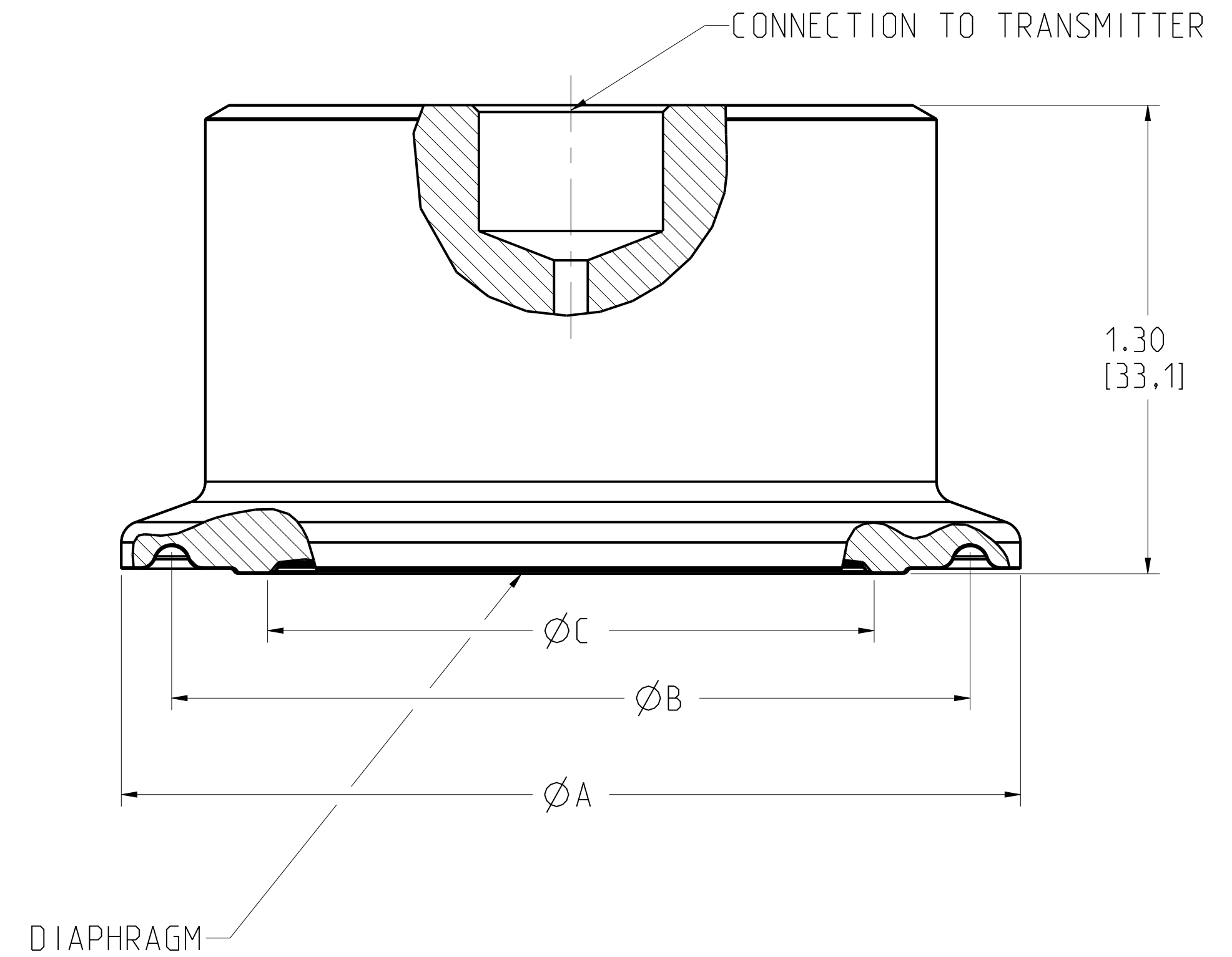
HYGIENIC TRI-CLOVER STYLE TRI-CLAMP SEALS (SCW)

PIPE SIZE	OUTTER DIAMETER "A"	O-RING GROOVE DIAMETER "B"	DIAPHRAGM DIAMETER "C"
1-1/2"	2.00 (50.8)	1.72 (43.7)	1.21 (30.7)
2"	2.50 (63.5)	2.22 (56.4)	1.68 (42.7)
2-1/2"	3.05 (77.5)	2.78 (70.6)	2.07 (52.6)
3"	3.58 (90.9)	3.28 (83.3)	2.58 (65.5)
4"	4.68 (118.9)	4.35 (110.5)	3.66 (93.0)

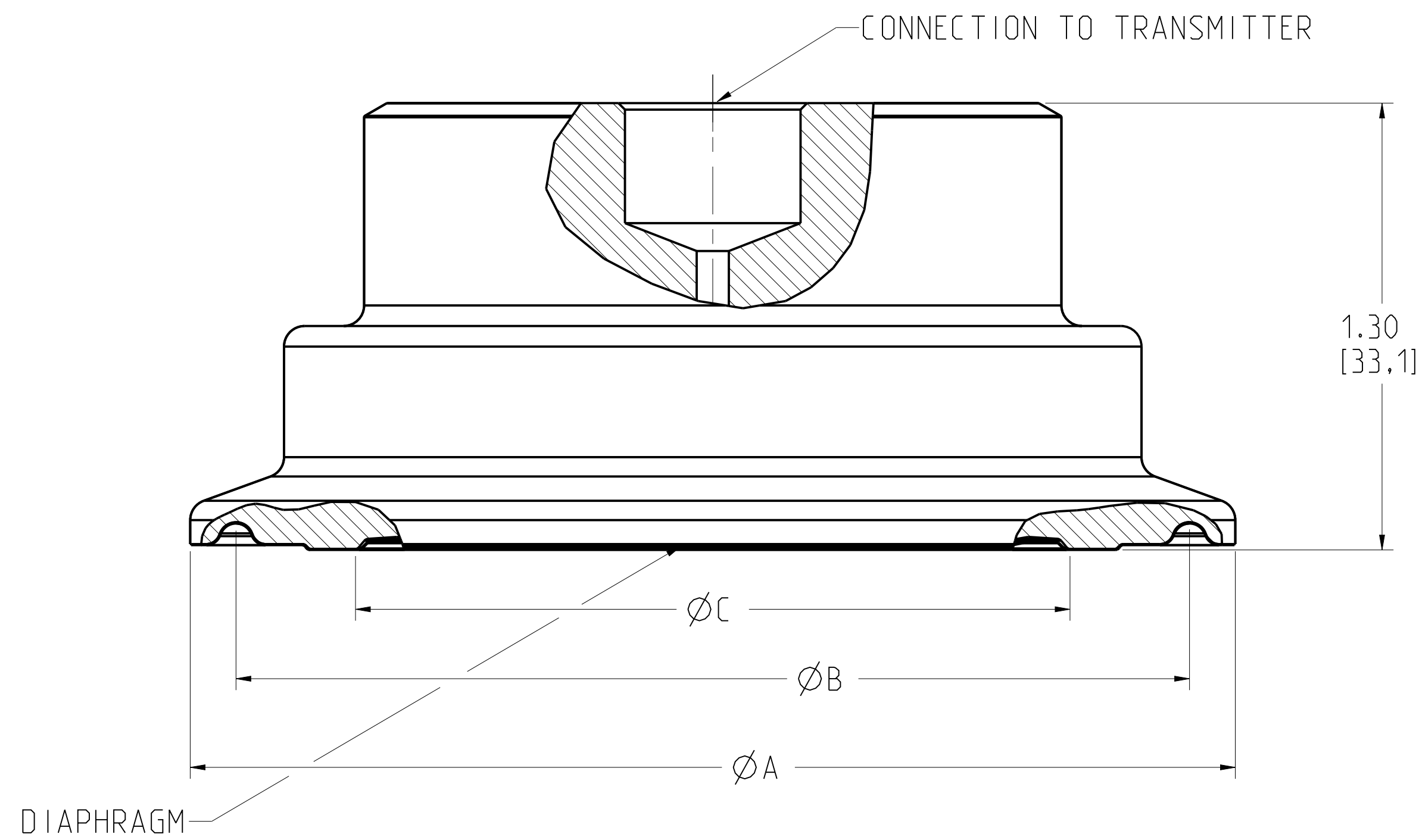
1-1/2 INCH SIZE



2 INCH SIZE



2-1/2, 3 AND 4 INCH SIZE

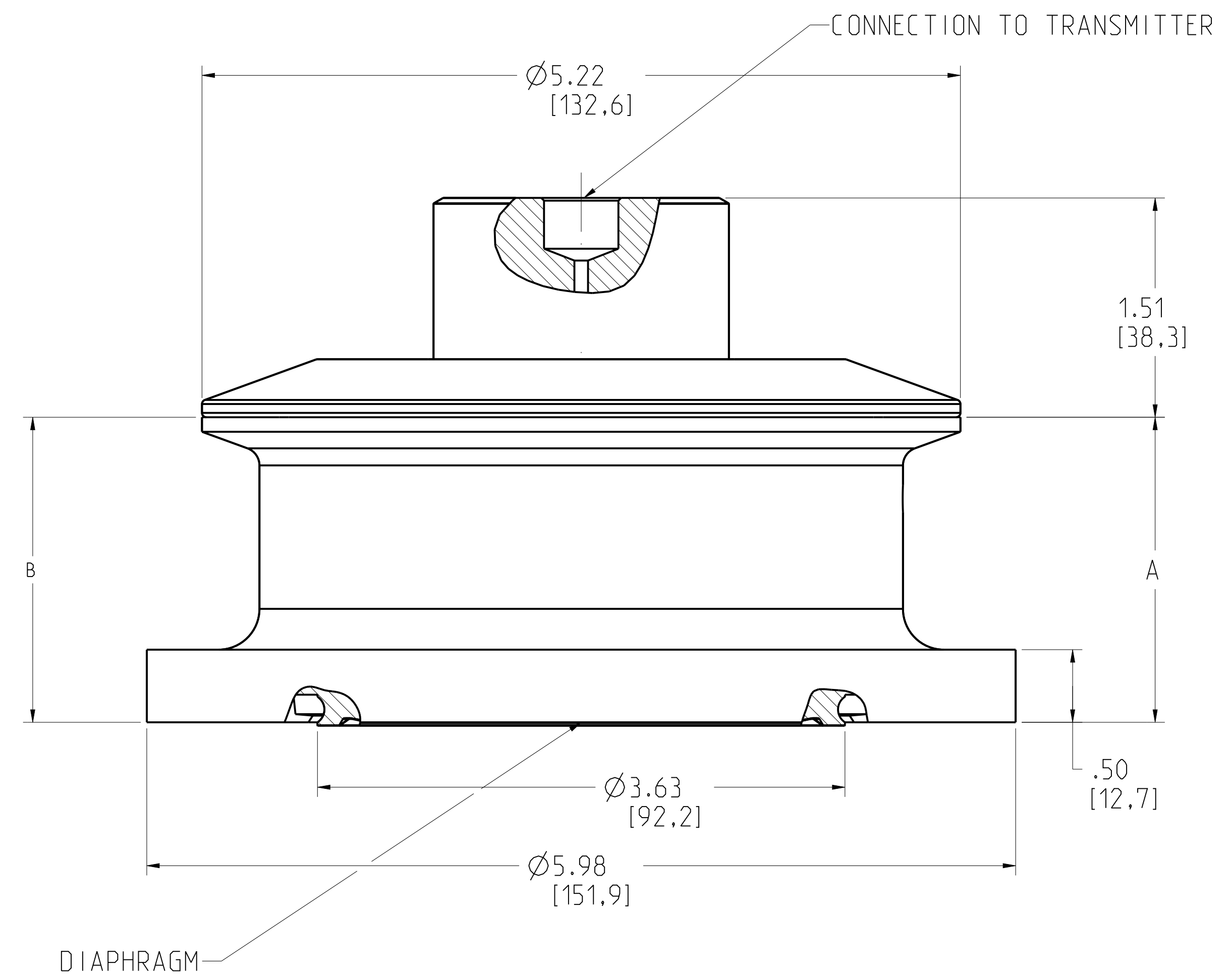
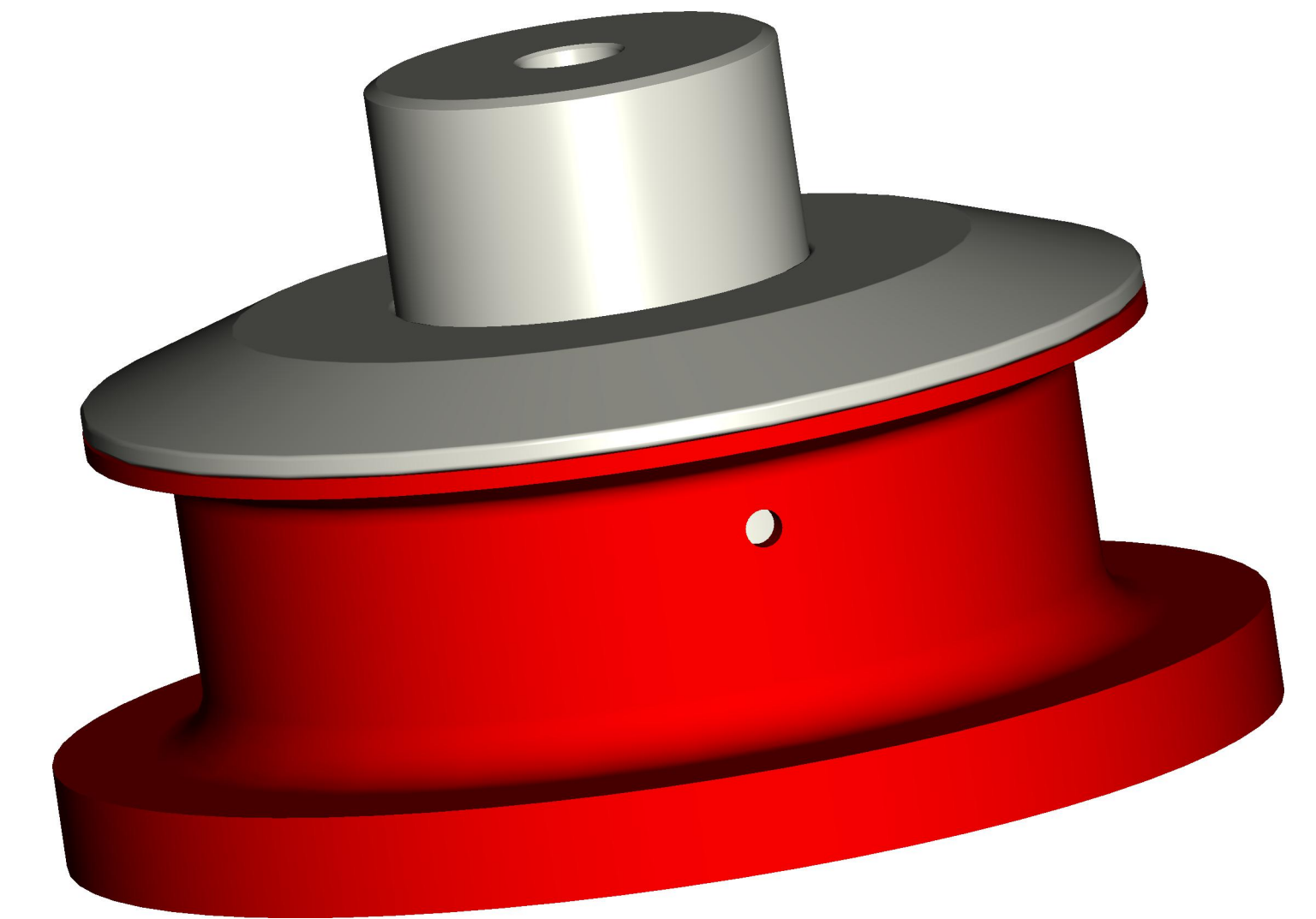
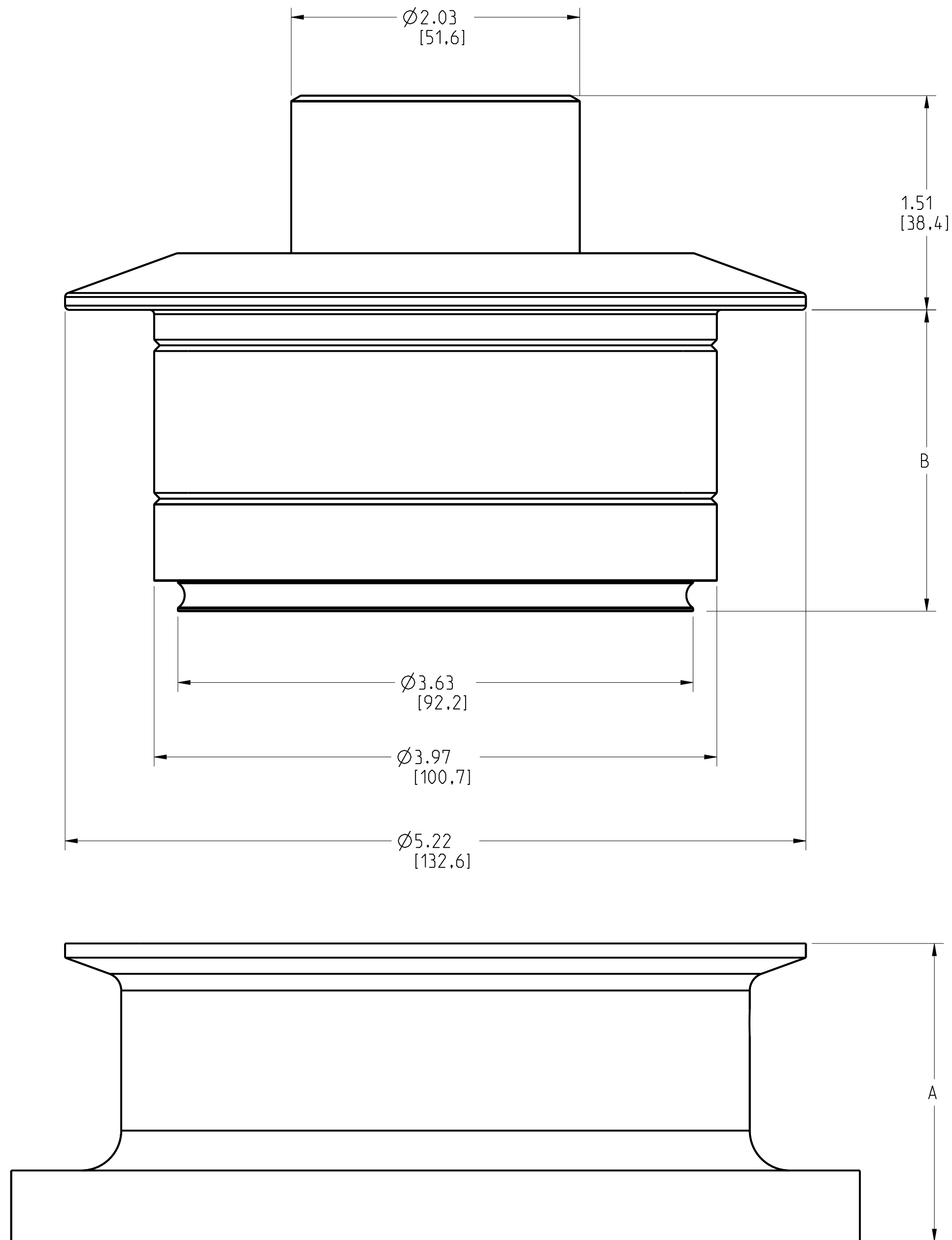


DIMENSIONS IN INCHES (MILLIMETERS)

<small>©2015 ROSEMOUNT, INC. ROSEMOUNT INC. PERMITS THIS DOCUMENT TO BE REPRODUCED IN WHOLE OR IN PART, PROVIDED IT ACCORDS WITH THE ORIGINAL ROSEMOUNT ENGINEERING SPECIFICATIONS. UNIT NOTES IN INCHES (mm). REFERENCE ROSEMOUNT PRODUCT SHEETS FOR PRODUCT SPECIFICATIONS. CLICK HERE</small>		<small>3RD ANGLE</small>	<small>SIZE D</small>	<small>SCALE NTS</small>	
	TITLE ROSEMOUNT 1199 SEALS TYPE I DRAWING				
	<small>DR. J. ARMSTRONG</small>	<small>3/7/17</small>	<small>DRAWING NO.</small>	<small>01199-9500</small>	
	<small>APP'D L.BRYANT</small>	<small>3/7/17</small>	<small>CAD MAINTAINED (PRO/EI)</small>		

HYGIENIC TANK SPUD SEAL
(SSW)

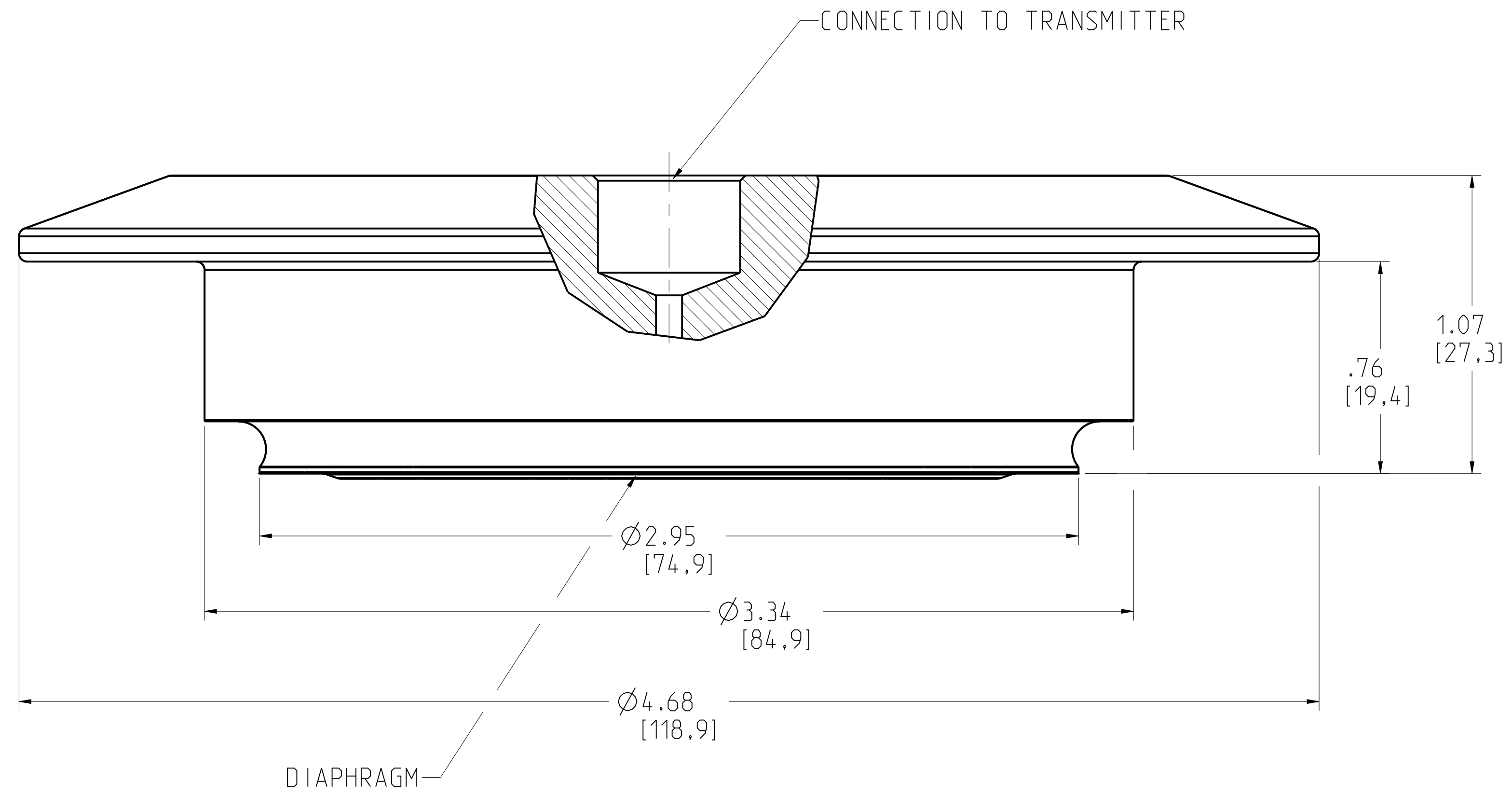
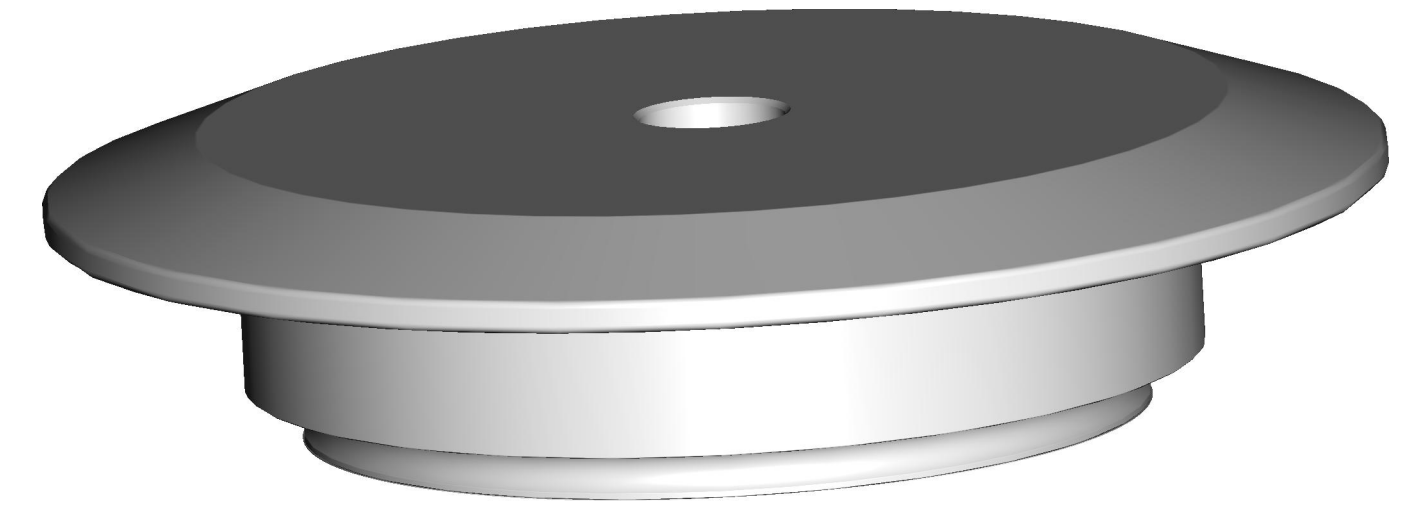
PIPE SIZE	EXTENSION LENGTH	"A"	"B"
4" SCH 5	2" LONG	2.10 (53)	2.12 (56)
	6" LONG	6.10 (155)	6.12 (156)



DIMENSIONS IN INCHES (MILLIMETERS)

<small>©2015 ROSEMOUNT, INC. ROSEMOUNT INCORPORATES THIS INFORMATION IN THIS DRAWING IN ACCORDANCE WITH ROSEMOUNT ENGINEERING SPECIFICATIONS. UNIT NOTES IN INCHES (mm).</small>	<small>3RD ANGLE</small>	<small>SIZE D</small>	<small>SCALE NTS</small>
	TITLE ROSEMOUNT 1199 SEALS TYPE I DRAWING		
	<small>DR.</small> J. ARMSTRONG	<small>3/7/17</small>	<small>DRAWING NO.</small>
<small>APP'D</small> L.BRYANT	<small>3/7/17</small>	<small>SHEET 27 OF 41</small>	
<small>CAD MAINTAINED. (PRO/CI)</small>			

HYGIENIC THIN-WALL TANK SPUD SEAL
(STW)



©2015 ROSEMOUNT, INC.
ROSEMOUNT INC. EXPRESSLY
WARRANTS THE DIMENSIONS AND
TOLERANCES SHOWN IN THIS
DRAWING TO ACCORDANCE WITH
ROSEMOUNT ENGINEERING
SPECIFICATIONS.
UNIT NOTES IN INCHES (mm).

REFERENCE ROSEMOUNT
PRODUCT SHEETS FOR
PRODUCT SPECIFICATIONS.
CLICK HERE

EMERSON

3RD ANGLE

SIZE D SCALE NTS

TITLE ROSEMOUNT 1199 SEALS
TYPE I DRAWING

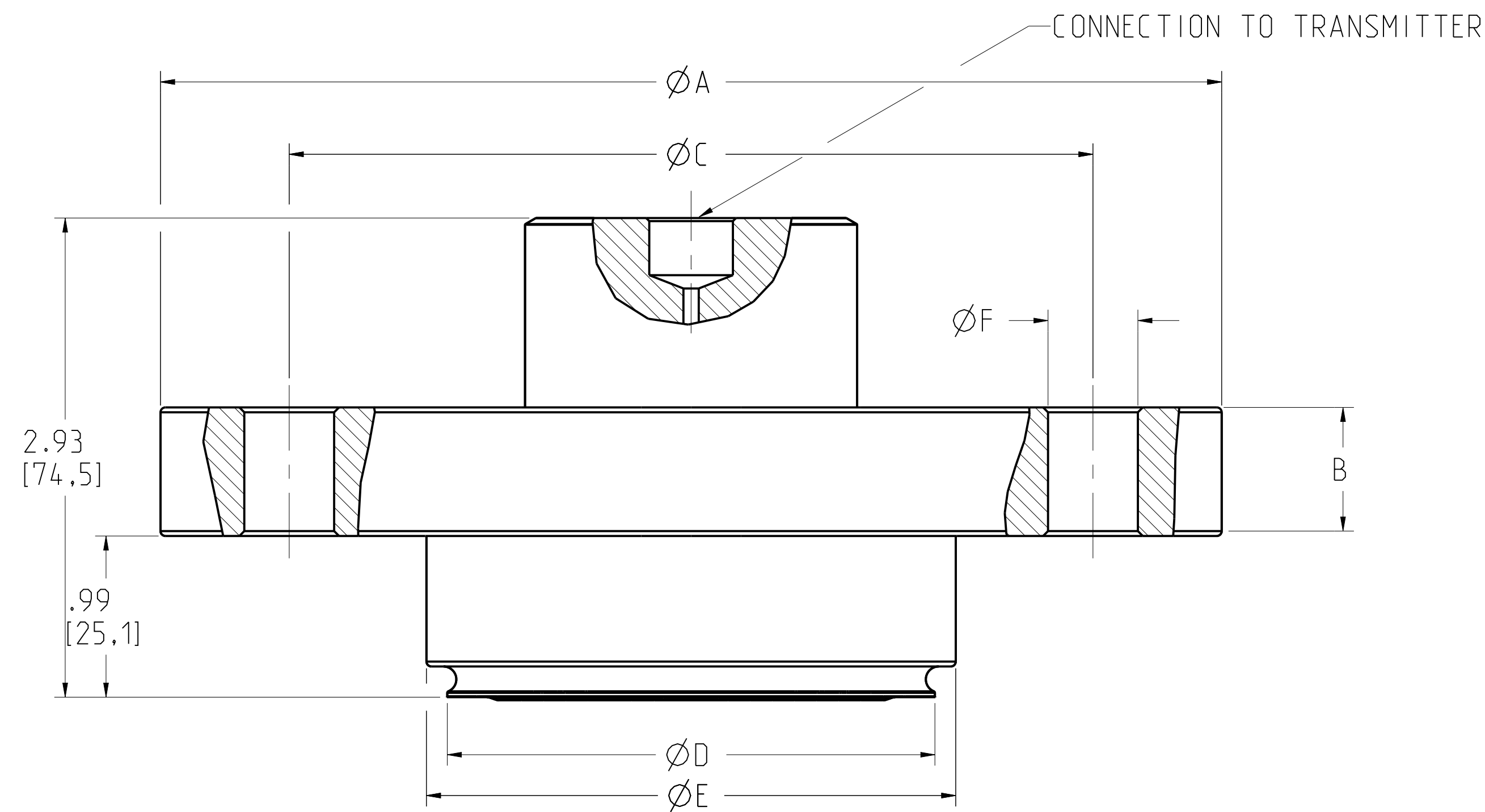
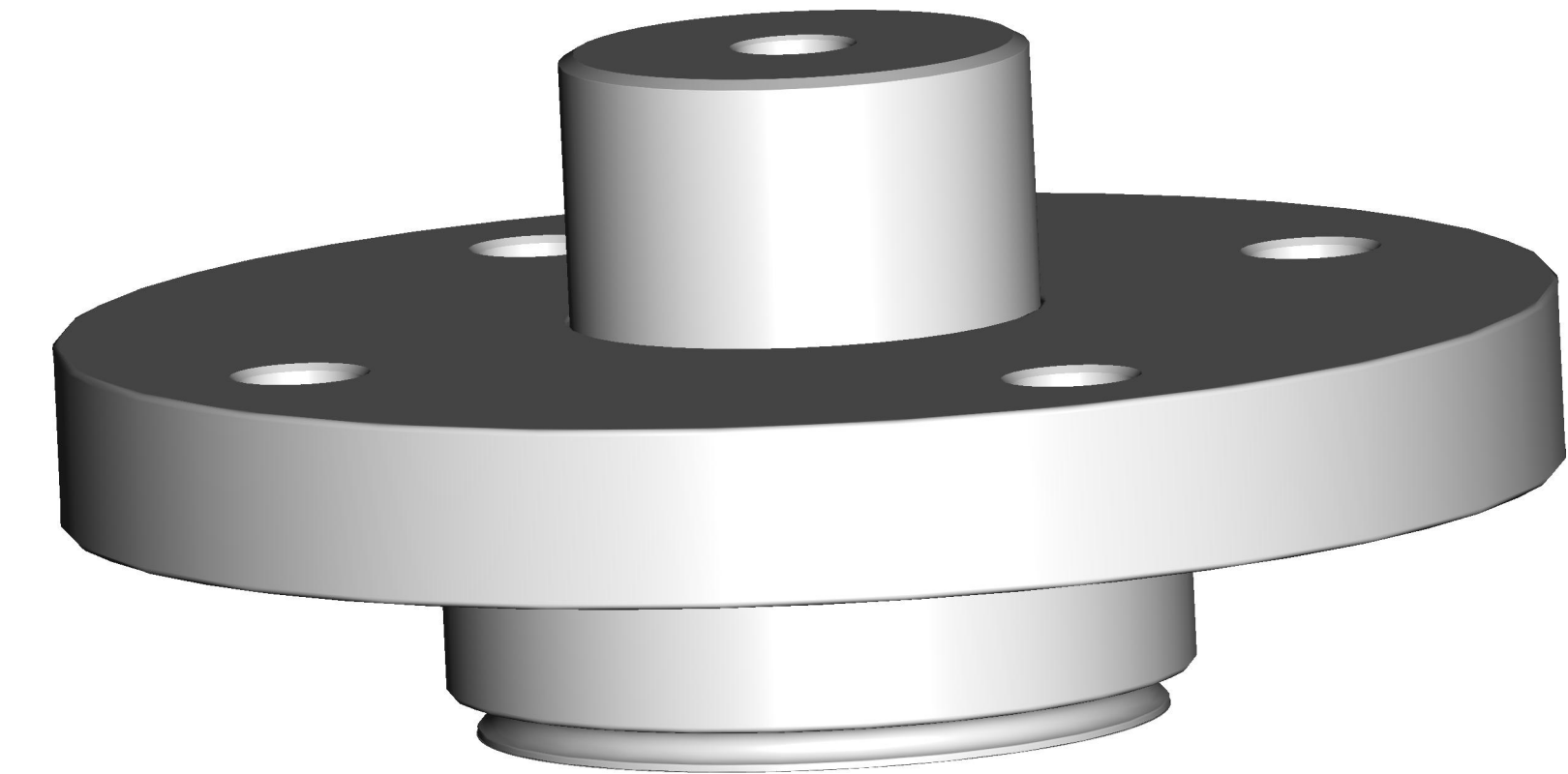
DR. J. ARMSTRONG 3/7/17 DRAWING NO. 01199-9500

APP'D L.BRYANT 3/7/17

CAD MAINTAINED (PRO/EI) SHEET 28 OF 41

HYGIENIC FLANGED TANK SPUD
EXTENDED SEAL (EES)

PIPE SIZE	FLANGE DIAMETER "A"	FLANGE THICKNESS "B"	# OF BOLTS	BOLT CIRCLE DIAMETER "C"	STANDARD DIAPHRAGM DIAMETER "D"	EXTENSION DIAMETER "E"	BOLT HOLE DIAMETER "F"
DN50	6.50 (165)	0.79 (20)	4	4.92 (125)	2.99 (76)	3.24 (82)	0.55 (14)
DN80	7.87 (200)	0.94 (24)	8	6.30 (160)	4.04 (102)	4.24 (108)	0.55 (14)



DIMENSIONS IN INCHES (MILLIMETERS)

©2015 ROSEMOUNT INC.
ROSEMOUNT INC. ACCEPTS
THIS DRAWING AS IS, WITHOUT
WARRANTY, AND SHALL NOT BE
USED IN CONNECTION WITH
ROSEMOUNT ENGINEERING
SPECIFICATIONS.
UNIT NOTES IN INCHES (mm).

REFERENCE ROSEMOUNT
PRODUCT SHEETS FOR
PRODUCT SPECIFICATIONS.
CLICK HERE

EMERSON

3RD ANGLE

SIZE D SCALE NTS

TITLE ROSEMOUNT 1199 SEALS
TYPE I DRAWING

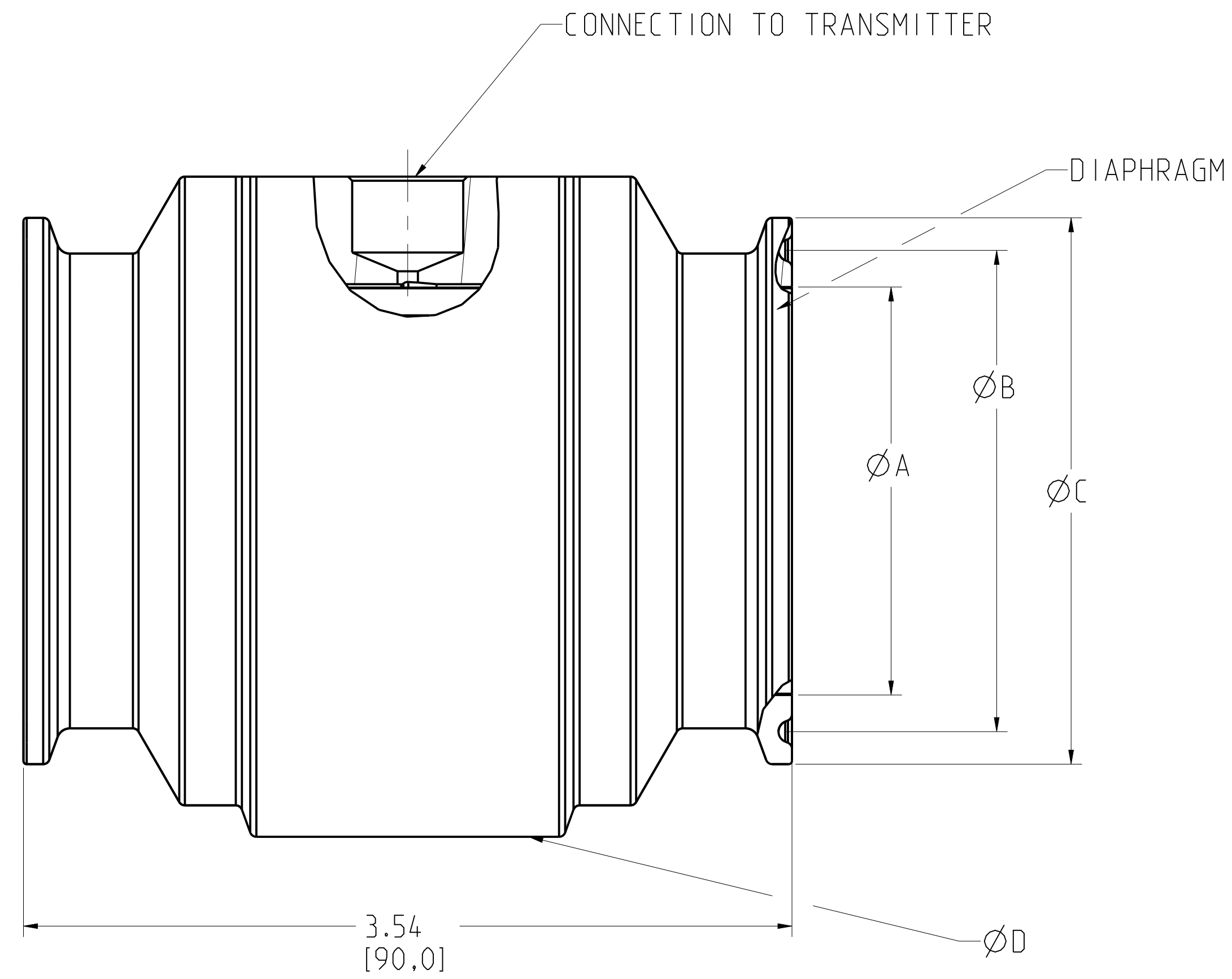
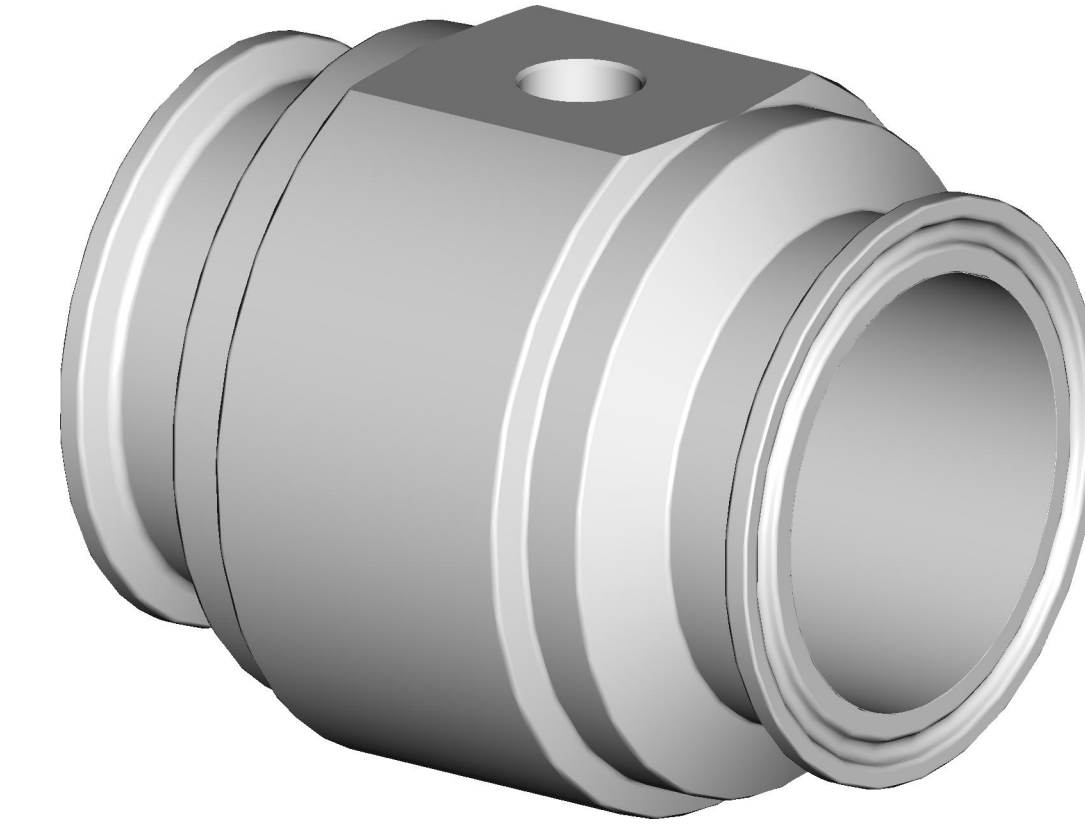
DR. J. ARMSTRONG 3/7/17 DRAWING NO. 01199-9500

APP'D L.BRYANT 3/7/17

CAD MAINTAINED (PRO/E) SHEET 29 OF 41

HYGENIC IN-LINE TRI-CLAMP SEAL
(VCS)

PIPE SIZE	INNER DIAMETER "A"	GROOVE DIAMETER "B"	FLANGE DIAMETER "C"	OUTER DIAMETER "D"
1"	0.87 (22)	1.72 (44)	1.99 (51)	2.33 (59)
1-1/2"	1.37 (35)	1.72 (44)	1.99 (51)	2.73 (69)
2"	1.87 (48)	2.22 (56)	2.52 (64)	3.19 (81)
3"	2.87 (73)	3.28 (83)	3.58 (91)	4.14 (105)
4"	3.82 (97)	4.35 (110)	4.69 (119)	5.06 (129)



DIMENSIONS IN INCHES (MILLIMETERS)

©2015 ROSEMOUNT INC. ROSEMOUNT INC. ACCEPTS THIS DRAWING AS IS IN ACCORDANCE WITH ROSEMOUNT ENGINEERING SPECIFICATIONS. UNIT NOTES IN INCHES (mm).

REFERENCE ROSEMOUNT PRODUCT SPECIFICATIONS FOR PRODUCT SPECIFICATIONS. CLICK HERE

CAD MAINTAINED. (PRO/E)

3RD ANGLE

EMERSON

TITLE ROSEMOUNT 1199 SEALS TYPE I DRAWING

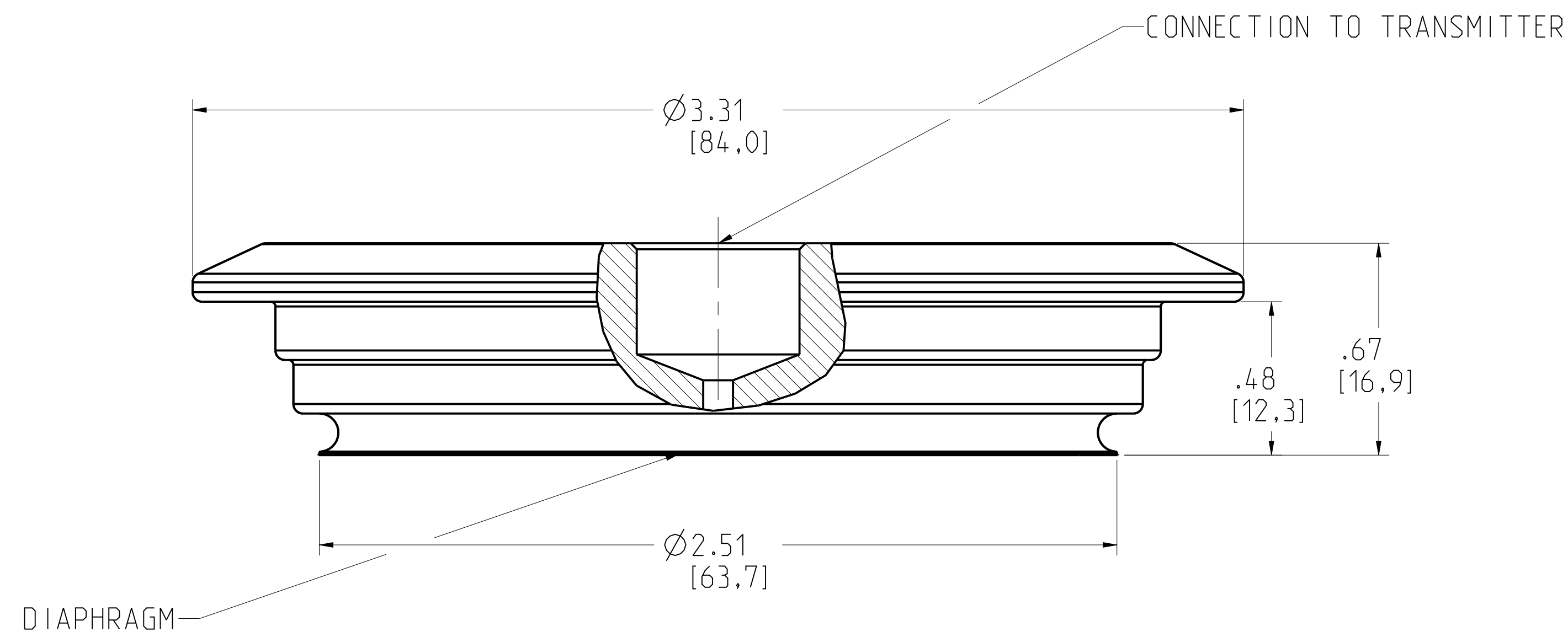
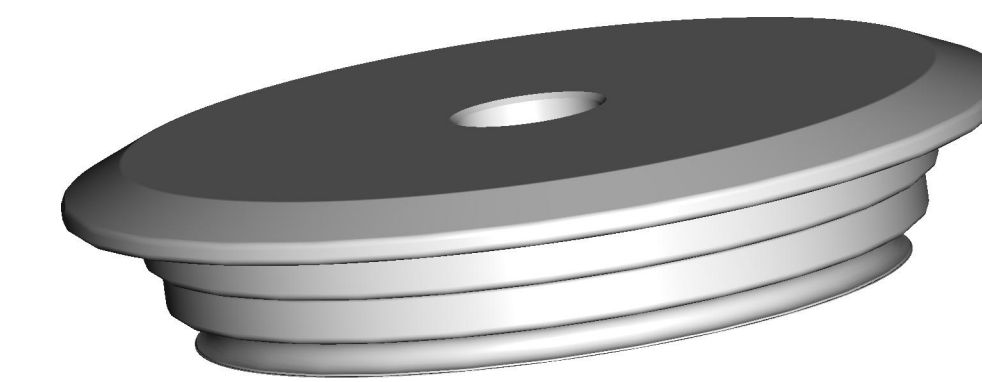
DR. J. ARMSTRONG 3/7/17 DRAWING NO. 01199-9500

APP'D L.BRYANT 3/7/17

SIZE D SCALE NTS

SHEET 30 OF 41

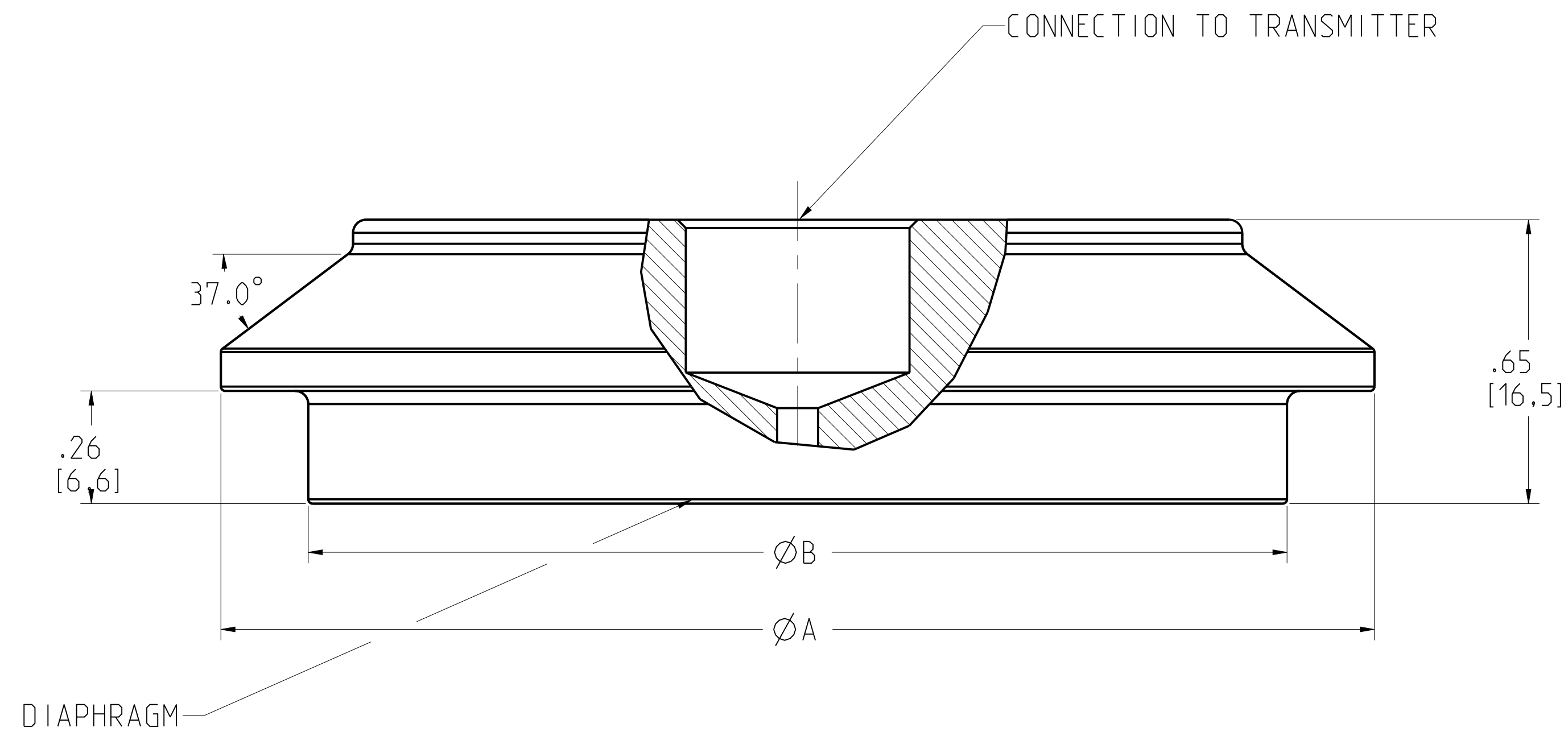
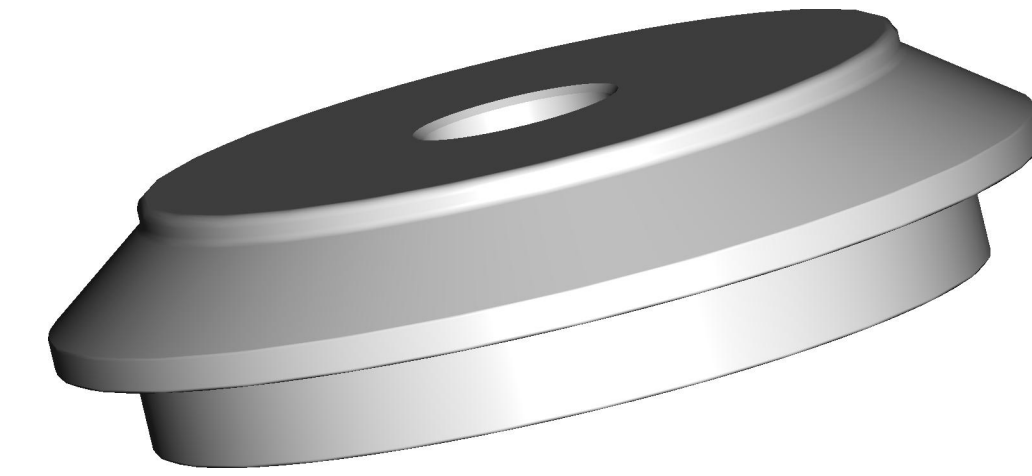
VARIVENT COMPATIBLE HYGIENIC
CONNECTION SEAL (SVS)



©2015 ROSEMOUNT, INC. ROSEMOUNT INC. ACCEPTS LIABILITY FOR THE INFORMATION CONTAINED HEREIN IN ACCORDANCE WITH ROSEMOUNT ENGINEERING SPECIFICATIONS. UNIT NOTES IN INCHES (mm). REFERENCE ROSEMOUNT PRODUCT SPECIFICATIONS FOR PRODUCT SPECIFICATIONS. CLICK HERE	3RD ANGLE	SIZE D	SCALE NTS
	TITLE ROSEMOUNT 1199 SEALS TYPE I DRAWING		
	DR. J. ARMSTRONG	3/7/17	DRAWING NO.
APP'D L.BRYANT	3/7/17	SHEET 31 OF 41	
CAD MAINTAINED. (PRO/E)			

HYGIENIC CHERRY-BURREL "I" LINE SEAL
(SHP)

SIZE	OUTER DIAMETER "A"	EXTENSION DIAMETER "B"
2"	2.64 (67)	2.24 (57)
3"	3.88 (98)	3.31 (84)

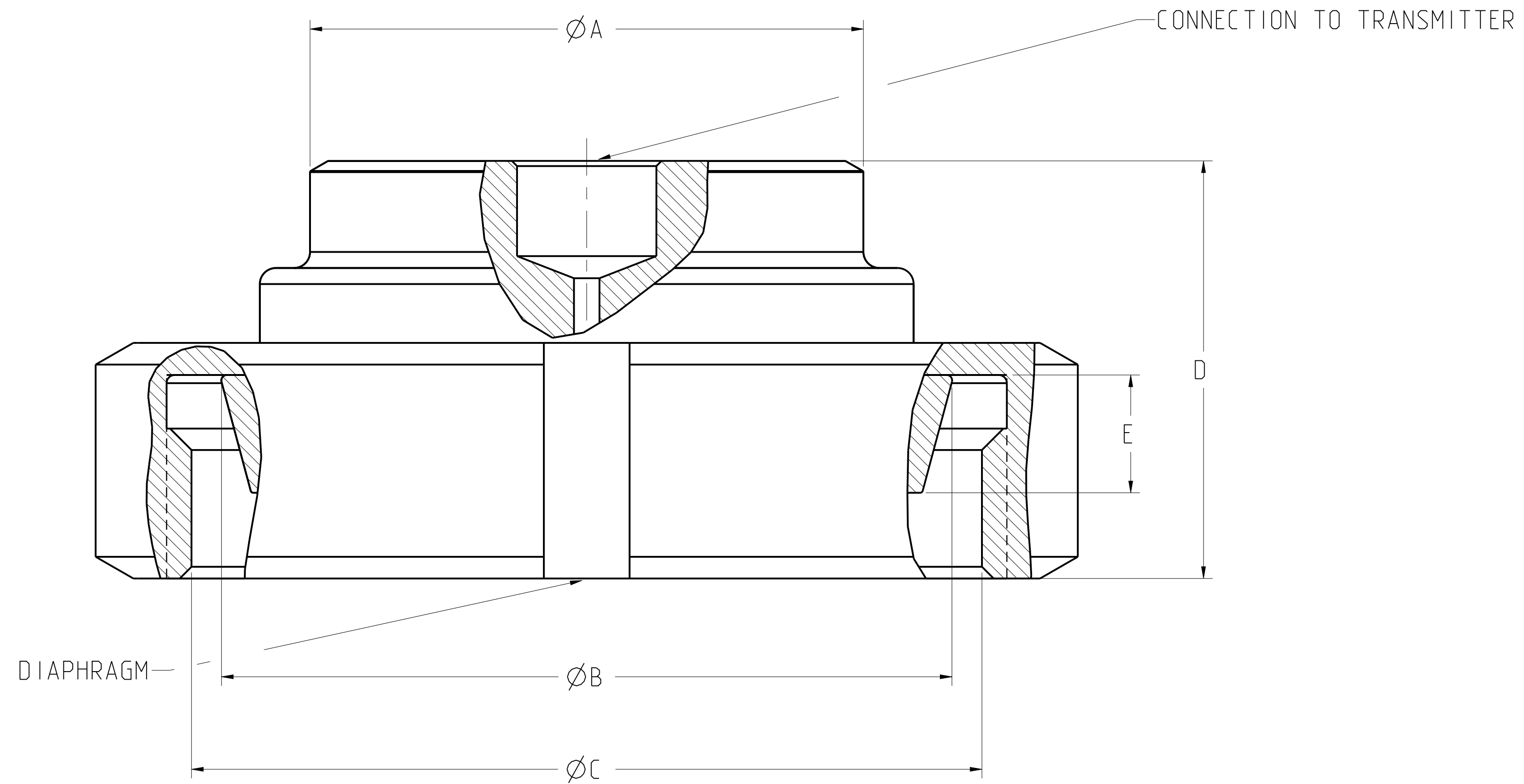
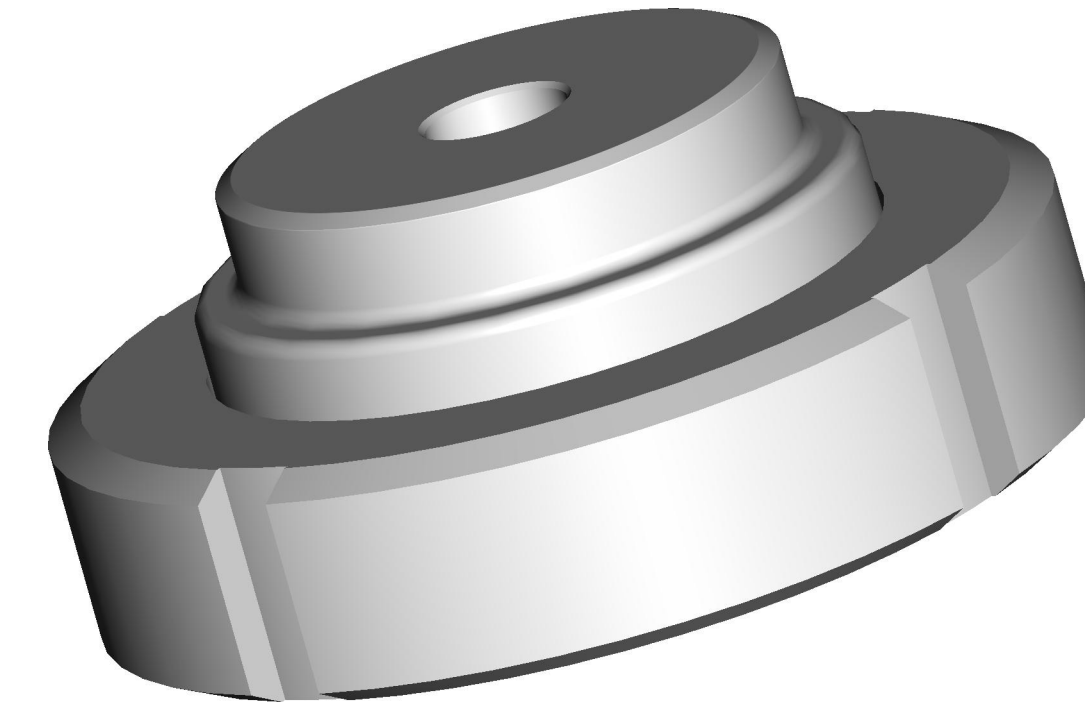


DIMENSIONS IN INCHES (MILLIMETERS)

©2015 ROSEMOUNT INC. ROSEMOUNT INC. ACCEPTS LIABILITY FOR THE INFORMATION PROVIDED HEREIN. THIS INFORMATION IS PROVIDED IN ACCORDANCE WITH ROSEMOUNT ENGINEERING SPECIFICATIONS. UNIT NOTES IN INCHES (mm). REFERENCE ROSEMOUNT PRODUCT SPECIFICATIONS FOR PRODUCT SPECIFICATIONS. CLICK HERE	3RD ANGLE	SIZE D	SCALE NTS
	TITLE ROSEMOUNT 1199 SEALS TYPE I DRAWING		
	DR. J. ARMSTRONG	3/7/17	DRAWING NO.
APP'D L.BRYANT	3/7/17	01199-9500	
CAD MAINTAINED (PRO/E)		SHEET 32 OF 41	

DIARY PROCESS CONNECTION-FEMALE
 THREADED SEAL PER DIN 11851 (SLS)

FEMALE THREAD	PROCESS SIZE/RATING	HUB DIA. "A"	"B"	THREAD DIA. "C"	HUB HEIGHT "D"	"E"
DIN 11851	DN40 PN40	1.89 (48)	2.20 (56)	Rd 65 X 1/6"	1.18 (30)	0.39 (10)
	DN50 PN25	2.40 (61)	2.70 (69)	Rd 78 X 1/6"	1.22 (31)	0.43 (11)



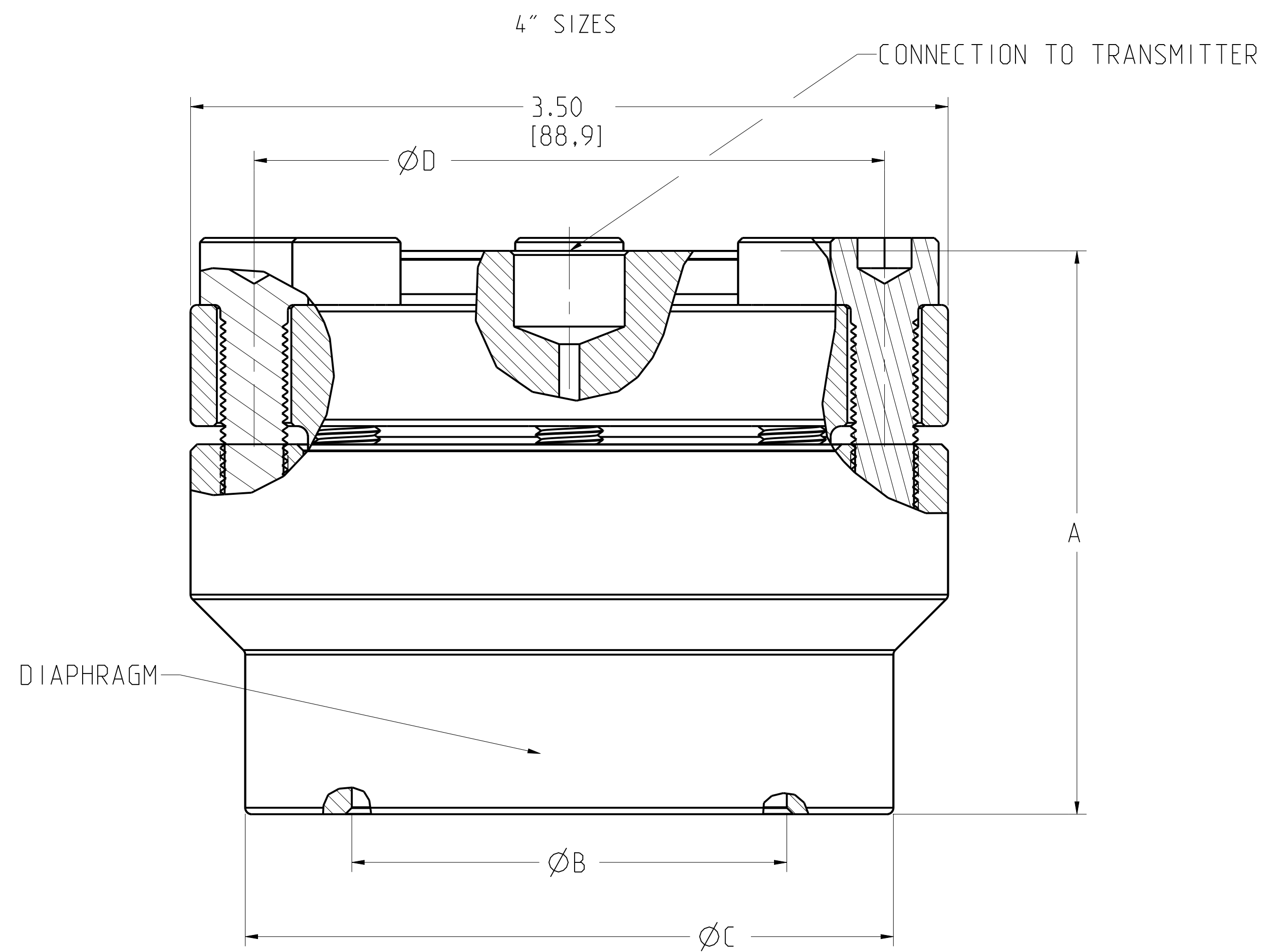
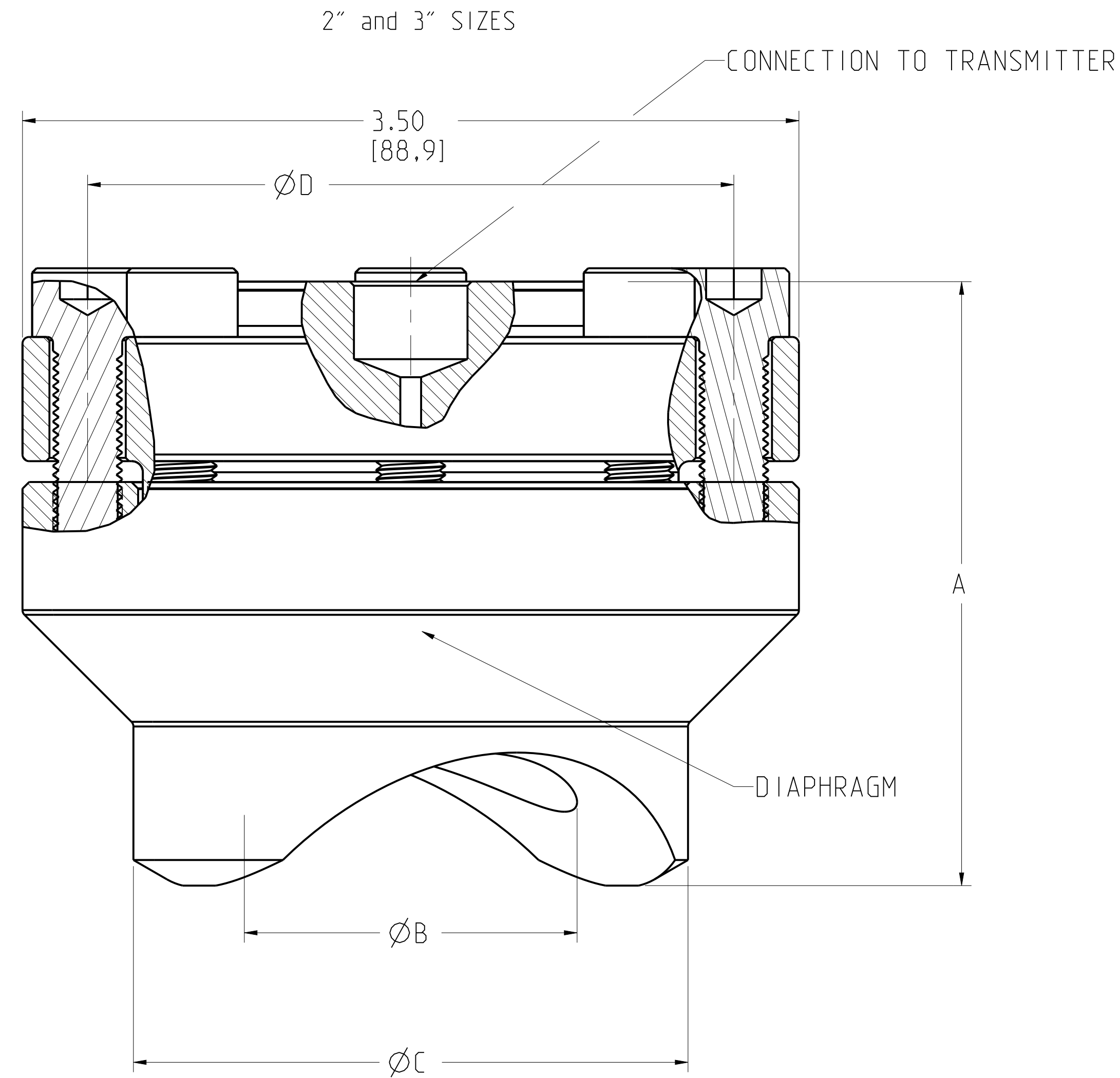
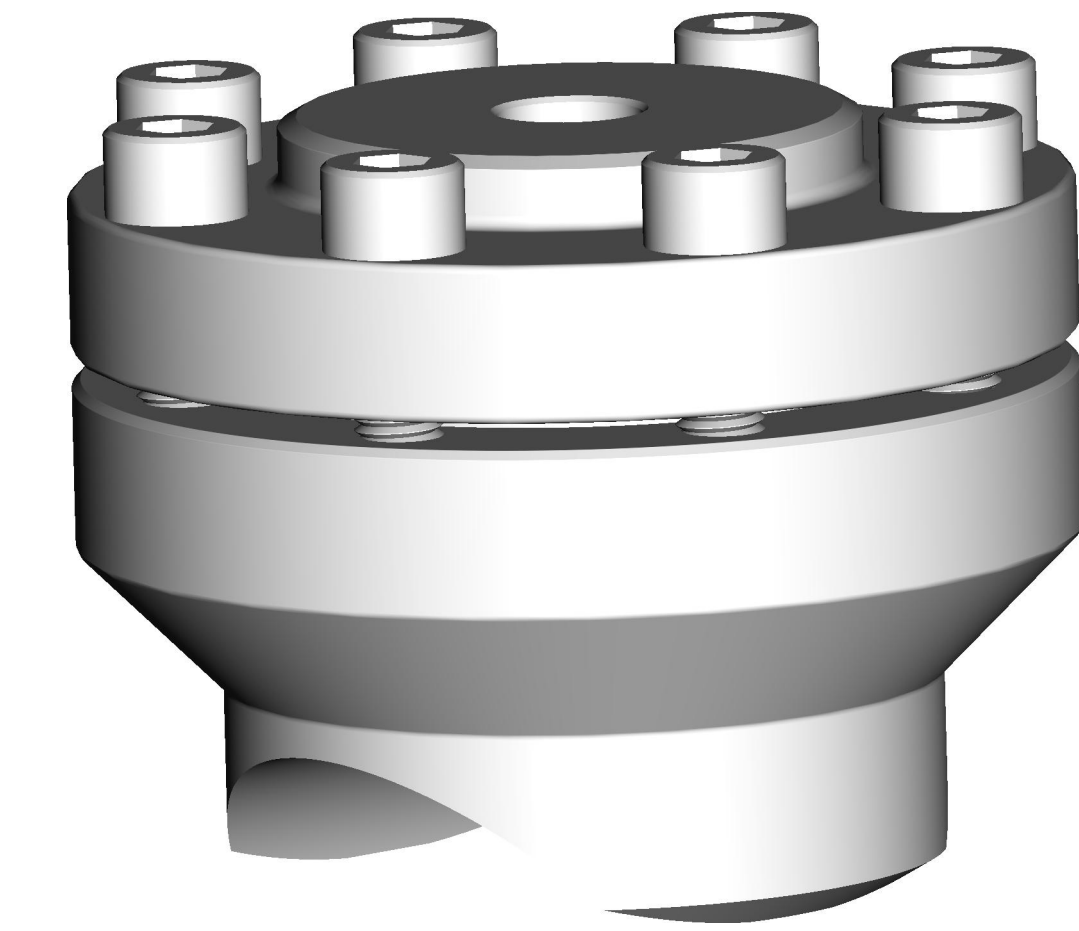
DIMENSIONS IN INCHES (MILLIMETERS)

<small>©2015 ROSEMOUNT, INC. ROSEMOUNT INCORPORATES THE BEST TALENT AND IDEAS IN THE INDUSTRY TO DELIVER ACCORDANCE WITH ROSEMOUNT ENGINEERING SPECIFICATIONS. UNIT NOTES IN INCHES (mm).</small>	<small>REFERENCE ROSEMOUNT PRODUCT SPECIFICATIONS FOR PRODUCT SPECIFICATIONS. CLICK HERE</small>					
		TITLE ROSEMOUNT 1199 SEALS TYPE I DRAWING				
		<small>DR.</small> J. ARMSTRONG	<small>3/7/17</small>	<small>DRAWING NO.</small>	01199-9500	
		<small>APP'D</small> L.BRYANT	<small>3/7/17</small>	<small>CAD MAINTAINED (PRO/EI)</small>		

SHEET 33 OF 41

SADDLE SEAL (WSP)

PIPE SIZE	OVERALL HEIGHT "A"	INNER DIAMETER "B"	OUTER DIAMETER "C"	BOLT CIRCLE DIAMETER "D"	
				6 BOLTS	8 BOLTS
2"	2.72 (69)	1.50 (38)	2.50 (64)	2.99 (76)	2.91 (74)
3"	2.46 (63)	2.01 (51)	3.02 (77)	2.99 (76)	2.91 (74)
4" AND LARGER	2.60 (66)	2.01 (51)	3.00 (76)	2.99 (76)	2.91 (74)



©2015 ROSEMOUNT INC. ROSEMOUNT INC. ACCEPTS RESPONSIBILITY FOR THE ACCURACY OF THIS DRAWING IN ACCORDANCE WITH ROSEMOUNT ENGINEERING SPECIFICATIONS. UNIT NOTES IN INCHES (mm).

REFERENCE ROSEMOUNT PRODUCT SHEETS FOR PRODUCT SPECIFICATIONS. CLICK HERE

EMERSON

3RD ANGLE

SIZE D

SCALE NTS

TITLE ROSEMOUNT 1199 SEALS TYPE I DRAWING

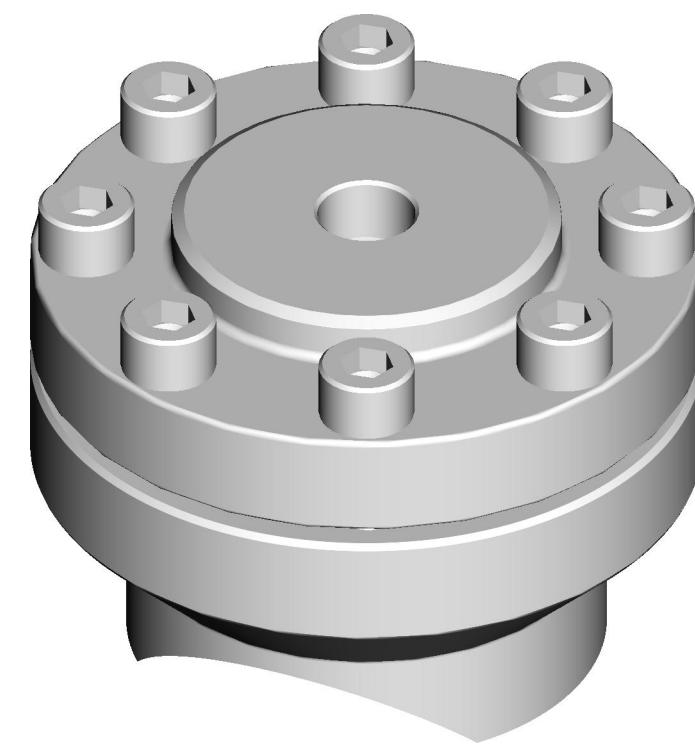
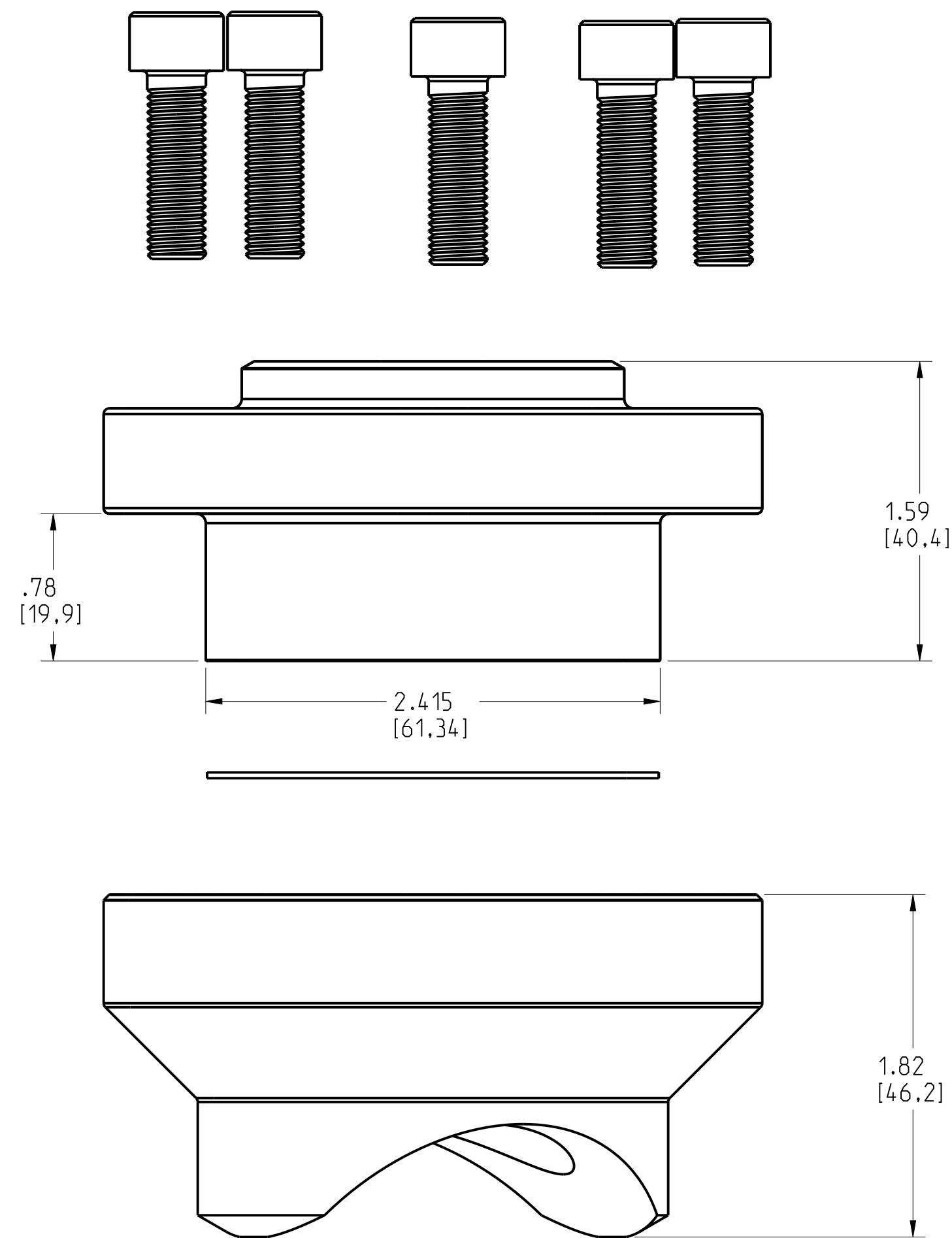
DR. J. ARMSTRONG 3/7/17 DRAWING NO. 01199-9500

APP'D L.BRYANT 3/7/17

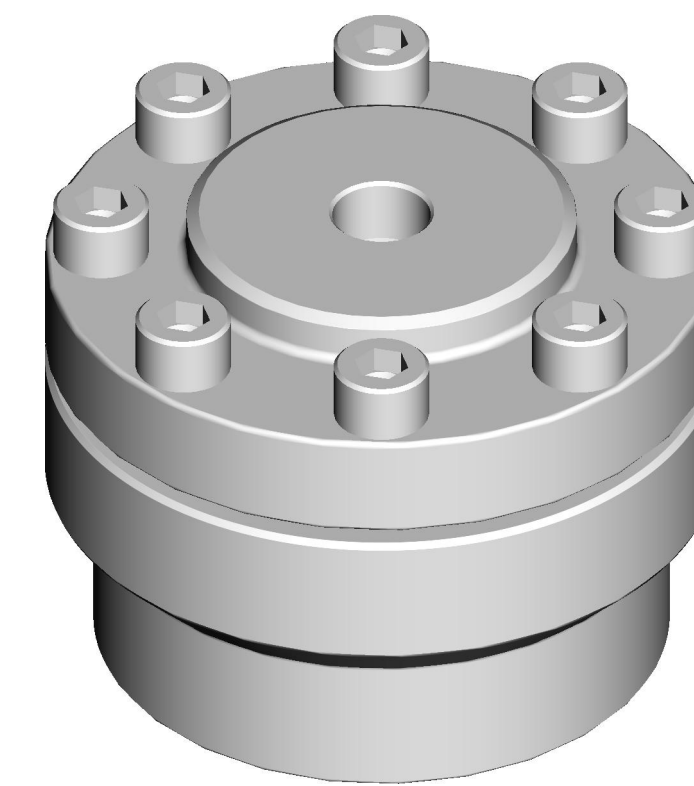
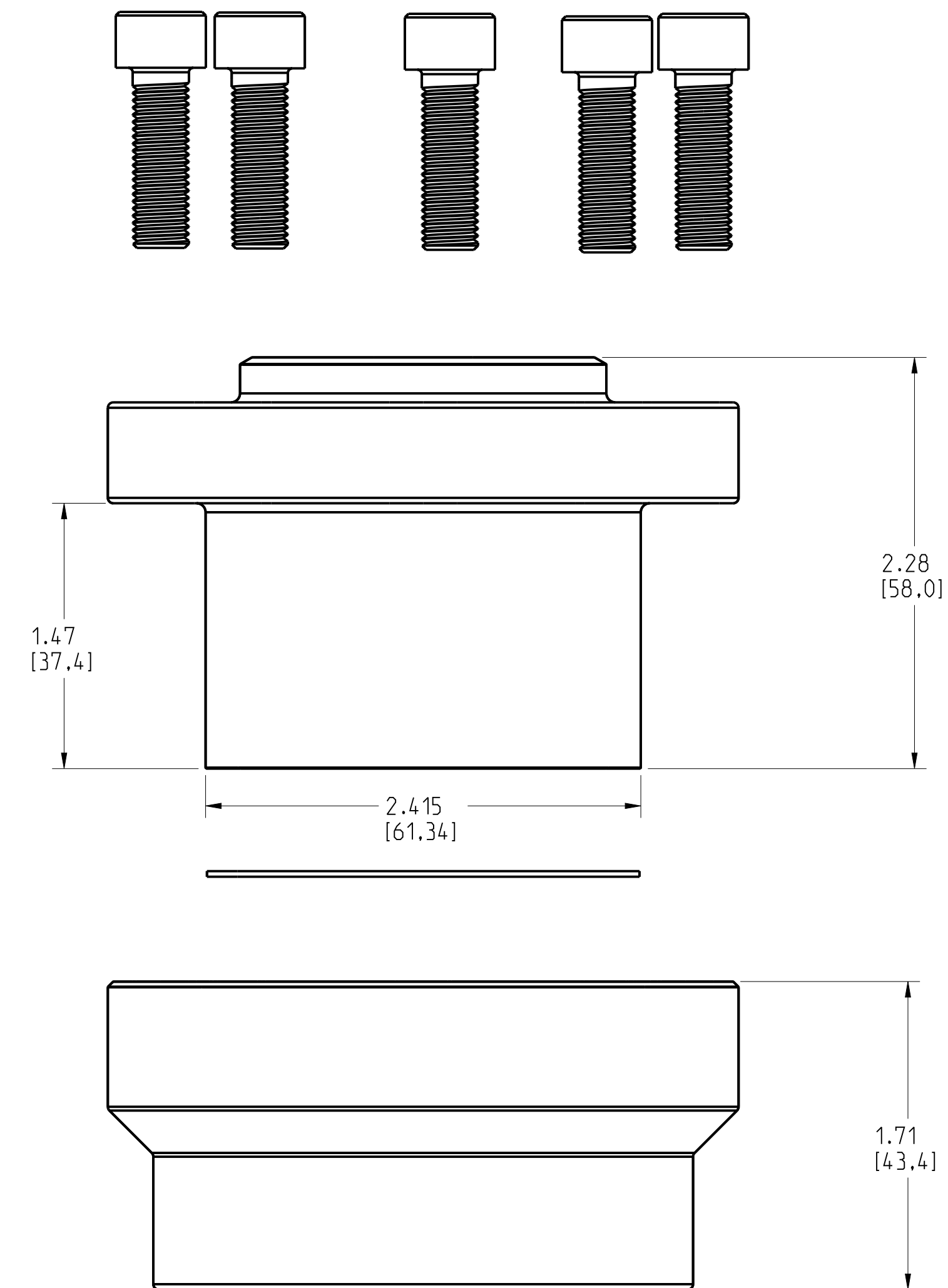
CAD MAINTAINED (PRO/E) SHEET 34 OF 41

SADDLE SEAL (WSP)

2" and 3" SIZES



4" SIZES



©2015 ROSEMOUNT, INC.
ROSEMOUNT INC. RESERVES ALL RIGHTS IN THIS DOCUMENT. THIS DOCUMENT IS THE PROPERTY OF ROSEMOUNT ENGINEERING SPECIFICATIONS. UNIT NOTES IN INCHES (mm).

REFERENCE ROSEMOUNT TYPE I DRAWINGS FOR PRODUCT SPECIFICATIONS. CLICK HERE

CAD MAINTAINED. (PRO/E)

3RD ANGLE

EMERSON

TITLE ROSEMOUNT 1199 SEALS TYPE I DRAWING

DR. J. ARMSTRONG 3/7/17 DRAWING NO. 01199-9500

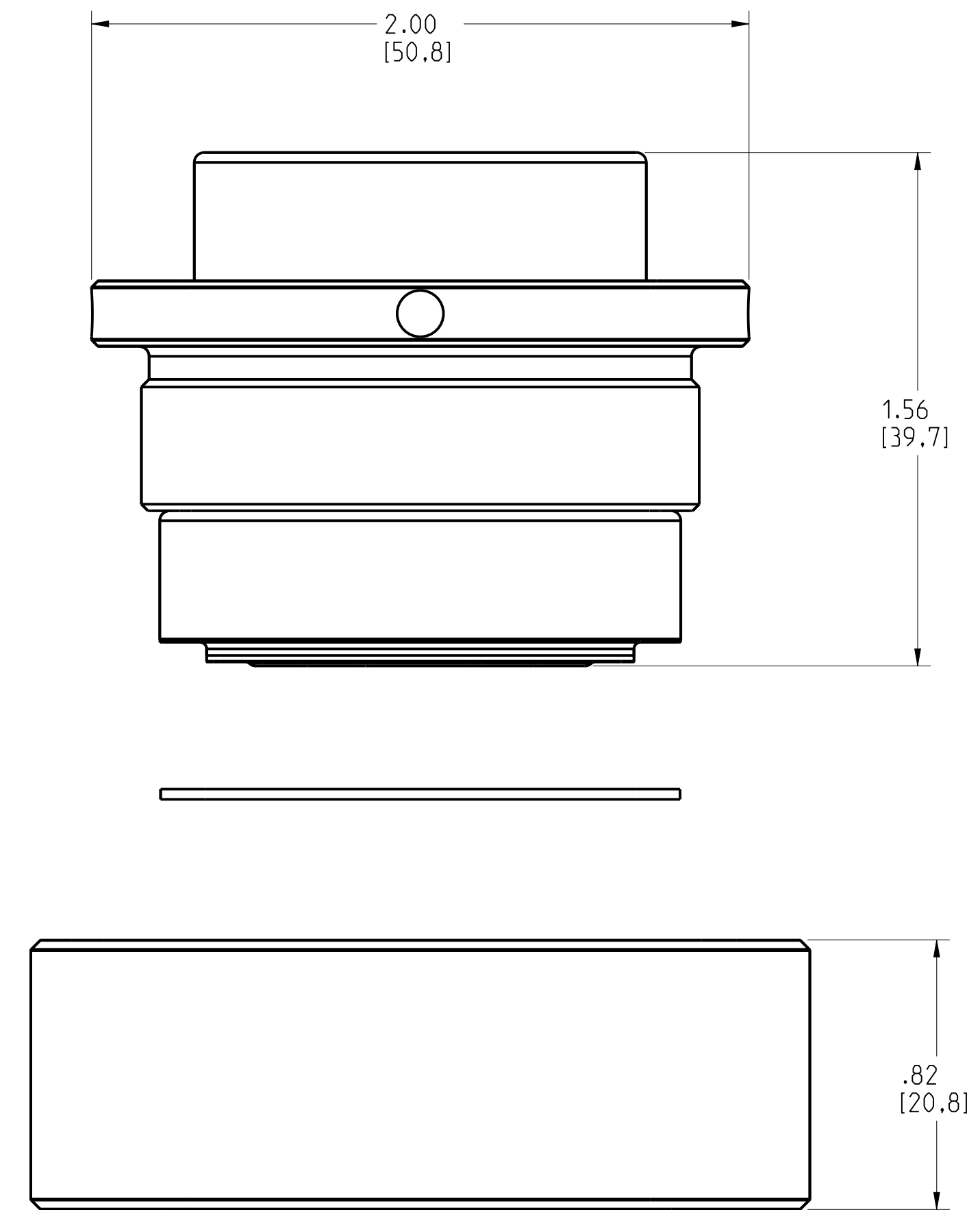
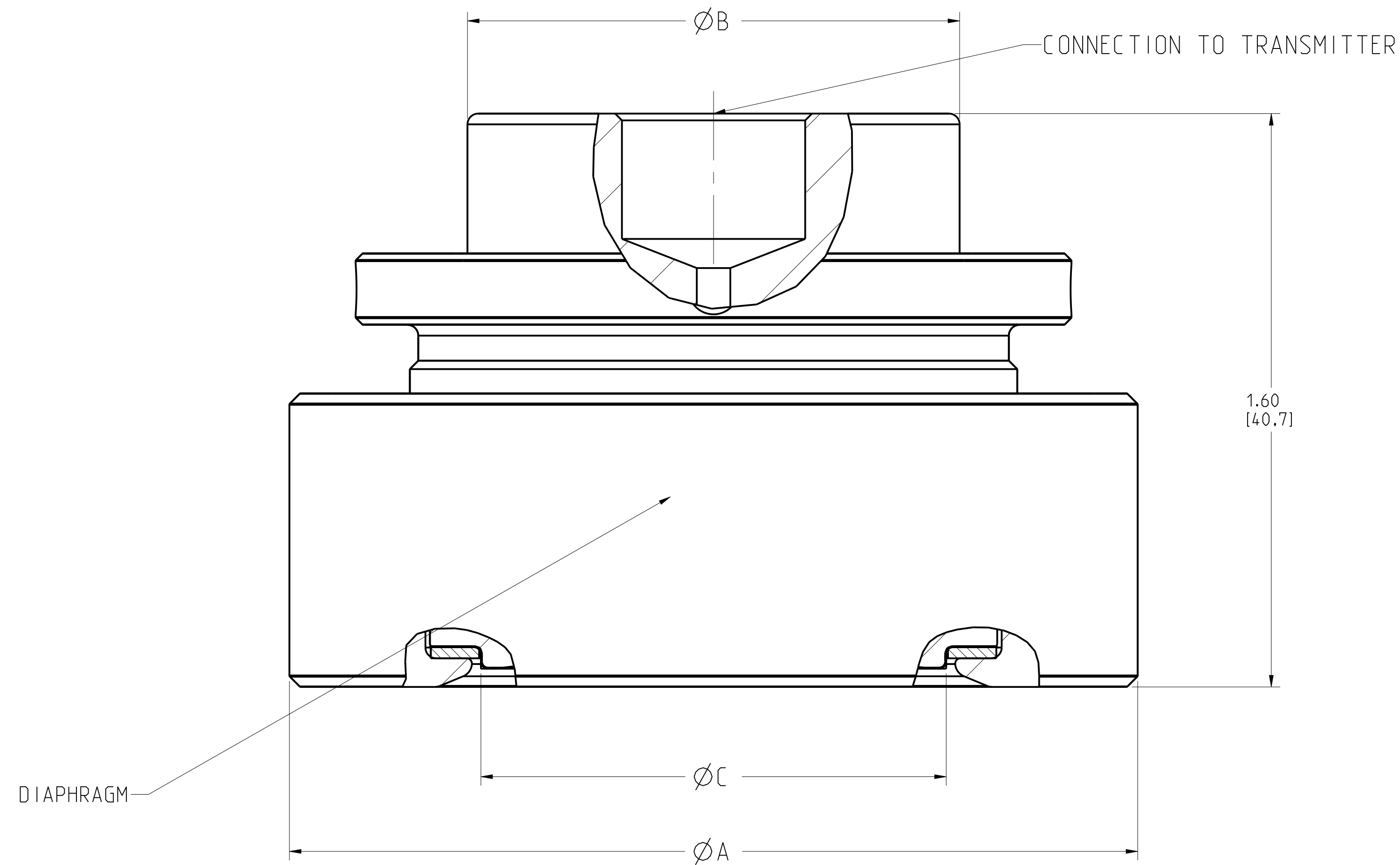
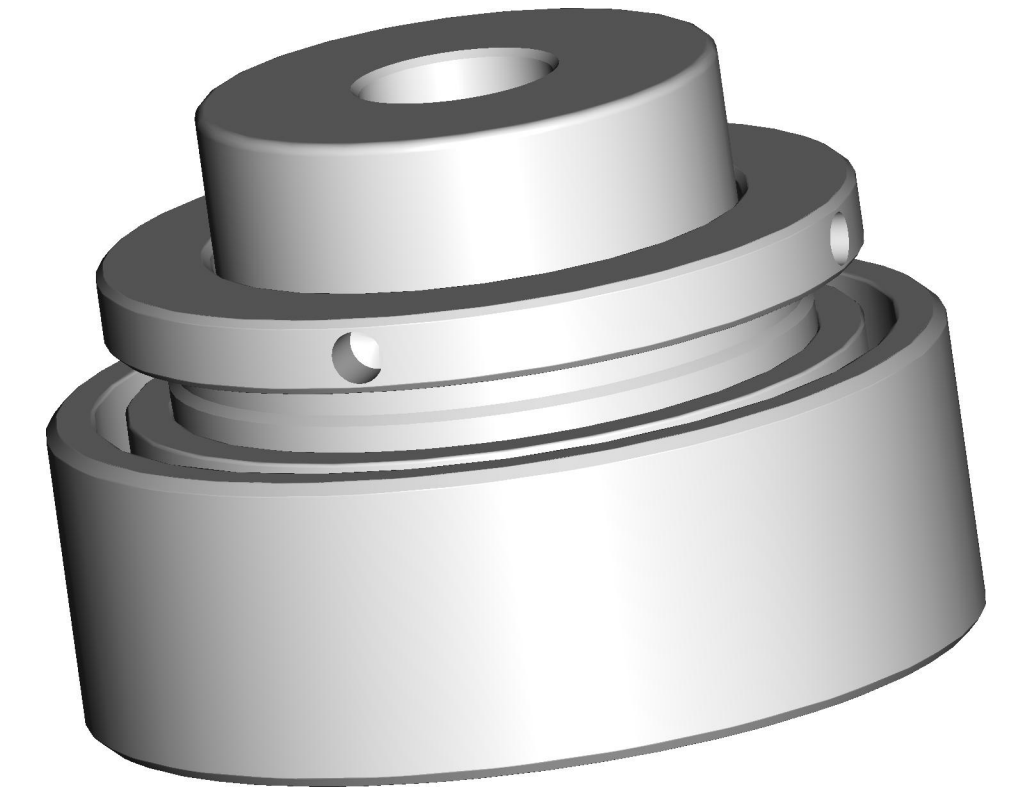
APP'D L.BRYANT 3/7/17

SIZE D SCALE NTS

SHEET 35 OF 41

MALE THREADED PIPE MOUNT SEAL (UCP)

SIZE	OVERALL DIAMETER "A"	DIAMETER "B"	DIAPHRAGM DIAMETER "C"
THREADED M44 X 1.25	2.42 (61)	1.38 (35)	1.32 (32)

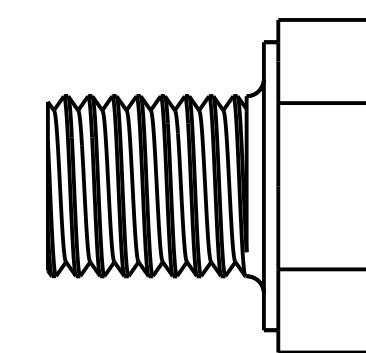
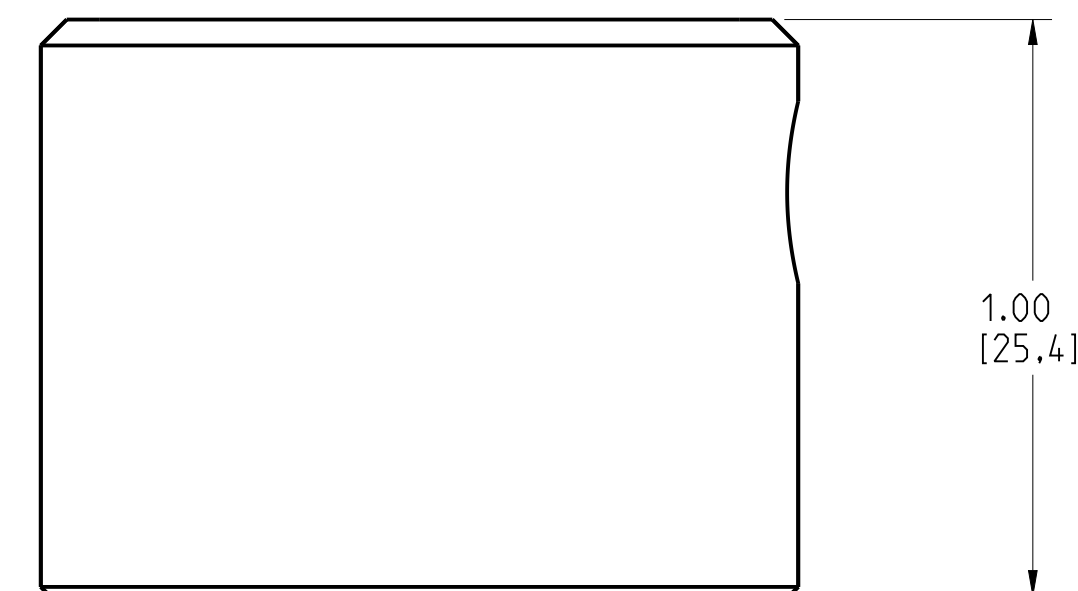
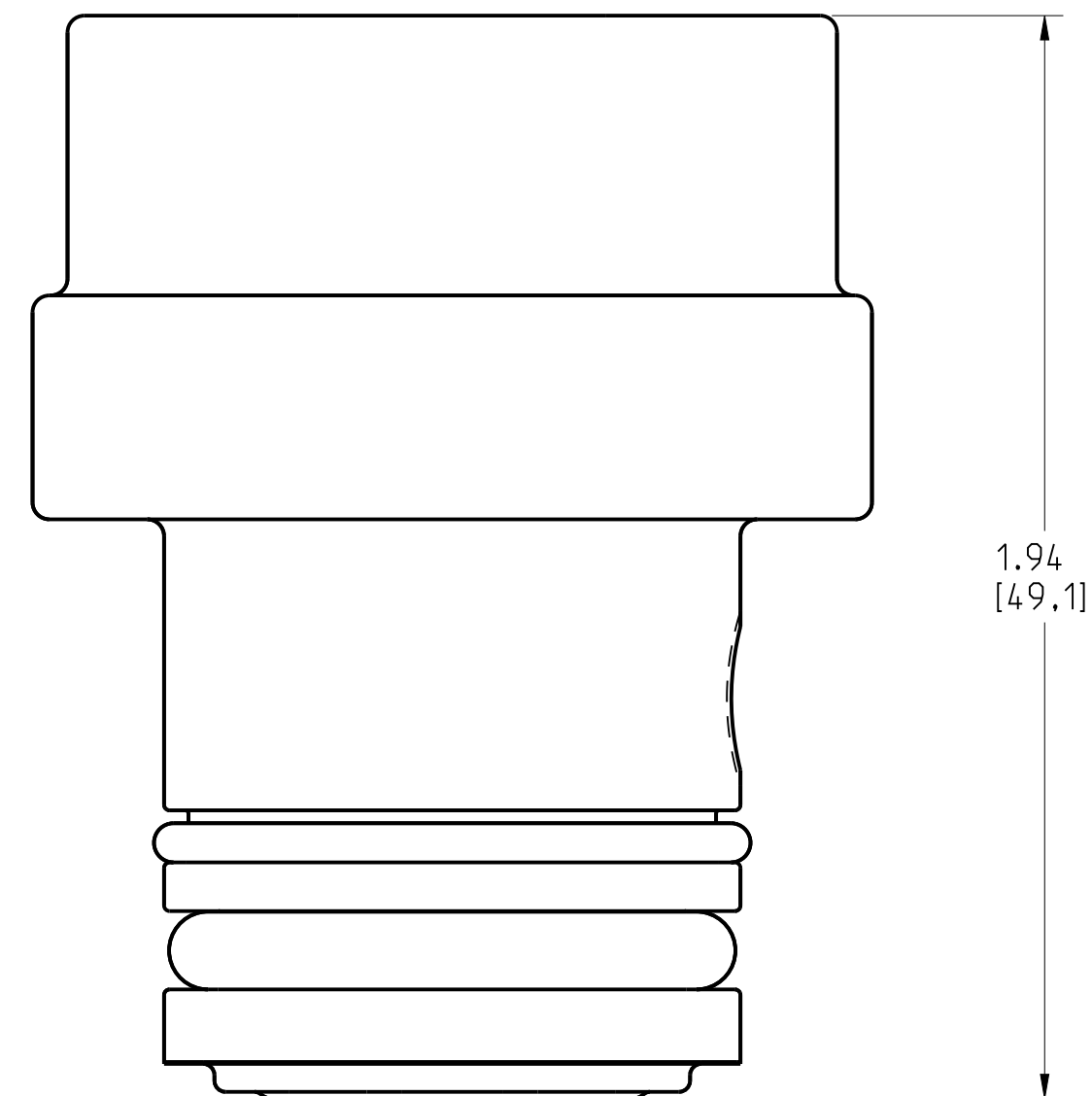
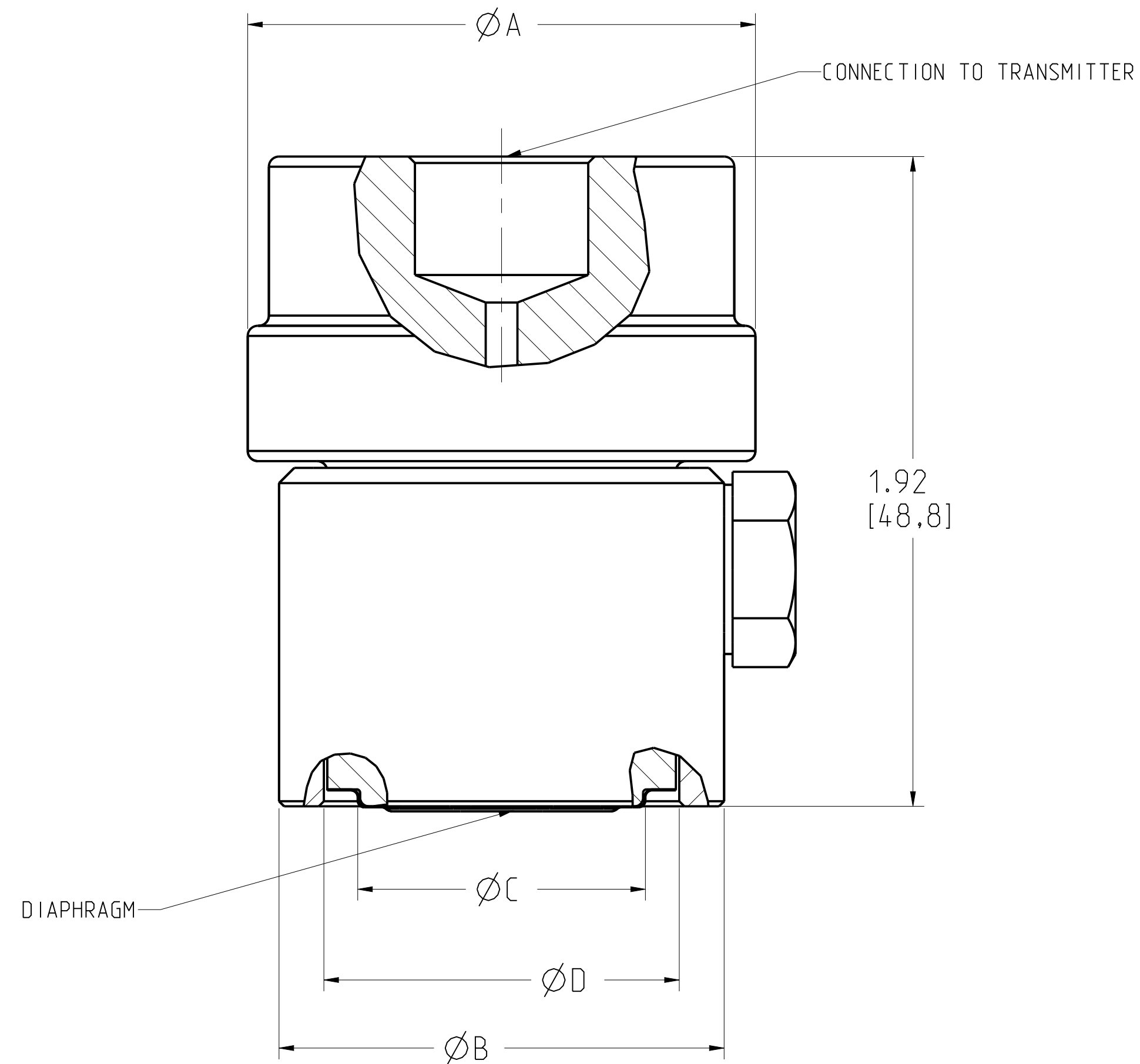


DIMENSIONS IN INCHES (MILLIMETERS)

©2015 ROSEMOUNT, INC. ROSEMOUNT INC. ACCEPTS LIABILITY FOR THE INFORMATION PROVIDED HEREIN. THIS INFORMATION IS PROVIDED AS IS. ROSEMOUNT ENGINEERING SPECIFICATIONS APPLY TO THIS INFORMATION. UNIT NOTES IN INCHES (mm). REFERENCE ROSEMOUNT PRODUCT SPECIFICATIONS FOR PRODUCT SPECIFICATIONS. CLICK HERE	3RD ANGLE	SIZE D	SCALE NTS
	TITLE ROSEMOUNT 1199 SEALS TYPE I DRAWING		
	DR. J. ARMSTRONG APP'D L.BRYANT	3/7/17 3/7/17	DRAWING NO. 01199-9500
CAD MAINTAINED (PRO/E)		SHEET 36 OF 41	

PAPER MILL SLEEVE SEAL (PMW)

SIZE	OVERALL DIAMETER "A"	DIAMETER "B"	DIAPHRAGM DIAMETER "C"	SLEEVE INNER DIAMETER "D"
SLEEVE 1" PIPE	1.50 (38)	1.32 (34)	0.84 (21)	1.04 (26)



DIMENSIONS IN INCHES (MILLIMETERS)

©2015 ROSEMOUNT, INC. ROSEMOUNT INC. ACCEPTS RESPONSIBILITY FOR THE ACCURACY OF THIS DRAWING IN ACCORDANCE WITH ROSEMOUNT ENGINEERING SPECIFICATIONS. UNIT NOTES IN INCHES (mm).

REFERENCE ROSEMOUNT PRODUCT SHEETS FOR PRODUCT SPECIFICATIONS. CLICK HERE

EMERSON

3RD ANGLE

SIZE D SCALE NTS

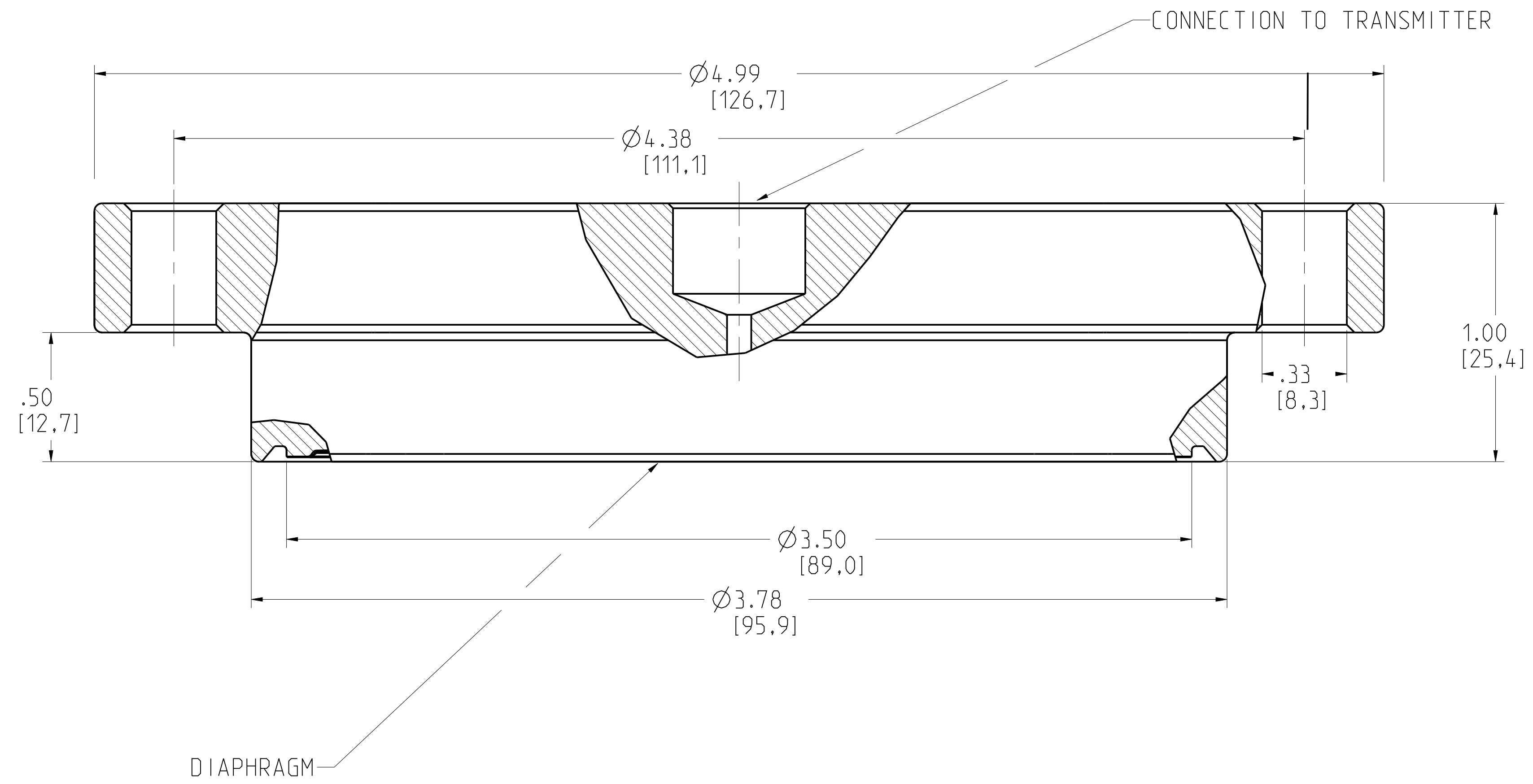
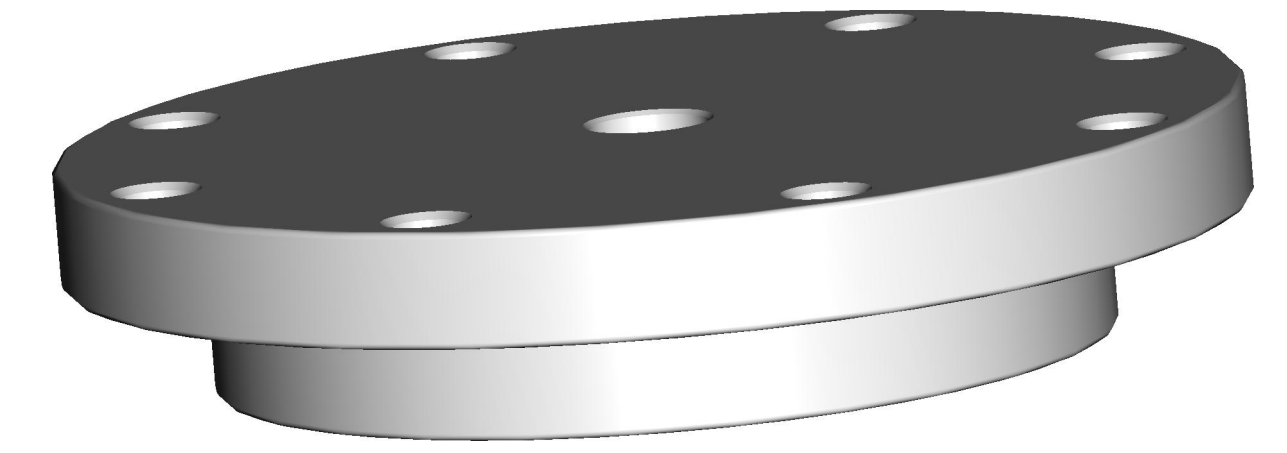
TITLE ROSEMOUNT 1199 SEALS TYPE I DRAWING

DR. J. ARMSTRONG 3/7/17 DRAWING NO. 01199-9500

APP'D L.BRYANT 3/7/17

CAD MAINTAINED (PRO/E) SHEET 37 OF 41

CHEMICAL TEE SEAL (CTW)



©2015 ROSEMOUNT INC.
ROSEMOUNT INC. ACCEPTS
THIS DRAWING AS IS. IT IS
NOT TO BE USED FOR
CONSTRUCTION OR
REPRODUCTION WITHOUT
ROSEMOUNT ENGINEERING
SPECIFICATIONS.
UNIT NOTES IN INCHES (mm).

REFERENCE ROSEMOUNT
PRODUCT SHEETS FOR
PRODUCT SPECIFICATIONS.
CLICK HERE

EMERSON

3RD ANGLE

SIZE D SCALE NTS

TITLE ROSEMOUNT 1199 SEALS
TYPE I DRAWING

DR. J. ARMSTRONG 3/7/17 DRAWING NO. 01199-9500

APP'D L.BRYANT 3/7/17

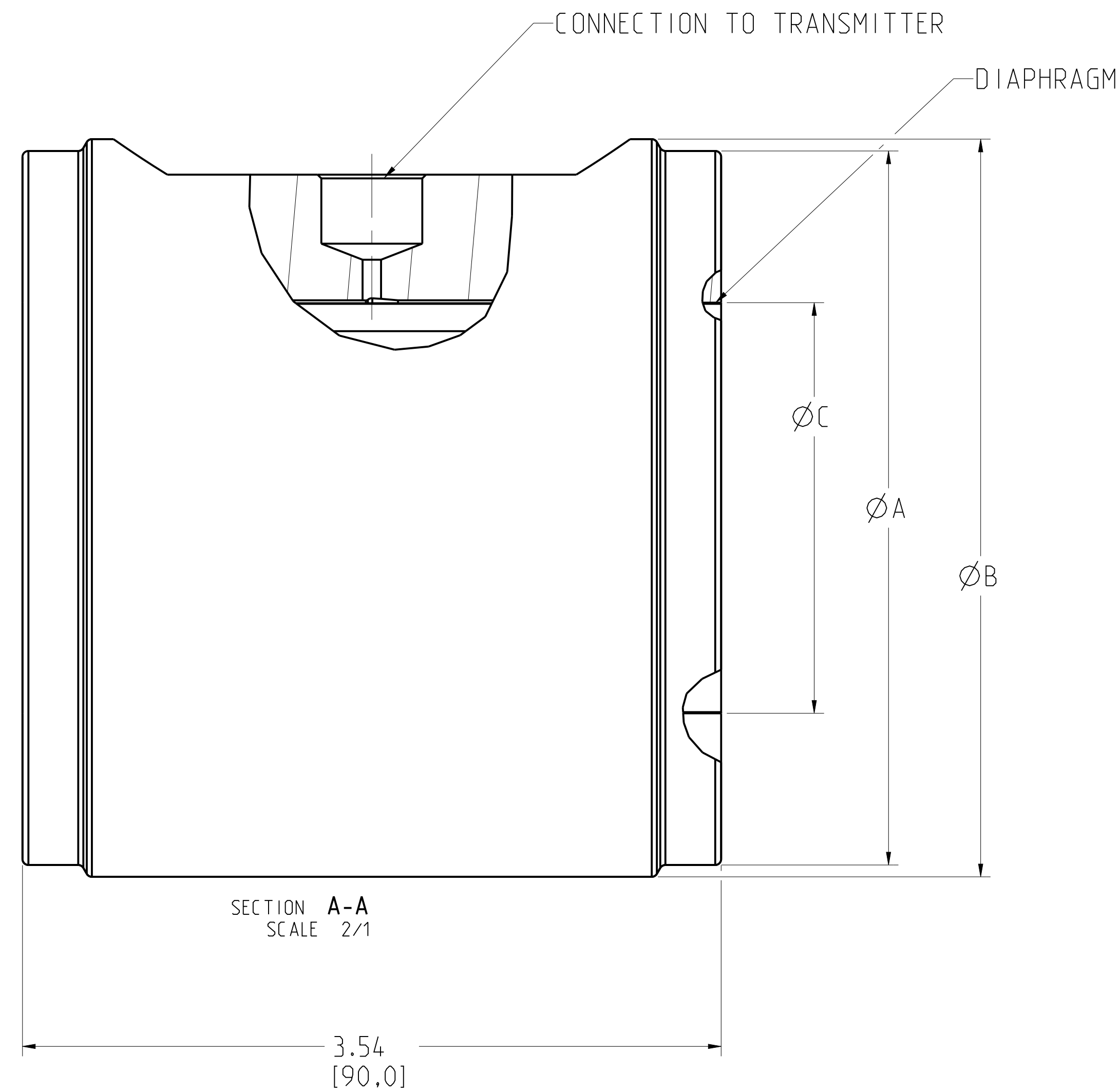
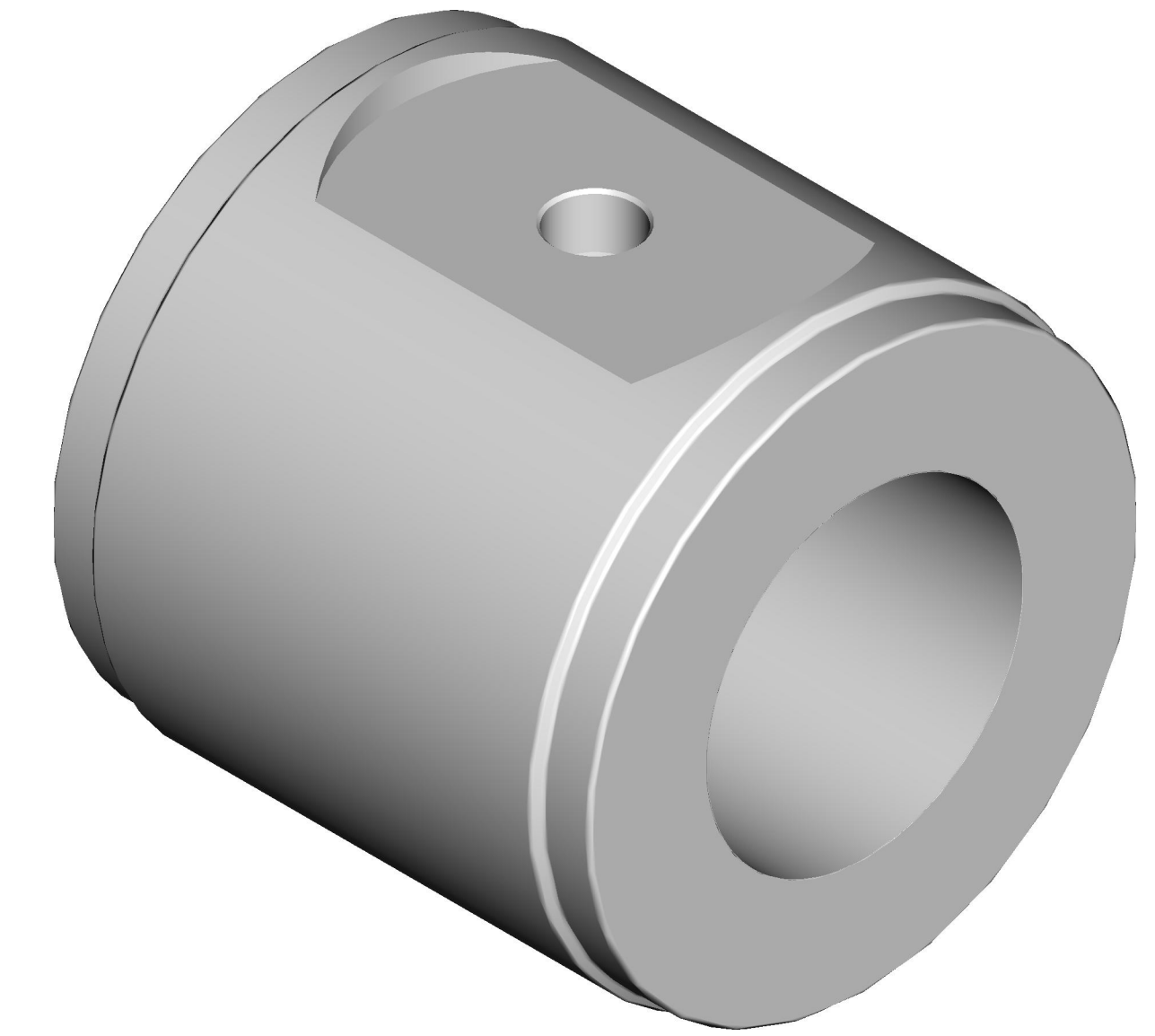
CAD MAINTAINED (PRO/E) SHEET 38 OF 41

1 2 3 4 5 6 7 8 9 10 11 12 13 14 15 16

A

WAFER STYLE IN-LINE SEAL (TFS)

	PIPE SIZE	FLANGE FACE DIAMETER "A"	OUTER DIAMETER "B"	INNER DIAMETER "C"
ASME 16.5	1"	2.00 (51)	2.64 (67)	1.09 (28)
	1-1/2"	2.88 (73)	3.23 (82)	1.61 (41)
	2"	3.62 (92)	3.74 (95)	2.07 (52)
	2-1/2"	4.12 (105)	4.21 (107)	2.48 (63)
	3"	5.00 (127)	5.00 (127)	3.07 (78)
EN1092-1	4"	6.19 (157)	6.19 (157)	4.00 (102)
	DN25	2.68 (68)	2.72 (69)	1.09 (28)
	DN40	3.46 (88)	3.46 (88)	1.61 (41)
	DN50	4.02 (102)	4.09 (104)	1.99 (51)
	DN80	5.43 (138)	5.47 (139)	3.24 (82)
	DN100	6.38 (162)	6.46 (164)	4.22 (107)



DIMENSIONS IN INCHES (MILLIMETERS)

©2015 ROSEMOUNT, INC. ROSEMOUNT INC. ACCEPTS THIS DRAWING AS IS IN ACCORDANCE WITH ROSEMOUNT ENGINEERING SPECIFICATIONS. UNIT NOTES IN INCHES (mm).

REFERENCE ROSEMOUNT PRODUCT SHEETS FOR PRODUCT SPECIFICATIONS. CLICK HERE

EMERSON

3RD ANGLE

SIZE D SCALE NTS

TITLE ROSEMOUNT 1199 SEALS TYPE I DRAWING

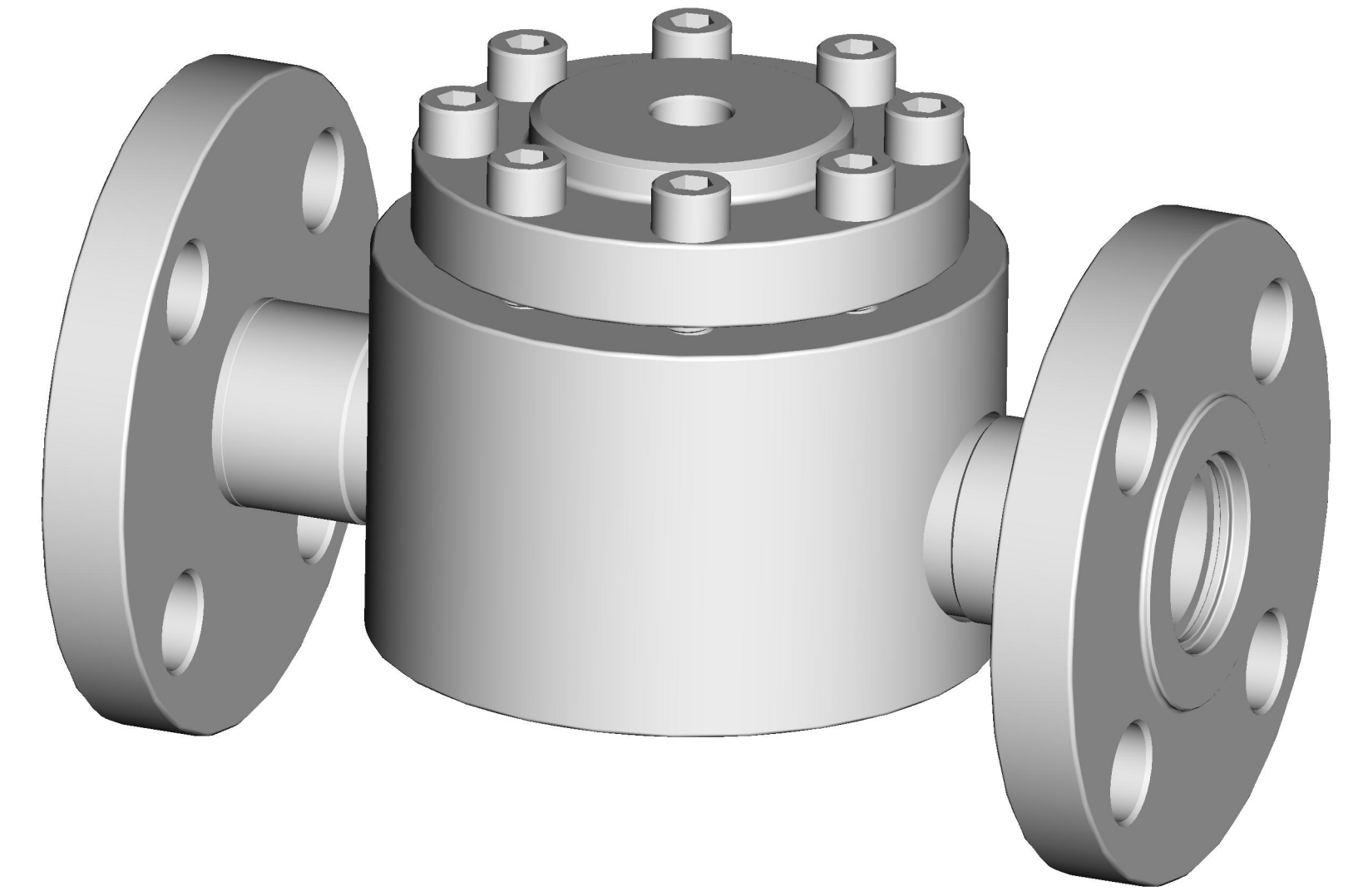
DR. J. ARMSTRONG 3/7/17 DRAWING NO. 01199-9500

APP'D L.BRYANT 3/7/17

CAD MAINTAINED. (PRO/E) SHEET 39 OF 41

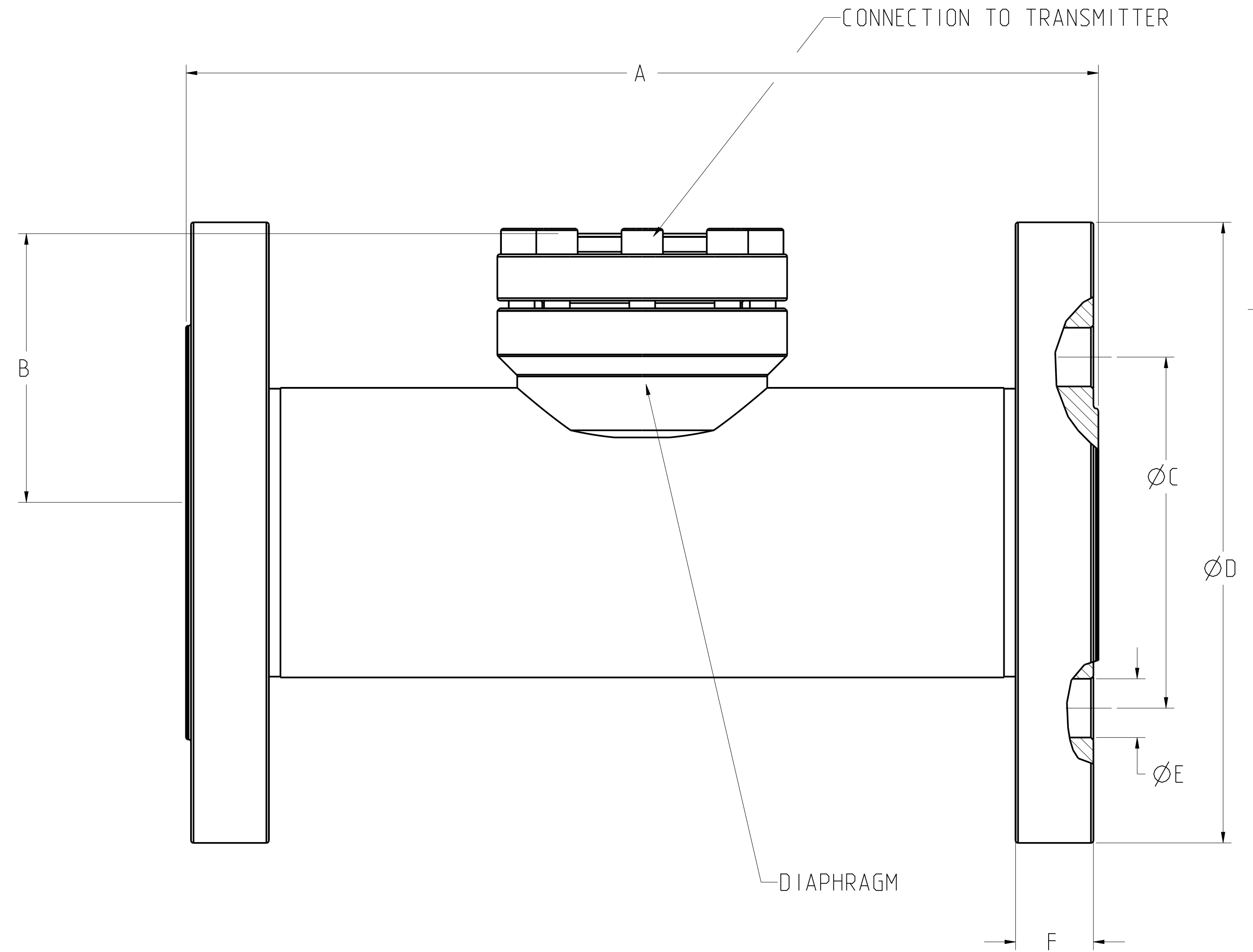
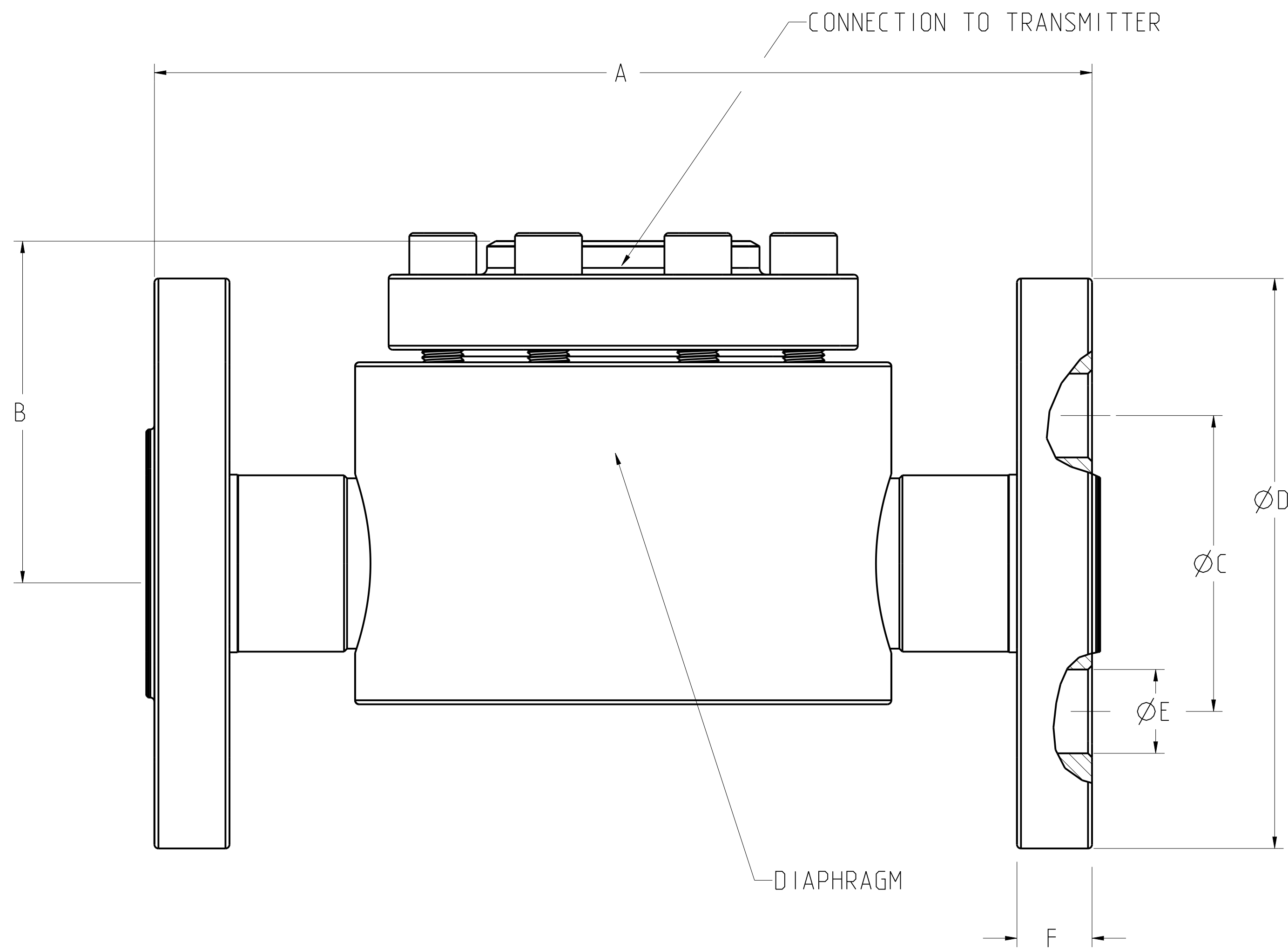
**FLOW-THRU FLANGED SEAL
(WFW)**

	CLASS	NOMINAL PIPE SIZE	OVERALL LENGTH "A"	UPPER TO CENTERLINE HEIGHT "B"	BOLT CIRCLE DIAMETER "C"	OUTSIDE DIAMETER "D"	BOLT HOLE DIAMETER "E"	FLANGE THICKNESS "F"
ASME B16.5	150#	1"	7.00 (178)	2.40 (61)	3.12 (79)	4.25 (108)	0.62 (16)	0.50 (13)
		2"	9.00 (229)	3.31 (84)	4.75 (121)	6.00 (152)	0.75 (19)	0.69 (18)
		3"	11.00 (279)	3.61 (92)	6.00 (152)	7.50 (191)	0.75 (19)	0.88 (22)



"1" AND "2" SIZES

3" SIZE



DIMENSIONS IN INCHES (MILLIMETERS)

©2015 ROSEMOUNT, INC. ROSEMOUNT INCORPORATES THIS INFORMATION IN THIS DOCUMENT IN ACCORDANCE WITH ROSEMOUNT ENGINEERING SPECIFICATIONS. UNIT NOTES IN INCHES (mm).

REFERENCE ROSEMOUNT PRODUCT SHEETS FOR PRODUCT SPECIFICATIONS. CLICK HERE

EMERSON

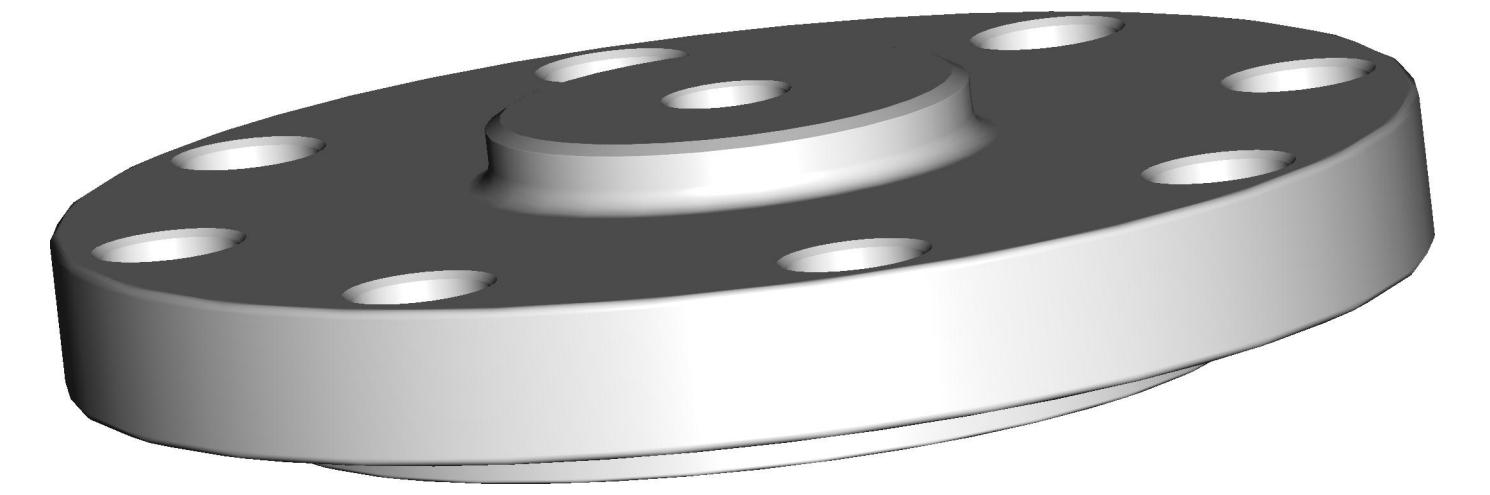
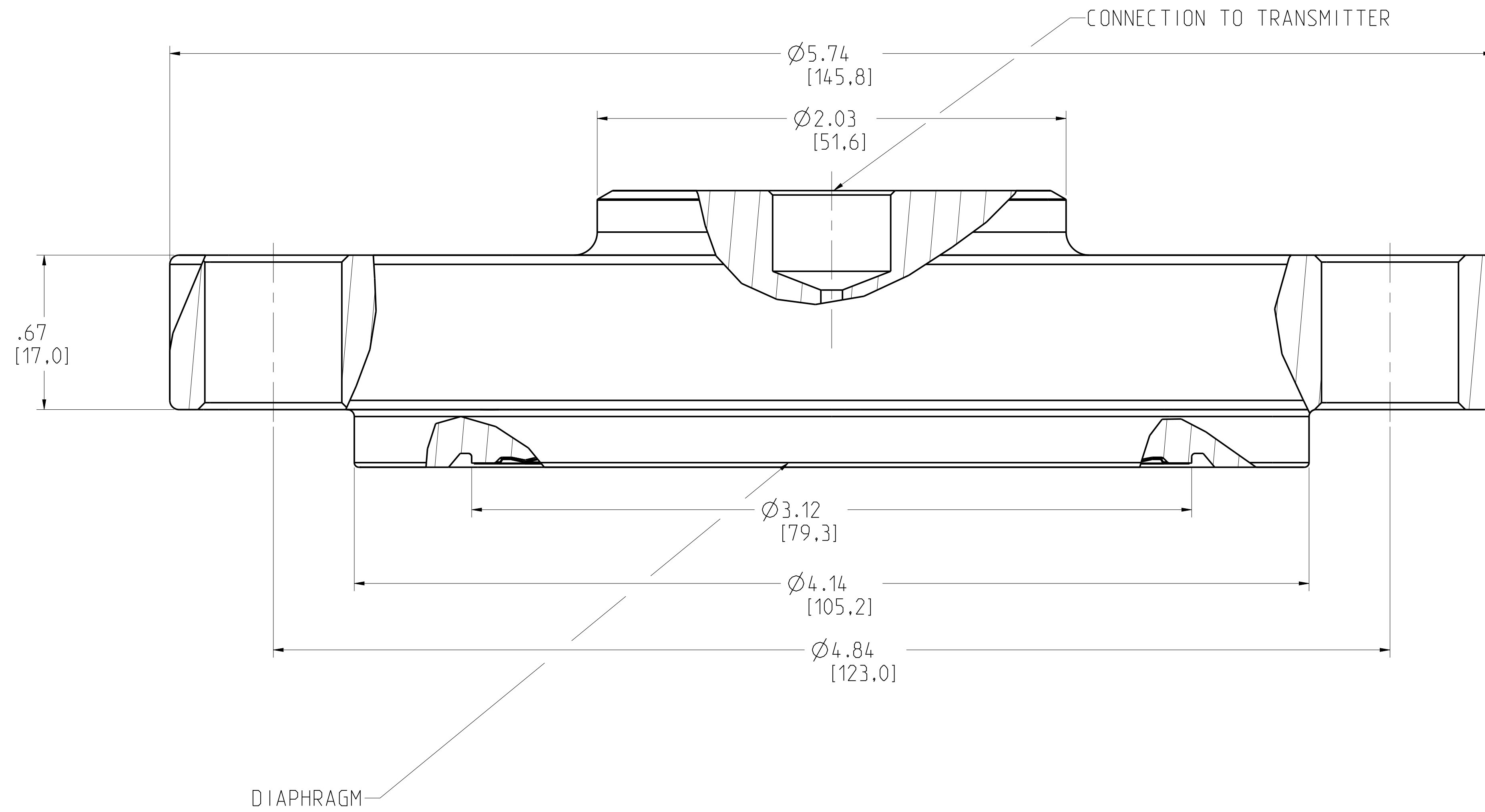
TITLE ROSEMOUNT 1199 SEALS TYPE I DRAWING

DR. J. ARMSTRONG 3/7/17 DRAWING NO. 01199-9500

APP'D L.BRYANT 3/7/17

CAD MAINTAINED (PRO/E) SHEET 400F 41

DOW UNIVERSAL SEAL (AFW)



©2015 ROSEMOUNT INC. ROSEMOUNT INC. ACCEPTS THIS DRAWING AS IS, WITHOUT WARRANTY, IN ACCORDANCE WITH ROSEMOUNT ENGINEERING SPECIFICATIONS. UNIT NOTES IN INCHES (mm).

REFERENCE ROSEMOUNT PRODUCT SHEETS FOR PRODUCT SPECIFICATIONS. CLICK HERE

CAD MAINTAINED. (PRO/E)

3RD ANGLE

EMERSON

TITLE ROSEMOUNT 1199 SEALS TYPE I DRAWING

DR. J. ARMSTRONG 3/7/17 DRAWING NO. 01199-9500

APP'D L.BRYANT 3/7/17

SIZE D SCALE NTS

SHEET 41 OF 41