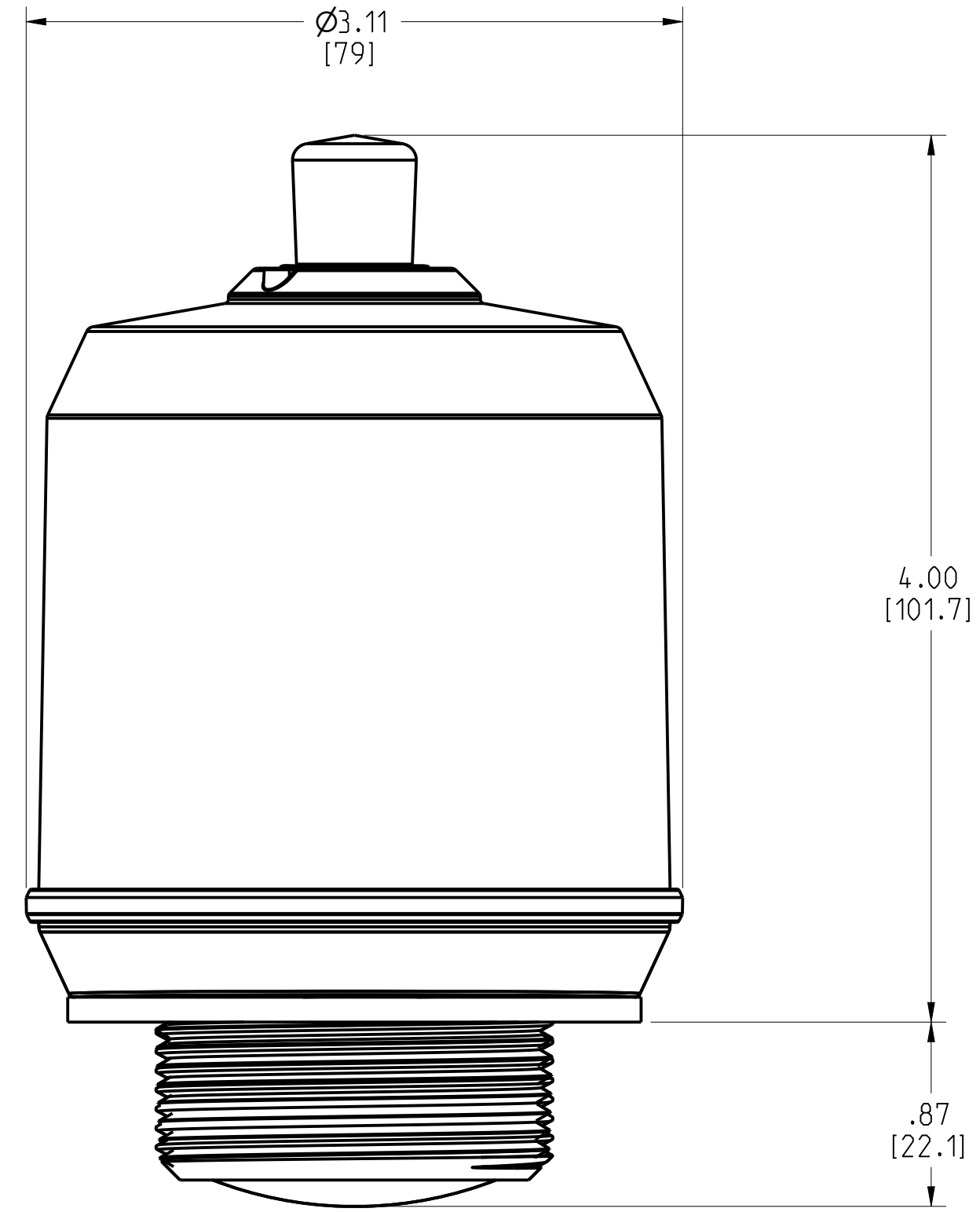
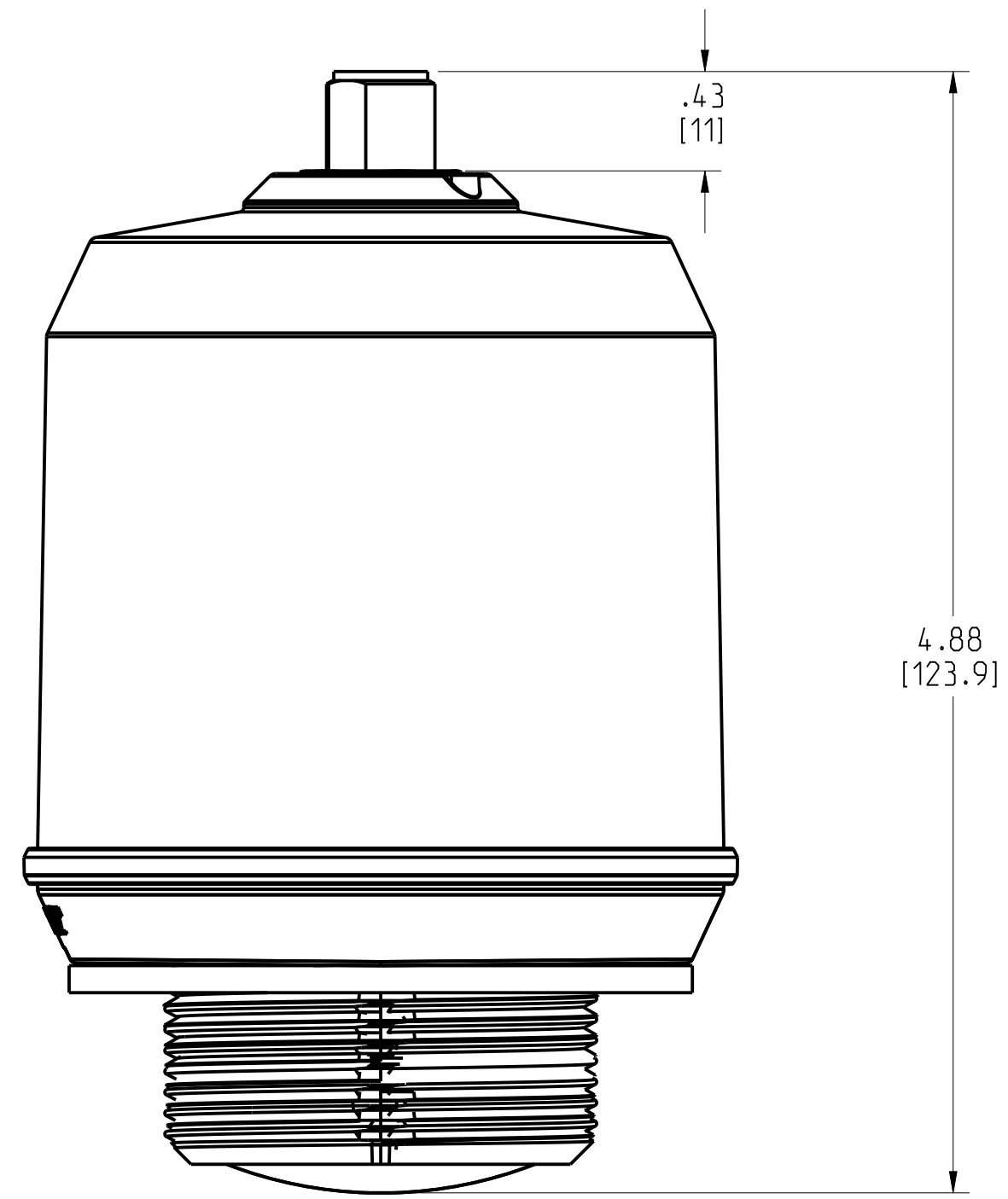


ROSEMOUNT 1208A LEVEL TRANSMITTER

REVISION TABLE			
REVISION	ECO NO.	APP'D	DATE
AA	RTC1079303	J. SANDAHL	6/13/22
DESCRIPTION			
NEW RELEASE			

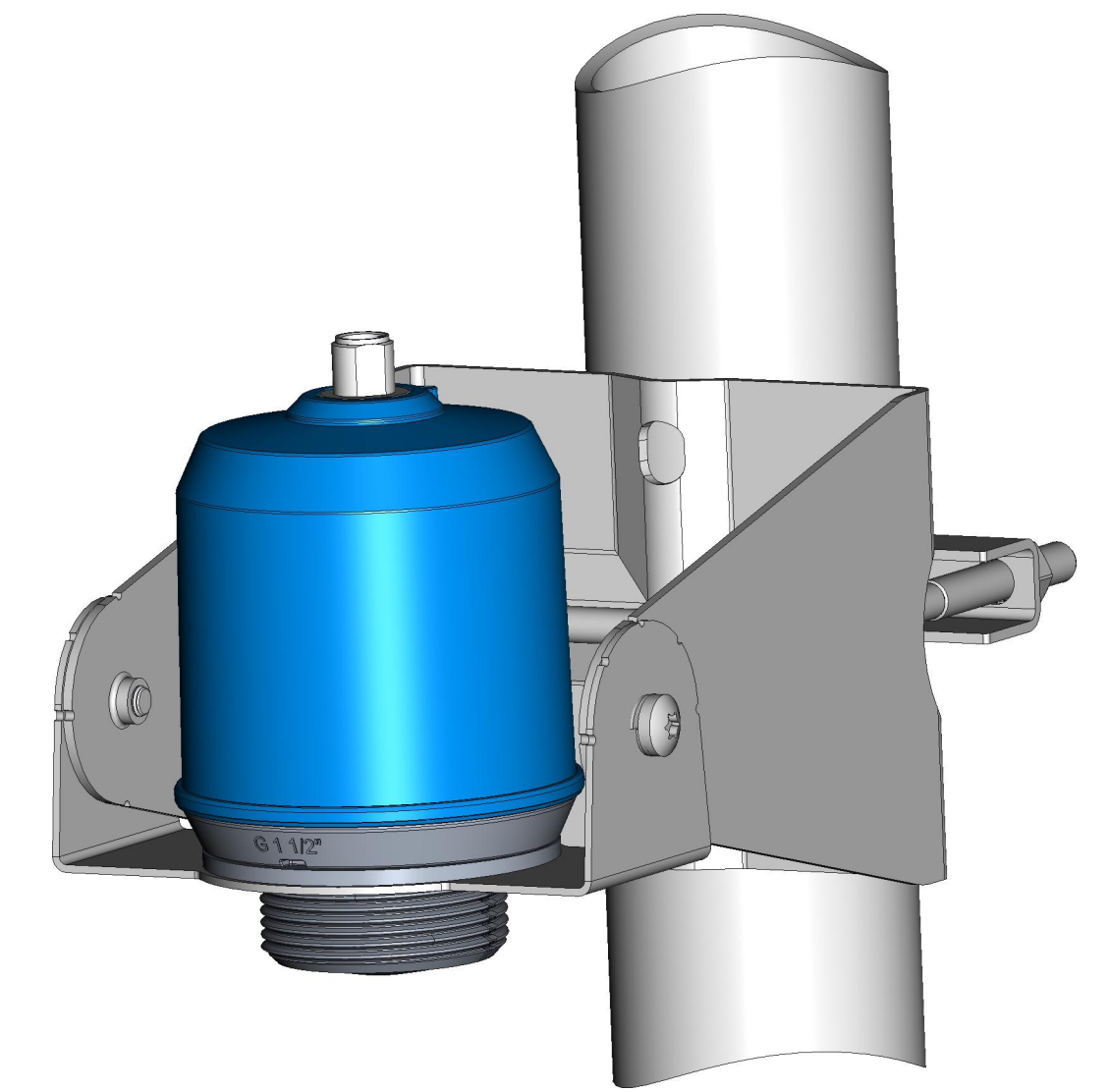
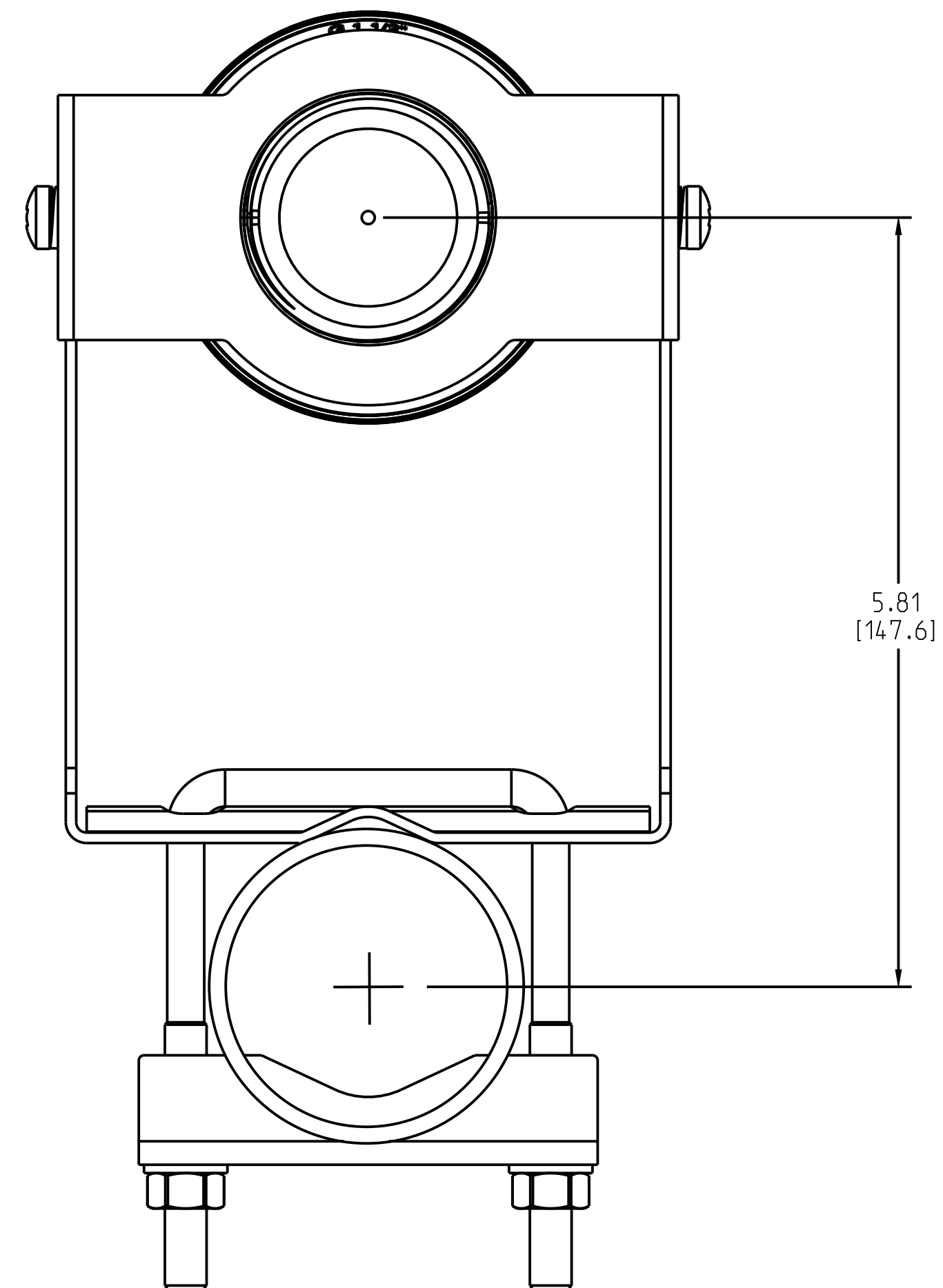
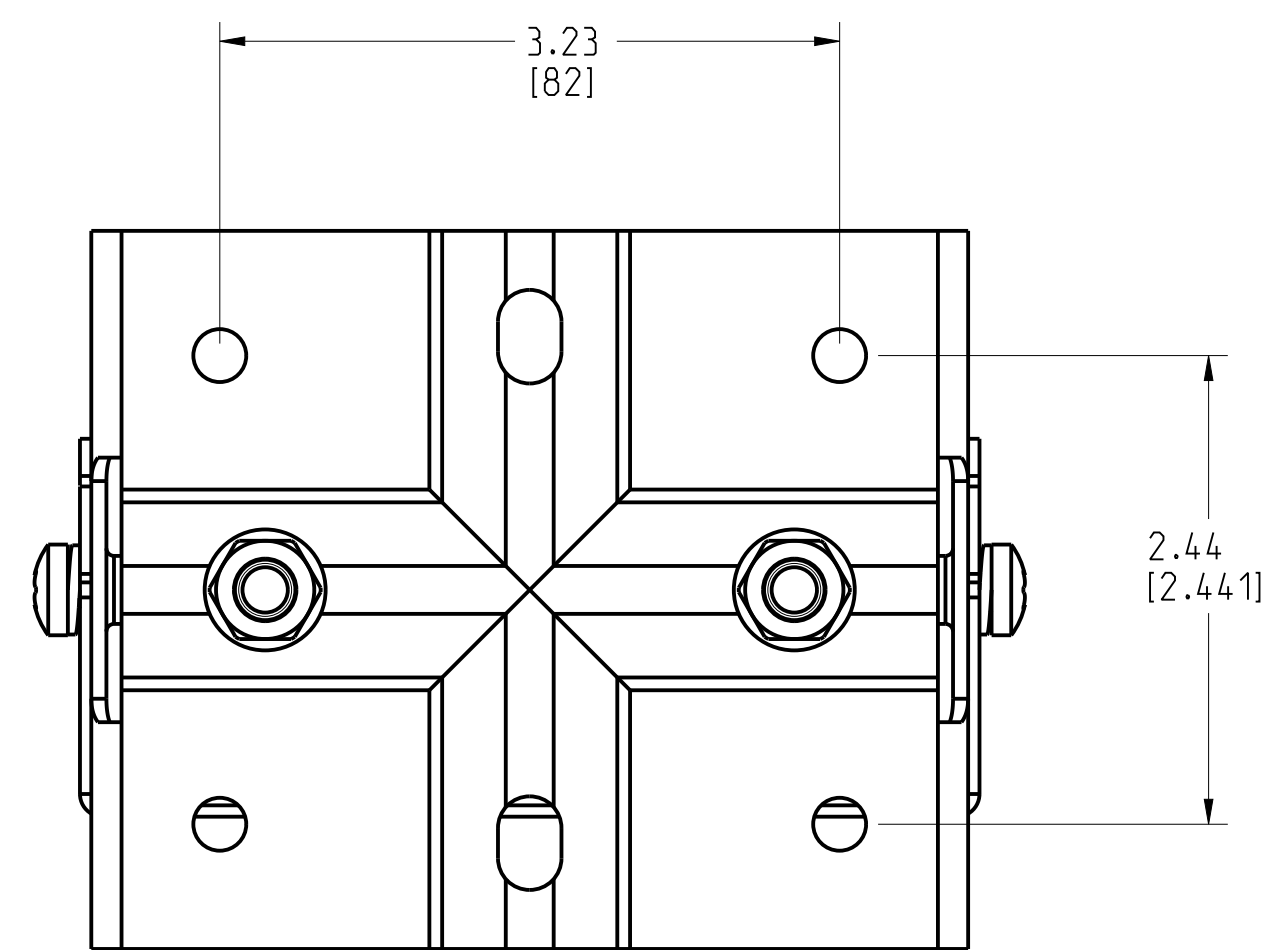
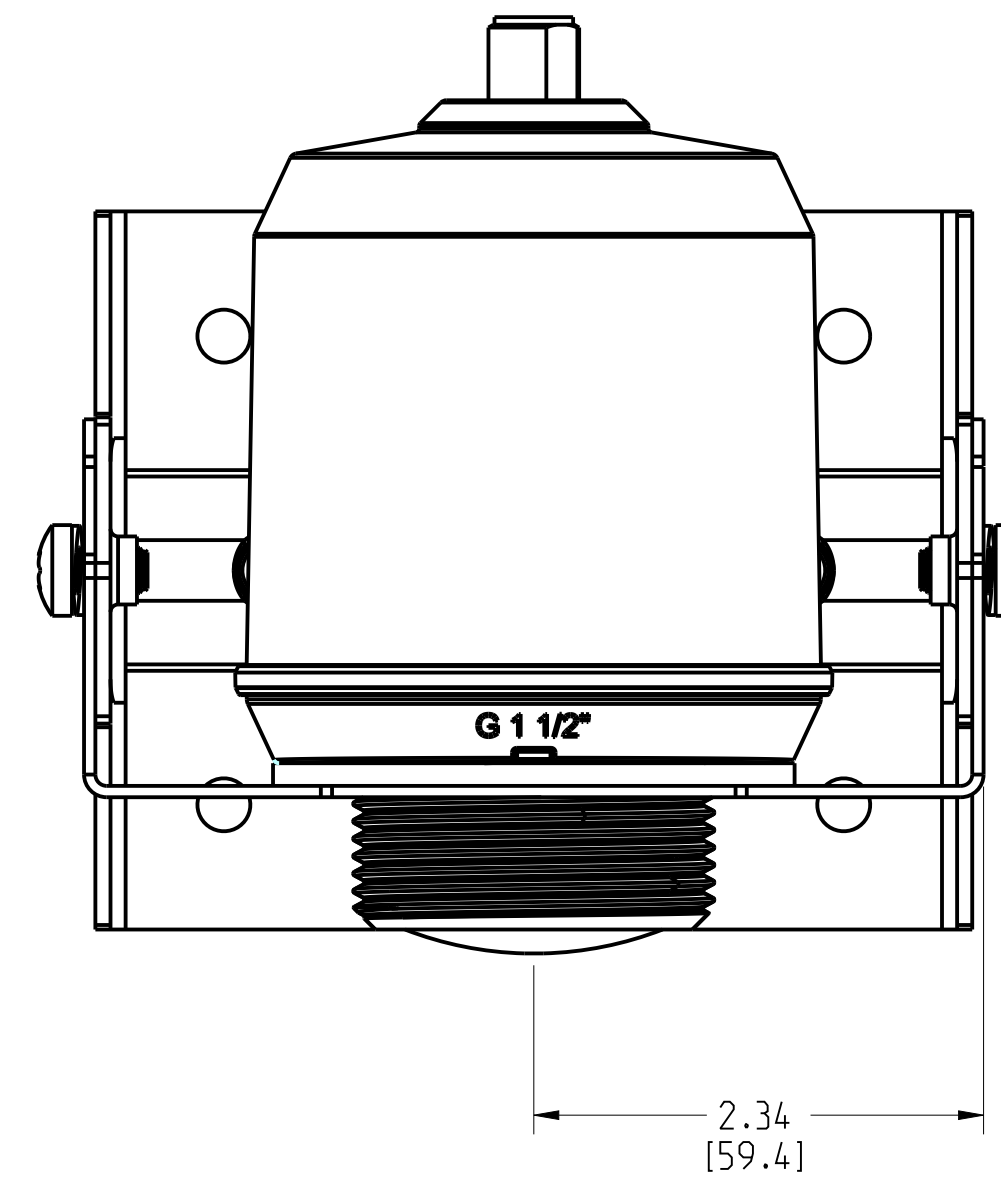
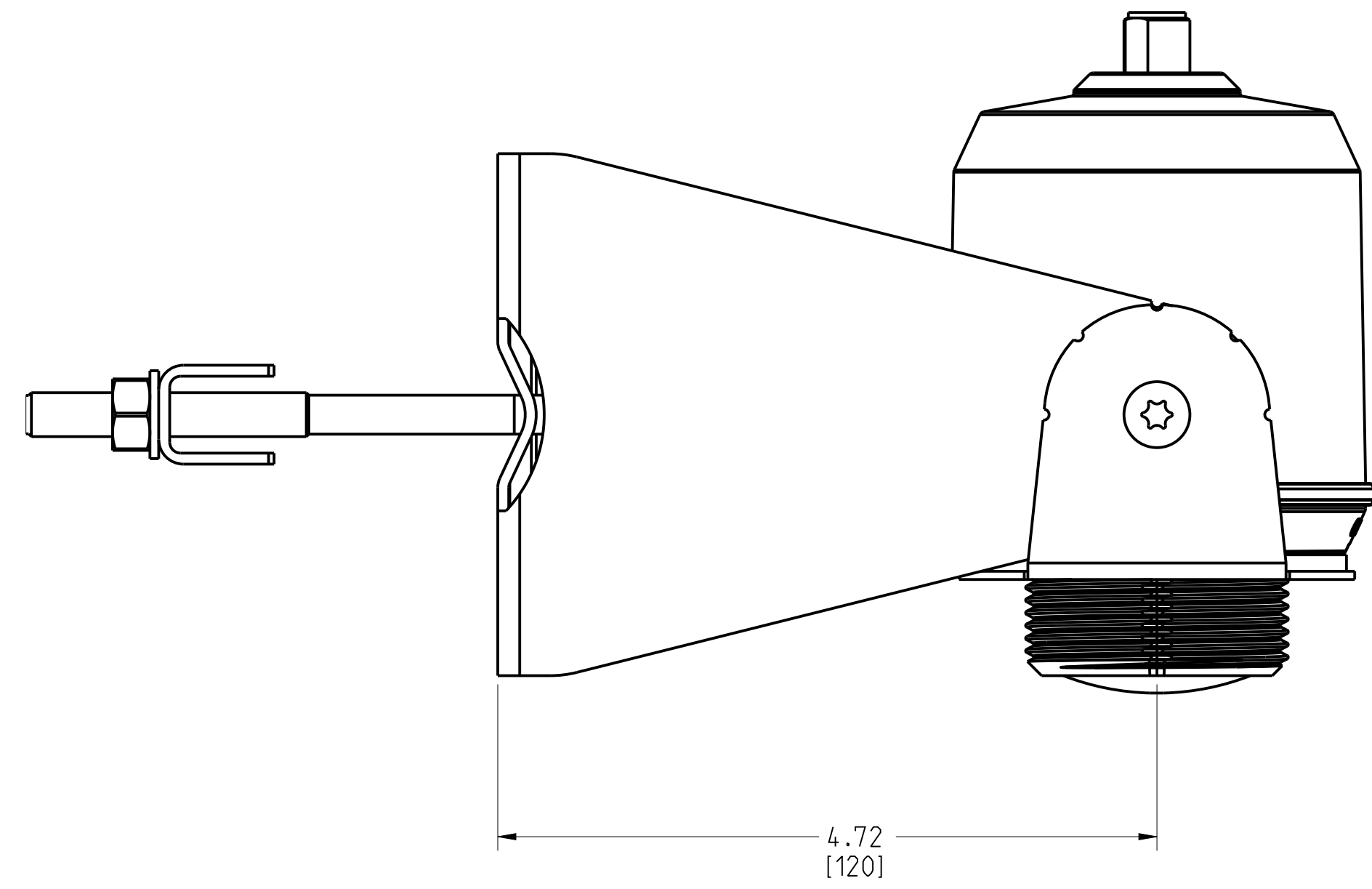


©2015 ROSEMOUNT, INC.
 ROSEMOUNT INCORPORATES
 THIS DRAWING AS PART OF
 THE PRODUCT OFFERED IN
 ACCORDANCE WITH
 ROSEMOUNT ENGINEERING
 SPECIFICATIONS.
 UNIT NOTES IN INCHES (mm).

REFERENCE ROSEMOUNT
 PRODUCT SHEETS FOR
 PRODUCT SPECIFICATIONS.
 CLICK HERE

		3RD ANGLE		SIZE	SCALE
EMERSON		D		D	NTS
ROSEMOUNT 1208 LEVEL TRANS. TYPE I DRAWING					
DR. J. ARMSTRONG	5/16/22	DRAWING NO.		01208-7000	
APP'D J. SANDAHL	5/16/22				
CAD MAINTAINED (PRO/E)				SHEET 1 OF 4	

ROSEMOUNT 1208 LEVEL TRANSMITTER WITH MOUNTING BRACKET



©2015 ROSEMOUNT, INC.
 ROSEMOUNT INC. ACCEPTS
 LIABILITY FOR THE INFORMATION
 CONTAINED HEREIN IN
 ACCORDANCE WITH
 ROSEMOUNT ENGINEERING
 SPECIFICATIONS.
 UNIT NOTES IN INCHES (mm).

REFERENCE ROSEMOUNT
 PRODUCT SHEETS FOR
 PRODUCT SPECIFICATIONS.
 CLICK HERE

DR. J. ARMSTRONG | 5/16/22 | DRAWING NO. | 01208-7000

APP'D J. SANDAHL | 5/16/22

CAD MAINTAINED (PRO/E)

3RD ANGLE

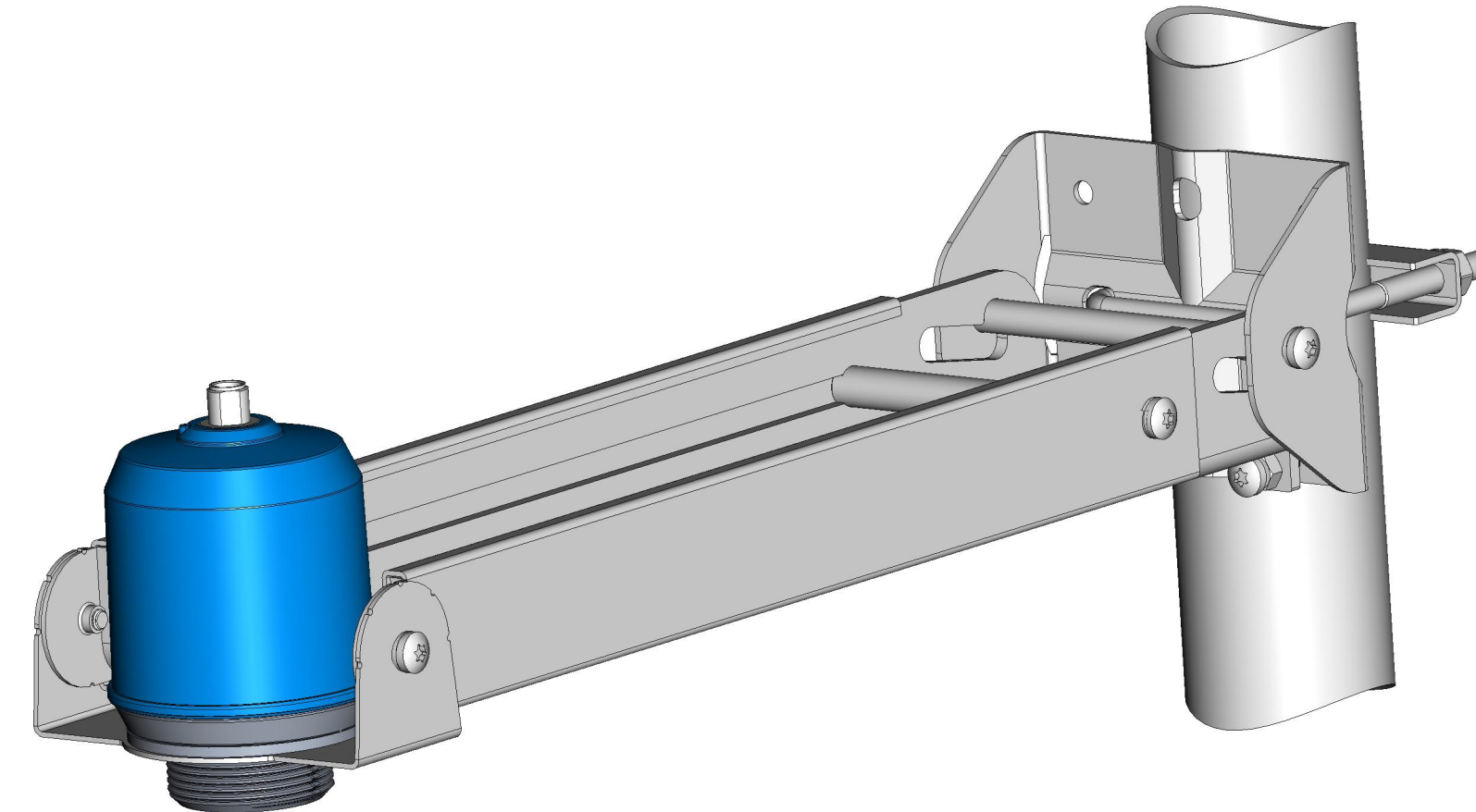
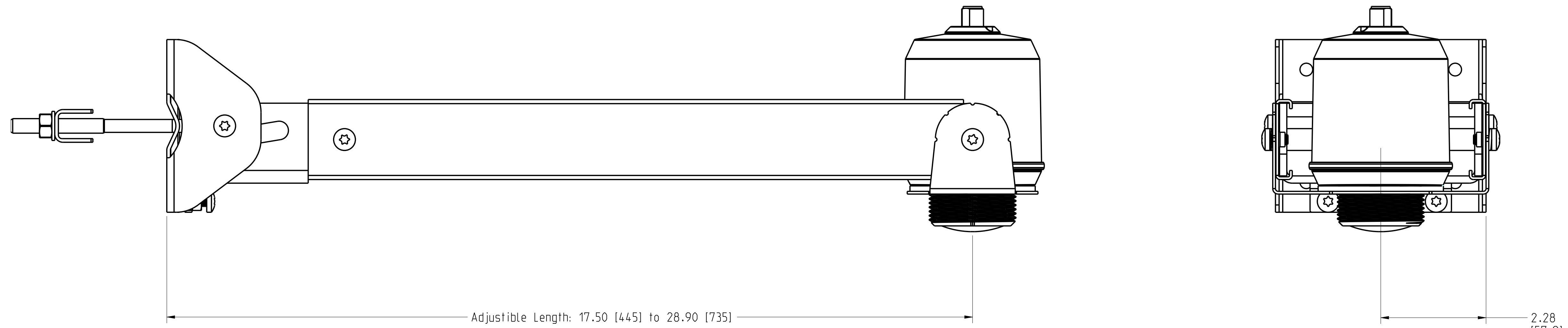
EMERSON

ROSEMOUNT 1208 LEVEL TRANS.
 TYPE I DRAWING

SIZE D | SCALE NTS

SHEET 2 OF 4

ROSEMOUNT 1208A LEVEL TRANSMITTER WITH EXTENDED MOUNTING BRACKET



©2015 ROSEMOUNT, INC.
ROSEMOUNT INCORPORATES
THIS INFORMATION IN
ACCORDANCE WITH
ROSEMOUNT ENGINEERING
SPECIFICATIONS.
UNIT NOTES IN INCHES (mm).

REFERENCE ROSEMOUNT
PRODUCT SHEETS FOR
PRODUCT SPECIFICATIONS.
CLICK HERE

EMERSON

ROSEMOUNT 1208 LEVEL TRANS.
TYPE I DRAWING

DR. J. ARMSTRONG 5/16/22 DRAWING NO. 01208-7000

APP'D J. SANDAHL 5/16/22

CAD MAINTAINED. (PRO/EI) SHEET 3 OF 4

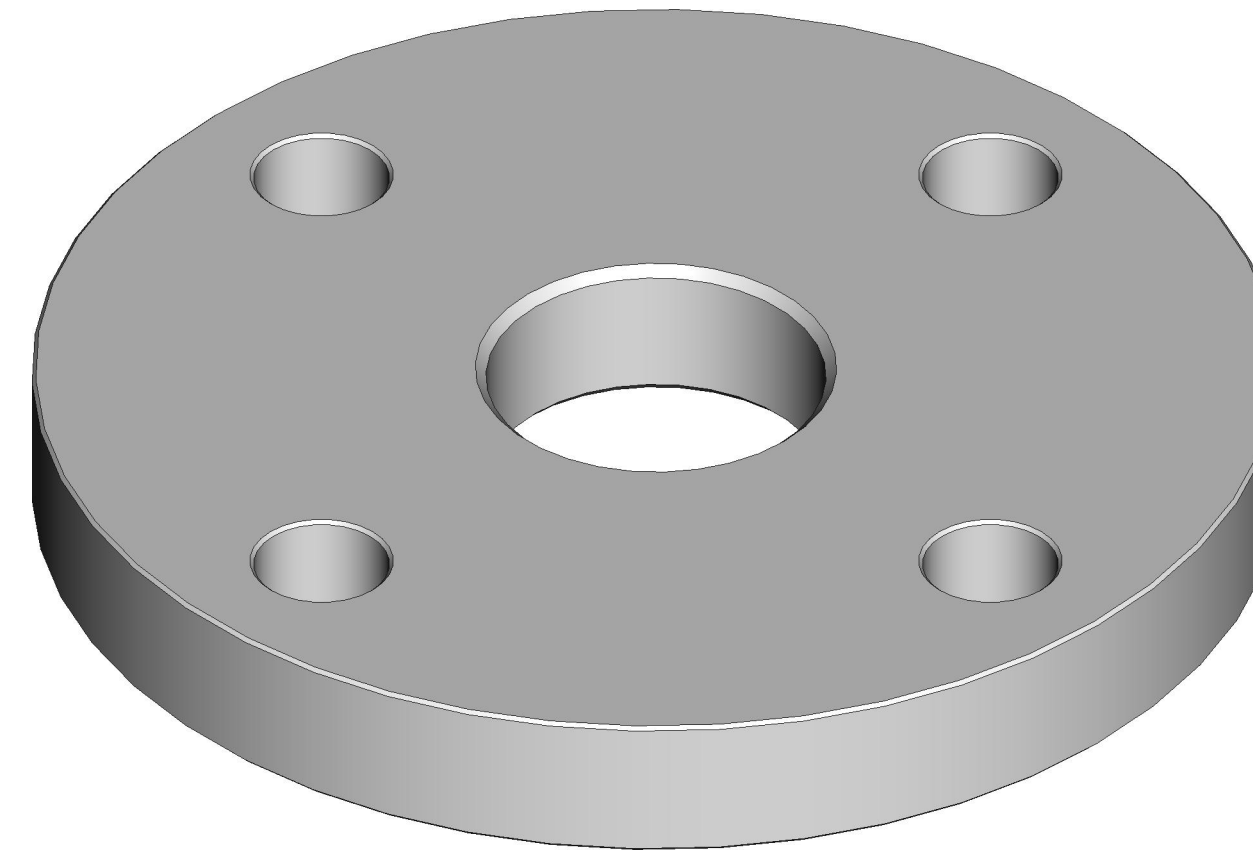
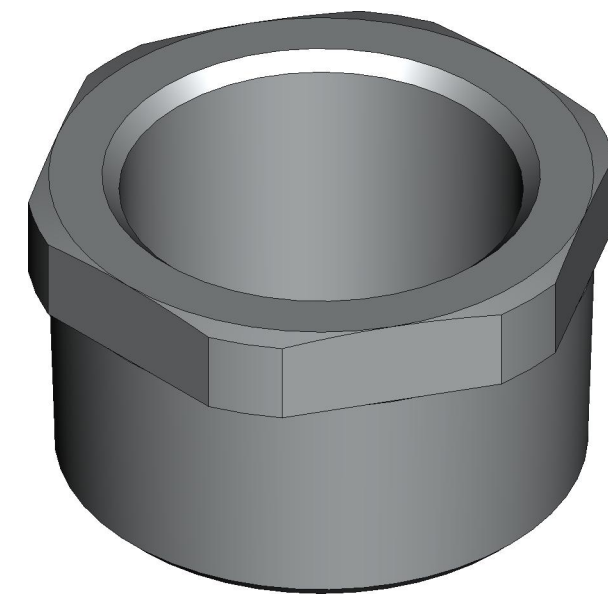
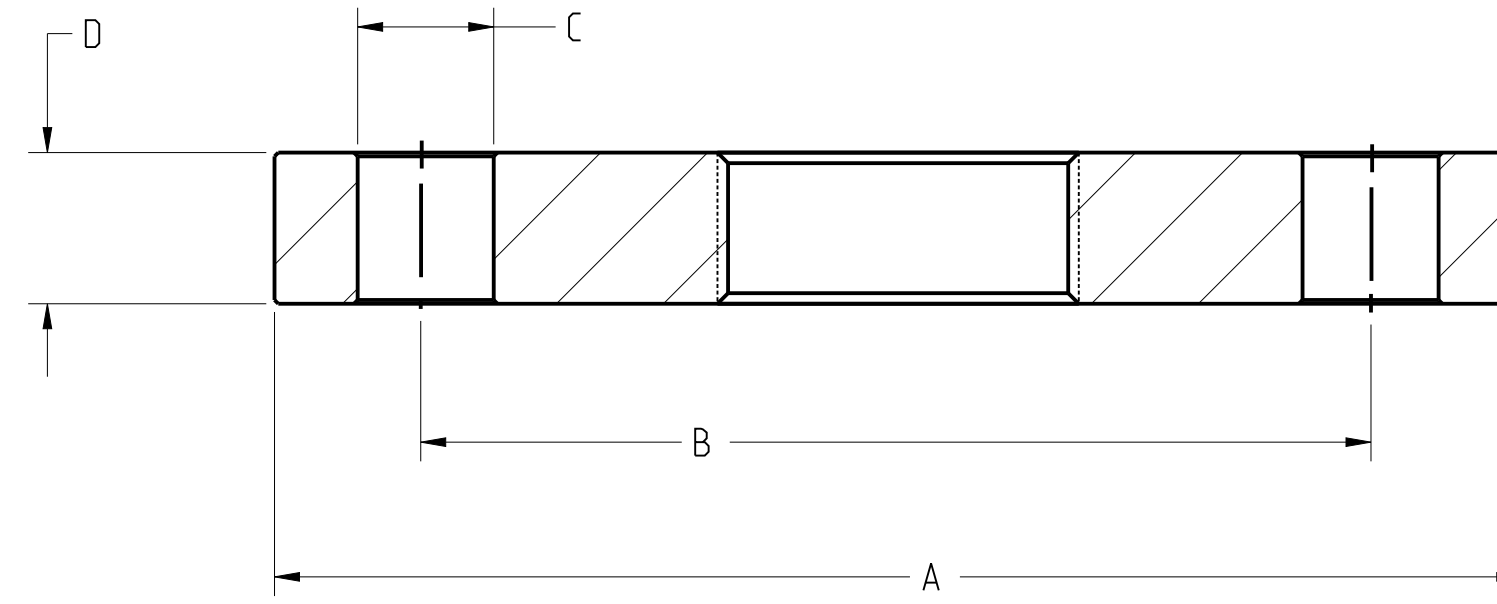
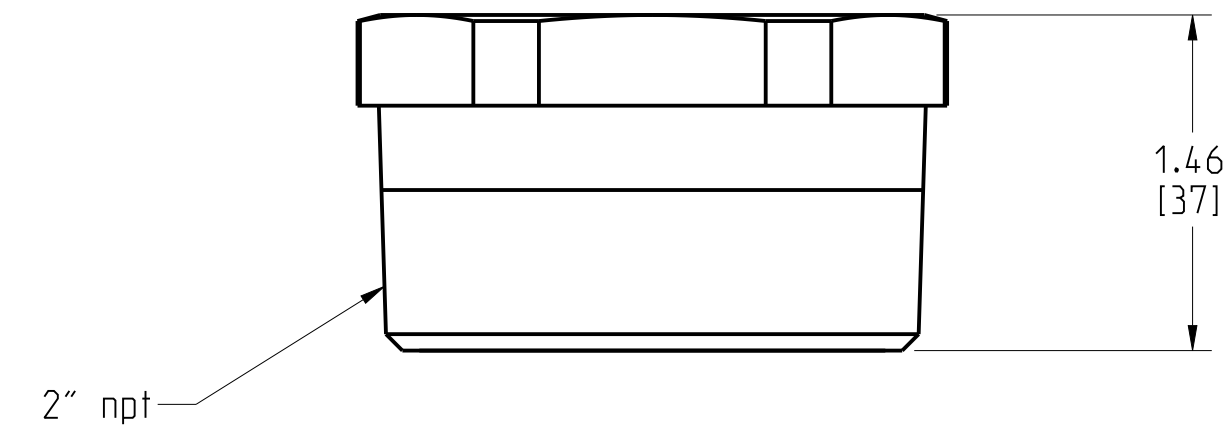
3RD ANGLE

SIZE D

SCALE NTS

PROCESS CONNECTIONS

**ADAPTER NPT
2"-1, 5**



SIZE	A	B	C	D
DN50 PN10/PN16	6.49 [165]	4.92 [125]	.71 [18]	4-HOLE .91 [23]
DN80 PN10/PN16	7.87 [200]	6.29 [160]	.71 [18]	8-HOLE .91 [23]
DN100 PN10/PN16	8.66 [220]	7.09 [180]	.71 [18]	8-HOLE .91 [23]
2"-150#	6.00 [152.6]	4.75 [120.6]	.75 [19.05]	4-HOLE .91 [23]
3"-150#	7.50 [190.5]	6.00 [152.6]	.75 [19.05]	4-HOLE .91 [23]
4"-150#	9.00 [228.6]	7.50 [190.5]	.75 [19.05]	8-HOLE .91 [23]

©2015 ROSEMOUNT, INC.
ROSEMOUNT INC. RESERVES
ALL RIGHTS. THIS DRAWING IS
THE PROPERTY OF ROSEMOUNT
AND IS TO BE USED ONLY IN
CONFORMANCE WITH
ROSEMOUNT ENGINEERING
SPECIFICATIONS.
UNIT NOTES IN INCHES (mm).

REFERENCE ROSEMOUNT
PRODUCT SHEETS FOR
PRODUCT SPECIFICATIONS.
CLICK HERE

3RD ANGLE

EMERSON

ROSEMOUNT 1208 LEVEL TRANS.
TYPE I DRAWING

DR. J. ARMSTRONG | 5/16/22 | DRAWING NO. 01208-7000

APP'D J. SANDAHL | 5/16/22

CAD MAINTAINED (PRO/EI) | SHEET 4 OF 4