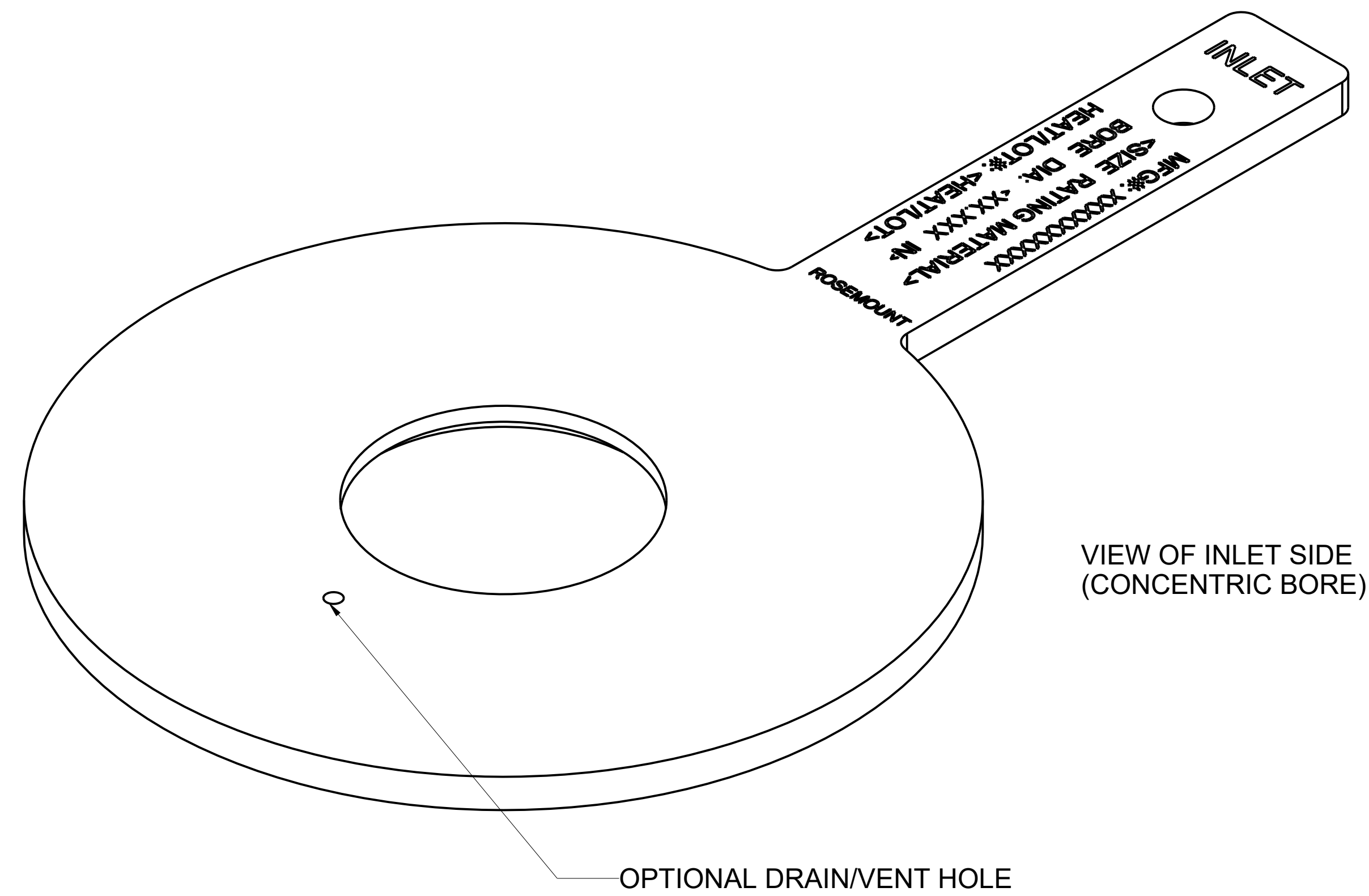


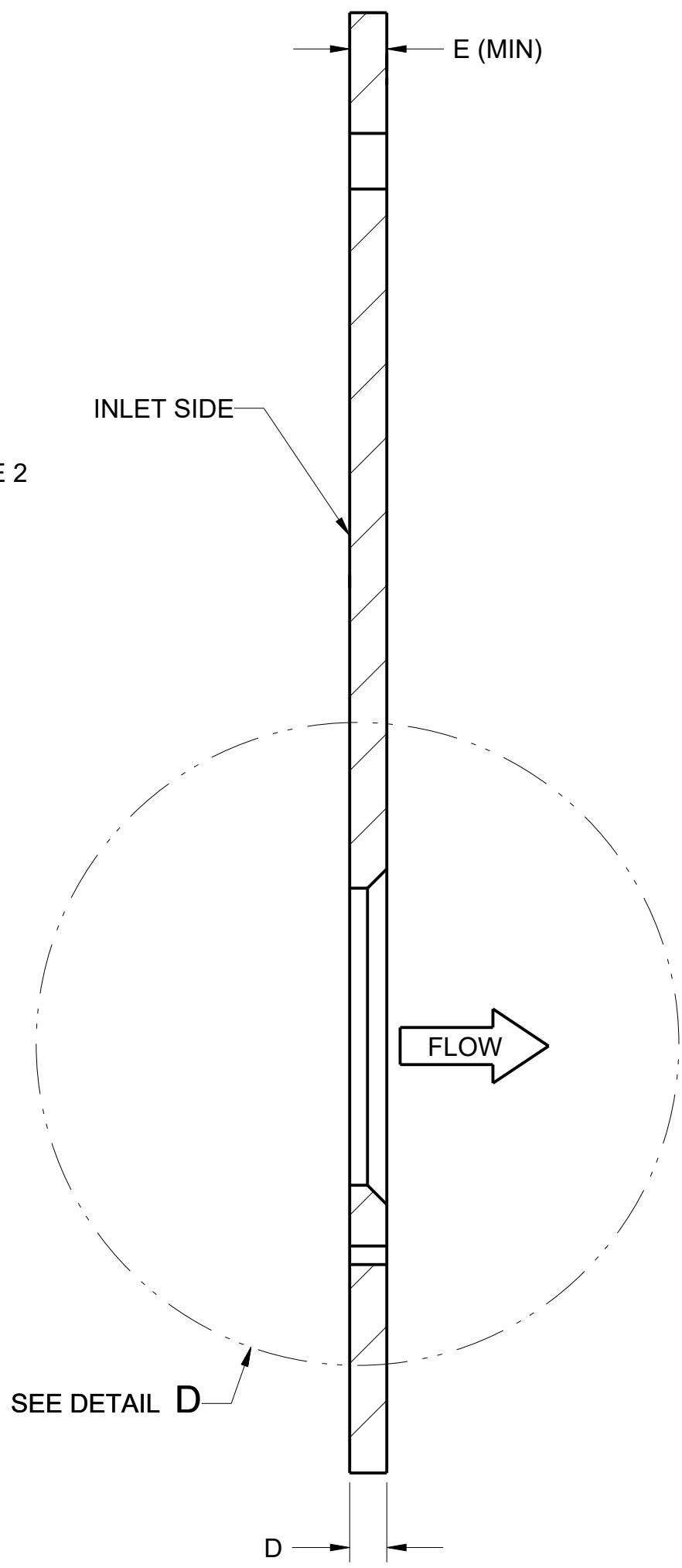
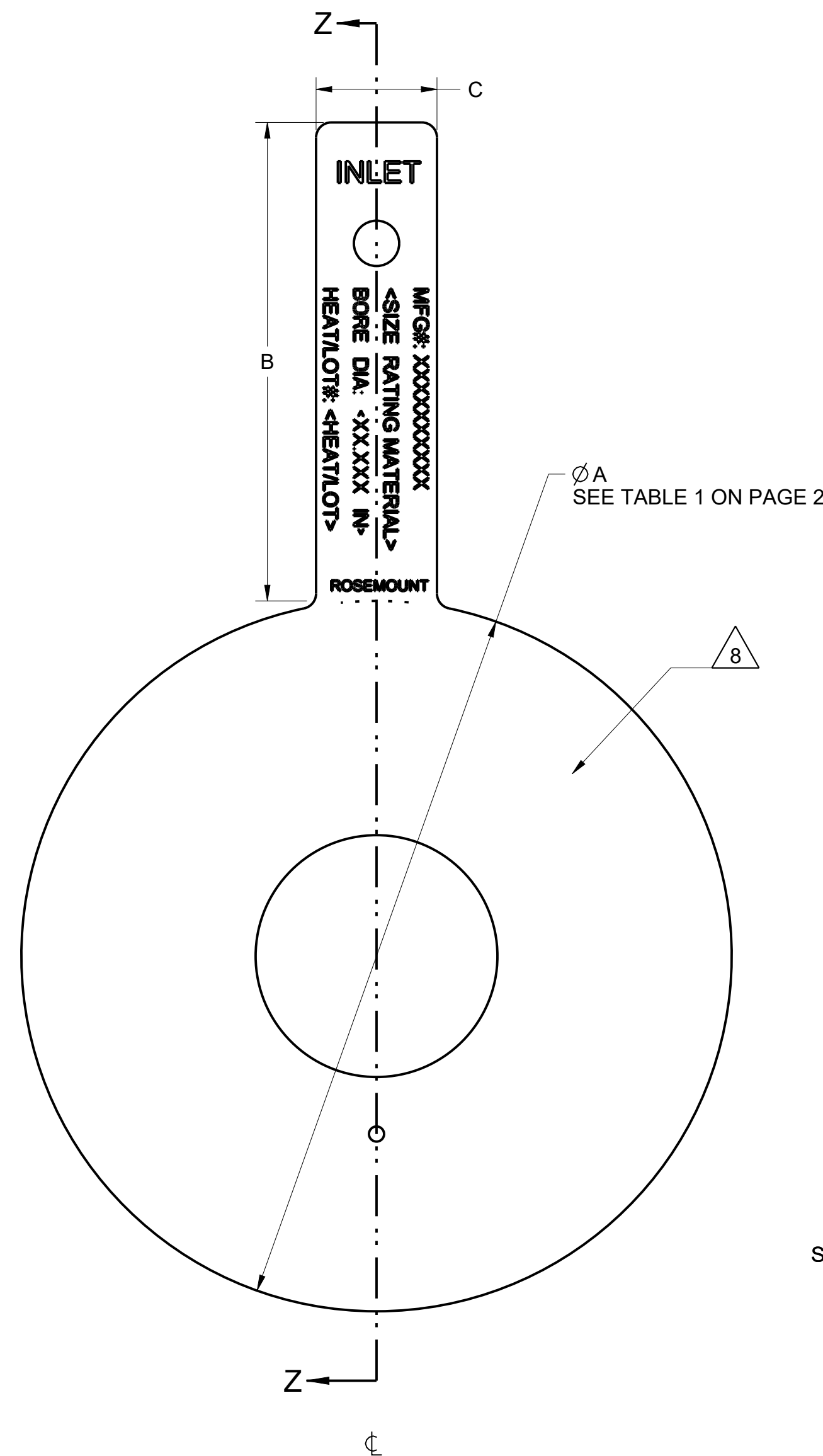
TABLE 1: MATERIALS OF CONSTRUCTION						
COMPONENT	STANDARD	MATERIAL DESCRIPTION				
		304/304L STAINLESS STEEL	316/316L STAINLESS STEEL	316Ti STAINLESS STEEL	ALLOY 400	ALLOY C276
ORIFICE PLATE	ASTM	A240 304/304L	A240 316/316L	A240 316Ti (S31635)	B127 N04400	B575 N10276
	EN	EN 10088-2 1.4301/ 1.4307	EN 10088-2 1.4401/ 1.4404	EN 10088-2 1.4571	N/A	N/A
TEMPERATURE RANGE	MIN	-325°F -198°C				
	MAX	1000°F 538°C		900°F 482°C		1250°F 677°C

REVISION TABLE			
REVISION	ECO NO.	APP'D	DATE
AE	DS11056685	NK	07/08/2021
DESCRIPTION			
Corrected OD dimension for 24" CL1500 to 35.500".			



- NOTES:
- ROSEMOUNT INC. CERTIFIES THIS DRAWING IS IN ACCORDANCE WITH ROSEMOUNT ENGINEERING SPECIFICATIONS AND ACCURATELY REPRESENTS THE EQUIPMENT FURNISHED.
 - ORIFICE PLATE ORIENTATION SHOWN FOR DETAIL ONLY. FOR ACTUAL RECOMMENDED LOCATION AND ORIENTATION REFER TO INSTALLATION INSTRUCTION MANUAL 00809-0100-4792 AND QUICK INSTALLATION GUIDE (QIG) 00825-0100-4792.
 - FOR MODEL SELECTIONS, MATERIALS, OPERATING LIMITS, AND OPTIONS, REFER TO ROSEMOUNT PRODUCT DATA SHEET.
 - ORIFICE FLANGES, STUDS, NUTS AND GASKETS ARE NOT INCLUDED WITH MODEL 1495 (REF. MODEL 1496).
 - IDENTIFICATION INFORMATION TO BE STAMPED ON UPSTREAM FACE OF HANDLE:
 - "INLET"
 - MANUFACTURER'S SERIAL NUMBER
 - BORE SIZE; LINE SIZE; FLANGE RATING
 - MATERIAL; HEAT NUMBER
 - FOR LINE SIZES 2" TO 24", ORIFICE PLATES MEET THE REQUIREMENTS OF:
 - AGA REPORT 3, PART 2, APRIL 2000 / API 14.3.2, 2000 / GPA 8185-00
 - ASME MFC-3M (2007)
 - ISO-5167-2 (2003)
 - THE RESTRICTION BORE (RO) DESIGN IS IDENTICAL TO THE STANDARD CONCENTRIC BORE DESIGN.
 - 1495PG PLATES ARE PROVIDED WITH A SERRATED SPIRAL FINISH THAT EXTENDS OUTWARD FROM A DIAMETER CORRESPONDING TO THE PIPE OD TO THE OD OF THE PLATE. THIS AREA IS FINISHED ON BOTH SIDES OF THE PLATE WITH A 125 – 250 MICRORINCH Ra [3.2 - 6.4] FINISH (45 – 55 GROOVES PER INCH). 1495PC ORIFICE PLATES ARE PROVIDED WITH A SMOOTH FINISH ACROSS THE ENTIRE PLATE SURFACE.

©2015 ROSEMOUNT INC. ROSEMOUNT INC. CERTIFIES THIS DRAWING AS BEING IN ACCORDANCE WITH ROSEMOUNT ENGINEERING SPECIFICATIONS. UNIT NOTES IN INCHES (mm). REFERENCE ROSEMOUNT PRODUCT SPECIFICATIONS. CAD MAINTAINED. (PRO/E)	3RD ANGLE		SIZE D	SCALE NTS
	ROSEMOUNT 1495P TYPE I DRAWING			
	DR. DMK 11/13/03	DRAWING NO.	01495-1001	
APP'D K. Green 12/20/03				SHEET 1 OF 4



SQUARE-EDGE CONCENTRIC BORE
(WITH AND WITHOUT VENT/DRAIN HOLE)

TABLE 2: DIMENSIONS OF ORIFICE PLATES FOR ASME B16.36/B16.5 RAISED FACE FLANGES

LINE SIZE	ORIFICE PLATE DIAMETER ('A' DIMENSION)						HANDLE DIMENSIONS			PLATE THICKNESS
	BY FLANGE CODE						E (MIN)	B	C	D
	A1 (150#)	A3 (300#)	A6 (600#)	A9 (900#)	AF (1500#)	AT (2500#)				
1/2" (DN15)	1.875 [47,60]	2.125 [54,00]			2.500 [63,50]	2.750 [69,90]	0.11 [2,8]	4.0 [100]	1.00 [25]	0.12 [3,2]
3/4" (DN20)	2.250 [57,20]	2.625 [66,70]			2.750 [69,90]	3.000 [76,20]				
1" (DN25)	2.625 [66,70]	2.875 [73,00]			3.125 [79,40]	3.375 [85,70]				
1-1/2" (DN40)	3.375 [85,70]	3.750 [95,30]			3.875 [98,40]	4.625 [117,5]				
2" (DN50)	4.125 [104,8]	4.375 [111,1]			5.625 [142,9]	5.750 [146,1]				
2-1/2" (DN65)	4.875 [123,8]	5.125 [130,2]			6.500 [165,1]	6.625 [168,3]				
3" (DN80)	5.375 [136,5]	5.875 [149,2]	6.625 [168,3]	6.875 [174,6]	7.750 [196,9]					
4" (DN100)	6.875 [174,6]	7.125 [181,0]	7.625 [193,7]	8.125 [206,4]	8.250 [209,6]	9.250 [235,0]				
5" (DN125)	7.750 [196,9]	8.500 [215,9]	9.500 [241,3]	9.750 [247,7]	10.000 [254,0]	11.000 [279,4]				
6" (DN150)	8.750 [222,3]	9.875 [250,8]	10.500 [266,7]	11.375 [288,9]	11.125 [282,6]	12.500 [317,5]				
8" (DN200)	11.000 [279,4]	12.125 [308,0]	12.625 [320,7]	14.125 [358,8]	13.875 [352,4]	15.250 [387,4]				
10" (DN250)	13.375 [339,7]	14.250 [362,0]	15.750 [400,1]	17.125 [435,0]	17.125 [435,0]	18.750 [476,3]				
12" (DN300)	16.125 [409,6]	16.625 [422,3]	18.000 [457,2]	19.625 [498,5]	20.500 [520,7]	NOT AVAILABLE				
14" (DN350)	17.750 [450,9]	19.125 [485,8]	19.375 [492,1]	20.500 [520,7]	22.750 [577,9]	0.25 [6,4]				
16" (DN400)	20.250 [514,4]	21.250 [539,8]	22.250 [565,2]	22.625 [574,7]	25.250 [641,4]	0.37 [9,4]				
18" (DN450)	21.500 [546,1]	23.375 [593,7]	24.000 [609,6]	25.000 [635,0]	27.625 [701,7]	NOT AVAILABLE				
20" (DN500)	23.750 [603,3]	25.625 [650,9]	26.750 [679,5]	27.375 [695,3]	29.625 [752,5]	0.11 [2,8]				
24" (DN600)	28.125 [714,4]	30.375 [771,5]	31.000 [787,4]	32.875 [835,0]	35.500 [901,7]	0.25 [6,4]				
26" (DN650)	30.375 [771,5]	32.750 [831,9]	34.000 [863,6]			0.37 [9,4]				
28" (DN700)	32.625 [828,7]	35.250 [895,4]	35.875 [911,2]	NOT AVAILABLE	NOT AVAILABLE	0.50 [12,7]				
30" (DN750)	34.625 [879,5]	37.375 [949,3]	38.125 [968,4]			0.50 [12,7]				

TABLE 3: DIMENSIONS OF ORIFICE PLATES FOR EN1092-1 RAISED FACE FLANGES

LINE SIZE	ORIFICE PLATE DIAMETER ('A' DIMENSION)						HANDLE DIMENSIONS			PLATE THICKNESS		
	BY FLANGE CODE						E (MIN)	B	C	D		
	D1 (PN 10)	D2 (PN 16)	D3 (PN 25)	D4 (PN 40)	D5 (PN 64)	D6 (PN 100)						
1/2" (DN15)		2.09 [53,0]			2.48 [63,0]	0.11 [2,8]	4.0 [100]	1.0 [25]	0.10 [2,5]			
3/4" (DN20)		2.48 [63,0]			2.91 [74,0]							
1" (DN25)		2.87 [73,0]			3.31 [84,0]							
1-1/2" (DN40)		3.70 [94,0]			4.13 [105,0]							
2" (DN50)		4.21 [107]		4.45 [113]	4.69 [119]							
2-1/2" (DN65)		5.00 [127]		5.43 [138]	5.67 [144]							
3" (DN80)		5.59 [142]		5.83 [148]	6.06 [154]							
4" (DN100)	6.38 [162]		6.61 [168]	6.85 [174]	7.09 [180]							
5" (DN125)	7.56 [192]		7.64 [194]	8.27 [210]	8.54 [217]							
6" (DN150)	8.58 [218]		8.82 [224]	9.72 [247]	10.12 [257]							
8" (DN200)	10.75 [273]	11.18 [284]	11.42 [290]	12.17 [309]	12.76 [324]							
10" (DN250)	12.91 [328]	12.95 [329]	13.39 [340]	13.86 [352]	14.33 [364]	0.11 [2,8]	6.3 [160]	1.5 [38]	0.16 [4,0]			
12" (DN300)	14.88 [378]	15.12 [384]	15.75 [400]	16.42 [417]	16.69 [424]	18.03 [458]						
14" (DN350)	17.24 [438]	17.48 [444]	17.99 [457]	18.66 [474]	19.13 [486]	20.16 [512]						
16" (DN400)	19.25 [489]	19.49 [495]	20.24 [514]	21.50 [546]	21.38 [543]	22.52 [572]						
18" (DN450)	21.22 [539]	21.85 [555]	22.24 [565]	22.48 [571]	NOT AVAILABLE							
20" (DN500)	23.39 [594]	24.29 [617]	24.57 [624]	24.72 [628]	25.87 [657]	27.72 [704]						
24" (DN600)	27.36 [695]	28.90 [734]	28.78 [731]	29.41 [747]	30.08 [764]	32.01 [813]						
26" (DN650)						0.24 [6,0]						
28" (DN700)	31.89 [810]	31.65 [804]	32.80 [833]	33.54 [852]	34.61 [879]	37.40 [950]				0.22 [5,6]	8.0 [200]	0.32 [8,0]
30" (DN750)						0.24 [6,0]						

©2015 ROSEMOUNT, INC.
ROSEMOUNT, INC. ACCEPTS
THESE DRAWINGS AS VALID
IN ACCORDANCE WITH
ROSEMOUNT ENGINEERING
SPECIFICATIONS.
UNIT NOTES IN INCHES (mm).

REFERENCE ROSEMOUNT
PRODUCT SPECIFICATIONS.
CLICK HERE

DR. DMK 11/13/03 DRAWING NO. 01495-1001
APP'D K. Green 12/20/03
CAD MAINTAINED (PRO/E) SHEET 2 OF 4

3RD ANGLE

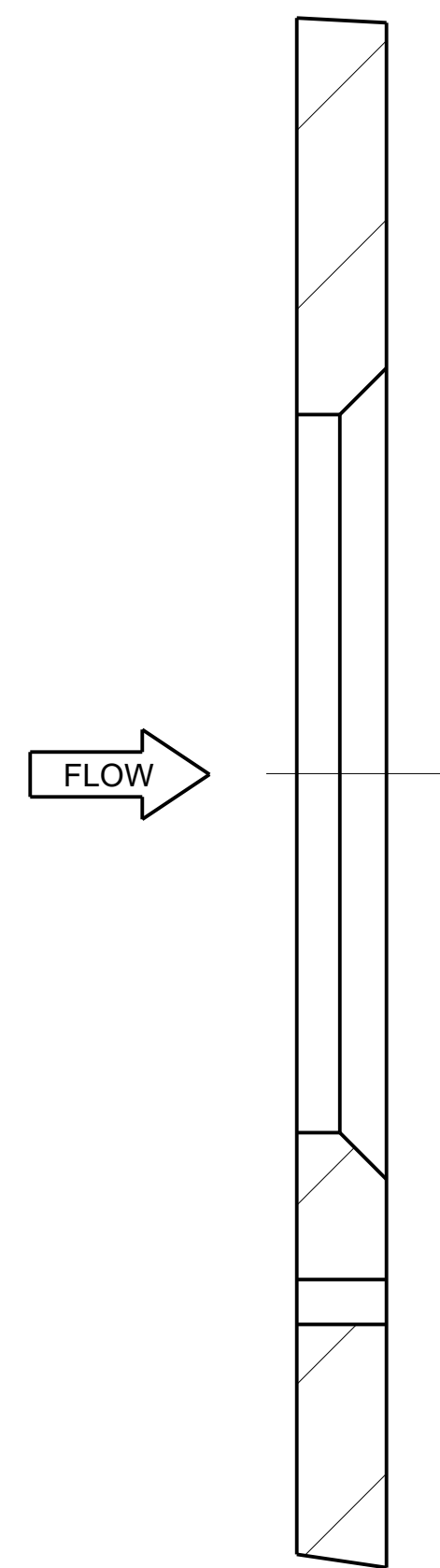
EMERSON

TITLE ROSEMOUNT 1495P
TYPE I DRAWING

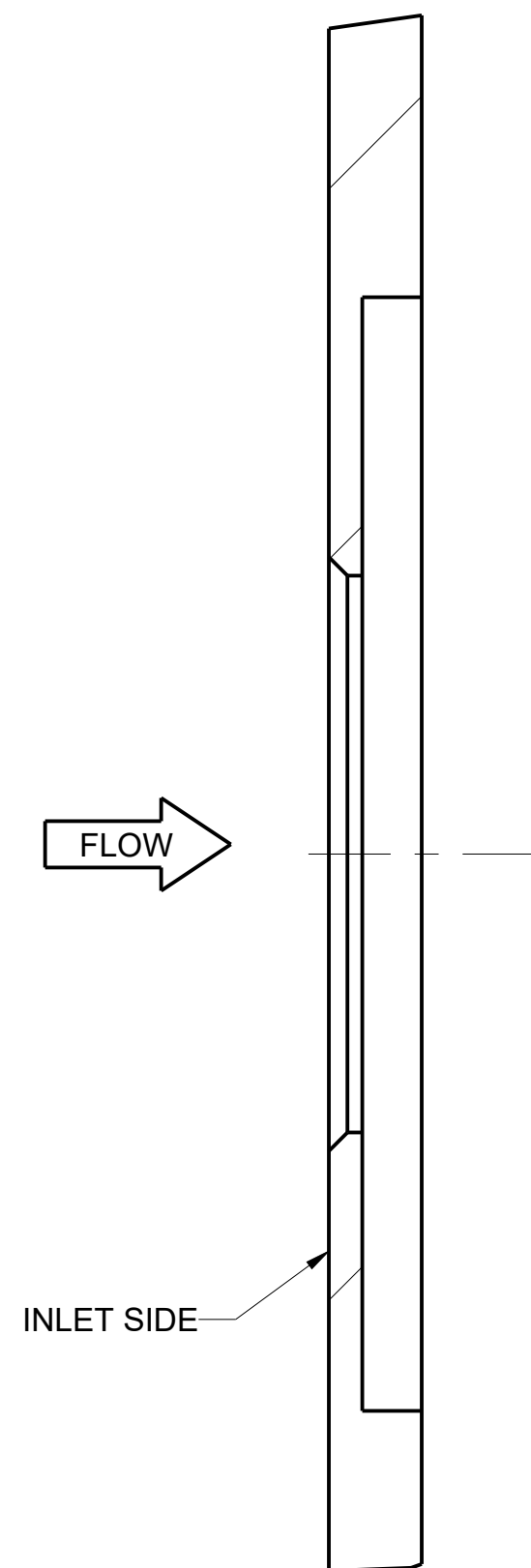
SIZE D SCALE NTS

TABLE 4 CONICAL ENTRANCE BORE MAXIMUM PERMITTED BORE DIAMETER	
NOMINAL THICKNESS	MAX BORE ($\varnothing d_m$)
1/8" [3]	1.09 [27.7]
1/4" [6]	2.09 [53.1]
3/8" [10]	3.28 [83.3]
1/2" [12]	4.47 [113.5]

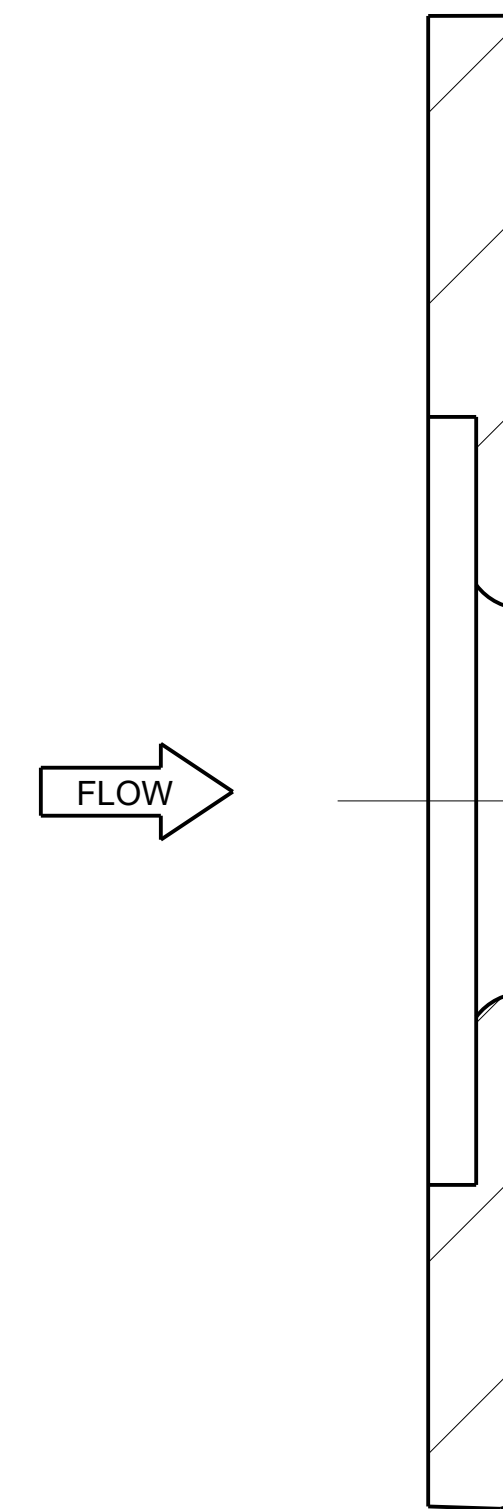
TABLE 5 1495 QUADRANT EDGE ORIFICE PLATE THICKNESS REQUIREMENTS (PER ISO/TR 15377-2007)												
BETA	ORIFICE PLATE BORE											
	0.75 [19,1]	1.00 [25,4]	1.25 [31,8]	1.50 [38,1]	1.75 [44,5]	2.00 [50,8]	2.50 [63,5]	3.00 [76,2]	3.50 [88,9]	4.00 [101,6]	4.50 [114,3]	> 4.50 [114,3]
Beta <= 0.30												
Beta <= 0.35												
Beta <= 0.40	N/A											
Beta <= 0.45		1/4" [6]	1/4" [6]	1/4" [6]	1/4" [6]							
Beta <= 0.50						3/8" [10]						
Beta <= 0.55	1/8" [3]				3/8" [10]			1/2" [12]				
Beta <= 0.60	1/4" [6]		3/8" [10]	3/8" [10]		1/2" [12]		n/a	n/a	n/a	n/a	n/a



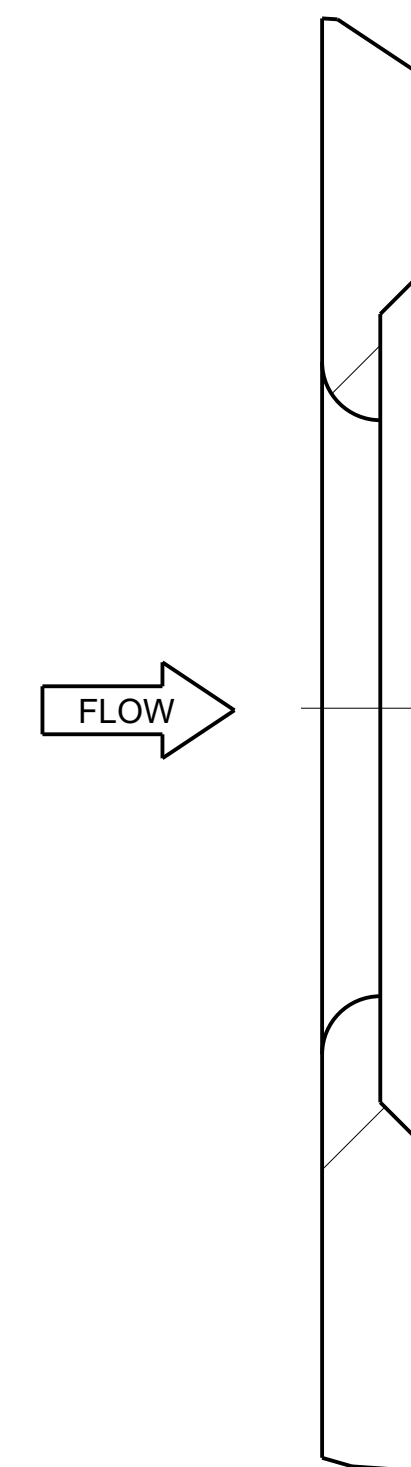
CONCENTRIC
SQUARE-EDGED
BORE DETAIL



CONICAL ENTRANCE
BORE DETAIL

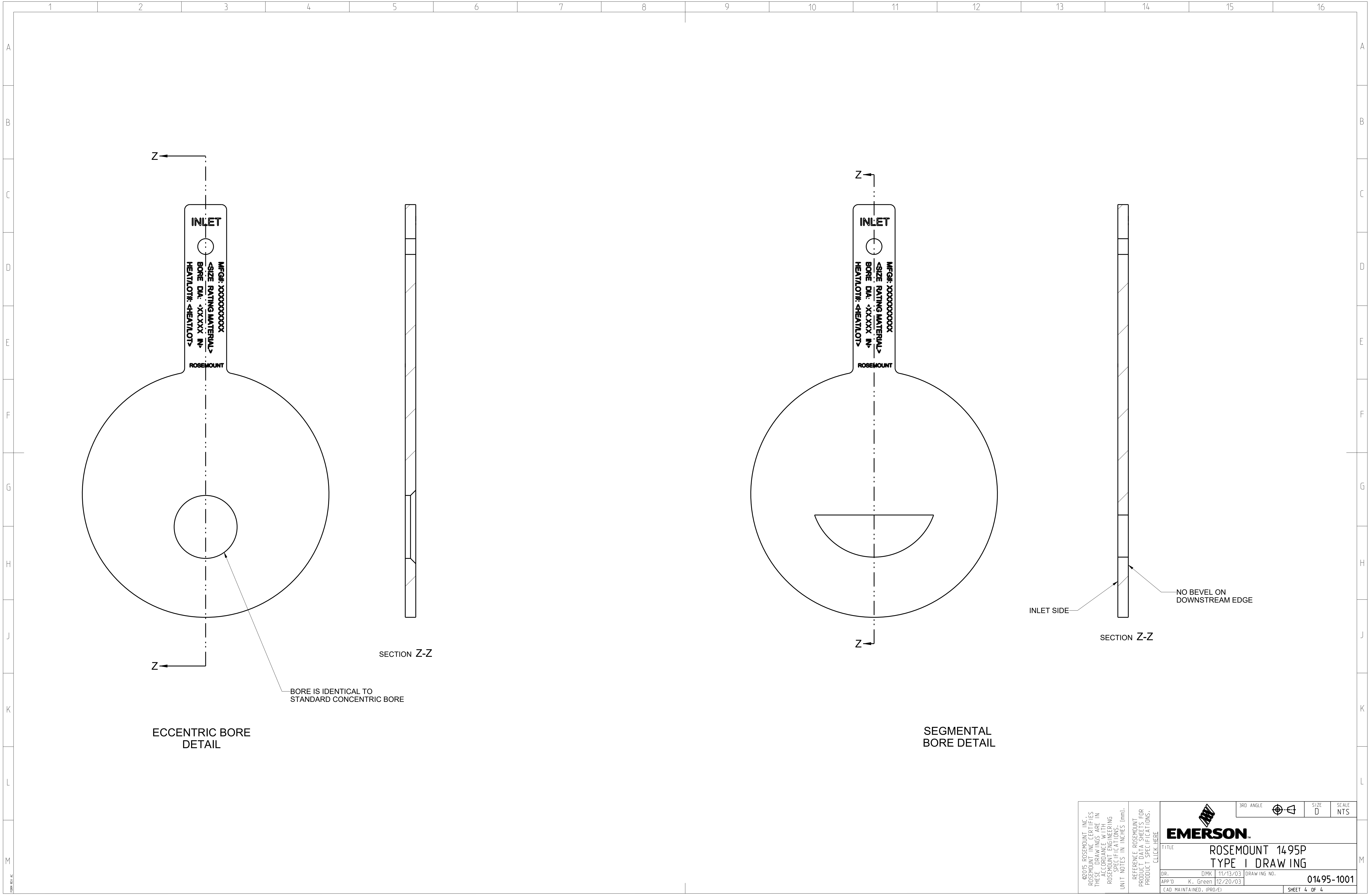


QUADRANT EDGE
BORE DETAIL FOR
BETA > 0.571



QUADRANT EDGE
BORE DETAIL FOR
BETA <= 0.571

©2015 ROSEMOUNT, INC. ALL RIGHTS RESERVED. THIS DRAWING IS THE PROPERTY OF ROSEMOUNT, INC. AND IS TO BE USED ONLY FOR THE PROJECT AND SPECIFICATIONS FOR WHICH IT WAS PREPARED. NO PART OF THIS DRAWING IS TO BE REPRODUCED OR TRANSMITTED IN ANY FORM OR BY ANY MEANS, ELECTRONIC OR MECHANICAL, INCLUDING PHOTOCOPYING, RECORDING, OR BY ANY INFORMATION STORAGE AND RETRIEVAL SYSTEM, WITHOUT PERMISSION IN WRITING FROM ROSEMOUNT, INC.	3RD ANGLE		SIZE D	SCALE NTS
	EMERSON			
	TITLE ROSEMOUNT 1495P TYPE I DRAWING			
	DR. DMK 11/13/03 DRAWING NO. APP'D K. Green 12/20/03 CAD MAINTAINED: (PRO/E)	01495-1001		



Z ←

INLET
 MFG#: XXXXXXXXXXXX
 <SIZE RATING MATERIAL>
 BORE DIA: XX.XXX IN
 HEAVILOT: <HEAVILOT>
ROSEMOUNT

SECTION Z-Z

BORE IS IDENTICAL TO
 STANDARD CONCENTRIC BORE

**ECCENTRIC BORE
 DETAIL**

Z ←

Z ←

INLET
 MFG#: XXXXXXXXXXXX
 <SIZE RATING MATERIAL>
 BORE DIA: XX.XXX IN
 HEAVILOT: <HEAVILOT>
ROSEMOUNT

SECTION Z-Z

INLET SIDE

NO BEVEL ON
 DOWNSTREAM EDGE

**SEGMENTAL
 BORE DETAIL**

Z ←

©2015 ROSEMOUNT, INC. ALL RIGHTS RESERVED. THIS DRAWING IS THE PROPERTY OF ROSEMOUNT ENGINEERING. UNLESS OTHERWISE SPECIFIED, ALL DIMENSIONS ARE IN INCHES (MILLIMETERS).

REFERENCE ROSEMOUNT PRODUCT SPECIFICATIONS FOR PRODUCT SPECIFICATIONS. CLICK HERE

DR. DMK 11/13/03 DRAWING NO. 01495-1001

APP'D K. Green 12/20/03

CAD MAINTAINED: (PRO/EI) SHEET 4 OF 4

EMERSON

TITLE **ROSEMOUNT 1495P
 TYPE I DRAWING**

3RD ANGLE

SIZE D SCALE NTS