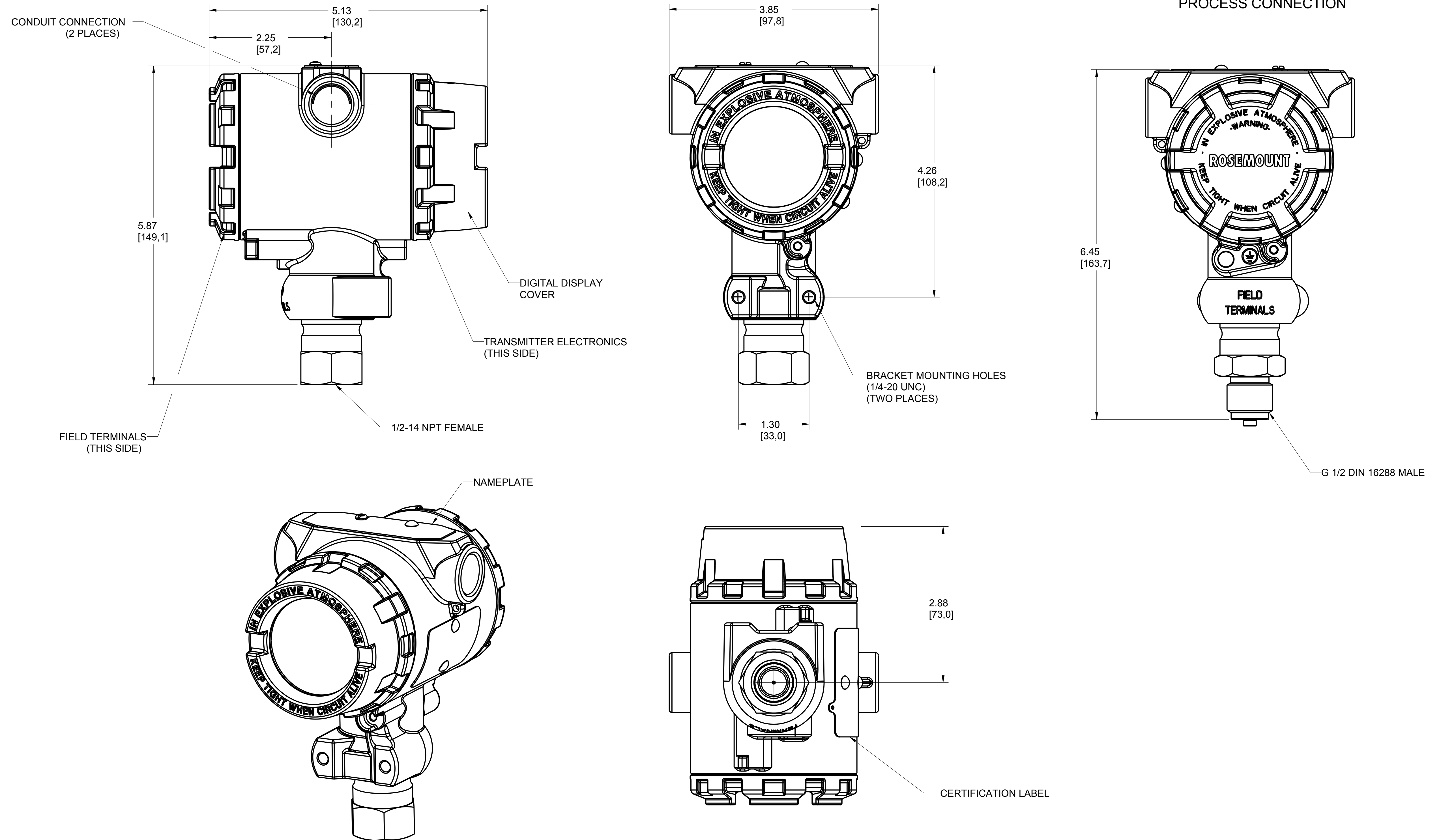


ROSEMOUNT 2051G IN-LINE PRESSURE TRANSMITTER

| REVISION TABLE | | | |
|----------------|------------|------------|---------|
| REVISION | ECO NO. | APP'D | DATE |
| AA | RTC1068235 | A. WAGENER | 5/25/17 |
| DESCRIPTION | | | |
| NEW RELEASE | | | |

SHOWN WITH OPTIONAL DIGITAL DISPLAY

G 1/2 A DIN 16288 MALE
PROCESS CONNECTION



©2015 ROSEMOUNT INC.
ROSEMOUNT INC. CERTIFIES
THIS DRAWING TO BE IN
ACCORDANCE WITH
ROSEMOUNT ENGINEERING
SPECIFICATIONS.
UNIT NOTES IN INCHES (mm).

EMERSON

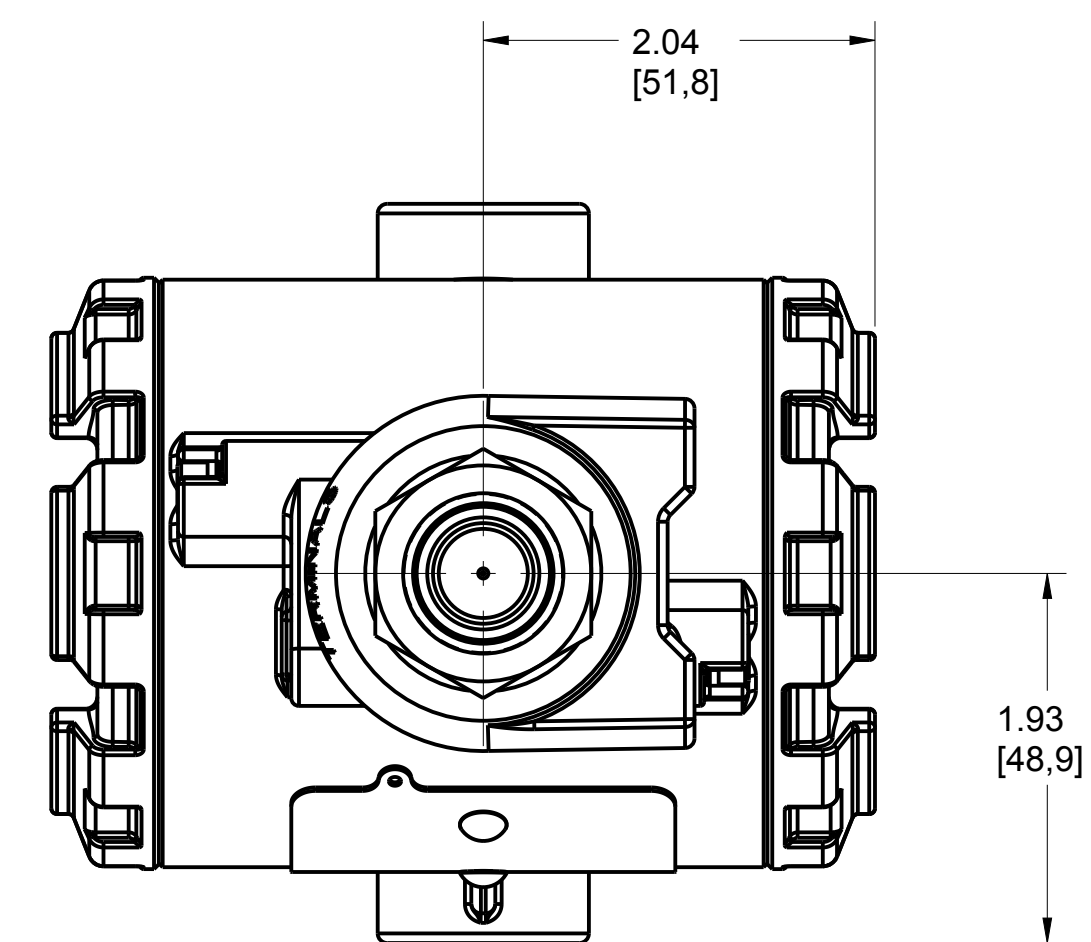
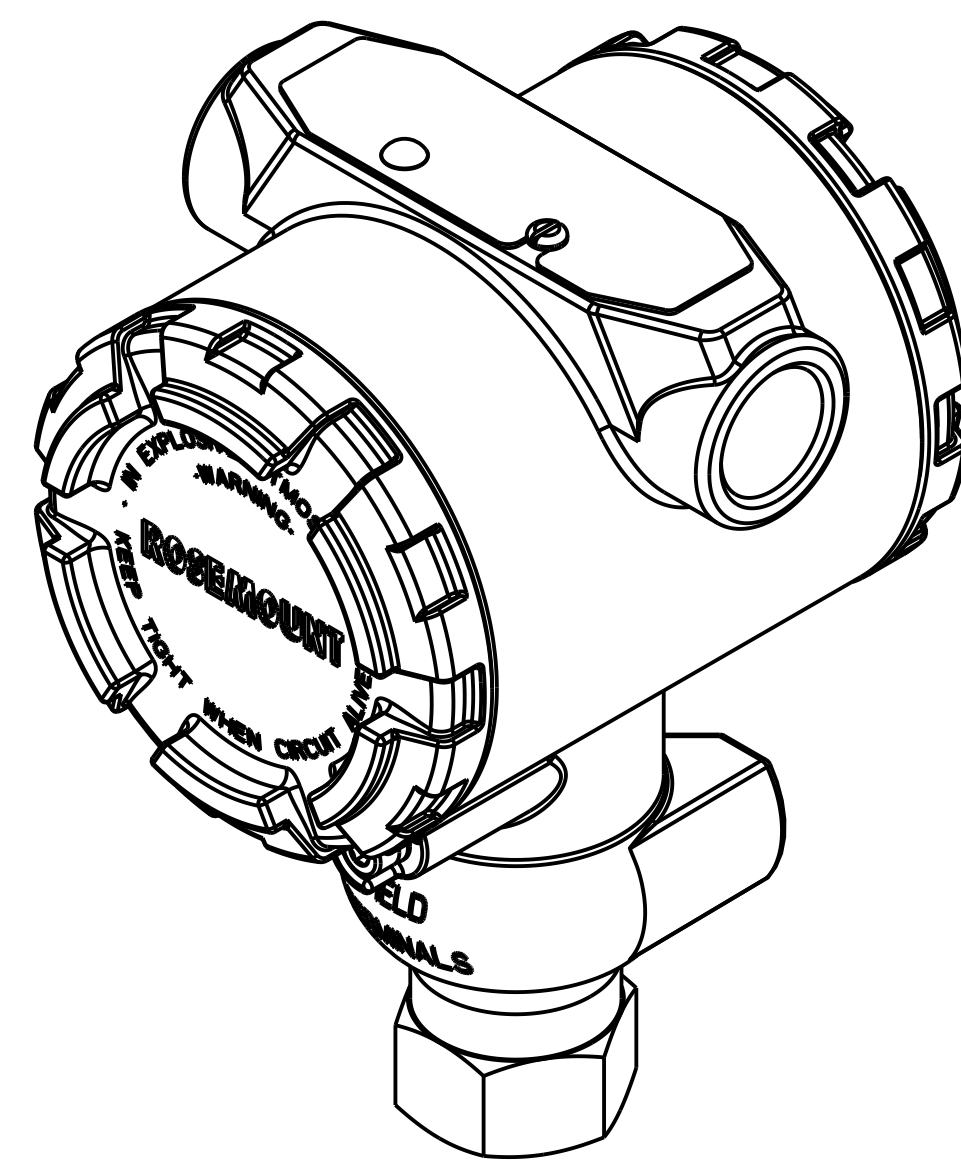
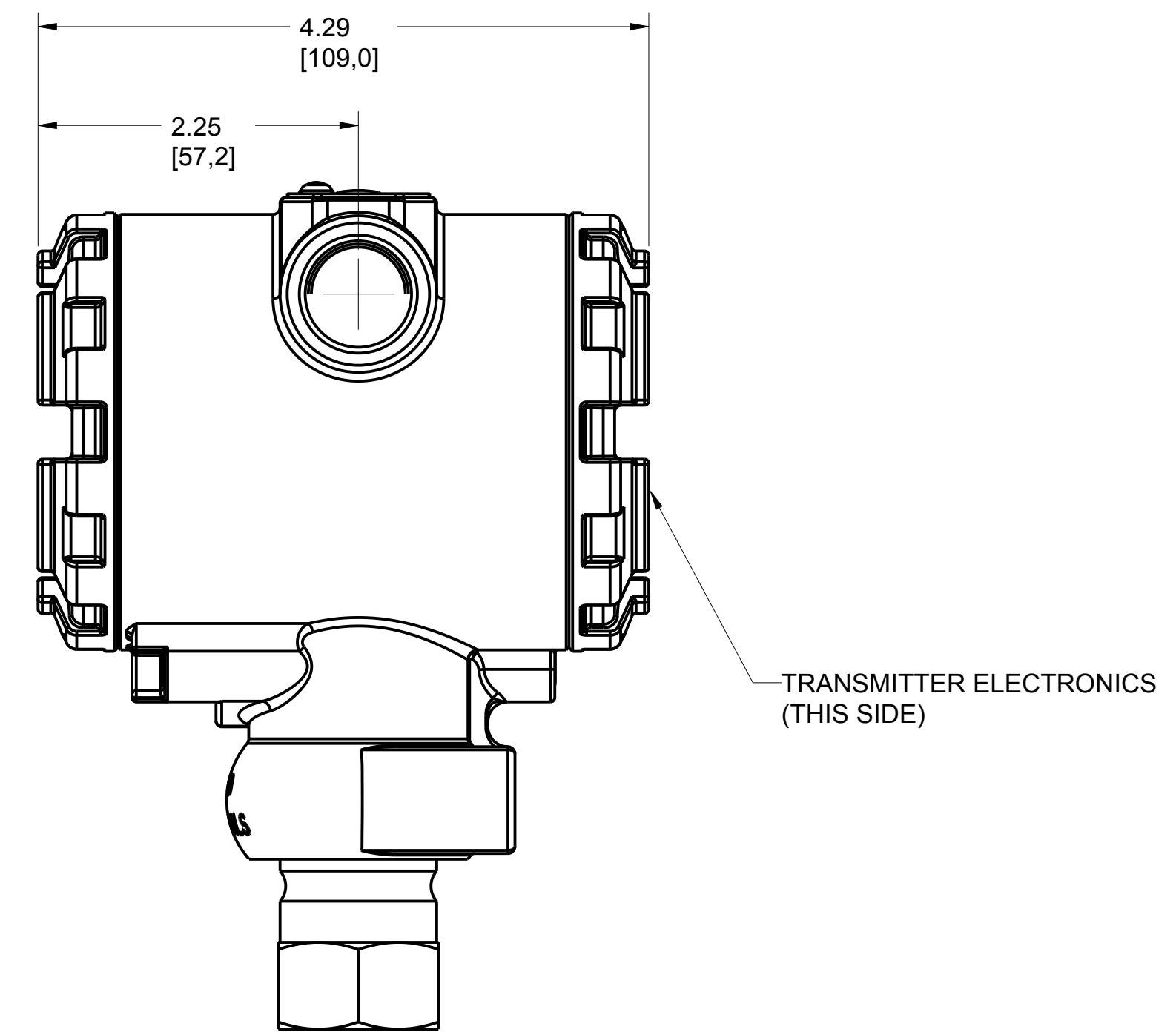
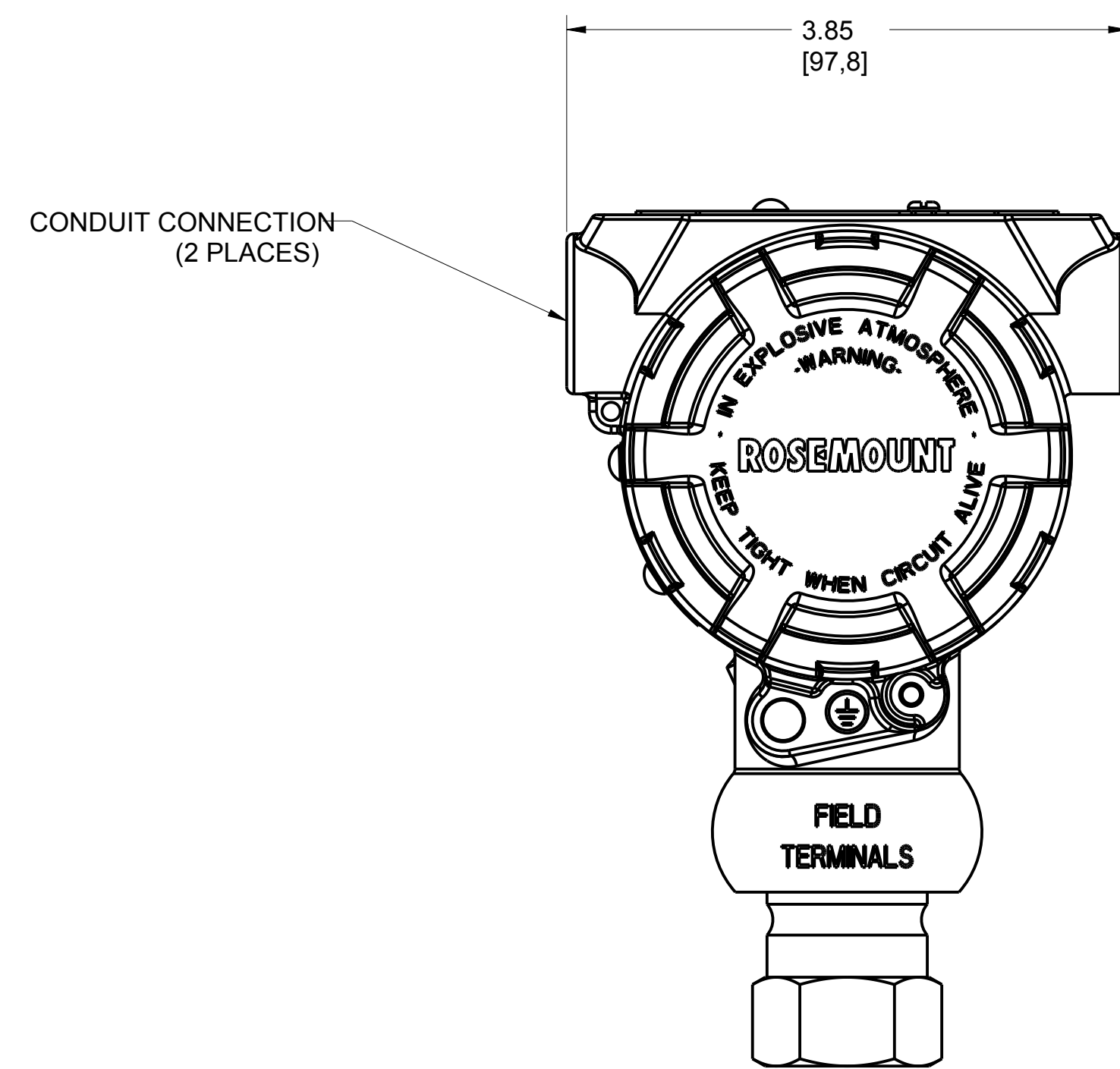
TITLE
**ROSEMOUNT 2051G
TYPE I DRAWING**

DR. J. L. ARMSTRONG 5/21/17 DRAWING NO. 02051-7000
APP'D A. WAGENER 5/21/17

CAD MAINTAINED, (PROE) SHEET 1 OF 3

ROSEMOUNT 2051G IN-LINE PRESSURE TRANSMITTER

SHOWN WITHOUT OPTIONAL DIGITAL DISPLAY

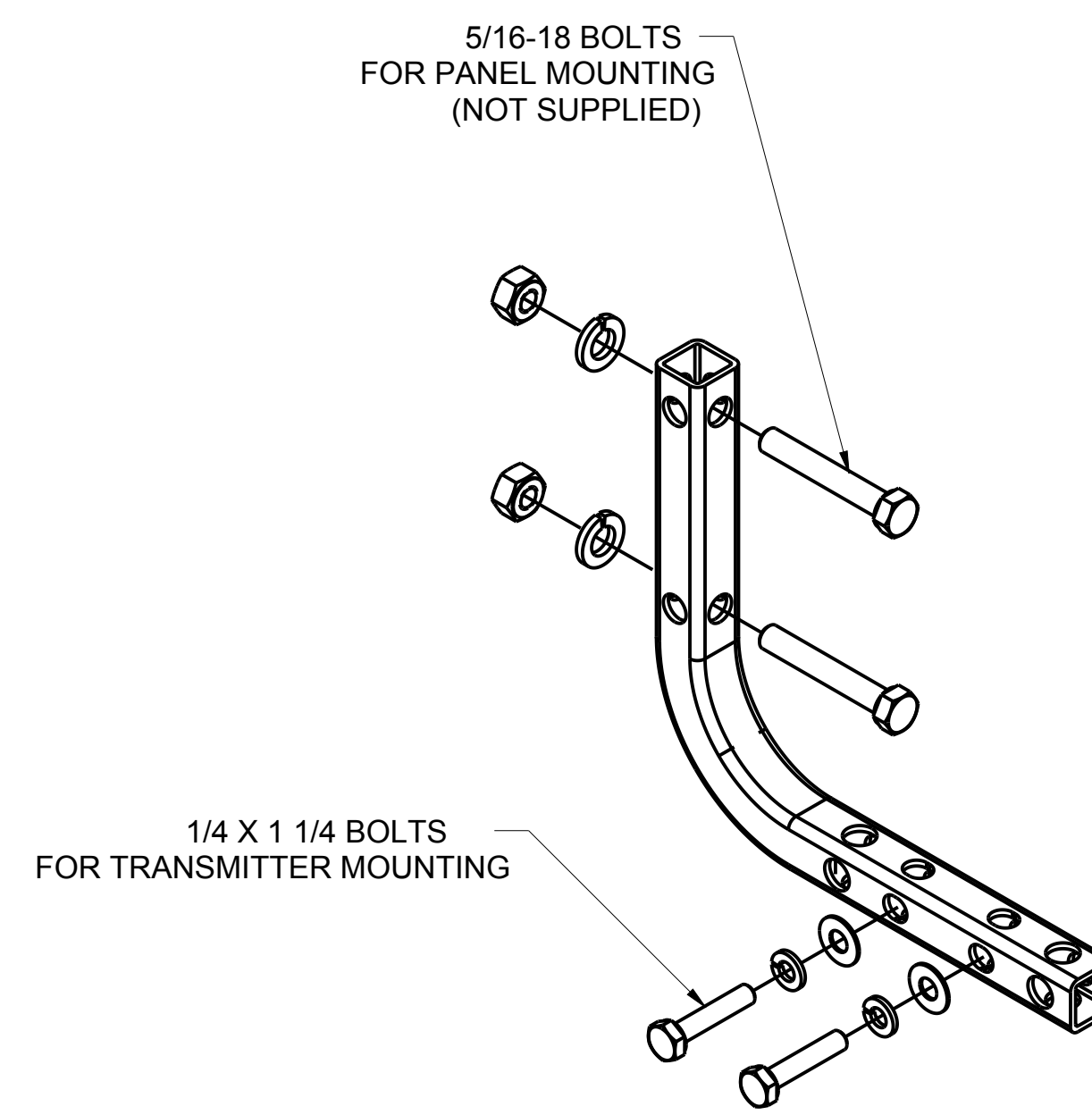
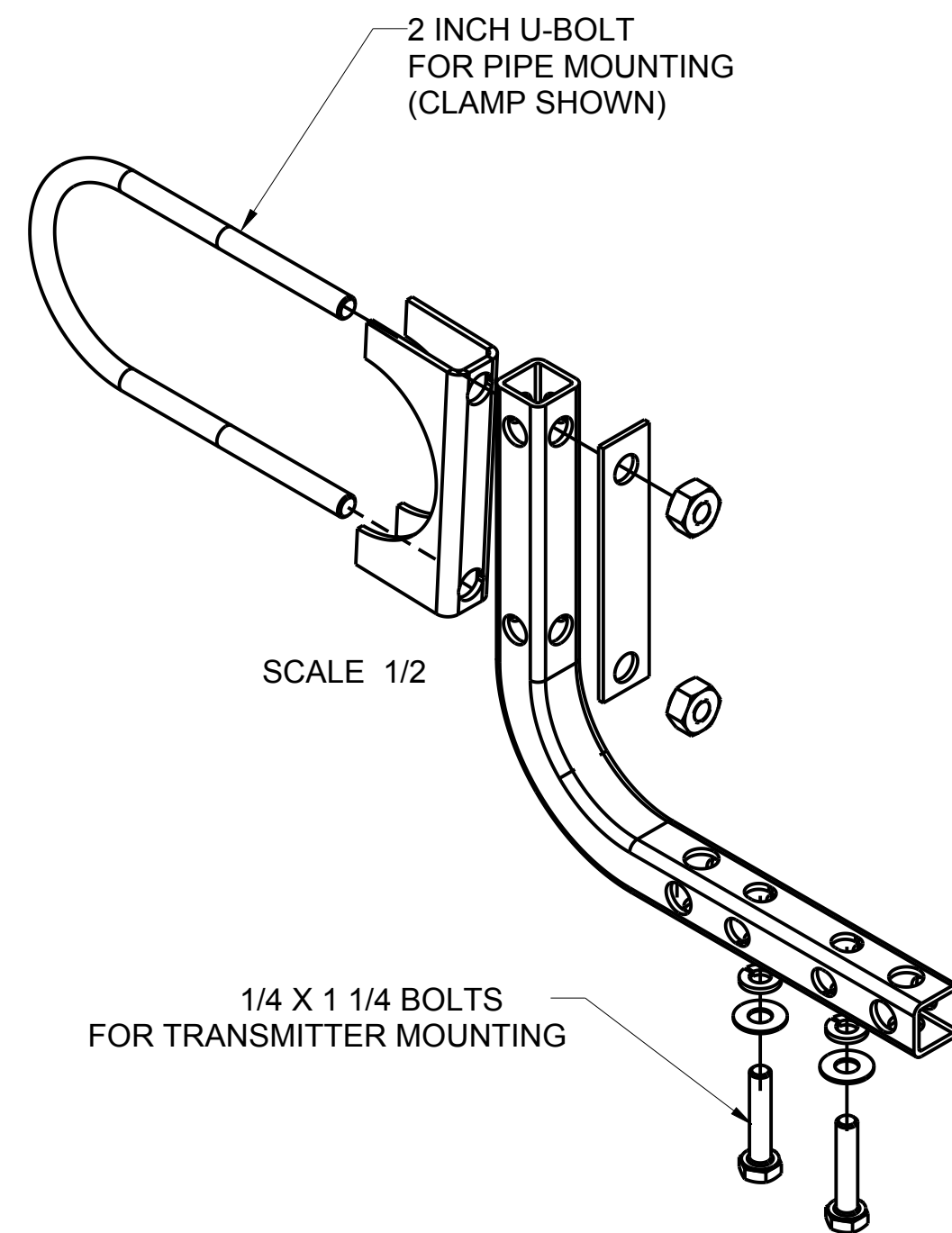
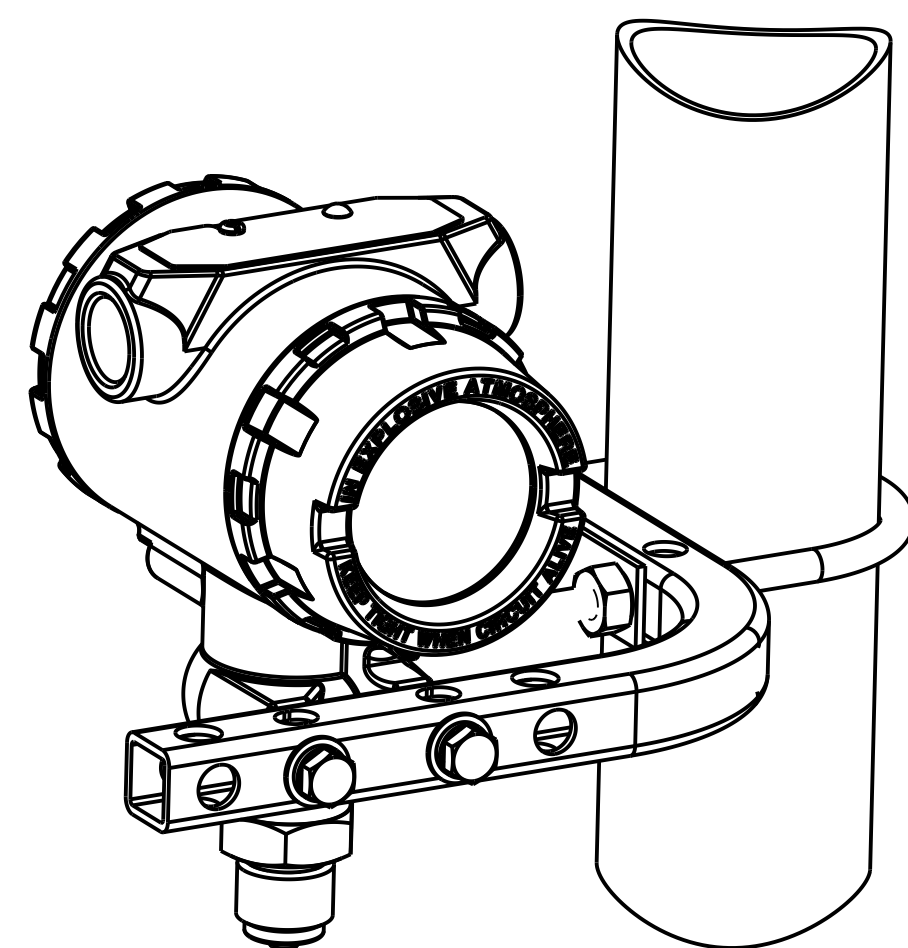
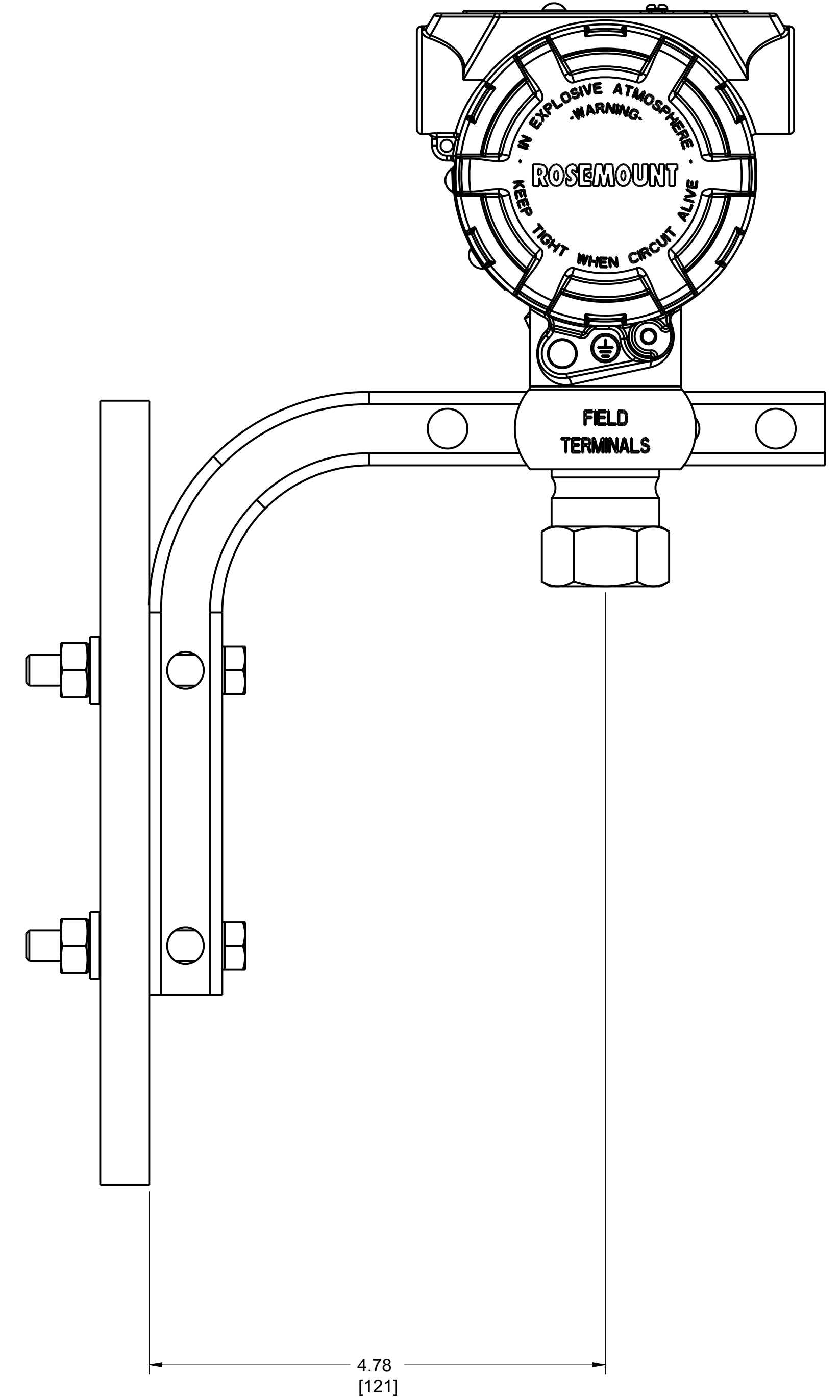
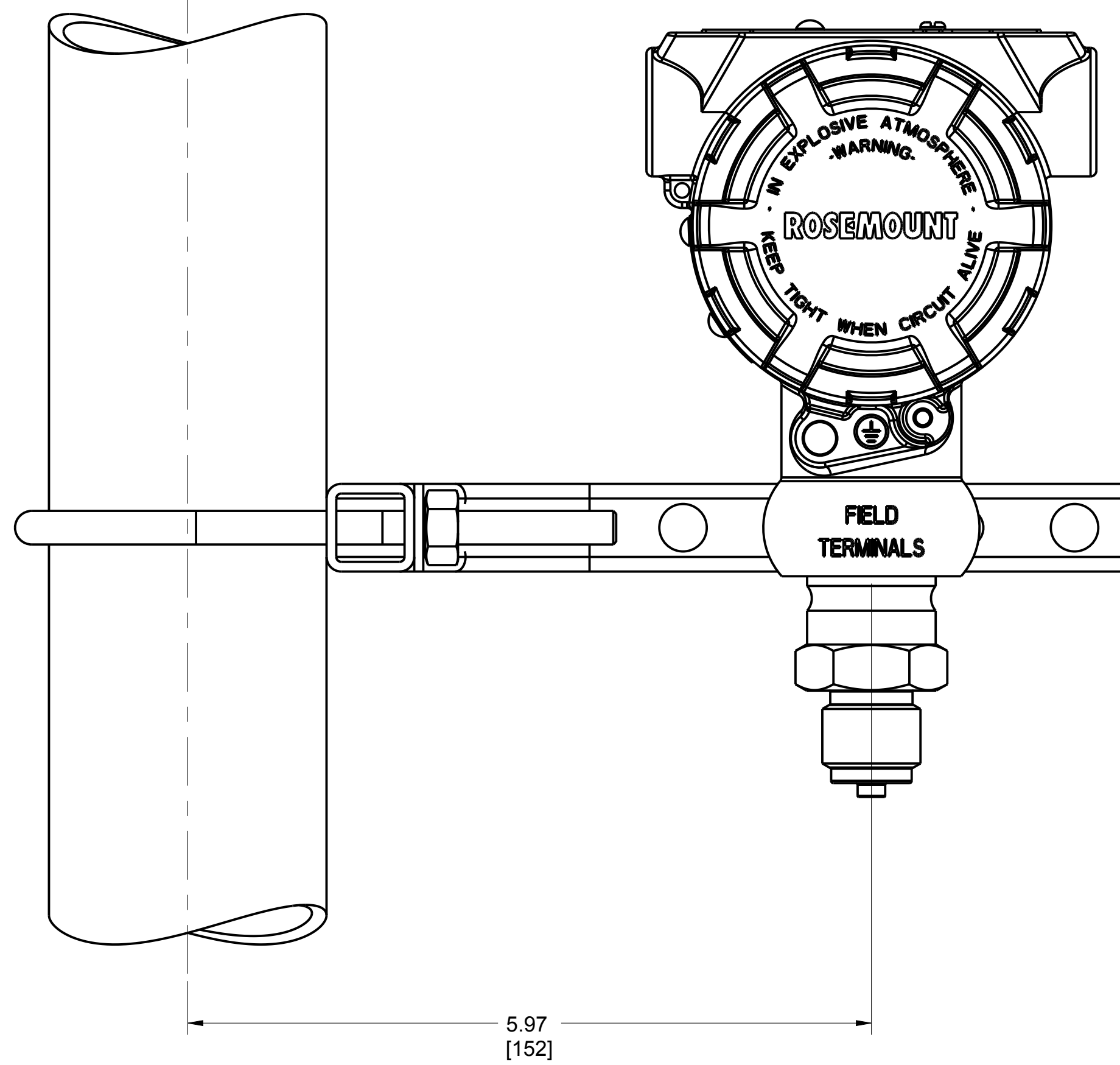
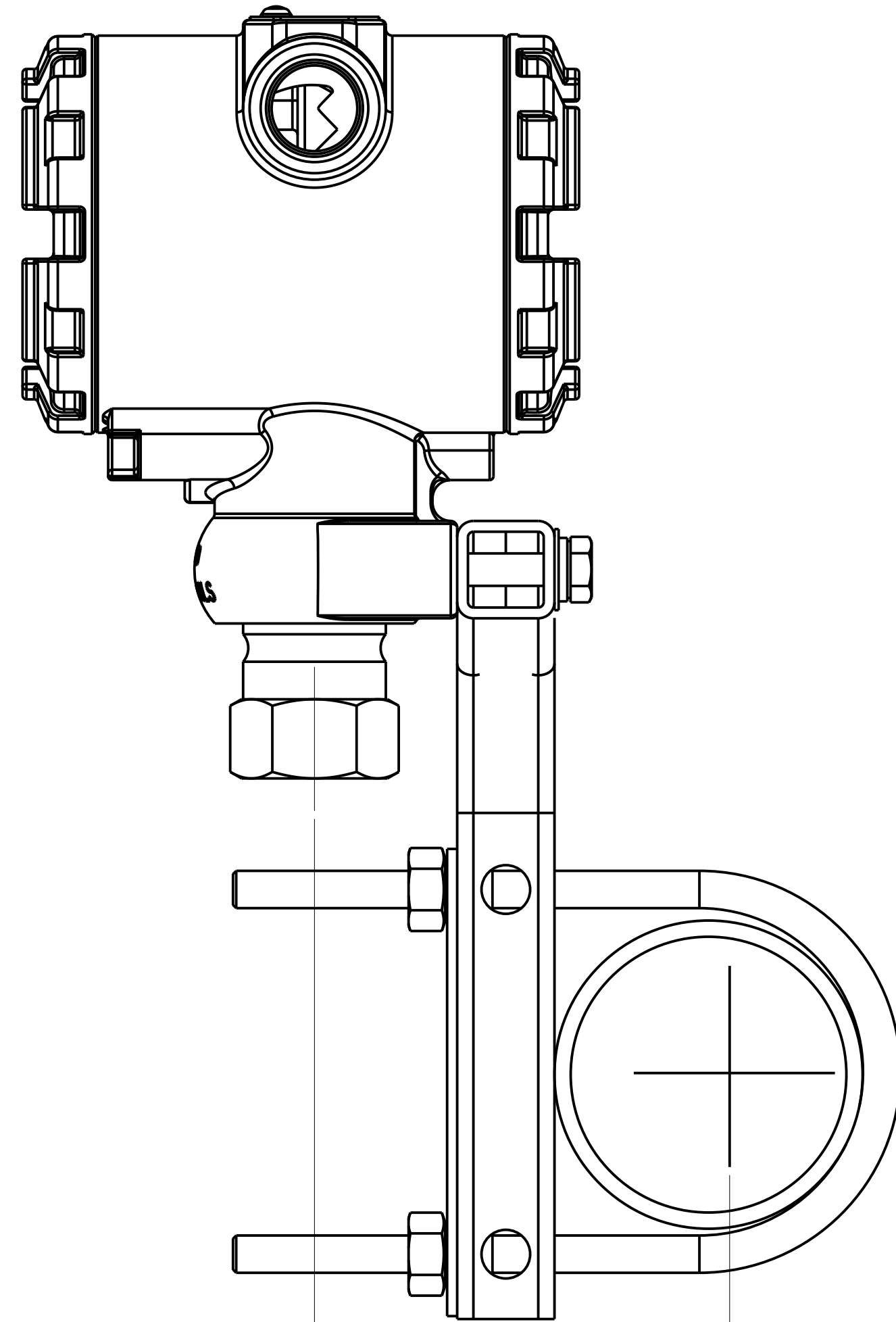


| | | | |
|--|---|--------------------|----------------------------------|
| ©2015 ROSEMOUNT INC. ROSEMOUNT INC. CERTIFIES THIS DRAWING TO BE IN ACCORDANCE WITH ROSEMOUNT ENGINEERING SPECIFICATIONS. UNIT NOTES IN INCHES (mm). REFERENCE ROSEMOUNT PRODUCT SPECIFICATIONS. CLICK HERE | 3RD ANGLE | SIZE D | SCALE NTS |
| | | | |
| | TITLE ROSEMOUNT 2051G TYPE I DRAWING | | |
| | DR. J. L. ARMSTRONG APP'D A. WAGENER | 5/21/17 5/21/17 | DRAWING NO. 02051-7000 |
| CAD MAINTAINED, (PROE) | | SHEET 2 OF 3 | |

ROSEMOUNT 2051G IN-LINE PRESSURE TRANSMITTER
MOUNTING CONFIGURATIONS WITH OPTIONAL MOUNTING BRACKET

PIPE MOUNTING

PANEL MOUNTING



| | | | |
|--|---|--------------------|----------------------------------|
| ©2015 ROSEMOUNT INC. ROSEMOUNT INC. CERTIFIES THIS DRAWING IS MADE IN ACCORDANCE WITH ROSEMOUNT ENGINEERING SPECIFICATIONS. UNIT NOTES IN INCHES (mm). REFERENCE ROSEMOUNT PRODUCT SPECIFICATIONS. CLICK HERE | 3RD ANGLE | SIZE D | SCALE NTS |
| | EMERSON | | |
| | TITLE ROSEMOUNT 2051G TYPE I DRAWING | | |
| | DR. J. L. ARMSTRONG APP'D A. WAGENER | 5/21/17 5/21/17 | DRAWING NO. 02051-7000 |